

28Q700 to 28Q799

Illustrated Parts List

Model Series

28Q700 to 28Q799

TYPE NUMBERS

0026, 0101, 0102,
0112, 0116, 0117,
0128, 0129, 0136,
0139, 0140, 0144,
0148 through 0156,
0164 through 0168,
0526, 0536, 0602,

TYPE NUMBERS

0612 through 0627,
0630, 0636, 0639,
0641 through 0647,
0650, 0655, 0656,
0662 through 0668,
0670 through 0681,
0687, 0688, 0690,
0691, 0692.

TO FIND

**THE CORRECT NUMBER OF THE PART YOU NEED:
FOLLOW THE INSTRUCTIONS BELOW**

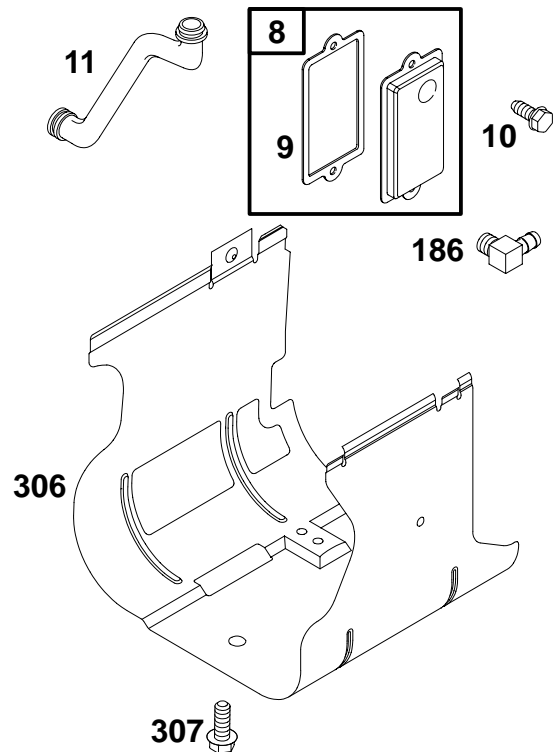
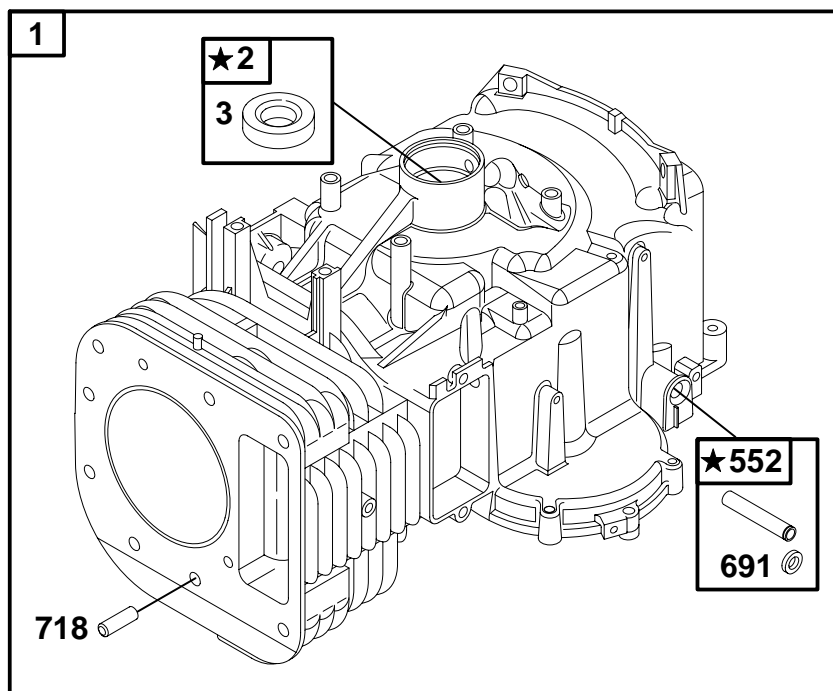
- A. Refer to Engine Model, Type and Code Number that is stamped on the blower housing of engine. Engine type numbers such as 0123 01 are listed only as 0123 in most instances. The two digits (01 or 02, etc.) to the right of the space may be required for more accurate parts identification in some instances. Select the Illustrated Parts List covering the correct Model Series and Type Number.
- B. Refer to the Illustrations and compare the original part with Illustration. The number next to the illustration is the Reference Number. Assemblies include all parts shown in frames. All parts shown in assembly frames having individual reference numbers can be purchased separately.
- C. After the Reference Number has been identified, refer to the Numerical text, where Reference and Primary Part Number are listed. **THE PRIMARY PART IS USED ON ALL TYPE NUMBERS EXCEPT THOSE TYPE NUMBERS UNDER "NOTE."**
- D. If a "Note" appears below the Primary Part Number, it means that this part differs from the Primary Part for certain types. If your Type number is listed under "Note," order the part referred to at the "Note."
- E. If your Engine Type Number does not appear after any part number listed under "Note," use the Primary Part Number.
- F. For Engine Type Numbers not covered by this book, check other Parts Lists having the same engine model or contact your source of supply.

PRINTED IN U.S.A.



COPYRIGHT by BRIGGS & STRATTON CORPORATION
All rights reserved. No part of this material may be reproduced or transmitted, in any form or by any means, electronic or mechanical, including photocopying, recording or by any information storage and retrieval system, without permission in writing from Briggs & Stratton Corporation.

28Q700 to 28Q799



★ **REQUIRES SPECIAL TOOLS TO INSTALL. SEE REPAIR INSTRUCTION MANUAL.**

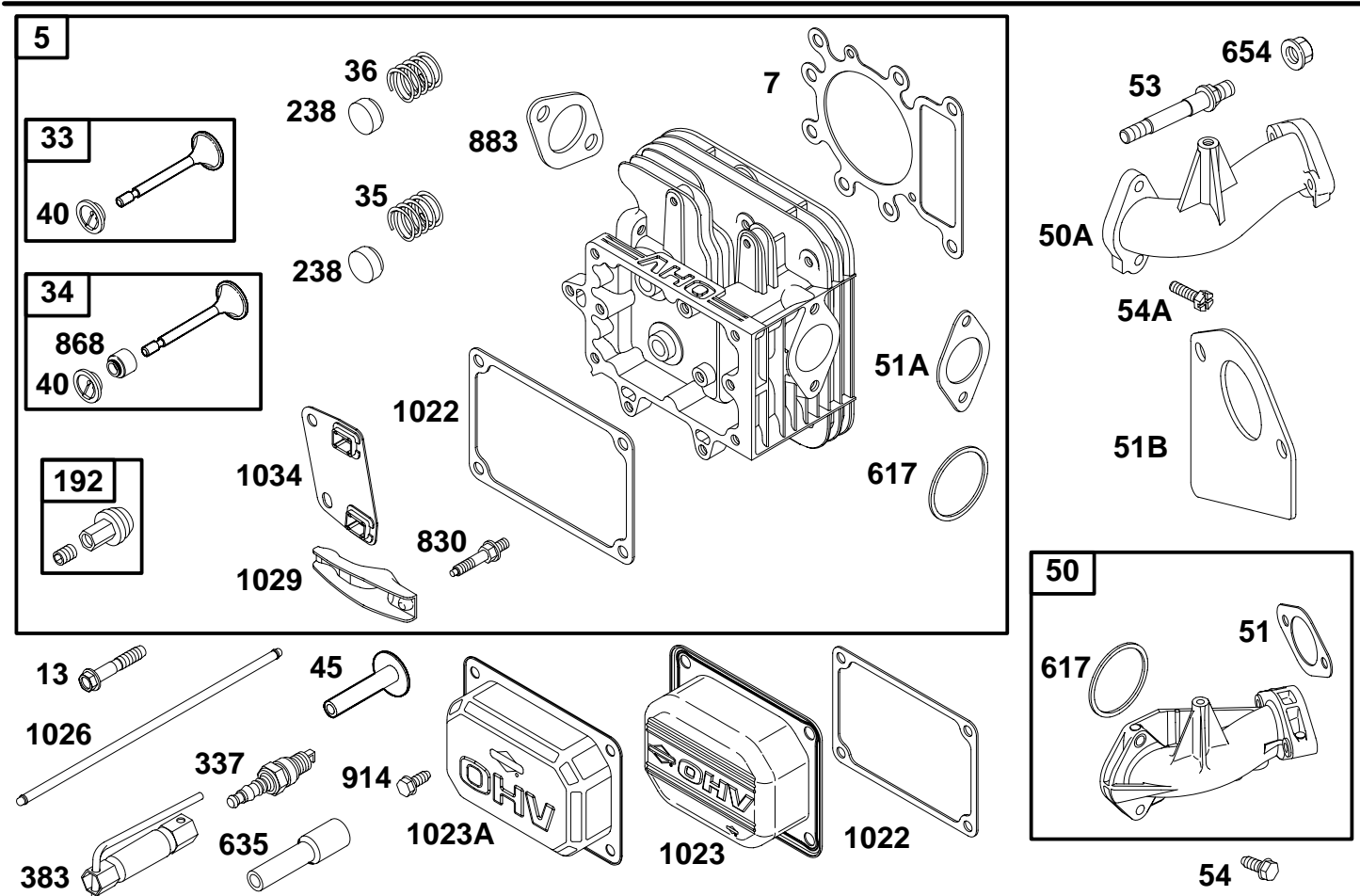
1019 LABEL KIT

1058 OWNER'S MANUAL

REF. NO.	PART NO.	DESCRIPTION	REF. NO.	PART NO.	DESCRIPTION	REF. NO.	PART NO.	DESCRIPTION
1	496412	Cylinder Assembly	9	★27803	Gasket-Breather	691	★491323	Seal-Governor Shaft
2	399265	Kit-Bushing/Seal	10	691666	Screw	718	230192	Pin-Locating
3	★391086	Seal-Oil (Magneto Side)	11	691328	Tube-Breather	1019	496758	Kit-Label
8	495735	Breather Assembly	186	67218	Connector-Hose (Vacuum Line)	1058	274789	Owner's Manual (Emission Engines)
		Note	306	690499	Shield-Cylinder			Note
		495734 Breather Assembly	307	94930	Screw (Cylinder Shield)			272904 Owner's Manual (Non Emission Engines)
		Used on Type No(s). 0026, 0112, 0139, 0140, 0144, 0151, 0156, 0165, 0526, 0536, 0612, 0631, 0639, 0641, 0642, 0645, 0647, 0656, 0670, 0675, 0676, 0678, 0688, 0691, 0692.	552	491986	Bushing-Governor Crank			

★ Included in Gasket Set-Ref. No. 358.
 Δ Included in Valve Overhaul Kit-Ref. No.1033.

◆ Included in Carburetor Gasket Set-Ref. No. 977.
 ● Included in Carburetor Overhaul Kit-Ref. No.121.

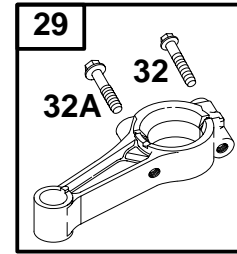
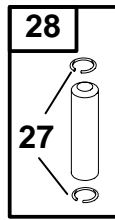
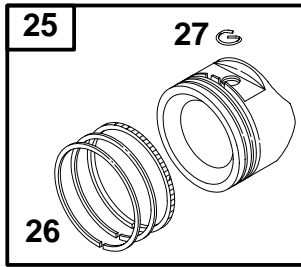


REF. NO.	PART NO.	DESCRIPTION	REF. NO.	PART NO.	DESCRIPTION	REF. NO.	PART NO.	DESCRIPTION
5	691165	Head-Cylinder (Used After Code Date 97100500). Note 495858 Head-Cylinder (Used Before Code Date 97100600).	51★◆273650		Gasket-Intake	635	280872	Boot-Sparkplug
			51A Δ★272569		Gasket-Intake (Used Before Code Date 97100600).	654	94010	Nut (Carburetor)
			51B★◆272465		Gasket-Intake	830	691095	Stud (Rocker Arm)
7	Δ★273280	Gasket-Cylinder Head	53	690227	Stud (Carburetor)	868	Δ★690968	Seal-Valve
13	690360	Screw (Cylinder Head)	54	691148	Screw (Intake Manifold) (Used After Code Date 97100500).	883	Δ★272293	Gasket-Exhaust
33	495856	Valve-Exhaust	54A	94913	Screw (Intake Manifold) (Used Before Code Date 97100600).	914	690960	Screw (Rocker Arm Cover)
34	495857	Valve-Intake				1022	Δ★272475	Gasket-Rocker Arm Cover
35	691279	Spring-Valve (Intake)				1023	690388	Cover-Rocker Arm
36	691279	Spring-Valve (Exhaust)				1023A	691192	Cover-Rocker Arm
40	224641	Retainer-Valve	192	492160	Adjuster-Rocker Arm	1026	494432	Rod-Push (Intake) Note 495136 Rod-Push (Exhaust)
45	690564	Tappet-Valve	238	262836	Cap-Valve	1029	224554	Arm-Rocker
50	690193	Manifold-Intake (Used After Code Date 97100500).	337	491055	Sparkplug	1034	690822	Guide-Push Rod
50A	690383	Manifold-Intake (Used Before Code Date 97100600).	383	89838	Wrench-Sparkplug			
			617	Δ★692138	O-Ring Seal (Intake Manifold)			

★ Included in Gasket Set-Ref. No. 358.
Δ Included in Valve Overhaul Kit-Ref. No.1033.

◆ Included in Carburetor Gasket Set-Ref. No. 977.
● Included in Carburetor Overhaul Kit-Ref. No.121.

28Q700 to 28Q799

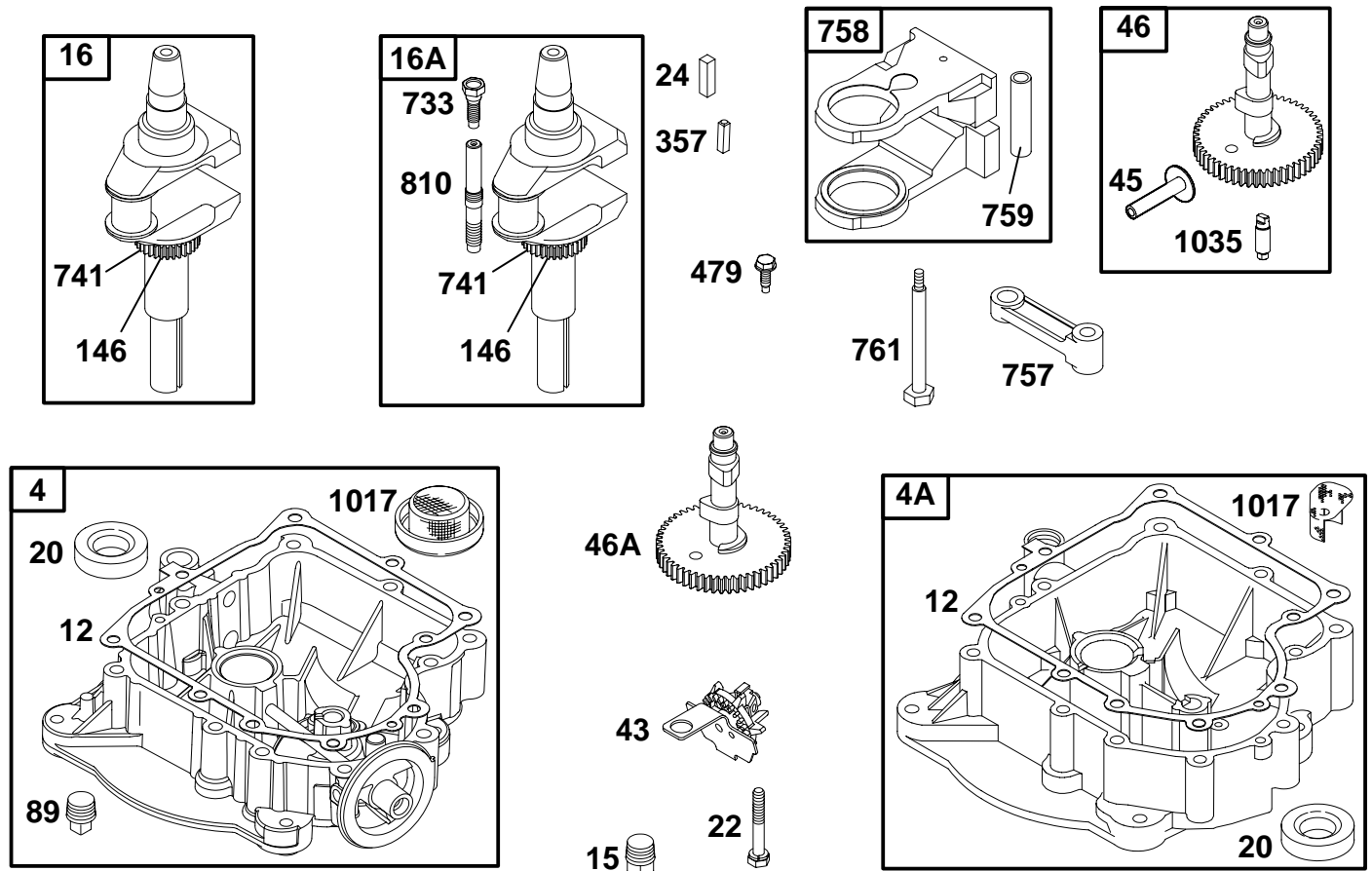


REF. NO.	PART NO.	DESCRIPTION	REF. NO.	PART NO.	DESCRIPTION	REF. NO.	PART NO.	DESCRIPTION
25	499284	Piston Assembly (Standard) Note 499288 Piston Assembly (.010" O.S.) 499292 Piston Assembly (.020" O.S.) 499296 Piston Assembly (.030" O.S.) (Used After Code Date 96082700). 495979 Piston Assembly (.030" O.S.) (Used Before Code Date 96082800).	27	691299	Lock-Piston Pin (Used After Code Date 95101500). Note 260924 Lock-Piston Pin (Used Before Code Date 95101600).	29	692419	Rod-Connecting (Standard) (Used After Code Date 98063000). Note 494504 Rod-Connecting (Standard) (Used Before Code Date 98070100).
26	495854	Ring Set (Standard) Note 495852 Ring Set (.010" O.S.) 495851 Ring Set (.020" O.S.) 495855 Ring Set (.030" O.S.)	28	498319	Pin-Piston (Standard) (Used After Code Date 95101500). Note 299691 Pin-Piston (Standard) (Used Before Code Date 95101600). 498320 Pin-Piston (.005" O.S.) (Used After Code Date 95101500). 391286 Pin-Piston (.005" O.S.) (Used Before Code Date 95101600).	32	692852	Screw (Connecting Rod) (1 5/8" Long) (Used After Code Date 98063000). Note 690356 Screw (Connecting Rod) (1 7/8" Long) (Used Before Code Date 98070100).
						32A	690348	Screw (Connecting Rod) (1 5/8" Long) (Used Before Code Date 98070100).

★ Included in Gasket Set-Ref. No. 358.
 Δ Included in Valve Overhaul Kit-Ref. No.1033.

◆ Included in Carburetor Gasket Set-Ref. No. 977.
 ● Included in Carburetor Overhaul Kit-Ref. No.121.

28Q700 to 28Q799



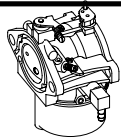
REF. NO.	PART NO.	DESCRIPTION	REF. NO.	PART NO.	DESCRIPTION	REF. NO.	PART NO.	DESCRIPTION
4	693582	Sump-Engine (Used After Code Date 98063000).	16A	693944	Crankshaft (Used Before Code Date 98070100 and After Code Date 95073100). ———— Note ————	46A	692422	Camshaft (Used Before Code Date 98070100).
4A	496742	Sump-Engine (Used Before Code Date 98070100).				89	690283	Plug-Oil
12	★271916	Gasket-Crankcase (.015" Standard) ———— Note ————				146	94196	Key-Timing
		★271997 Gasket-Crankcase (.005")	20	★291675	Seal-Oil (PTO Side)	357	91540	Key-Drive Pulley
		★271996 Gasket-Crankcase (.009")	22	692125	Screw (Engine Sump)	479	93758	Screw (Oil Pump Screen) (Used Before Code Date 94110700).
15	94239	Plug-Oil Drain ———— Note ————	24	222698	Key-Flywheel (Standard)	733	94673	Screw (Crankshaft Extension)
		94880 Plug-Oil Drain Used on Type No(s). 0623, 0624, 0676.	43	490815	Slinger-Governor/Oil	741	691284	Gear-Timing
16	690136	Crankshaft (Used After Code Date 98063000).	45	690564	Tappet-Valve	757	213998	Link-Counterweight
			46	693450	Camshaft (Used After Code Date 98063000).	758	692423	Counterweight
						759	691239	Pin-Counterweight
						761	691096	Screw (Counterweight)
						810	231828	Extension-Crankshaft
						1017	690770	Screen-Oil Pump
						1035	693784	Shaft-Pump (Used After Code Date 98063000).

★ Included in Gasket Set-Ref. No. 358.
 △ Included in Valve Overhaul Kit-Ref. No.1033.

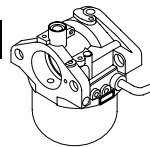
◆ Included in Carburetor Gasket Set-Ref. No. 977.
 ● Included in Carburetor Overhaul Kit-Ref. No.121.

28Q700 to 28Q799

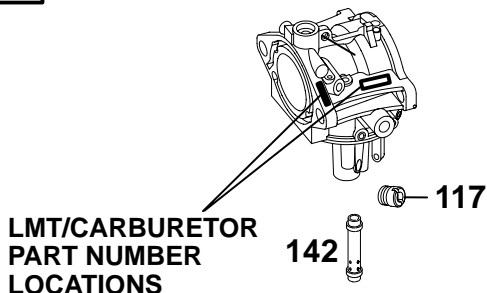
WALBRO



NIKKI

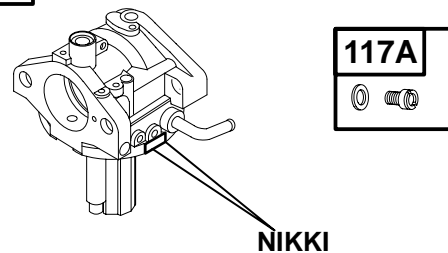


125



SEE NEXT PAGE FOR COMPONENT SERVICE

125A



★ REQUIRES SPECIAL TOOLS TO INSTALL. SEE REPAIR INSTRUCTION MANUAL.

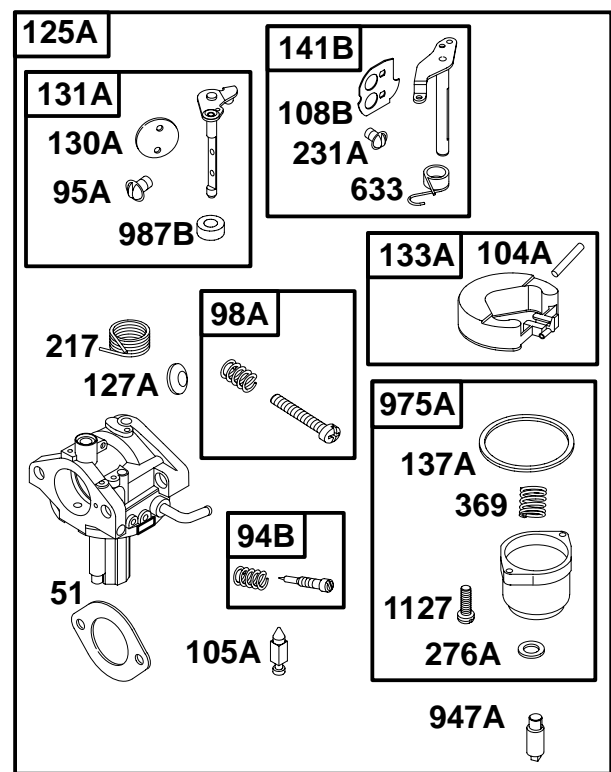
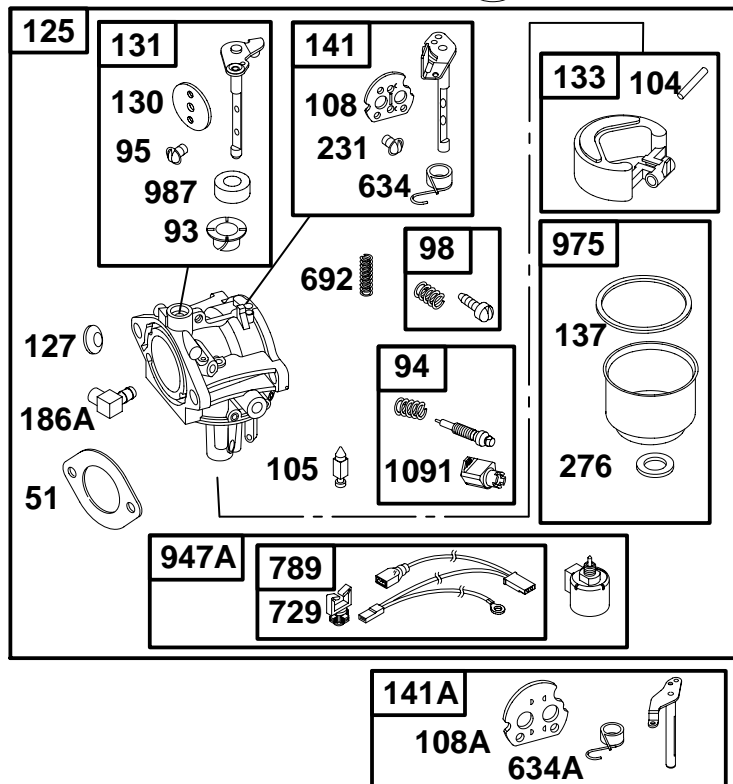
REF. NO.	PART NO.	DESCRIPTION	REF. NO.	PART NO.	DESCRIPTION	REF. NO.	PART NO.	DESCRIPTION
117	●232115	Jet–Main (Standard) (LMT 150, 152) ———— Note ——— ●692408 Jet–Main (Standard) (LMT 153, 154, 155, 156) ●232061 Jet–Main (Standard) (LMT 33,34,73,74,76, 121,122,124,125,126, 128,129,130,132,137, 138)	125	690194	Carburetor (Gravity Feed) (For Choke A Matic and Manual Choke) (Used After Code Date 97100500). ———— Note ——— 499153 Carburetor (Gravity Feed) (For Choke A Matic and Manual Choke) (Used After Code Date 96072500 and Before Code Date 97100600). 693194 Carburetor (Pump Feed) (For Choke A Matic and Manual Choke) (Used After Code Date 96072500). Used on Type No(s). 0026, 0112, 0139, 0140, 0144, 0151, 0156, 0165, 0526, 0536, 0612, 0639, 0641, 0642, 0645, 0647, 0656, 0670, 0675, 0676, 0678, 0688.			690194 Carburetor (Gravity Feed) (For Choke A Matic and Manual Choke) (Used After Code Date 95022700 and Before Code Date 96072600). 496796 Carburetor (Pump Feed) (For Choke A Matic and Manual Choke) (Used Before Code Date 95022800). Used on Type No(s). 0026, 0112, 0139, 0140, 0144, 0151, 0165, 0167.
		692411 Jet–Main (High Altitude) (LMT 153, 154, 156) 232116 Jet–Main (High Altitude) (LMT 150, 152) 231850 Jet–Main (High Altitude) (LMT 33, 34, 73, 74, 76, 121, 122, 124, 125, 126, 128, 129, 130, 132, 137, 138)				125A		Carburetor (Nikki) (Service with Walbro Carburetor)
117A	●695415	Jet–Main ———— Note ——— ●695416 Jet–Main (High Altitude)				142	●692412	Nozzle–Carburetor (LMT 149, 150, 152, 153, 154, 155, 156) ———— Note ——— ●231990 Nozzle–Carburetor (LMT 33, 34, 73, 74, 76, 121, 122, 124, 125, 126, 128, 129, 130, 132, 137, 138)

★ Included in Gasket Set–Ref. No. 358.
△ Included in Valve Overhaul Kit–Ref. No.1033.

◆ Included in Carburetor Gasket Set–Ref. No. 977.
● Included in Carburetor Overhaul Kit–Ref. No.121.

WALBRO

NIKKI

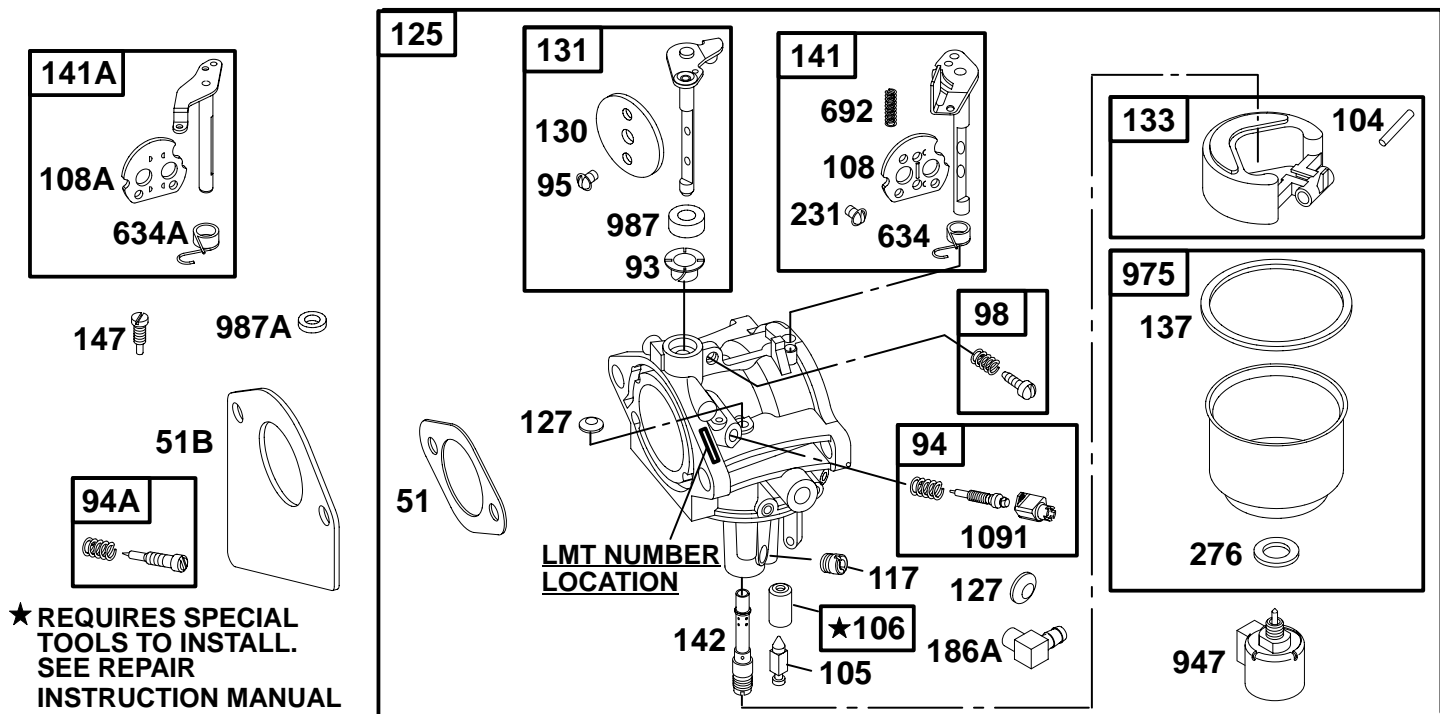


REF. NO.	PART NO.	DESCRIPTION	REF. NO.	PART NO.	DESCRIPTION	REF. NO.	PART NO.	DESCRIPTION
51	●♦273650	Gasket-Intake	125A		Carburetor (Nikki)	231A	●690718	Screw (Choke Valve)
93	690602	Bushing-Throttle Shaft			(Service with Walbro Carburetor)	276	●♦281164	Washer-Sealing
94	498030	Kit-Idle Mixture	127	●695005	Plug-Welch	276A	●♦695410	Washer-Sealing
94B	695425	Kit-Idle Mixture	127A	●690727	Plug-Welch	369	695422	Spring-Float Bowl
95	●94098	Screw (Throttle Valve)	130	224539	Valve-Throttle	633	695414	Seal-Choke/Throttle Shaft
95A	●690718	Screw (Throttle Valve)	130A	695418	Valve-Throttle	634	●690801	Spring/Seal Assembly (LMT 155)
98	495800	Kit-Idle Speed	131	494379	Kit-Throttle Shaft	634A	●690802	Spring/Seal Assembly (LMT 154) (Choke A Matic)
98A	695408	Kit-Idle Speed	131A	695421	Kit-Throttle Shaft	692	690572	Spring-Detent
104	●690525	Pin-Float Hinge	133	494381	Float-Carburetor	729	691335	Clip-Wire
104A	●694918	Pin-Float Hinge	133A	694914	Float-Carburetor	789	497708	Harness-Wiring
105	●231855	Valve-Float Needle	137	●♦281165	Gasket-Float Bowl	947A	497672	Solenoid-Fuel
105A	●694922	Valve-Float Needle	137A	●♦695426	Gasket-Float Bowl	975	495933	Bowl-Float
108	690464	Valve-Choke (LMT 155)	141	495097	Kit-Choke Shaft (LMT 155)	975A	695417	Bowl-Float
108A	692344	Valve-Choke (LMT 154)	141A	495931	Kit-Choke Shaft (LMT 154)	987	●691326	Seal-Throttle Shaft
108B	695419	Valve-Choke	141B	695420	Kit-Choke Shaft	987B	●281765	Seal-Throttle Shaft
125	499153	Carburetor (Walbro)	186A	493496	Connector-Hose	1091	691333	Cap-Limiter
			217	695409	Spring-Choke Return	1127	695407	Screw (Float Bowl)
			231	●94098	Screw (Choke Valve)			

★ Included in Gasket Set-Ref. No. 358.
 △ Included in Valve Overhaul Kit-Ref. No.1033.

◆ Included in Carburetor Gasket Set-Ref. No. 977.
 ● Included in Carburetor Overhaul Kit-Ref. No.121.

28Q700 to 28Q799

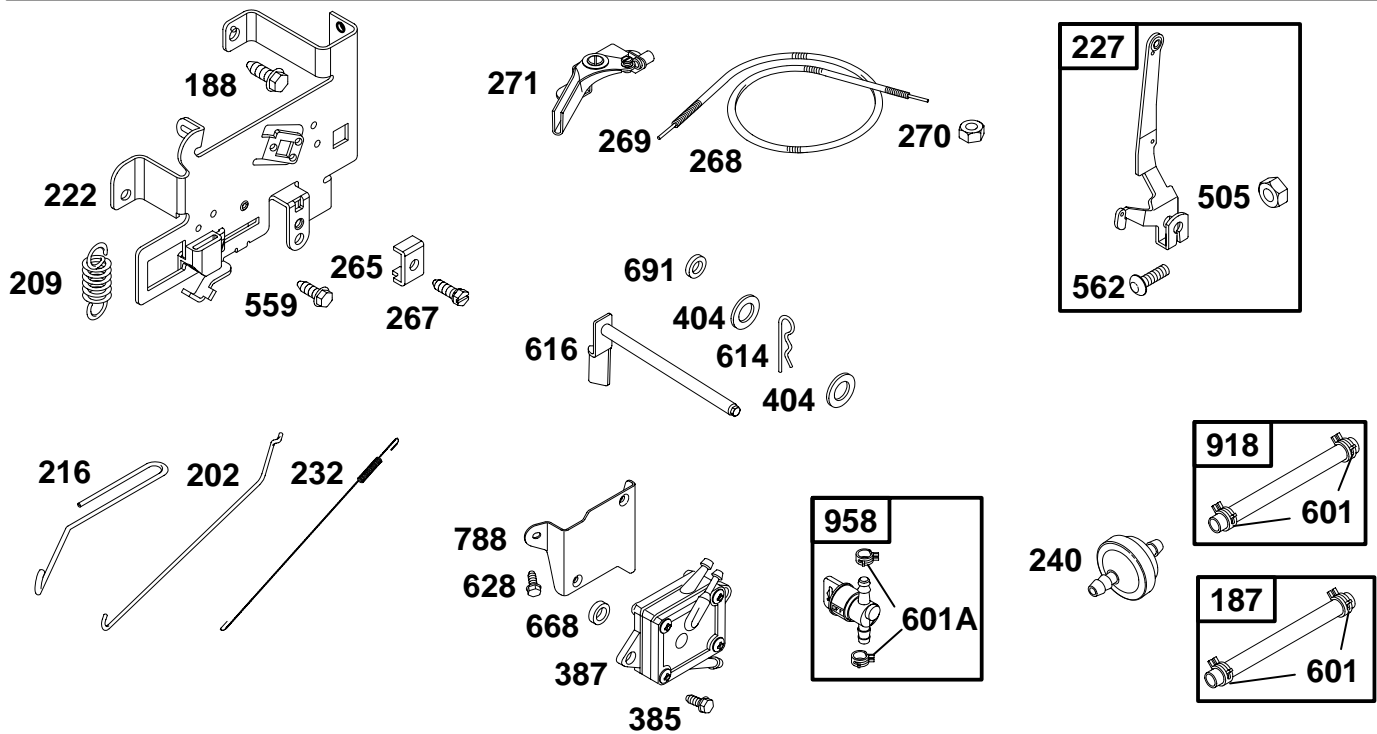


THIS CARBURETOR SERVICES BOTH CHOKE-A-MATIC AND MANUAL CHOKE SYSTEMS

REF. NO.	PART NO.	DESCRIPTION	REF. NO.	PART NO.	DESCRIPTION	REF. NO.	PART NO.	DESCRIPTION
51★◆	273650	Gasket-Intake	117	●	Jet-Main	147	●231985	Jet-Pilot
51B★◆	272465	Gasket-Intake			See Previous Page			(LMT 73, 74, 76, 121, 122, 124, 125, 126, 128, 129, 130, 132, 137, 138)
93	690602	Bushing-Throttle Shaft	125		See Previous Page			Note
94	498030	Kit-Idle Mixture (LMT 153, 154, 156)	127	●695005	Plug-Welch			●497472 Jet-Pilot (LMT 33, 34)
		Note	130	224539	Valve-Throttle	186A	493496	Connector-Hose
		498032Kit-Idle Mixture (LMT 125, 126, 128, 129, 130, 132, 137, 138)	131	494379	Kit-Throttle Shaft	231	●94098	Screw (Choke Valve)
94A	495932	Kit-Idle Mixture	133	494381	Float-Carburetor	276	◆281164	Washer-Sealing
95	●94098	Screw (Throttle Valve)	137	◆281165	Gasket-Float Bowl	634	●690801	Spring/Seal Assembly (Manual Choke)
98	495800	Kit-Idle Speed	141	495097	Kit-Choke Shaft (Manual Choke)	634A	●690802	Spring/Seal Assembly (Choke A Matic)
104	●690525	Pin-Float Hinge	141A	495931	Kit-Choke Shaft (Choke A Matic)	692	690572	Spring-Detent
105	●231855	Valve-Float Needle	142	●692412	Nozzle-Carburetor (LMT 149, 150, 152, 153, 154, 155, 156)	947	695423	Solenoid-Fuel
106	●231854	Seat-Inlet (Gravity Feed)			Note	975	495933	Bowl-Float
		Note			●231990 Nozzle-Carburetor (LMT 33, 34, 73, 74, 76, 121, 122, 124, 125, 126, 128, 129, 130, 132, 137, 138)	987	●691326	Seal-Throttle Shaft
		●231856 Inlet Seat (Pump Feed)				987A	281167	Seal-Throttle Shaft (LMT 33, 34)
108	690464	Valve-Choke (Manual Choke)				1091	691333	Cap-Limiter
108A	692344	Valve-Choke (Choke A Matic)						

★ Included in Gasket Set-Ref. No. 358.
 △ Included in Valve Overhaul Kit-Ref. No.1033.

◆ Included in Carburetor Gasket Set-Ref. No. 977.
 ● Included in Carburetor Overhaul Kit-Ref. No.121.

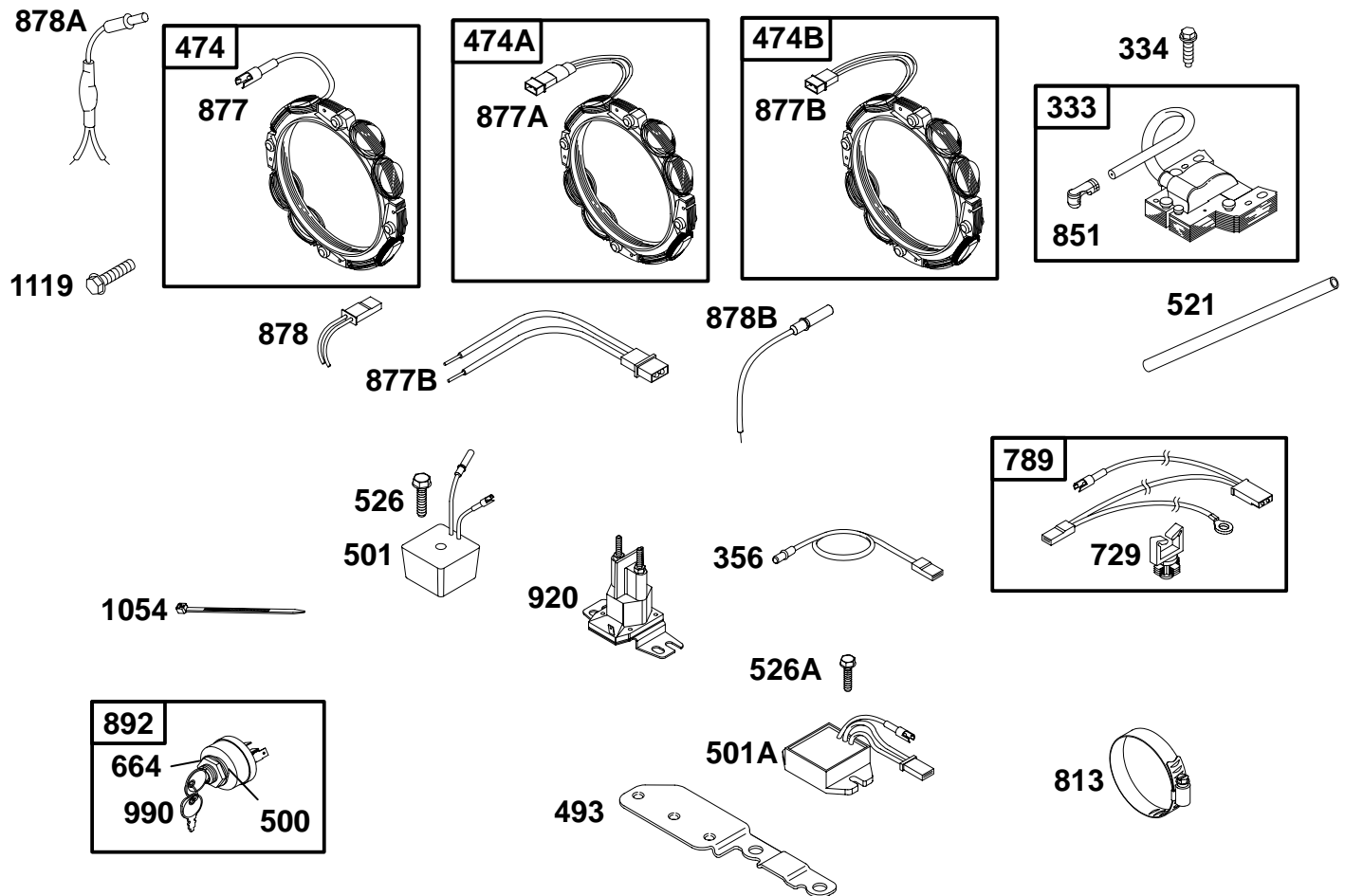


REF. NO.	PART NO.	DESCRIPTION	REF. NO.	PART NO.	DESCRIPTION	REF. NO.	PART NO.	DESCRIPTION
187	296004	Line—Fuel (Cut to Length)	227	691374	Lever—Governor Control	271	290568	Lever—Control
188	94929	Screw (Control Bracket)	232	262785	Spring—Governor Link	385	690960	Screw (Fuel Pump)
202	262767	Link—Mechanical Governor	240	298090	Filter—Fuel	387	808656	Pump—Fuel
209	260695	Spring—Governor	Note			404	94927	Washer (Governor Crank)
		Note	394358	Filter—Fuel	505	691251	Nut (Governor Control Lever)	
		260871 Spring—Governor	Used on Type No(s). 0026, 0112, 0117, 0139, 0144, 0148, 0149, 0164, 0165, 0166, 0168, 0526, 0536, 0612, 0631, 0639, 0641, 0642, 0645, 0647, 0662, 0664, 0668, 0670, 0673, 0675, 0676, 0687, 0688, 0690, 0692.			559	94896	Screw (Remote Choke Stop)
		261126 Spring—Governor	265	221535	Clamp—Casing	562	691119	Bolt (Governor Control Lever)
		Used on Type No(s). 0155, 0627, 0655, 0672.	267	94906	Screw (Casing Clamp)	601	95162	Clamp—Hose (Green)
216	262766	Link—Choke	268	65616	Casing—Control Wire (Cut to Length)	601A	93807	Clamp—Hose (Black)
222	694042	Bracket—Control (Used After Code Date 99011100).	269	26633	Wire—Control (Cut to Length)	614	93306	Pin—Cotter
		Note	270	63426	Nut (Control Wire Casing)	616	495157	Crank—Governor
		495611 Bracket—Control (Used Before Code Date 99011200).				628	94896	Screw (Fuel Pump Bracket)
						668	690510	Spacer
						691	491323	Governor Shaft Seal
						788	692133	Bracket—Fuel Pump
						918	393815	Hose—Vacuum (Cut to Length)
						958	494768	Valve—Fuel Shut Off

★ Included in Gasket Set—Ref. No. 358.
 △ Included in Valve Overhaul Kit—Ref. No.1033.

◆ Included in Carburetor Gasket Set—Ref. No. 977.
 ● Included in Carburetor Overhaul Kit—Ref. No.121.

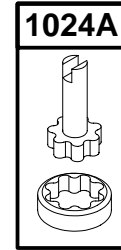
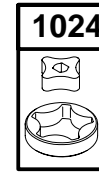
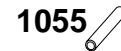
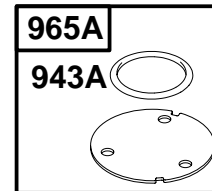
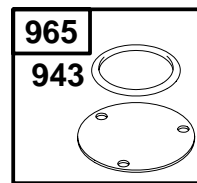
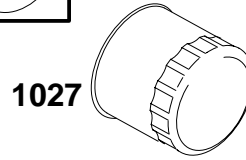
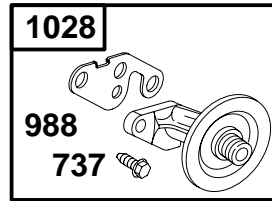
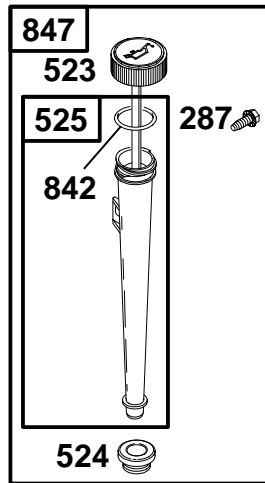
28Q700 to 28Q799



REF. NO.	PART NO.	DESCRIPTION	REF. NO.	PART NO.	DESCRIPTION	REF. NO.	PART NO.	DESCRIPTION
333	495859	Armature-Magneto	501A	394890	Regulator	813	690635	Clamp
334	94731	Screw (Magneto Armature)	521	690581	Shield-Cable	851	692424	Terminal-Sparkplug
356	690807	Wire-Stop	526	694476	Screw (Regulator)	877	393537	Wire/Cpnnector- Alternator
474	392595	Alternator			Note (Used After Code Date 99070500).	877A	393456	Wire/Connector- Alternator
474A	393474	Alternator				877B	399916	Wire/Connector- Alternator
474B	393295	Alternator				878	393362	Harness-Alternator
493	694475	Bracket-Mounting (Used After Code Date 99070500).	526A	692598	Screw (Regulator)	878A	392606	Harness-Alternator
		Note (Used Before Code Date 99070600).	664	691087	Nut (Key Switch)	878B	393422	Harness-Alternator
			729	691335	Clip-Wire (Oil Filter Adapter)	892	493625	Switch-Key
500	691086	Washer (Key Switch)	789	497708	Harness-Wiring	920	807829	Solenoid-Starter
501	491546	Regulator				990	392832	Key Set
						1054	280275	Tie-Cable
						1119	93621	Screw (Alternator)

★ Included in Gasket Set-Ref. No. 358.
 △ Included in Valve Overhaul Kit-Ref. No.1033.

◆ Included in Carburetor Gasket Set-Ref. No. 977.
 ● Included in Carburetor Overhaul Kit-Ref. No.121.

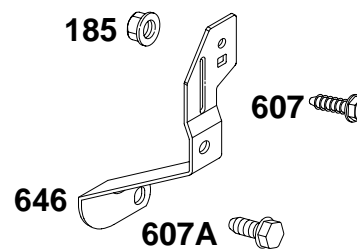
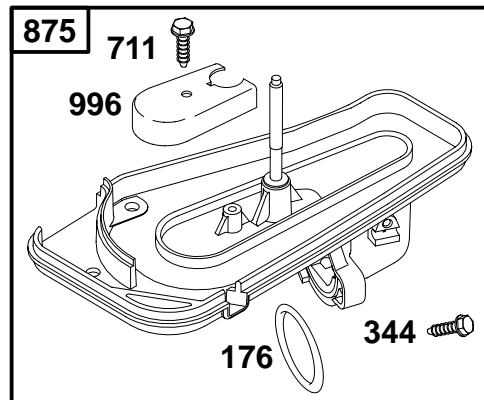
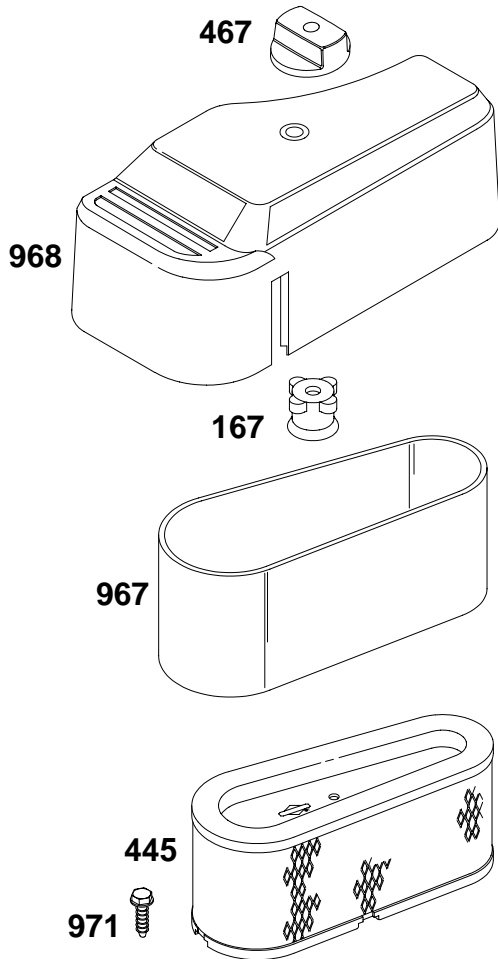


REF. NO.	PART NO.	DESCRIPTION	REF. NO.	PART NO.	DESCRIPTION	REF. NO.	PART NO.	DESCRIPTION
287	94903	Screw (Dipstick Tube)	847	496415	Dipstick/Tube Assembly	1024	499054	Pump-Oil (Used After Code Date 98063000).
523	495230	Dipstick	943	690589	O-Ring Seal (Oil Pump Cover) (Used After Code Date 98063000).	1024A	493884	Pump-Oil (Used Before Code Date 98070100).
524	★281370	Seal-Dipstick Tube	943A	★690604	O-Ring Seal (Oil Pump Cover) (Used Before Code Date 98070100).	1027	492932	Filter-Oil (Used After Code Date 95081300).
525	691398	Tube-Dipstick	965	499613	Cover-Oil Pump (Used After Code Date 98063000).	Note		
737	691118	Screw (Oil Filter Adapter)	965A	496745	Cover-Oil Pump (Used Before Code Date 98070100).	1028	496744	Adapter-Oil Filter
750	691033	Screw (Oil Pump Cover) (Used After Code Date 98063000).	988	★691317	Gasket-Oil Adapter	1055	690528	Tube-Oil Pump
750A	94786	Screw (Oil Pump Cover) (Used Before Code Date 98070100).						491056 Filter-Oil (Used Before Code Date 95081400).
842	★270920	O-Ring Seal						492932 Filter-Oil Used on Type No(s). 0129, 0624, 0630.

★ Included in Gasket Set-Ref. No. 358.
 Δ Included in Valve Overhaul Kit-Ref. No.1033.

◆ Included in Carburetor Gasket Set-Ref. No. 977.
 ● Included in Carburetor Overhaul Kit-Ref. No.121.

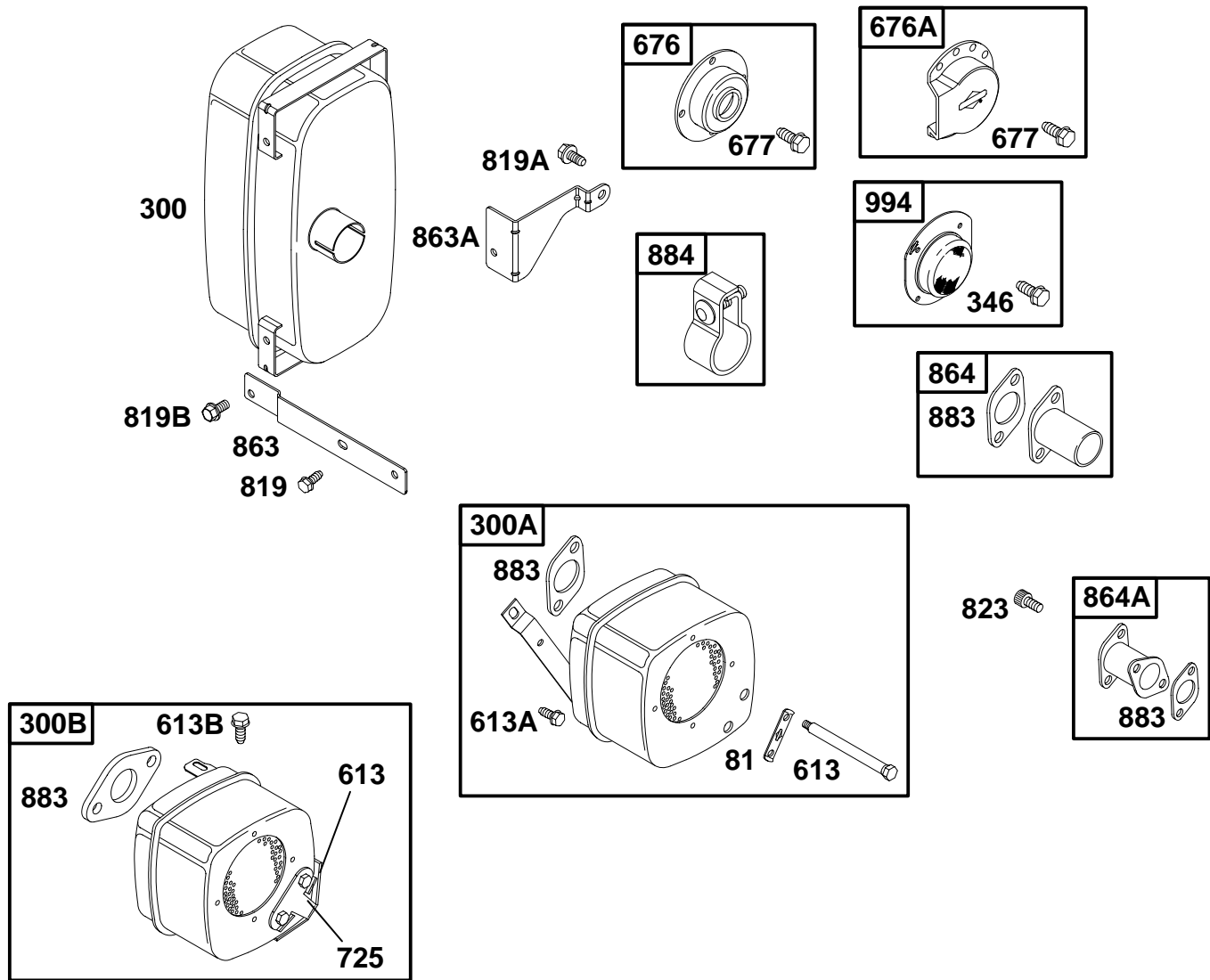
28Q700 to 28Q799



REF. NO.	PART NO.	DESCRIPTION	REF. NO.	PART NO.	DESCRIPTION	REF. NO.	PART NO.	DESCRIPTION
167	281051	Seal-Air Cleaner Nut	607	690703	Screw (Air Cleaner Brace)	971	692129	Screw (Air Cleaner Base) (Used After Code Date 97100500).
176	★281106	O-Ring Seal (Air Cleaner Base)	607A	94929	Screw (Air Cleaner Brace)			Note
185	94010	Nut (Air Cleaner Base)	646	690460	Brace-Air Cleaner			94905 Screw (Air Cleaner Base) (Used Before Code Date 97100600).
344	693675	Screw (Cable Clamp)	711	690703	Screw (Carburetor Shield)	996	690678	xShield-Air Cleaner
445	496894	Filter-Air Cleaner Cartridge	875	693686	Base-Air Cleaner			
467	493903	Knob-Air Cleaner	967	272403	Filter-Pre Cleaner			
			968	692355	Cover-Air Cleaner			

★ Included in Gasket Set-Ref. No. 358.
 △ Included in Valve Overhaul Kit-Ref. No.1033.

◆ Included in Carburetor Gasket Set-Ref. No. 977.
 ● Included in Carburetor Overhaul Kit-Ref No.121.

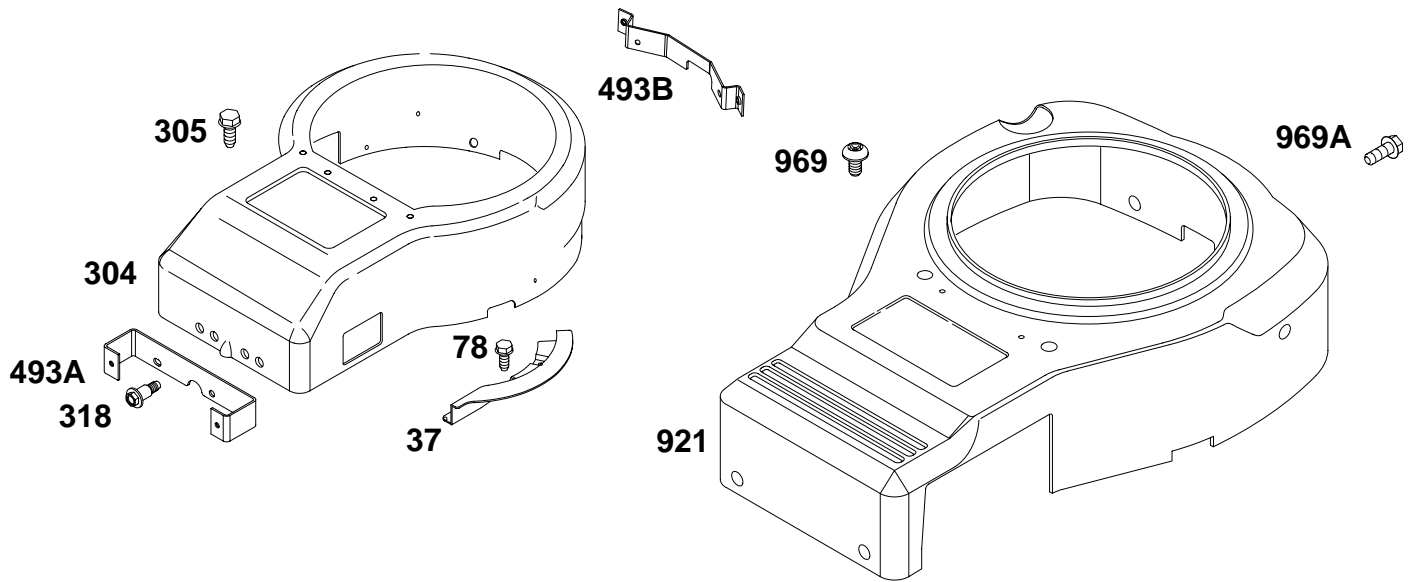


REF. NO.	PART NO.	DESCRIPTION	REF. NO.	PART NO.	DESCRIPTION	REF. NO.	PART NO.	DESCRIPTION
81	691178	Lock-Muffler Screw	613B	94786	Screw (Exhaust Muffler)	823	690363	Screw (Muffler Adapter)
300	690850	Muffler	676	396903	Deflector-Muffler	863	691204	Bracket-Muffler
300A	496022	Muffler	676A	393761	Deflector-Muffler	863A	691205	Bracket-Muffler
300B	491413	Muffler Used on Type No(s). 0692.	677	94896	Screw (Muffler Deflector)	864	496750	Adapter-Muffler
346	94896	Screw (Spark Arrestor)	725	690420	Shield-Heat	864A	495864	Adapter-Muffler Used on Type No(s). 0155, 0655, 0671, 0672, 0679, 0692.
613	93927	Screw (Exhaust Muffler)	819	690297	Screw (Muffler Bracket)	883	Δ*272293	Gasket-Exhaust
613A	94847	Screw (Exhaust Muffler)	819A	94847	Screw (Muffler Bracket)	884	690853	Clamp-Muffler
			819B	94831	Screw (Muffler Bracket)	994	392390	Arrestor-Spark

★ Included in Gasket Set-Ref. No. 358.
 Δ Included in Valve Overhaul Kit-Ref. No.1033.

◆ Included in Carburetor Gasket Set-Ref. No. 977.
 ● Included in Carburetor Overhaul Kit-Ref. No.121.

28Q700 to 28Q799

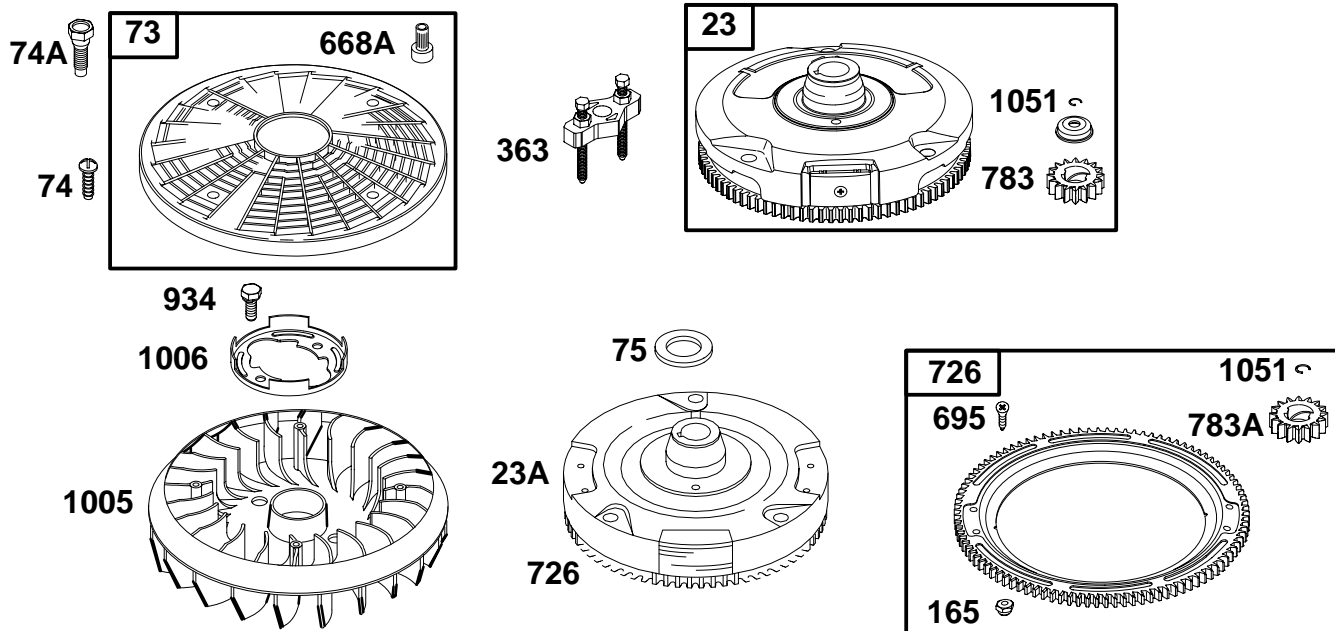


1036 EMISSIONS LABEL

REF. NO.	PART NO.	DESCRIPTION	REF. NO.	PART NO.	DESCRIPTION	REF. NO.	PART NO.	DESCRIPTION
37	690456	Guard-Flywheel	921	690495	Cover-Blower Housing (Red)	1036	695700	Label-Emissions (Used After Code Date 00063000).
78	94896	Screw (Flywheel Guard)			Note			Note
304	690497	Housing-Blower (Black)		690496	Cover-Blower Housing (Black)		694997	Label-Emissions (Used After Code Date 9909300 and Before Code Date 00070100).
305	690960	Screw (Blower Housing)		225175	Cover-Blower Housing (Black)		694318	Label-Emissions (Used Before Code Date 99010100 and After Code Date 98123100).
318	692127	Screw (Mounting Bracket)			Used on Type No(s) 0168, 0668.		499364	Label-Emissions (Used Before Code Date 99010100 and After Code Date 97052500).
493A	690493	Bracket-Mounting (Front)	969	690365	Screw (Blower Housing Cover)		499363	Label-Emissions (Used Before Code Date 97052600).
493B	690494	Bracket-Mounting (Rear)	969A	690960	Screw (Blower Housing Cover)			
727	490324	Cover-Starter Drive						
732	94903	Screw (Starter Drive Cover)						

★ Included in Gasket Set-Ref. No. 358.
 Δ Included in Valve Overhaul Kit-Ref. No.1033.

◆ Included in Carburetor Gasket Set-Ref. No. 977.
 ● Included in Carburetor Overhaul Kit-Ref. No.121.

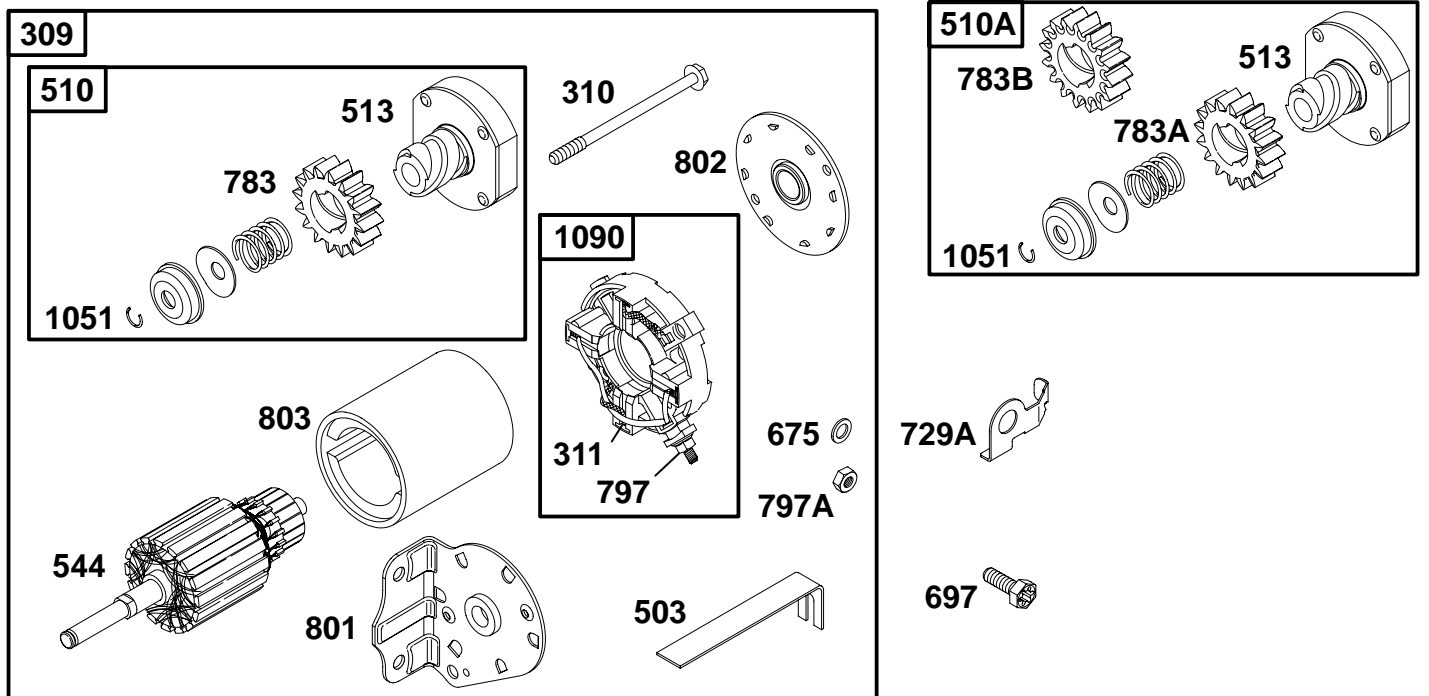


REF. NO.	PART NO.	DESCRIPTION	REF. NO.	PART NO.	DESCRIPTION	REF. NO.	PART NO.	DESCRIPTION	
23	693556	Flywheel (Steel Ring Gear) ———— Note ———— 693557 Flywheel (Steel Ring Gear) Used on Type No(s). 0116, 0117, 0128, 0136, 0144, 0151, 0155, 0164, 0165, 0167, 0168, 0613, 0616, 0624, 0636, 0641, 0647, 0655, 0662, 0664, 0667, 0668, 0671, 0673, 0675, 0681, 0687, 0688, 0690.	73	691055	Screen—Rotating (Used After Code Date 00040200). ———— Note ———— 494439 Screen— Rotating (Used Before Code Date 00040300).	726	399676	Gear—Ring (Aluminum— Services Plastic Ring Gear Only)	
23A	692682	Flywheel (Plastic Ring Gear) ———— Note ———— 690222 Flywheel (Plastic Ring Gear) Used on Type No(s). 0116, 0117, 0128, 0136, 0144, 0151, 0155, 0164, 0165, 0167, 0168, 0613, 0616, 0624, 0636, 0641, 0647, 0655, 0662, 0664, 0667, 0668, 0671, 0673, 0675, 0681, 0687, 0688.	74	691057	Screw (Rotating Screen) (Used After Code Date 00040200). ———— Note ———— 94821 Screw (Rotating Screen) (Used Before Code Date 00040300).	783	693713	Gear—Pinion (For Steel Ring Gear Only)	
			74A	94673	Screw (Rotating Screen)	783A	693059	Gear—Pinion (For Aluminum Ring Gear Only)	
				75	225136	Washer (Flywheel)	934	94627	Screw (Fan Retainer)
			165	693148	Nut (Ring Gear)	1005	695492	Fan—Flywheel (Used After Code Date 00040200). ———— Note ———— 281400 Fan—Flywheel (Used Before Code Date 00040300).	
			363	19203	Flywheel Puller	1006	690452	Retainer—Fan	
			668A	691500	Spacer	1051	263080	Ring—Retaining	
			695	693109	Screw (Ring Gear)				

★ Included in Gasket Set—Ref. No. 358.
 △ Included in Valve Overhaul Kit—Ref. No.1033.

◆ Included in Carburetor Gasket Set—Ref. No. 977.
 ● Included in Carburetor Overhaul Kit—Ref. No.121.

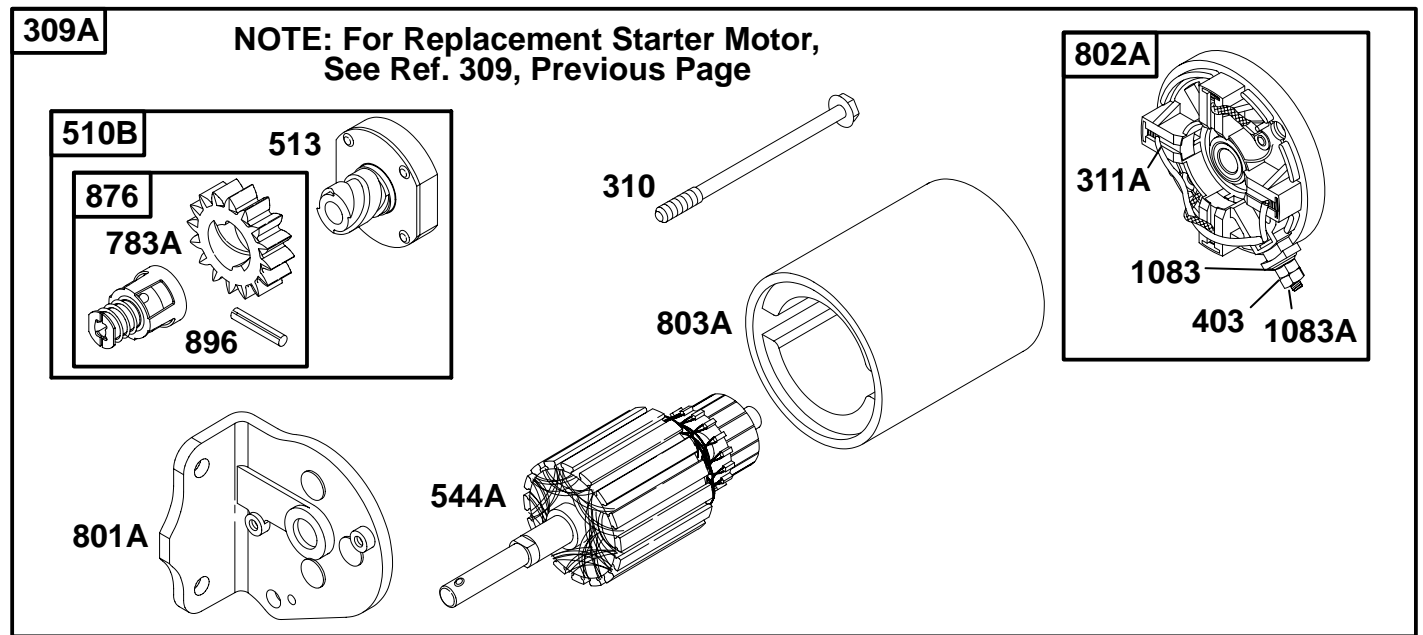
28Q700 to 28Q799



REF. NO.	PART NO.	DESCRIPTION	REF. NO.	PART NO.	DESCRIPTION	REF. NO.	PART NO.	DESCRIPTION
309	693551	Motor-Starter (3 5/8" Housing Length For Steel Ring Gear Only) Note 497595 Motor-Starter (3 5/8" Housing Length For Plastic Ring Gear Only) 693054 Motor-Starter (3 5/8" Housing Length For Aluminum Ring Gear Only) 693552 Motor-Starter (4 3/8" Housing Length For Steel Ring Gear Only) 497401 Motor-Starter (4 3/8" Housing Length For Plastic Ring Gear Only) 499521 Motor-Starter (4 3/8" Housing Length For Aluminum Ring Gear Only)	310	690323	Bolt (Starter Motor 3 5/8" Housing Length) Note 691263 Bolt (Starter Motor 4 3/8" Housing Length)	729A	691224	Clip-Wire (Used Before Code Date 99070600).
			311	497608	Brush Set	783	693713	Gear-Pinion (For Steel Ring Gear Only)
			503	691532	Strap-Starter (Used Before Code Date 99070600).	783A	693059	Gear-Pinion (For Aluminum Ring Gear Only)
			510	693699	Drive-Starter (Used With Steel Ring Gear)	783B	693058	Gear-Pinion (For Plastic Ring Gear Only)
			510A	497606	Drive-Starter (Used With Aluminum & Plastic Ring Gears)	797	92278	Nut (Brush Retainer)
			513	398003	Clutch-Drive	797A	693167	Nut (Brush Retainer)
			544	497603	Armature-Starter (3 5/8" Housing Length)	801	691429	Cap-Drive
			675	225137	Washer (Brush Retainer)	802	497607	Cap-End
			697	690372	Screw (Drive Cap)	803	693757	Housing-Starter (3 5/8" Housing Length. 4 3/8 Housing Length Serviced by Ref. 309)
						1051	263080	Ring-Retaining
						1090	497605	Retainer-Brush

★ Included in Gasket Set-Ref. No. 358.
 △ Included in Valve Overhaul Kit-Ref. No.1033.

◆ Included in Carburetor Gasket Set-Ref. No. 977.
 ● Included in Carburetor Overhaul Kit-Ref. No.121.



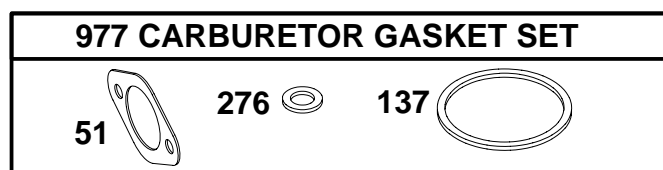
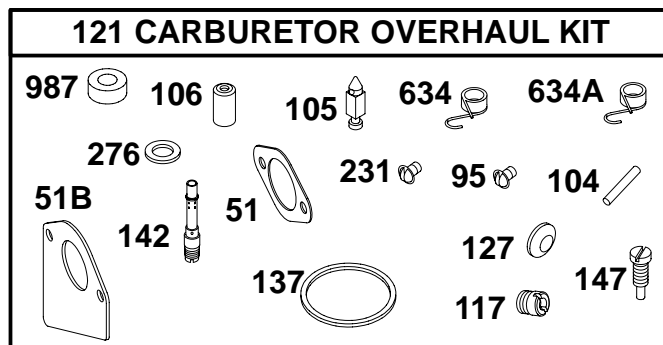
REF. NO.	PART NO.	DESCRIPTION	REF. NO.	PART NO.	DESCRIPTION	REF. NO.	PART NO.	DESCRIPTION
309A		Motor-Starter (For Replacement Starter Motor, See Ref 309, Previous Page)	403	690288	Washer (End Cap)	803A	398159	Housing-Starter (For 3 5/8" Housing Length)
310	690323	Bolt (Starter Motor) (For 3 5/8" Housing Length)	510B	495878	Drive-Starter			Note
		Note	513	398003	Clutch-Drive			494205 Housing-Starter (For 4 3/8" Housing Length)
		691263 Bolt (Starter Motor) (For 4 3/8" Housing Length)	544A	390837	Armature-Starter (For 3 5/8" Housing Length)			
		692329 Bolt (Starter Motor) (For 4 9/16" Housing Length)			Note	876	495877	Kit-Pinion Spring
311A	395538	Brush Set (For 3 5/8" Housing Length)	697A	94627	Screw (Drive Cap)	896	94288	Pin-Drive Retainer
311B	490311	Brush Set (For 4 9/16" Housing Length)	729B	224723	Clip-Wire	926	498233	Kit-Housing/Cap (For 4 9/16" Hsg. Length)
			783A	693059	Gear-Pinion	1003	490316	Spring-Brush (For 4 9/16" Hsg. Length)
			801A	394856	Cap-Drive	1083	94010	Nut (End Cap)
			802A	395537	Cap-End (For 3 5/8" Housing Length)	1083A	93715	Nut (End Cap)
					Note			
					494988 Cap-End (For 4 3/8" Housing Length)			

★ Included in Gasket Set-Ref. No. 358.
 △ Included in Valve Overhaul Kit-Ref. No.1033.

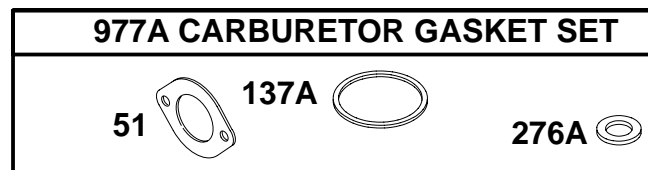
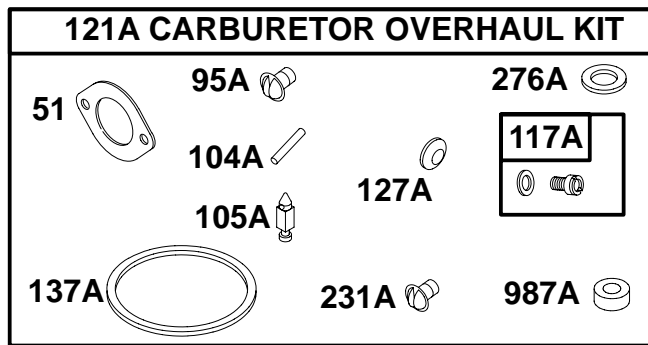
◆ Included in Carburetor Gasket Set-Ref. No. 977.
 ● Included in Carburetor Overhaul Kit-Ref. No.121.

28Q700 to 28Q799

WALBRO



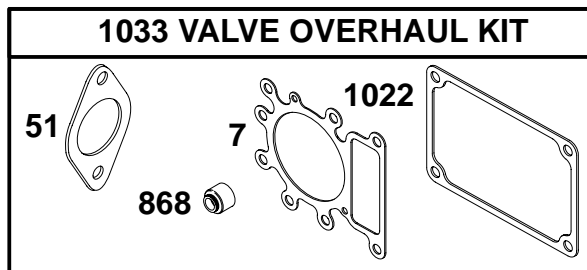
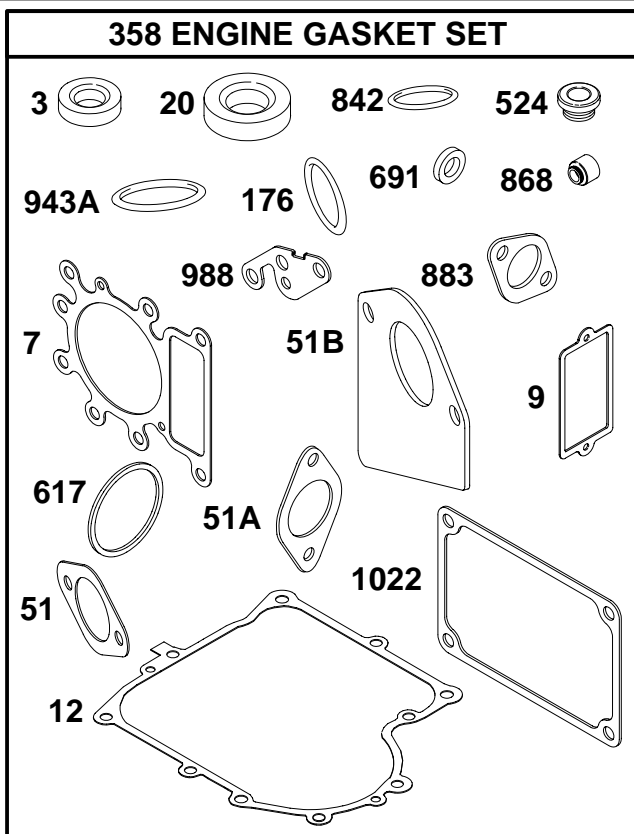
NIKKI



REF. NO.	PART NO.	DESCRIPTION	REF. NO.	PART NO.	DESCRIPTION	REF. NO.	PART NO.	DESCRIPTION
51	◆273650	Gasket-Intake	121	690191	Kit-Carburetor Overhaul	231	●94098	Screw (Choke Valve)
51B	◆272465	Gasket-Intake			(Used After Code Date 97100500).	231A	●690718	Screw (Choke Valve)
95	●94098	Screw (Throttle Valve)			Note	276	◆281164	Washer-Sealing
95A	●690718	Screw (Throttle Valve)			499233 Kit-Carburetor Overhaul	276A	◆695410	Washer-Sealing
104	●690525	Pin-Float Hinge			(Used After Code Date 96072500 and Before Code Date 97100600).	634	●690801	Spring/Seal Assembly (Manual Choke)
104A	●694918	Pin-Float Hinge			498116 Kit-Carburetor Overhaul	634A	●690802	Spring/Seal Assembly (Choke A Matic)
105	●231855	Valve-Float Needle			(Used Before Code Date 96072600).	977	690192	Gasket Set-Carburetor (Used After Code Date 97060500).
105A	●694922	Valve-Float Needle						Note
106	●231854	Seat-Inlet (Gravity Feed)	121A	695427	Kit-Carburetor Overhaul			494385 Gasket Set-Carburetor (Used Before Code Date 97060600).
		Note						
		●231856 Seat-Inlet (Pump Feed)	127	●695005	Plug-Welch	977A	695428	Gasket Set-Carburetor
117	●232115	Jet-Main (Standard) (LMT 150, 152)	127A	●690727	Plug-Welch	987	●691326	Seal-Throttle Shaft
		Note	137	◆281165	Gasket-Float Bowl	987A	●281765	Seal-Throttle Shaft
		●692408 Jet-Main (Standard) (LMT 153, 154, 155, 156)	137A	●695426	Gasket-Float Bowl			51◆273650 Gasket-Intake
		●232061 Jet-Main (Standard) (LMT 33,34,73,74,76, 121,122,124,125,126, 128,129,130,132,137, 138)	142	●692412	Nozzle-Carburetor (LMT 149, 150, 152, 153, 154, 155, 156)			51B◆272465 Gasket-Intake
117	●692408	Jet-Main			Note			95 ●94098 Screw (Throttle Valve)
117A	●695415	Jet-Main			●231990 Nozzle-Carburetor (LMT 33, 34, 73, 74, 76, 121, 122, 124, 125, 126, 128, 129, 130, 132, 137, 138)			
		Note						
		●695416 Jet-Main (High Altitude)						

★ Included in Gasket Set-Ref. No. 358.
 △ Included in Valve Overhaul Kit-Ref. No.1033.

◆ Included in Carburetor Gasket Set-Ref. No. 977.
 ● Included in Carburetor Overhaul Kit-Ref. No.121.



REF. NO.	PART NO.	DESCRIPTION	REF. NO.	PART NO.	DESCRIPTION	REF. NO.	PART NO.	DESCRIPTION
3	★391086	Seal—Oil (Magneto Side)	51B	◆272465	Gasket—Intake	943A	★690604	O-Ring Seal (Oil Pump Cover) (Used Before Code Date 98070100).
7	Δ★273280	Gasket—Cylinder Head	176	★281106	O—Ring Seal (Air Cleaner Base)	988	★691317	Gasket—Oil Adapter
9	★27803	Gasket—Breather	358	691580	Gasket Set—Engine (Used After Code Date 97100500).	1022	Δ★272475	Gasket—Rocker Cover
12	★271916	Gasket—Crankcase (.015" Standard)				1033	691581	Kit—Valve Overhaul (Used After Code Date 97100500).
		Note			Note			
		★271997 Gasket—Crankcase (.005")			495993 Gasket Set—Engine (Used Before Code Date 97100600).			495992 Kit—Valve Overhaul (Used Before Code Date 97100600).
		★271996 Gasket—Crankcase (.009")	524	★281370	Seal—Dipstick Tube			
20	★291675	Seal—Oil (PTO Side)	617	Δ★692138	O—Ring Seal (Intake Manifold)			
51	◆273650	Gasket—Intake	691	★491323	Seal—Governor Shaft			
51A	Δ★272569	Gasket—Intake (Used Before Code Date 97100600).	842	★270920	O—Ring Seal			
			868	Δ★690968	Seal—Valve			
			883	Δ★272293	Gasket—Exhaust			

★ Included in Gasket Set—Ref. No. 358.
 Δ Included in Valve Overhaul Kit—Ref. No. 1033.

◆ Included in Carburetor Gasket Set—Ref. No. 977.
 ● Included in Carburetor Overhaul Kit—Ref. No. 121.