

289700 to 289799

Illustrated Parts List

Model Series

289700 to 289799

TYPE NUMBERS

0101, 0102, 0103,
0113 through 0117,
0120, 0121, 0130,
0150, 0154, 0168,
0169, 0170, 0171,
0179, 0186, 0604,
0615, 0654, 0686,
0689, 1101, 1102,
1107, 1119, 1120,
1121, 1150, 1151,
1154, 1155, 1171,
1179, 1186, 1199,
1200, 1201.

TO FIND

**THE CORRECT NUMBER OF THE PART YOU NEED:
FOLLOW THE INSTRUCTIONS BELOW**

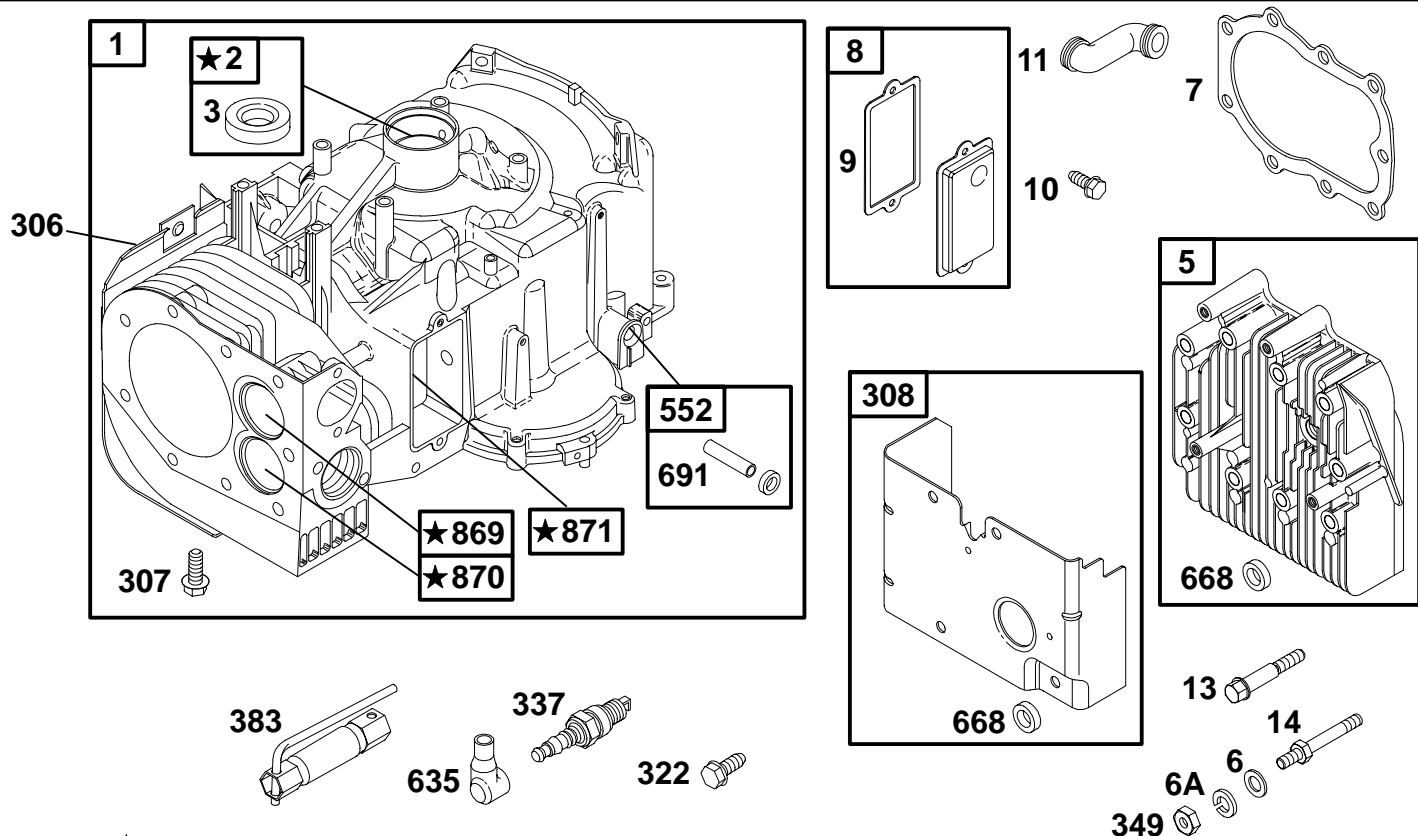
- A. Refer to Engine Model, Type and Code Number that is stamped on the blower housing of engine. Engine type numbers such as 0123 01 are listed only as 0123 in most instances. The two digits (01 or 02, etc.) to the right of the space may be required for more accurate parts identification in some instances. Select the Illustrated Parts List covering the correct Model Series and Type Number.
- B. Refer to the Illustrations and compare the original part with Illustration. The number next to the illustration is the Reference Number. Assemblies include all parts shown in frames. All parts shown in assembly frames having individual reference numbers can be purchased separately.
- C. After the Reference Number has been identified, refer to the Numerical text, where Reference and Primary Part Number are listed. **THE PRIMARY PART IS USED ON ALL TYPE NUMBERS EXCEPT THOSE TYPE NUMBERS UNDER "NOTE."**
- D. If a "Note" appears below the Primary Part Number, it means that this part differs from the Primary Part for certain types. If your Type number is listed under "Note," order the part referred to at the "Note."
- E. If your Engine Type Number does not appear after any part number listed under "Note," use the Primary Part Number.
- F. For Engine Type Numbers not covered by this book, check other Parts Lists having the same engine model or contact your source of supply.

PRINTED IN U.S.A.



COPYRIGHT by BRIGGS & STRATTON CORPORATION
All rights reserved. No part of this material may be reproduced or transmitted, in any form or by any means, electronic or mechanical, including photocopying, recording or by any information storage and retrieval system, without permission in writing from Briggs & Stratton Corporation.

289700 to 289799



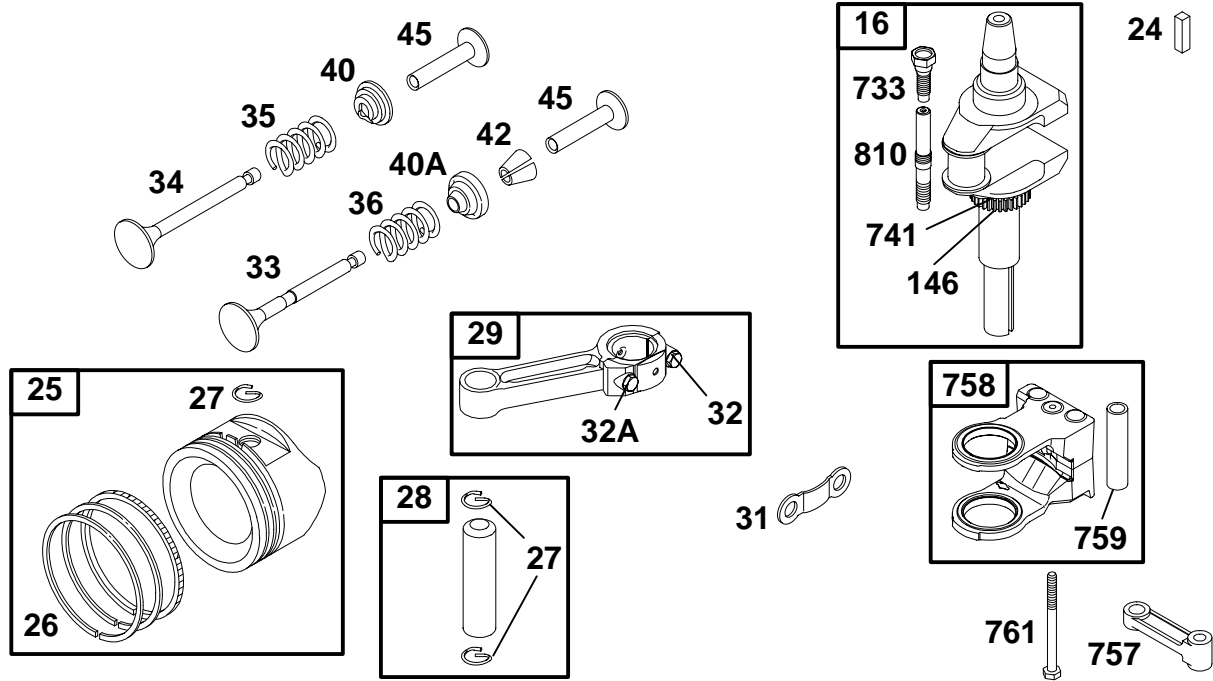
★ REQUIRES SPECIAL TOOLS TO INSTALL. SEE REPAIR INSTRUCTION MANUAL.

1019 KIT-LABEL **1058 OWNER'S MANUAL**

REF. NO.	PART NO.	DESCRIPTION	REF. NO.	PART NO.	DESCRIPTION	REF. NO.	PART NO.	DESCRIPTION
1	496413	Cylinder Assembly	14	691109	Stud (Cylinder Head)	869	261463	Seat-Valve (Intake)
2	399265	Kit-Bushing/Seal (Magneto Side)	306	690459	Shield-Cylinder	870	262924	Seat-Valve (Exhaust)
3	★391086	Seal-Oil (Magneto Side)	307	94930	Screw (Cylinder Shield)	871	261961	Bushing-Valve Guide (Exhaust)
5	494240	Head-Cylinder	308	491490	Cover-Cylinder Head	———— Note ————		
6	691261	Washer (Cylinder Head)	322	94786	Screw (Cylinder Head Cover)	231218		Bushing-Valve Guide (Intake, Brass)
6A	691075	Washer (Cylinder Head)	337	802592	Sparkplug	1019	491255	Kit-Label
7	★∅271866	Gasket-Cylinder Head	349	691105	Nut (Cylinder Head Cover)	1058	274787	Owner's Manual (Emission)
8	495735	Breather Assembly	383	89838	Wrench-Sparkplug	———— Note ————		
9	★∅27803	Gasket-Breather	552	491986	Bushing-Governor Crank	272697		Owner's Manual (Non Emission)
10	691666	Screw (Breather Assembly)	635	66538	Boot-Sparkplug			
11	280100	Tube-Breather	668	690510	Spacer			
13	94622	Screw (Cylinder Head)	691	★491323	Seal-Governor Shaft			

★ Included in Engine Gasket Set-Ref. 358.
 ∅ Included in Valve Gasket Set-Ref. 1095.

● Included in Carburetor Overhaul Kit-Ref. 121 & 121A.
 ◆ Included in Carburetor Gasket Set-Ref. 977 & 977A.

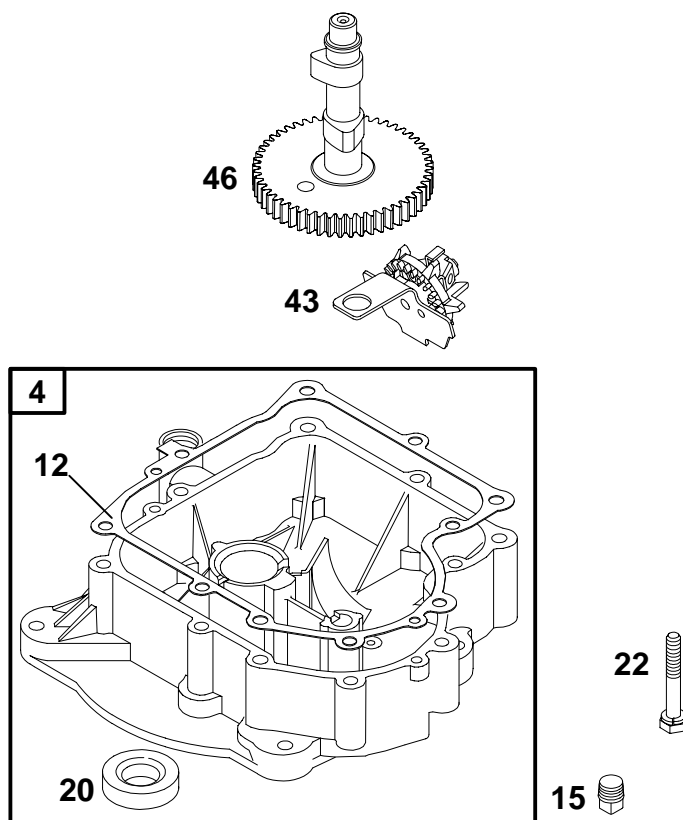


REF. NO.	PART NO.	DESCRIPTION	REF. NO.	PART NO.	DESCRIPTION	REF. NO.	PART NO.	DESCRIPTION
16	693944	Crankshaft (Used After Code Date 95073100). Note 498971 Crankshaft (Used Before Code Date 95080100).	27	691299	Lock-Piston Pin (Used After Code Date 95101500). Note 260924 Lock-Piston Pin (Used Before Code Date 95101600).	31	222299	Lock-Rod Screw
24	222698	Key-Flywheel	28	498319	Pin-Piston (Standard) (Used After Code Date 95101500). Note 299691 Pin-Piston (Standard) (Used Before Code Date 95101600).	32	690348	Screw (1 5/8" Long) (Connecting Rod)
25	499282	Piston Assembly (Standard) Note 499288 Piston Assembly (.010" O.S.) 499292 Piston Assembly (.020" O.S.) 499296 Piston Assembly (.030" O.S.)	29	494504	Rod-Connecting (Standard) Note 495490 Rod-Connecting (.020" Undersize)	32A	690356	Screw (1 7/8" Long) (Connecting Rod)
26	391780	Ring Set (Standard) Note 392331 Ring Set (Chrome Standard) 499997 Ring Set (.010" O.S.) 499998 Ring Set (.020" O.S.) 499999 Ring Set (.030" O.S.)				33	262246	Valve-Exhaust
						34	262247	Valve-Intake
						35	65906	Spring-Valve (Intake)
						36	26828	Spring-Valve (Exhaust)
						40	221596	Retainer-Valve
						40A	292260	Retainer-Valve
						42	494553	Keeper-Valve
						45	262248	Tappet-Valve
						146	94196	Key-Timing
						733	94673	Screw (Crankshaft Extension)
						741	691284	Gear-Timing
						757	213998	Link-Counterweight
						758	692423	Counterweight
						759	691239	Pin-Counterweight
						761	691096	Screw (Counterweight)
						810	231828	Extension-Crankshaft

★ Included in Engine Gasket Set-Ref. 358.
 ∅ Included in Valve Gasket Set-Ref. 1095.

● Included in Carburetor Overhaul Kit-Ref. 121 & 121A.
 ◆ Included in Carburetor Gasket Set-Ref. 977 & 977A.

289700 to 289799



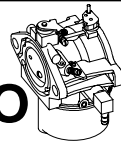
REF. NO.	PART NO.	DESCRIPTION	REF. NO.	PART NO.	DESCRIPTION	REF. NO.	PART NO.	DESCRIPTION
4	494238	Sump-Engine	15	94239	Plug-Oil Drain	20	★291675	Seal-Oil (PTO Side)
12	★271916	Gasket-Crankcase (.015" Thick, Standard)			Note	22	692125	Screw (Crankcase Cover/Sump)
		Note		94880	Plug-Oil Drain (Flush)	43	490815	Slinger-Governor/Oil
		★271997 Gasket-Crankcase (.005" Thick)			Used on Type No(s). 0154, 0654.	46	212897	Camshaft
		★271996 Gasket-Crankcase (.009" Thick)						

★ Included in Engine Gasket Set-Ref. 358.
 ∅ Included in Valve Gasket Set-Ref. 1095.

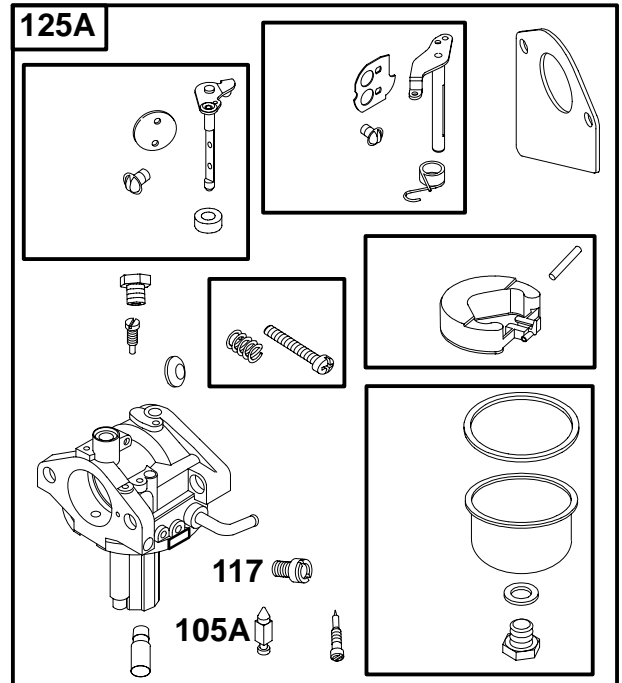
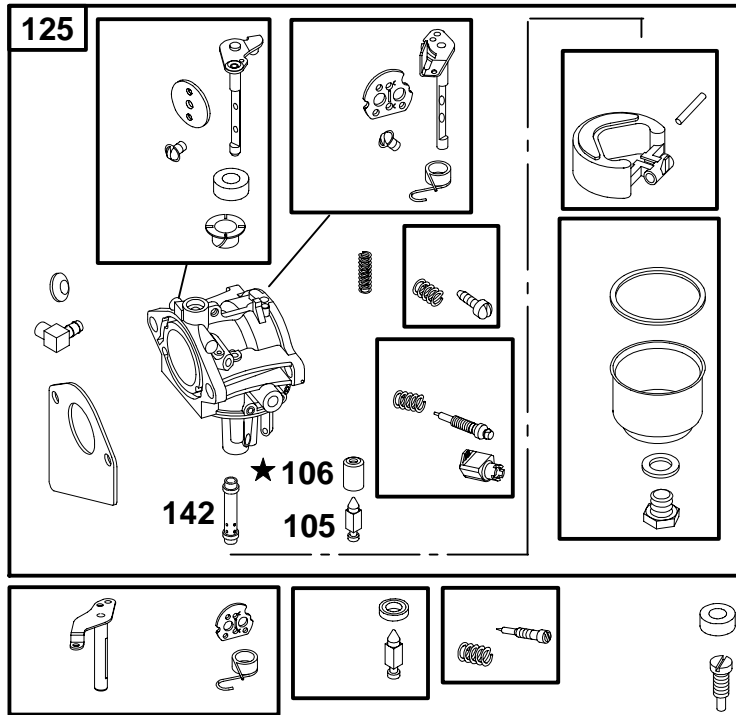
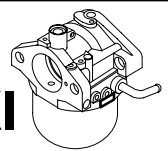
● Included in Carburetor Overhaul Kit-Ref. 121 & 121A.
 ◆ Included in Carburetor Gasket Set-Ref. 977 & 977A.

★ REQUIRES SPECIAL TOOLS TO INSTALL. SEE REPAIR INSTRUCTION MANUAL.

WALBRO



NIKKI



SEE NEXT PAGE FOR COMPONENT SERVICE

REF. NO.	PART NO.	DESCRIPTION	REF. NO.	PART NO.	DESCRIPTION	REF. NO.	PART NO.	DESCRIPTION
105	●231855	Valve-Float Needle	117	●690880	Main Jet	142	●691434	Nozzle-Carburetor (LMT 92, 96)
105A	●694922	Valve-Float Needle			Note			Note
106	●231854	Seat-Inlet (Gravity Feed)			●694925 Jet-Main (High Altitude)			●691425 Nozzle-Carburetor (LMT 5, 6, 37, 41, 77, 81, 157)
		Note	125	498027	Carburetor (Walbro)			497737 Nozzle-Carburetor (High Altitude) (LMT 92, 96)
		●231856 Seat-Inlet (Pump Feed, LMT 5, 6)	125A	694941	Carburetor (Nikki)			497567 Nozzle-Carburetor (High Altitude) (LMT 5, 6, 37, 41, 77, 81, 157)

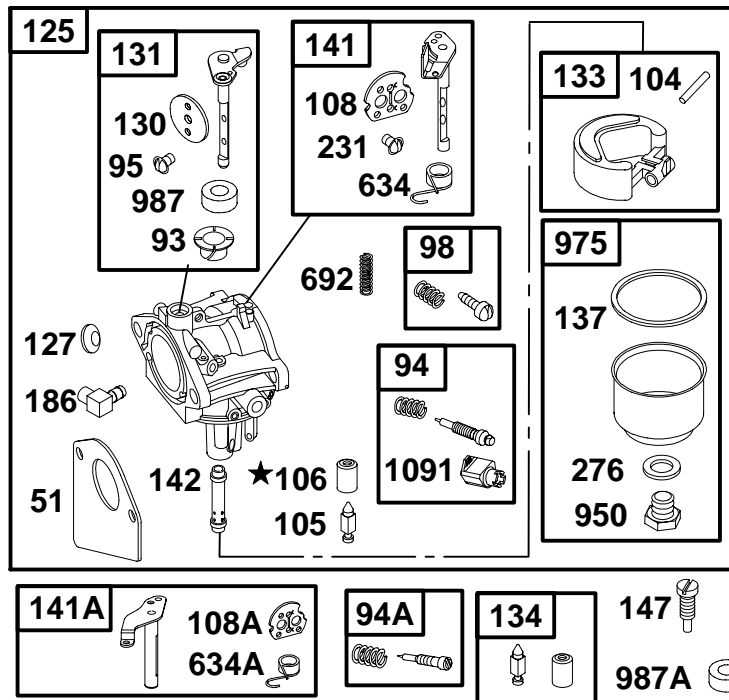
★ Included in Engine Gasket Set-Ref. 358.
 ∅ Included in Valve Gasket Set-Ref. 1095.

● Included in Carburetor Overhaul Kit-Ref. 121 & 121A.
 ◆ Included in Carburetor Gasket Set-Ref. 977 & 977A.

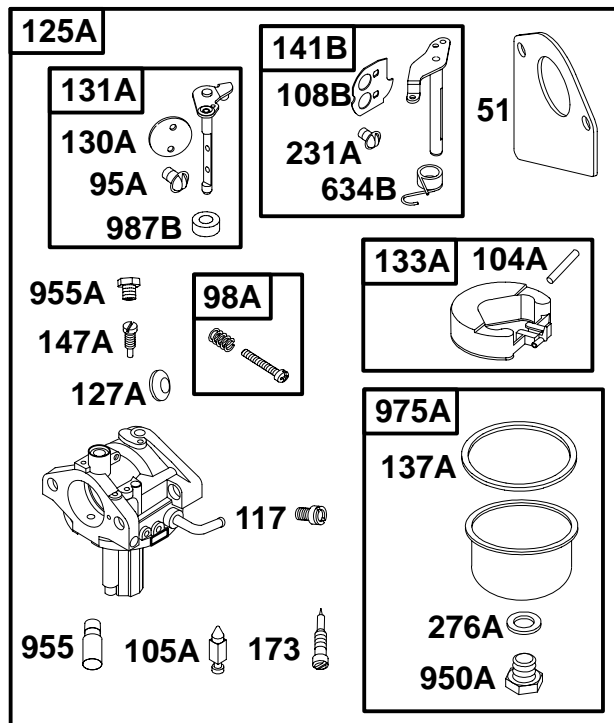
289700 to 289799

★ REQUIRES SPECIAL TOOLS TO INSTALL. SEE REPAIR INSTRUCTION MANUAL.

WALBRO



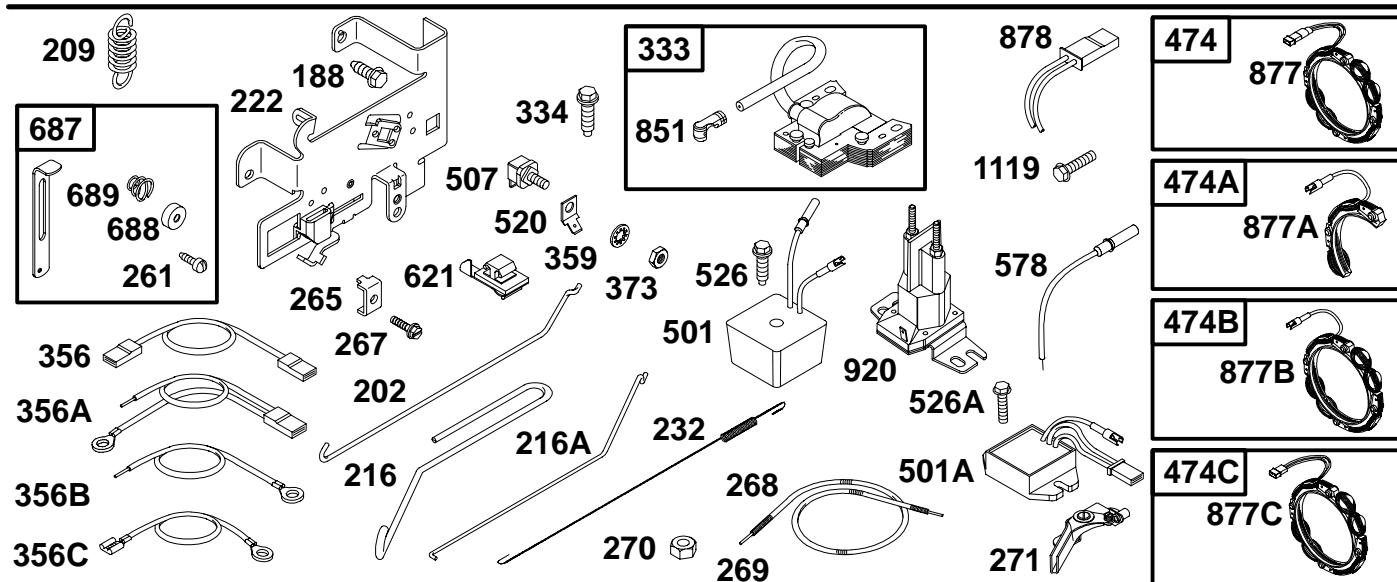
NIKKI



REF. NO.	PART NO.	DESCRIPTION	REF. NO.	PART NO.	DESCRIPTION	REF. NO.	PART NO.	DESCRIPTION
51	●272465	Gasket-Intake	125		Carburetor (Walbro) (See Previous Page)	147A	●694927	Jet-Pilot
93	690602	Bushing-Throttle Shaft				173	694926	Valve-Idle Mixture
94	498030	Kit-Idle Mixture	125A		Carburetor (Nikki) (See Previous Page)	186	493496	Connector-Hose
94A	494383	Kit-Idle Mixture				231	●94098	Screw (Choke Valve)
95	●94098	Screw (Throttle Valve)				231A	●690718	Screw (Choke Valve)
95A	●690718	Screw (Throttle Valve)	127	●695005	Plug-Welch	276	●281164	Washer-Sealing
98	495800	Kit-Idle Speed	127A	●694916	Plug-Welch	276A	●690997	Washer-Sealing
98A	694907	Kit-Idle Speed	130	224539	Valve-Throttle	634	●690801	Spring/Seal Assembly (Manual Choke)
104	●690525	Pin-Float Hinge	130A	694917	Valve-Throttle	634A	●690802	Spring/Seal Assembly (Choke A Matic)
104A	●694918	Pin-Float Hinge	131	494379	Kit-Throttle Shaft	634B	●694912	Spring/Seal Assembly
105		Valve-Float Needle (See Previous Page)	131A	694909	Kit-Throttle Shaft	692	690572	Spring-Detent
105A		Valve-Float Needle (See Previous Page)	133	494381	Float-Carburetor	950	94642	Screw-Float Bowl
106		Seat-Inlet (See Previous Page)	133A	694914	Float-Carburetor	950A	694919	Screw-Float Bowl
108	690464	Choke Valve (Manual Choke)	134	494788	Kit-Needle/Seat (LMT 5, 6)	955	●694924	Plug-Carburetor
108A	692344	Valve-Choke (Choke A Matic)	137	●281165	Gasket-Float Bowl	955A	694921	Plug-Carburetor
108B	694923	Valve-Choke	137A	●694920	Gasket-Float Bowl	975	495933	Bowl-Float
117		Jet-Main (See Previous Page)	141	495097	Kit-Choke Shaft (Manual Choke)	975A	694908	Bowl-Float
			141A	495931	Kit-Choke Shaft (Choke A Matic)	987	●691326	Seal-Throttle Shaft
			141B	694913	Kit-Choke Shaft	987A	692001	Seal-Throttle Shaft (LMT 5, 6, 37, 41)
			142		Nozzle-Carburetor (See Previous Page)	987B	●690998	Seal-Throttle Shaft
			147	●497472	Jet-Pilot (LMT 37, 41, 77, 81)	1091	691333	Cap-Limiter

★ Included in Engine Gasket Set-Ref. 358.
 ∅ Included in Valve Gasket Set-Ref. 1095.

● Included in Carburetor Overhaul Kit-Ref. 121 & 121A.
 ◆ Included in Carburetor Gasket Set-Ref. 977 & 977A.

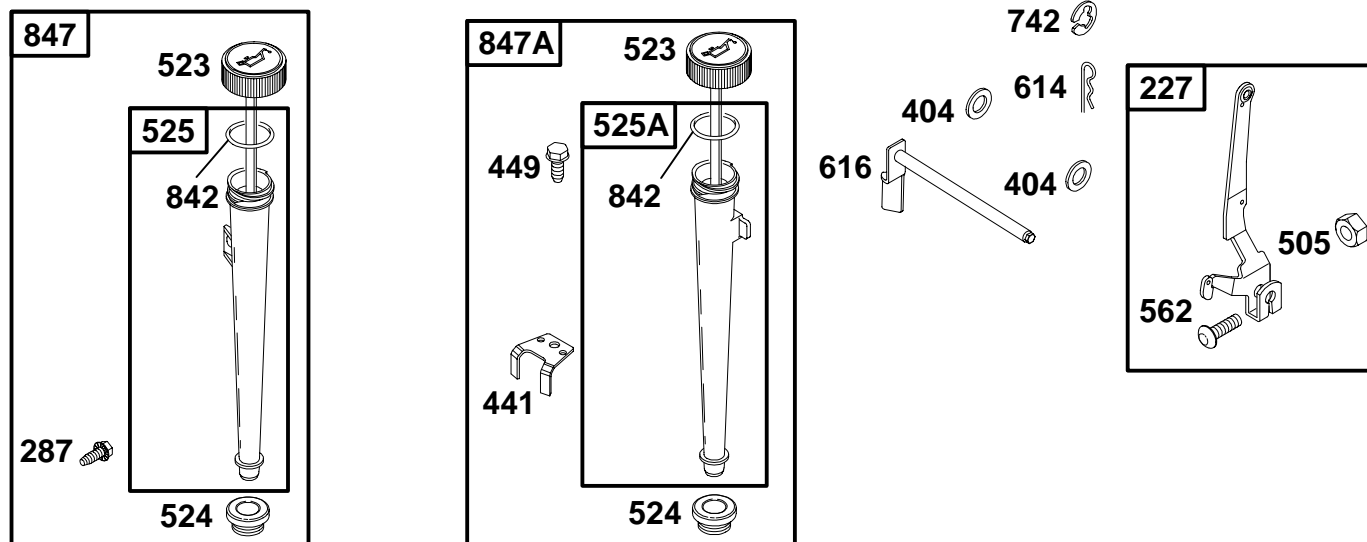


REF. NO.	PART NO.	DESCRIPTION	REF. NO.	PART NO.	DESCRIPTION	REF. NO.	PART NO.	DESCRIPTION
188	94929	Screw (Control Bracket)		494041	Bracket- Control	501	491546	Regulator (9 Amp)
202	262767	Link-Mechanical Governor			Used on Type No(s). 0115.	501A	394890	Regulator
209	260871	Spring-Governor	232	262785	Spring-Governor Link	507	398525	Insulator
		Note	261	690278	Screw (Control Slide)	520	691084	Terminal-Ground
		260695 Spring- Governor	265	221535	Clamp-Casing	526	690326	Screw (Regulator, 1 1/4" Long)
		Used on Type No(s). 0117, 0171, 1171.	267	94906	Screw (Casing Clamp)	526A	94786	Screw (Regulator, 1 7/16" Long)
		261126 Spring- Governor	268	65616	Casing-Control Wire	578	393422	Wire Assembly
		Used on Type No(s). 0120, 1120.	269	26633	Wire-Control	621	396847	Switch-Stop
		261306 Spring- Governor	270	63426	Nut (Control Wire Casing)	687	390701	Slide-Control
		Used on Type No(s). 0113, 0121, 0150, 0615 1121, 1150.	271	290568	Lever-Control	688	690395	Cap-Friction
		691278 Spring- Governor	333	492341	Armature-Magneto	689	690529	Spring-Friction (Control Side)
		Used on Type No(s). 0116, 0169, 0170, 1151, 1201.	334	94731	Screw (Magneto Armature)	851	493880	Terminal-Sparkplug
216	262766	Link-Choke	356	690799	Wire-Stop	877	393456	Wire/Connector- Alternator (Dual Circuit)
216A	690574	Link-Choke Used on Type No(s). 0115.	356A	398808	Wire-Stop	877A	393814	Wire/Connector- Alternator (DC Only)
			356B	399222	Wire-Stop	877B	393537	Wire/Connector- Alternator (Tri Circuit & 9 Amp)
			356C	399223	Wire-Stop	877C	399916	Wire/Connector- Alternator (Regulated-16 Amp)
			359	691077	Washer (Ground Terminal)	878	393362	Harness-Alternator (Dual Circuit)
222	694042	Bracket-Control (Used After Code Date 99010700).	373	90576	Nut (Ground Terminal)	920	807829	Solenoid-Starter
		Note	474	393474	Alternator (Dual Circuit)	1119	93621	Screw (Alternator)
		495611 Bracket- Control (Used Before Code Date 99010800).	474A	391529	Alternator (DC Only)			
			474B	392595	Alternator (Tri Circuit, 9 Amp, Regulated)			
			474C	393295	Alternator (Regulated)			

★ Included in Engine Gasket Set-Ref. 358.
 ∅ Included in Valve Gasket Set-Ref. 1095.

● Included in Carburetor Overhaul Kit-Ref. 121 & 121A.
 ◆ Included in Carburetor Gasket Set-Ref. 977 & 977A.

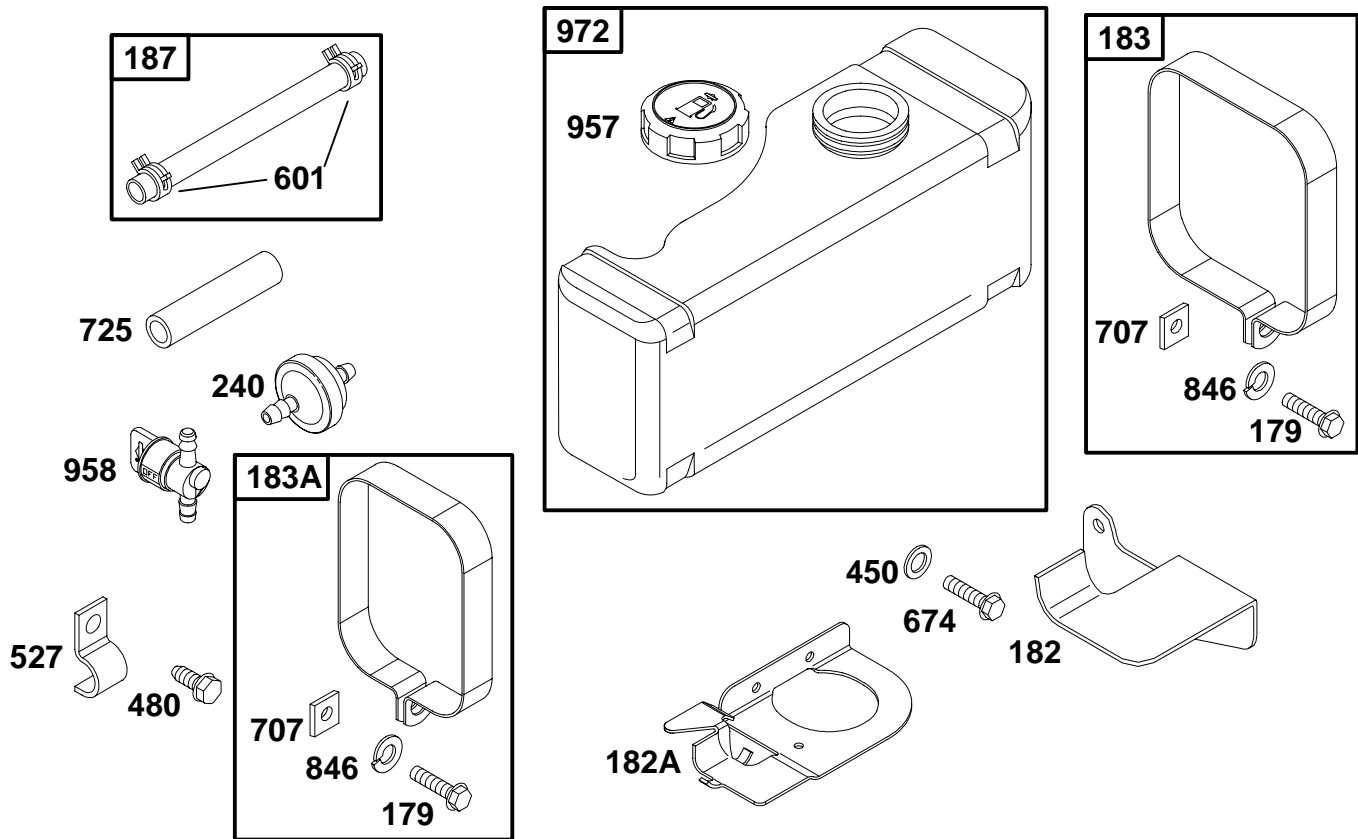
289700 to 289799



REF. NO.	PART NO.	DESCRIPTION	REF. NO.	PART NO.	DESCRIPTION	REF. NO.	PART NO.	DESCRIPTION
227	691374	Lever-Governor Control	523	495230	Dipstick	742	93307	Retainer-E Ring
287	94903	Screw (Dipstick Tube)	524	★281370	Seal-Dipstick Tube	842	★270920	Seal-O Ring (Top Of Tube & Dipstick/Cap Combo)
404	94927	Washer (Governor Crank)	525	691398	Tube-Dipstick	847	496415	Dipstick/Tube Assembly
441	224390	Bracket-Oil Fill	525A	495768	Tube-Dipstick	847A	490474	Dipstick/Tube Assembly
449	94874	Screw (Oil Fill Bracket)	562	691119	Bolt (Governor Control Lever)			
505	691251	Nut (Governor Control Lever)	614	93306	Pin-Cotter			
			616	495157	Crank-Governor			

★ Included in Engine Gasket Set-Ref. 358.
 ∅ Included in Valve Gasket Set-Ref. 1095.

● Included in Carburetor Overhaul Kit-Ref. 121 & 121A.
 ◆ Included in Carburetor Gasket Set-Ref. 977 & 977A.

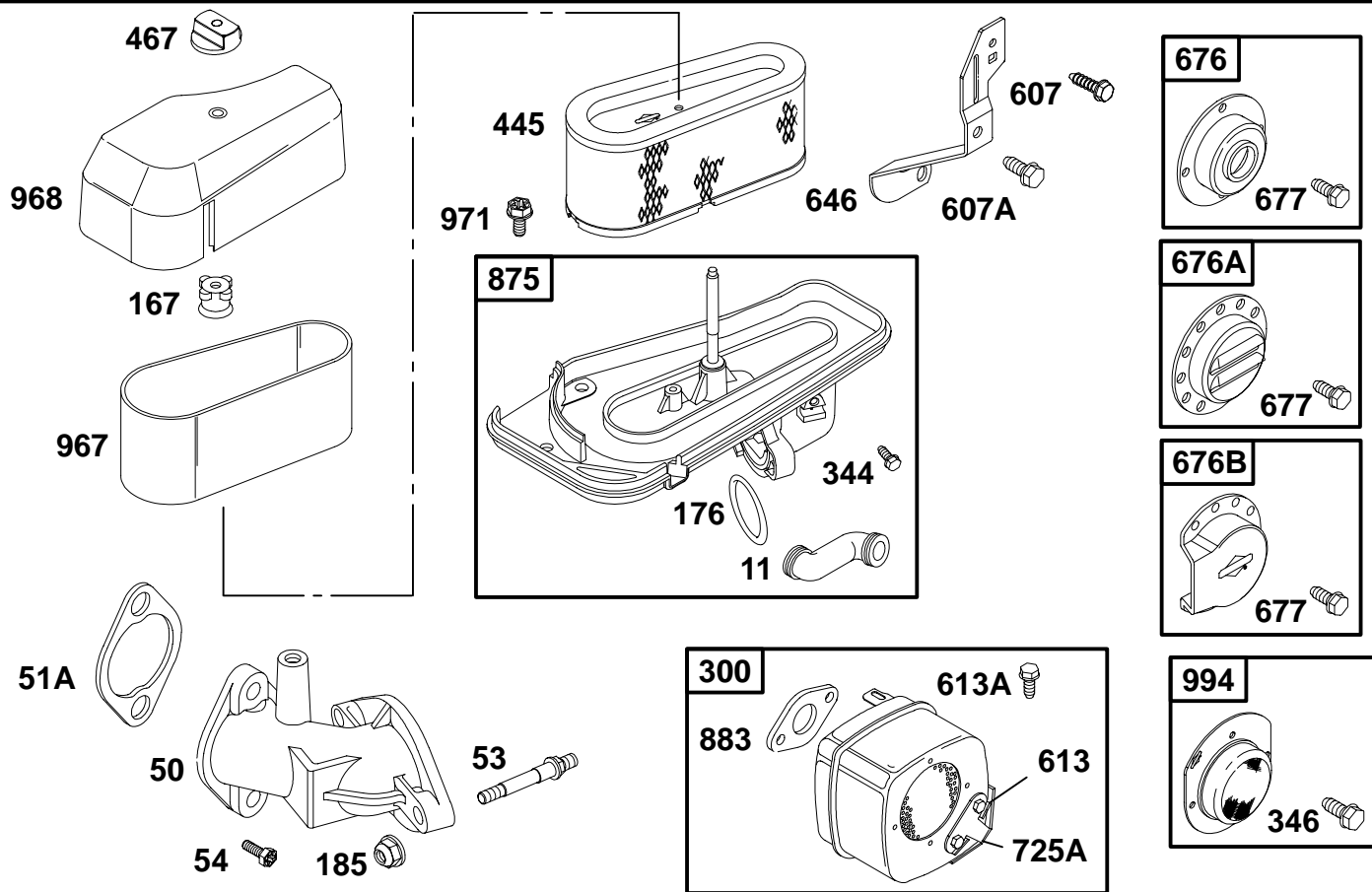


REF. NO.	PART NO.	DESCRIPTION	REF. NO.	PART NO.	DESCRIPTION	REF. NO.	PART NO.	DESCRIPTION
179	692331	Screw (Fuel Tank Strap)	450	691261	Washer (Fuel Tank Bracket; Used on Rewind Start Engines)	674	94627	Screw (Fuel Tank Bracket; Used on Rewind Start Only Engines)
182	690443	Bracket-Fuel Tank (R.H.)			Note			Note
182A	692535	Bracket-Fuel Tank (L.H.)			690259 Washer (Fuel Tank Bracket; Used on Electric Start Engines)			690341 Screw (Fuel Tank Bracket; Used on Electric Start Engines)
183	496853	Strap-Fuel Tank (R.H.)	480	94874	Screw (Tube Clamp)	707	690279	Nut (Fuel Tank Strap)
183A	496852	Strap-Fuel Tank (L.H.)	527	690394	Clamp-Tube	725	690403	Shield-Heat
187	296004	Line-Fuel (Cut to Required Length)	601	95162	Clamp-Hose	846	90832	Washer (Fuel Tank Strap)
240	298090	Filter-Fuel				957	493988	Cap-Fuel Tank
		Note				958	494768	Valve-Fuel Shutoff
		394358 Filter-Fuel Used on Type No(s). 0103, 0130, 0154, 0168, 0179, 0186, 0686, 0689, 1119, 1155, 1179, 1186, 1200.				972	390225	Tank-Fuel (3 Quart)

★ Included in Engine Gasket Set-Ref. 358.
 ∅ Included in Valve Gasket Set-Ref. 1095.

● Included in Carburetor Overhaul Kit-Ref. 121 & 121A.
 ◆ Included in Carburetor Gasket Set-Ref. 977 & 977A.

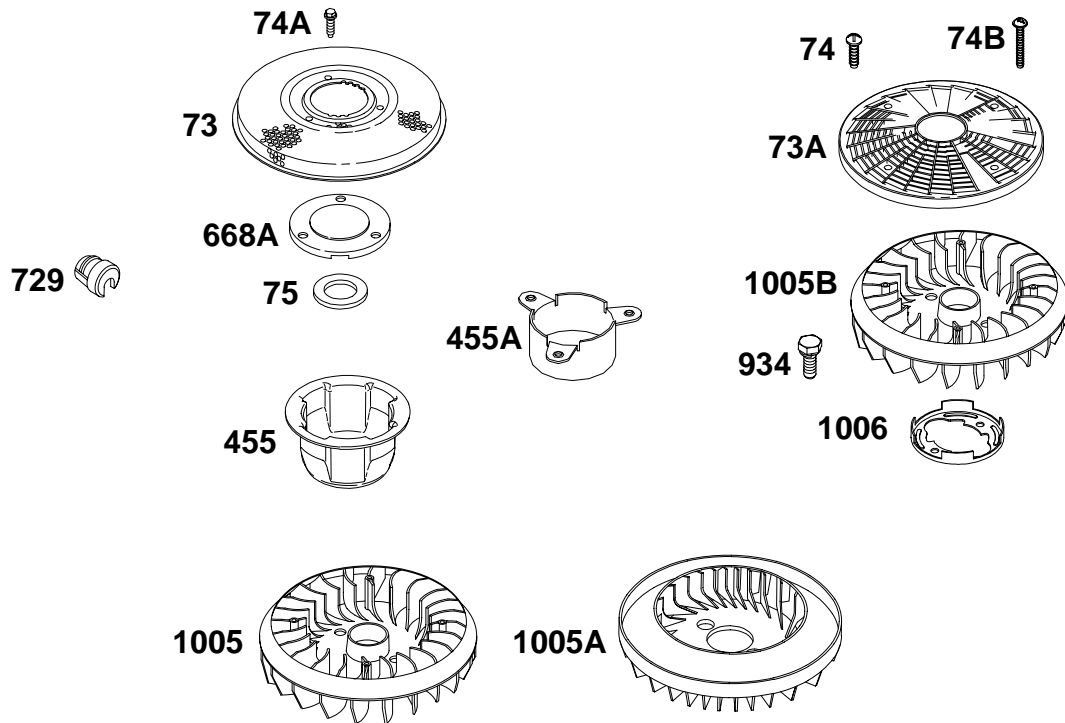
289700 to 289799



REF. NO.	PART NO.	DESCRIPTION	REF. NO.	PART NO.	DESCRIPTION	REF. NO.	PART NO.	DESCRIPTION
11	280100	Tube-Breather	607	690703	Screw (Air Cleaner Brace)	875	694942	Base-Air Cleaner (Use with <i>Nikki Carburetor</i>)
50	213819	Manifold-Intake	607A	94929	Screw (Air Cleaner Brace)	————— Note —————		
51A	★Ø272554	Gasket-Intake	613	93927	Screw (Exhaust Muffler)	693676		Base-Air Cleaner (Use with <i>Walbro Carburetor</i>)
53	691098	Stud (Carburetor)	613A	94786	Screw (Exhaust Muffler)	494237		Base-Air Cleaner (Use with <i>Walbro Carburetor</i>)
54	94913	Screw (Intake Manifold)	646	690460	Brace-Air Cleaner	98091300)		
167	281051	Seal-Air Cleaner Nut	676	396903	Deflector-Muffler	494237		Base-Air Cleaner (Use with <i>Walbro Carburetor</i>)
176	★Ø281106	Seal-O Ring (Air Cleaner Base)	676A	397630	Deflector-Muffler	98091400)		
185	94010	Nut (Air Cleaner Base)	676B	393761	Deflector-Muffler	883	★Ø272293	Gasket-Exhaust
300	491413	Muffler	677	94896	Screw (Muffler Deflector)	967	272403	Filter-Pre Cleaner
344	693675	Screw (Cable Clamp)	725A	690420	Shield-Heat	968	281104	Cover-Air Cleaner
346	94896	Screw (Spark Arrestor)				971	692126	Screw (Air Cleaner Base)
445	496894	Filter-Air Cleaner Cartridge				994	392390	Arrestor-Spark
467	493903	Knob-Air Cleaner						

★ Included in Engine Gasket Set-Ref. 358.
 Ø Included in Valve Gasket Set-Ref. 1095.

● Included in Carburetor Overhaul Kit-Ref. 121 & 121A.
 ◆ Included in Carburetor Gasket Set-Ref. 977 & 977A.



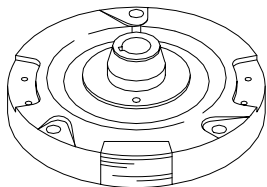
REF. NO.	PART NO.	DESCRIPTION	REF. NO.	PART NO.	DESCRIPTION	REF. NO.	PART NO.	DESCRIPTION
73	224517	Screen—Rotating —— Note —— 691191 Screen—Rotating Used on Type No(s). 0115.	74	93758	Screw (Rotating Screen, Hex Head)	455	695113	Cup—Flywheel
73A	691055	Screen—Rotating (Used After Code Date 00040200). —— Note —— 494439 Screen—Rotating (Used Before Code Date 00040300).	74A	94626	Screw (Rotating Screen, Phillips Head)	455A	691173	Cup—Flywheel
			74B	691057	Screw (Rotating Screen, Hex Head Tapping) (Used After Code Date 00040200). —— Note —— 94821 Screw (Rotating Screen) (Used Before Code Date 00040300).	668A	691323	Spacer
			75	225136	Washer (Flywheel)	729	690596	Clip—Wire
						934	94627	Screw (Fan Retainer)
						1005	695056	Fan—Flywheel (Used After Code Date 99102400).
						1005A	280687	Fan—Flywheel (Used Before Code Date 99102500).
						1005B	281400	Fan—Flywheel Used on Type No(s). 1186.
						1006	690452	Retainer—Fan

★ Included in Engine Gasket Set—Ref. 358.
 ∅ Included in Valve Gasket Set—Ref. 1095.

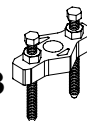
● Included in Carburetor Overhaul Kit—Ref. 121 & 121A.
 ◆ Included in Carburetor Gasket Set—Ref. 977 & 977A.

289700 to 289799

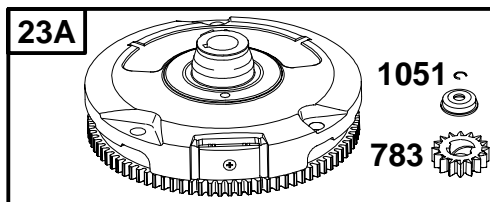
23



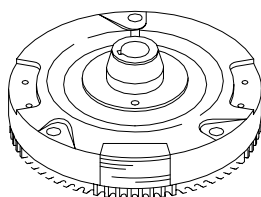
363



23A



23B



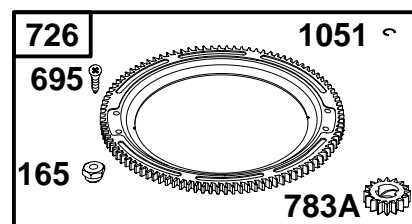
726

1051

695

165

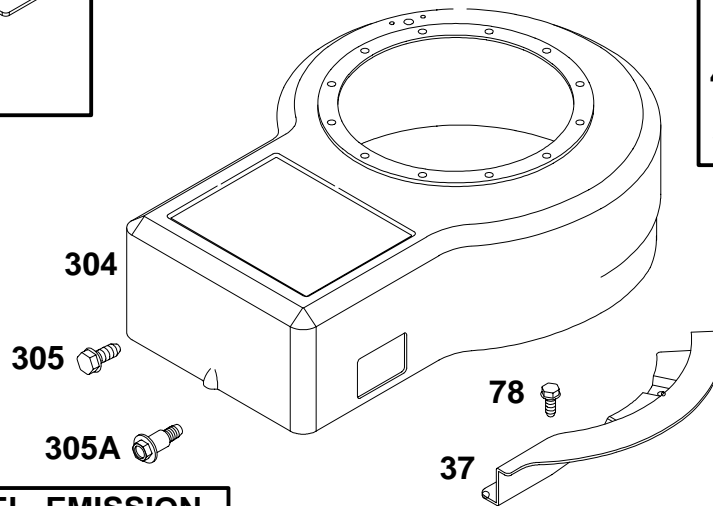
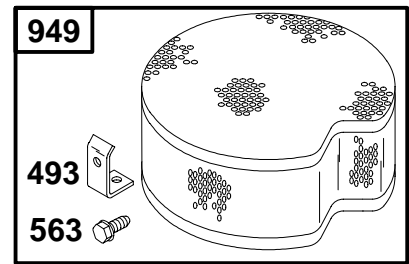
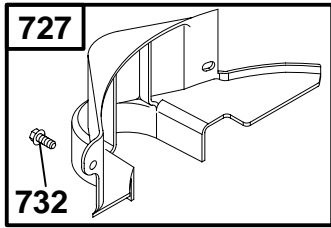
783A



REF. NO.	PART NO.	DESCRIPTION	REF. NO.	PART NO.	DESCRIPTION	REF. NO.	PART NO.	DESCRIPTION
23	693555	Flywheel (For Rewind Starter Engines) (Used After Code Date 98091300) Used on Type No(s). 1151. ———— Note ———— 690775 Flywheel (Used Before Code Date 98091400) Used on Type No(s). 1151.	23A	693557	Flywheel (Steel Ring Gear) (Used After Code Date 98091300) ———— Note ———— 693556 Flywheel (Steel Ring Gear) (Used After Code Date 98091300) Used on Type No(s). 0150, 1119, 1150, 1200.	165	693148	Nut (Ring Gear)
			23B	692682	Flywheel (Plastic Ring Gear) (Used Before Code Date 98091400) ———— Note ———— 692682 Flywheel (Plastic Ring Gear) (Used Before Code Date 98091400) Used on Type No(s). 0150, 1119, 1150.	363	19203	Flywheel Puller
						695	693109	Screw (Ring Gear)
						726	399676	Gear-Ring (Aluminum-Services Plastic Ring Gear Only)
						783	693713	Gear-Pinion (For Steel Ring Gear Only)
						783A	693059	Gear-Pinion (For Aluminum Ring Gear Only)
						1051	263080	Ring-Retaining

★ Included in Engine Gasket Set-Ref. 358.
 ∅ Included in Valve Gasket Set-Ref. 1095.

● Included in Carburetor Overhaul Kit-Ref. 121 & 121A.
 ◆ Included in Carburetor Gasket Set-Ref. 977 & 977A.



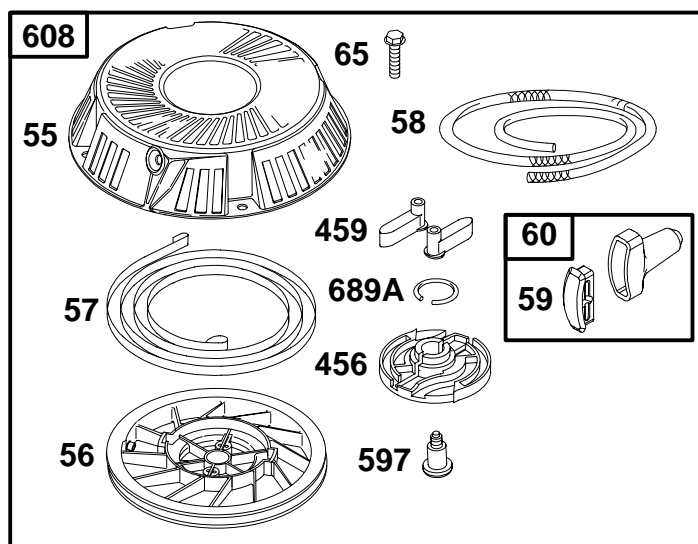
1036 LABEL-EMISSION

REF. NO.	PART NO.	DESCRIPTION	REF. NO.	PART NO.	DESCRIPTION	REF. NO.	PART NO.	DESCRIPTION
37	690456	Guard-Flywheel			494269 Housing-Blower (Black) (Used Before Code Date 93071900).	1036	695699	Label-Emission (Used After Code Date 00063000).
37A	690806	Guard-Flywheel			690845 Housing-Blower (Black) Used on Type No(s). 0186, 0686, 1186.			Note
78	94896	Screw (Flywheel Guard)						695036 Label-Emission (Used After Code Date 99093000 and Before Code Date 00070100).
304	691400	Housing-Blower (Red) (Used After Code Date 93071800).						694325 Label-Emission (Used After Code Date 99100100 and Before Code Date 98123100).
		494268 Housing-Blower (Red) (Used Before Code Date 93071900).	305	94786	Screw (Blower Housing)			499362 Label-Emission (Used After Code Date 99010100 and Before Code Date 97052500).
		695065 Housing-Blower (Black) (Used After Code Date 00022000). Used on Type No(s). 1151.	305A	692127	Screw (Blower Housing)			499361 Label-Emission (Used Before Code Date 97052600).
		690846 Housing-Blower (Black) (Used Before Code Date 00022100 and After Code Date 93071800). Used on Type No(s). 1151.	493	692825	Bracket-Mounting			
			563	94902	Screw (Debris Screen Guard)			
			727	490324	Cover-Starter Drive			
			732	94903	Screw (Starter Drive Cover)			
			949	397530	Guard-Debris Screen			

★ Included in Engine Gasket Set-Ref. 358.
 ∅ Included in Valve Gasket Set-Ref. 1095.

● Included in Carburetor Overhaul Kit-Ref. 121 & 121A.
 ◆ Included in Carburetor Gasket Set-Ref. 977 & 977A.

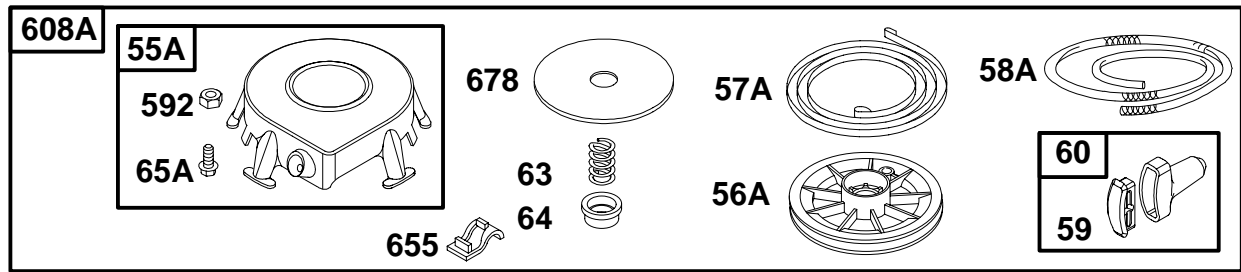
289700 to 289799



REF. NO.	PART NO.	DESCRIPTION	REF. NO.	PART NO.	DESCRIPTION	REF. NO.	PART NO.	DESCRIPTION
55	695130	Housing–Rewind Starter (Used After Code Date 99102400). ———— Note ——— 695130 Housing–Rewind Starter (Used After Code Date 00022000). Used on Type No(s). 1151.	58	695132	Rope–Starter (Used After Code Date 99102400). ———— Note ——— 695132 Rope–Starter (Used After Code Date 00022000). Used on Type No(s). 1151.	459	281505	Pawl–Ratchet (Used After Code Date 99102400). ———— Note ——— 281505 Pawl–Ratchet (Used After Code Date 00022000). Used on Type No(s). 1151.
56	695129	Pulley–Starter (Used After Code Date 99102400). ———— Note ——— 695129 Pulley–Starter (Used After Code Date 00022000). Used on Type No(s). 1151.	59	490653	Insert–Grip	597	94943	Screw (Pawl Friction Plate) (Used After Code Date 99102400). ———— Note ——— 94943 Screw (Used After Code Date 00022000). Used on Type No(s). 1151.
57	695131	Spring–Rewind Starter (Used After Code Date 99102400). ———— Note ——— 695131 Spring–Rewind Starter (Used After Code Date 00022000). Used on Type No(s). 1151.	60	490652	Grip–Starter Rope	608	695058	Starter–Rewind (Used After Code Date 99102400). ———— Note ——— 695058 Starter–Rewind (Used After Code Date 00022000). Used on Type No(s). 1151.
			65	695453	Screw (Rewind Starter) (Used After Code Date 99102400). ———— Note ——— 695453 Screw (Rewind Starter) (Used After Code Date 00022000). Used on Type No(s). 1151.	689A	263073	Spring–Friction (Used After Code Date 99102400). ———— Note ——— 263073 Spring–Friction (Used After Code Date 00022000). Used on Type No(s). 1151.
			456	695128	Plate–Pawl Friction (Used After Code Date 99102400). ———— Note ——— 695128 Plate–Pawl Friction (Used After Code Date 00022000). Used on Type No(s). 1151.			

★ Included in Engine Gasket Set–Ref. 358.
 ∅ Included in Valve Gasket Set–Ref. 1095.

● Included in Carburetor Overhaul Kit–Ref. 121 & 121A.
 ◆ Included in Carburetor Gasket Set–Ref. 977 & 977A.

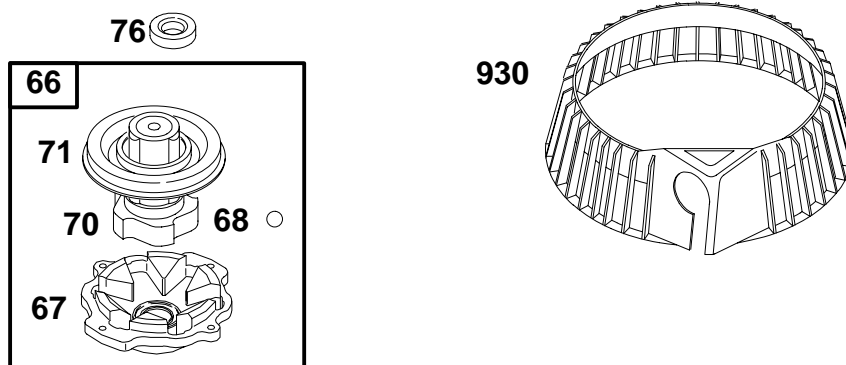


REF. NO.	PART NO.	DESCRIPTION	REF. NO.	PART NO.	DESCRIPTION	REF. NO.	PART NO.	DESCRIPTION
55A	393576	Housing-Rewind Starter (Used Before Code Date 99102500). Note 393576 Housing-Rewind Starter (Used Before Code Date 00022100). Used on Type No(s) 1151.	59	490653	Insert-Grip	592	94908	Nut (Rewind Starter) (Used Before Code Date 99102500). Note 94908 Nut (Rewind Starter) (Used Before Code Date 00022100). Used on Type No(s) 1151.
56A	295871	Pulley-Starter (Used Before Code Date 99102500). Note 295871 Pulley-Starter (Used Before Code Date 00022100). Used on Type No(s) 1151.	60	490652	Grip-Starter Rope	608A	390391	Starter-Rewind (Used Before Code Date 99102500). Note 390391 Starter-Rewind (Used Before Code Date 00022100). Used on Type No(s) 1151.
57A	490179	Spring-Rewind Starter (Used Before Code Date 99102500). Note 490179 Spring-Rewind Starter (Used Before Code Date 00022100). Used on Type No(s) 1151.	63	260414	Spring-Ratchet (Used Before Code Date 99102500). Note 260414 Spring-Ratchet (Used Before Code Date 00022100). Used on Type No(s) 1151.	655	222598	Anchor-Rewind Spring (Used Before Code Date 99102500). Note 222598 Anchor-Rewind Spring (Used Before Code Date 00022100). Used on Type No(s) 1151.
58A	66884	Rope-Starter (Used Before Code Date 99102500). Note 66884 Rope-Starter (Used Before Code Date 00022100). Used on Type No(s) 1151.	64	281204	Adapter-Ratchet Spring (Used Before Code Date 99102500). Note 281204 Adapter-Ratchet Spring (Used Before Code Date 00022100). Used on Type No(s) 1151.	678	490817	Spacer-Rewind (Used Before Code Date 99102500). Note 490817 Spacer-Rewind (Used Before Code Date 00022100). Used on Type No(s) 1151.
			65A	94904	Screw (Rewind Starter) (Used Before Code Date 99102500). Note 94904 Screw (Rewind Starter) (Used Before Code Date 00022100). Used on Type No(s) 1151.			

★ Included in Engine Gasket Set-Ref. 358.
 ∅ Included in Valve Gasket Set-Ref. 1095.

● Included in Carburetor Overhaul Kit-Ref. 121 & 121A.
 ◆ Included in Carburetor Gasket Set-Ref. 977 & 977A.

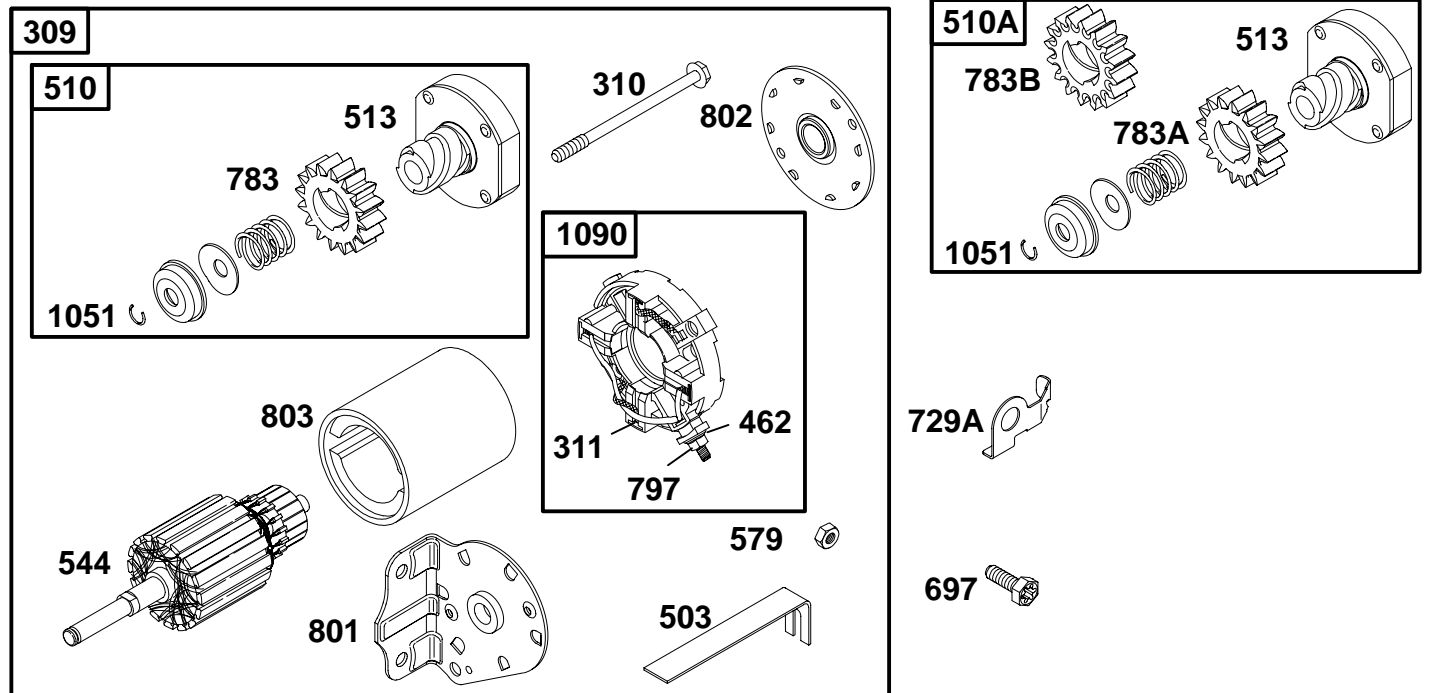
289700 to 289799



REF. NO.	PART NO.	DESCRIPTION	REF. NO.	PART NO.	DESCRIPTION	REF. NO.	PART NO.	DESCRIPTION
66	399671	Clutch-Starter (Used Before Code Date 99102500). ----- Note ----- 399671 Clutch-Starter (Used Before Code Date 00022100). Used on Type No(s). 1151.	68	63770	Ball-Clutch (Used Before Code Date 99102500). ----- Note ----- 63770 Ball-Clutch (Used Before Code Date 00022100). Used on Type No(s). 1151.	71	691359	Cover-Ratchet (Used Before Code Date 99102500). ----- Note ----- 691359 Cover-Ratchet (Used Before Code Date 00022100). Used on Type No(s). 1151.
67	394897	Clutch-Housing (Used Before Code Date 99102500). ----- Note ----- 394897 Clutch-Housing (Used Before Code Date 00022100). Used on Type No(s). 1151.	70	298799	Ratchet-Clutch (Used Before Code Date 99102500). ----- Note ----- 298799 Ratchet-Clutch (Used Before Code Date 00022100). Used on Type No(s). 1151.	76	68238	Seal-Ratchet (Used Before Code Date 99102500). ----- Note ----- 68238 Seal-Ratchet (Used Before Code Date 00022100). Used on Type No(s). 1151.
						930	280685	Guard-Rewind (Used Before Code Date 99102500). ----- Note ----- 280685 Guard-Rewind (Used Before Code Date 00022100). Used on Type No(s). 1151.

★ Included in Engine Gasket Set-Ref. 358.
∅ Included in Valve Gasket Set-Ref. 1095.

● Included in Carburetor Overhaul Kit-Ref. 121 & 121A.
◆ Included in Carburetor Gasket Set-Ref. 977 & 977A.

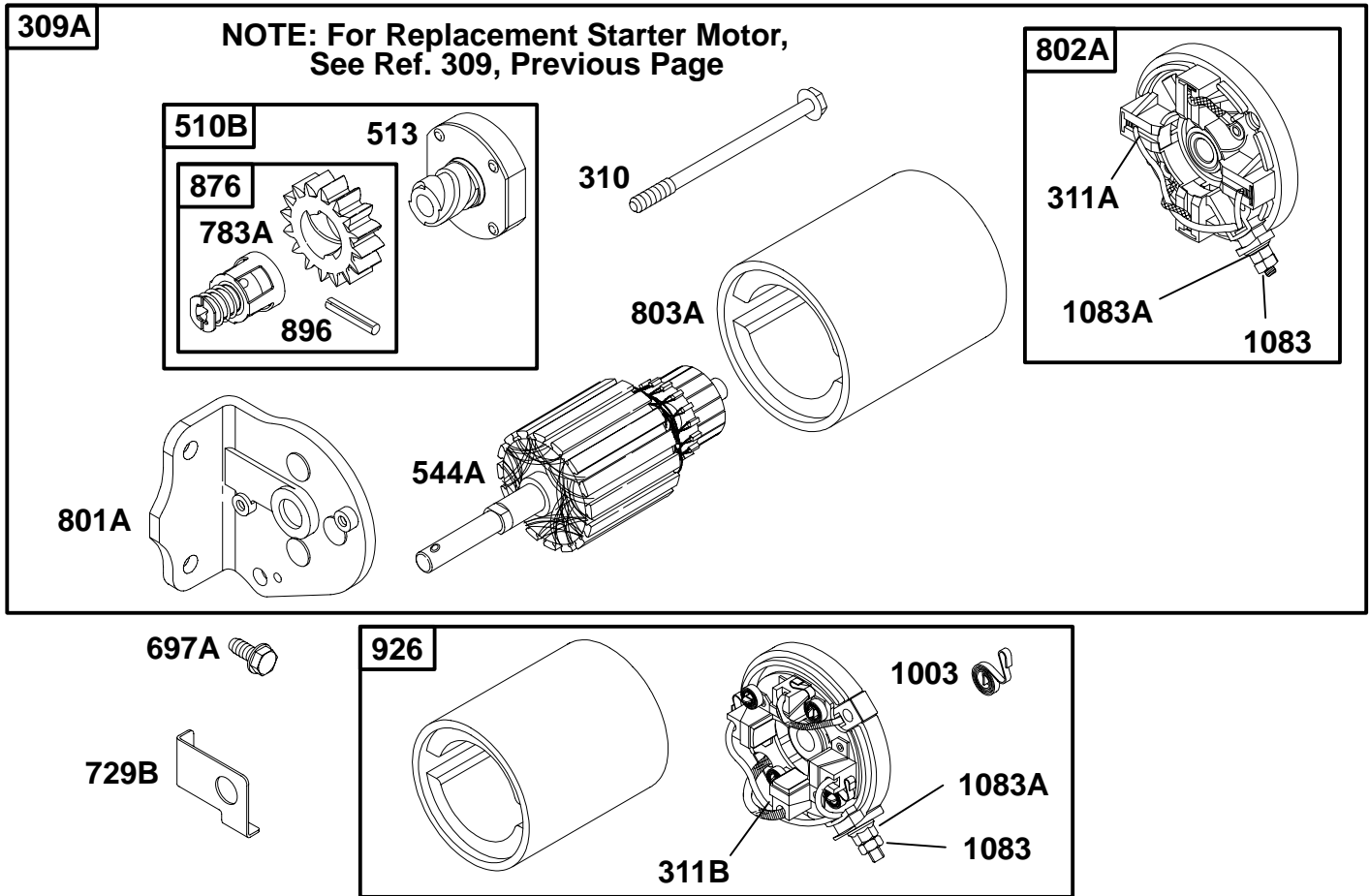


REF. NO.	PART NO.	DESCRIPTION	REF. NO.	PART NO.	DESCRIPTION	REF. NO.	PART NO.	DESCRIPTION
309	693551	Motor-Starter (3 5/8" Housing Length For Steel Ring Gear Only)	310	690323	Bolt (Starter Motor 3 5/8" Housing Length)	783	693713	Gear-Pinion (For Steel Ring Gear Only)
		Note			Note	783A	693059	Gear-Pinion (For Aluminum Ring Gear Only)
	693552	Motor-Starter (4 3/8" Housing Length For Steel Ring Gear Only)	311	497608	Brush Set	783B	693058	Gear-Pinion (For Plastic Ring Gear Only)
	497595	Motor-Starter (3 5/8" Housing Length For Plastic Ring Gear Only)	462	225137	Washer (Starter Cable)	797	693167	Nut (Brush Retainer)
	497401	Motor-Starter (4 3/8" Housing Length For Plastic Ring Gear Only)	503	691532	Strap-Starter	801	691429	Cap-Drive
	693054	Motor-Starter (3 5/8" Housing Length For Aluminum Ring Gear Only)	510	693699	Drive-Starter (Used With Steel Ring Gear)	802	497607	Cap-End
	499521	Motor-Starter (4 3/8" Housing Length For Aluminum Ring Gear Only)	510A	497606	Drive-Starter (Used With Aluminum & Plastic Ring Gears)	803	693757	Housing-Starter (3 5/8" Housing Length) (4 3/8" Housing Length Served by Ref. 309.)
			513	398003	Clutch-Drive	1051	263080	Ring-Retaining
			544	497603	Armature-Starter (3 5/8" Housing Length)	1090	497605	Retainer-Brush
			579	92278	Nut (Starter Cable)			
			697	690372	Screw (Drive Cap)			
			729A	691224	Clip-Wire			

★ Included in Engine Gasket Set-Ref. 358.
 ∅ Included in Valve Gasket Set-Ref. 1095.

● Included in Carburetor Overhaul Kit-Ref. 121 & 121A.
 ◆ Included in Carburetor Gasket Set-Ref. 977 & 977A.

289700 to 289799



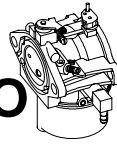
REF. NO.	PART NO.	DESCRIPTION	REF. NO.	PART NO.	DESCRIPTION	REF. NO.	PART NO.	DESCRIPTION
309A		Motor-Starter (For Replacement Starter Motor, See Ref 309, Previous Page)	510B	495878	Drive-Starter (For 4 3/8" Housing Length)			494988 Cap-End (For 4 3/8" Housing Length)
310	690323	Bolt (Starter Motor) (For 3 5/8" Housing Length)	513	398003	Clutch-Drive	803A	398159	Housing-Starter (For 3 5/8" Housing Length)
		Note _____	544A	390837	Armature-Starter (For 3 5/8" Housing Length)			_____ Note _____
		691263 Bolt (Starter Motor) (For 4 3/8" Housing Length)			Note _____			494205 Housing-Starter (For 4 3/8" Housing Length)
		692329 Bolt (Starter Motor) (For 4 9/16" Housing Length)	697A	94627	Screw (Drive Cap)	876	495877	Kit-Pinion Spring
311A	395538	Brush Set (For 3 5/8" Housing Length)	729B	224723	Clip-Wire	896	94288	Pin-Drive Retainer
311B	490311	Brush Set (For 4 9/16" Housing Length)	783A	693059	Gear-Pinion (For Aluminum Ring Gear Only)	926	498233	Kit-Housing/Cap (For 4 9/16" Housing Length)
			801A	394856	Cap-Drive	1003	490316	Spring-Brush (For 4 9/16" Housing Length)
			802A	395537	Cap-End (For 3 5/8" Housing Length)	1083	93715	Nut (End Cap)
					_____ Note _____	1083A	94010	Nut (End Cap)

★ Included in Engine Gasket Set-Ref. 358.
 ∅ Included in Valve Gasket Set-Ref. 1095.

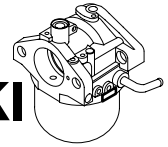
● Included in Carburetor Overhaul Kit-Ref. 121 & 121A.
 ◆ Included in Carburetor Gasket Set-Ref. 977 & 977A.

★ REQUIRES SPECIAL TOOLS TO INSTALL. SEE REPAIR INSTRUCTION MANUAL.

WALBRO



NIKKI



121 CARBURETOR OVERHAUL KIT			
★ 106	634	276	987
127	95	634A	105
147	231	104	51
137		142	

121A CARBURETOR OVERHAUL KIT			
51	95A	117	276A
	104A	127A	634B
	105A	147A	987B
	137A	231A	955

977 CARBURETOR GASKET SET		
51	137	276

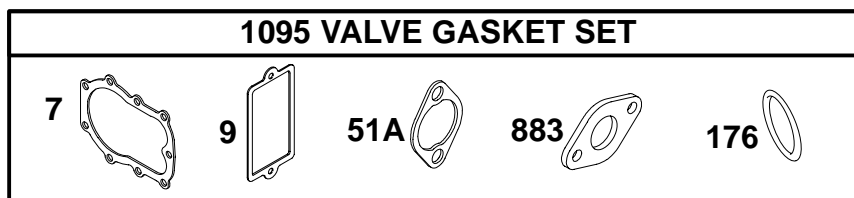
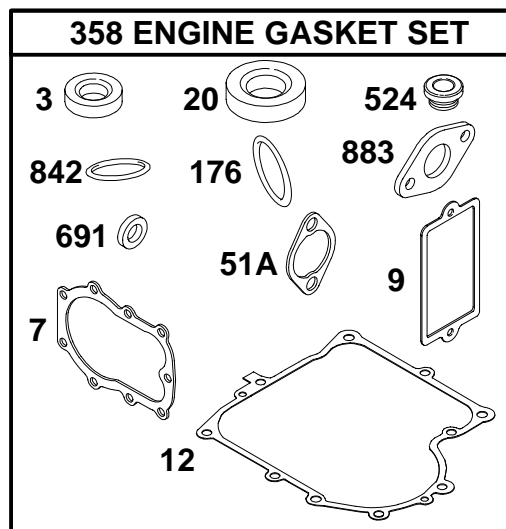
977A CARBURETOR GASKET SET		
51	137A	276A

REF. NO.	PART NO.	DESCRIPTION	REF. NO.	PART NO.	DESCRIPTION	REF. NO.	PART NO.	DESCRIPTION
51	♦♦272465	Gasket-Intake	121	499220	Kit-Carburetor Overhaul (LMT 92, 96) (Used After Code Date 96072500).	142	♦♦691434	Nozzle-Carburetor (LMT 92, 96)
95	♦94098	Screw (Throttle Valve)						Note
95A	♦690718	Screw (Throttle Valve)						♦691425 Nozzle-Carburetor (LMT 5, 6, 37, 41, 77, 81, 157)
104	♦690525	Pin-Float Hinge						
104A	♦694918	Pin-Float Hinge						
105	♦231855	Valve-Float Needle						
105A	♦694922	Valve-Float Needle						
106	♦231854	Seat-Inlet						
		Note						
		♦231856 Seat-Inlet (LMT 5, 6)						
117	♦690880	Main Jet						
		Note						
		♦694925 Jet-Main (High Altitude)	121A	694930	Kit-Carburetor Overhaul (Nikki)	276	♦♦281164	Washer-Sealing
						276A	♦♦690997	Washer-Sealing
			127	♦695005	Plug-Welch	634	♦690801	Spring/Seal Assembly (Manual Choke)
			127A	♦694916	Plug-Welch	634A	♦690802	Spring/Seal Assembly (Choke A Matic)
			137	♦♦281165	Gasket-Float Bowl	634B	♦694912	Spring/Seal Assembly
			137A	♦♦694920	Gasket-Float Bowl	955	♦694924	Plug-Carburetor
						977	494385	Gasket Set-Carburetor
						977A	694931	Gasket Set-Carburetor
						987	♦691326	Seal-Throttle Shaft
						987B	♦690998	Seal-Throttle Shaft

★ Included in Engine Gasket Set-Ref. 358.
 ∅ Included in Valve Gasket Set-Ref. 1095.

♦ Included in Carburetor Overhaul Kit-Ref. 121 & 121A.
 ♦♦ Included in Carburetor Gasket Set-Ref. 977 & 977A.

289700 to 289799



REF. NO.	PART NO.	DESCRIPTION	REF. NO.	PART NO.	DESCRIPTION	REF. NO.	PART NO.	DESCRIPTION
3	★391086	Seal-Oil (Magneto Side)	12	★271916	Gasket-Crankcase (.015" Thick, Standard)	20	★291675	Seal-Oil (PTO Side)
7	★Ø271866	Gasket-Cylinder Head		Note	51A	★Ø272554	Gasket-Intake	
9	★Ø27803	Gasket-Breather		★271997	Gasket-Crankcase (.005" Thick)	176	★Ø281106	Seal-O Ring (Air Cleaner Base)
				★271996	Gasket-Crankcase (.009" Thick)	358	494241	Gasket Set-Engine
						524	★281370	Seal-Dipstick Tube
						691	★491323	Seal-Governor Shaft
						842	★270920	Seal-O Ring
						883	★Ø272293	Gasket-Exhaust
						1095	498539	Gasket Set-Valve

★ Included in Engine Gasket Set-Ref. 358.
 Ø Included in Valve Gasket Set-Ref. 1095.

● Included in Carburetor Overhaul Kit-Ref. 121 & 121A.
 ◆ Included in Carburetor Gasket Set-Ref. 977 & 977A.