

Illustrated Parts List

Model Series

284700 to 284799

TYPE NUMBERS
0101, 0135, 0147,
0604, 1026, 1036,
1101, 1102, 1107,
1108, 1136, 1147,
1148, 1150.

TO FIND
THE CORRECT NUMBER OF THE PART YOU NEED:
FOLLOW THE INSTRUCTIONS BELOW

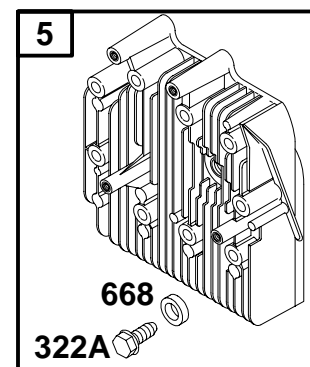
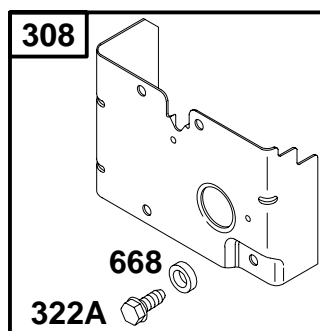
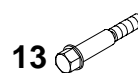
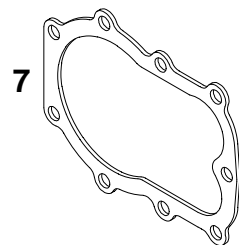
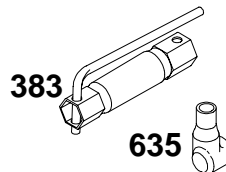
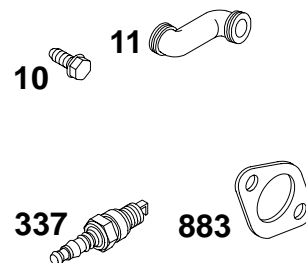
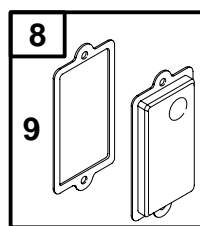
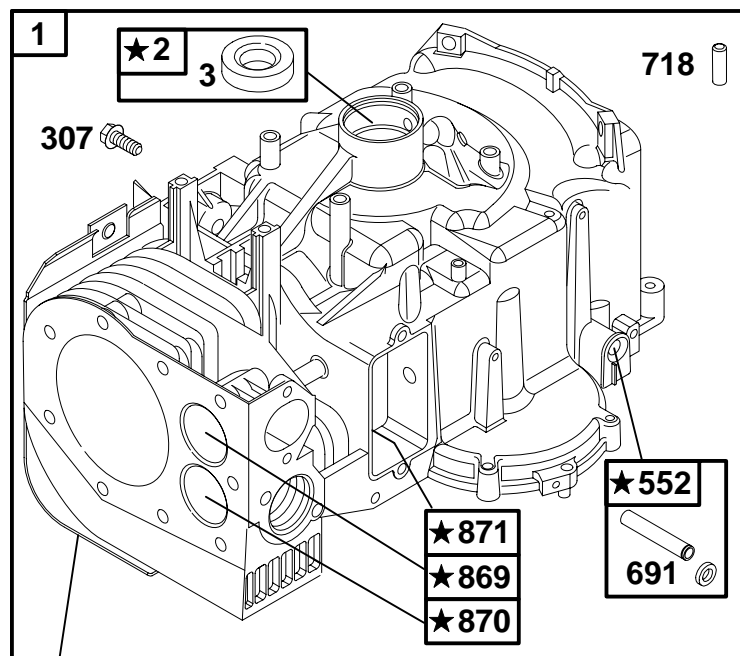
- A. Refer to Engine Model, Type and Code Number that is stamped on the blower housing of engine. Engine type numbers such as 0123 01 are listed only as 0123 in most instances. The two digits (01 or 02, etc.) to the right of the space may be required for more accurate parts identification in some instances. Select the Illustrated Parts List covering the correct Model Series and Type Number.
- B. Refer to the Illustrations and compare the original part with Illustration. The number next to the illustration is the Reference Number. Assemblies include all parts shown in frames. All parts shown in assembly frames having individual reference numbers can be purchased separately.
- C. After the Reference Number has been identified, refer to the Numerical text, where Reference and Primary Part Number are listed. **THE PRIMARY PART IS USED ON ALL TYPE NUMBERS EXCEPT THOSE TYPE NUMBERS UNDER "NOTE."**
- D. If a "Note" appears below the Primary Part Number, it means that this part differs from the Primary Part for certain types. If your Type number is listed under "Note," order the part referred to at the "Note."
- E. If your Engine Type Number does not appear after any part number listed under "Note," use the Primary Part Number.
- F. For Engine Type Numbers not covered by this book, check other Parts Lists having the same engine model or contact your source of supply.

PRINTED IN U.S.A.



COPYRIGHT by BRIGGS & STRATTON CORPORATION
All rights reserved. No part of this material may be reproduced or transmitted, in any form or by any means, electronic or mechanical, including photocopying, recording or by any information storage and retrieval system, without permission in writing from Briggs & Stratton Corporation.

284700 to 284799



★ **REQUIRES SPECIAL TOOLS TO INSTALL. SEE REPAIR INSTRUCTION MANUAL.**

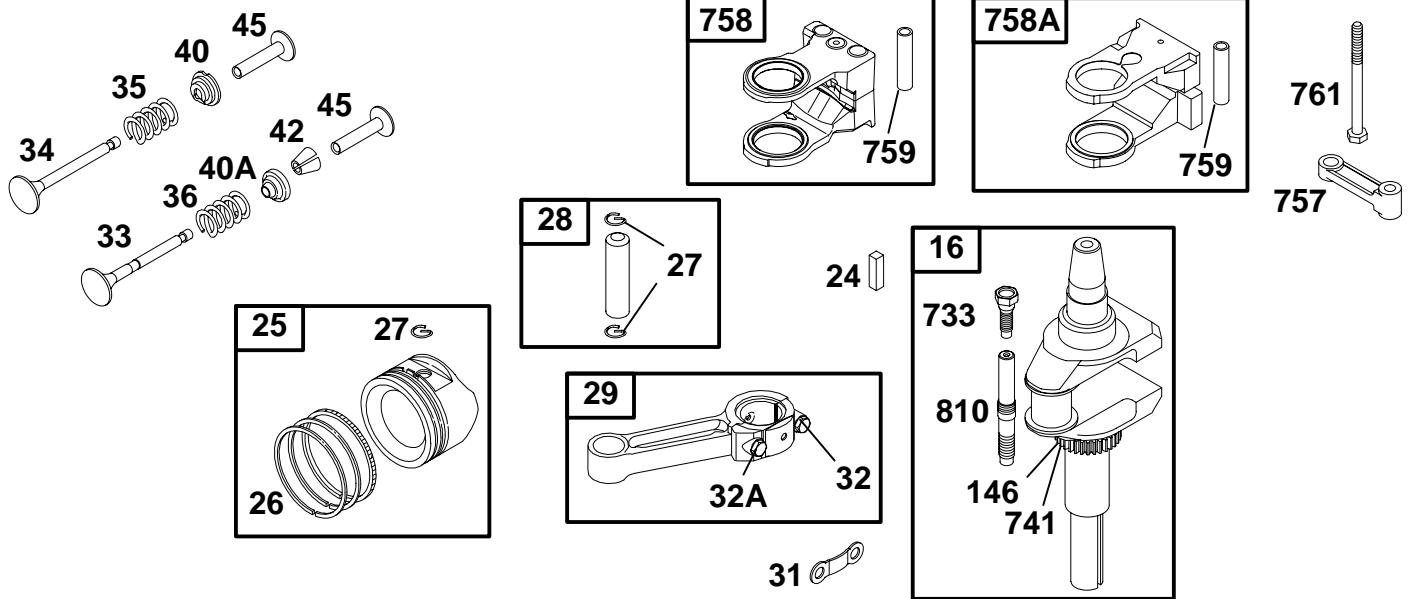
1019 LABEL KIT

1058 OWNER'S MANUAL

REF. NO.	PART NO.	DESCRIPTION	REF. NO.	PART NO.	DESCRIPTION	REF. NO.	PART NO.	DESCRIPTION
1	496413	Cylinder Assembly	308	491490	Cover-Cylinder Head	871	261961	Bushing-Valve Guide (Exhaust Valve)
2	399265	Kit-Bushing/Seal (Magneto Side)	322	94786	Screw (Cylinder Head Cover)	————— Note —————		
3	★391086	Seal-Oil (Magneto Side)	322A	94881	Screw (Cylinder Head Cover)	231218		Bushing-Valve Guide (Intake Valve)
5	494240	Head-Cylinder	337	802592	Sparkplug	883	∅★272293	Gasket-Exhaust
7	∅★271866	Gasket-Cylinder Head	383	89838	Wrench-Sparkplug	1019	491252	Kit-Label
8	495735	Breather Assembly	552	491986	Bushing-Governor Crank	1058	274787	Owner's Manual (Emission)
9	∅★27803	Gasket-Breather	635	66538	Boot-Sparkplug	————— Note —————		
10	691666	Screw (Breather Assembly)	668	690510	Spacer	272697		Owner's Manual (Non Emission)
11	280100	Tube-Breather	691	★491323	Seal-Governor Shaft			
13	94622	Screw (Cylinder Head)	718	230192	Pin-Locating			
306	690459	Shield-Cylinder	869	261463	Seat-Valve (Intake)			
307	94930	Screw (Cylinder Shield)	870	262924	Seat-Valve (Exhaust)			

★ Included in Engine Gasket Set-See Ref. 358.
 ● Included in Carburetor Overhaul Kit-See Ref. 121 & 121A.

◆ Included in Carburetor Gasket Set-See Ref. 977 & 977A.
 ∅ Included in Valve Gasket Set-See Ref. 1095.

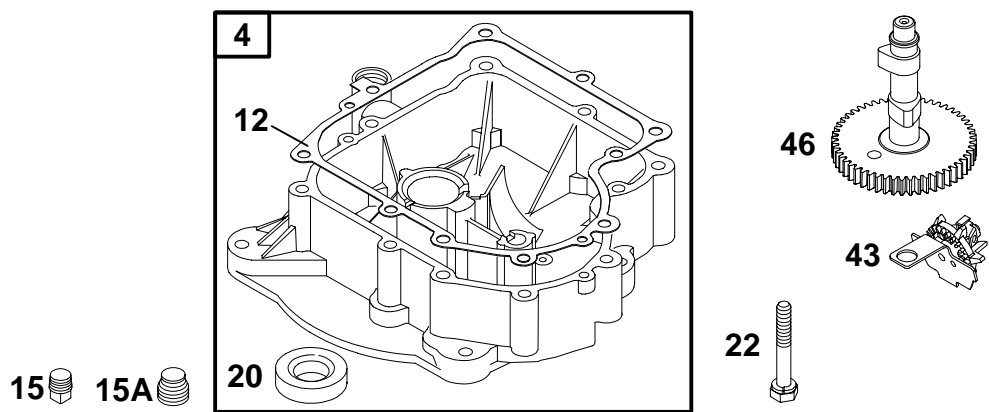


REF. NO.	PART NO.	DESCRIPTION	REF. NO.	PART NO.	DESCRIPTION	REF. NO.	PART NO.	DESCRIPTION
16	693944	Crankshaft (Used After Code Date 95073100.) —— Note —— 498971 Crankshaft (Used Before Code Date 95080100).	27	691299	Lock-Piston Pin (Used After Code Date 95101500). —— Note —— 260924 Lock-Piston Pin (Used Before Code Date 95101600).	32	690348	Screw (1 5/8" Long) (Connecting Rod)
24	222698	Key-Flywheel	28	498319	Pin-Piston (Standard) (Used After Code Date 95101500). —— Note —— 299691 Pin-Piston (Standard) (Used Before Code Date 95101600).	32A	690356	Screw (1 7/8" Long) (Connecting Rod)
25	499282	Piston Assembly (Standard) —— Note —— 499288 Piston Assembly (.010" O.S.) 499292 Piston Assembly (.020" O.S.) 499296 Piston Assembly (.030" O.S.)	29	494504	Rod-Connecting (Standard) —— Note —— 495490 Rod-Connecting (.020" Undersize)	33	262246	Valve-Exhaust
26	391780	Ring Set (Standard) —— Note —— 392331 Ring Set (Chrome Standard) 391781 Ring Set (.010" O.S.) 391782 Ring Set (.020" O.S.) 499999 Ring Set (.030" O.S.)	31	222299	Lock-Rod Screw	34	262247	Valve-Intake
						35	65906	Spring-Valve (Intake)
						36	26828	Spring-Valve (Exhaust)
						40	221596	Retainer-Valve
						40A	292260	Retainer-Valve
						42	494553	Keeper-Valve
						45	262248	Tappet-Valve
						146	94196	Key-Timing
						733	94673	Screw (Crankshaft Extension)
						741	691284	Gear-Timing
						757	213998	Link-Counterweight
						758	692423	Counterweight
						758A	691973	Counterweight
						759	691239	Pin-Counterweight
						761	691096	Screw (Counterweight)
						810	231828	Extension-Crankshaft

★ Included in Engine Gasket Set—See Ref. 358.
● Included in Carburetor Overhaul Kit—See Ref. 121 & 121A.

◆ Included in Carburetor Gasket Set—See Ref. 977 & 977A.
⊗ Included in Valve Gasket Set—See Ref. 1095.

284700 to 284799

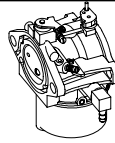


REF. NO.	PART NO.	DESCRIPTION	REF. NO.	PART NO.	DESCRIPTION	REF. NO.	PART NO.	DESCRIPTION
4	494238	Sump-Engine	15	94239	Plug-Oil Drain	22	692125	Screw (Engine Sump)
12	★271916	Gasket-Crankcase (.015" Thick, Standard)	15A	94880	Plug-Oil Drain Used on Type No(s). 0147, 1147.	43	490815	Slinger-Governor/Oil
<p align="center">Note</p> <p>★271997 Gasket-Crankcase (.005" Thick)</p> <p>★271996 Gasket-Crankcase (.009" Thick)</p>			20	★291675	Seal-Oil (PTO Side)	46	692123	Camshaft

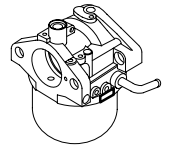
★ Included in Engine Gasket Set-See Ref. 358.
● Included in Carburetor Overhaul Kit-See Ref. 121 & 121A.

◆ Included in Carburetor Gasket Set-See Ref. 977 & 977A.
⊘ Included in Valve Gasket Set-See Ref. 1095.

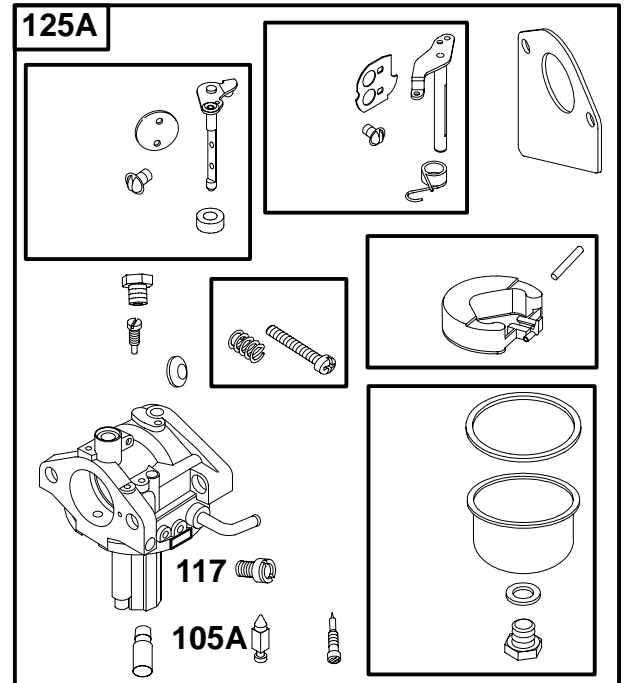
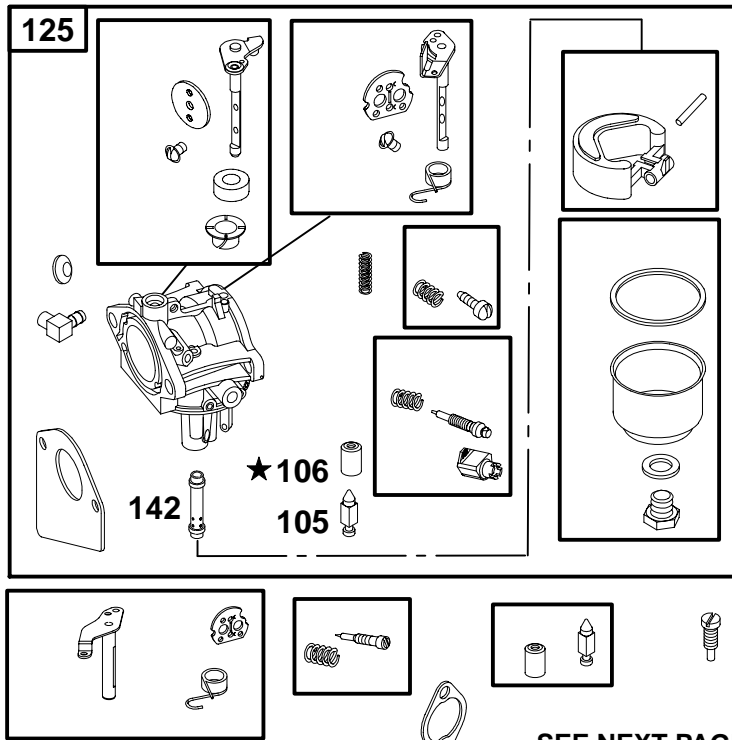
WALBRO



NIKKI



★ **REQUIRES SPECIAL TOOLS TO INSTALL. SEE REPAIR INSTRUCTION MANUAL.**



SEE NEXT PAGE FOR COMPONENT SERVICE

REF. NO.	PART NO.	DESCRIPTION	REF. NO.	PART NO.	DESCRIPTION	REF. NO.	PART NO.	DESCRIPTION
105	●231855	Valve-Float Needle	125	498027	Carburetor (Walbro)	142	●691434	Nozzle-Carburetor (Standard) (LMT 92, 96)
105A	●694922	Valve-Float Needle						Note
106	●231854	Seat-Inlet	125A	694941	Carburetor (Nikki)		●691425	Nozzle-Carburetor (Standard) (LMT 5, 37, 41, 81, 157)
117	●690880	Jet-Main					497737	Nozzle-Carburetor (High Altitude) (LMT 92,96)
		Note					497567	Nozzle-Carburetor (High Altitude) (LMT 5, 37, 41, 81, 157)
		●694925 Jet-Main (High Altitude)						

★ Included in Engine Gasket Set-See Ref. 358.
● Included in Carburetor Overhaul Kit-See Ref. 121 & 121A.

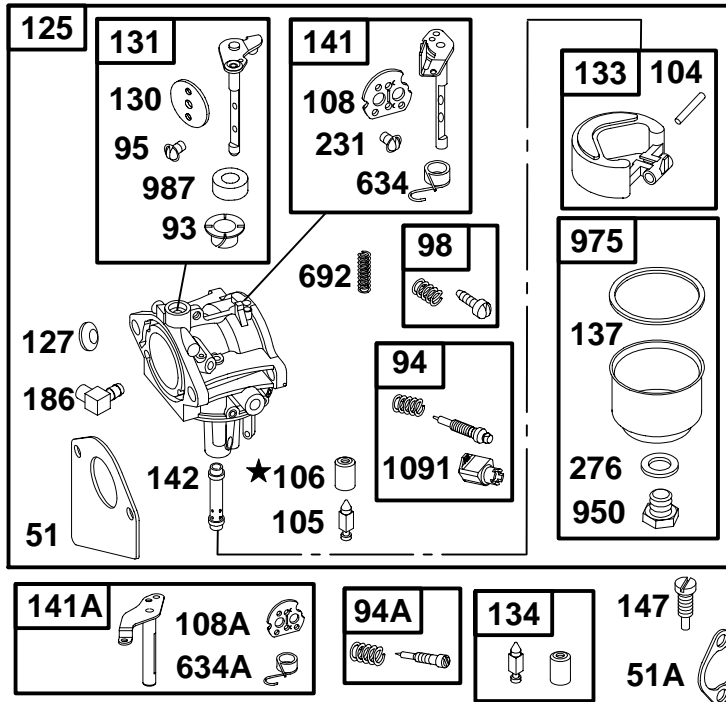
◆ Included in Carburetor Gasket Set-See Ref. 977 & 977A.
⊘ Included in Valve Gasket Set-See Ref. 1095.

284700 to 284799

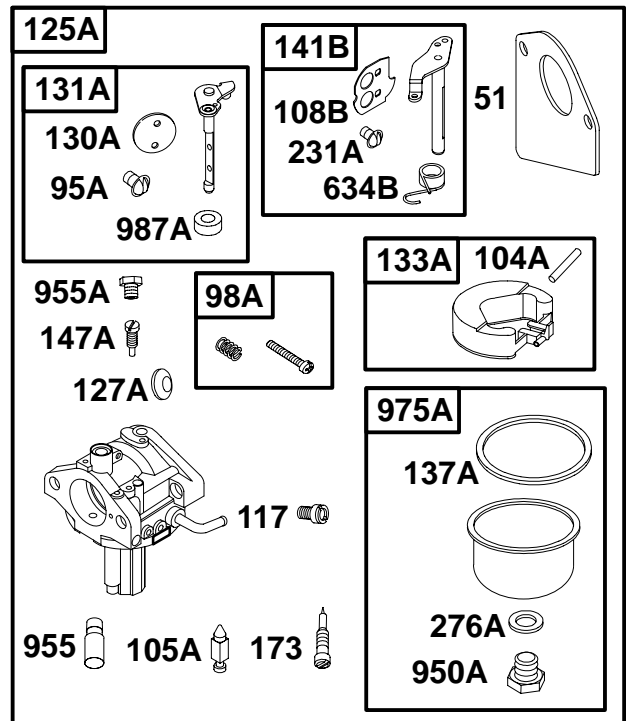
WALBRO



★ REQUIRES SPECIAL TOOLS TO INSTALL.
SEE REPAIR INSTRUCTION MANUAL.



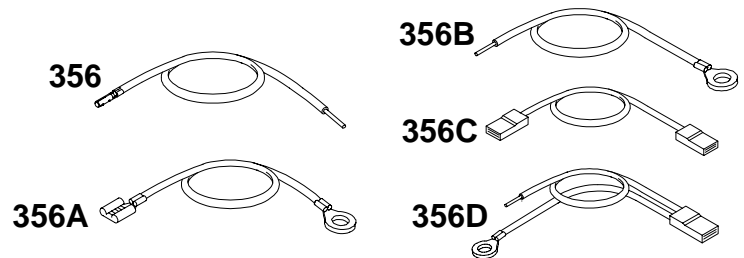
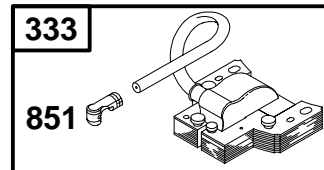
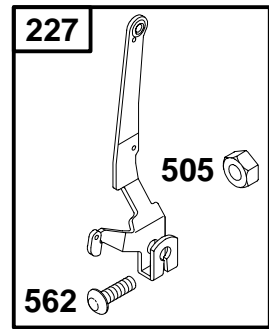
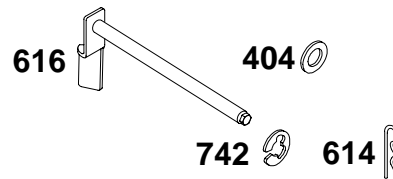
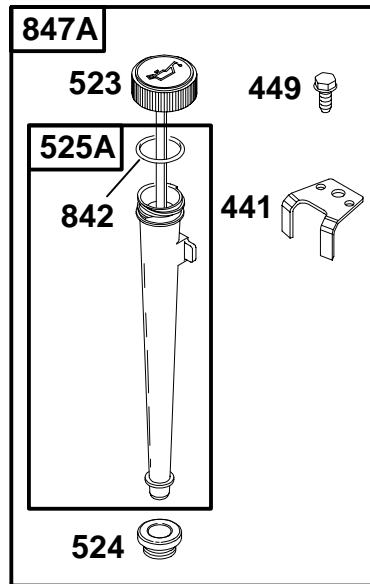
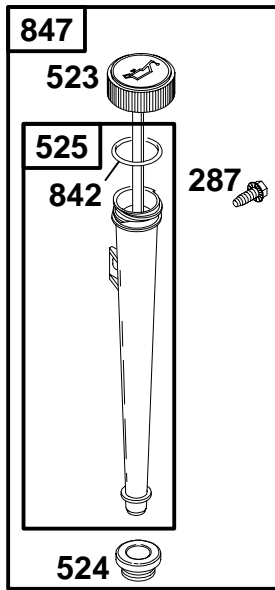
NIKKI



REF. NO.	PART NO.	DESCRIPTION	REF. NO.	PART NO.	DESCRIPTION	REF. NO.	PART NO.	DESCRIPTION
51	●♦272465	Gasket-Intake	125		Carburetor (Walbro)	173	694926	Valve-Idle Mixture
51A	○★272554	Gasket-Intake			(See Previous Page)	186	493496	Connector-Hose
93	690602	Bushing-Throttle Shaft				231	●94098	Screw (Choke Valve)
94	498030	Kit-Idle Mixture	125A		Carburetor (Nikki)	231A	●690718	Screw (Choke Valve)
94A	494383	Kit-Idle Mixture			(See Previous Page)	276	●♦281164	Washer-Sealing
95	●94098	Screw (Throttle Valve)	127	●695005	Plug-Welch	276A	●♦690997	Washer-Sealing
95A	●690718	Screw (Throttle Valve)	127A	●694916	Plug-Welch	634	●690801	Spring/Seal Assembly (Manual Choke)
98	495800	Kit-Idle Speed	130	224539	Valve-Throttle	634A	●690802	Spring/Seal Assembly (Choke A Matic)
98A	694907	Kit-Idle Speed	130A	694917	Valve-Throttle	634B	●694912	Spring/Seal Assembly
104	●690525	Pin-Float Hinge	131	494379	Kit-Throttle Shaft	692	262820	Spring-Detent
104A	●694918	Pin-Float Hinge	131A	694909	Kit-Throttle Shaft	950	94642	Screw-Float Bowl
105		Valve-Float Needle (See Previous Page)	133	494381	Float-Carburetor	950A	694919	Screw-Float Bowl
105A		Valve-Float Needle (See Previous Page)	133A	694914	Float-Carburetor	955	●694924	Plug-Carburetor
106		Seat-Inlet (See Previous Page)	134	494788	Kit-Needle/Seat (LMT 5)	955A	694921	Plug-Carburetor
108	690464	Valve-Choke (Manual Choke)	137	●♦281165	Gasket-Float Bowl	975	495933	Bowl-Float
108A	692344	Valve-Choke (Choke A Matic)	137A	●♦694920	Gasket-Float Bowl	975A	694908	Bowl-Float
108B	694923	Valve-Choke	141	495097	Kit-Choke Shaft (Manual Choke)	987	●691326	Seal-Throttle Shaft
117		Jet-Main (See Previous Page)	141A	495931	Kit-Choke Shaft (Choke A Matic)	Note		
			141B	694913	Kit-Choke Shaft	281167		Seal-Throttle Shaft (LMT 5, 37, 92)
			142		Nozzle-Carburetor (See Previous Page)	987A	●690998	Seal-Throttle Shaft
			147	●497472	Jet-Pilot (LMT 37, 41, 81)	1091	691333	Cap-Limiter
			147A	●694927	Jet-Pilot			

★ Included in Engine Gasket Set-See Ref. 358.
● Included in Carburetor Overhaul Kit-See Ref. 121 & 121A.

♦ Included in Carburetor Gasket Set-See Ref. 977 & 977A.
○ Included in Valve Gasket Set-See Ref. 1095.

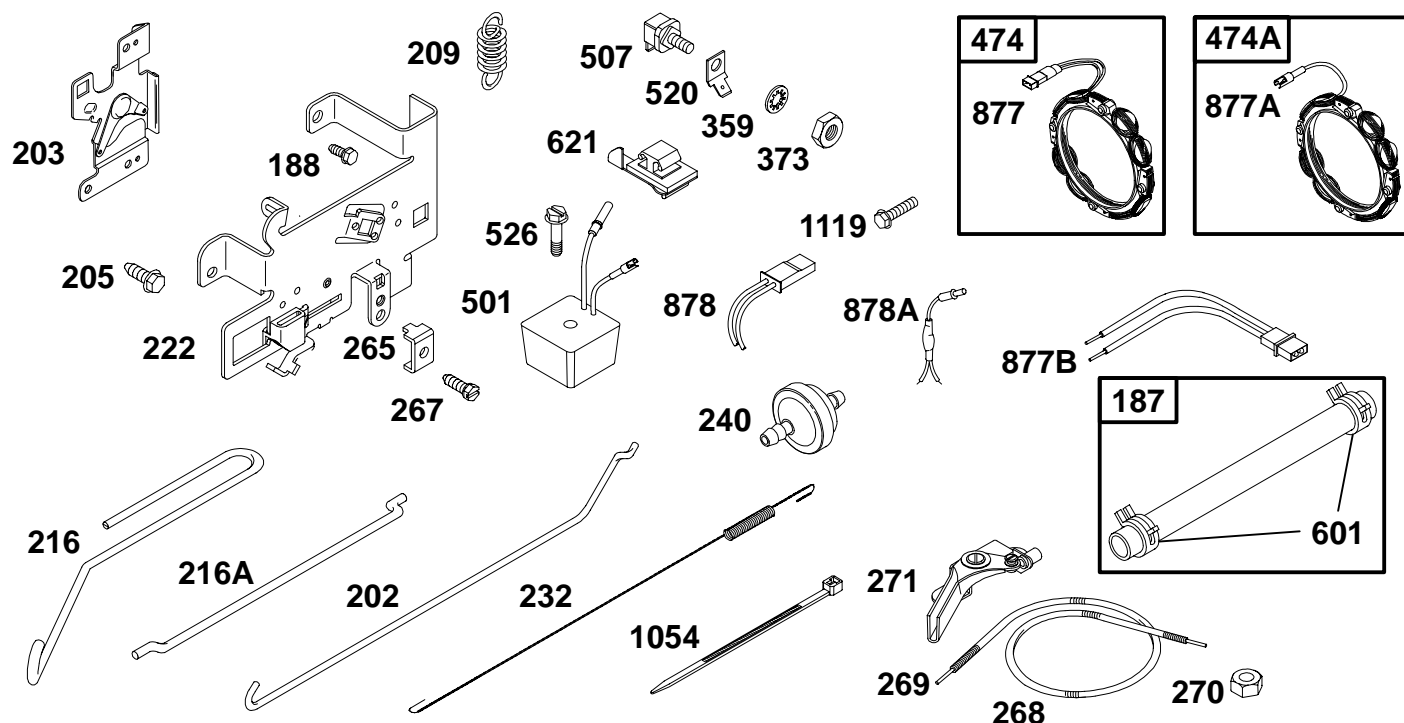


REF. NO.	PART NO.	DESCRIPTION	REF. NO.	PART NO.	DESCRIPTION	REF. NO.	PART NO.	DESCRIPTION
227	691374	Lever-Governor Control	404	94927	Washer (Governor Crank)	562	691119	Bolt (Governor Control Lever)
287	94903	Screw (Dipstick Tube)	441	224390	Bracket-Oil Fill	614	93306	Pin-Cotter
333	492341	Armature-Magneto	449	94874	Screw (Oil Fill Bracket)	616	495157	Crank-Governor
334	94731	Screw (Magneto Armature)	505	691251	Nut (Governor Control Lever)	742	93307	Retainer-E Ring
356	690792	Wire-Stop	523	495230	Dipstick	842	★270920	O-Ring Seal
356A	399223	Wire-Stop	524	★281370	Seal-Dipstick Tube	847	496415	Dipstick/Tube Assembly
356B	399222	Wire-Stop	525	691398	Tube-Dipstick	847A	490474	Dipstick/Tube Assembly
356C	690799	Wire-Stop	525A	495768	Tube-Dipstick	851	493880	Terminal-Sparkplug
356D	398808	Wire-Stop						

★ Included in Engine Gasket Set-See Ref. 358.
 ● Included in Carburetor Overhaul Kit-See Ref. 121 & 121A.

◆ Included in Carburetor Gasket Set-See Ref. 977 & 977A.
 ○ Included in Valve Gasket Set-See Ref. 1095.

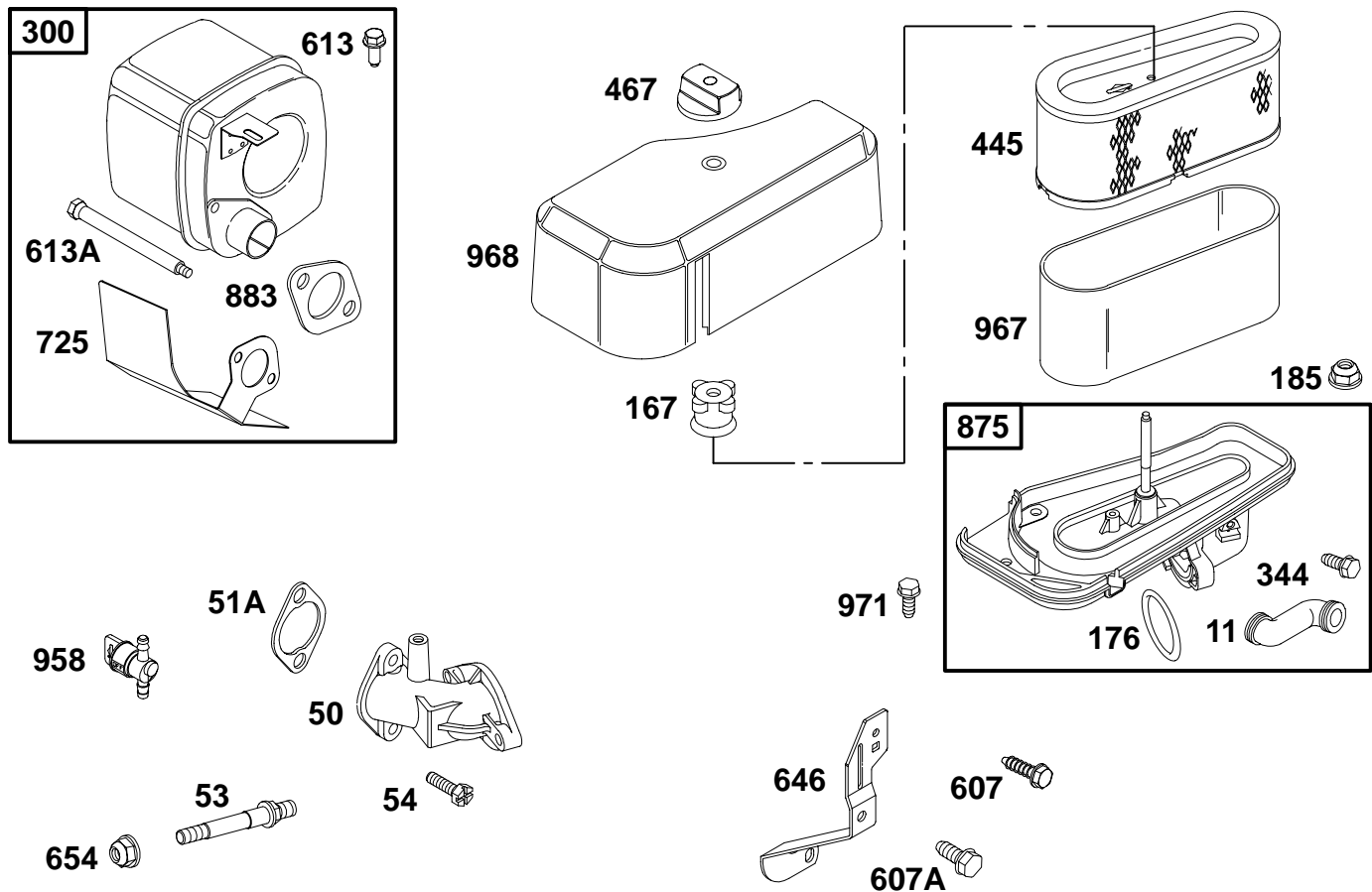
284700 to 284799



REF. NO.	PART NO.	DESCRIPTION	REF. NO.	PART NO.	DESCRIPTION	REF. NO.	PART NO.	DESCRIPTION
187	691050	Line-Fuel (Cut to Length)	232	262785	Spring-Governor Link	507	398525	Insulator
188	94929	Screw (Control Bracket)	240	298090	Filter-Fuel	520	691084	Terminal-Ground
202	262767	Link-Mechanical Governor	————— Note ————— 394358 Filter-Fuel Used on Type No(s). 1148.			526	691202	Screw (Regulator)
203	691381	Crank-Bell	265	221535	Clamp-Casing	601	95162	Clamp-Hose
205	691693	Screw (Bell Crank)	267	94906	Screw (Casing Clamp)	621	396847	Switch-Stop
209	260871	Spring-Governor	268	65616	Casing-Control Wire (Cut to Length)	877	393456	Wire/Connector- Alternator (Dual Circuit)
		————— Note ————— 261306 Spring-Governor Used on Type No(s). 0135, 1026, 1036. 261126 Spring-Governor Used on Type No(s). 1150.	269	26633	Wire-Control (Cut to Length)	877A	393537	Wire/Connector- Alternator (Tri Circuit) Used on Type No(s). 1150.
216	262766	Link-Choke	270	63426	Nut (Control Wire Casing)	877B	399916	Wire/Connector- Alternator
216A	691281	Link-Choke	271	290568	Lever-Control	878	393362	Harness-Alternator (Dual Circuit)
222	694042	Bracket-Control (Used After Code Date 99010700).	359	691077	Washer (Ground Terminal)	878A	392606	Harness-Alternator (Tri Circuit) Used on Type No(s). 1150.
		————— Note ————— 495611 Bracket-Control (Used Before Code Date 99010800).	373	90576	Nut (Ground Terminal)	1054	280275	Tie-Cable
			474	393474	Alternator (Dual Circuit)	1119	93621	Screw (Alternator)
			474A	392595	Alternator (Tri Circuit) Used on Type No(s). 1150.			
			501	491546	Regulator (Tri Circuit)			

★ Included in Engine Gasket Set-See Ref. 358.
● Included in Carburetor Overhaul Kit-See Ref. 121 & 121A.

◆ Included in Carburetor Gasket Set-See Ref. 977 & 977A.
⊗ Included in Valve Gasket Set-See Ref. 1095.

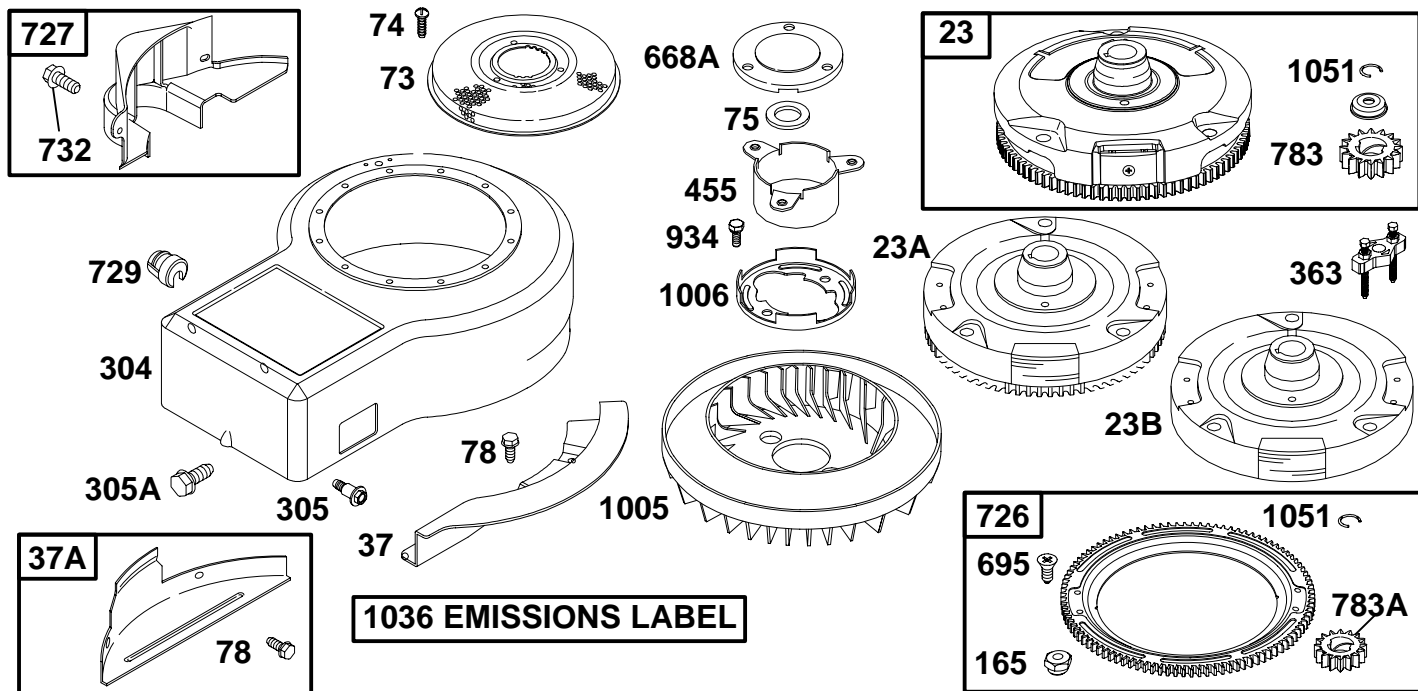


REF. NO.	PART NO.	DESCRIPTION	REF. NO.	PART NO.	DESCRIPTION	REF. NO.	PART NO.	DESCRIPTION
11	280100	Tube-Breather	344	693675	Screw (Cable Clamp)	875	694942	Base-Air Cleaner <i>(Use with Nikki Carburetor)</i>
50	213819	Manifold-Intake	445	496894	Filter-Air Cleaner Cartridge	————— Note —————		
51A	Ø*272554	Gasket-Intake	467	493903	Knob-Air Cleaner	693676	Base-Air Cleaner	
53	691098	Stud (Carburetor)	607	690703	Screw (Air Cleaner Brace)	<i>(Use with Walbro Carburetor)</i>		
54	94913	Screw (Intake Manifold)	607A	691693	Screw (Air Cleaner Brace)	(Used After Code Date 98091300).		
167	281051	Seal-Air Cleaner Nut	613	690960	Screw (Exhaust Muffler)	494237	Base-Air Cleaner	
176	Ø*281106	O-Ring Seal (Air Cleaner Base)	613A	93927	Screw (Exhaust Muffler)	<i>(Use with Walbro Carburetor)</i>		
185	94010	Nut (Air Cleaner Base)	646	690460	Brace-Air Cleaner	(Used Before Code Date 98091400).		
300	491413	Muffler	725	690420	Shield-Heat	883	Ø*272293	Gasket-Exhaust
						958	494768	Valve-Fuel Shut Off
						967	272403	Filter-Pre Cleaner
						968	281104	Cover-Air Cleaner
						971	692126	Screw (Air Cleaner Base)

★ Included in Engine Gasket Set-See Ref. 358.
● Included in Carburetor Overhaul Kit-See Ref. 121 & 121A.

◆ Included in Carburetor Gasket Set-See Ref. 977 & 977A.
Ø Included in Valve Gasket Set-See Ref. 1095.

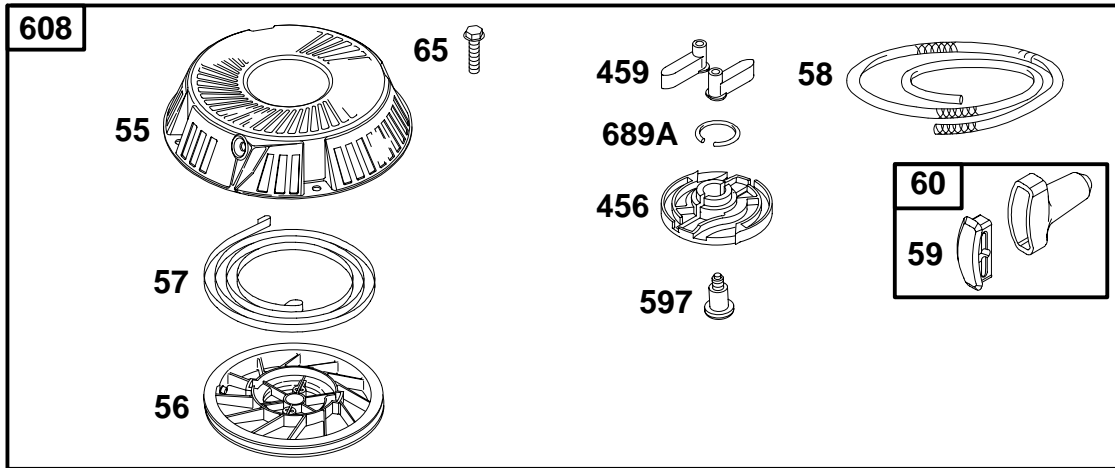
284700 to 284799



REF. NO.	PART NO.	DESCRIPTION	REF. NO.	PART NO.	DESCRIPTION	REF. NO.	PART NO.	DESCRIPTION
23	693557	Flywheel (Steel Ring Gear) (Includes Steel Pinion Gear) (Used After Code Date 98091300). Note 693556 Flywheel Used on Type No(s). 1150.	304	690846	Housing-Blower Note 494269 Housing-Blower (Used Before Code Date 93071900). 691400 Housing-Blower Used on Type No(s). 1036.	783A	693059	Gear-Pinion (For Aluminum Ring Gear Only)
23A	692682	Flywheel (Plastic Ring Gear) (Used Before Code Date 980914000).	305	692127	Screw (Blower Housing)	934	94627	Screw (Fan Retainer)
23B	693555	Flywheel Used on Type No(s). 1107, 1108.	305A	94786	Screw (Blower Housing)	1005	280687	Fan-Flywheel Note 695056 Fan-Flywheel Used on Type No(s). 1107, 1108.
37	690456	Guard-Flywheel	363	19203	Flywheel Puller	1006	690452	Retainer-Fan
37A	490429	Guard-Flywheel Used on Type No(s). 1107, 1108.	455	691173	Cup-Flywheel	1036	695699	Label-Emissions (Used After Code Date 00063000). Note 695036 Label-Emissions (Used Before Code Date 00070100 and After Code Date 99093000). 694325 Label-Emissions (Used Before Code Date 99100100 and After Code Date 98123100). 693619 Label-Emissions (Used Before Code Date 99010100).
73	224517	Screen-Rotating	668A	691323	Spacer	1051	263080	Ring-Retaining
74	94626	Screw (Rotating Screen)	695	693109	Screw (Ring Gear)			
75	225136	Washer (Flywheel)	726	399676	Gear-Ring (Aluminum Services Plastic Ring Gear Only.)			
78	94896	Screw (Flywheel Guard)	727	490324	Cover-Starter Drive			
165	693148	Nut (Ring Gear)	729	690596	Clip-Wire			
			732	94903	Screw (Starter Drive Cover)			
			783	693713	Gear-Pinion (For Steel Ring Gear Only)			

★ Included in Engine Gasket Set-See Ref. 358.
● Included in Carburetor Overhaul Kit-See Ref. 121 & 121A.

◆ Included in Carburetor Gasket Set-See Ref. 977 & 977A.
⊗ Included in Valve Gasket Set-See Ref. 1095.

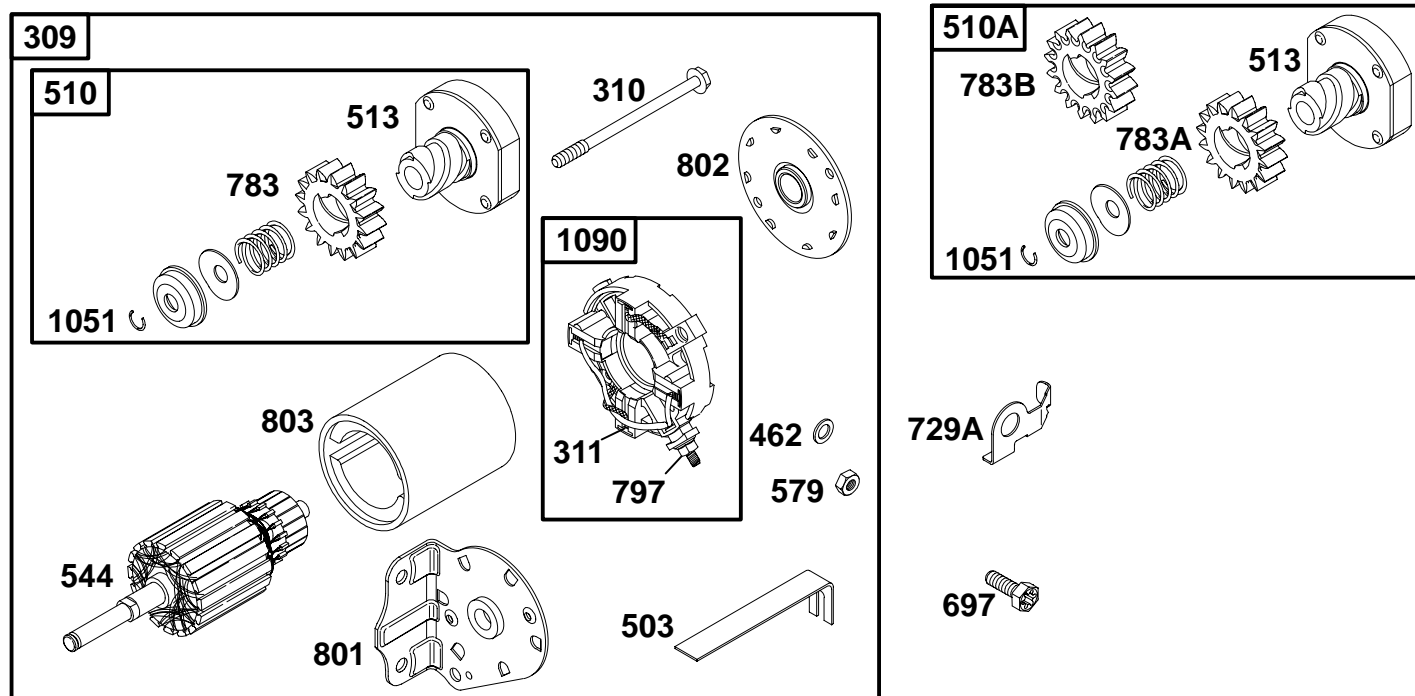


REF. NO.	PART NO.	DESCRIPTION	REF. NO.	PART NO.	DESCRIPTION	REF. NO.	PART NO.	DESCRIPTION
55	695130	Housing-Rewind Starter	65	695453	Screw (Rewind Starter)	608	695058	Starter-Rewind
58	695132	Rope-Starter	455A	695113	Cup-Flywheel Used on Type No(s). 1107, 1108.	689A	263073	Spring-Friction (Flywheel)
59	490653	Insert-Grip	456	695128	Plate-Pawl Friction	1044	94673	Screw (Flywheel)
60	490652	Grip-Starter Rope	459	281505	Pawl-Ratchet	56	695129	Pulley-Rewind Starter
			597	94943	Screw (Pawl Friction Plate)	57	695131	Spring-Rewind Starter

★ Included in Engine Gasket Set-See Ref. 358.
 ● Included in Carburetor Overhaul Kit-See Ref. 121 & 121A.

◆ Included in Carburetor Gasket Set-See Ref. 977 & 977A.
 ∅ Included in Valve Gasket Set-See Ref. 1095.

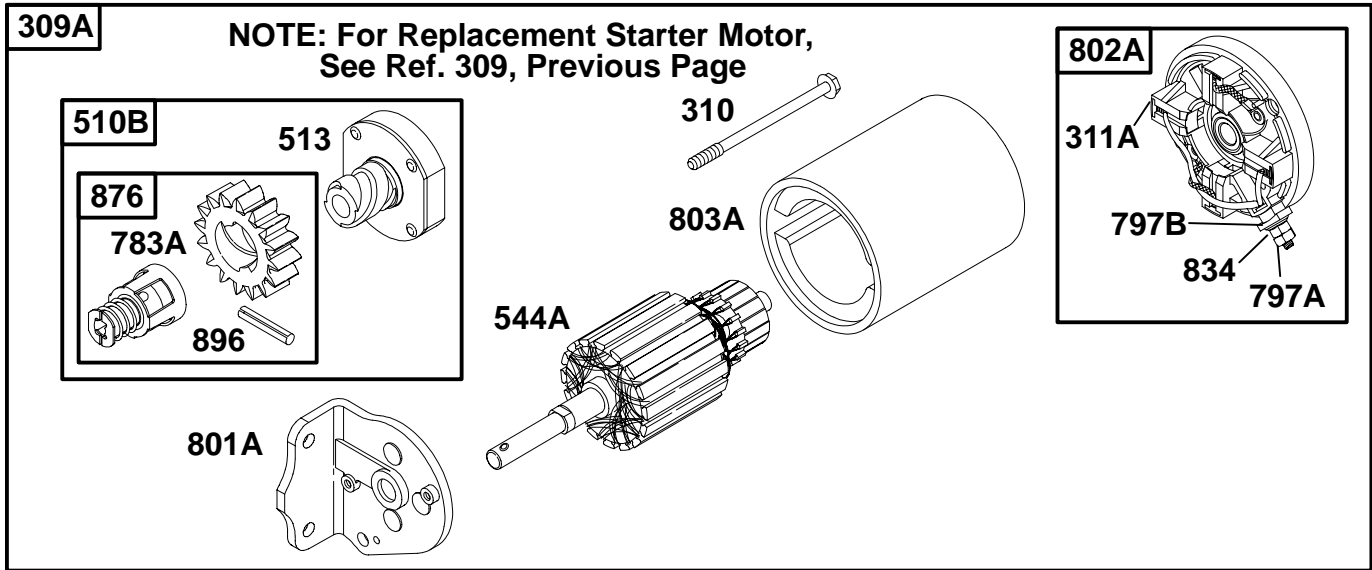
284700 to 284799



REF. NO.	PART NO.	DESCRIPTION	REF. NO.	PART NO.	DESCRIPTION	REF. NO.	PART NO.	DESCRIPTION
309	693551	Motor-Starter (3 5/8 Housing Length For Steel Ring Gear Only) ———— Note ———— 497595 Motor-Starter (3 5/8 Housing Length For Plastic Ring Gear Only) 693054 Motor-Starter (3 5/8 Housing Length For Aluminum Ring Gear Only) 693552 Motor-Starter (4 3/8 Housing Length For Steel Ring Gear Only) 497401 Motor-Starter (4 3/8 Housing Length For Plastic Ring Gear Only) 499521 Motor-Starter (4 3/8 Housing Length For Aluminum Ring Gear Only)	310	690323	Bolt (Starter Motor 3 5/8 Housing Length) ———— Note ———— 691263 Bolt (Starter Motor 4 3/8 Housing Length)	783A	693059	Gear-Pinion (For Aluminum Ring Gear Only)
			311	497608	Brush Set	783B	693058	Gear-Pinion (For Plastic Ring Gear Only)
			462	225137	Washer (Starter Cable)	797	693167	Nut (Brush Retainer)
			503	691532	Strap-Starter	801	691429	Cap-Drive
			510	693699	Drive-Starter (Used With Steel Ring Gear)	802	497607	Cap-End
			510A	497606	Drive-Starter (Used With Aluminum & Plastic Ring Gears)	803	691427	Housing-Starter (3 5/8 Housing Length) (4 3/8 Housing Length Served by Ref. 309)
			513	398003	Clutch-Drive	1051	263080	Ring-Retaining
			544	497603	Armature-Starter (3 5/8 Housing Length)	1090	497605	Retainer-Brush
			579	92278	Nut (Starter Cable)			
			697	690372	Screw (Drive Cap)			
			729A	691224	Clip-Wire			
			783	693713	Gear-Pinion (For Steel Ring Gear Only)			

★ Included in Engine Gasket Set—See Ref. 358.
● Included in Carburetor Overhaul Kit—See Ref. 121 & 121A.

◆ Included in Carburetor Gasket Set—See Ref. 977 & 977A.
⊗ Included in Valve Gasket Set—See Ref. 1095.



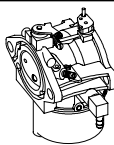
REF. NO.	PART NO.	DESCRIPTION	REF. NO.	PART NO.	DESCRIPTION	REF. NO.	PART NO.	DESCRIPTION
309A		Motor-Starter For Replacement Starter Motor, See Ref 309, Previous Page.	544A	390837	Armature-Starter (For 3 5/8 Housing Length) Note — 490309 Armature- Starter (For 4 3/8 Housing Length)	803A	398159	Housing-Starter (For 3 5/8 Housing Length) Note — 494205 Housing- Starter (For 4 3/8 Housing Length)
310	690323	Bolt (Starter Motor) (For 3 5/8 Housing Length) Note — 691263 Bolt (Starter Motor) (For 4 3/8 Housing Length)	697A	94627	Screw (Drive Cap)	834	690288	Washer (Starter Terminal)
311A	395538	Brush Set (For 3 5/8 Housing Length)	729B	224723	Clip-Wire	876	495877	Kit-Pinion Spring
311B	490311	Brush Set (For 4 9/16 Housing Length)	783A	693059	Gear-Pinion	896	94288	Pin-Drive Retainer
510B	495878	Drive-Starter	797A	93715	Nut (Starter Terminal) (Lock Nut)	926	498233	Kit-Housing/Cap (For 4 9/16 Housing Length)
513	398003	Clutch-Drive	797B	94010	Nut (Starter Terminal)	1003	490316	Spring-Brush (For 4 9/16 Housing Length)
			801A	394856	Cap-Drive			
			802A	395537	Cap-End (For 3 5/8 Housing Length) Note — 494988 Cap-End (For 4 3/8 Housing Length)			

★ Included in Engine Gasket Set—See Ref. 358.
● Included in Carburetor Overhaul Kit—See Ref. 121 & 121A.

◆ Included in Carburetor Gasket Set—See Ref. 977 & 977A.
⊗ Included in Valve Gasket Set—See Ref. 1095.

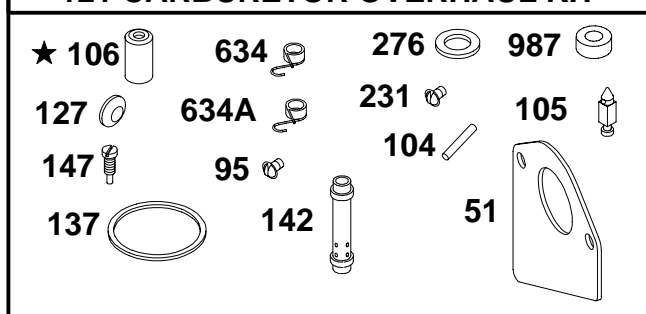
284700 to 284799

WALBRO

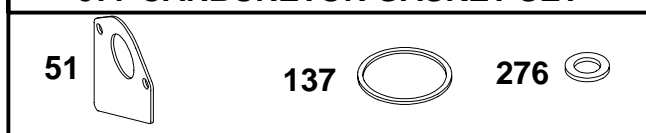


★ **REQUIRES SPECIAL TOOLS TO INSTALL. SEE REPAIR INSTRUCTION MANUAL.**

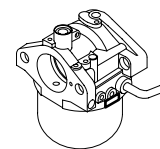
121 CARBURETOR OVERHAUL KIT



977 CARBURETOR GASKET SET



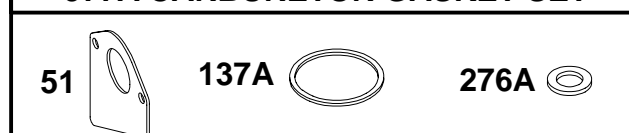
NIKKI



121A CARBURETOR OVERHAUL KIT



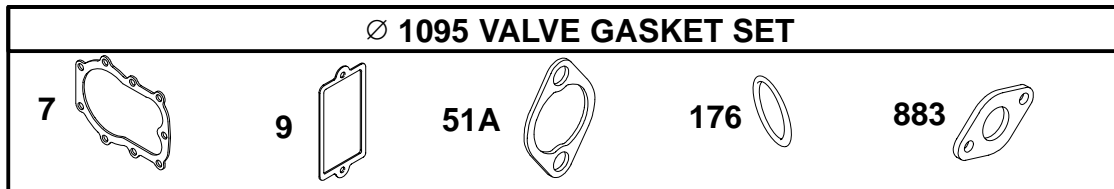
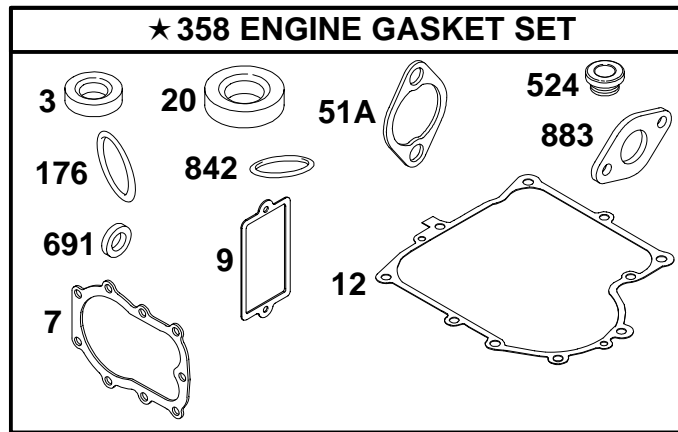
977A CARBURETOR GASKET SET



REF. NO.	PART NO.	DESCRIPTION	REF. NO.	PART NO.	DESCRIPTION	REF. NO.	PART NO.	DESCRIPTION
51	♦♦272465	Gasket-Intake	121A	694930	Kit-Carburetor Overhaul (Nikki)	147	♦497472	Jet -Pilot (LMT 37, 41, 81)
95	♦94098	Screw (Throttle Valve)				147A	♦694927	Jet-Pilot
95A	♦690718	Screw (Throttle Valve)	127	♦695005	Plug-Welch	231	♦94098	Screw (Choke Valve)
104	♦690525	Pin-Float Hinge	127A	♦694916	Plug-Welch	231A	♦690718	Screw (Choke Valve)
104A	♦694918	Pin-Float Hinge	137	♦♦281165	Gasket-Float Bowl			
105	♦231855	Valve-Float Needle	137A	♦♦694920	Gasket-Float Bowl			
105A	♦694922	Valve-Float Needle	142	♦691434	Nozzle-Carburetor (Standard) (LMT 92, 96)	276	♦♦281164	Washer-Sealing
106	♦231854	Seat-Inlet				276A	♦♦690997	Washer-Sealing
117	♦690880	Jet-Main				634	♦690801	Spring/Seal Assembly (Manual Choke)
		Note				634A	♦690802	Spring/Seal Assembly (Choke A Matic) (LMT 37, 39)
		♦694925 Jet-Main (High Altitude)				634B	♦694912	Spring/Seal Assembly
121	499220	Kit-Carburetor Overhaul (LMT 92, 94, 96) (Used After Code Date 96072500).				955	♦694924	Plug-Carburetor
		Note				977	494385	Gasket Set-Carburetor (Walbro)
		499231 Kit-Carburetor Overhaul (LMT 157, 159) (Used After Code Date 96072500).				977A	694931	Gasket Set-Carburetor (Nikki)
		497481 Kit-Carburetor Overhaul (Used Before Code Date 96072600).				987	♦691326	Seal-Throttle Shaft
						987A	♦690998	Seal-Throttle Shaft

★ Included in Engine Gasket Set-See Ref. 358.
 ♦ Included in Carburetor Overhaul Kit-See Ref. 121 & 121A.

♦ Included in Carburetor Gasket Set-See Ref. 977 & 977A.
 ⚙ Included in Valve Gasket Set-See Ref. 1095.



REF. NO.	PART NO.	DESCRIPTION	REF. NO.	PART NO.	DESCRIPTION	REF. NO.	PART NO.	DESCRIPTION	
3	★391086	Seal—Oil (Magneto Side)	12	★271916	Gasket— Crankcase (.015" Thick, Standard)	20	★291675	Seal—Oil (PTO Side)	
7	∅★271866	Gasket—Cylinder Head			Note	51A	∅★272554	Gasket—Intake	
9	∅★27803	Gasket—Breather			★271997	Gasket— Crankcase (.005" Thick)	176	∅★281106	O—Ring Seal (Air Cleaner Base)
					★271996	Gasket— Crankcase (.009" Thick)	358	494241	Gasket Set—Engine
							524	★281370	Seal—Dipstick Tube
							691	★491323	Seal—Governor Shaft
							842	★270920	O—Ring Seal
							883	∅★272293	Gasket—Exhaust
							1095	498539	Gasket Set—Valve

★ Included in Engine Gasket Set—See Ref. 358.
● Included in Carburetor Overhaul Kit—See Ref. 121 & 121A.

◆ Included in Carburetor Gasket Set—See Ref. 977 & 977A.
∅ Included in Valve Gasket Set—See Ref. 1095.