

## 282700 to 282799

# Illustrated Parts List

## Model Series

### 282700 to 282799

#### TYPE NUMBERS

0026, 0028, 0101,  
0110, 0111, 0113,  
0116, 0119, 0122,  
0123, 0125, 0167,  
0170, 0172, 0604.

#### TO FIND

#### THE CORRECT NUMBER OF THE PART YOU NEED: FOLLOW THE INSTRUCTIONS BELOW

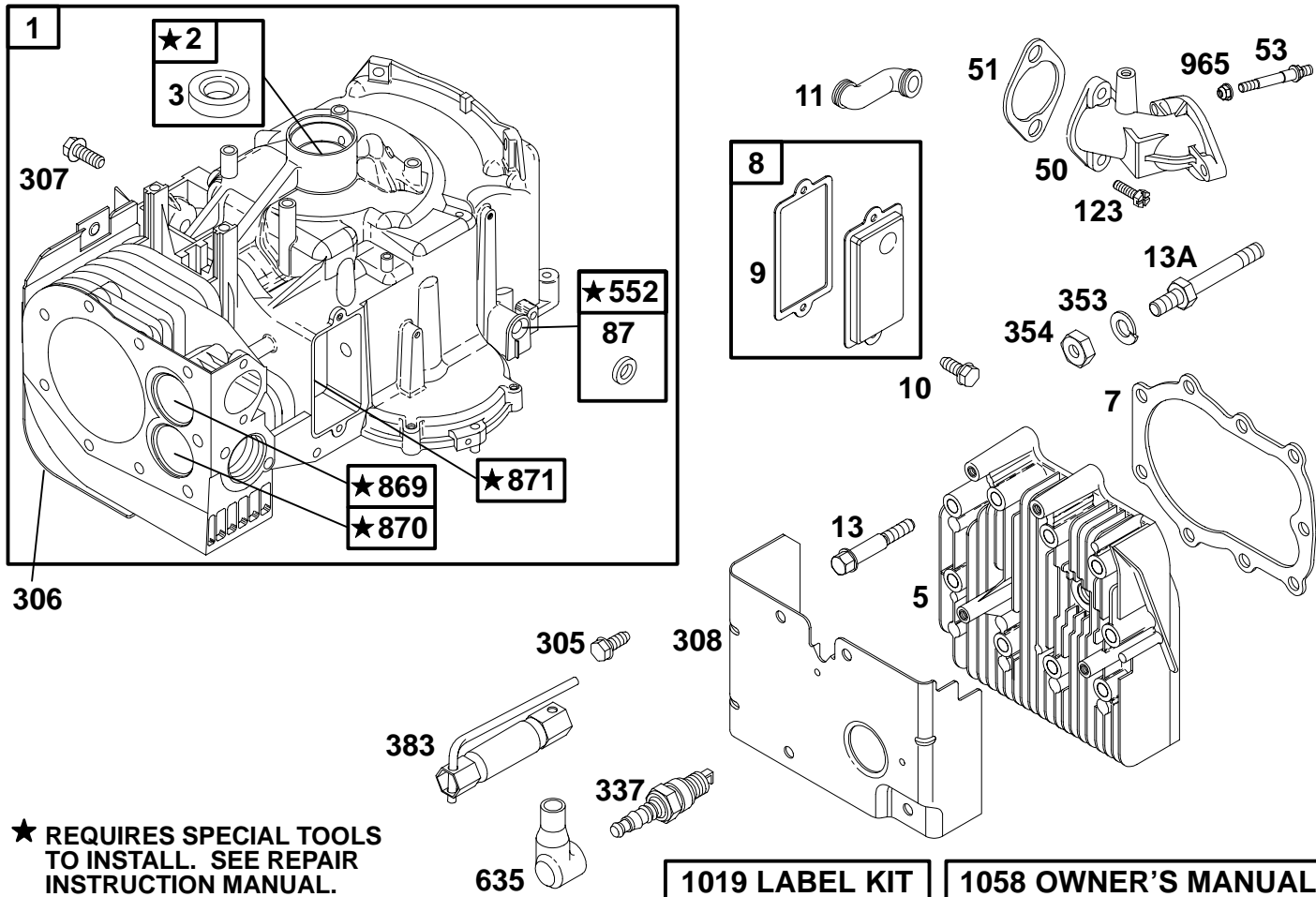
- A. Refer to Engine Model, Type and Code Number that is stamped on the blower housing of engine. Engine type numbers such as 0123 01 are listed only as 0123 in most instances. The two digits (01 or 02, etc.) to the right of the space may be required for more accurate parts identification in some instances. Select the Illustrated Parts List covering the correct Model Series and Type Number.
- B. Refer to the Illustrations and compare the original part with Illustration. The number next to the illustration is the Reference Number. Assemblies include all parts shown in frames. All parts shown in assembly frames having individual reference numbers can be purchased separately.
- C. After the Reference Number has been identified, refer to the Numerical text, where Reference and Primary Part Number are listed. **THE PRIMARY PART IS USED ON ALL TYPE NUMBERS EXCEPT THOSE TYPE NUMBERS UNDER "NOTE."**
- D. If a "Note" appears below the Primary Part Number, it means that this part differs from the Primary Part for certain types. If your Type number is listed under "Note," order the part referred to at the "Note."
- E. If your Engine Type Number does not appear after any part number listed under "Note," use the Primary Part Number.
- F. For Engine Type Numbers not covered by this book, check other Parts Lists having the same engine model or contact your source of supply.

PRINTED IN U.S.A.



COPYRIGHT by BRIGGS & STRATTON CORPORATION  
All rights reserved. No part of this material may be reproduced or transmitted, in any form or by any means, electronic or mechanical, including photocopying, recording or by any information storage and retrieval system, without permission in writing from Briggs & Stratton Corporation.

# 282700 to 282799



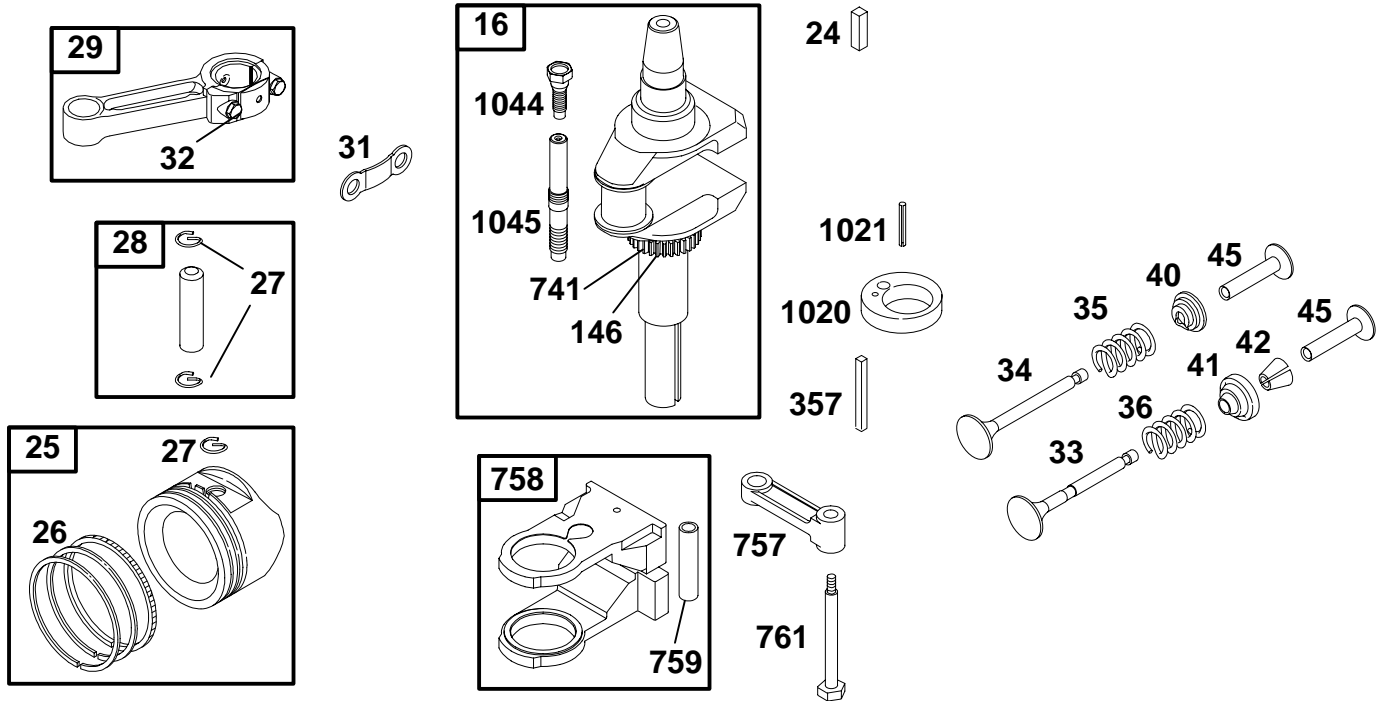
★ **REQUIRES SPECIAL TOOLS TO INSTALL. SEE REPAIR INSTRUCTION MANUAL.**

REF. NO.	PART NO.	DESCRIPTION	REF. NO.	PART NO.	DESCRIPTION	REF. NO.	PART NO.	DESCRIPTION
1	496414	Cylinder Assembly	123	94913	Screw-Torx® Hex.	871	261961	Bushing-Guide (Exhaust Valve)
2	399264	Bushing	305	94786	Screw-Hex.			<b>Note</b>
3	★391086	Seal-Oil	306	224545	Shield-Cylinder			231218 Bushing-Guide
5	494240	Head-Cylinder	307	94930	Screw-Hex.			(Intake Valve)
7	∅★271866	Gasket-Cylinder Head	308	491490	Cover-Cylinder			(Brass)
8	495735	Breather Assembly	337	802592	Plug-Spark	965	94010	Nut-Hex.
9	∅★27803	Gasket-Breather	353	94315	Washer-Lock	1019	491252	Label Kit
10	94719	Screw-Hex.	354	94726	Nut-Hex.	1058	272697	Owner's Manual
11	280100	Tube-Breather	383	89838	Wrench-Spark Plug			<b>Note</b>
13	94622	Screw-Hex.	552	491986	Bushing-Governor Crank			273131 Owner's Manual
13A	93781	Stud-Hex. Drive	635	66538	Boot-Spark Plug			Used on Type No(s). 0604.
50	213819	Manifold-Intake	869	261463	Seat-Valve (Intake)			
51	∅★272554	Gasket-Intake	870	262924	Seat-Valve (Exhaust)			
53	94637	Stud-Carb. Mounting						
87	★491323	Seal-Governor Shaft						

★ Included in Gasket Set-Part No. 494241.  
 ∅ Included in Valve Overhaul Kit-Part No. 498539.

● Included in Carburetor Kit-See Ref. No. 121.  
 ◆ Included in Carburetor Gasket Set-Part No. 494385.

282700 to 282799

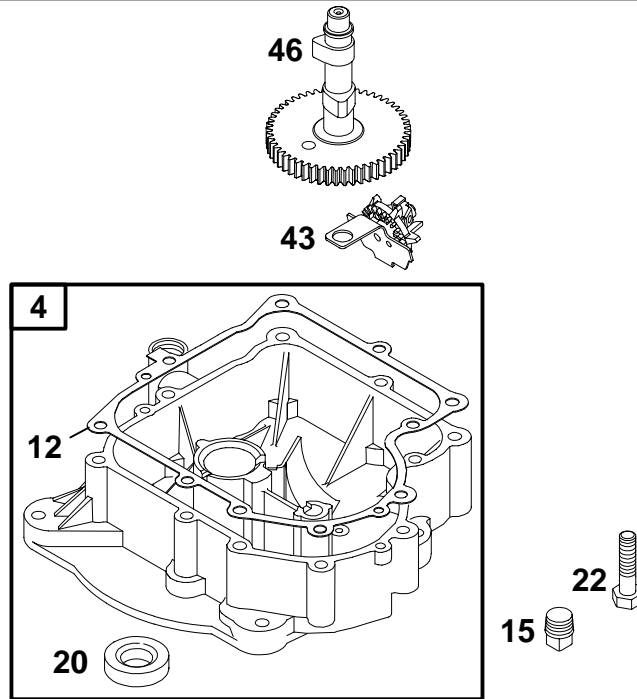


REF. NO.	PART NO.	DESCRIPTION	REF. NO.	PART NO.	DESCRIPTION	REF. NO.	PART NO.	DESCRIPTION		
16	498971	Crankshaft	27	260924	Lock-Piston Pin	41	292260	Retainer-Valve		
24	222698	Key-Flywheel	28	299691	Pin-Piston (Standard)	42	494553	Keeper-Valve		
25	499956	Piston Assembly (Standard)			<b>Note</b>	45	262248	Tappet-Valve		
		<b>Note</b>			391286	Pin-Piston (.005" O.S.)	146	94196	Key-Timing	
		499957			29	490348	Rod-Connecting (Standard)	357	91540	Key-Drive Pulley
		499958					<b>Note</b>	741	262932	Gear-Timing
		499959					262135			Gear-Timing (Used Before Code Date 92080300).
26	499996	Ring Set (Standard)			29	490469	Rod-Connecting (.020" Undersize)	757	213998	Link-Counterweight
		<b>Note</b>			31	222299	Lock-Rod Screw	758	399891	Counterweight
		392331			32	94671	Screw-Connecting Rod	759	230787	Pin-Counterweight
		499997			33	262246	Valve-Exhaust	761	94593	Screw-Hex.
		499998			34	262247	Valve-Intake	1020	262243	Eccentric
		499999			35	65906	Spring-Valve	1021	94853	Pin-Groove
					36	26828	Spring-Valve	1044	94673	Screw-Shoulder
					40	221596	Retainer-Valve	1045	231828	Extension-Crankshaft

★ Included in Gasket Set-Part No. 494241.  
 ∅ Included in Valve Overhaul Kit-Part No. 498539.

● Included in Carburetor Kit-See Ref. No. 121.  
 ◆ Included in Carburetor Gasket Set-Part No. 494385.

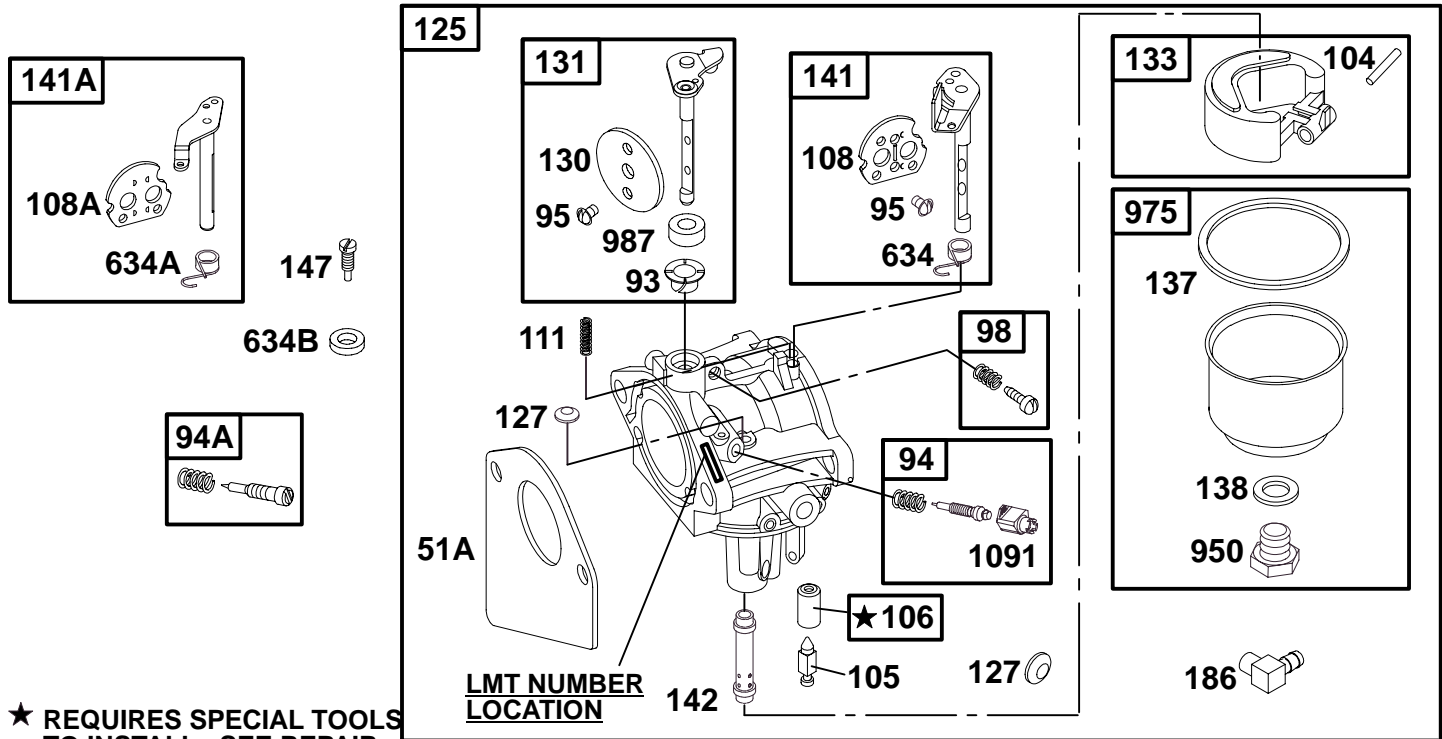
# 282700 to 282799



REF. NO.	PART NO.	DESCRIPTION	REF. NO.	PART NO.	DESCRIPTION	REF. NO.	PART NO.	DESCRIPTION
4	494238	Sump-Engine	15	94239	Plug-Oil Drain	43	490815	Governor-Oil Slinger
12	★271916	Gasket-Crankcase (.015" Thick, Std.)	20	★291675	Seal-Oil	46	212897	Gear-Cam
<p style="text-align: center;"><b>Note</b></p> <p>★271997 Gasket-Crankcase (.005" Thick)</p> <p>★271996 Gasket-Crankcase (.009" Thick)</p>								

★ Included in Gasket Set-Part No. 494241.  
 ∅ Included in Valve Overhaul Kit-Part No. 498539.

● Included in Carburetor Kit-See Ref. No. 121.  
 ◆ Included in Carburetor Gasket Set-Part No. 494385.



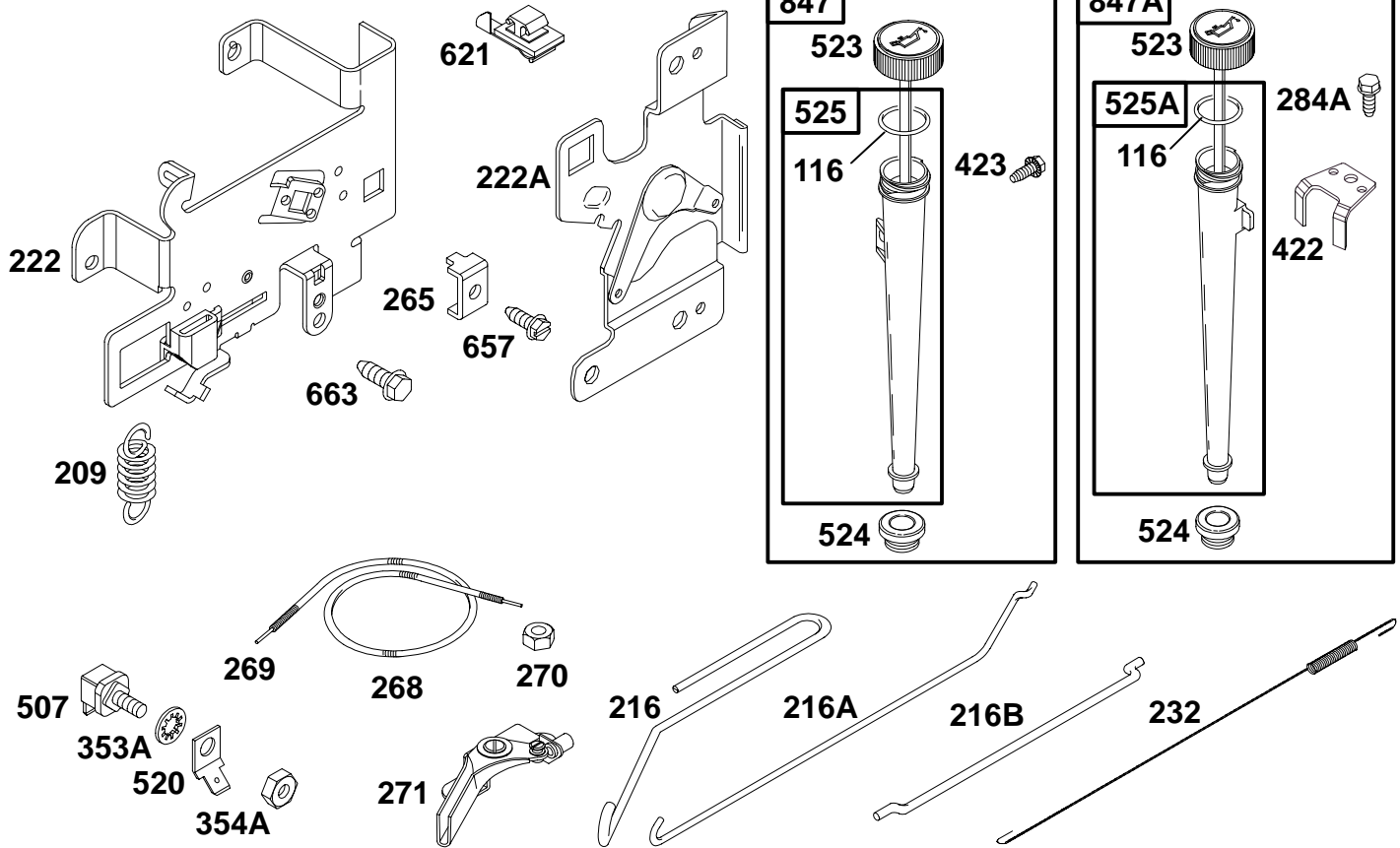
**THIS CARBURETOR SERVICES BOTH CHOKE-A-MATIC AND MANUAL CHOKE SYSTEMS**

REF. NO.	PART NO.	DESCRIPTION	REF. NO.	PART NO.	DESCRIPTION	REF. NO.	PART NO.	DESCRIPTION
51A★◆	272465	Gasket-Intake	125	498027	Carburetor (For Choke-A-Matic and Manual Choke)	142	◆497736	Nozzle-Carburetor (Standard) (LMT 92,96)
93	281346	Bushing-Throttle Shaft	127	●	Plug-Welch (Sold in Kit Only)			<b>Note</b>
94	498030	Valve-Idle Adjustment	130	224539	Valve-Throttle		●497566	Nozzle-Carb. (Standard) (LMT 5,37,41,77, 81,157)
94A	495932	Valve-Idle Adjustment	131	494379	Throttle Shaft Kit		497737	Nozzle-Carb. (High Altitude) (LMT 92,96)
95	●94098	Screw-Choke/Throttle	133	494381	Float-Carburetor		497567	Nozzle-Carb. (High Altitude) (LMT 5,37,41,77, 81,157)
98	495800	Screw-Idle Speed	137	◆281165	Gasket-Float Bowl			
104	●231789	Pin-Float Hinge	138	◆281164	Washer			
105	●231855	Valve-Needle	141	495097	Choke Shaft Kit (Manual Choke)			
		<b>Note</b>	141A	495931	Choke Shaft Kit (Choke-A-Matic)			
		●494788 Valve-Needle (Used Before Code Date 92072000).						
106	●231854	Seat-Inlet					147	●497472 Jet-Pilot LMT 5,37,41,77,81)
		<b>Note</b>					186	493496 Connector-Hose
		281169 Seat-Inlet (Used Before Code Date 92072000).					634	●494453 Seal-Spring Assembly
108	224558	Valve-Choke					634A	●494455 Seal-Spring Assembly
108A	224540	Valve-Choke					634B	●281167 Seal (Throttle Shaft) (LMT 5,37,39)
111	262820	Spring-Friction					950	94642 Screw-Bowl Mounting
							975	495933 Bowl-Float
							987	●281166 Seal-Throttle Shaft
							1091	281364 Cap-Limiter

★ Included in Gasket Set-Part No. 494241.  
 ◊ Included in Valve Overhaul Kit-Part No. 498539.

● Included in Carburetor Kit-See Ref. No. 121.  
 ◆ Included in Carburetor Gasket Set-Part No. 494385.

# 282700 to 282799

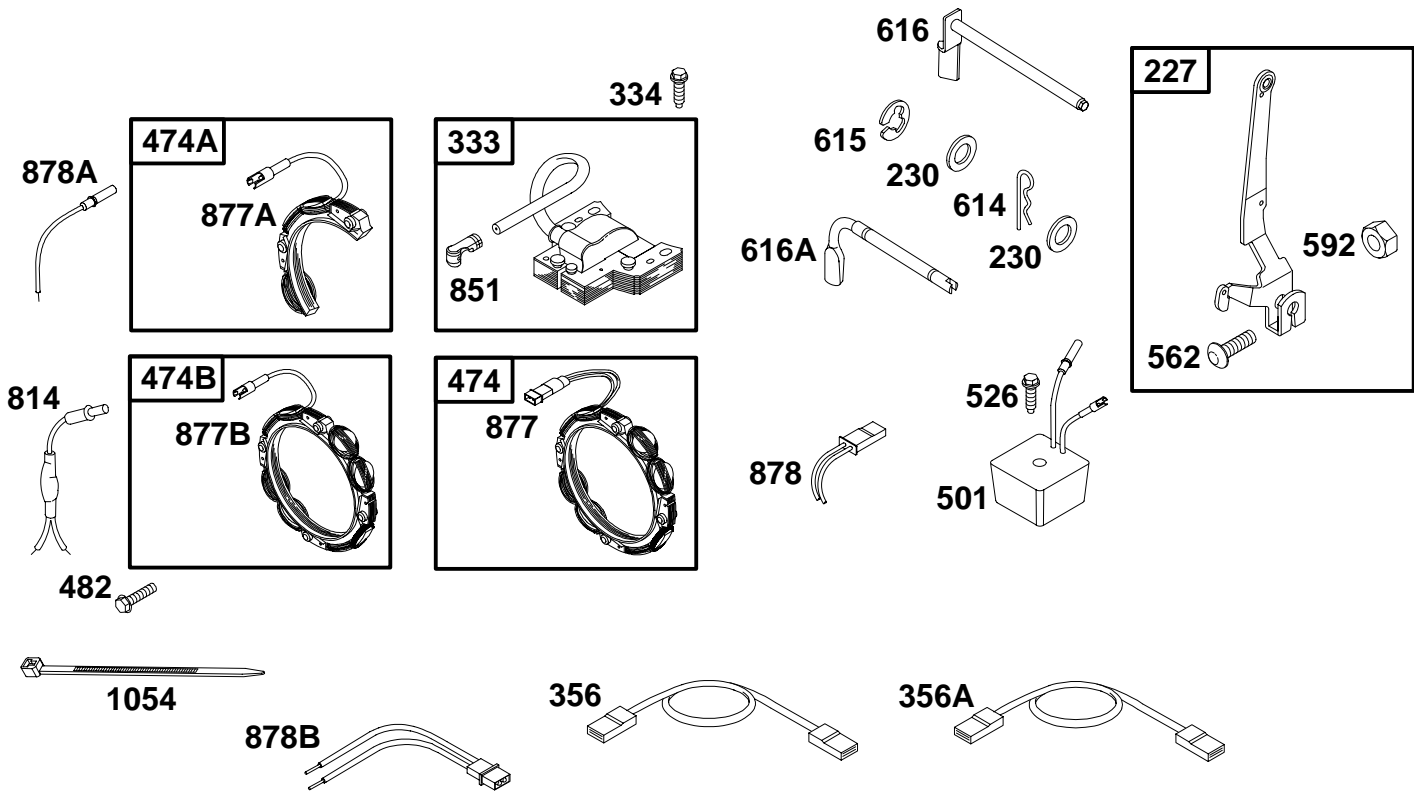


REF. NO.	PART NO.	DESCRIPTION	REF. NO.	PART NO.	DESCRIPTION	REF. NO.	PART NO.	DESCRIPTION
116	★270920	Seal-O-Ring	268	65616	Casing-Wire (72" Long) (Cut to Required Length)	507	398525	Insulator
209	260871	Spring-Governor	269	26633	Wire-Control (78" Long) (Cut to Required Length)	520	93722	Terminal
		<b>Note</b>	270	63426	Locknut-Casing	523	495230	Dipstick
		261306 Spring-Gov. Used on Type No(s). 0026, 0028, 0116, 0122.	271	290568	Lever-Control	524	★281370	Seal-Fill Tube
216	262766	Link-Choke	284A	94874	Screw-Hex.	525	496113	Tube-Oil Fill
216A	262767	Link-Choke	353A	92791	Washer-Lock	525A	495768	Tube-Oil Fill
216B	262828	Link-Choke	354A	90576	Nut-Hex.	621	396847	Switch-Stop
222	495611	Bracket-Control	422	224390	Bracket-Oil Fill	657	94906	Screw-Slotted Hex.
222A	494587	Bracket-Control	423	94903	Screw-Shoulder	663	94929	Screw-Hex.
232	262785	Spring-Link				847	496415	Dipstick/Tube Assembly
265	221535	Clamp-Casing				847A	490474	Dipstick/Tube Assembly

★ Included in Gasket Set-Part No. 494241.  
 ∅ Included in Valve Overhaul Kit-Part No. 498539.

● Included in Carburetor Kit-See Ref. No. 121.  
 ◆ Included in Carburetor Gasket Set-Part No. 494385.

282700 to 282799

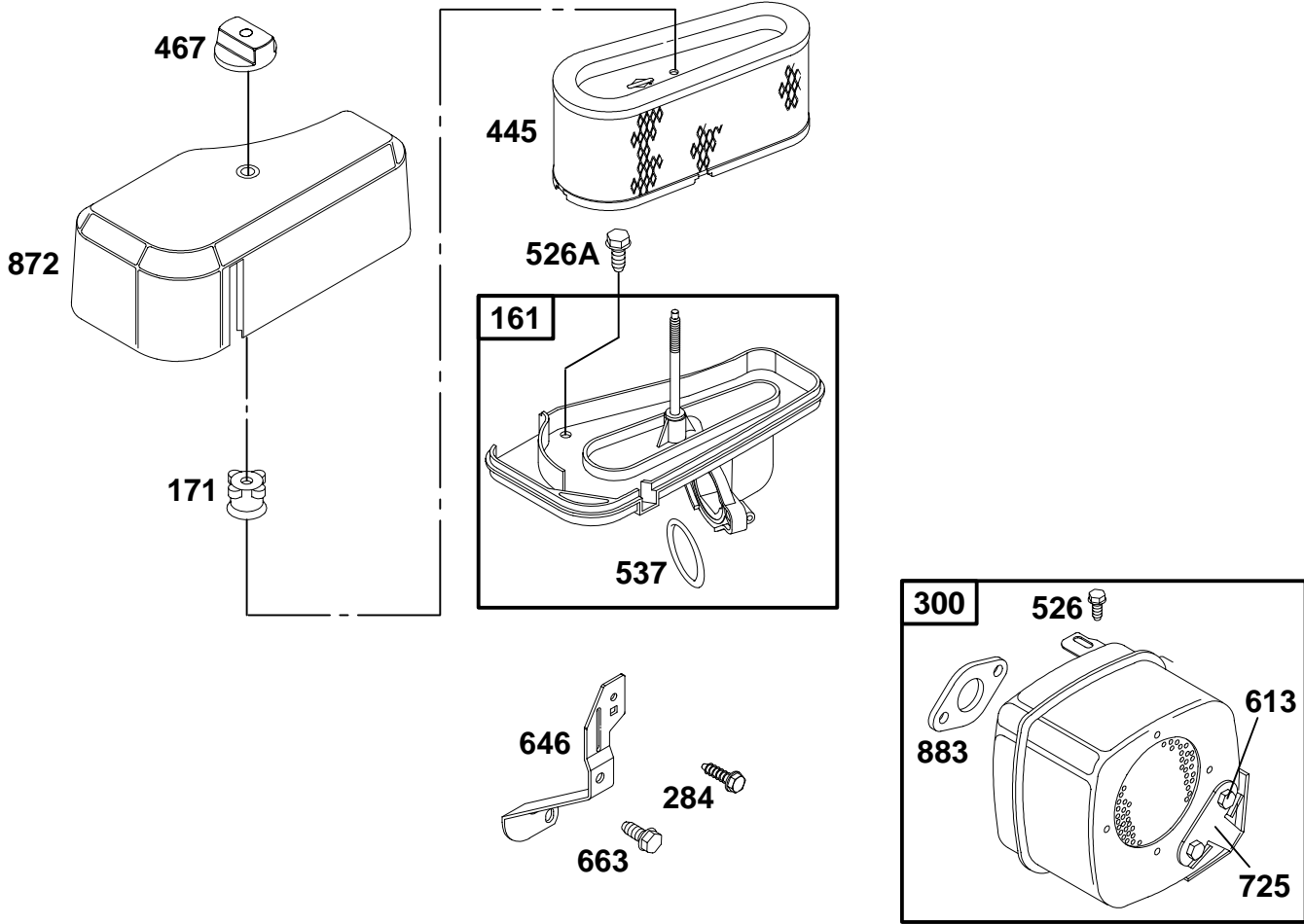


REF. NO.	PART NO.	DESCRIPTION	REF. NO.	PART NO.	DESCRIPTION	REF. NO.	PART NO.	DESCRIPTION
227	493935	Lever-Governor	482	93621	Screw-Hex.	814	392606	Harness-Alternator
230	94927	Washer-Flat	501	491546	Regulator	851	493880	Terminal-Cable
333	492341	Armature-Magneto	526	94137	Screw-Hex.	877	393456	Wire-Alternator
334	94731	Screw-Hex.	562	94907	Bolt-Governor Lever	877A	393814	Wire-Alternator
356	398808	Wire-Stop	592	231082	Nut-Hex.	877B	393537	Wire-Alternator
356A	494328	Wire Stop	614	93306	Pin-Cotter	878	393362	Harness-Alternator
474	393474	Alternator	615	93307	Retainer-E-Ring	878A	393422	Harness-Alternator
474A	391529	Alternator	616	495157	Crank-Governor	878B	399916	Harness-Alternator
474B	392595	Alternator	616A	495157	Crank-Governor	1054	280275	Tie-Cable

★ Included in Gasket Set-Part No. 494241.  
 ∅ Included in Valve Overhaul Kit-Part No. 498539.

● Included in Carburetor Kit-See Ref. No. 121.  
 ◆ Included in Carburetor Gasket Set-Part No. 494385.

# 282700 to 282799



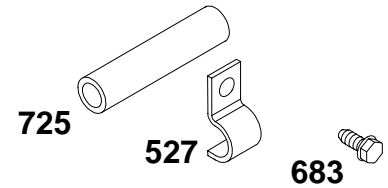
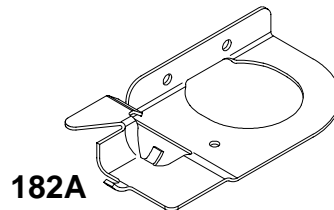
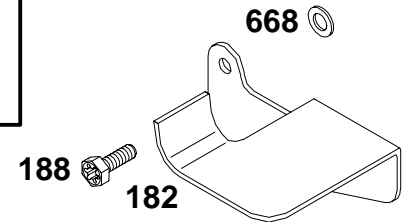
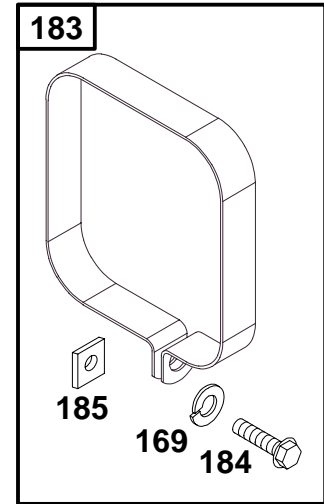
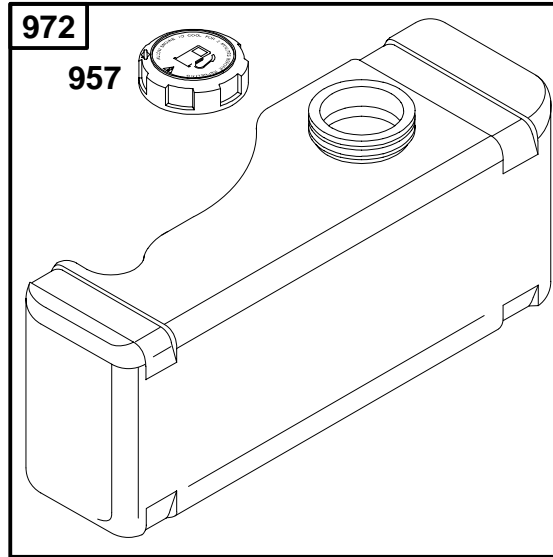
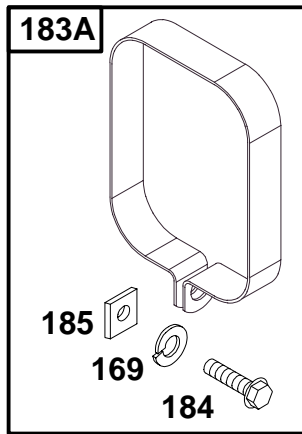
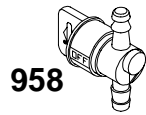
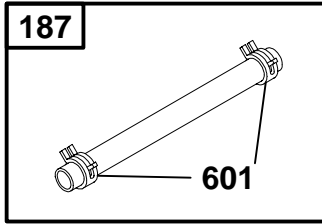
REF. NO.	PART NO.	DESCRIPTION	REF. NO.	PART NO.	DESCRIPTION	REF. NO.	PART NO.	DESCRIPTION
161	494237	Base—Air Cleaner	467	493903	Nut—Air Cleaner	646	224546	Brace
171	281051	Nut	526	94863	Screw—Hex	663	94929	Screw—Hex.
284	94704	Screw—Hex.	526A	94786	Screw—Hex.	725	223023	Shield—Heat
300	491413	Muffler—Exhaust	537	∅*281106	Gasket—Air Cleaner	872	281104	Cover—Air Cleaner
445	496894	Filter—Air	613	93927	Screw—Shoulder	883	∅*272293	Gasket—Exhaust

★ Included in Gasket Set—Part No. 494241.  
 ∅ Included in Valve Overhaul Kit—Part No. 498539.

● Included in Carburetor Kit—See Ref. No. 121.  
 ◆ Included in Carburetor Gasket Set—Part No. 494385.



282700 to 282799

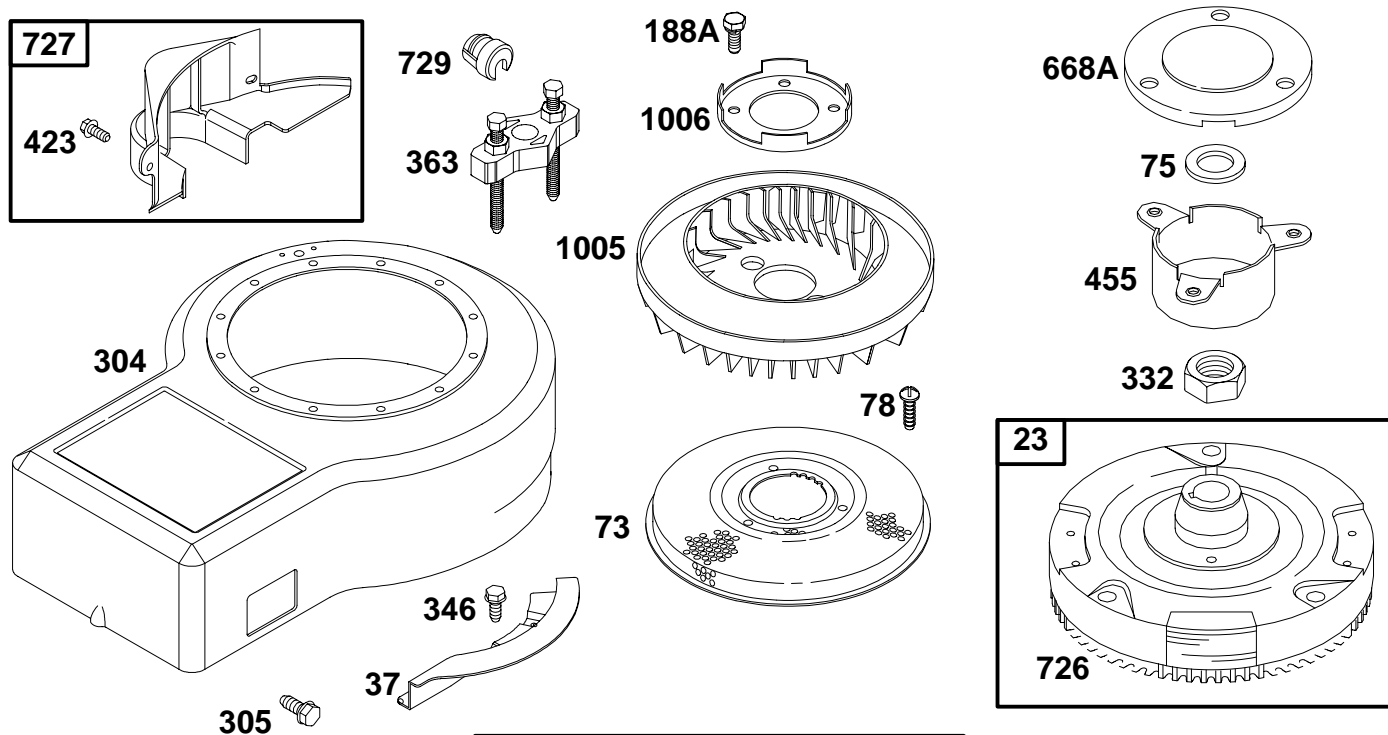


REF. NO.	PART NO.	DESCRIPTION	REF. NO.	PART NO.	DESCRIPTION	REF. NO.	PART NO.	DESCRIPTION
169	90832	Washer-Lock	188	94480	Screw-Torx®Hex.	601	95162	Clamp-Hose
182	223925	Bracket-Fuel Tank	240	298090	Filter-Fuel	668	231109	Spacer
182A	498194	Bracket-Fuel Tank	<b>Note</b>			683	94874	Screw-Hex.
183	390406	Strap-Fuel Tank	394358 Filter-Fuel			725	222175	Shield-Heat
183A	496852	Strap-Fuel Tank	Used on Type No(s).			957	493988	Cap-Fuel Tank
184	94286	Screw-Hex.	0111, 0113, 0119,			958	494768	Valve-Shut Off
185	90970	Nut	0167, 0170.			972	390225	Tank-Fuel (3 Quart)
187	299146	Line-Fuel (Cut to Required Length)	527	221428	Clamp-Tube			

★ Included in Gasket Set-Part No. 494241.  
 ∅ Included in Valve Overhaul Kit-Part No. 498539.

● Included in Carburetor Kit-See Ref. No. 121.  
 ◆ Included in Carburetor Gasket Set-Part No. 494385.

# 282700 to 282799



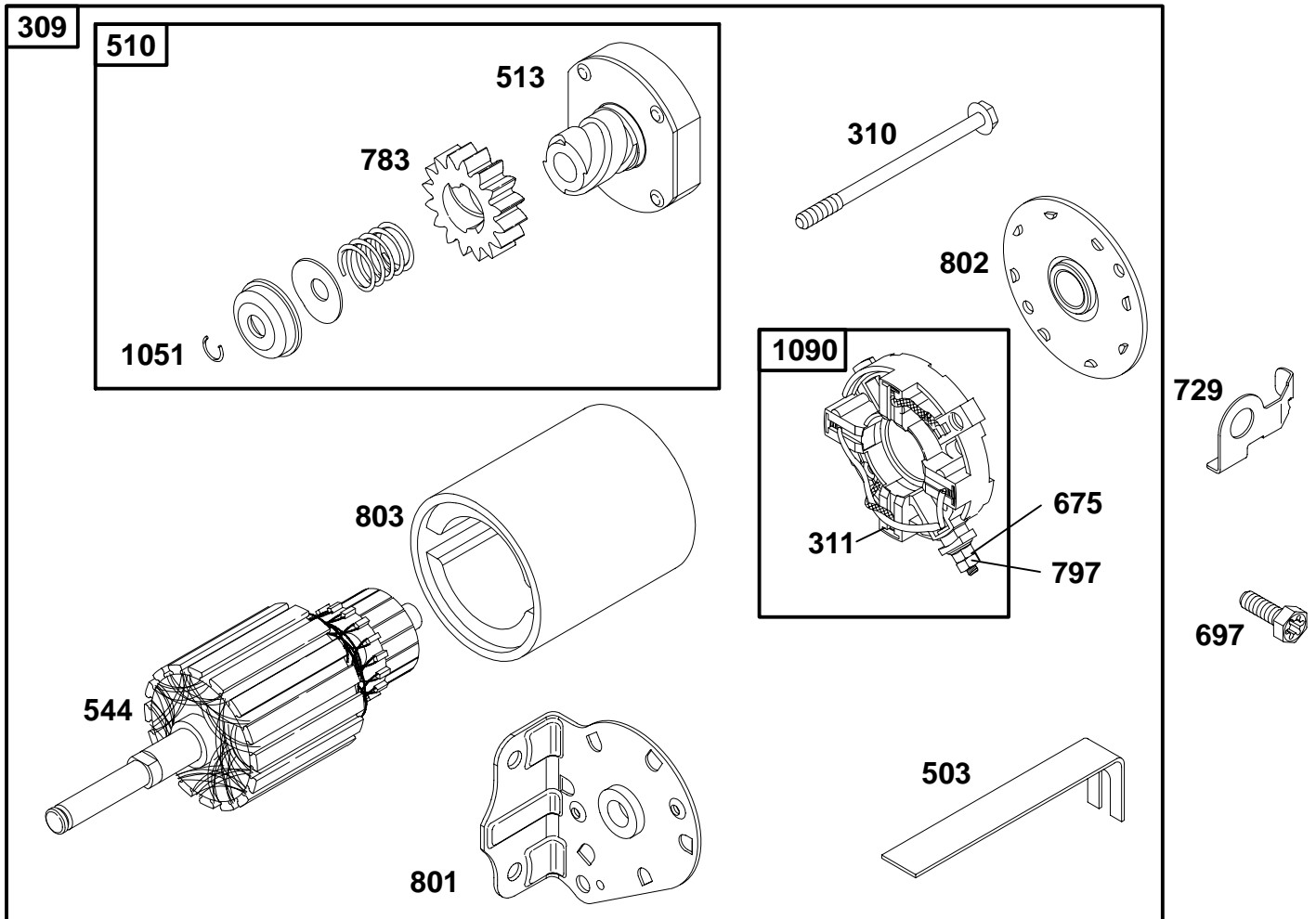
**1036 LABEL KIT-EMISSION**

REF. NO.	PART NO.	DESCRIPTION	REF. NO.	PART NO.	DESCRIPTION	REF. NO.	PART NO.	DESCRIPTION
23	492326	Flywheel	304	496319	Housing-Blower	455	222561	Cup-Flywheel
37	224502	Guard-Flywheel			<b>Note</b>	668A	280848	Spacer
73	224517	Screen-Rotating			494269	726	399676	Gear-Ring
75	225136	Washer-Flywheel			Housing-Blower	727	490324	Cover-Starter Drive
78	94626	Screw-Phillips			(Used Before Code Date 93091300).	729	281159	Clip-Wire
188A	94627	Screw-Hex.	305	94734	Screw-Hex.	1005	280687	Fan-Flywheel
			332	94877	Nut-Flywheel	1006	224413	Retainer-Fan
			346	94986	Screw-Hex.	1036	499361	Label Kit-Emission
			363	19203	Flywheel Puller			Used on Type No(s). 0604.
			423	94903	Screw-Shoulder			

★ Included in Gasket Set-Part No. 494241.  
 ∅ Included in Valve Overhaul Kit-Part No. 498539.

● Included in Carburetor Kit-See Ref. No. 121.  
 ◆ Included in Carburetor Gasket Set-Part No. 494385.

282700 to 282799

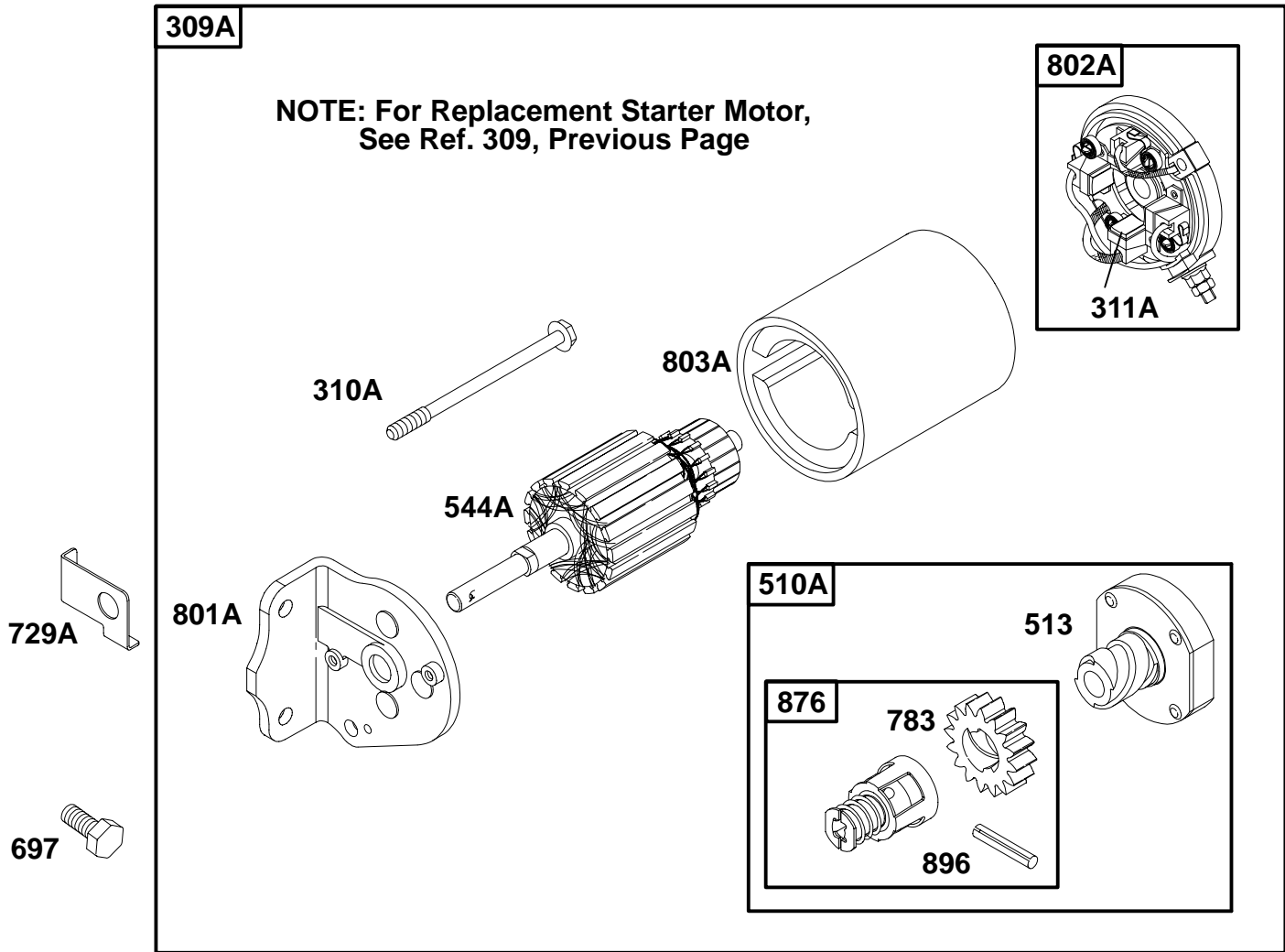


REF. NO.	PART NO.	DESCRIPTION	REF. NO.	PART NO.	DESCRIPTION	REF. NO.	PART NO.	DESCRIPTION
309	693054	Motor-Starter (3 5/8" Housing Lgth.)	311	497608	Brush Set	783	693059	Gear-Starter
		<b>Note</b>	503	806000	Strap-Starter	797	92278	Nut (Starter Terminal)
	499521	Motor-Starter (4 3/8" Housing Lgth.)	510	497606	Drive-Starter	801	497626	Cap-Drive
310	94003	Bolt (Starter Motor) (For 3 5/8" Housing Length)	513	398003	Clutch-Drive	802	497607	Cap-End
		<b>Note</b>	544	497603	Armature-Starter (3 5/8" Housing Length)	803	497604	Housing-Starter (3 5/8" Housing Length)
	95035	Bolt (Starter Motor) (For 4 3/8" Housing Length)	675	225137	Washer (Starter Motor)	1051	263080	Ring-Retaining
			697	94773	Screw (Starter Motor Mounting)	1090	497605	Retainer-Brush
			729	225170	Clip-Wire			

★ Included in Gasket Set-Part No. 494241.  
 ∅ Included in Valve Overhaul Kit-Part No. 498539.

● Included in Carburetor Kit-See Ref. No. 121.  
 ◆ Included in Carburetor Gasket Set-Part No. 494385.

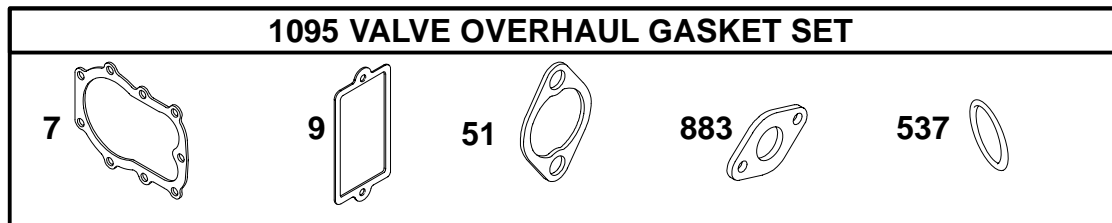
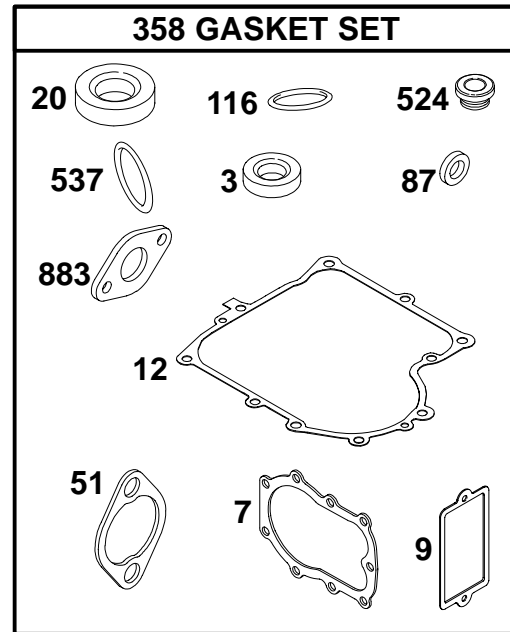
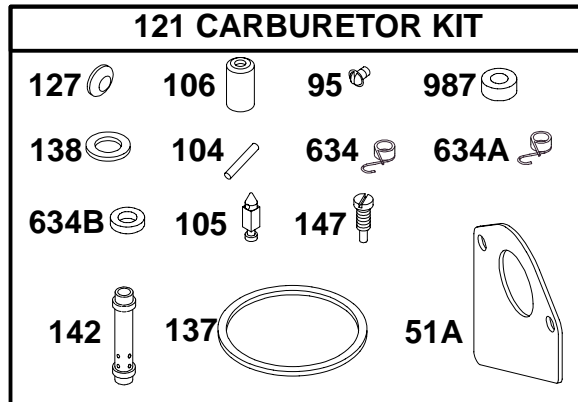
# 282700 to 282799



REF. NO.	PART NO.	DESCRIPTION	REF. NO.	PART NO.	DESCRIPTION	REF. NO.	PART NO.	DESCRIPTION
<b>309A</b>		<b>For Replacement Starter Motor, See Ref 309, Previous Page.</b>	<b>513</b>	<b>398003</b>	Clutch-Drive	<b>802A</b>	<b>395537</b>	Cap-End (For 3 5/8" Housing Length)
<b>310A</b>	<b>94003</b>	Bolt (Starter Motor) (For 3 5/8" Housing Length)	<b>544A</b>	<b>390837</b>	Armature-Starter (For 3 5/8" Housing Length)			<b>Note</b>
		<b>Note</b>			<b>490309</b>			<b>494988</b> Cap-End (For 4 3/8" Housing Length)
		<b>95035</b> Bolt (Starter Motor) (For 4 3/8" Housing Length)	<b>697</b>	<b>94627</b>	Screw (Starter Motor Mounting)	<b>803A</b>	<b>398159</b>	Housing-Starter (For 3 5/8" Housing Length)
<b>311A</b>	<b>395538</b>	Brush Set (For 3 5/8" Housing Lengths )	<b>783</b>	<b>693059</b>	Gear-Starter			<b>Note</b>
<b>503</b>	<b>806000</b>	Strap-Starter	<b>801</b>	<b>394856</b>	Cap-Drive			<b>494205</b> Housing-Starter (For 4 3/8" Housing Length)
<b>510A</b>	<b>495878</b>	Drive-Starter				<b>876</b>	<b>495877</b>	Kit-Gear
						<b>896</b>	<b>94288</b>	Pin-Roll

★ Included in Gasket Set-Part No. 494241.  
 ∅ Included in Valve Overhaul Kit-Part No. 498539.

● Included in Carburetor Kit-See Ref. No. 121.  
 ◆ Included in Carburetor Gasket Set-Part No. 494385.



REF. NO.	PART NO.	DESCRIPTION	REF. NO.	PART NO.	DESCRIPTION	REF. NO.	PART NO.	DESCRIPTION	
3	★391086	Seal-Oil	121	499220	Carburetor Kit (Used After Code Date 96072500). (LMT 92, 96)	147	●497472	Jet-Pilot LMT 5,37,41,77,81)	
7	∅★271866	Gasket-Cylinder Head			<b>Note</b>	358	494241	Gasket Set	
9	∅★27803	Gasket-Breather			499231 Carburetor Kit (Used After Code Date 96072500). (LMT 157)	524	★281370	Seal-Fill Tube	
12	★271916	Gasket-Crankcase (.015" Thick, Std.)			497481 Carburetor Kit (Used Before Code Date 96072600).	537	∅★281106	Gasket-Air Cleaner	
		<b>Note</b>			127	●			
		★271997 Gasket-Crankcase (.005" Thick)			137	●★281165		634	●494453 Seal-Spring Assembly (Manual Choke)
		★271996 Gasket-Crankcase (.009" Thick)			138	●★281164		634A	●494455 Seal-Spring Assembly (Choke-A-Matic)
20	★291675	Seal-Oil			142	●497736		634B	●281167 Seal (Throttle Shaft) (LMT 5,37,39)
51	∅★272554	Gasket-Intake						883	∅★272293 Gasket-Exhaust
51A	●★272465	Gasket-Intake						977	494385 Gasket Set-Carburetor
87	★491323	Seal-Governor Shaft						987	●281166 Seal-Throttle Shaft
95	●94098	Screw-Choke/Throttle						1095	498539 Gasket Set-Valve Overhaul
104	●231789	Pin-Float Hinge							
105	●231855	Valve-Needle							
106	●231854	Seat-Inlet							
116	★270920	Seal-O-Ring							

★ Included in Gasket Set-Part No. 494241.  
∅ Included in Valve Overhaul Kit-Part No. 498539.

● Included in Carburetor Kit-See Ref. No. 121.  
◆ Included in Carburetor Gasket Set-Part No. 494385.