

256400 to 256499

Illustrated Parts List

Model Series

256400 to 256499

TYPE NUMBERS

0004 through 0008,
0012, 0015,
0020 through 0028,
0070, 0101,
0111 through 0116,
0120, 0121, 0124,
0128 through 0143,
0153, 0156, 0173,
0174, 0506, 0512,
0515, 0525, 0527,
0528, 0570, 0601,
0634, 0635, 0653,

TYPE NUMBERS

0660, 0661, 0695,
0696,
1004 through 1008,
1012, 1015,
1020 through 1029,
1049, 1050, 1070,
1072, 1101, 1121,
1130 through 1140,
1153, 1154, 1156,
1161, 1162, 1174,
1177, 1195, 1196,
1198 through 1210,
1211.

TO FIND

**THE CORRECT NUMBER OF THE PART YOU NEED:
FOLLOW THE INSTRUCTIONS BELOW**

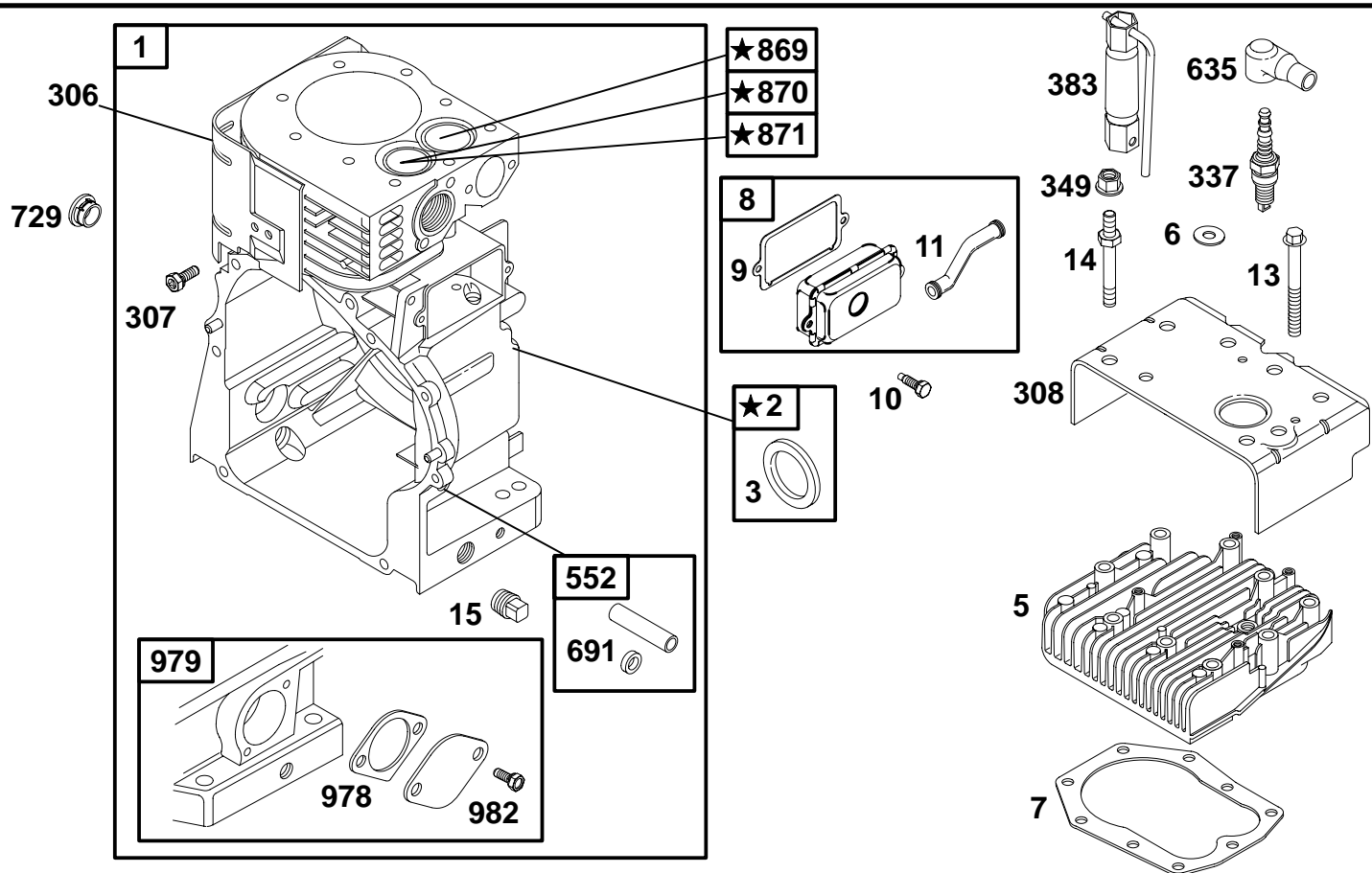
- A. Refer to Engine Model, Type and Code Number that is stamped on the blower housing of engine. Engine type numbers such as 0123 01 are listed only as 0123 in most instances. The two digits (01 or 02, etc.) to the right of the space may be required for more accurate parts identification in some instances. Select the Illustrated Parts List covering the correct Model Series and Type Number.
- B. Refer to the Illustrations and compare the original part with Illustration. The number next to the illustration is the Reference Number. Assemblies include all parts shown in frames. All parts shown in assembly frames having individual reference numbers can be purchased separately.
- C. After the Reference Number has been identified, refer to the Numerical text, where Reference and Primary Part Number are listed. **THE PRIMARY PART IS USED ON ALL TYPE NUMBERS EXCEPT THOSE TYPE NUMBERS UNDER "NOTE."**
- D. If a "Note" appears below the Primary Part Number, it means that this part differs from the Primary Part for certain types. If your Type number is listed under "Note," order the part referred to at the "Note."
- E. If your Engine Type Number does not appear after any part number listed under "Note," use the Primary Part Number.
- F. For Engine Type Numbers not covered by this book, check other Parts Lists having the same engine model or contact your source of supply.

PRINTED IN U.S.A.



COPYRIGHT by BRIGGS & STRATTON CORPORATION
All rights reserved. No part of this material may be reproduced or transmitted, in any form or by any means, electronic or mechanical, including photocopying, recording or by any information storage and retrieval system, without permission in writing from Briggs & Stratton Corporation.

256400 to 256499



1058 OWNER'S MANUAL

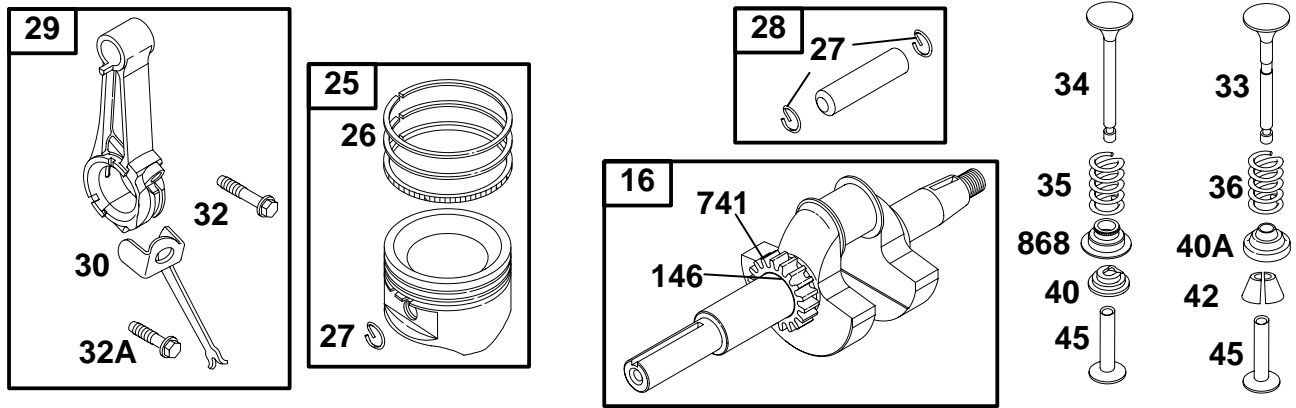
1019 LABEL KIT

★ **REQUIRES SPECIAL TOOLS TO INSTALL. SEE REPAIR INSTRUCTION MANUAL.**

REF. NO.	PART NO.	DESCRIPTION	REF. NO.	PART NO.	DESCRIPTION	REF. NO.	PART NO.	DESCRIPTION
1	497411	Cylinder Assembly	13	94622	Screw (Cylinder Head)	635	66538	Boot-Sparkplug
2	399265	Kit-Bushing/Seal (Magneto Side)	14	691109	Stud (Cylinder Head)	691	★491323	Seal-Governor Shaft
3	★391086	Seal-Oil (Magneto Side)	Note			729	691336	Clip-Wire
5	691154	Head-Cylinder	15	94239	Plug-Oil Drain	869	261463	Seat-Valve (Intake)
6	225137	Washer (Cylinder Head) Used on Type No(s). 0140, 1140.	Note			870	262924	Seat-Valve (Exhaust)
7	∅★271866	Gasket-Cylinder Head	306	690489	Shield-Cylinder	871	261961	Bushing-Valve Guide (Exhaust)
8	498038	Breather Assembly	307	94930	Screw (Cylinder Shield)	978	★273326	Gasket-Oil Gard®
9	∅★27803	Gasket-Breather	308	690491	Cover-Cylinder Head	979	691382	Cover-Oil Gard®
10	691666	Screw (Breather Assembly)	337	802592	Sparkplug	982	690351	Screw (OIL GARD® Cover)
11	280819	Tube-Breather (Used After Code Date 95010100).	349	691105	Nut (Cylinder Cover)	1019	497156	Kit-Label
		Note	383	89838	Wrench-Sparkplug	1058	274786	Owner's Manual (Emission Engines)
		281426 Tube-Breather (Used Before Code Date 95010200).	552	491893	Bushing-Governor Crank			

★ Included in Engine Gasket Set-Ref. No. 385.
 • Included in Carburetor Overhaul Kit-Ref. No. 121.

◆ Included in Carburetor Gasket Set-Ref. No. 977.
 ∅ Included in Valve Gasket Set-Ref. No. 1095.



REF. NO.	PART NO.	DESCRIPTION	REF. NO.	PART NO.	DESCRIPTION	REF. NO.	PART NO.	DESCRIPTION																																																			
16	491645	Crankshaft Note 399723 Crankshaft Used on Type No(s). 0101, 0130, 0601, 0660, 0661, 0695, 1101, 1130, 1138, 1161, 1195, 1210. 491635 Crankshaft Used on Type No(s). 0143, 1072, 1196. 491642 Crankshaft Used on Type No(s). 0135, 0635, 1135, 1162. 491644 Crankshaft Used on Type No(s). 0012, 0015, 0020, 0025, 0027, 0028, 0115, 0139, 0140, 0156, 0173, 0512, 0515, 0525, 0527, 0528, 0696, 1012, 1015, 1020, 1025, 1027, 1028, 1029, 1140, 1156. 497130 Crankshaft Used on Type No(s). 0121. 693634 Crankshaft Used on Type No(s). 1049, 1050. 498996 Crankshaft Used on Type No(s). 1174. 694535 Crankshaft Used on Type No(s). 1121, 1205.	25	499282	Piston Assembly (Standard) 499286 Piston Assembly (.010" O.S.) 499292 Piston Assembly (.020" O.S.) 499294 Piston Assembly (.030" O.S.)	26	495854	Ring Set (Standard) 495852 Ring Set (.010" O.S.) 495851 Ring Set (.020" O.S.) 495855 Ring Set (.030" O.S.)	27	691299	Lock-Piston Pin (Used After Code Date 95101500). Note 260924 Lock-Piston Pin (Used Before Code Date 95101600).	28	498319	Pin-Piston (Standard) (Used After Code Date 95101500). Note 299691 Pin-Piston (Standard) (Used Before Code Date 95101600). 498320 Pin-Piston (.005" O.S.) (Used After Code Date 95101500).	29	490348	Rod-Connecting (Standard) Note 490469 Rod-Connecting (.020" Undersize)	30	694612	Dipper-Connecting Rod (Used After Code Date 99091900). Note 690405 Dipper-Connecting Rod (Used Before Code Date 99092000).	32	690356	Screw (Connecting Rod) (1 7/8" Long)	32A	690348	Screw (Connecting Rod) (1 5/8" Long)	33	261185	Valve-Exhaust	34	261462	Valve-Intake	35	65906	Spring-Valve (Intake)	36	26828	Spring-Valve (Exhaust)	40	221596	Retainer-Valve	40A	292260	Retainer-Valve	42	494553	Keeper-Valve	45	262248	Tappet-Valve	146	94196	Key-Timing	741	691284	Gear-Timing	868	497656	Seal-Valve

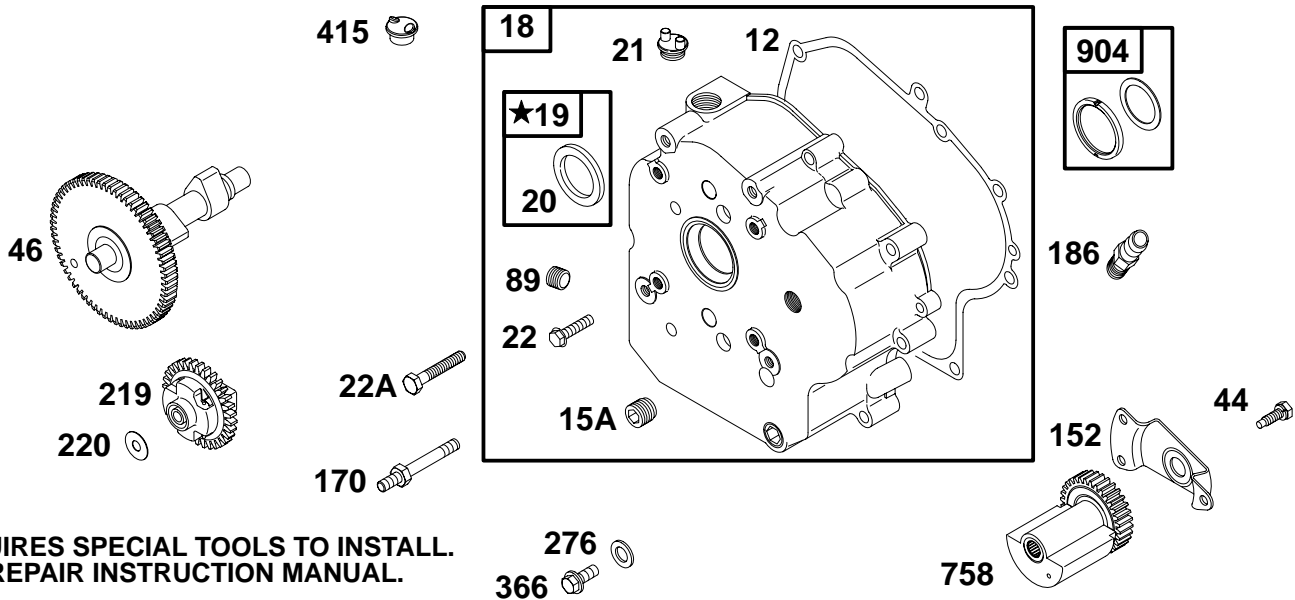
★ Included in Engine Gasket Set-Ref. No. 385.

● Included in Carburetor Overhaul Kit-Ref. No. 121.

◆ Included in Carburetor Gasket Set-Ref. No. 977.

∅ Included in Valve Gasket Set-Ref. No. 1095.

256400 to 256499



★ **REQUIRES SPECIAL TOOLS TO INSTALL. SEE REPAIR INSTRUCTION MANUAL.**

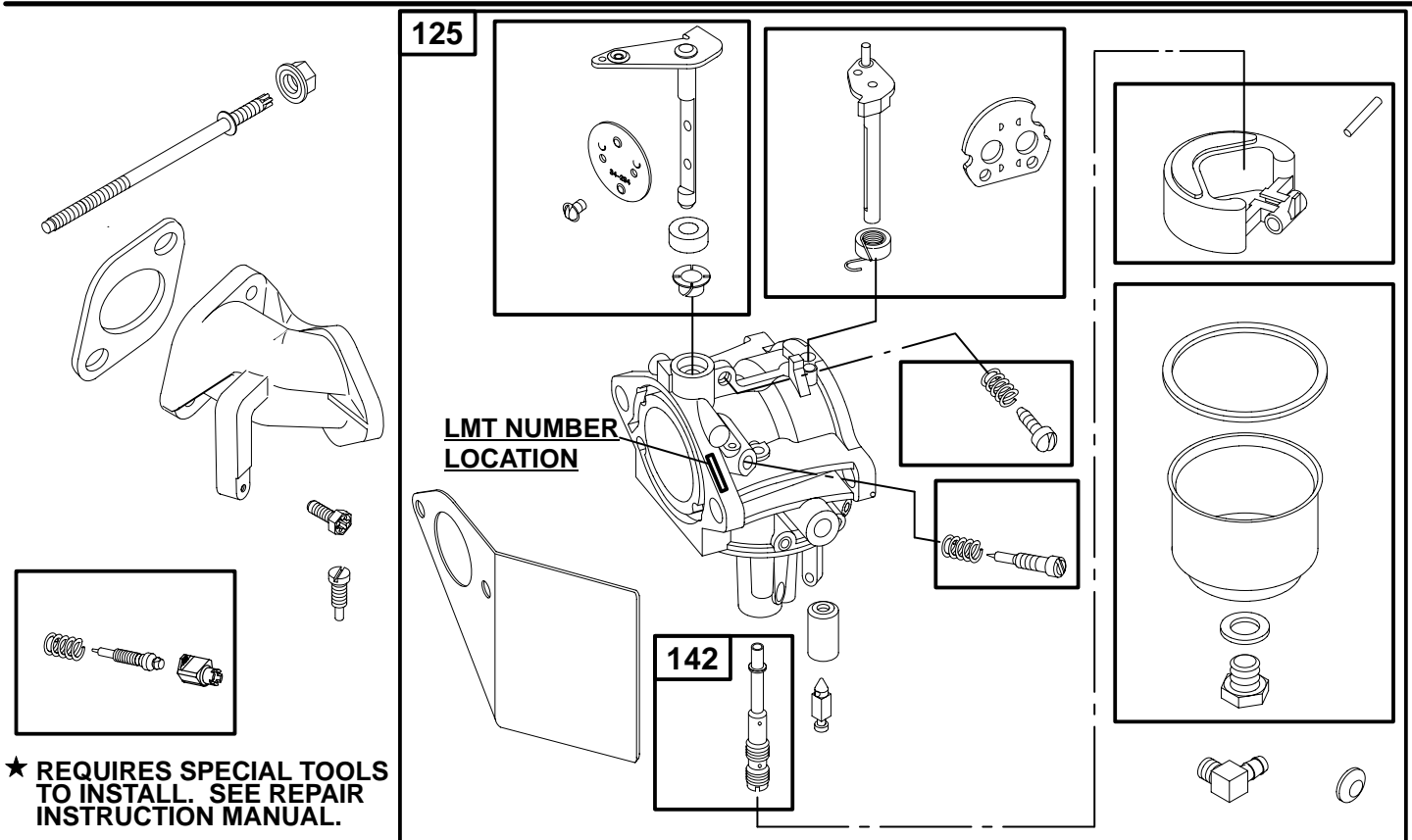
REF. NO.	PART NO.	DESCRIPTION	REF. NO.	PART NO.	DESCRIPTION	REF. NO.	PART NO.	DESCRIPTION
12	★272125	Gasket-Crankcase (.015" Thick, Standard)	19	399264	Kit-Bushing/Seal	170	94931	Stud (Crankcase Cover)
	Note		20	★291675	Seal-Oil (PTO Side)	186	691764	Connector-Hose
	★272219	Gasket-Crankcase (.005" Thick)	21	281658	Cap-Oil Fill	219	496786	Gear-Governor
	★272220	Gasket-Crankcase (.009" Thick)	22	93585	Screw (Crankcase Cover)	220	691724	Washer (Governor Gear)
15A	94880	Plug-Oil Drain	22A	694966	Screw (Crankcase Cover)	276	690258	Washer-Sealing
	Note		44	94621	Screw (Counterweight Retainer)	366	690304	Screw (Timing Hole Plug)
	94886	Plug-Oil Drain Used on Type No(s). 1049, 1050.	46	692123	Camshaft	415	693463	Plug
18	496985	Cover-Crankcase	89	94916	Plug-Oil	758	691369	Counterweight
	Note		152	691172	Retainer-Counterweight	904	492665	Bearing-Needle
	496986	Cover-Crankcase Used on Type No(s). 0070, 0132, 0133, 0134, 0140, 0143, 0174, 0635, 0695, 1070, 1072, 1101, 1121, 1130, 1133, 1134, 1135, 1137, 1138, 1140, 1154, 1161, 1162, 1174, 1195, 1196, 1201, 1204, 1205, 1206.						
	496977	Cover-Crankcase Used on Type No(s). 1049, 1050.						

★ Included in Engine Gasket Set-Ref. No. 385.

● Included in Carburetor Overhaul Kit-Ref. No. 121.

◆ Included in Carburetor Gasket Set-Ref. No. 977.

∅ Included in Valve Gasket Set-Ref. No. 1095.

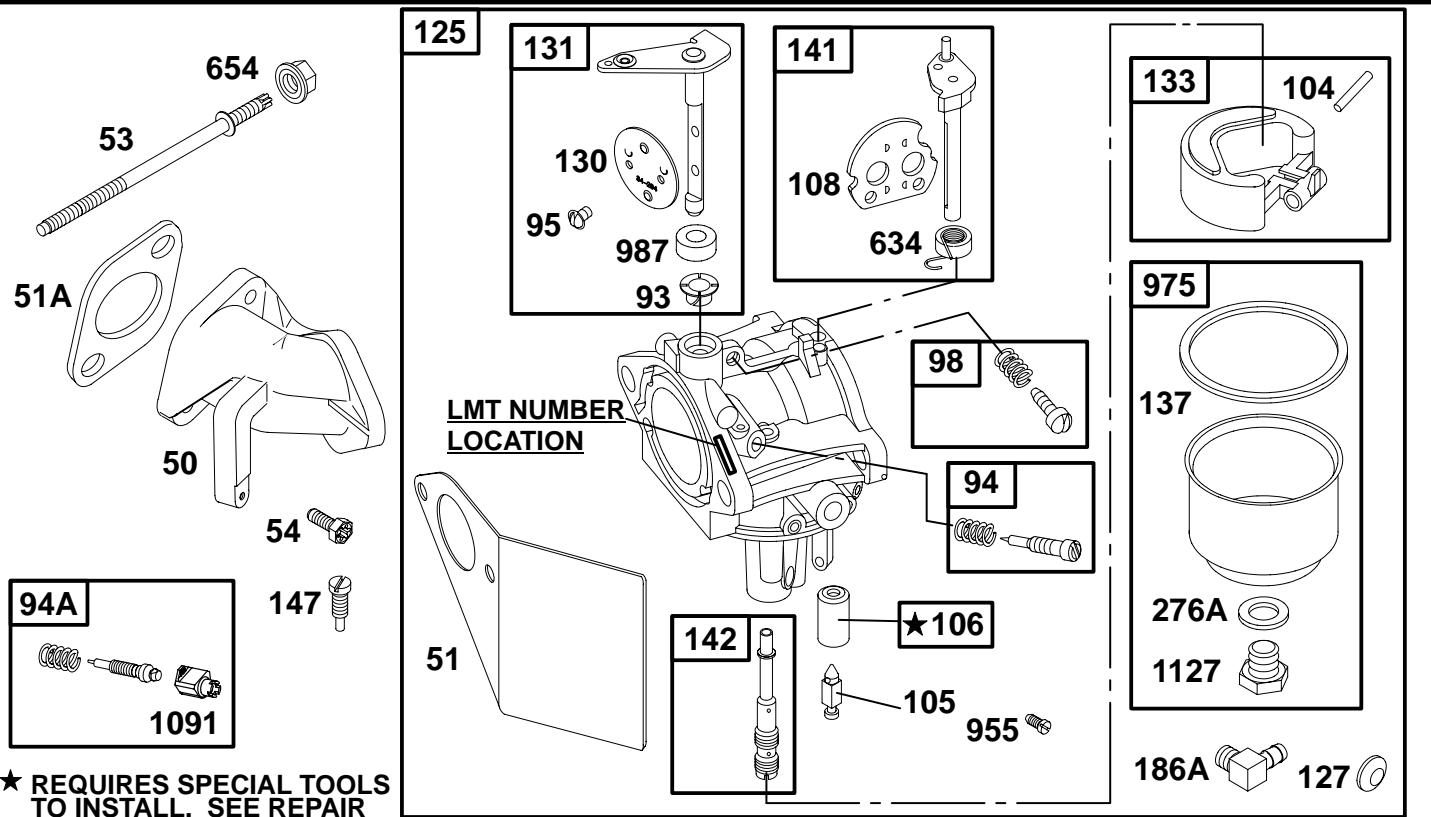


REF. NO.	PART NO.	DESCRIPTION	REF. NO.	PART NO.	DESCRIPTION	REF. NO.	PART NO.	DESCRIPTION
125	695501	Carburetor (LMT 101, 175, 176) (Used After Code Date 00030900). Note 690144 Carburetor (LMT 101, 175, 176) (Used Before Code Date 00030800). 695503 Carburetor Used on Type No(s) 1162. (Used After Code Date 00030900). Note 693356 Carburetor Used on Type No(s) 1162, 1201. (Used Before Code Date 00030800).	142	695835	Nozzle-Carburetor (Standard) (Used on LMT 101, 175, 176) (Used After Code Date 00030900). Note 499744 Nozzle-Carburetor (Standard) (Used on LMT 175) (Used Before Code Date 00030800). 497448 Nozzle-Carburetor (Standard) (Used on LMT 101) (Used Before Code Date 00030800). 690145 Nozzle-Carburetor (Standard) (Used on LMT 176) (Used Before Code Date 00030800).			695836 Nozzle-Carburetor (High Altitude) (Used on LMT 101, 175, 176) (Used After Code Date 00030900). Note 499826 Nozzle-Carburetor (High Altitude) (Used on LMT 175) (Used Before Code Date 00030800). 497449 Nozzle-Carburetor (High Altitude) (Used on LMT 101) (Used Before Code Date 00030800). 499744 Nozzle-Carburetor (High Altitude) (Used on LMT 176) (Used Before Code Date 00030800).

★ Included in Engine Gasket Set-Ref. No. 385.
 ● Included in Carburetor Overhaul Kit-Ref. No. 121.

◆ Included in Carburetor Gasket Set-Ref. No. 977.
 ∅ Included in Valve Gasket Set-Ref. No. 1095.

256400 to 256499



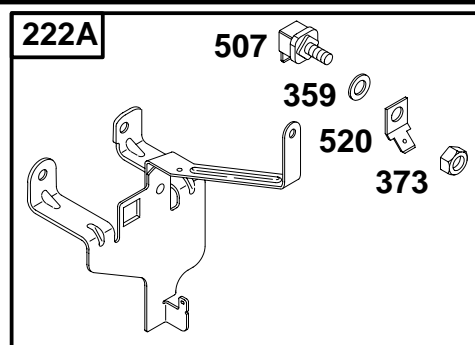
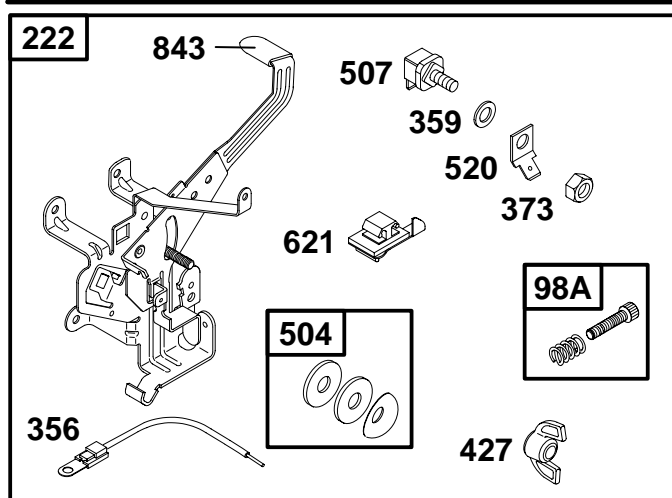
REF. NO.	PART NO.	DESCRIPTION	REF. NO.	PART NO.	DESCRIPTION	REF. NO.	PART NO.	DESCRIPTION
50	691157	Manifold-Intake	98	495800	Kit-Idle Speed	137	♦281165	Gasket-Float Bowl
51	♦272708	Gasket-Intake (Carburetor to Manifold)	104	♦690525	Pin-Float Hinge	141	497160	Kit-Choke Shaft
51A	∅★272707	Gasket-Intake (Manifold to Engine)	105	♦231935	Valve-Float Needle	142		Nozzle-Carburetor See Previous Page
53	94778	Stud (Carburetor)	106	♦231856	Seat-Inlet	147	♦497472	Jet-Pilot (Used on LMT 101)
54	94913	Screw (Intake Manifold)			Note	186A	493496	Connector-Hose
93	♦690602	Bushing-Throttle Shaft			231854 Seat-Inlet Used on Type No(s). 1162.	276A	♦281164	Washer-Sealing
94	496589	Kit-Idle Mixture (Used on LMT 175)	108	690467	Valve-Choke	634	♦690802	Spring/Seal Assembly
		Note	125		Carburetor	654	94010	Nut (Carburetor)
		494383 Kit-Idle Mixture (Used on LMT 101) Used on Type No(s). 1162, 1201.			See Previous Page	955	695659	Plug-Carburetor (Used After Code Date 00030800).
94A	498030	Kit-Idle Mixture	127	694524	Plug-Welch (Used After Code Date 00030800).			Note
95	♦94098	Screw (Throttle Valve)			♦695005 Plug-Welch (Used Before Code Date 00030900).	975	495933	Bowl-Float
			130	224539	Valve-Throttle	987	♦691326	Seal-Throttle Shaft
			131	497846	Kit-Throttle Shaft	1091	691333	Cap-Limiter (Used Before Code Date 00030900).
			133	494381	Float-Carburetor	1127	94642	Screw (Float Bowl)

★ Included in Engine Gasket Set-Ref. No. 385.

♦ Included in Carburetor Overhaul Kit-Ref. No. 121.

♦ Included in Carburetor Gasket Set-Ref. No. 977.

∅ Included in Valve Gasket Set-Ref. No. 1095.

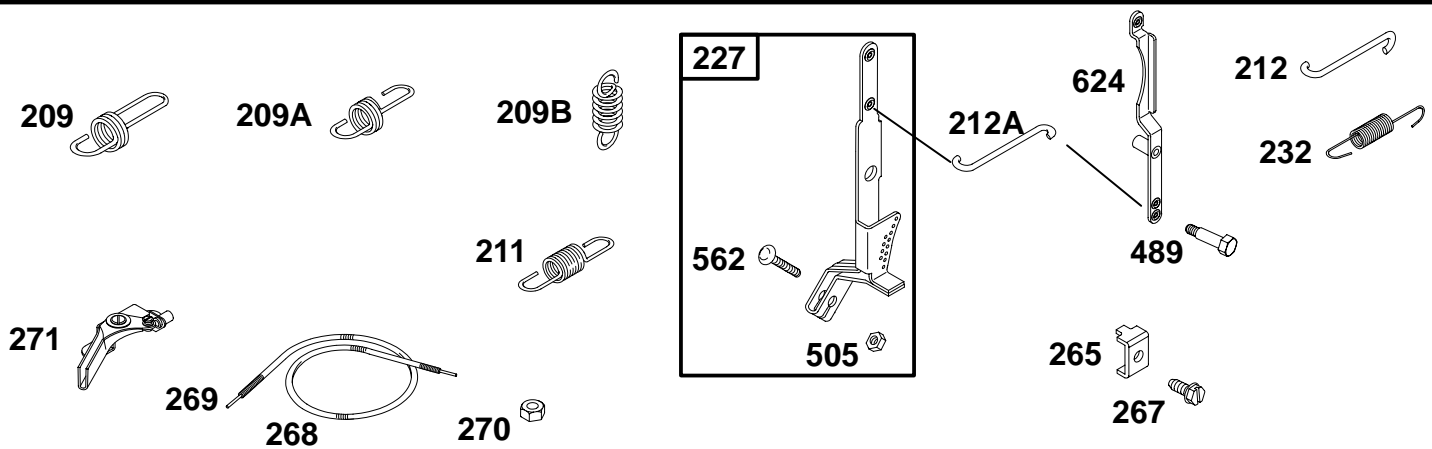


REF. NO.	PART NO.	DESCRIPTION	REF. NO.	PART NO.	DESCRIPTION	REF. NO.	PART NO.	DESCRIPTION
98A	493280	Kit-Idle Speed	222A	694183	Bracket-Control	356	691408	Wire-Stop
188	94929	Screw			Used on Type No(s). 1004, 1006, 1007, 1008, 1070, 1132, 1133, 1134, 1135, 1136, 1153, 1154, 1162, 1177, 1198, 1204.	359	691077	Washer (Ground Terminal)
222	691479	Bracket-Control (Used After Code Date 97042700).				373	90576	Nut (Ground Terminal)
		Note				427	690355	Nut (Control Bracket)
		691481 Bracket-Control (Used After Code Date 97042700).				504	495659	Washer Set-Friction
		Used on Type No(s). 0004, 0006, 0007, 0008, 0026, 0070, 0111, 0113, 0116, 0120, 0121, 0124, 0128, 0129, 0132, 0133, 0134, 0135, 0136, 0137, 0153, 0506, 0570, 0634, 0635, 0653, 1121, 1210.				507	398525	Insulator
		499723 Bracket-Control (Used Before Code Date 97042800).				520	691084	Terminal-Ground
		Used on Type No(s). 0101, 0130, 0143, 0601.				621	396847	Switch-Stop
						843	691322	Sleeve-Lever

★ Included in Engine Gasket Set-Ref. No. 385.
● Included in Carburetor Overhaul Kit-Ref. No. 121.

◆ Included in Carburetor Gasket Set-Ref. No. 977.
∅ Included in Valve Gasket Set-Ref. No. 1095.

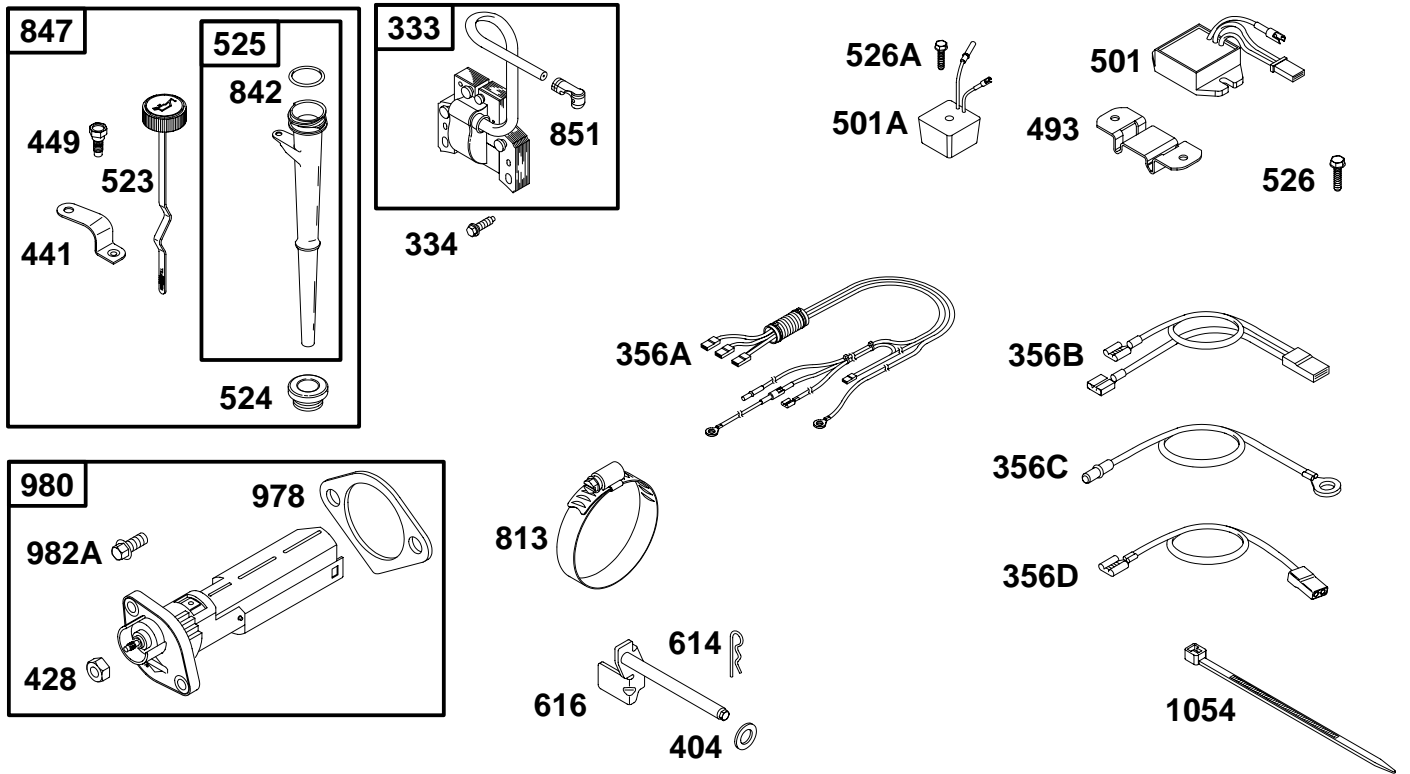
256400 to 256499



REF. NO.	PART NO.	DESCRIPTION	REF. NO.	PART NO.	DESCRIPTION	REF. NO.	PART NO.	DESCRIPTION
209	692905	Spring—Governor (Used After Code Date 97042700). Note 692910 Spring—Governor (Used After Code Date 97042700). Used on Type No(s). 0012, 0015, 0020, 0025, 0027, 0028, 0101, 0115, 0130, 0139, 0140, 0143, 0156, 0173, 0512, 0515, 0525, 0527, 0528, 0601, 0660, 0661, 0695, 0696, 1012, 1015, 1020, 1025, 1027, 1028, 1029, 1049, 1050, 1072, 1101, 1121, 1130, 1137, 1138, 1139, 1140, 1156, 1161, 1174, 1195, 1196, 1205, 1210.	209A	263055	Spring—Governor (Used Before Code Date 97042800).	268	65616	Casing—Control Wire (Cut to Required Length)
			209B	260723	Spring—Governor Used on Type No(s). 0121.	269	26633	Wire—Control (Cut to Required Length)
			211	692912	Spring—Governed Idle (Used After Code Date 97042700).	270	63426	Nut (Control Wire Casing)
			212	263049	Link—Throttle (Upper)	271	290568	Lever—Control (Control Bracket)
			212A	691294	Link—Throttle (Lower)	489	231520	Screw (Linkage Lever)
			227	692143	Lever—Governor Note 496254 Lever—Governor (Used Before Code Date 97042800).	505	231082	Nut (Governor Control Lever)
			232	263020	Spring—Governor Link	562	92613	Bolt (Governor Control Lever)
			265	221535	Clamp—Casing	624	691415	Lever—Linkage
			267	94906	Screw (Casing Clamp)			

★ Included in Engine Gasket Set—Ref. No. 385.
● Included in Carburetor Overhaul Kit—Ref. No. 121.

◆ Included in Carburetor Gasket Set—Ref. No. 977.
∅ Included in Valve Gasket Set—Ref. No. 1095.



REF. NO.	PART NO.	DESCRIPTION	REF. NO.	PART NO.	DESCRIPTION	REF. NO.	PART NO.	DESCRIPTION
333	398811	Armature-Magneto	404	94927	Washer (Governor Crank)	526	690297	Screw (Regulator) (5/8" Length)
334	691061	Screw (Magneto Armature)	428	90576	Nut (OIL GARD® Kit)	526A	690326	Screw (Regulator) (1 1/4" Length)
356A	691403	Wire-Stop Note _____ 691402 Wire-Stop Used on Type No(s). 0012, 0015, 0020, 0025, 0026, 0027, 0028, 0111, 0113, 0115, 0121, 0135, 0139, 0140, 0156, 0173, 0512, 0515, 0525, 0527, 0528, 0635, 0660, 0661, 0695, 0696, 1012, 1015, 1020, 1025, 1027, 1028, 1029, 1049, 1050, 1121, 1135, 1140, 1156, 1161, 1195, 1205, 1210.	441	691217	Bracket-Oil Fill Note _____ 691218 Bracket-Oil Fill Used on Type No(s). 1049, 1050.	614	93306	Pin-Cotter
356B	491391	Wire-Stop	449	691130	Screw (Oil Fill Bracket)	616	691407	Crank-Governor
356C	692149	Wire-Stop	493	691177	Bracket-Mounting	813	690635	Clamp
356D	491927	Wire-Stop Used on Type No(s). 1139.	501	394890	Regulator (16 Amp)	842	★270920	O-Ring Seal
			501A	491546	Regulator (9 Amp)	847	497459	Dipstick/Tube Assembly Note _____ 497458 Dipstick/Tube Assembly Used on Type No(s). 1049, 1050.
			523	497213	Dipstick Note _____ 497214 Dipstick Used on Type No(s). 1049, 1050.	851	493880	Terminal-Sparkplug
			524	★281370	Seal-Dipstick Tube	978	★273326	Gasket-Oil Gard®
			525	691389	Tube-Dipstick	980	496605	Kit-Oil Gard®
						982A	690350	Screw (OIL GARD® Kit)
						1054	280275	Tie-Cable

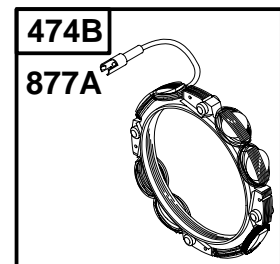
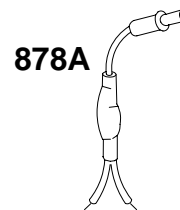
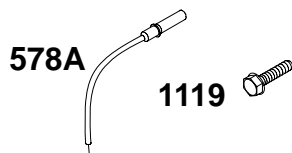
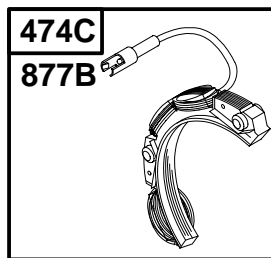
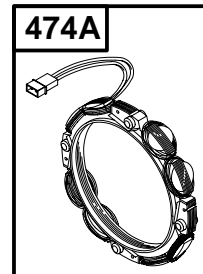
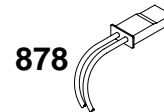
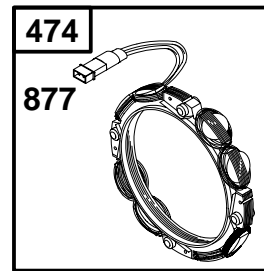
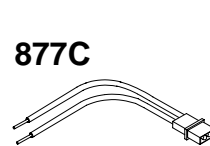
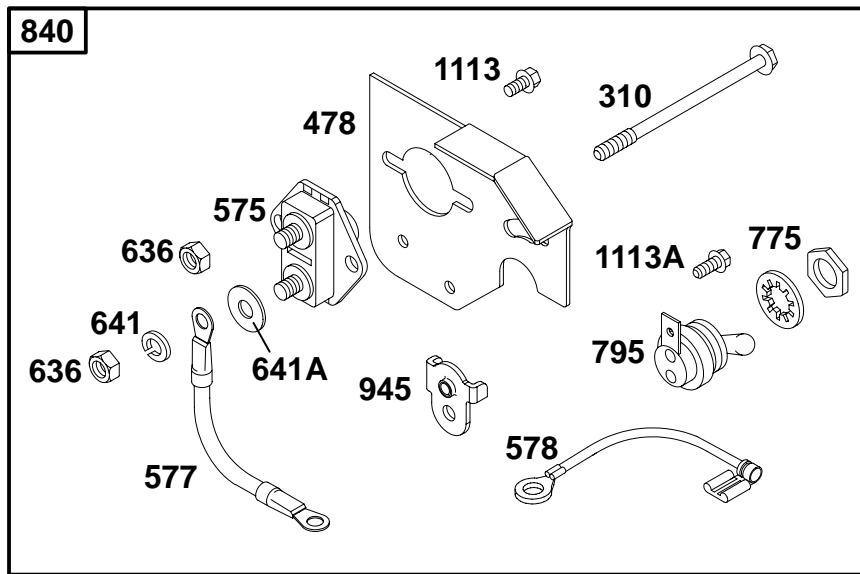
★ Included in Engine Gasket Set-Ref. No. 385.

● Included in Carburetor Overhaul Kit-Ref. No. 121.

◆ Included in Carburetor Gasket Set-Ref. No. 977.

∅ Included in Valve Gasket Set-Ref. No. 1095.

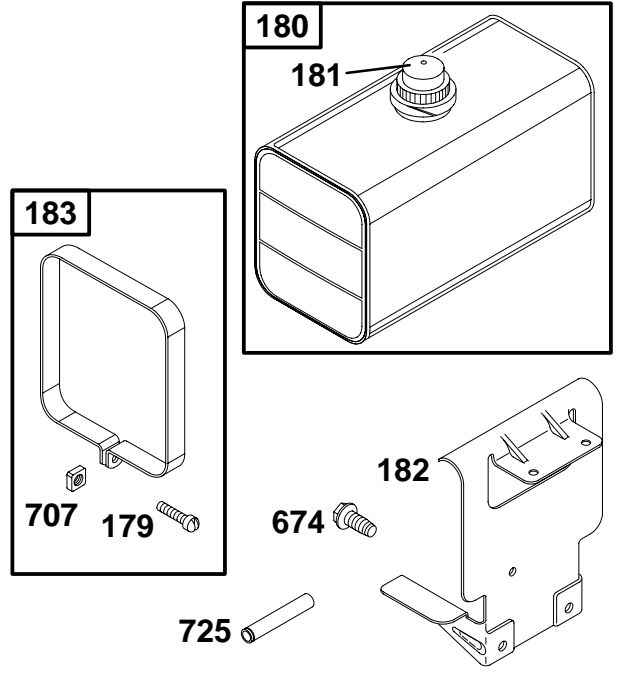
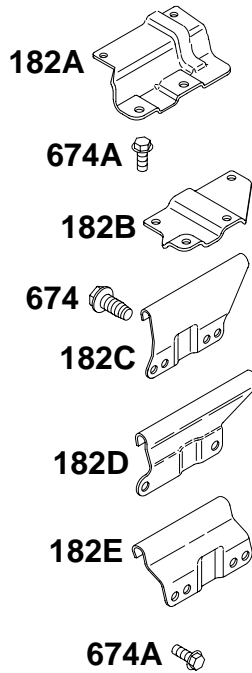
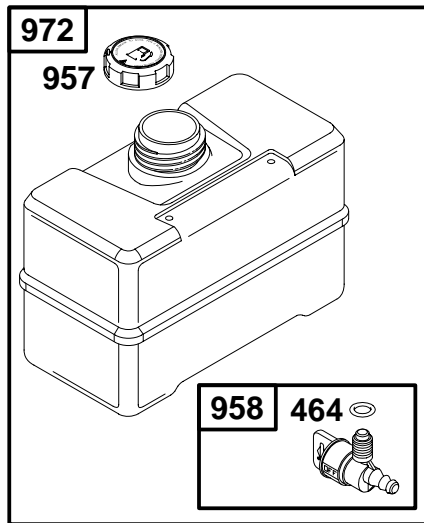
256400 to 256499



REF. NO.	PART NO.	DESCRIPTION	REF. NO.	PART NO.	DESCRIPTION	REF. NO.	PART NO.	DESCRIPTION
310	690323	Bolt (Starter Motor, 3 5/8" Housing Length)	578A	392606	Harness-Alternator	877	393456	Wire/Connector-Alternator
		Note	636	92278	Nut (Starting Switch)	877A	393537	Wire/Connector-Alternator
		691263 Bolt (Starter Motor, 4 3/8" Housing Length)	641	691075	Washer (Starting Switch) (Lock Washer)	877B	393814	Wire/Connector-Alternator
474	393474	Alternator	641A	690282	Washer (Starting Switch) (Flat Washer)	877C	399916	Wire/Connector-Alternator
474A	393295	Alternator	775	690315	Nut (Toggle Switch)	878	393362	Harness-Alternator
474B	392595	Alternator	795	496590	Switch-Toggle	878A	393422	Harness-Alternator
474C	391529	Alternator	840	395408	Kit-Panel	945	223159	Bracket-Starter Motor
478	395410	Panel				1113	93415	Screw (Panel)
575	299139	Switch-Starting				1113A	94929	Screw (Panel)
577	690630	Cable-Starter				1119	93621	Screw (Alternator)
578	690647	Wire Assembly (Starter Switch to Ground Wire Terminal)						

★ Included in Engine Gasket Set-Ref. No. 385.
● Included in Carburetor Overhaul Kit-Ref. No. 121.

◆ Included in Carburetor Gasket Set-Ref. No. 977.
⊘ Included in Valve Gasket Set-Ref. No. 1095.

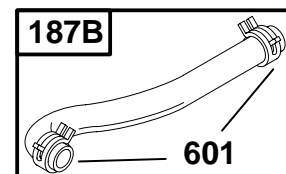
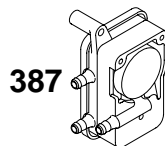
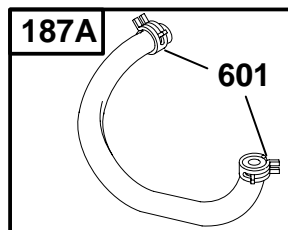
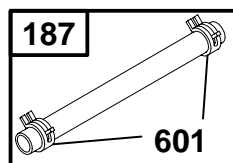
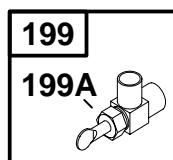


REF. NO.	PART NO.	DESCRIPTION	REF. NO.	PART NO.	DESCRIPTION	REF. NO.	PART NO.	DESCRIPTION
179	690280	Screw (Fuel Tank Strap)	182C	492990	Bracket–Fuel Tank (Bottom) Used on Type No(s). 0140, 1140.	674	94627	Screw (Fuel Tank Bracket)
180	291488	Tank–Fuel (Metal)	182D	690487	Bracket–Fuel Tank (Bottom) Used on Type No(s). 1101, 1130, 1137, 1138.	674A	94095	Screw (Fuel Tank Bracket)
181	392305	Cap–Fuel Tank	182E	694592	Bracket–Fuel Tank (Bottom) Used on Type No(s). 0515, 1006, 1008, 1012, 1015, 1020, 1029, 1049, 1050, 1070, 1072, 1139, 1154, 1161, 1174, 1195, 1196, 1203, 1205, 1210.	707	690279	Nut (Fuel Tank Strap)
182	691200	Bracket–Fuel Tank (Metal Fuel Tank)				725	690403	Shield–Heat
182A	695726	Bracket–Fuel Tank (Top) Used on Type No(s). 0515, 1006, 1008, 1012, 1015, 1020, 1029, 1049, 1050, 1070, 1072, 1139, 1154, 1161, 1174, 1195, 1196, 1203, 1205, 1210.	183	291490	Fuel Tank Strap	957	493988	Cap–Fuel Tank
182B	691199	Bracket–Fuel Tank (Top) Used on Type No(s). 1101, 1130, 1137, 1138, 1140.	464	280203	O-Ring Seal (Fuel Shut Off Valve)	958	399517	Valve–Fuel Shut-Off
						972	493337	Tank–Fuel (Plastic)
								Note 695164 Tank–Fuel (Plastic) Used on Type No(s). 1174, 1195, 1205.

★ Included in Engine Gasket Set–Ref. No. 385.
● Included in Carburetor Overhaul Kit–Ref. No. 121.

◆ Included in Carburetor Gasket Set–Ref. No. 977.
⊘ Included in Valve Gasket Set–Ref. No. 1095.

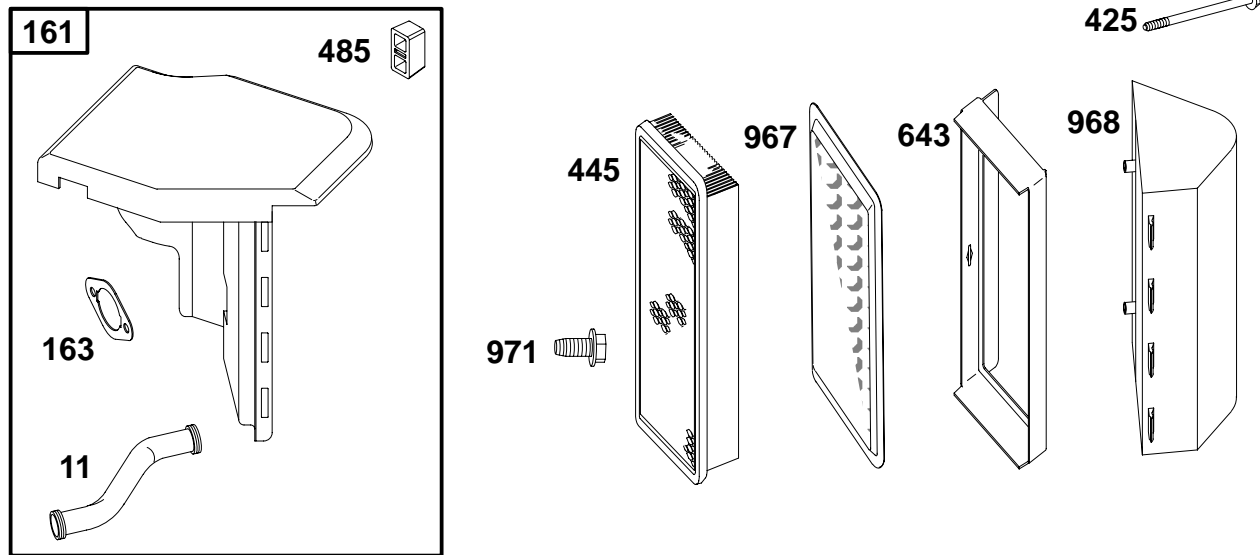
256400 to 256499



REF. NO.	PART NO.	DESCRIPTION	REF. NO.	PART NO.	DESCRIPTION	REF. NO.	PART NO.	DESCRIPTION
186	230318	Connector-Hose	199	297563	Valve-Fuel Shut Off	240A	493629	Filter-Fuel
187	296004	Line-Fuel (Cut to Required Length)	199A	293934	Valve-Fuel Shut Off	385	94789	Screw (Fuel Pump)
187A	497029	Line-Fuel (Molded)	240	394358	Filter-Fuel	387	496257	Pump-Fuel
187B	691049	Line-Fuel	Note			601	95162	Clamp-Hose
					298090 Filter-Fuel Used on Type No(s). 1201.	917	223271	Handle-Shut-Off Valve

★ Included in Engine Gasket Set-Ref. No. 385.
● Included in Carburetor Overhaul Kit-Ref. No. 121.

◆ Included in Carburetor Gasket Set-Ref. No. 977.
∅ Included in Valve Gasket Set-Ref. No. 1095.

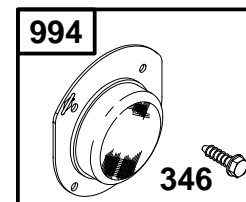
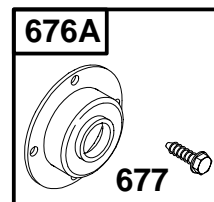
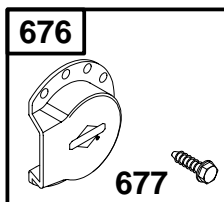
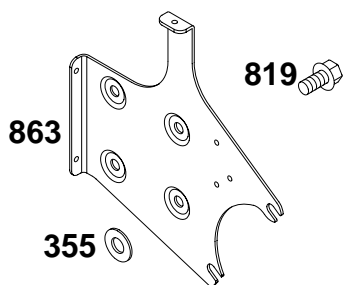
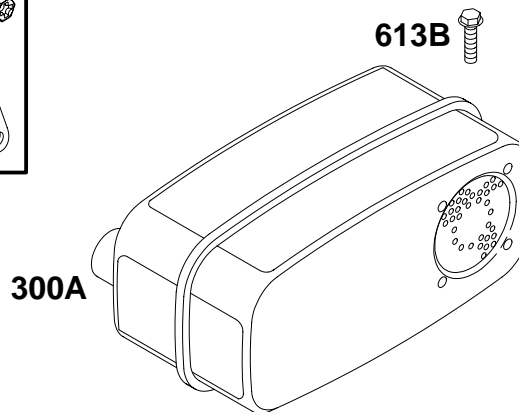
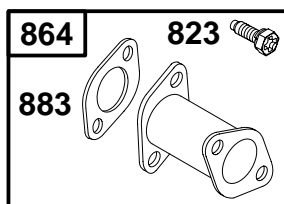
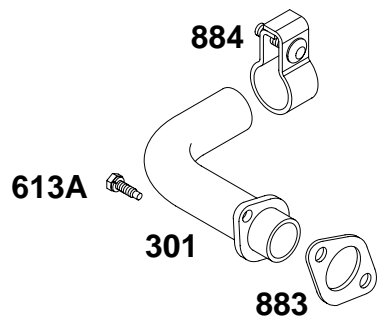
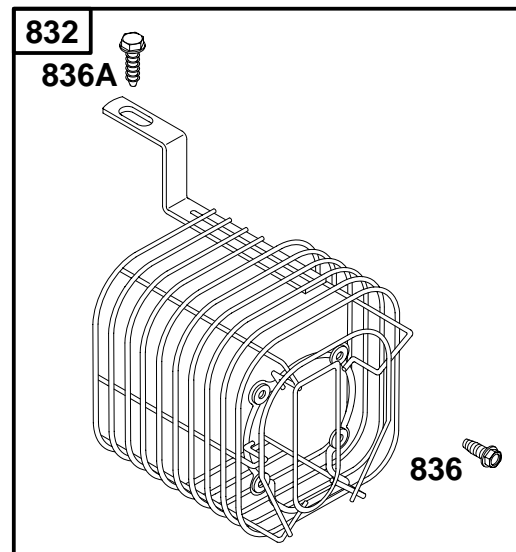
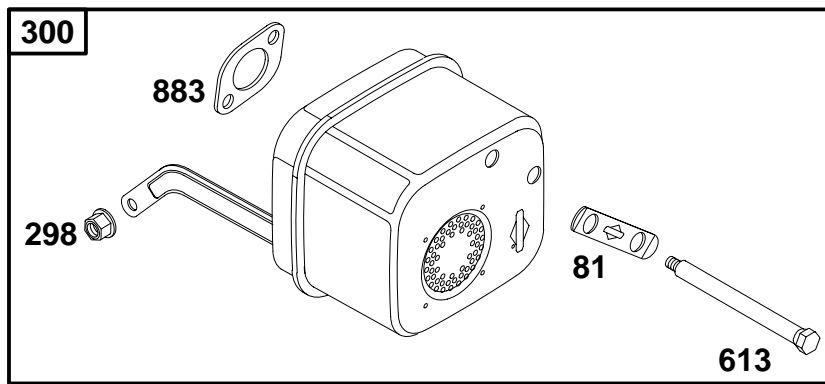


REF. NO.	PART NO.	DESCRIPTION	REF. NO.	PART NO.	DESCRIPTION	REF. NO.	PART NO.	DESCRIPTION
11	280819	Tube-Breather (Used After Code Date 95010100). Note 281426 Tube-Breather (Used Before Code Date 95010200).	161	497669	Base-Air Cleaner (Used After Code Date 95010100). Note 498544 Base-Air Cleaner (Used Before Code Date 95010200).	425	94777	Screw (Air Cleaner Cover)
			163	Ø*273101	Gasket-Air Cleaner	445	496077	Filter-Air Cleaner Cartridge
						485	280715	Knob-Control
						643	281358	Retainer-Air Filter
						967	492889	Filter-Pre Cleaner
						968	281357	Cover-Air Cleaner
						971	94930	Screw (Air Cleaner Base)

★ Included in Engine Gasket Set-Ref. No. 385.
● Included in Carburetor Overhaul Kit-Ref. No. 121.

◆ Included in Carburetor Gasket Set-Ref. No. 977.
Ø Included in Valve Gasket Set-Ref. No. 1095.

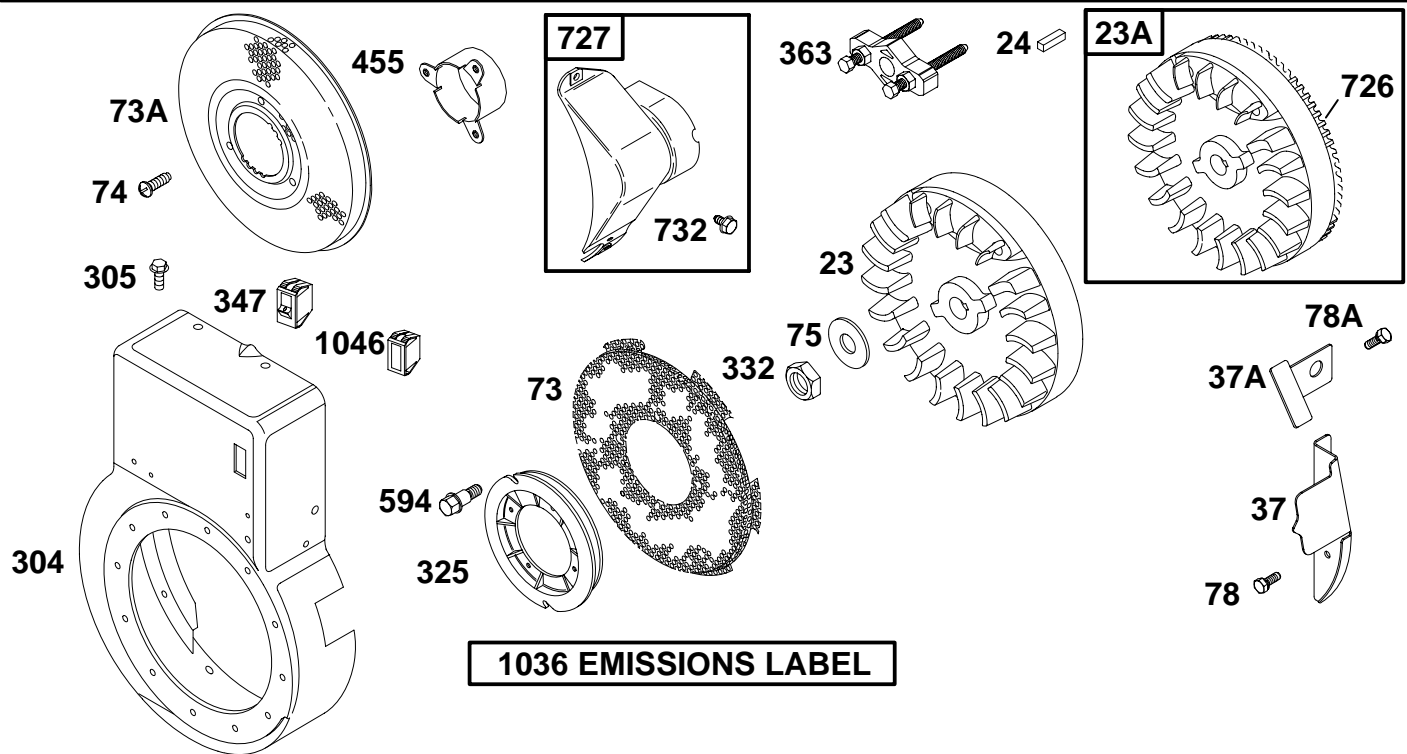
256400 to 256499



REF. NO.	PART NO.	DESCRIPTION	REF. NO.	PART NO.	DESCRIPTION	REF. NO.	PART NO.	DESCRIPTION
81	691178	Lock-Muffler Screw			(Exhaust Muffler)	836	690367	Screw (Muffler Guard) (9/16" Length)
298	691105	Locknut-Muffler/Elbow	613B	690297	Screw (Exhaust Muffler)	836A	94786	Screw (Muffler Guard) (7/16" Length)
300	497470	Muffler	676	393761	Deflector-Muffler	863	692865	Bracket-Muffler
300A	498984	Muffler	676A	396903	Deflector-Muffler	864	497469	Adapter-Muffler
301	692956	Pipe-Exhaust	677	94896	Screw (Muffler Deflector)	883	Ø*272293	Gasket-Exhaust
346	94896	Screw (Spark Arrester)	819	94786	Screw (Muffler Bracket)	884	392649	Clamp-Muffler
355	690310	Washer (Muffler Bracket)	823	690363	Screw (Muffler Adapter)	994	392390	Arrester-Spark
613	93927	Screw (Exhaust Muffler)	832	691404	Guard-Muffler			
613A	94627	Screw						

★ Included in Engine Gasket Set-Ref. No. 385.
 ● Included in Carburetor Overhaul Kit-Ref. No. 121.

◆ Included in Carburetor Gasket Set-Ref. No. 977.
 Ø Included in Valve Gasket Set-Ref. No. 1095.

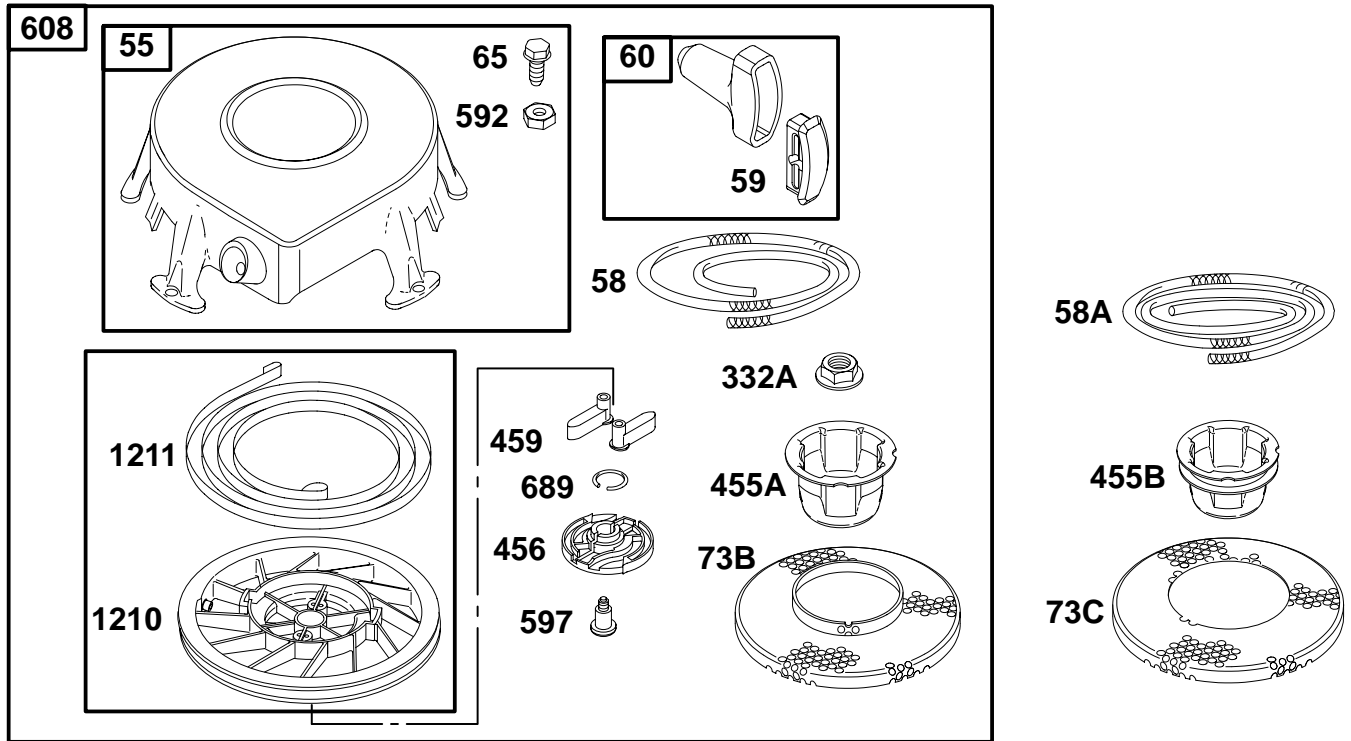


REF. NO.	PART NO.	DESCRIPTION	REF. NO.	PART NO.	DESCRIPTION	REF. NO.	PART NO.	DESCRIPTION
23	690672	Flywheel	304	497474	Housing-Blower (Red)	1036	695698	Label-Emissions (Used After Code Date 00062300).
23A	498911	Flywheel (Used After Code Date 96062300).			Note			Note
		Note			497591 Housing-Blower (Black)			695102 Label-Emissions (Used Before Code Date 00070100 and After Code Date 99093000).
		692048 Flywheel (Used Before Code Date 96062400).	305	94786	Screw (Blower Housing)			694324 Label-Emissions (Used Before Code Date 99100100 and After Code Date 98123100).
		691470 Flywheel Used on Type No(s). 0008, 0020, 0174, 1008, 1020, 1204, 1206.	325	280457	Pulley-Rope Starter			499360 Label-Emissions (Used Before Code Date 99010100 and After Code Date 97052500).
24	222698	Key-Flywheel	332	94877	Nut (Flywheel)			499359 Label-Emissions (Used Before Code Date 97052600).
37	690490	Guard-Flywheel	347	495098	Switch-Rocker	1046	691337	Plug-Blower Housing Used on Type No(s). 1139.
37A	690488	Guard-Flywheel	363	19203	Flywheel Puller			
73	224874	Screen-Rotating	455	691173	Cup-Flywheel			
73A	224517	Screen-Rotating	594	94928	Screw (Rope Starter Pulley)			
74	94626	Screw (Rotating Screen)	726	399676	Gear-Ring			
75	690582	Washer (Flywheel)	727	395405	Cover-Starter Drive			
78	690364	Screw (Flywheel Guard)	732	691097	Screw (Starter Drive Cover)			
78A	94627	Screw (Flywheel Guard)						

★ Included in Engine Gasket Set-Ref. No. 385.
 ● Included in Carburetor Overhaul Kit-Ref. No. 121.

◆ Included in Carburetor Gasket Set-Ref. No. 977.
 ∅ Included in Valve Gasket Set-Ref. No. 1095.

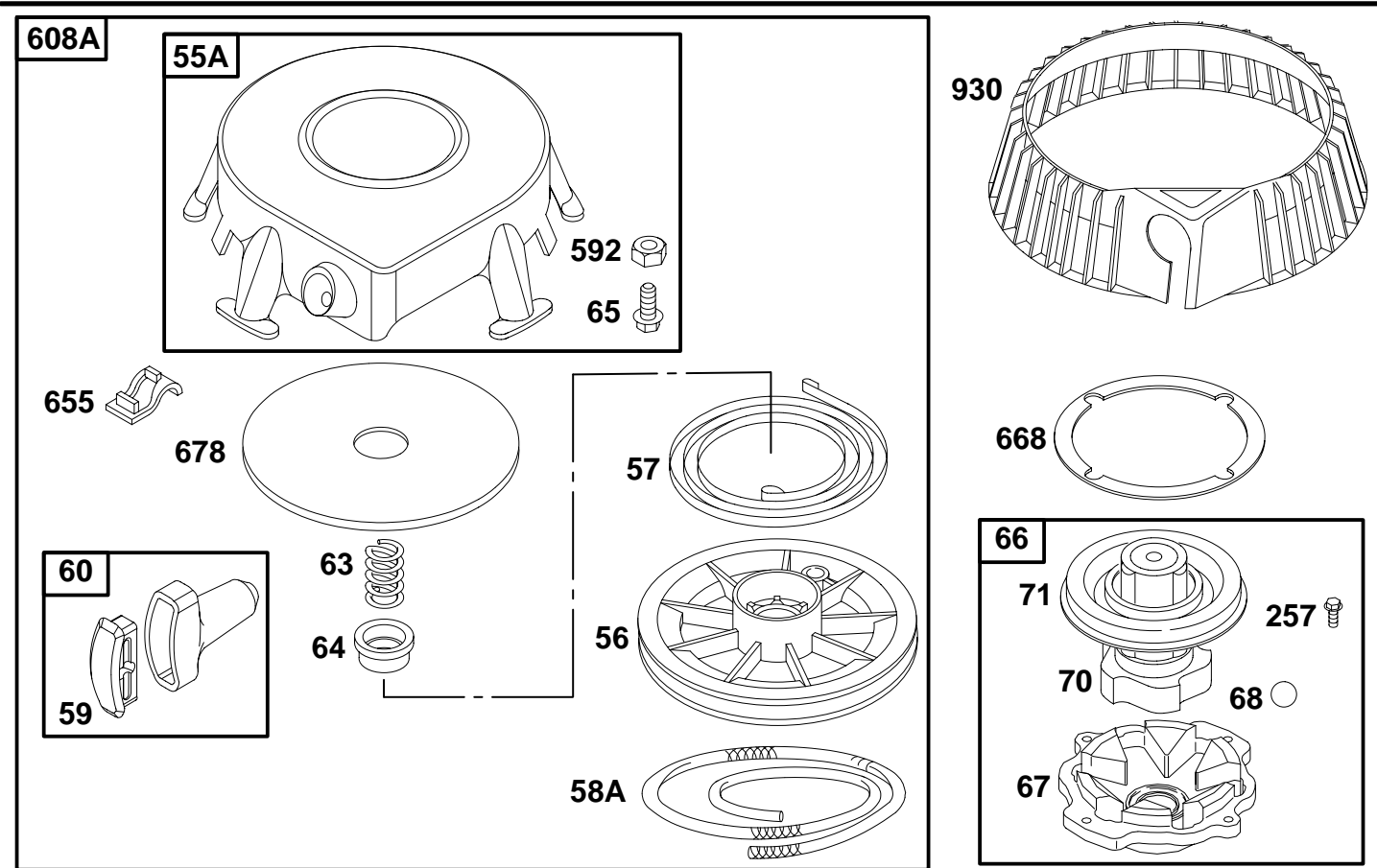
256400 to 256499



REF. NO.	PART NO.	DESCRIPTION	REF. NO.	PART NO.	DESCRIPTION	REF. NO.	PART NO.	DESCRIPTION
55	693904	Housing-Rewind Starter (Used After Code Date 98111500).	332A	693899	Nut (Flywheel)	689	263073	Spring-Friction
58	66884	Rope-Starter (63" Length)	455A	693902	Cup-Flywheel	1210	498144	Pulley/Spring Assembly (Pulley)
58A	66894	Rope-Starter (99" Length)	455B	694017	Cup-Flywheel (Used with 99" Rope)			(Used After Code Date 98111500).
59	490653	Insert-Grip	456	281503	Plate-Pawl Friction	1211	498144	Pulley/Spring Assembly (Spring)
60	490652	Grip-Starter Rope	459	281505	Pawl-Ratchet			(Used After Code Date 98111500).
65	94904	Screw (Rewind Starter)	592	94908	Nut (Starter Rewind)			
73B	693905	Screen-Rotating	597	94943	Screw (Pawl Friction Plate)			
73C	694020	Screen-Rotating (Used with 99" Rope)	608	693900	Starter-Rewind (63" Length Rope) (Used After Code Date 98111500).			

★ Included in Engine Gasket Set-Ref. No. 385.
● Included in Carburetor Overhaul Kit-Ref. No. 121.

◆ Included in Carburetor Gasket Set-Ref. No. 977.
∅ Included in Valve Gasket Set-Ref. No. 1095.



REF. NO.	PART NO.	DESCRIPTION	REF. NO.	PART NO.	DESCRIPTION	REF. NO.	PART NO.	DESCRIPTION
55A	393576	Housing-Rewind Starter (Used Before Code Date 98111600).	60	490652	Grip-Starter Rope	71	691359	Cover-Ratchet
			63	260414	Spring-Ratchet	257	94680	Screw (Starter Clutch)
			64	281204	Adapter-Ratchet Spring	592	94908	Nut (Rewind Starter Housing)
56	295871	Pulley-Starter (Used Before Code Date 98111600).	65	94904	Screw (Rewind Starter Housing)	608A	390391	Starter-Rewind (Used Before Code Date 98111600).
57	490179	Spring-Rewind Starter (Used Before Code Date 98111600).	66	399671	Clutch-Starter (Used Before Code Date 99030100).	655	222598	Anchor-Rewind Spring
58A	66894	Rope-Starter (99" Length)	67	394897	Housing-Clutch	668	690500	Spacer
59	490653	Insert-Grip	68	63770	Ball-Clutch	678	490817	Spacer-Rewind
			70	298799	Ratchet-Clutch	930	280685	Guard-Rewind

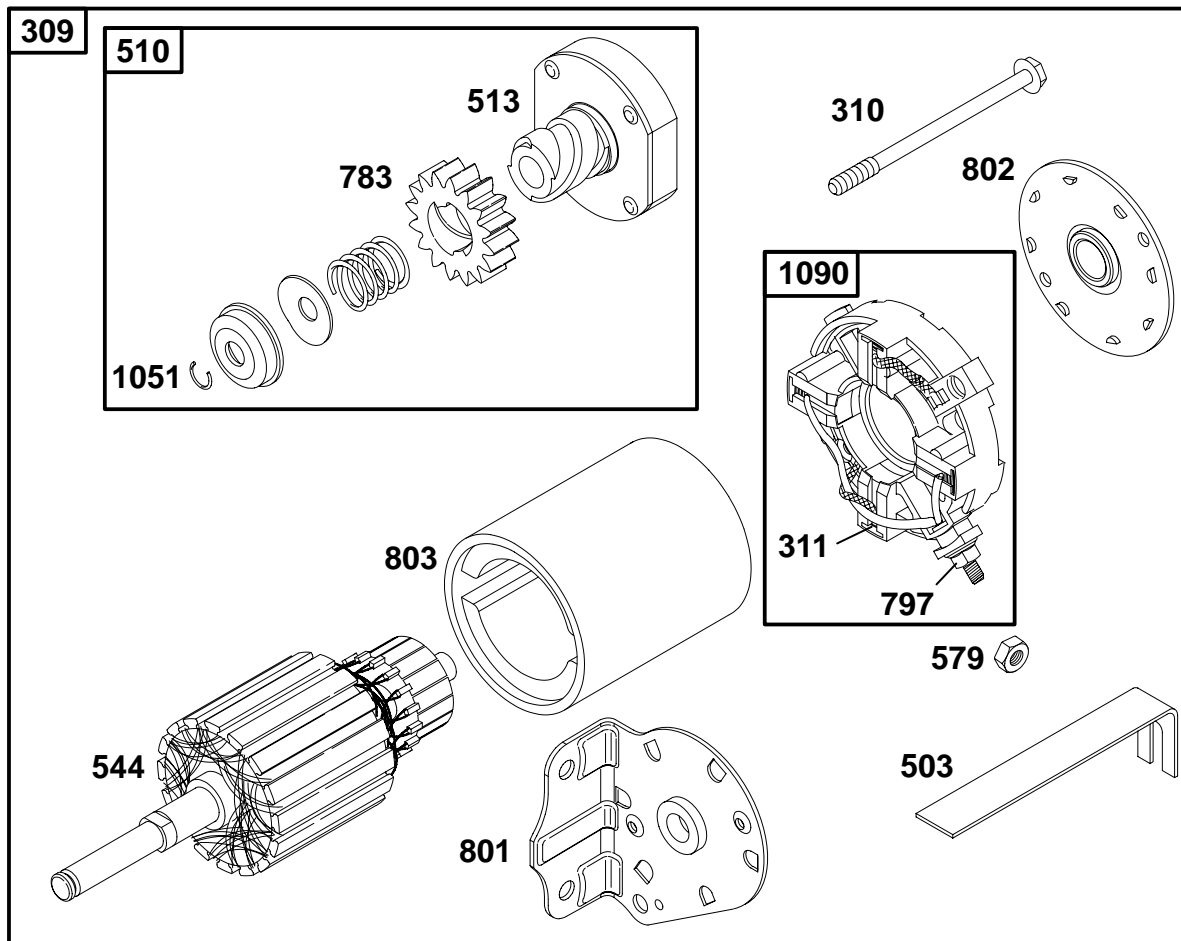
★ Included in Engine Gasket Set-Ref. No. 385.

● Included in Carburetor Overhaul Kit-Ref. No. 121.

◆ Included in Carburetor Gasket Set-Ref. No. 977.

∅ Included in Valve Gasket Set-Ref. No. 1095.

256400 to 256499



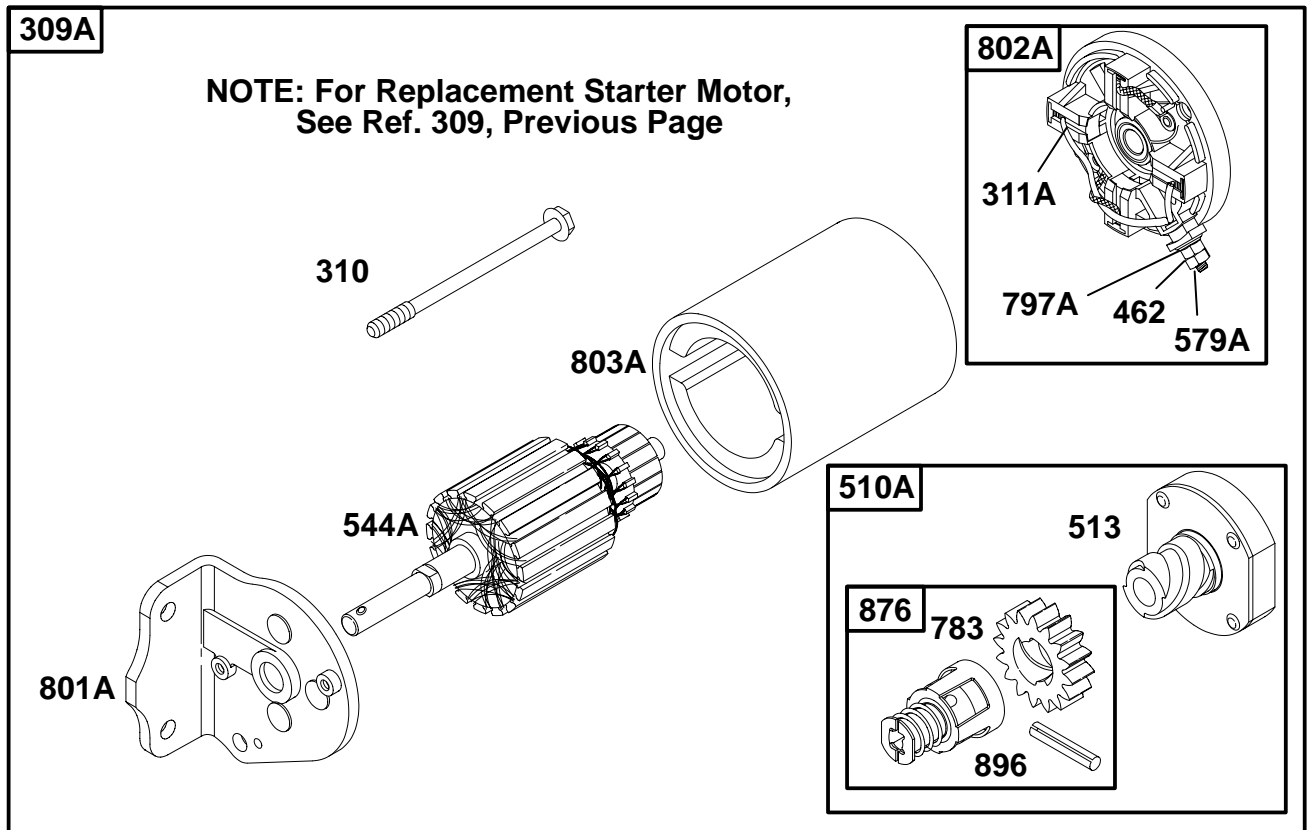
REF. NO.	PART NO.	DESCRIPTION	REF. NO.	PART NO.	DESCRIPTION	REF. NO.	PART NO.	DESCRIPTION
309	693054	Motor-Starter (3 5/8" Housing Length)	311	497608	Brush Set	783	693059	Gear-Pinion
		Note		503	691532		Strap-Starter	797
		499521 Motor-Starter (4 3/8" Housing Length)	510	497606	Drive-Starter	801	691283	Cap-Drive
310	690323	Bolt (Starter Motor, 3 5/8" Housing Length)	513	398003	Clutch-Drive	802	691429	Cap-End
			544	497603	Armature-Starter (3 5/8" Housing Length)	803	693757	Housing-Starter (3 5/8" Housing Length)
		Note	579	92278	Nut (Starter Cable)	1051	263080	Ring-Retaining
		691263 Bolt (Starter Motor, 4 3/8" Housing Length)	697	690372	Screw (Drive Cap)	1090	497605	Retainer-Brush

★ Included in Engine Gasket Set-Ref. No. 385.

● Included in Carburetor Overhaul Kit-Ref. No. 121.

◆ Included in Carburetor Gasket Set-Ref. No. 977.

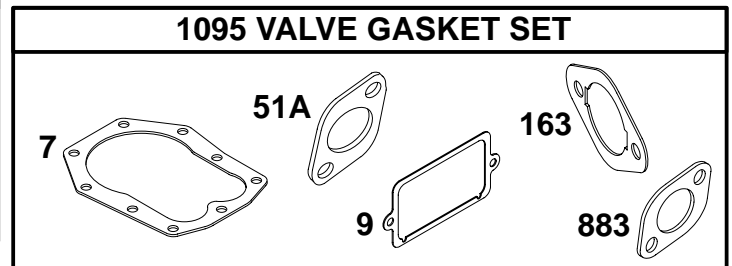
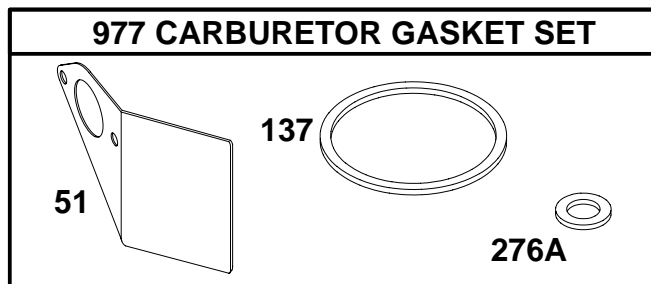
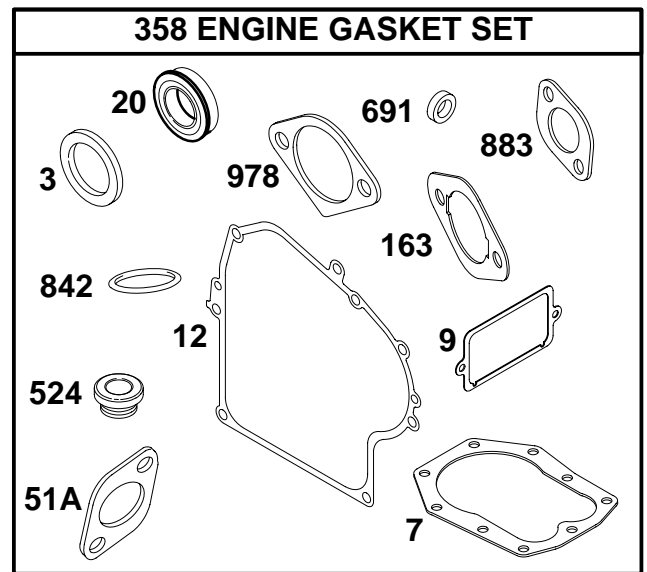
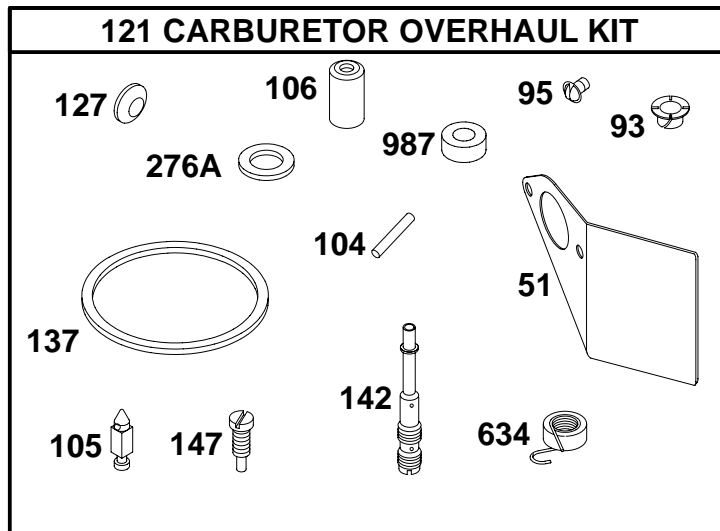
∅ Included in Valve Gasket Set-Ref. No. 1095.



REF. NO.	PART NO.	DESCRIPTION	REF. NO.	PART NO.	DESCRIPTION	REF. NO.	PART NO.	DESCRIPTION
309A		Motor-Starter For Replacement Starter Motor, See Ref 309, Previous Page.	513	398003	Clutch-Drive	802A	395537	Cap-End (For 3 5/8" Housing Length)
310	690323	Bolt (Starter Motor, 3 5/8" Housing Length)	544A	390837	Armature-Starter (For 3 5/8" Housing Length)			Note _____ 494988 Cap-End (For 4 3/8" Housing Length)
		Note _____ 691263 Bolt (Starter Motor, 4 3/8" Housing Length)			490309 Armature- Starter (For 4 3/8" Housing Length)	803A	398159	Housing-Starter (For 3 5/8" Housing Length)
311A	395538	Brush Set (For 3 5/8" and 4 3/8" Housing Lengths)	579A	93715	Nut (Starter Cable)			Note _____ 494205 Housing- Starter (For 4 3/8" Housing Length)
462	690288	Washer (Starter Cable)	697A	94627	Screw (Drive Cap)			
510A	495878	Drive-Starter	783	693059	Gear-Pinion	876	495877	Kit-Pinion Spring
			797A	94010	Nut (Brush Retainer)	896	94288	Pin-Drive Retainer
			801A	394856	Cap-Drive			

★ Included in Engine Gasket Set-Ref. No. 385.
● Included in Carburetor Overhaul Kit-Ref. No. 121.

◆ Included in Carburetor Gasket Set-Ref. No. 977.
∅ Included in Valve Gasket Set-Ref. No. 1095.



REF. NO.	PART NO.	DESCRIPTION	REF. NO.	PART NO.	DESCRIPTION	REF. NO.	PART NO.	DESCRIPTION
3	★391086	Seal—Oil (Magneto Side)	51	◆272708	Gasket—Intake	147	◆497472	Jet—Pilot (Used on LMT 101)
7	∅★271866	Gasket—Cylinder Head	51A	∅★272707	Gasket—Intake	163	∅★273101	Gasket—Air Cleaner
9	∅★27803	Gasket—Breather	93	◆690602	Bushing—Throttle Shaft	276A	◆281164	Washer—Sealing
12	★272125	Gasket—Crankcase (.015 Thick, Standard)	95	◆94098	Screw (Throttle Valve)	358	497511	Gasket Set—Engine
Note			104	◆690525	Pin—Float Hinge	524	★281370	Dipstick Tube Seal
		★272219 Gasket—Crankcase (.005 Thick)	105	◆231935	Valve—Float Needle	634	◆690802	Spring/Seal Assembly
		★272220 Gasket—Crankcase (.009 Thick)	106	◆231856	Seat—Inlet	691	★491323	Seal—Governor Shaft
20	★291675	Seal—Oil (PTO Side)	121	497450	Kit—Carburetor Overhaul	842	★270920	O—Ring Seal
			127	◆695005	Plug—Welch	883	∅★272293	Gasket—Exhaust
			137	◆281165	Gasket—Float Bowl	977	497069	Gasket Set—Carburetor
			142	◆497448	Nozzle—Carburetor (Standard) (Used on LMT 101)	978	★273326	Gasket—Oil Gard®
						987	◆691326	Seal—Throttle Shaft
						1095	498538	Gasket Set—Valve

★ Included in Engine Gasket Set—Ref. No. 385.
● Included in Carburetor Overhaul Kit—Ref. No. 121.

◆ Included in Carburetor Gasket Set—Ref. No. 977.
∅ Included in Valve Gasket Set—Ref. No. 1095.