

255700 to 255799

Illustrated Parts List

Model Series

255700 to 255799

TYPE NUMBERS

0101,
0105 Through 0116
0118 through 0123,
0125 through 0133.

TO FIND

THE CORRECT NUMBER OF THE PART YOU NEED: FOLLOW THE INSTRUCTIONS BELOW

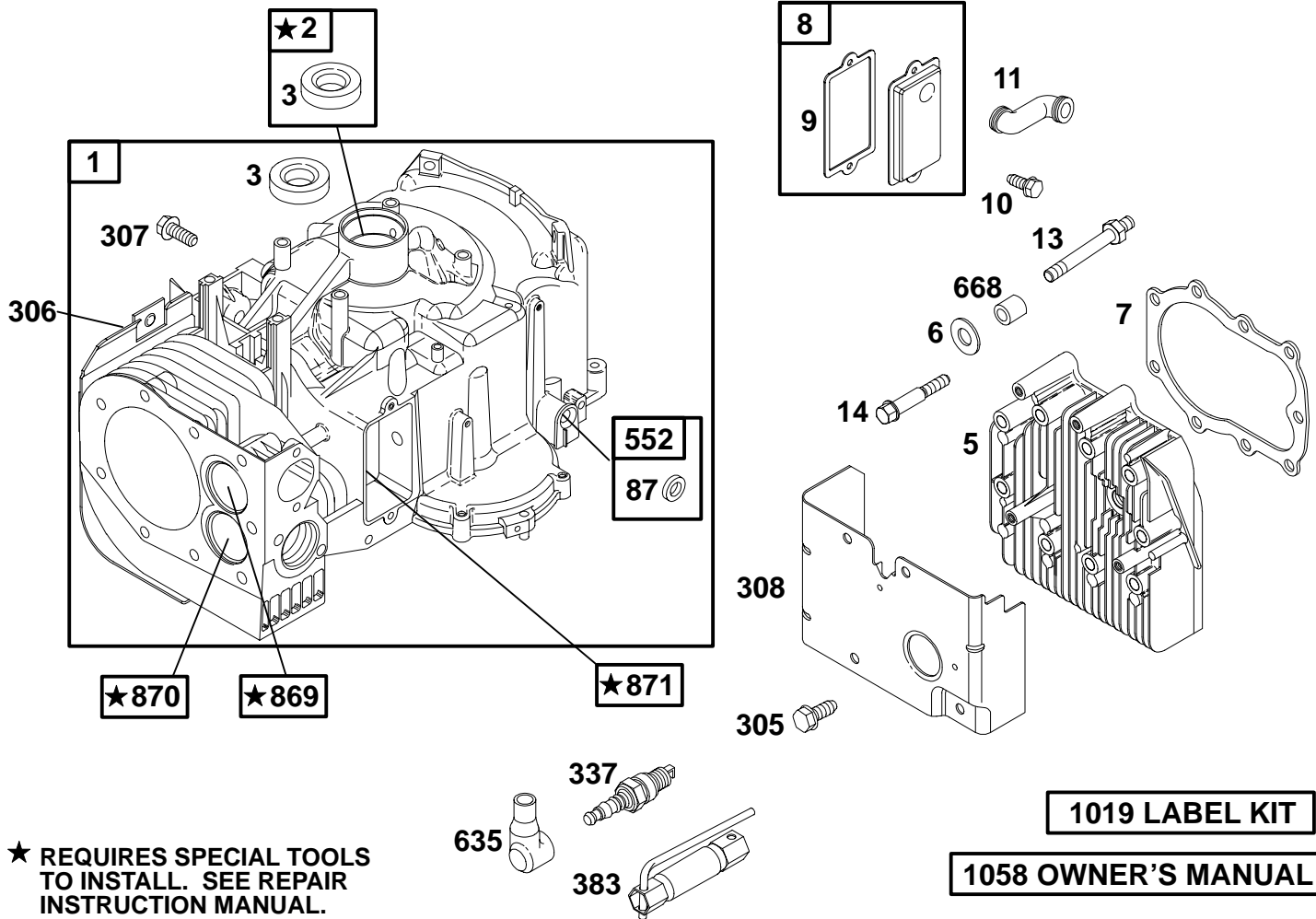
- A. Refer to Engine Model, Type and Code Number that is stamped on the blower housing of engine. Engine type numbers such as 0123 01 are listed only as 0123 in most instances. The two digits (01 or 02, etc.) to the right of the space may be required for more accurate parts identification in some instances. Select the Illustrated Parts List covering the correct Model Series and Type Number.
- B. Refer to the Illustrations and compare the original part with Illustration. The number next to the illustration is the Reference Number. Assemblies include all parts shown in frames. All parts shown in assembly frames having individual reference numbers can be purchased separately.
- C. After the Reference Number has been identified, refer to the Numerical text, where Reference and Primary Part Number are listed. **THE PRIMARY PART IS USED ON ALL TYPE NUMBERS EXCEPT THOSE TYPE NUMBERS UNDER "NOTE."**
- D. If a "Note" appears below the Primary Part Number, it means that this part differs from the Primary Part for certain types. If your Type number is listed under "Note," order the part referred to at the "Note."
- E. If your Engine Type Number does not appear after any part number listed under "Note," use the Primary Part Number.
- F. For Engine Type Numbers not covered by this book, check other Parts Lists having the same engine model or contact your source of supply.

PRINTED IN U.S.A.



COPYRIGHT by BRIGGS & STRATTON CORPORATION
All rights reserved. No part of this material may be reproduced or transmitted, in any form or by any means, electronic or mechanical, including photocopying, recording or by any information storage and retrieval system, without permission in writing from Briggs & Stratton Corporation.

255700 to 255799



★ **REQUIRES SPECIAL TOOLS TO INSTALL. SEE REPAIR INSTRUCTION MANUAL.**

1019 LABEL KIT

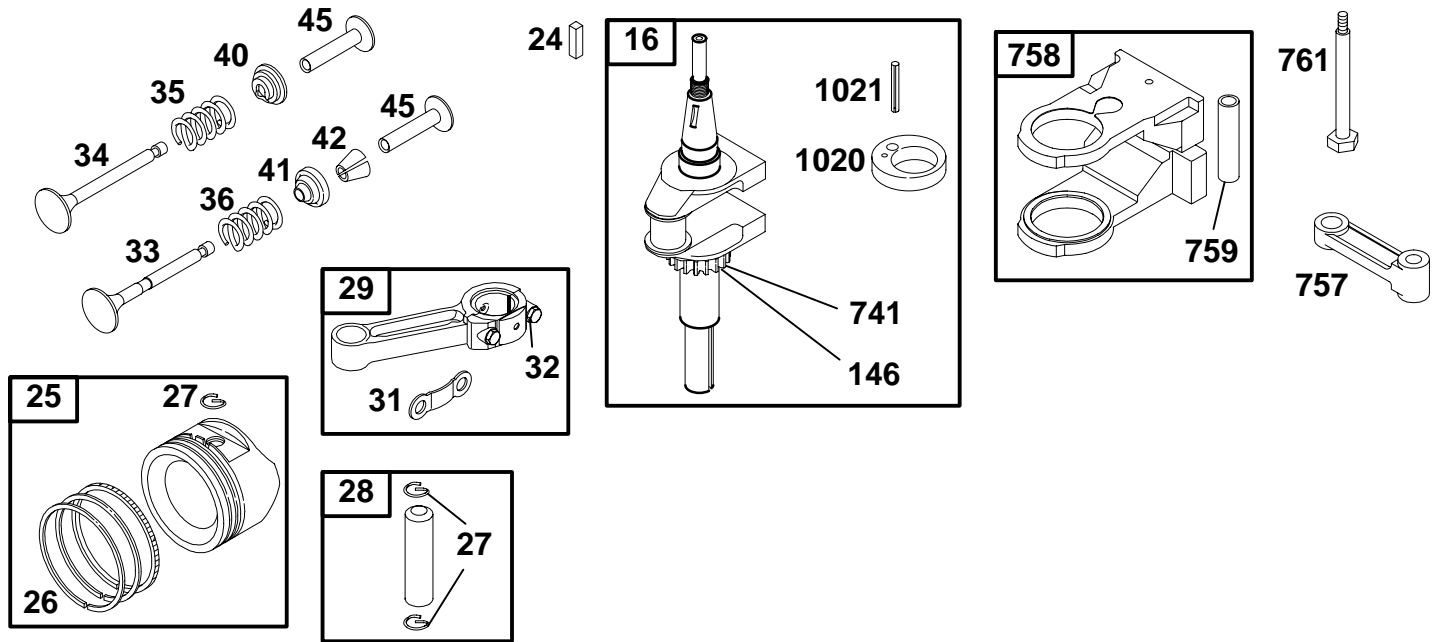
1058 OWNER'S MANUAL

REF. NO.	PART NO.	DESCRIPTION	REF. NO.	PART NO.	DESCRIPTION	REF. NO.	PART NO.	DESCRIPTION
1	495728	Cylinder Assembly	13	94776	Stud-Hex. Drive Used on Type No(s). 0109, 0110, 0120.	552	491986	Bushing-Governor Crank
2	399265	Bushing	14	94622	Screw-Hex.	635	66538	Boot-Spark Plug
3	★391086	Seal-Oil	87	★491323	Seal-Governor Shaft	668	231186	Spacer Used on Type No(s). 0109.
5	212914	Head-Cylinder	305	94786	Screw-Hex.	869	261463	Seat-Valve (Intake)
6	22963	Washer-Flat Used on Type No(s). 0109, 0110, 0120.	306	224882	Shield-Cylinder Note 224542 Shield-Cylinder Used on Type No(s). 0116, 0133.	870	262924	Seat-Valve (Exhaust)
7	★∅271866	Gasket-Cylinder Head	307	94930	Screw-Hex.	871	261961	Bushing-Guide (Exhaust Valve) Note 231218 Bushing-Guide (Intake Valve) (Brass)
8	495735	Breather Assembly Note 495734 Breather Assembly Used on Type No(s). 0123.	308	224897	Cover-Cylinder	1019	491252	Label Kit
9	★∅27803	Gasket-Breather	337	298809	Plug-Spark Note 802592 Plug-Spark (Resistor Type)	1058	270862	Owner's Manual
10	94621	Screw-Hex.	383	89838	Wrench-Spark Plug			
11	280100	Tube-Breather						

★ Included in Gasket Set-Part Number 494241.
● Included in Carburetor Kit-Part Number 394698.

∅ Included in Valve Overhaul Gasket Set-Part No. 498539.

255700 to 255799

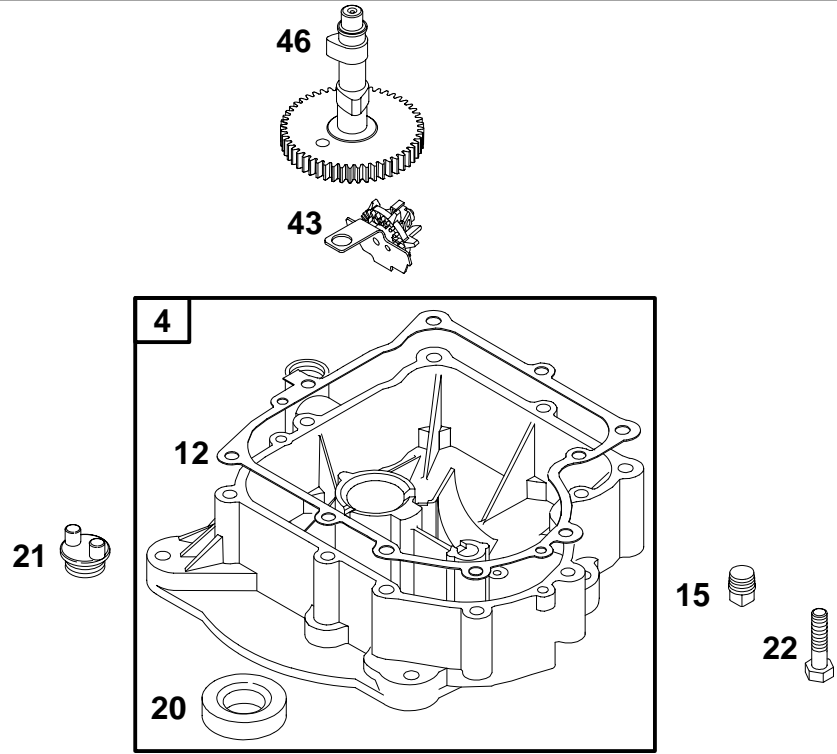
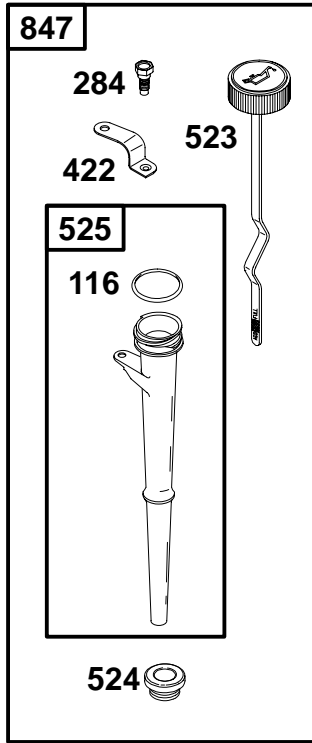


REF. NO.	PART NO.	DESCRIPTION	REF. NO.	PART NO.	DESCRIPTION	REF. NO.	PART NO.	DESCRIPTION
16	491647	Crankshaft (Used After Code Date 88071800). ———— Note ———— 498993 Crankshaft (Used Before Code Date 88071900). Used on Type No(s). 0111, 0113.	27	260924	Lock-Piston Pin	34	261462	Valve-Intake
24	222698	Key-Flywheel	28	299691	Pin-Piston (Standard)	35	65906	Spring-Valve
25	391285	Piston Assembly (Standard) ———— Note ———— 391287 Piston Assy. (.010" O.S.) 391288 Piston Assy. (.020" O.S.) 391289 Piston Assy. (.030" O.S.)	29	490348	Rod-Connecting (Standard) ———— Note ———— 490469 Rod-Conn. (.020" Undersize)	36	26828	Spring-Valve
26	391780	Ring Set (Standard) ———— Note ———— 392331 Ring Set (Chrome Standard) 391781 Ring Set (.010" O.S.) 391782 Ring Set (.020" O.S.) 391783 Ring Set (.030" O.S.)	31	222299	Lock-Rod Screw	40	221596	Retainer-Valve
			32	95017	Screw-Connecting Rod	41	292260	Retainer-Valve
			33	261185	Valve-Exhaust ———— Note ———— 261503 Valve-Exhaust (Used on engines with Ref 40 Retainer)	42	494553	Keeper-Valve
						45	262248	Tappet-Valve
						146	94196	Key-Timing
						741	262932	Gear-Timing
						757	213998	Link-Counterweight
						758	391373	Counterweight
						759	298909	Pin-Counterweight
						761	94593	Screw-Hex.
						1020	261242	Eccentric
						1021	94853	Pin-Retainer

★ Included in Gasket Set-Part Number 494241.
● Included in Carburetor Kit-Part Number 394698.

⊘ Included in Valve Overhaul Gasket Set-Part No. 498539.

255700 to 255799

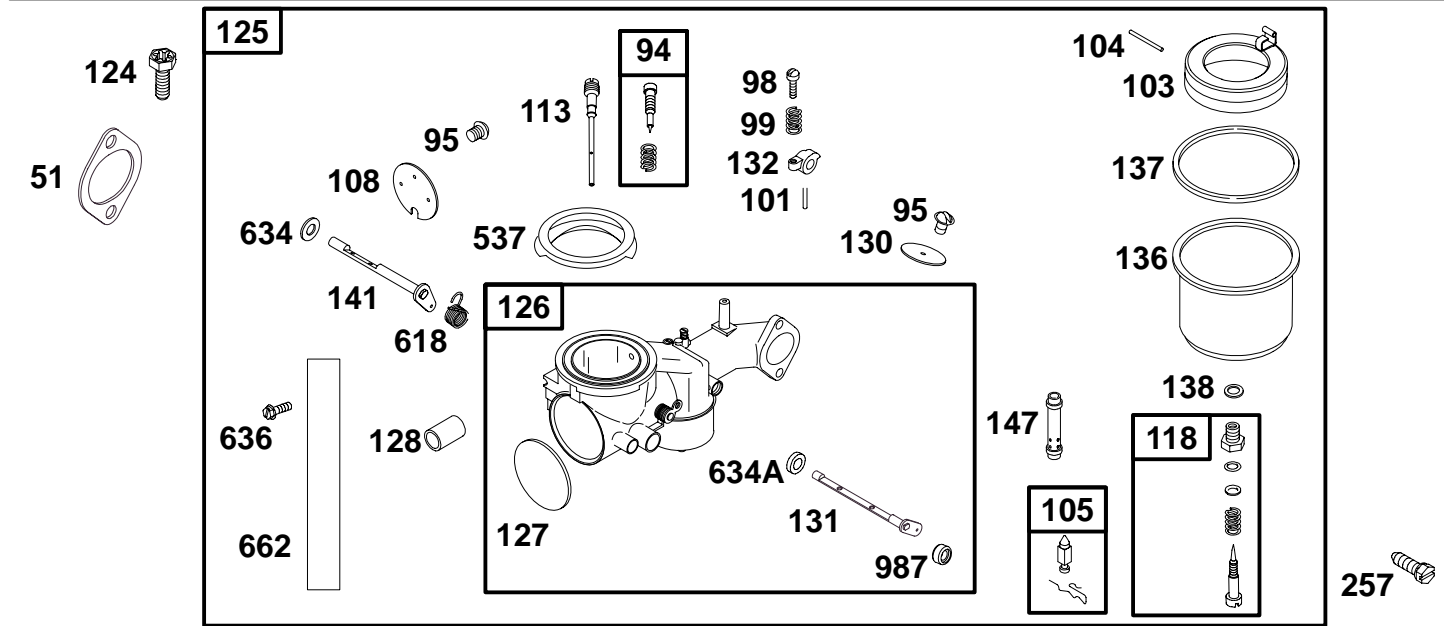


REF. NO.	PART NO.	DESCRIPTION	REF. NO.	PART NO.	DESCRIPTION	REF. NO.	PART NO.	DESCRIPTION
4	391784	Sump-Engine	15	94239	Plug-Oil Drain	284	94874	Screw-Hex.
12	★271702	Gasket-Crankcase (.015" Thick)	20	★291675	Seal-Oil	422	224872	Bracket-Oil Fill
		Note	21	66768	Cap-Oil Fill	523	495229	Dipstick
		★270915 Gasket-Crankcase (.005" Thick)	22	93585	Screw-Hex.	524	★281370	Seal-Fill Tube
		★270916 Gasket-Crankcase (.009" Thick)	43	490815	Governor/Oil Slinger	525	280134	Tube-Oil Fill
			46	212897	Gear-Cam	847	392067	Dipstick/Tube Assembly
			116	270920	Seal-O-Ring			

★ Included in Gasket Set-Part Number 494241.
● Included in Carburetor Kit-Part Number 394698.

∅ Included in Valve Overhaul Gasket Set-Part No. 498539.

255700 to 255799

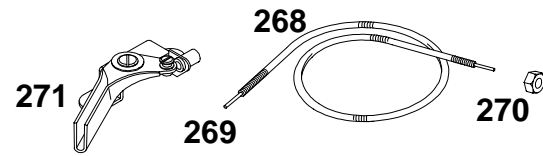
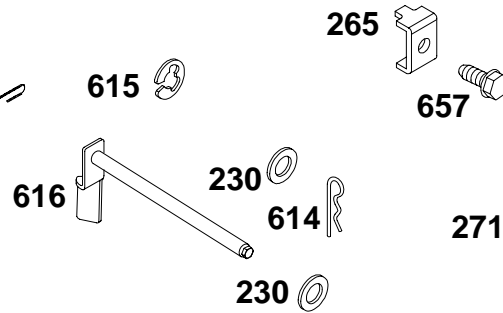
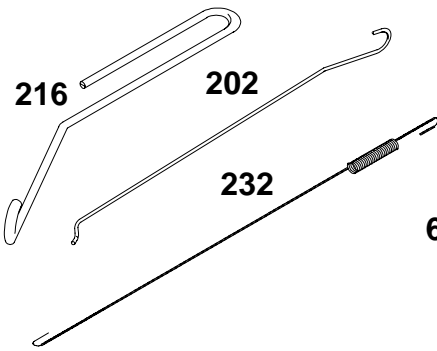
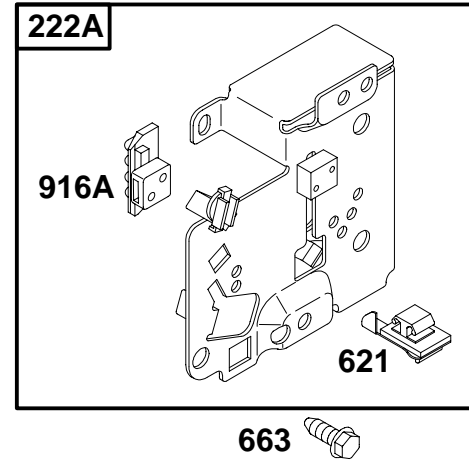
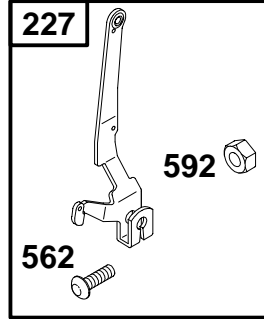
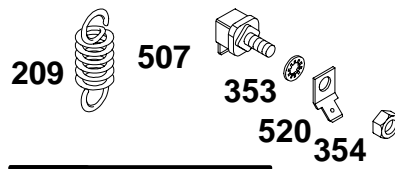
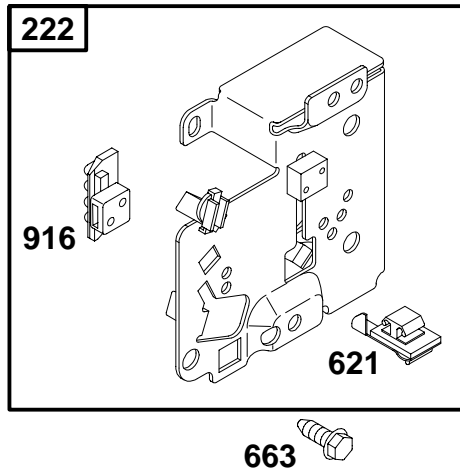


REF. NO.	PART NO.	DESCRIPTION	REF. NO.	PART NO.	DESCRIPTION	REF. NO.	PART NO.	DESCRIPTION		
51	272554	Gasket-Carb Mounting	125	491562	Carburetor Assembly (Choke A Matic [®] , Gravity Feed)	130	222433	Valve-Throttle		
94	292681	Kit-Idle Mixture			Note	131	491006	Throttle Shaft Kit		
95	93499	Screw-Choke/Throttle			491557	Carburetor (Remote/Manual Choke)	132	211712	Stop-Throttle	
98	91920	Screw-Slotted			Used on Type No(s). 0101, 0116.	136	221995	Bowl-Float		
99	26157	Spring-Friction			492975	Carburetor (Choke A Matic [®] , Pump Feed)	137	270511	Gasket-Float Bowl	
101	93043	Pin-Throttle Lever			Used on Type No(s). 0123.	138	222014	Washer		
103	299707	Float-Carburetor	126	391787	Body Assembly-Upper (Gravity Feed)	141	390684	Shaft-Choke		
104	231435	Pin-Float Hinge			Note			299647	Shaft-Choke	
105	394681	Kit-Needle/Seat (Gravity Feed)			394038	Body Assembly-Upper (Pump Feed)			Used on Type No(s). 0101, 0116.	
		Note			127	221997	Plug-Welch	147	231323	Nozzle-Carburetor
		394683	Kit-Needle/Seat (Pump Feed)		128	213115	Venturi-Carburetor	257	93543	Screw-Slotted
108	222010	Valve-Choke						537	270853	Gasket-Air Cleaner
113	299740	Nozzle-Carburetor						618	261116	Spring
118	396568	Valve-High Speed						634	270382	Washer
124	94913	Screw-Torx [®] Hex.						634A	271853	Seal-Throttle Shaft
								662	222311	Bracket-Carburetor
								663	93572	Screw-Hex.
								987	398970	Seal-Throttle Shaft

★ Included in Gasket Set-Part Number 494241.
 ● Included in Carburetor Kit-Part Number 394698.

⊘ Included in Valve Overhaul Gasket Set-Part No. 498539.

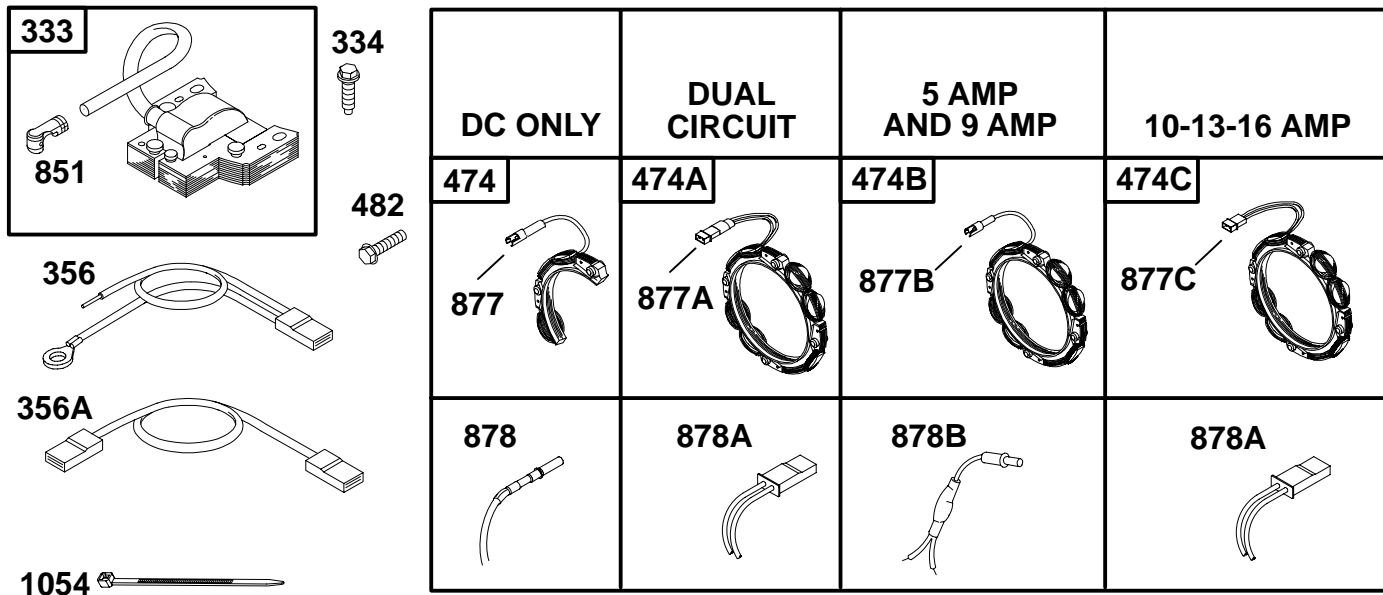
255700 to 255799



REF. NO.	PART NO.	DESCRIPTION	REF. NO.	PART NO.	DESCRIPTION	REF. NO.	PART NO.	DESCRIPTION
202	262348	Link—Mechanical Gov.	216	261610	Link—Choke	353	92791	Washer—Lock
209	260695	Spring—Governor	222	491594	Bracket—Control	354	90576	Nut—Hex.
		Note	222A	491593	Bracket—Control	507	398525	Insulator
		260871 Spring—Governor			Used on Type No(s). 0116, 0133.	520	93722	Terminal—Ground
		Used on Type No(s). 0101, 0123.	227	490927	Lever—Governor	562	92613	Bolt—Governor Lever
		261126 Spring—Governor	230	94742	Washer	592	231082	Nut—Hex.
		Used on Type No(s). 0107, 0108, 0113, 0119, 0125, 0127.	232	260584	Spring—Link	614	93306	Pin—Cotter
		261130 Spring—Governor	265	221535	Clamp—Casing	615	93307	Retainer
		Used on Type No(s). 0114, 0115, 0118, 0122.	268	65616	Casing—Wire (Cut to Required Length)	616	495157	Crank—Governor
		260902 Spring—Governor	269	26633	Wire—Control (Cut to Required Length)	621	396847	Switch—Stop
		Used on Type No(s). 0120.	270	63426	Locknut—Casing	657	94906	Screw—Slotted Hex.
			271	290568	Lever—Control	663	94929	Screw—Hex.
						916	280324	Rack—Gov. Gear
						916A	280321	Rack—Gov. Gear

★ Included in Gasket Set—Part Number 494241.
● Included in Carburetor Kit—Part Number 394698.

∅ Included in Valve Overhaul Gasket Set—Part No. 498539.



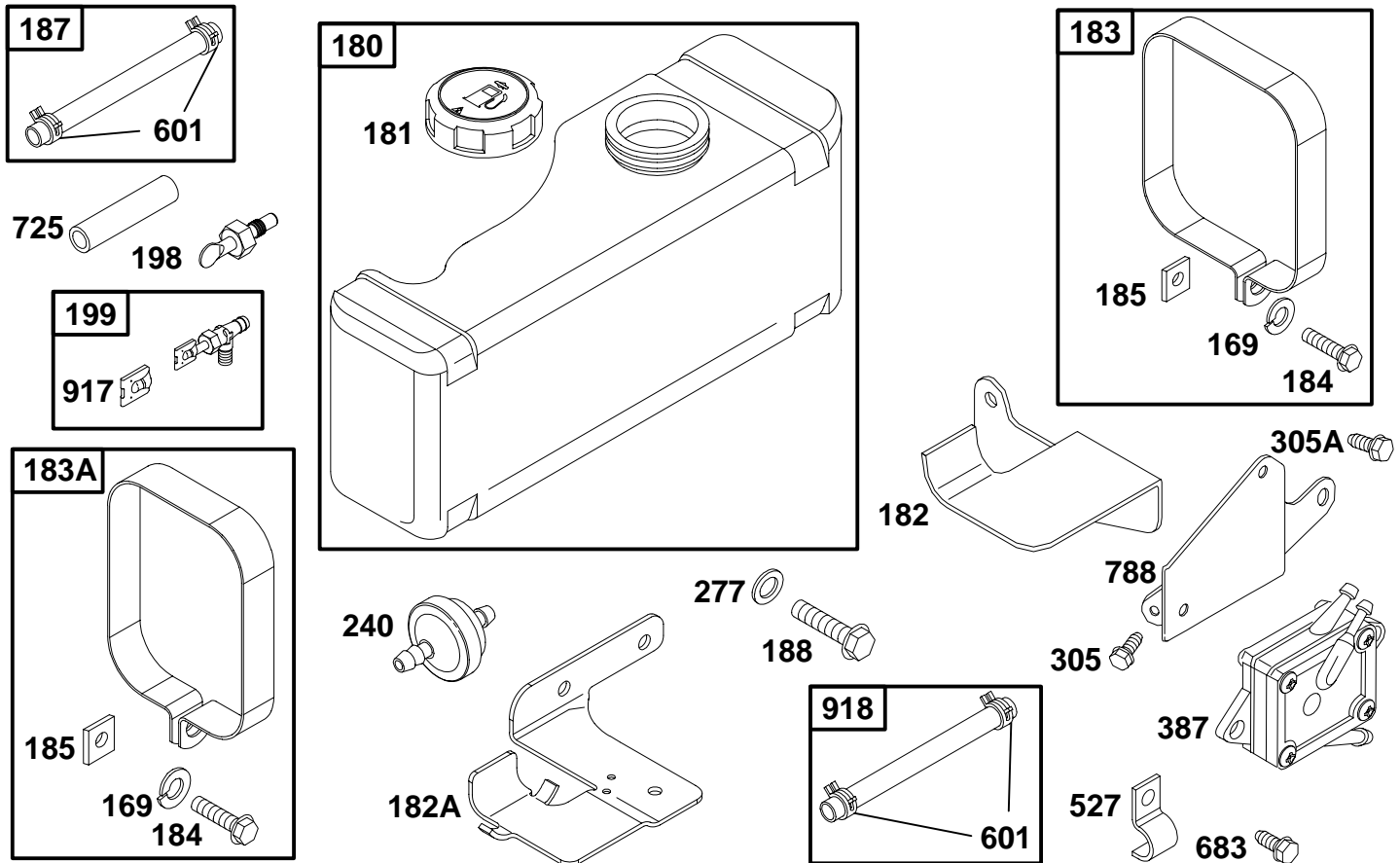
NOTE: THE PROPER FLYWHEEL PART NUMBER AND/OR THE ALTERNATOR MAGNET SIZE WILL DETERMINE THE ALTERNATOR TYPE OR OUTPUT. SEE REPAIR INSTRUCTION MANUAL FOR ADDITIONAL INFORMATION

REF. NO.	PART NO.	DESCRIPTION	REF. NO.	PART NO.	DESCRIPTION	REF. NO.	PART NO.	DESCRIPTION
333	492341	Armature-Magneto	474B	392595	Alternator	877B	393537	Wire-Alternator
334	94731	Screw-Hex.	474C	393295	Alternator	877C	399916	Wire-Alternator
356	398808	Wire-Stop	482	93621	Screw-Hex.	878	393422	Harness-Alternator
356A	494328	Wire-Stop	851	493880	Terminal-Cable	878A	393362	Harness-Alternator
474	391529	Alternator	877	393814	Wire-Alternator	878B	392606	Harness-Alternator
474A	393474	Alternator	877A	393456	Wire-Alternator	1054	280275	Tie-Cable

★ Included in Gasket Set-Part Number 494241.
● Included in Carburetor Kit-Part Number 394698.

∅ Included in Valve Overhaul Gasket Set-Part No. 498539.

255700 to 255799



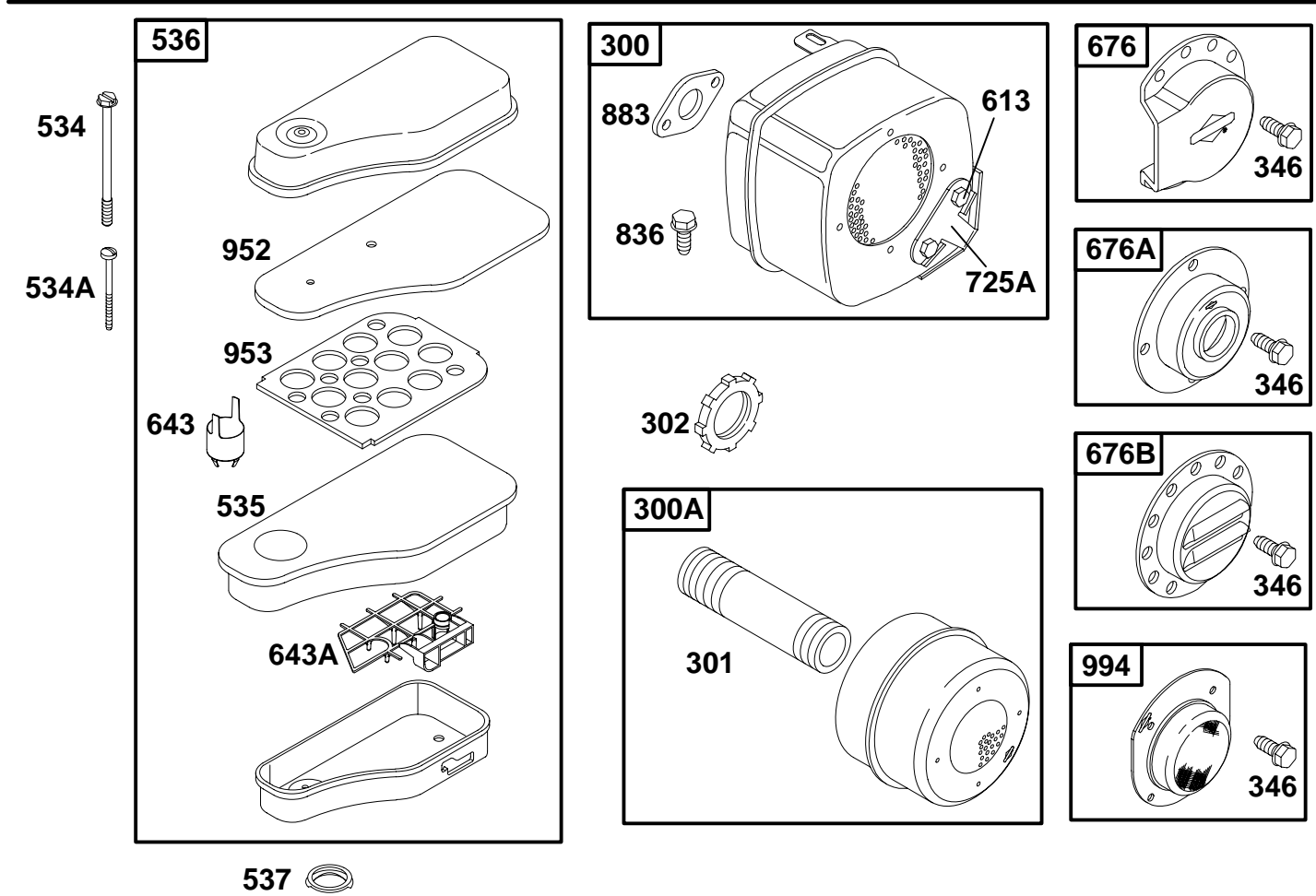
REF. NO.	PART NO.	DESCRIPTION	REF. NO.	PART NO.	DESCRIPTION	REF. NO.	PART NO.	DESCRIPTION	
169	90832	Washer-Lock	198	293934	Valve-Shut-Off	387	491922	Pump-Fuel	
180	390225	Tank-Fuel	199	492649	Valve-Fuel Shut-Off	527	221428	Clamp	
181	493988	Cap-Fuel Tank	240	298090	Filter-Fuel	601	93053	Clamp-Fuel Pipe	
182	222980	Brkt.-Fuel Tank			Note	683	93572	Screw-Hex.	
182A	224884	Brkt.-Fuel Tank			394358	Filter-Fuel	725	222175	Shield-Heat
183	390406	Strap-Fuel Tank			(Used on Fuel Pump Applications)	788	224431	Bracket-Fuel Pump	
183A	390405	Strap-Fuel Tank	277	22776	Washer-Flat (2)	917	223271	Handle-Shut-Off Valve	
184	94286	Screw-Hex. Hd.			(Used on Engines With Electric Start)	918	393815	Hose-Vacuum	
185	90970	Nut-Square			Note				
187	299146	Line-Fuel (Cut to Required Length)			22963	Washer (4)			
188	93634	Screw-Hex. (Used on Engines With Electric Start)			(Used on Engines With Rewind Start Only)				
		Note	305	94786	Screw-Hex.				
		93535	305A	94513	Screw-Hex.				
		Screw-Hex. (Used on Engines With Rewind Start Only)							

★ Included in Gasket Set-Part Number 494241.

● Included in Carburetor Kit-Part Number 394698.

∅ Included in Valve Overhaul Gasket Set-Part No. 498539.

255700 to 255799

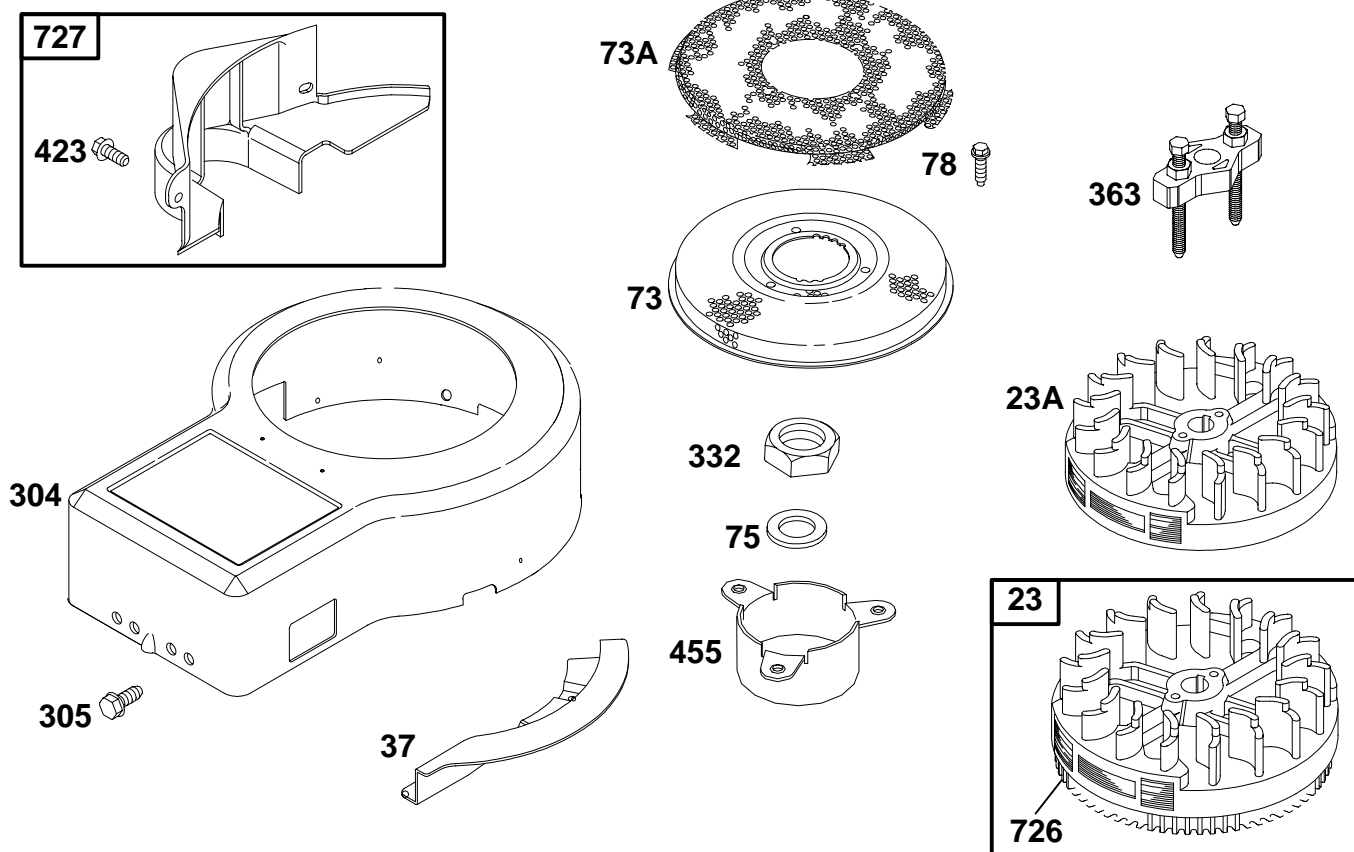


REF. NO.	PART NO.	DESCRIPTION	REF. NO.	PART NO.	DESCRIPTION	REF. NO.	PART NO.	DESCRIPTION
300	491413	Muffler-Exhaust	536	391786	Cleaner-Air	676B	397630	Deflector-Muffler
300A	391569	Muffler-Exhaust	537	★270853	Gasket-Air Cleaner	725A	223023	Shield-Heat
301	93768	Pipe-Muffler	613	93927	Screw-Shoulder	836	690960	Screw-Torx® Hex.
302	261564	Locknut-Muffler	643	222380	Spacer-Air Cleaner	883	∅★272293	Gasket-Exhaust
346	94896	Screw-Hex.	643A	280118	Retainer-Air Filter	952	222495	Spacer-Air Cleaner
534	93323	Screw-Slotted	676	393761	Deflector-Muffler	953	222382	Screen-Air Cleaner
534A	93622	Screw-Slotted	676A	396903	Deflector-Muffler	994	392390	Arrestor-Spark
535	270843	Filter-A/C Foam						

★ Included in Gasket Set-Part Number 494241.
 ● Included in Carburetor Kit-Part Number 394698.

∅ Included in Valve Overhaul Gasket Set-Part No. 498539.

255700 to 255799

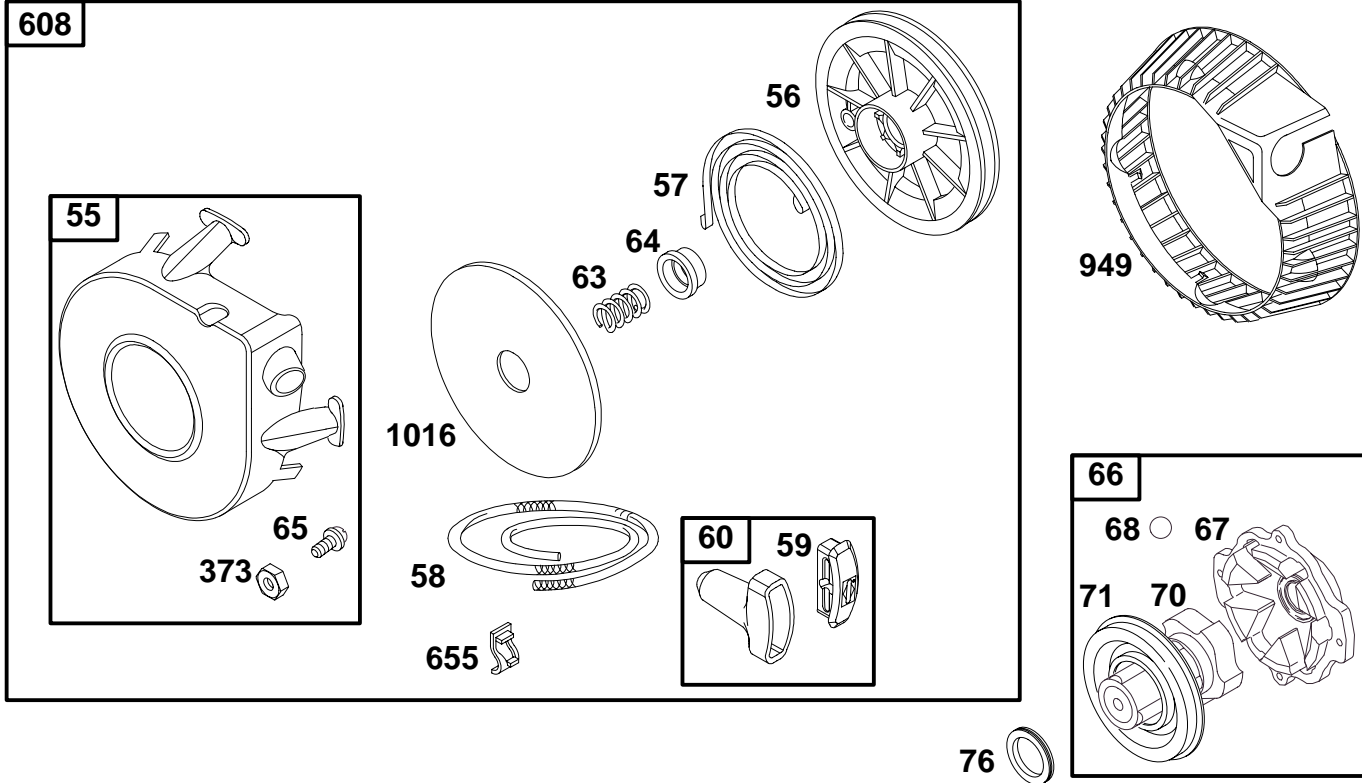


REF. NO.	PART NO.	DESCRIPTION	REF. NO.	PART NO.	DESCRIPTION	REF. NO.	PART NO.	DESCRIPTION
23	391988	Flywheel	304	398333	Housing-Blower (Used After Code Date 93091200).	332	94877	Nut-Flywheel
23A	498896	Flywheel			Note	363	19203	Flywheel Puller
37	222475	Guard-Flywheel			(Used Before Code Date 93091300).	423	94073	Screw-Shoulder
73	224874	Screen-Rotating				455	222561	Cup-Flywheel
73A	224517	Screen-Rotating				726	392134	Gear-Ring (Includes Mounting Hardware)
75	224061	Washer-Flywheel				727	395405	Cover-Starter Drive
78	94626	Screw-Phillips	305	94786	Screw-Hex.			

★ Included in Gasket Set-Part Number 494241.
● Included in Carburetor Kit-Part Number 394698.

∅ Included in Valve Overhaul Gasket Set-Part No. 498539.

255700 to 255799

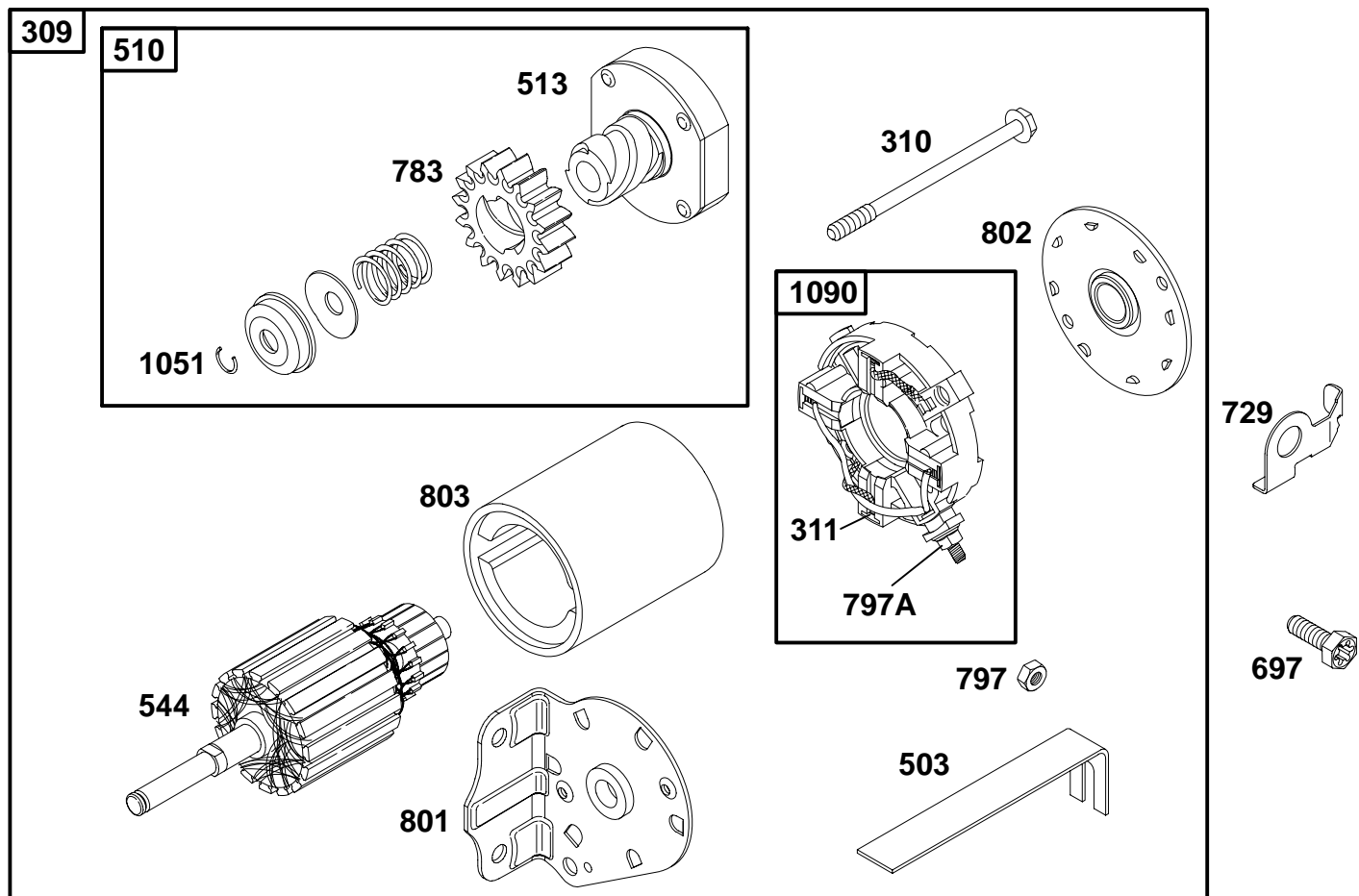


REF. NO.	PART NO.	DESCRIPTION	REF. NO.	PART NO.	DESCRIPTION	REF. NO.	PART NO.	DESCRIPTION
55	393576	Housing—Rewind Starter	59	490653	Insert—Grip	70	298799	Ratchet—Clutch
56	295871	Pulley—Starter (Includes Rope)	60	490652	Grip—Starter Rope	71	394506	Cover—Ratchet
57	490179	Spring—Rewind Starter	63	260414	Spring—Ratchet	76	68238	Seal
58	66894	Rope—Starter (Cut to Required Length)	64	281204	Adapter—Spring	373	92987	Nut—Hex.
			65	94128	Screw—Hex.	608	390391	Starter—Rewind
			66	399671	Clutch—Starter	655	222598	Anchor—Spring
			67	394897	Housing—Clutch	949	280685	Guard—Rewind
			68	63770	Ball—Clutch	1016	490817	Spacer—Rewind

★ Included in Gasket Set—Part Number 494241.
 ● Included in Carburetor Kit—Part Number 394698.

⊘ Included in Valve Overhaul Gasket Set—Part No. 498539.

255700 to 255799

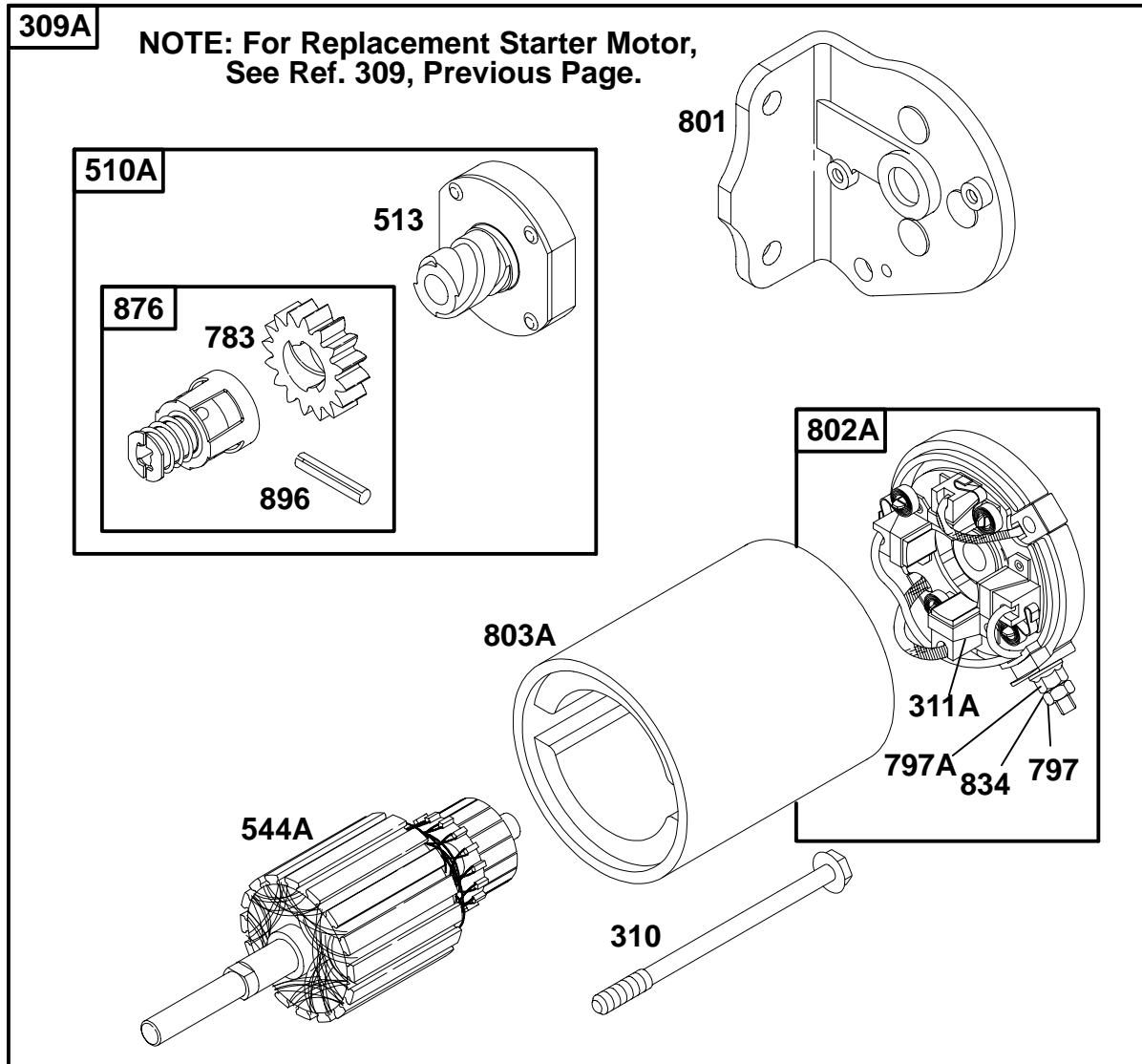


REF. NO.	PART NO.	DESCRIPTION	REF. NO.	PART NO.	DESCRIPTION	REF. NO.	PART NO.	DESCRIPTION
309	497595	Motor-Starter	697	94773	Screw	797A	693167	Nut (Starter Terminal)
311	497608	Brush Set	729	225170	Clip-Wire	801	497626	Cap-Drive
310A	94003	Bolt	783	693058	Gear-Starter	802	497607	Cap-End
503	806000	Strap-Starter	797	92278	Nut (Starter Terminal)	803	497604	Housing-Starter
510	497606	Drive-Starter				1051	263080	Ring-Retaining
513	398003	Clutch-Drive				1090	497605	Retainer-Brush
544	497603	Armature-Starter						

★ Included in Gasket Set-Part Number 494241.

● Included in Carburetor Kit-Part Number 394698.

⊘ Included in Valve Overhaul Gasket Set-Part No. 498539.

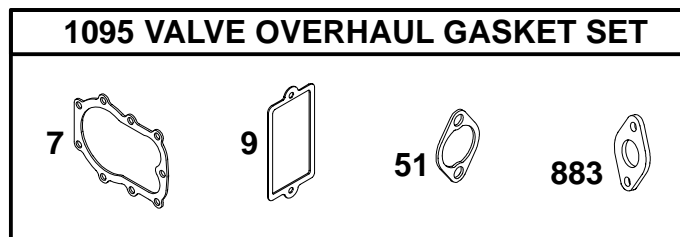
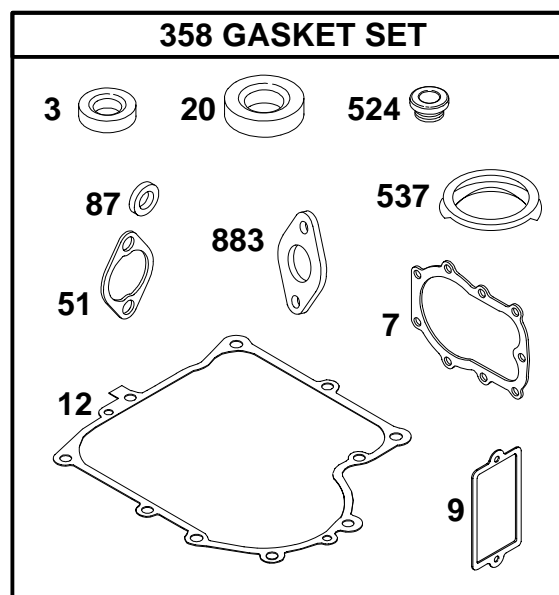
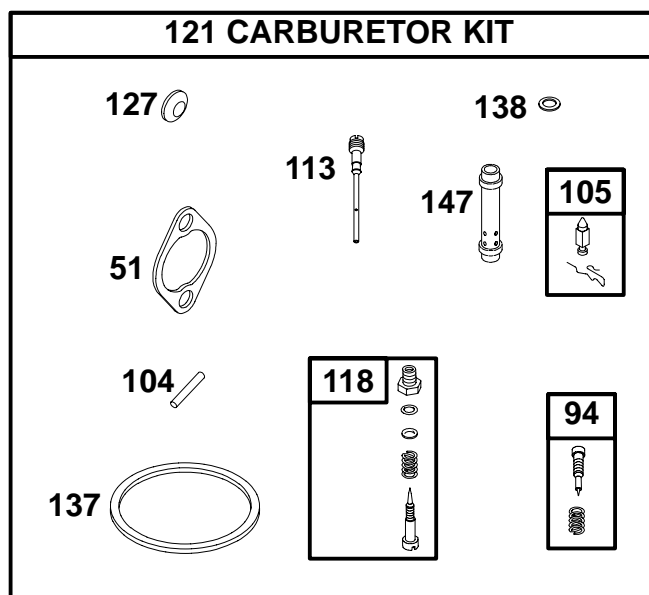


REF. NO.	PART NO.	DESCRIPTION	REF. NO.	PART NO.	DESCRIPTION	REF. NO.	PART NO.	DESCRIPTION
309A		Motor-Starting (For Replacement Starter Motor, See Ref. 309, Previous Page.)	697A	94627	Screw (Starter Motor Mounting)	801	394856	Cap-Drive
310	94003	Screw-Hex.	729A	224723	Clip-Wire	802A	395537	Cap-End
311A	395538	Brush Set	783	693059	Gear-Starter	803A	398159	Housing-Starter
510A	495878	Drive-Starter	797	92278	Nut (Starter Terminal)	834	92507	Washer (Starter Terminal)
513	398003	Clutch-Drive	797A	693167	Nut (Starter Terminal)	876	495877	Kit-Gear
544A	390837	Armature-Starter				896	94288	Pin-Drive Retainer

★ Included in Gasket Set-Part Number 494241.
● Included in Carburetor Kit-Part Number 394698.

∅ Included in Valve Overhaul Gasket Set-Part No. 498539.

255700 to 255799



REF. NO.	PART NO.	DESCRIPTION	REF. NO.	PART NO.	DESCRIPTION	REF. NO.	PART NO.	DESCRIPTION	
3	★391086	Seal-Oil	20	★291675	Seal-Oil	138	●222014	Washer	
7	∅★271866	Gasket-Cylinder Head	51	∅★272554	Gasket-Intake	147	●231323	Nozzle-Carburetor	
9	∅★27803	Gasket-Breather	87	★491323	Seal-Governor Shaft	358	494241	Gasket Set	
12	★271702	Gasket-Crankcase (.015" Thick)	94	●292681	Kit-Idle Mixture	524	★281370	Seal-Fill Tube	
		Note	104	●231435	Pin-Float Hinge	537	★270853	Gasket-Air Cleaner	
		★270915	Gasket-Crankcase (.005" Thick)	105	●394681	Valve-Needle	883	∅★272293	Gasket-Exhaust
		★270916	Gasket-Crankcase (.009" Thick)	113	●299740	Nozzle-Carburetor	1095	498539	Gasket Set-Valve Overhaul
			118	●396568	Valve-High Speed				
			121	394698	Carburetor Kit				
			127	●221997	Plug-Welch				
			137	●270511	Gasket-Float Bowl				

★ Included in Gasket Set-Part Number 494241.
● Included in Carburetor Kit-Part Number 394698.

∅ Included in Valve Overhaul Gasket Set-Part No. 498539.