

MS-2441

6/98

Model Series

254700 to 254799

TYPE NUMBERS

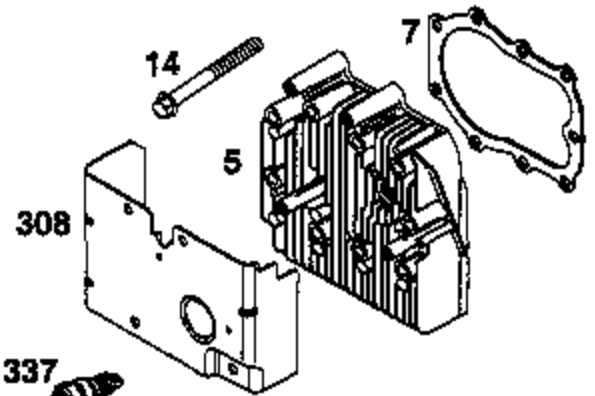
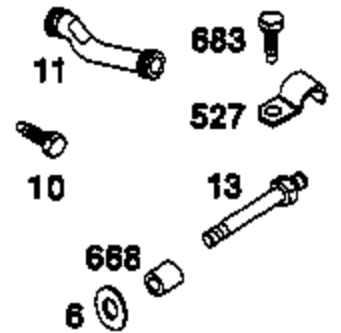
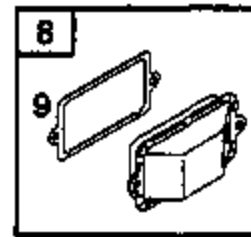
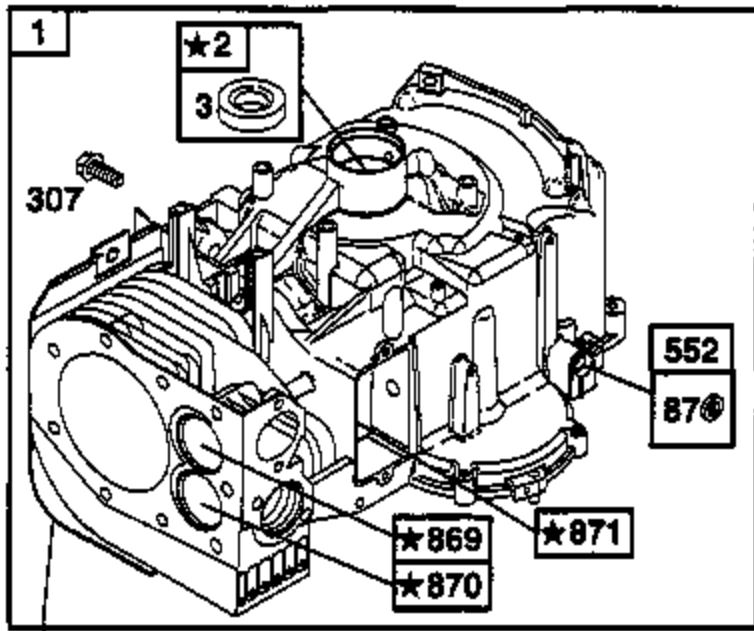
0101, 0102, 0103,

0115,

0117 through 0121,

0123 through 0128,

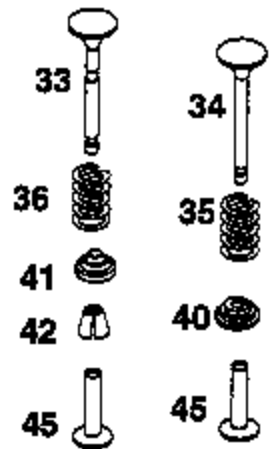
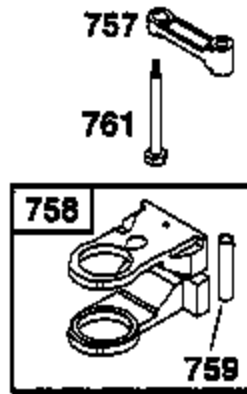
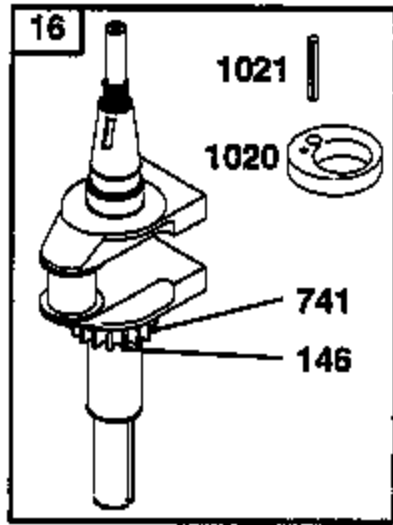
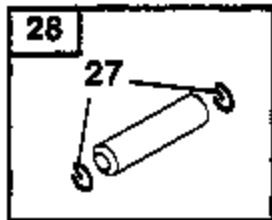
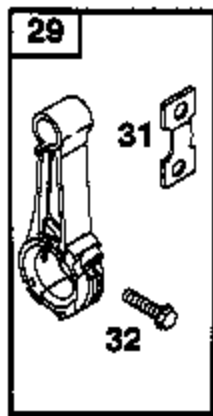
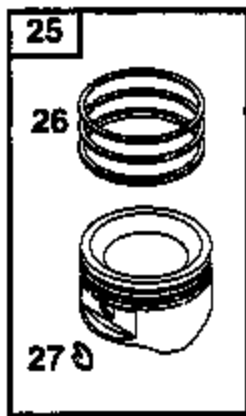
0130, 0139, 0140.



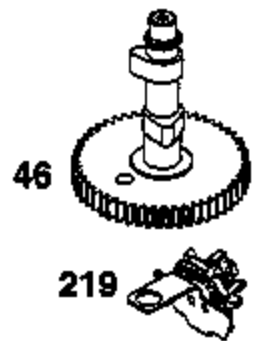
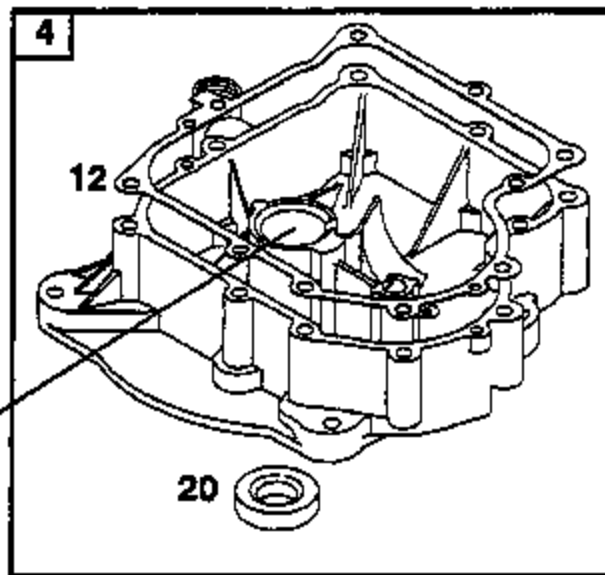
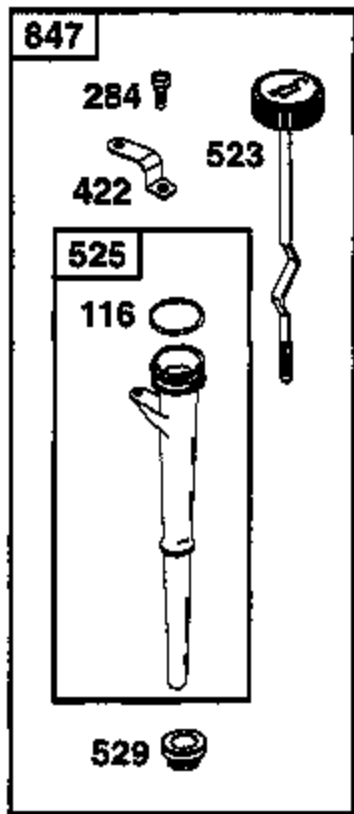
1019 LABEL KIT

★ REQUIRES SPECIAL TOOLS TO INSTALL.  
SEE REPAIR INSTRUCTION MANUAL.

1	495728	Cylinder Assembly
2	399265	Bushing-Cylinder
3	*391086	Seal-Oil
5	212914	Head-Cylinder
6	22963	Washer-Flat
7	*271866	Gasket-Cylinder Head
8	495735	Breather Assembly
9	*27803	Gasket-Breather
10	94621	Screw-Hex.
11	280100	Tube-Breather
13	94776	Stud-Hex. Drive
14	94622	Screw-Hex.
87	*491323	Seal-Gov. Shaft
306	224542	Shield-Cylinder
307	94930	Screw-Hex.
308	224897	Cover-Cylinder
337	802592	Plug-Spark (Resistor Type)
383	89838	Wrench-Spark Plug
527	221428	Support-Breather Tube
552	491986	Bushing-Governor Crank
635	66538	Boot-Spark Plug
668	231186	Spacer
683	94874	Screw-Hex.
869	261463	Seat-Valve (Intake)
870	262924	Seat-Valve (Exhaust)
871	261961	Bushing-Guide ----- Note ----- 231218 Bushing-Guide (Brass)
1019	491195	Label Kit



16	498994	Crankshaft
25	391285	Piston Assembly (Standard) ----- Note ----- 391287 Piston Assy. (.010" O.S.) 391288 Piston Assy. (.020" O.S.) 391289 Piston Assy. (.030" O.S.)
26	391780	Ring Set (Standard) ----- Note ----- 392331 Ring Set (Standard Chrome) 391781 Ring Set (.010" O.S.) 391782 Ring Set (.020" O.S.) 391783 Ring Set (.030" O.S.)
27	260924	Lock-Piston Pin
28	299691	Pin-Piston (Standard) ----- Note ----- 391286 Pin-Piston (.005" O.S.)
29	490348	Rod-Connecting (Standard) ----- Note ----- 490469 Rod- Connecting (.020" Undersize)
31	222299	Lock-Rod Screw
32	95017	Screw-Conn. Rod
33	261185	Valve-Exhaust
34	261462	Valve-Intake
35	65906	Spring-Valve
36	26828	Spring-Valve
40	221596	Retainer-Valve
41	292260	Retainer-Valve
42	494553	Keeper-Valve
45	262248	Tappet-Valve
146	94196	Key-Timing
357	91540	Key-Drive Pulley
741	262932	Gear-Timing
757	213998	Link-Counterweight
758	391373	Counterweight
759	298909	Pin-Counterweight
761	94593	Screw-Hex.
1020	261242	Eccentric
1021	94160	Pin-Eccentric



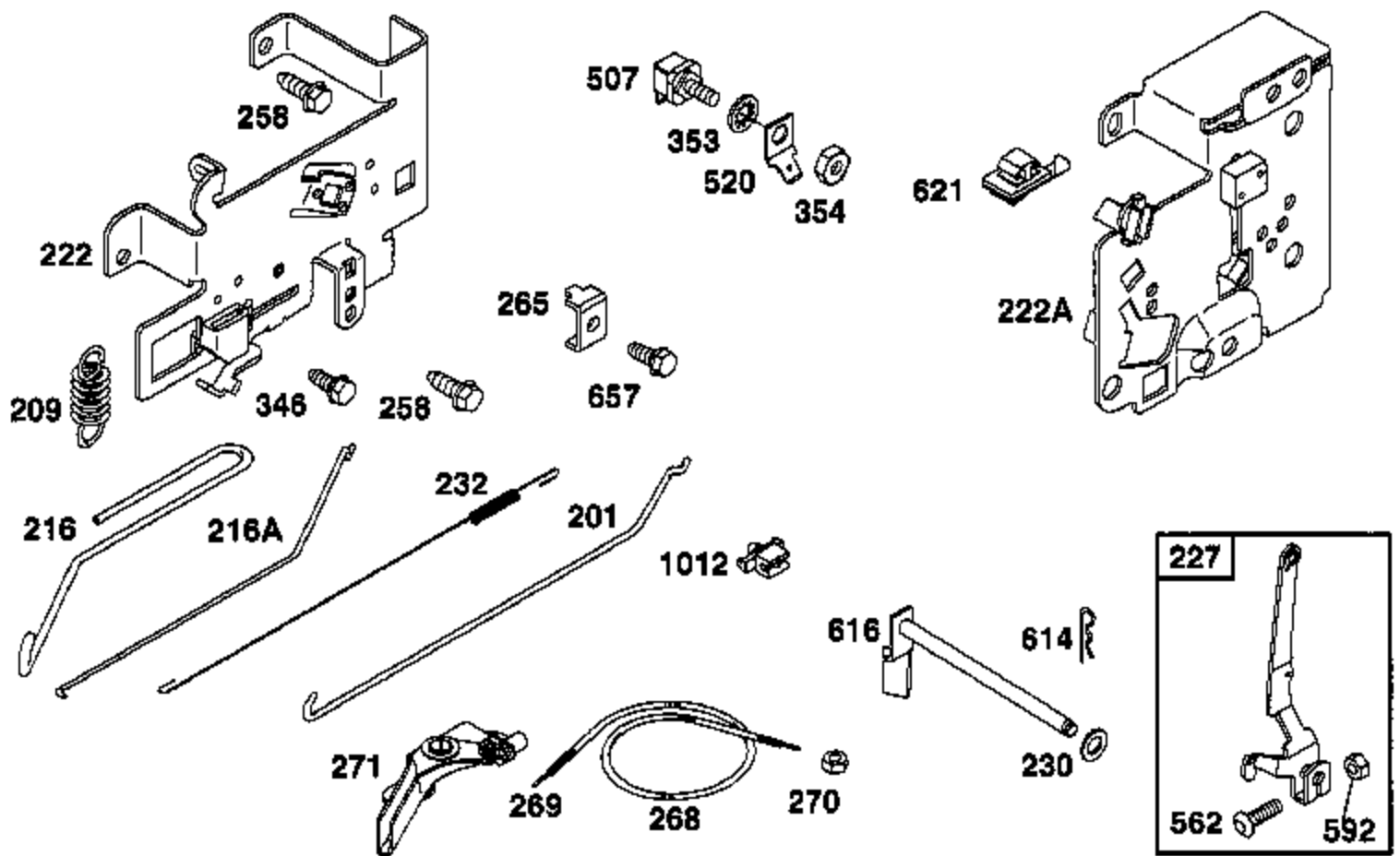
★ REQUIRES SPECIAL TOOLS TO INSTALL.  
SEE REPAIR INSTRUCTION MANUAL.

4	391784	Sump-Engine
12	*271702	Gasket-Crankcase (.015" Thick, Standard) ----- Note ----- *270915 Gasket- Crankcase (.005" Thick) *270916 Gasket- Crankcase (.009" Thick)
15	94239	Plug-Oil Drain
19	490666	Bushing
20	*291675	Seal-Oil
21	66768	Plug-Oil Fill
22	93585	Screw-Hex.
46	212897	Gear-Cam
116	*270920	Seal-O-Ring
219	490815	Governor-Oil Slinger
284	94602	Screw-Hex.
422	224872	Bracket-Oil Fill
523	495229	Dipstick
525	280134	Tube-Oil Fill
529	*281370	Seal-Fill Tube
847	392067	Dipstick/Tube Assembly

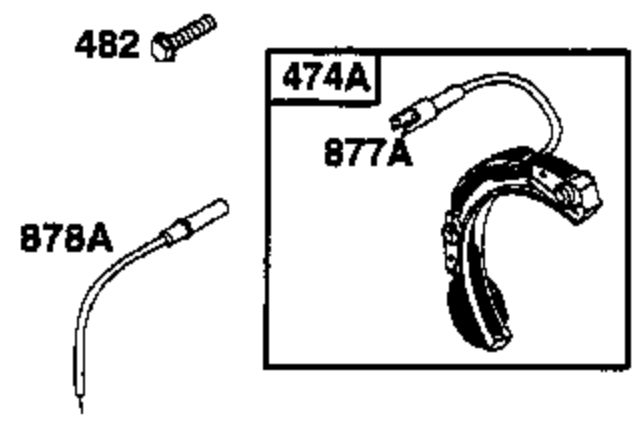
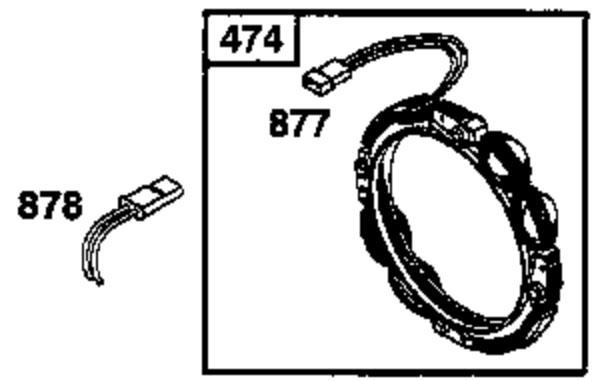
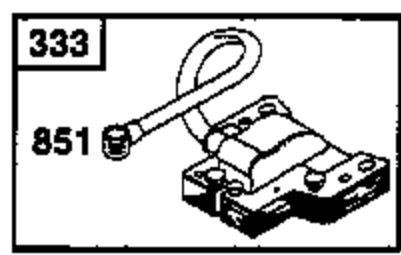
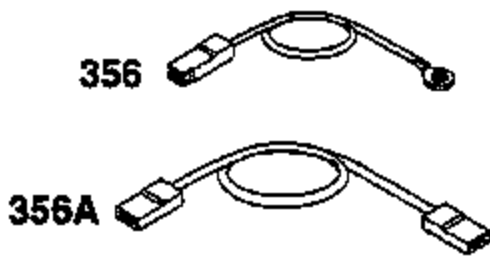




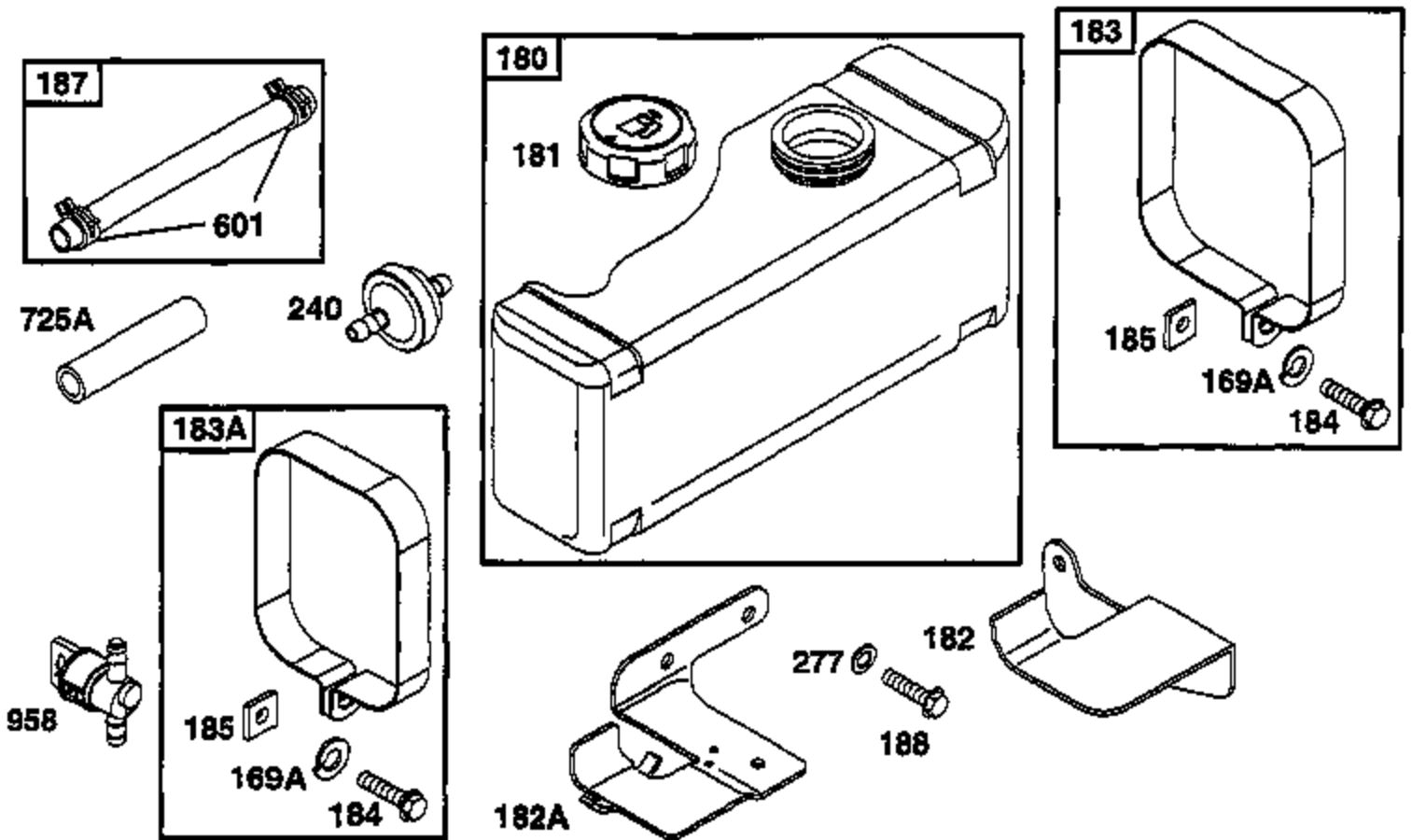
50	213819	Manifold-Intake
51	·272554	Gasket-Intake
51A	*498869	Gasket-Carb. Mtg.
53	94637	Stud-Carb. Mtg.
93	·281346	Bushing-Throttle Shaft
94	494383	Kit-Idle Mixture
95	·94098	Screw-Choke/Throttle
98	495800	Screw-Idle Speed (Used After Code Date 92071900). ----- Note ----- 398185 Screw-Idle Speed (Used Before Code Date 92072000).
104	·231789	Pin-Float Hinge
105	·231855	Kit-Needle/Seat (Used After Code Date 92071900). ----- Note ----- ·494788 Kit- Needle/Seat (Used Before Code Date 92072000).
106	·231854	Seat-Inlet (Used After Code Date 92071900). ----- Note ----- ·280328 Seat-Inlet (Used Before Code Date 92072000).
108	224667	Valve-Choke
108A	224666	Valve-Choke
111	262820	Spring-Friction
123	94616	Screw-T/30
125	495784	Carburetor
127	·	Plug-Welch (Sold in Kit Only)
130	224539	Valve-Throttle
131	494379	Throttle Shaft Kit
133	494381	Float-Carburetor
137	·281165	Gasket-Float Bowl
138	·281164	Washer-Seal
141	495097	Shaft-Choke
141A	495931	Shaft-Choke (Used After Code Date 92071900). ----- Note ----- 494879 Shaft-Choke (Used Before Code Date 92072000).
142	·494878	Nozzle-Carburetor (Standard)
142A	495604	Nozzle-Carburetor (High Altitude)
147	·497472	Jet-Pilot
186	493496	Connector-Hose
618	262803	Spring
634	·281167	Seal-Throttle Shaft
634A	·494453	Seal-Spring Assy.



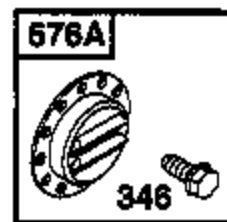
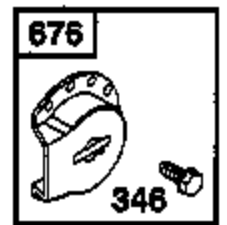
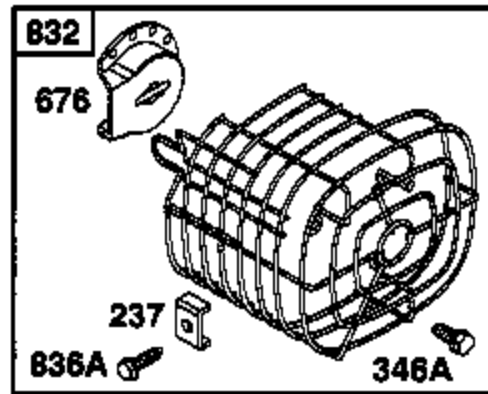
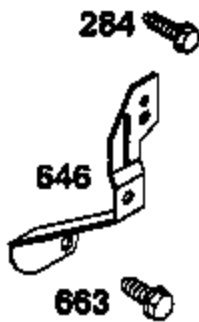
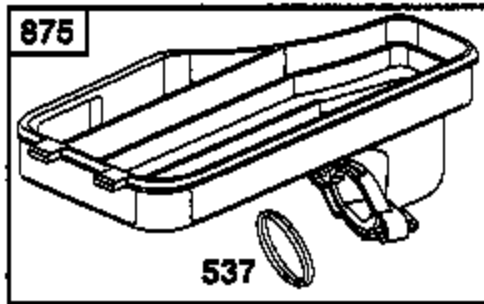
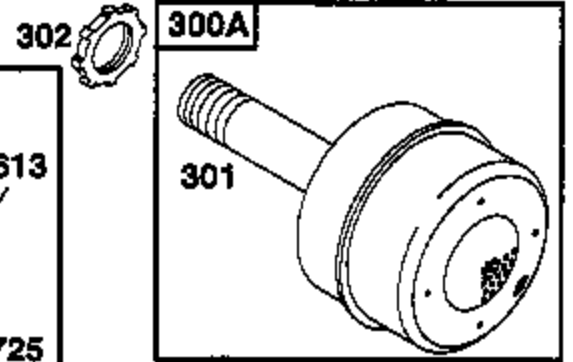
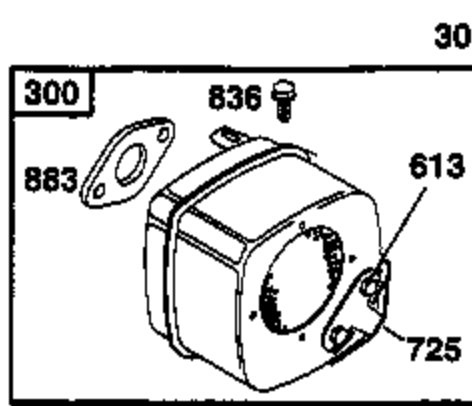
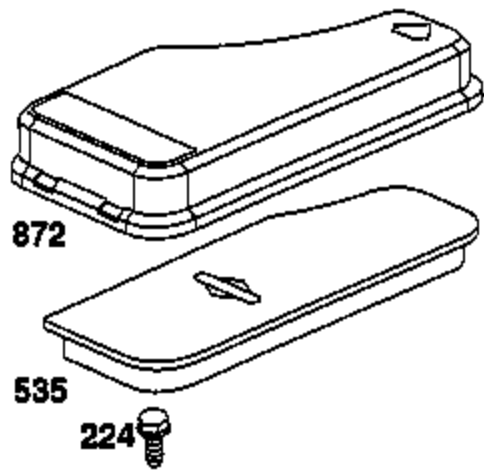
201	262767	Link-Governor
209	262784	Spring-Governor
		----- Note -----
		260695 Spring-Governor
		Used on Type No(s). 0121, 0126.
		260871 Spring-Governor
		Used on Type No(s). 0101, 0103, 0113, 0128, 0139, 0140.
		261306 Spring-Governor
		Used on Type No(s). 0115, 0117, 0118, 0119, 0120, 0124, 0130.
		260695 Spring-Governor
		Used on Type No(s). 0125.
216	262766	Link-Choke
216A	262778	Link-Choke
222	495611	Plate-Control
222A	494041	Plate-Control
227	493935	Lever-Governor
230	94742	Washer-Flat
232	262785	Spring-Link
258	94620	Screw-Hex.
265	221535	Clamp-Casing
268	65616	Casing-Control Wire (Cut to Required Length)
269	26633	Wire-Control (Cut to Required Length)
270	63426	Locknut-Casing
271	290568	Lever-Control
346	94896	Screw-Hex.
353	92791	Washer-Lock
354	90576	Nut-Hex.
507	398525	Insulator Assembly
520	93722	Terminal-Spade
562	94907	Bolt-Governor Lever
592	231978	Nut-Hex.
614	93306	Pin-Cotter
616	495157	Crank-Governor
621	396847	Switch-Stop
657	94906	Screw-Hex.
1012	280414	Retainer-Link



333	398811	Armature-Magneto
334	94731	Screw-Hex.
356	399223	Wire-Stop
356A	494328	Wire-Stop
474	393474	Alternator (Dual Circuit)
474A	391529	Alternator
482	93621	Screw-Hex.
851	493880	Terminal-Cable
877	393456	Wire-Alternator
877A	393814	Wire-Alternator
878	393362	Harness-Alternator
878A	393422	Harness-Alternator

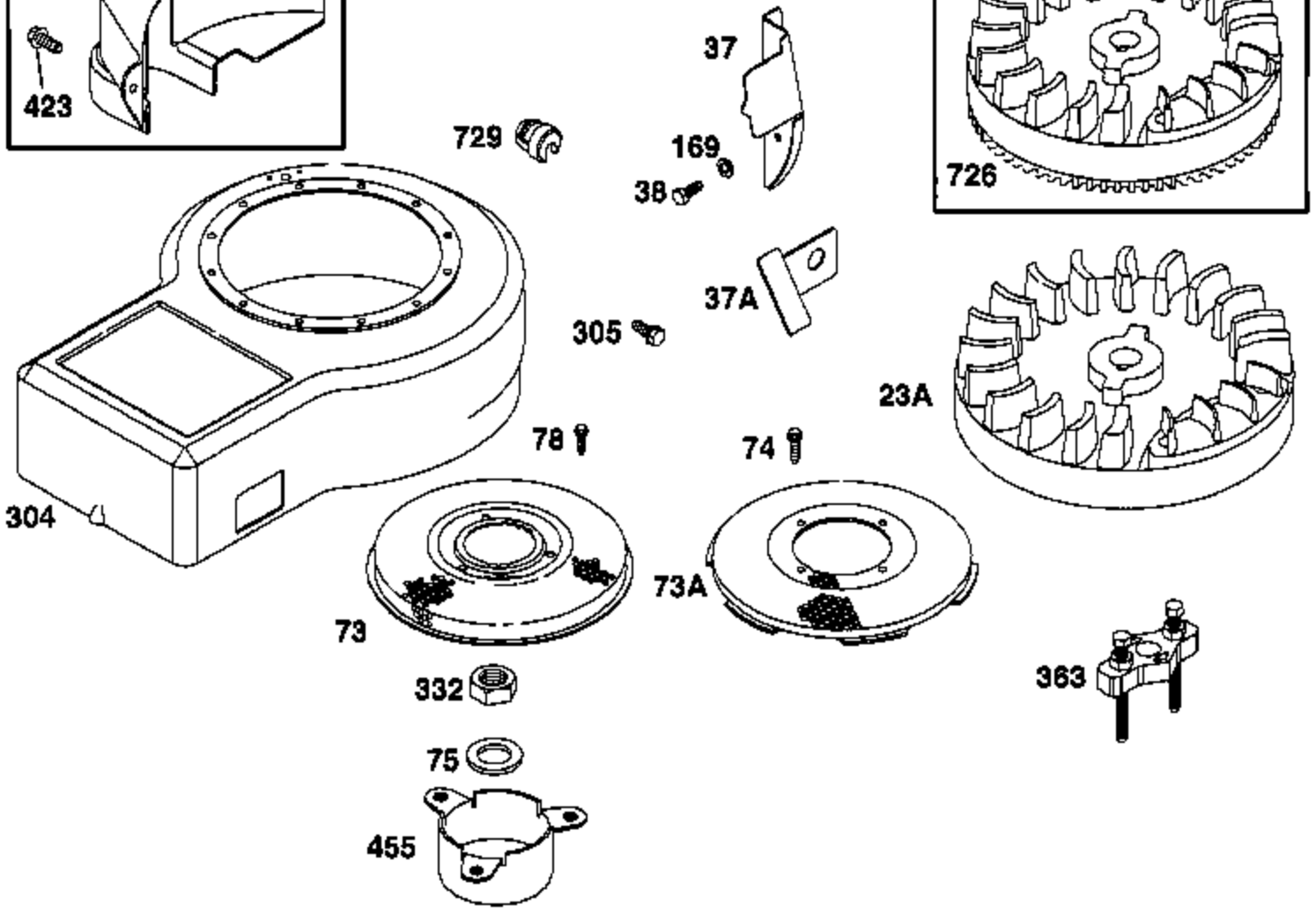
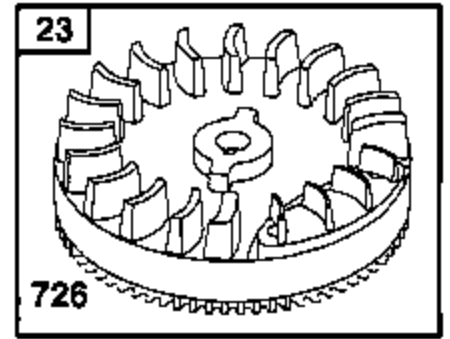
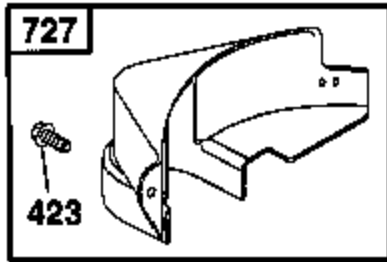


169A	90832	Washer-Lock
180	390225	Tank-Fuel
181	493988	Cap-Fuel Tank
182	222980	Bracket-Fuel Tank
182A	222979	Bracket-Fuel Tank
183	496853	Strap-Fuel Tank
183A	496852	Strap-Fuel Tank
184	94286	Screw-Hex.
185	90970	Nut-Square
187	299146	Line-Fuel (Cut to Required Length)
188	93634	Screw-Hex. (Used on Engines With Electric Start) ----- Note ----- 94627 Screw-Hex. (Used on Engines With Rewind Start Only)
240	298090	Filter-Fuel ----- Note ----- 394358 Filter-Fuel Used on Type No(s). 0123, 0140.
277	22776	Washer-Flat (Used on Engines With Electric Start) ----- Note ----- 22963 Washer-Flat (Used on Engines With Rewind Start Only)
601	93053	Clamp-Hose
725A	222175	Shield-Heat
958	495960	ValveShutoff





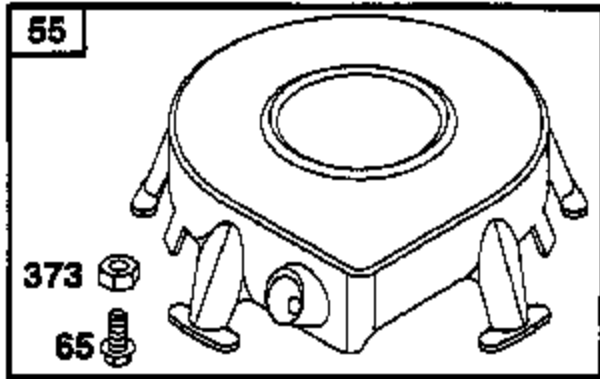
224	94513	Screw-Hex.
237	222379	Retainer-Guard
284	94704	Screw-Hex.
300	491413	Muffler-Exhaust
300A	391569	Muffler-Exhaust
301	93768	Pipe-Muffler
302	261564	Locknut-Muffler
303	91308	Elbow-Exhaust
346	94896	Screw-Hex.
346A	93587	Screw-Hex.
535	272922	Filter-A/C Foam
537	*281106	Seal-O-Ring
613	93927	Screw-Shoulder
646	224546	Bracket-Support
663	94620	Screw-Hex.
676	393761	Deflector-Muffler
676A	396903	Deflector-Muffler
725	223023	Shield-Heat
832	398247	Guard-Muffler
836	94513	Screw-Hex.
836A	94887	Screw-Hex.
872	281108	Cover-Air Cleaner
875	494745	Base-Air Cleaner
883	*272293	Gasket-Exhaust



23	391988	Flywheel
23A	392157	Flywheel
37	224886	Guard-Flywheel
37A	224871	Guard-Flywheel
38	94811	Screw-Hex.
73	224517	Screen-Rotating
73A	224874	Screen-Rotating
74	93758	Screw-Hex.
75	225136	Washer-Spring
78	94626	Screw-Hex
169	93713	Washer-Lock
304	496440	Housing-Blower
305	94786	Screw-Hex.
332	94877	Nut-Flywheel
363	19203	Puller-Flywheel
423	94625	Screw-Shoulder
455	222561	Cup-Flywheel
726	392134	Gear-Ring (Includes Mounting Hardware)
727	395405	Cover-Starter
729	281159	Clip-Wire

608

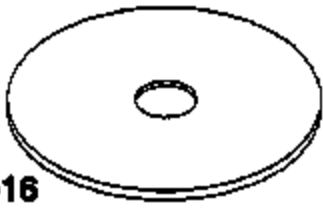
55



655



1016



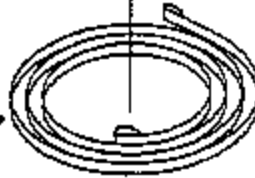
63



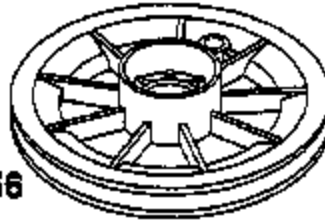
64



57



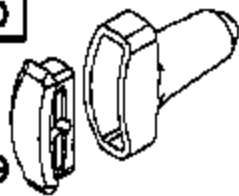
56



58



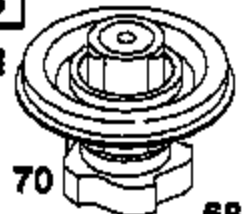
60



59

66

71



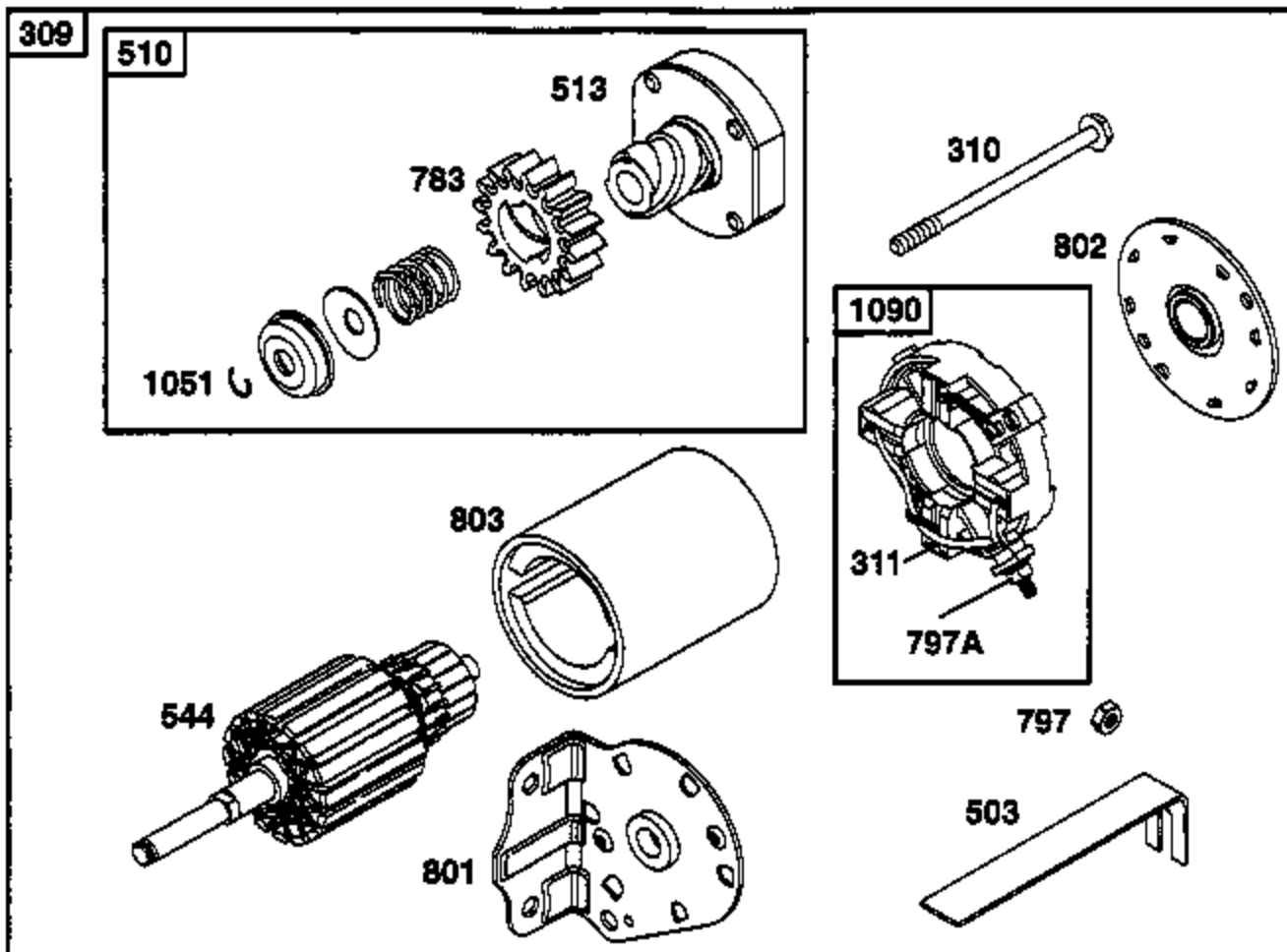
70

68

67



55	393576	Housing-Rewind Starter
56	295871	Pulley-Starter
57	490179	Spring-Rewind Starter
58	66884	Rope-Rewind Starter (63" Long)
59	490653	Insert-Grip
60	490652	Grip-Starter Rope
63	260414	Spring-Ratchet
64	281204	Adapter-Spring
65	94128	Screw-Hex.
66	399671	Clutch-Starter
67	394897	Housing-Clutch
68	63770	Ball-Clutch
70	298799	Ratchet-Clutch
71	394506	Washer-Retainer
373	92987	Nut-Hex.
608	390391	Starter-Rewind
655	222598	Anchor-Spring
1016	490817	Spacer



309	497595	Motor-Starter
310	94003	Bolt (Starter Motor)
311	497608	Brush Set
503	806000	Strap-Starter
510	497606	Drive-Starter
513	398003	Clutch-Drive
544	497603	Armature-Starter 697 94773 Screw (Starter Motor Mounting) 729A 225170 Clip-Wire
783	693058	Gear-Starter
797	92278	Nut (Starter Terminal)
797A	693167	Nut (Starter Terminal)
801	497626	Cap-Drive
802	497607	Cap-End
803	497604	Housing-Starter
1051	263080	Ring-Retaining
1090	497605	Retainer-Brush

309A

NOTE: For Replacement Starter Motor,  
See Ref. 309, Previous Page

510A

513

876

783

310

803A

802A

311A

797A

834

797

801A

544A

697

926

1003

729B

311B

797A

797



309A Motor-Starting  
(For Replacement  
Starter Motor, See Ref  
309, Previous Page.)

310 94003 Bolt  
(Starter Motor)  
(For 3 5/8" Housing  
Length)  
----- Note -----  
95035 Bolt  
(Starter Motor)  
(For 4 3/8" Housing  
Length)  
94169 Bolt  
(Starter Motor)  
(For 4 9/16" Housing  
Length)

311A 395538 Brush Set  
(For 3 5/8" Housing  
Length)

311B 490311 Brush Set  
(For 4 9/16 " Housing  
Length)

503 806000 Strap-Starter

510A 495878 Drive-Starter

513 398003 Clutch-Drive

544A 390837 Armature-Starter  
(For 3 5/8 " Housing  
Length)  
----- Note -----  
490309 Armature-  
Starter  
(For 4 3/8" Housing  
Length)

697 94627 Screw  
(Starter Motor  
Mounting)

729B 224723 Clip-Wire

783 693059 Gear-Starter

797 93715 Nut-Hex.  
(Starter Terminal)

797A 94010 Nut-Hex.  
(Starter Terminal)

801A 394856 Cap-Drive

802A 395537 Cap-End  
(For 3 5/8" Housing  
Length)  
----- Note -----  
494988 Cap-End  
(For 4 3/8" Housing  
Length)

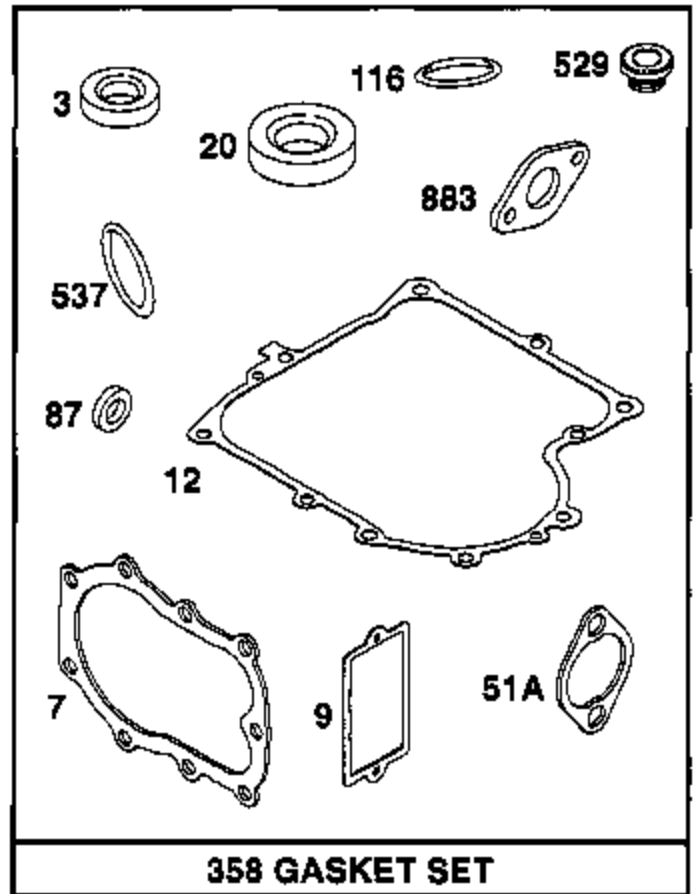
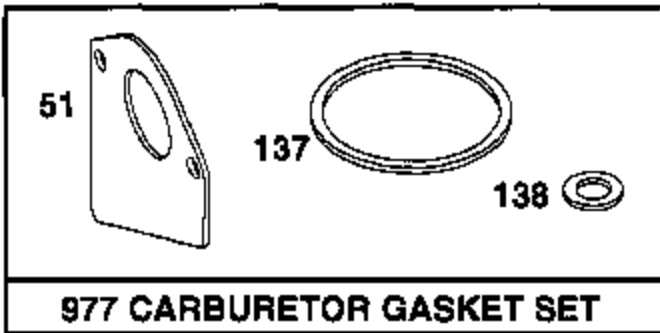
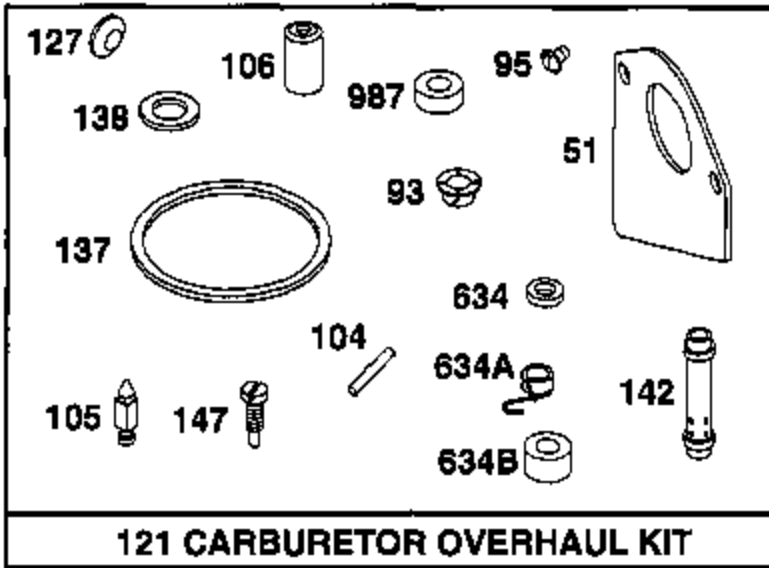
803A 398159 Housing-Starter  
(For 3 5/8" Housing  
Length)  
----- Note -----  
494205 Housing-  
Starter  
(For 4 9/16 " Housing  
Length)

896 94288 Pin-Roll

926 498233 Housing/Cap  
(For 4 9/16" Hsg.  
Length)

1003 490316 Spring-Brush  
(For 4 9/16" Hsg.)





3	*391086	Seal-Oil
7	*271866	Gasket-Cylinder Head
9	*27803	Gasket-Breather
12	*271702	Gasket-Crankcase Cover (.015" Thick, Standard) ----- Note ----- *270915 Gasket- Crankcase Cover (.005" Thick) *270916 Gasket- Crankcase Cover (.009" Thick)
20	*291675	Seal-Oil
51	*272554	Gasket-Intake
51A	*498869	Gasket-Carb. Mtg.
87	*491323	Seal-Gov. Shaft
93	.281346	Bushing-Throttle Shaft
95	.94098	Screw-Choke/Throttle
104	.231789	Pin-Float Hinge
105	.231855	Kit-Needle/Seat (Used After Code Date 92071900). ----- Note ----- .494788 Kit- Needle/Seat (Used Before Code Date 92072000).
106	.231854	Seat-Inlet (Used After Code Date 92071900). ----- Note ----- .280328 Seat-Inlet (Used Before Code Date 92072000).
116	*270920	Seal-O-Ring
121	495837	Carburetor Kit (Used After Code Date 92071900). ----- Note ----- 494882 Carburetor Kit (Used Before Code Date 92072000).
127	.	Plug-Welch (Sold in Kit Only)
137	*281165	Gasket-Float Bowl
138	*281164	Washer-Seal
142	.494878	Nozzle-Carburetor (Standard)
147	.497472	Jet-Pilot
358	393411	Gasket Set
529	*281370	Seal-Fill Tube
537	*281106	Seal-O-Ring
634	.281167	Seal-Throttle Shaft
634A	.494453	Seal-Spring Assy.
634B	.281168	Seal-Choke Shaft
883	*272293	Gasket-Exhaust
977	494385	Gasket Set-Carb.
987	.281166	Seal-Throttle Shaft

\* Included in Gasket Set-Part No.  
393411.

. Included in Carburetor Overhaul Kit-  
See Ref. 121.

[www.mymowerparts.com](http://www.mymowerparts.com)

• Included in Gasket Set-Part No.  
494385.