

250400 to 250499

Illustrated Parts List

Model Series

250400 to 250499

TYPE NUMBERS0101, 0172, 0173,
0401, 0503, 0515,
0526, 0571, 1003,
1015, 1026, 1071,
1101, 1117, 1118,
1135, 1136, 1167.**TO FIND****THE CORRECT NUMBER OF THE PART YOU NEED:
FOLLOW THE INSTRUCTIONS BELOW**

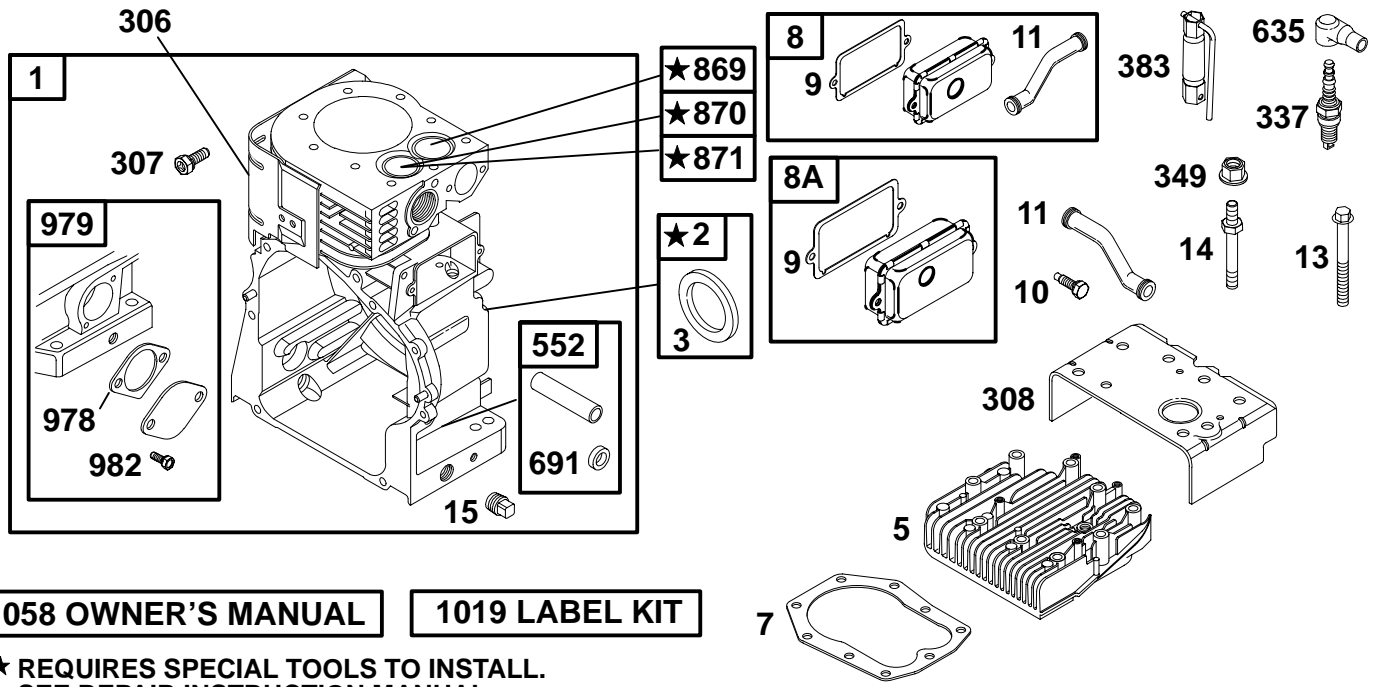
- A. Refer to Engine Model, Type and Code Number that is stamped on the blower housing of engine. Engine type numbers such as 0123 01 are listed only as 0123 in most instances. The two digits (01 or 02, etc.) to the right of the space may be required for more accurate parts identification in some instances. Select the Illustrated Parts List covering the correct Model Series and Type Number.
- B. Refer to the Illustrations and compare the original part with Illustration. The number next to the illustration is the Reference Number. Assemblies include all parts shown in frames. All parts shown in assembly frames having individual reference numbers can be purchased separately.
- C. After the Reference Number has been identified, refer to the Numerical text, where Reference and Primary Part Number are listed. **THE PRIMARY PART IS USED ON ALL TYPE NUMBERS EXCEPT THOSE TYPE NUMBERS UNDER "NOTE."**
- D. If a "Note" appears below the Primary Part Number, it means that this part differs from the Primary Part for certain types. If your Type number is listed under "Note," order the part referred to at the "Note."
- E. If your Engine Type Number does not appear after any part number listed under "Note," use the Primary Part Number.
- F. For Engine Type Numbers not covered by this book, check other Parts Lists having the same engine model or contact your source of supply.

PRINTED IN U.S.A.



COPYRIGHT by BRIGGS & STRATTON CORPORATION
All rights reserved. No part of this material may be reproduced or transmitted, in any form or by any means, electronic or mechanical, including photocopying, recording or by any information storage and retrieval system, without permission in writing from Briggs & Stratton Corporation.

250400 to 250499



1058 OWNER'S MANUAL

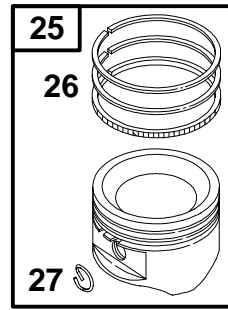
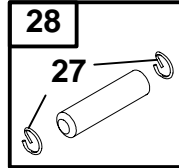
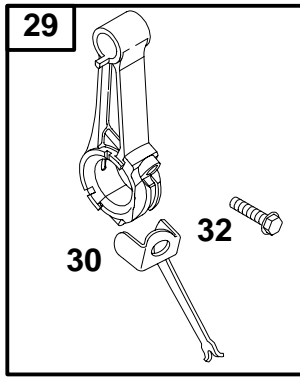
1019 LABEL KIT

★ **REQUIRES SPECIAL TOOLS TO INSTALL.
SEE REPAIR INSTRUCTION MANUAL.**

| REF. NO. | PART NO. | DESCRIPTION | REF. NO. | PART NO. | DESCRIPTION | REF. NO. | PART NO. | DESCRIPTION |
|----------|----------|--|----------|----------|---|----------|----------|--|
| 1 | 497411 | Cylinder Assembly Note 394699 Cylinder Assembly Used on Type No(s). 0101, 0172, 0173, 0503, 0515, 0526, 0571. | 11 | 280819 | Tube-Breather (Used After Code Date 95010100). Note 281426 Tube-Breather (Used Before Code Date 95010200). | 308 | 690491 | Cover-Cylinder Head |
| 2 | 399265 | Kit-Bushing/Seal (Magneto Side) | 13 | 94622 | Screw (Cylinder Head) | 337 | 802592 | Sparkplug |
| 3 | ★391086 | Seal-Oil (Magneto Side) | 14 | 94926 | Stud (Cylinder Head) | 349 | 691105 | Nut (Cylinder Head Cover) |
| 5 | 691154 | Head-Cylinder | | | Note 691109 Stud (Cylinder Head) (Used in positions 5&6) Used on Type No(s). 0101, 0173, 0401, 0515, 1015, 1101, 1136. | 383 | 89838 | Wrench-Sparkplug |
| 7 | ∅★271866 | Gasket-Cylinder Head | 15 | 94239 | Plug-Oil Drain (Square) Note 690289 Plug-Oil Drain (Magnetic) | 552 | 491893 | Bushing-Governor Crank |
| 8 | 498038 | Breather Assembly (Used After Code Date 95010100). | 306 | 690489 | Shield-Cylinder | 635 | 66538 | Boot-Sparkplug |
| 8A | 495724 | Breather Assembly (Used Before Code Date 95010200). | 307 | 94930 | Screw (Cylinder Shield) | 691 | 491323 | Seal-Governor Shaft |
| 9 | ∅★27803 | Gasket-Breather | | | | 869 | 261463 | Seat-Valve (Intake) |
| 10 | 691666 | Screw (Breather Assembly) | | | | 870 | 262924 | Seat-Valve (Exhaust) |
| | | | | | | 871 | 261961 | Bushing-Valve Guide (Exhaust) |
| | | | | | | 978 | ★273326 | Gasket-Oil Gard® |
| | | | | | | 979 | 691382 | Cover-Oil Gard® |
| | | | | | | 982 | 690351 | Screw (OIL GARD® Kit) |
| | | | | | | 1019 | 491195 | Kit-Label |
| | | | | | | 1058 | 274786 | Owner's Manual (Emission Engines) Note 272848 Owner's Manual (Non Emission Engines) |

★ Included in Engine Gasket Set-Ref. No. 358.
● Included in Carburetor Overhaul Kit-Ref. No. 121.

◆ Included in Carburetor Gasket Set-Ref. No. 977.
∅ Included in Valve Gasket Set-Ref. No. 1033.

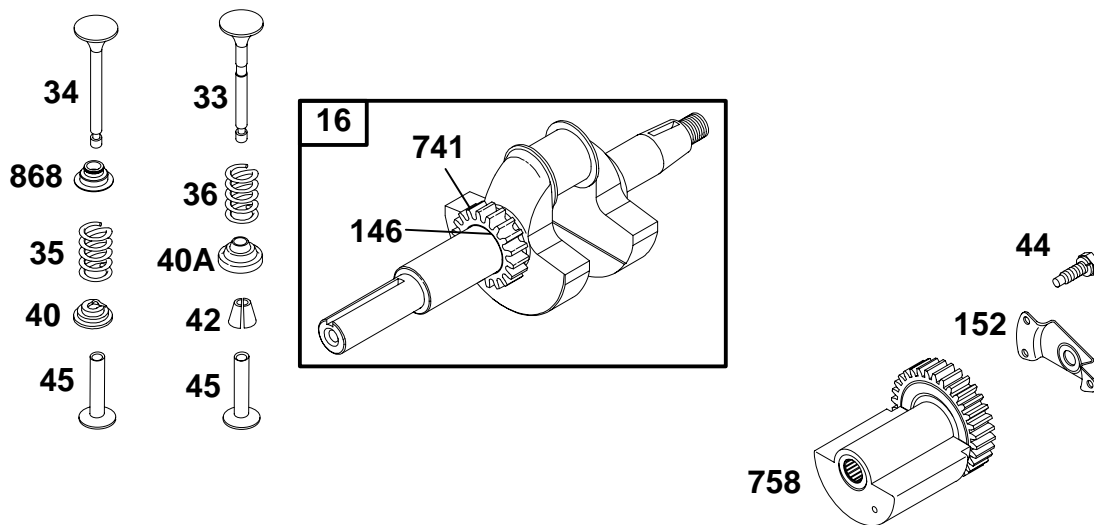


| REF. NO. | PART NO. | DESCRIPTION | REF. NO. | PART NO. | DESCRIPTION | REF. NO. | PART NO. | DESCRIPTION |
|----------|----------|---|----------|----------|---|----------|----------|---|
| 25 | 497551 | Piston Assembly (Standard) Note 499282 Piston Assembly (Standard) Used on Type No(s). 1003, 1015, 1026, 1071, 1135, 1167. <hr/> 497552 Piston Assembly (.010" O.S.) 499286 Piston Assembly (.010" O.S.) Used on Type No(s). 1003, 1015, 1026, 1071, 1135, 1167. <hr/> 497553 Piston Assembly (.020" O.S.) 499290 Piston Assembly (.020" O.S.) Used on Type No(s). 1003, 1015, 1026, 1071, 1135, 1167. <hr/> 497554 Piston Assembly (.030" O.S.) 499294 Piston Assembly (.030" O.S.) Used on Type No(s). 1003, 1015, 1026, 1071, 1135, 1167. | 26 | 497522 | Ring Set (Standard) Note 495854 Ring Set (Standard) Used on Type No(s). 1003, 1015, 1026, 1071, 1135, 1167. <hr/> 497523 Ring Set (.010" O.S.) 495852 Ring Set (.010" O.S.) Used on Type No(s). 1003, 1015, 1026, 1071, 1135, 1167. <hr/> 497524 Ring Set (.020" O.S.) 495851 Ring Set (.020" O.S.) Used on Type No(s). 1003, 1015, 1026, 1071, 1135, 1167. <hr/> 497525 Ring Set (.030" O.S.) 495855 Ring Set (.030" O.S.) Used on Type No(s). 1003, 1015, 1026, 1071, 1135, 1167. | 27 | 260924 | Lock-Piston Pin Note 691299 Lock-Piston Pin Used on Type No(s). 1003, 1015, 1026, 1071, 1135, 1167. <hr/> 28 299691 Pin-Piston (Standard) Note 498319 Pin-Piston (Standard) Used on Type No(s). 1003, 1015, 1026, 1071, 1135, 1167. <hr/> 391286 Pin-Piston (.005" O.S.) 498320 Pin-Piston (.005" O.S.) Used on Type No(s). 1003, 1015, 1026, 1071, 1135, 1167. <hr/> 29 490348 Rod-Connecting (Standard) Note 490469 Rod-Connecting (.020" Undersize) (Used After Code Date 99092000) Note 690405 Dipper-Connecting Rod (Used Before Code Date 99091900) <hr/> 30 694612 Dipper-Connecting Rod (Used After Code Date 99092000) <hr/> 32 691133 Screw (Connecting Rod) |

★ Included in Engine Gasket Set-Ref. No. 358.
 ● Included in Carburetor Overhaul Kit-Ref. No. 121.

◆ Included in Carburetor Gasket Set-Ref. No. 977.
 ⊗ Included in Valve Gasket Set-Ref. No. 1033.

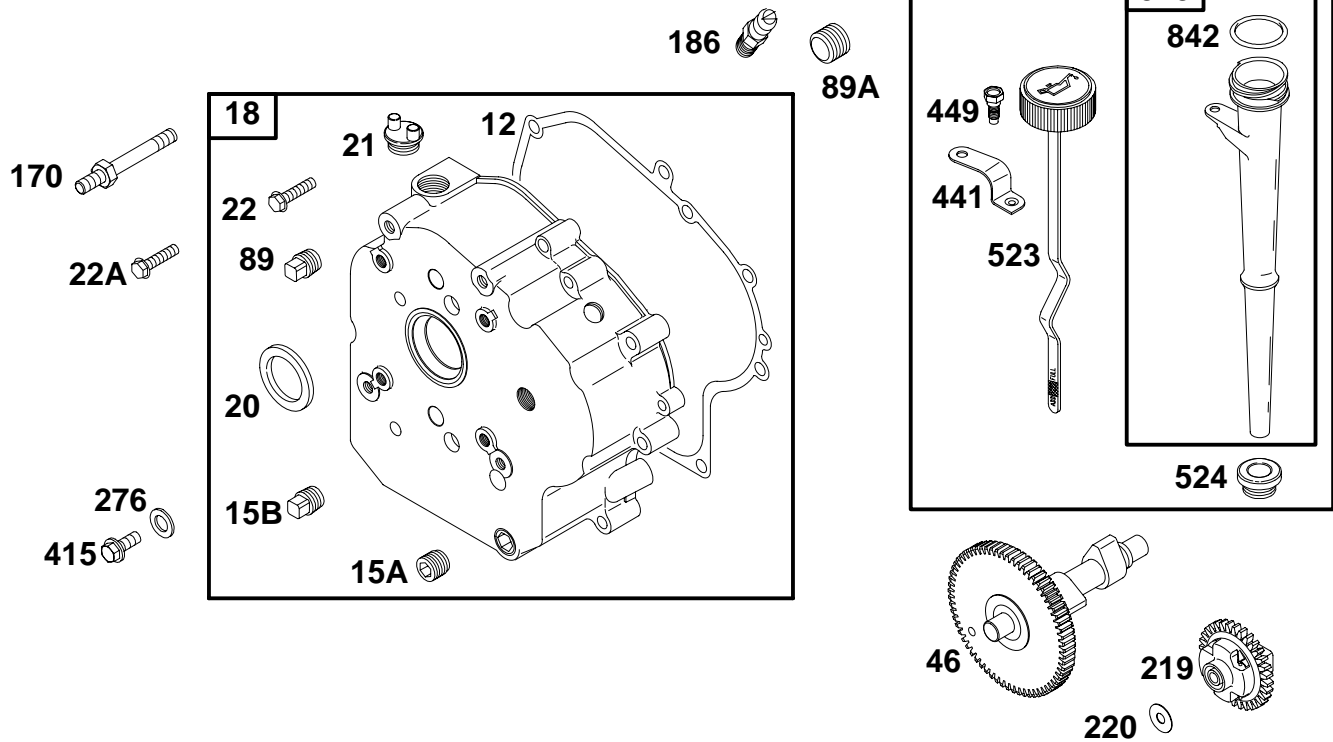
250400 to 250499



| REF. NO. | PART NO. | DESCRIPTION | REF. NO. | PART NO. | DESCRIPTION | REF. NO. | PART NO. | DESCRIPTION |
|----------|----------|---|----------|----------|---------------------------|----------|----------|-----------------------------------|
| 16 | 399723 | Crankshaft _____ Note _____ 491642 Crankshaft Used on Type No(s). 0571, 1071, 1118. 491644 Crankshaft Used on Type No(s). 0173, 0526, 1026, 1136, 1167. 491645 Crankshaft Used on Type No(s). 0172, 0503, 1003, 1117, 1135. | 33 | 261185 | Valve-Exhaust | 44 | 94621 | Screw (Counterweight Retainer) |
| | | | 34 | 261462 | Valve-Intake | 45 | 262248 | Tappet-Valve |
| | | | 35 | 65906 | Spring-Valve (Intake) | 146 | 94196 | Key-Timing |
| | | | 36 | 26828 | Spring-Valve (Exhaust) | 152 | 691172 | Retainer- Counterweight |
| | | | 40 | 221596 | Retainer-Valve | 741 | 691284 | Gear-Timing |
| | | | 40A | 292260 | Retainer-Valve | 758 | 691369 | Counterweight |
| | | | 42 | 494553 | Keeper-Valve | 868 | 497656 | Seal-Valve |

★ Included in Engine Gasket Set-Ref. No. 358.
 ● Included in Carburetor Overhaul Kit-Ref. No. 121.

◆ Included in Carburetor Gasket Set-Ref. No. 977.
 ⊗ Included in Valve Gasket Set-Ref. No. 1033.

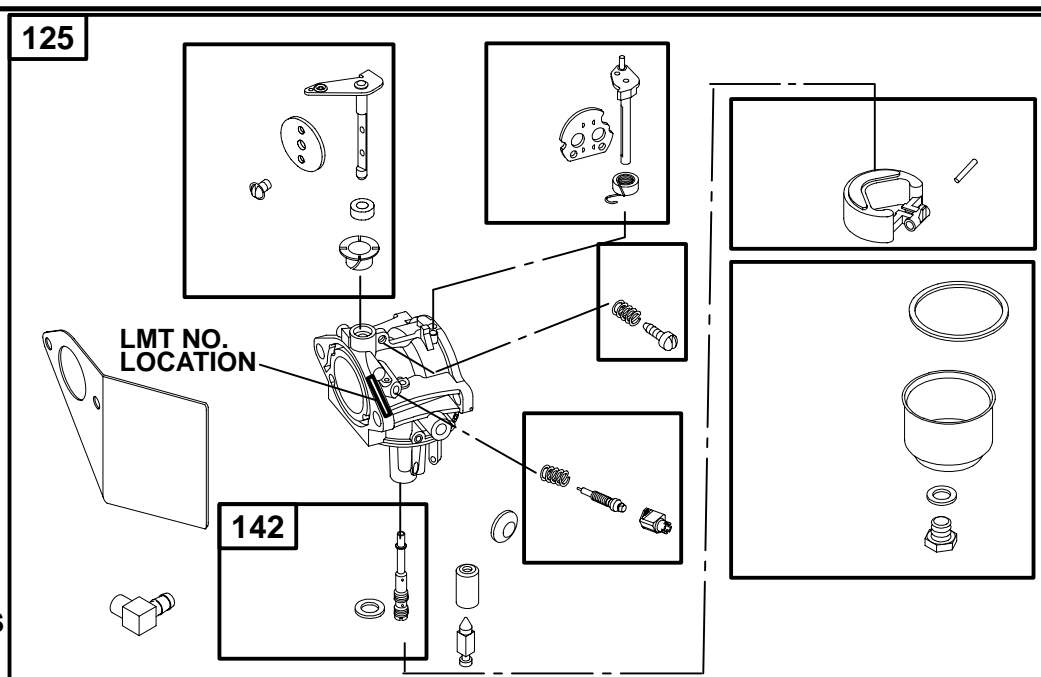


| REF. NO. | PART NO. | DESCRIPTION | REF. NO. | PART NO. | DESCRIPTION | REF. NO. | PART NO. | DESCRIPTION |
|----------|----------|--|----------|----------|---|----------|----------|--------------------------|
| 12 | ★272125 | Gasket-Crankcase (.015" Thick) | 20 | ★291675 | Seal-Oil (PTO Side) | 220 | 221551 | Washer (Governor Gear) |
| | | Note | 21 | 281658 | Cap-Oil Fill | 276 | 690258 | Washer-Sealing |
| | | ★272219 Gasket-Crankcase (.005" Thick) | 22 | 93585 | Screw (Crankcase Cover) | 415 | 690304 | Plug |
| | | ★272220 Gasket-Crankcase (.009" Thick) | 22A | 694966 | Screw (Crankcase Cover) (Use in Position 7) | 441 | 691217 | Bracket-Oil Fill |
| 15A | 94880 | Plug-Oil Drain (Recessed Square) | 46 | 692123 | Camshaft | 449 | 691130 | Screw (Oil Fill Bracket) |
| 15B | 690283 | Plug-Oil Drain (Square Head) | 89 | 94916 | Plug-Oil | 523 | 497213 | Dipstick |
| 18 | 496985 | Cover-Crankcase | 89A | 690343 | Plug-Oil | 524 | ★281370 | Seal-Dipstick Tube |
| | | | 170 | 94931 | Stud (Crankcase Cover) | 525 | 691389 | Tube-Dipstick |
| | | | 186 | 230318 | Connector-Hose | 842 | ★270920 | O-Ring Seal |
| | | | 219 | 496786 | Gear-Governor | 847 | 497459 | Dipstick/Tube Assembly |

★ Included in Engine Gasket Set-Ref. No. 358.
● Included in Carburetor Overhaul Kit-Ref. No. 121.

◆ Included in Carburetor Gasket Set-Ref. No. 977.
⊙ Included in Valve Gasket Set-Ref. No. 1033.

250400 to 250499

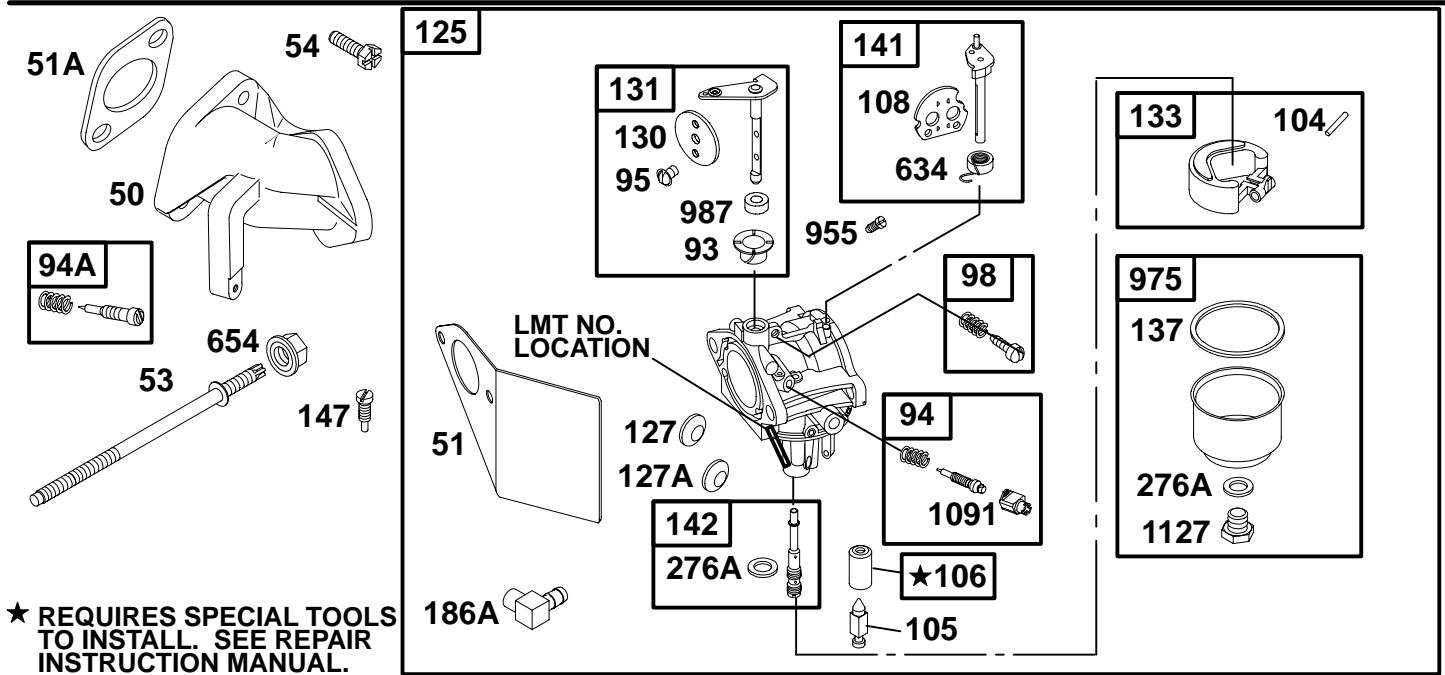


★ **REQUIRES SPECIAL TOOLS TO INSTALL. SEE REPAIR INSTRUCTION MANUAL.**

| REF. NO. | PART NO. | DESCRIPTION | REF. NO. | PART NO. | DESCRIPTION | REF. NO. | PART NO. | DESCRIPTION | |
|----------|----------|---|----------|----------|--|----------|----------|-------------|---|
| 125 | 695501 | Carburetor (Used After Code Date 00030800). Used on Type No(s). 1003, 1026, 1071, 1101, 1135, 1136, 1167. —— Note —— 690144 Carburetor (Used Before Code Date 00030900). Used on Type No(s). 0101, 0172, 0173, 0503, 0515, 0526, 0571, 1003, 1015, 1026, 1011, 1135, 1136, 1167. 695503 Carburetor (Used After Code Date 00030800). Used on Type No(s). 1117, 1118. 693356 Carburetor (Used Before Code Date 00030900). Used on Type No(s). 1117, 1118. | 142 | 695835 | Nozzle—Carburetor (Standard) (Used After Code Date 00030800). Used on Type No(s). 1003, 1026, 1071, 1101, 1117, 1118, 1135, 1136, 1167. —— Note —— 690145 Nozzle— Carburetor (Standard) (Used Before Code Date 00030900). Used on Type No(s). 1003, 1015, 1026, 1071, 1101, 1117, 1118, 1135, 1136, 1167. ●497448 Nozzle— Carburetor (Standard) (Used Before Code Date 00030900). Used on Type No(s). 0101, 0172, 0173, 0503, 0515, 0526, 0571. | | | | 695836 Nozzle— Carburetor (High Altitude) (Used After Code Date 00030800). Used on Type No(s). 1003, 1026, 1071, 1101, 1117, 1118, 1135, 1136, 1167. 499744 Nozzle— Carburetor (High Altitude) (Used Before Code Date 00030900). Used on Type No(s). 1003, 1015, 1026, 1071, 1117, 1118, 1135, 1136, 1167. 497449 Nozzle— Carburetor (High Altitude) Used on Type No(s). 0101, 0172, 0173, 0503, 0515, 0526, 0571. |

★ Included in Engine Gasket Set—Ref. No. 358.
● Included in Carburetor Overhaul Kit—Ref. No. 121.

◆ Included in Carburetor Gasket Set—Ref. No. 977.
⊗ Included in Valve Gasket Set—Ref. No. 1033.



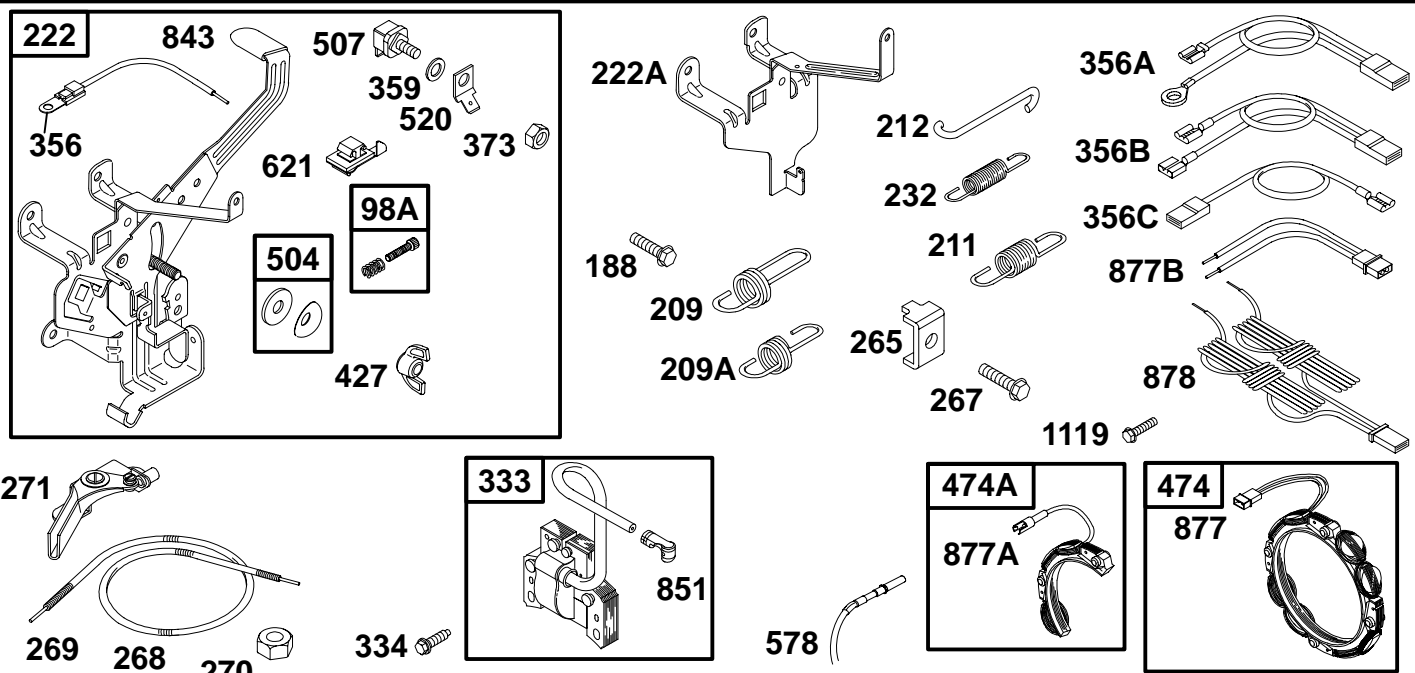
★ REQUIRES SPECIAL TOOLS TO INSTALL. SEE REPAIR INSTRUCTION MANUAL.

| REF. NO. | PART NO. | DESCRIPTION | REF. NO. | PART NO. | DESCRIPTION | REF. NO. | PART NO. | DESCRIPTION |
|----------|----------|---|----------|----------|---|----------|----------|--|
| 50 | 691157 | Manifold-Intake | 104 | ●690525 | Pin-Float Hinge | 276A | 692255 | Washer-Sealing (Used After Code Date 00030800). |
| 51 | ●272708 | Gasket-Intake | 105 | ●231935 | Valve-Float Needle | | | ————— Note ————— |
| 51A | ∅★272707 | Gasket-Intake | 106 | 231854 | Seat-Inlet (Used After Code Date 98060100). | | | ●●281164 Washer-Sealing (Used Before Code Date 00030900). |
| 53 | 94778 | Stud (Carburetor) | | | ————— Note ————— | 634 | ●690802 | Spring/Seal Assembly |
| 54 | 94913 | Screw (Intake Manifold) | | | ●231856 Seat-Inlet (Used Before Code Date 98060200). | 654 | 94010 | Nut (Carburetor) |
| 93 | ●690602 | Bushing-Throttle Shaft | 108 | 690467 | Valve-Choke | 955 | 695659 | Plug-Carburetor (Used After Code Date 00030800). |
| 94 | 498030 | Kit-Idle Mixture | 125 | | See Previous Page | 975 | 495933 | Bowl-Float |
| 94A | 496589 | Kit-Idle Mixture (Used on LMT 175) | 127 | ●695005 | Plug-Welch | 987 | ●691326 | Seal-Throttle Shaft |
| | | ————— Note ————— | 127A | 694524 | Plug-Welch (Used After Code Date 00030800). | 1091 | 691333 | Cap-Limiter |
| | | 494383 Kit-Idle Mixture (Used on LMT 71, 101) | | | | 1127 | 691657 | Screw (Float Bowl) (Used After Code Date 00030800). |
| 95 | 691636 | Screw (Throttle Valve) (Used After Code Date 00030800). | 130 | 224539 | Valve-Throttle | | | ————— Note ————— |
| | | ————— Note ————— | 131 | 497846 | Kit-Throttle Shaft | | | 94642 Screw (Float Bowl) (Used Before Code Date 00030900). |
| | | ●94098 Screw (Throttle Valve) (Used Before Code Date 00030900). | 133 | 494381 | Float-Carburetor | | | |
| 98 | 495800 | Kit-Idle Speed | 137 | ●●281165 | Gasket-Float Bowl | | | |
| | | | 141 | 497160 | Kit-Choke Shaft | | | |
| | | | 142 | | See Previous Page | | | |
| | | | 147 | ●497472 | Jet-Pilot (Used on LMT 71, 101) | | | |
| | | | 186A | 493496 | Connector-Hose | | | |

★ Included in Engine Gasket Set-Ref. No. 358.
● Included in Carburetor Overhaul Kit-Ref. No. 121.

◆ Included in Carburetor Gasket Set-Ref. No. 977.
∅ Included in Valve Gasket Set-Ref. No. 1033.

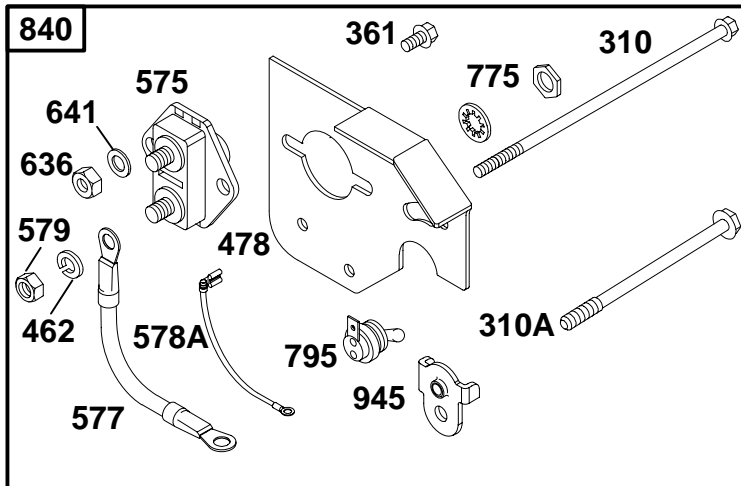
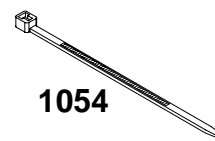
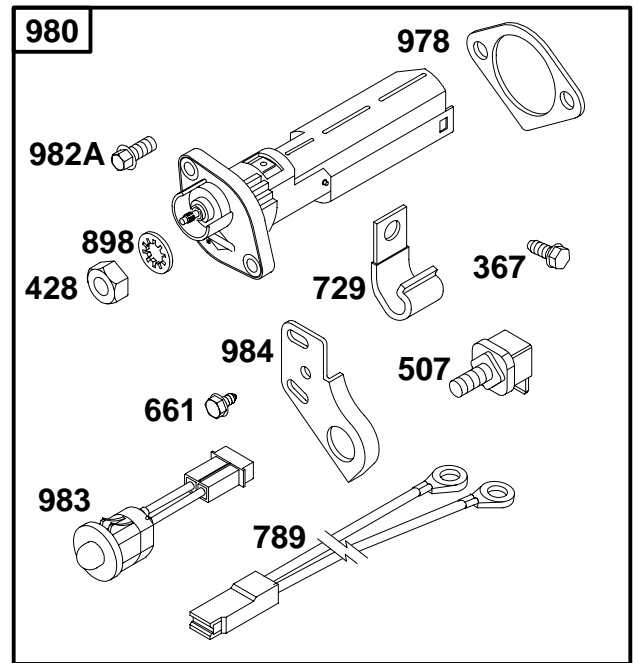
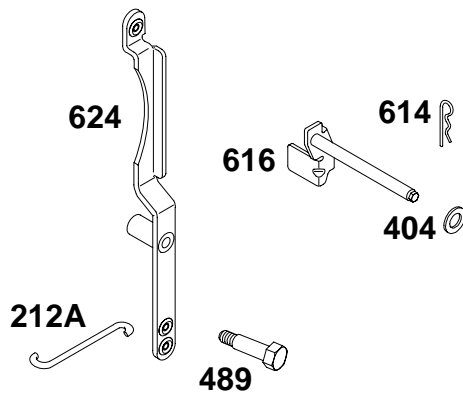
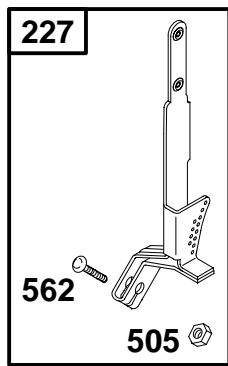
250400 to 250499



| REF. NO. | PART NO. | DESCRIPTION | REF. NO. | PART NO. | DESCRIPTION | REF. NO. | PART NO. | DESCRIPTION |
|----------|----------|--|----------|----------|--|----------|----------|------------------------------|
| 98A | 493280 | Kit-Idle Speed | 222 | 691479 | Bracket-Control (Used After Code Date 97042700). | 356 | 691408 | Wire-Stop |
| 188 | 94929 | Screw (Control Bracket) | | | Note | 356A | 491391 | Wire-Stop |
| 209 | 692910 | Spring-Governor (Used After Code Date 97042700). | | | 691481 Bracket-Control (Used After Code Date 97042700). Used on Type No(s). 0172, 0503, 0571, 1003, 1071, 1117, 1118, 1135. | 356B | 398838 | Wire-Stop |
| | | Note | | | 499723 Bracket-Control (Used Before Code Date 97042800). | 356C | 491927 | Wire-Stop |
| | | 692905 Spring-Governor (Used After Code Date 97042700). Used on Type No(s). 0172, 0503, 0571, 1003, 1071, 1117, 1118, 1135. | 222A | 693348 | Bracket-Control | 359 | 691077 | Washer (Ground Terminal) |
| 209A | 263055 | Spring-Governor (Used Before Code Date 97042800). | 232 | 263020 | Spring-Governor Link | 373 | 90576 | Nut (Ground Terminal) |
| 211 | 692912 | Spring-Governed Idle (Used After Code Date 97042700). | 265 | 221535 | Clamp-Casing | 427 | 690355 | Nut (Control Bracket) |
| 212 | 263049 | Link-Throttle | 267 | 690804 | Screw (Casing Clamp) | 474 | 393474 | Alternator (Dual Circuit) |
| | | | 268 | 65616 | Casing-Control Wire (Cut to Required Length) | 474A | 391529 | Alternator (DC Only) |
| | | | 269 | 26633 | Wire-Control (Cut to Required Length) | 504 | 495659 | Washer Set-Friction |
| | | | 270 | 63426 | Nut (Control Wire Casing) | 507 | 398525 | Insulator |
| | | | 271 | 290568 | Lever-Control | 520 | 691084 | Terminal-Ground |
| | | | 333 | 398811 | Armature-Magneto | 578 | 393422 | Wire Assembly (DC Only) |
| | | | 334 | 94731 | Screw (Magneto Armature) | 621 | 396847 | Switch-Stop |
| | | | | | | 843 | 691322 | Sleeve-Lever |
| | | | | | | 851 | 493880 | Terminal-Sparkplug |
| | | | | | | 877 | 393456 | Wire/Connector-Alternator |
| | | | | | | 877A | 393814 | Wire/Connector-Alternator |
| | | | | | | 877B | 399916 | Wire/Connector-Alternator |
| | | | | | | 878 | 393362 | Harness-Alternator |
| | | | | | | 1119 | 93621 | Screw (Alternator) |

★ Included in Engine Gasket Set-Ref. No. 358.
● Included in Carburetor Overhaul Kit-Ref. No. 121.

◆ Included in Carburetor Gasket Set-Ref. No. 977.
⊗ Included in Valve Gasket Set-Ref. No. 1033.

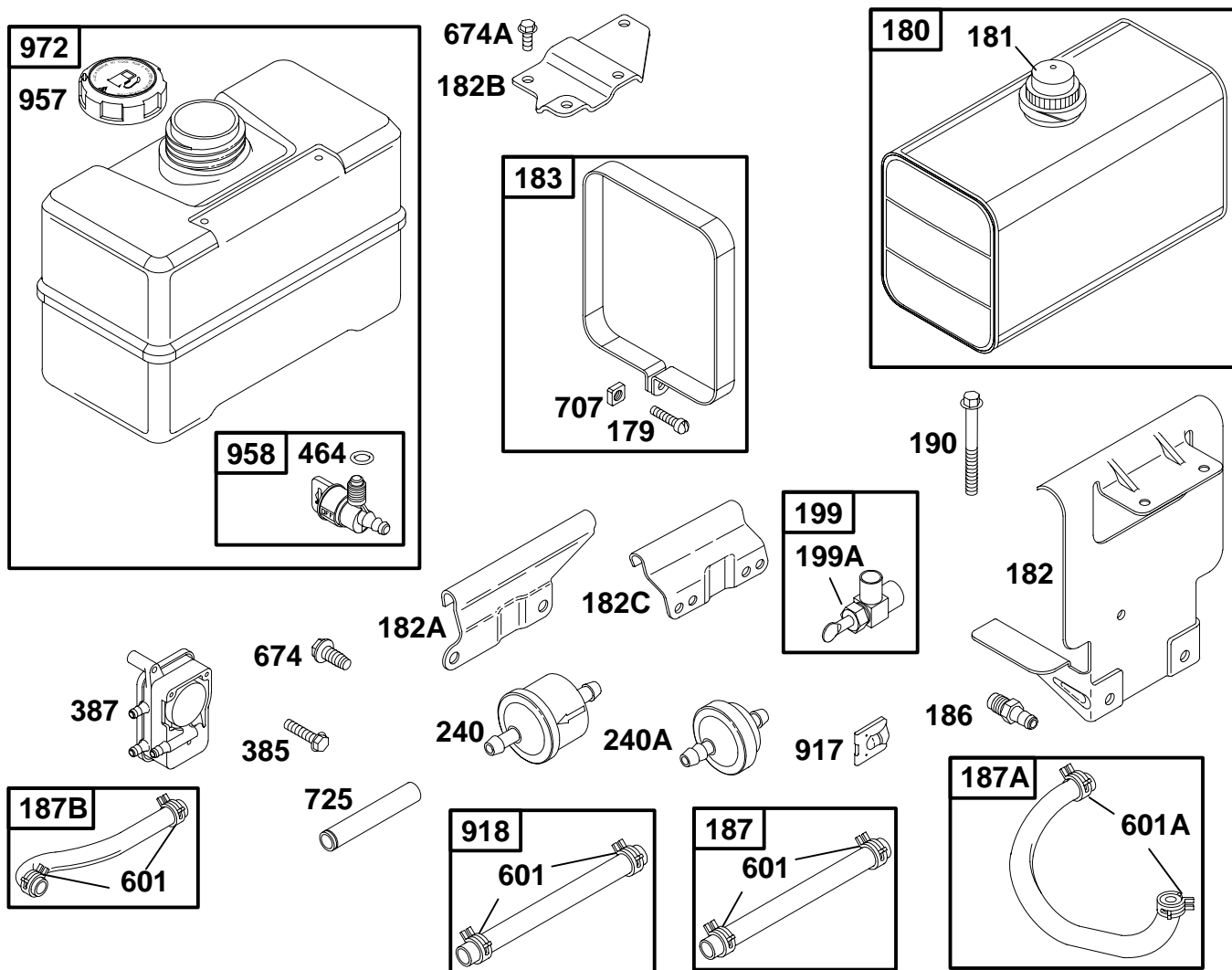


| REF. NO. | PART NO. | DESCRIPTION | REF. NO. | PART NO. | DESCRIPTION | REF. NO. | PART NO. | DESCRIPTION |
|----------|----------|--|----------|----------|--|----------|----------|------------------------------------|
| 212A | 691294 | Link-Throttle | 462 | 691075 | Washer (Starter Cable) | 636 | 92278 | Nut (Starting Switch) |
| 227 | 692143 | Lever-Governor Control (Used After Code Date 97042700). | 478 | 395410 | Panel | 641 | 690282 | Washer (Starting Switch) |
| | | Note _____ | 489 | 231520 | Screw (Linkage Lever) | 661 | 94896 | Screw (OIL GARD® Light Bracket) |
| | | 496254 Lever-Governor Control (Used Before Code Date 97042800). | 505 | 231082 | Nut (Governor Control Lever) | 729 | 690430 | Clip-Wire |
| 310 | 690323 | Bolt (Starter Motor) | 507 | 398525 | Insulator | 775 | 690315 | Nut (Toggle Switch) |
| 310A | 692329 | Bolt (Starter Motor) | 562 | 92613 | Bolt (Governor Control Lever) | 789 | 398661 | Harness-Wiring |
| 361 | 93415 | Screw (Starting Switch) | 575 | 299139 | Switch-Starting | 795 | 496590 | Switch-Toggle |
| 367 | 94786 | Screw (Wire Clip) | 577 | 690630 | Cable-Starter | 840 | 395408 | Kit-Panel |
| 404 | 94927 | Washer (Governor Crank) | 578A | 690647 | Wire Assembly (Starting Switch to Ground Wire Terminal) | 898 | 691077 | Washer (OIL GARD® Kit) |
| 428 | 90576 | Nut (OIL GARD® Kit) | 579 | 92278 | Nut (Starter Cable) | 945 | 223159 | Bracket-Starter Motor |
| | | | 614 | 93306 | Pin-Cotter | 978 | ★273326 | Gasket-Oil Gard® |
| | | | 616 | 691407 | Crank-Governor | 980 | 398182 | Kit-Oil Gard® |
| | | | 624 | 691415 | Lever-Linkage | 982A | 690350 | Screw (OIL GARD® Kit) |
| | | | | | | 983 | 398660 | Light-Indicator |
| | | | | | | 984 | 692340 | Bracket-Oil Gard® Light |
| | | | | | | 1054 | 280275 | Tie-Cable |

★ Included in Engine Gasket Set-Ref. No. 358.
● Included in Carburetor Overhaul Kit-Ref. No. 121.

◆ Included in Carburetor Gasket Set-Ref. No. 977.
⊙ Included in Valve Gasket Set-Ref. No. 1033.

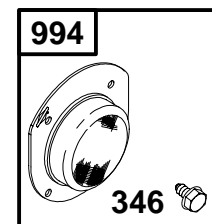
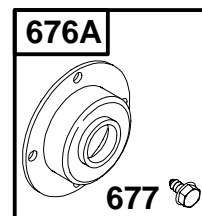
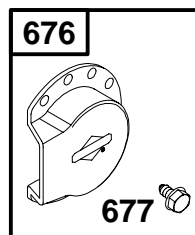
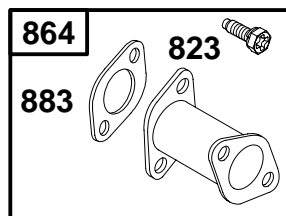
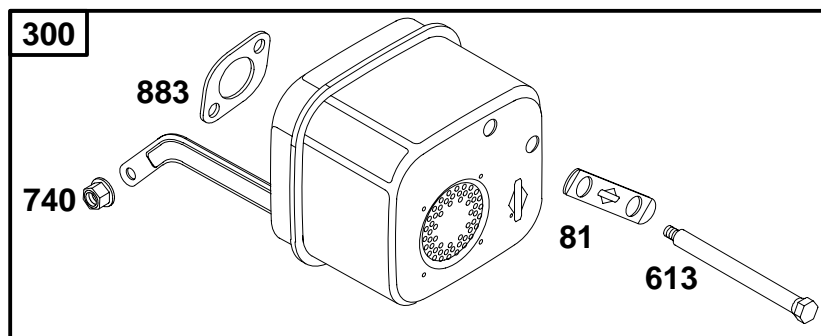
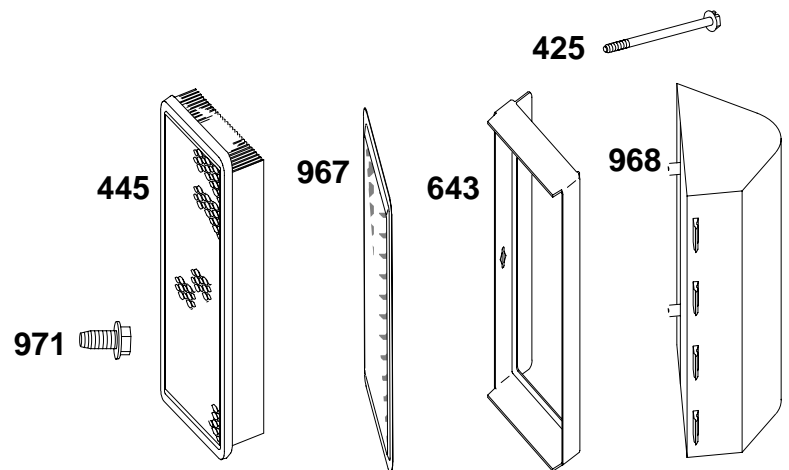
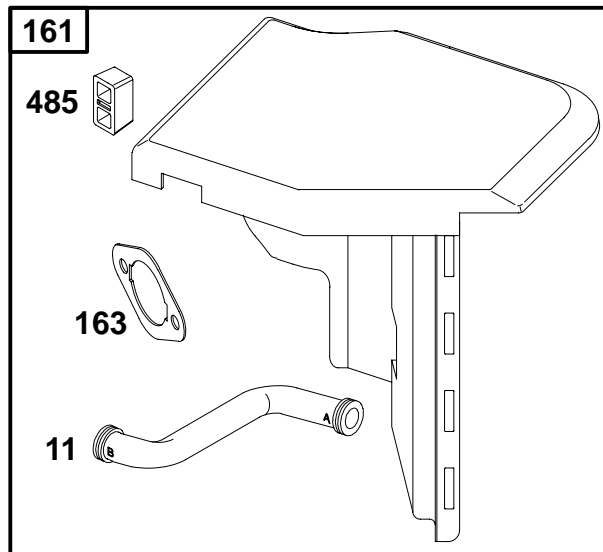
250400 to 250499



| REF. NO. | PART NO. | DESCRIPTION | REF. NO. | PART NO. | DESCRIPTION | REF. NO. | PART NO. | DESCRIPTION |
|----------|----------|--|----------|----------|--|----------|----------|----------------------------------|
| 179 | 690280 | Screw (Fuel Tank Strap) | 187B | 691049 | Line–Fuel | 674 | 94627 | Screw (Fuel Tank Bracket) |
| 180 | 291488 | Tank–Fuel | 190 | 94622 | Screw (Fuel Tank) | 674A | 94095 | Screw (Fuel Tank Bracket) |
| 181 | 392305 | Cap–Fuel Tank | 199 | 297563 | Valve–Fuel Shut Off (Metal) | 707 | 690279 | Nut (Fuel Tank Strap) |
| 182 | 691200 | Bracket–Fuel Tank (Bottom) | 199A | 293934 | Valve–Fuel Shut Off (Fuel Shut Off Valve) | 725 | 690403 | Shield–Heat |
| 182A | 690487 | Bracket–Fuel Tank (Bottom) | 240 | 493629 | Filter–Fuel | 917 | 223271 | Handle–Shut Off Valve |
| 182B | 691199 | Bracket–Fuel Tank (Top) | 240A | 298090 | Filter–Fuel | 918 | 393815 | Hose–Vacuum |
| 182C | 694592 | Bracket–Fuel Tank (Bottom) | 385 | 94789 | Screw (Fuel Pump) | 957 | 493988 | Cap–Fuel Tank (Plastic) |
| 183 | 291490 | Strap–Fuel Tank | 387 | 496257 | Pump–Fuel | 958 | 399517 | Valve–Fuel Shut Off (Plastic) |
| 186 | 230318 | Connector–Hose | 464 | 280203 | O–Ring Seal (Fuel Shut Off Valve) | 972 | 493337 | Tank–Fuel (4 Quart) |
| 187 | 296004 | Line–Fuel (Cut to Required Length) | 601 | 95162 | Clamp–Hose (Green) | | | Note |
| 187A | 497029 | Line–Fuel (Molded) | 601A | 93807 | Clamp–Hose (Black) | | | 695164 Tank–Fuel (6 Quart) |

★ Included in Engine Gasket Set–Ref. No. 358.
● Included in Carburetor Overhaul Kit–Ref. No. 121.

◆ Included in Carburetor Gasket Set–Ref. No. 977.
⊙ Included in Valve Gasket Set–Ref. No. 1033.

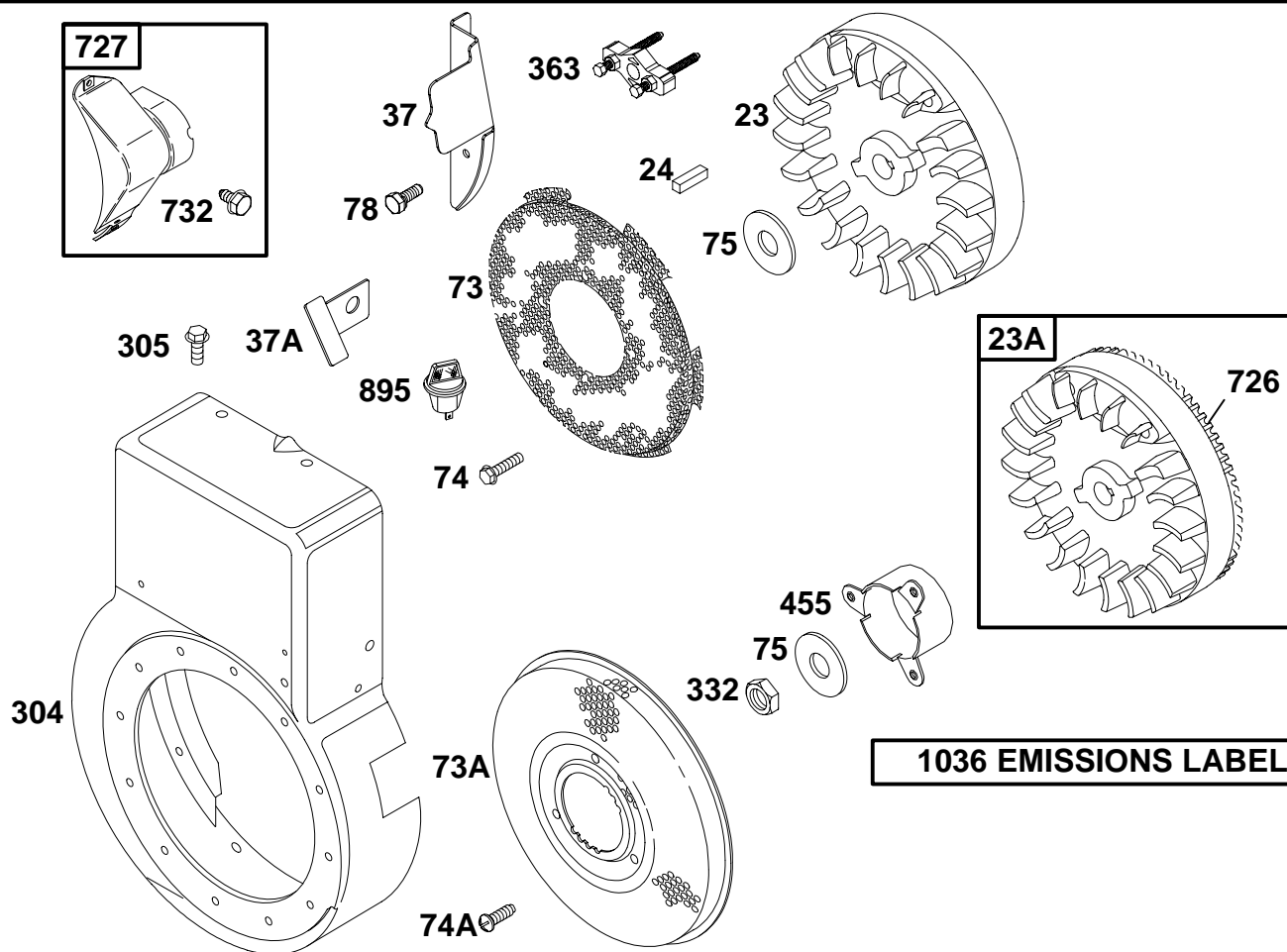


| REF. NO. | PART NO. | DESCRIPTION | REF. NO. | PART NO. | DESCRIPTION | REF. NO. | PART NO. | DESCRIPTION |
|----------|----------|---|----------|----------|---------------------------------|----------|----------|-----------------------------|
| 11 | 280819 | Tube-Breather (Used After Code Date 95010100). | 425 | 94777 | Screw (Air Cleaner Cover) | 740 | 691105 | Nut (Muffler Bracket) |
| | | Note | 445 | 496077 | Filter-Air Cleaner Cartridge | 823 | 690363 | Screw (Muffler Adapter) |
| | | 281426 Tube-Breather (Used Before Code Date 95010200). | 485 | 280715 | Knob-Control | 864 | 497469 | Adapter-Muffler |
| 81 | 691178 | Lock-Muffler Screw | 613 | 93927 | Screw (Muffler) | 883 | Ø*272293 | Gasket-Exhaust |
| 161 | 498544 | Base-Air Cleaner | 643 | 281358 | Retainer-Air Filter | 967 | 492889 | Filter-Pre Cleaner |
| 163 | Ø*273101 | Gasket-Air Cleaner | 676 | 393761 | Deflector-Muffler | 968 | 281357 | Cover-Air Cleaner |
| 300 | 497470 | Muffler | 676A | 396903 | Deflector-Muffler | 971 | 94930 | Screw (Air Cleaner Base) |
| 346 | 94896 | Screw (Spark Arrestor) | 677 | 94896 | Screw (Muffler Deflector) | 994 | 392390 | Arrestor-Spark |

★ Included in Engine Gasket Set-Ref. No. 358.
● Included in Carburetor Overhaul Kit-Ref. No. 121.

◆ Included in Carburetor Gasket Set-Ref. No. 977.
⊙ Included in Valve Gasket Set-Ref. No. 1033.

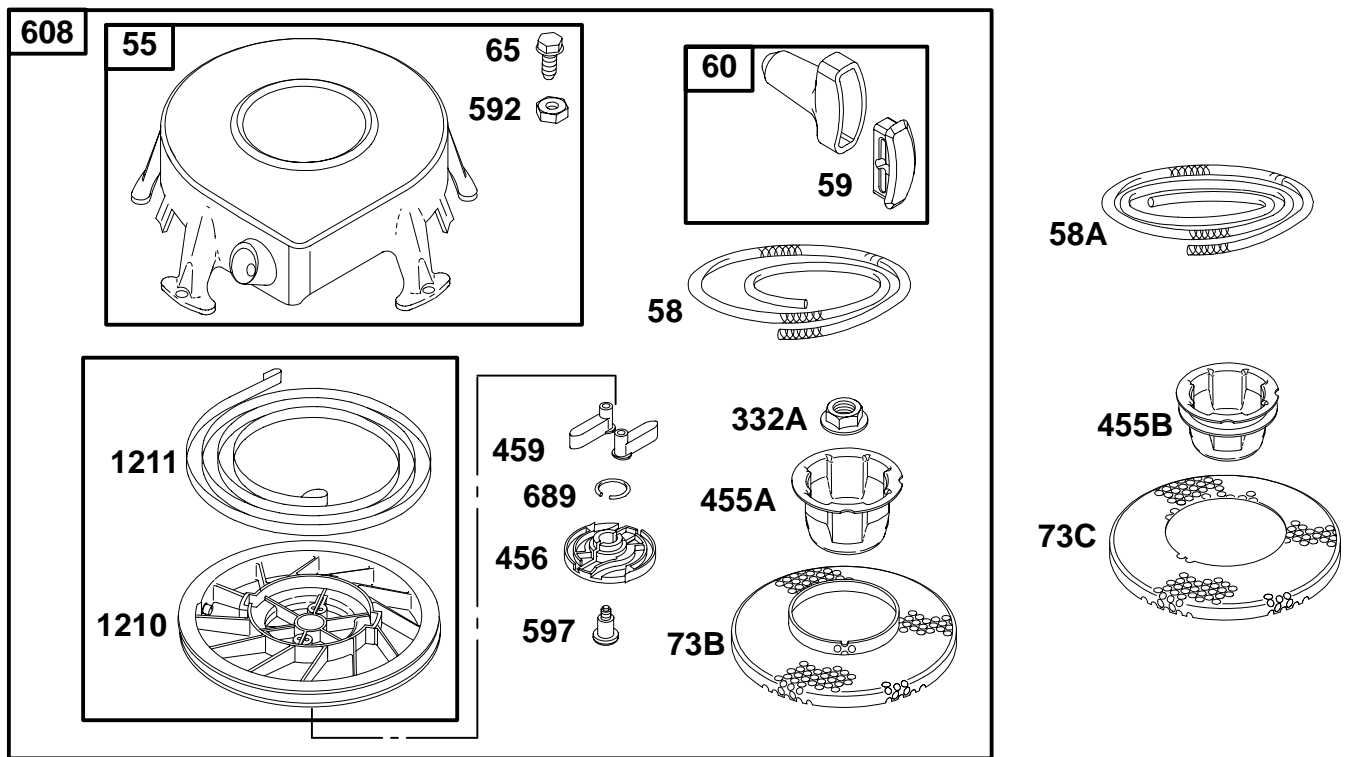
250400 to 250499



| REF. NO. | PART NO. | DESCRIPTION | REF. NO. | PART NO. | DESCRIPTION | REF. NO. | PART NO. | DESCRIPTION |
|----------|----------|---|----------|----------|-----------------------------|-----------------------------------|----------|--|
| 23 | 690672 | Flywheel | 75 | 225136 | Washer (Flywheel) | 1036 | 695698 | Label-Emissions (Used After Code Date 00063000). |
| 23A | 498911 | Flywheel (Used After Code Date 96062300). | 78 | 690364 | Screw (Flywheel Guard) | <p align="center">Note</p> | | |
| | | Note | 304 | 398595 | Housing-Blower | 695102 | | Label-Emissions (Used Before Code Date 00070100 and After Code Date 9909300). |
| | | 692048 Flywheel (Used Before Code Date 96062400). | 305 | 94786 | Screw (Blower Housing) | 694324 | | Label-Emissions (Used Before Code Date 99100100 and After Code Date 98123100). |
| 24 | 222698 | Key-Flywheel | 332 | 94877 | Nut (Flywheel) | 499360 | | Label-Emissions (Used Before Code Date 99010100). |
| 37 | 690490 | Guard-Flywheel | 363 | 19203 | Flywheel Puller | | | |
| 37A | 690488 | Guard-Flywheel | 455 | 691173 | Cup-Flywheel | | | |
| 73 | 224874 | Screen-Rotating | 726 | 399676 | Gear-Ring | | | |
| 73A | 224517 | Screen-Rotating | 727 | 395405 | Cover-Starter Drive | | | |
| 74 | 93758 | Screw (Rotating Screen) | 732 | 691097 | Screw (Starter Drive Cover) | | | |
| 74A | 94626 | Screw (Rotating Screen) | 895 | 396691 | Switch-Rotary | | | |

★ Included in Engine Gasket Set-Ref. No. 358.
 ● Included in Carburetor Overhaul Kit-Ref. No. 121.

◆ Included in Carburetor Gasket Set-Ref. No. 977.
 ⊙ Included in Valve Gasket Set-Ref. No. 1033.

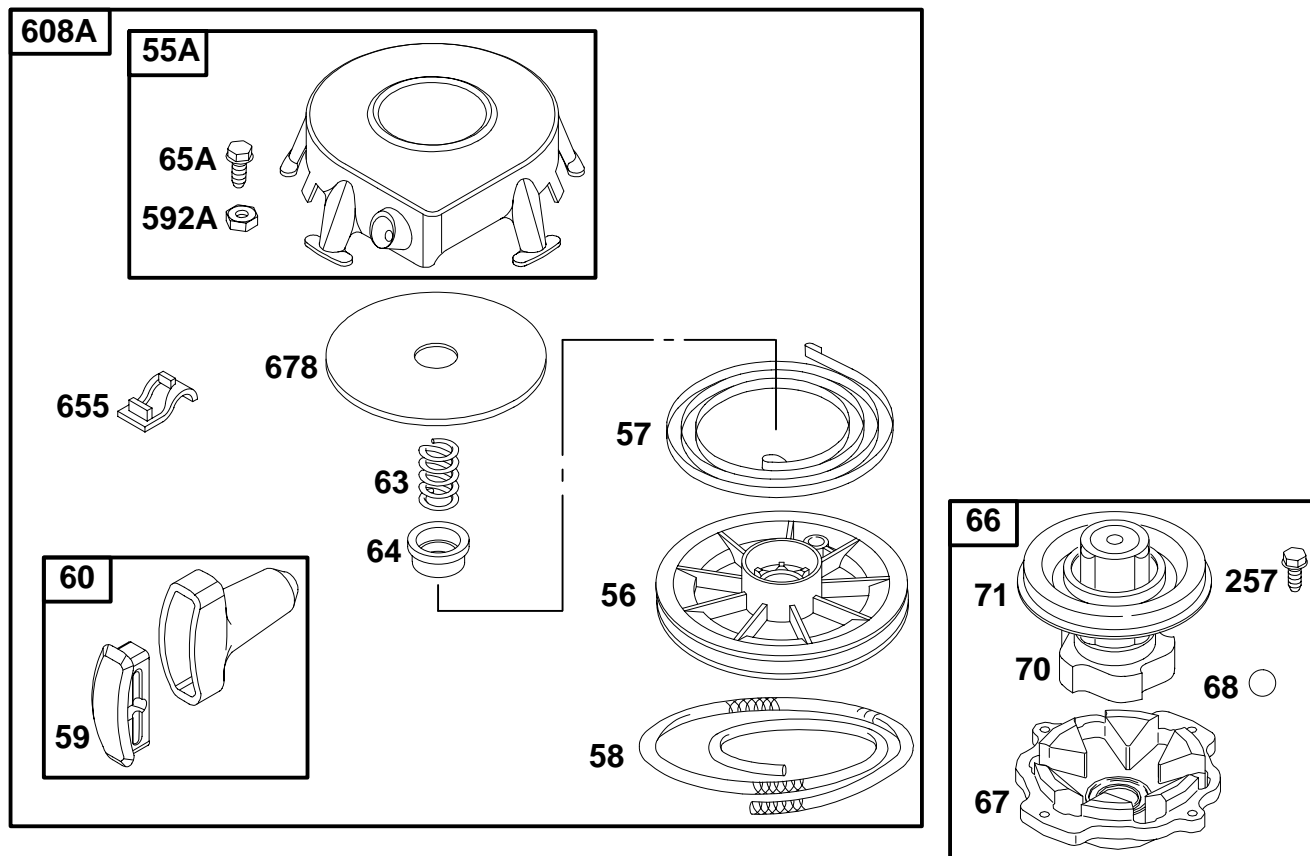


| REF. NO. | PART NO. | DESCRIPTION | REF. NO. | PART NO. | DESCRIPTION | REF. NO. | PART NO. | DESCRIPTION |
|----------|----------|---|----------|----------|---|----------|----------|---|
| 55 | 693904 | Housing–Rewind Starter (Used After Code Date 98111500). | 73C | 694020 | Screen–Rotating (Used with 99" Rope) | 608 | 693900 | Starter–Rewind (63" Length Rope) (Used After Code Date 98111500). |
| 58 | 66884 | Rope–Starter (63" Length) | 332A | 693899 | Nut (Flywheel) | 689 | 263073 | Spring–Friction |
| 58A | 66894 | Rope–Starter (99" Length) | 455A | 693902 | Cup–Flywheel | 1210 | 498144 | Pulley/Spring Assembly (Pulley) (Used After Code Date 98111500). |
| 59 | 490653 | Insert–Grip | 455B | 694017 | Cup–Flywheel (Used with 99" Rope) | 1211 | 498144 | Pulley/Spring Assembly (Spring) (Used After Code Date 98111500). |
| 60 | 490652 | Grip–Starter Rope | 456 | 281503 | Plate–Pawl Friction | | | |
| 65 | 94904 | Screw (Rewind Starter) (Used After Code Date 98111500). | 459 | 281505 | Pawl–Ratchet | | | |
| 73B | 693905 | Screen–Rotating | 592 | 94908 | Nut (Starter Rewind) (Used After Code Date 98111500). | | | |
| | | | 597 | 94943 | Screw (Pawl Friction Plate) | | | |

★ Included in Engine Gasket Set–Ref. No. 358.
● Included in Carburetor Overhaul Kit–Ref. No. 121.

◆ Included in Carburetor Gasket Set–Ref. No. 977.
⊗ Included in Valve Gasket Set–Ref. No. 1033.

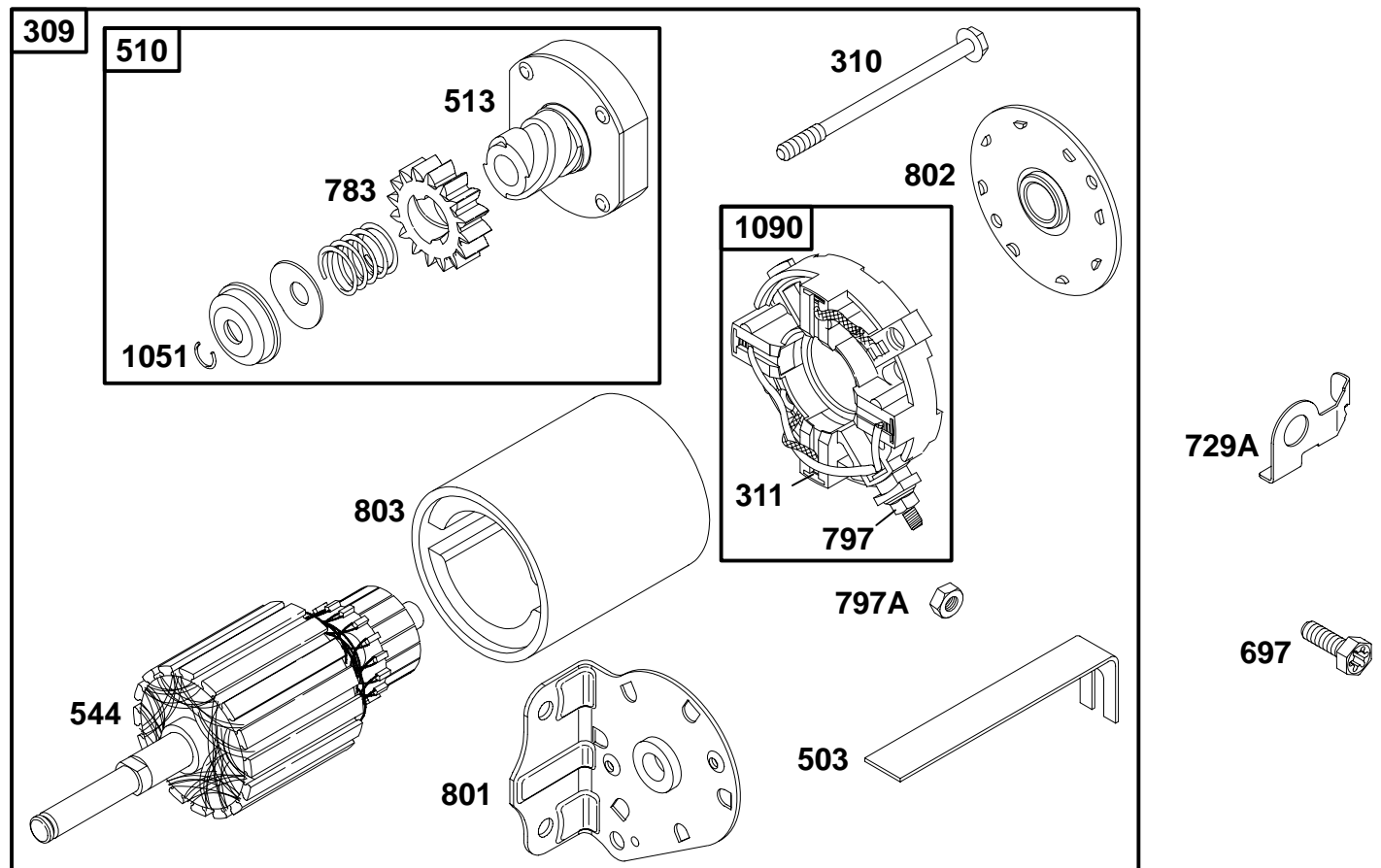
250400 to 250499



| REF. NO. | PART NO. | DESCRIPTION | REF. NO. | PART NO. | DESCRIPTION | REF. NO. | PART NO. | DESCRIPTION |
|----------|----------|---|----------|----------|---|----------|----------|--|
| 55A | 393576 | Housing-Rewind Starter (Used Before Code Date 98111600). | 60 | 490652 | Grip-Starter Rope | 70 | 298799 | Ratchet-Clutch |
| | | | 63 | 260414 | Spring-Ratchet | 71 | 691359 | Cover-Ratchet |
| 56 | 295871 | Pulley-Starter (Used Before Code Date 98111600). | 64 | 281204 | Adapter-Ratchet Spring | 257 | 94680 | Screw (Starter Clutch) |
| 57 | 490179 | Spring-Rewind Starter (Used Before Code Date 98111600). | 65A | 94686 | Screw Rewind Starter) (Used Before Code Date 98111600). | 592A | 690800 | Nut (Rewind Starter) (Used Before Code Date 98111600). |
| 58 | 66884 | Rope-Starter (63" Length) | 66 | 399671 | Clutch-Starter (Used Before Code Date 99030100). | 608A | 390391 | Starter-Rewind (Used Before Code Date 98111600). |
| 59 | 490653 | Insert-Grip | 67 | 394897 | Housing-Clutch | 655 | 222598 | Anchor-Rewind Spring |
| | | | 68 | 63770 | Ball-Clutch | 678 | 490817 | Spacer-Rewind |

★ Included in Engine Gasket Set-Ref. No. 358.
● Included in Carburetor Overhaul Kit-Ref. No. 121.

◆ Included in Carburetor Gasket Set-Ref. No. 977.
⊙ Included in Valve Gasket Set-Ref. No. 1033.

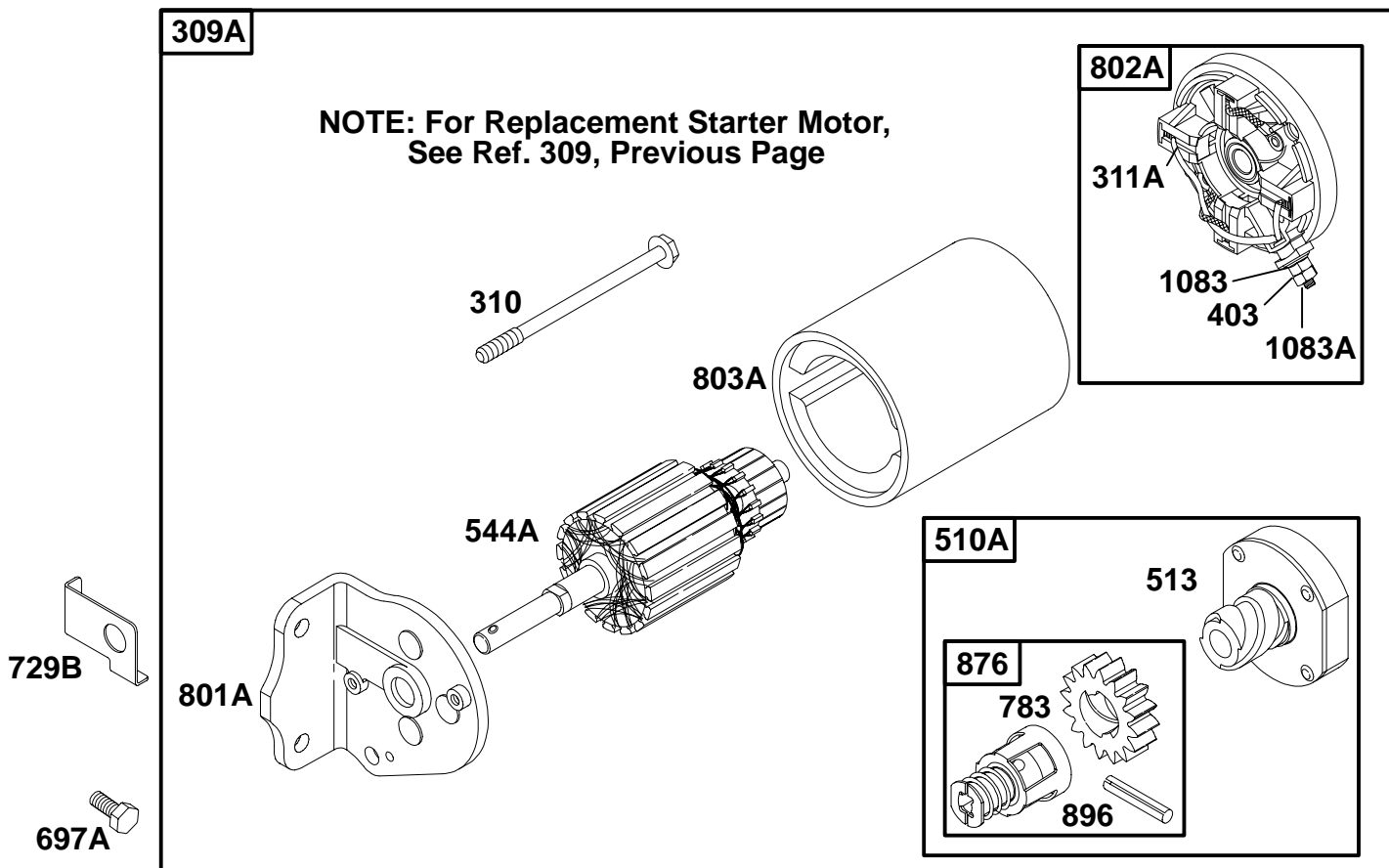


| REF. NO. | PART NO. | DESCRIPTION | REF. NO. | PART NO. | DESCRIPTION | REF. NO. | PART NO. | DESCRIPTION |
|----------|----------|--|----------|----------|---|----------|----------|--|
| 309 | 693054 | Motor-Starter (3 5/8" Housing Length) Note ——— 499521 Motor-Starter (4 3/8" Housing Length) | 311 | 497608 | Brush Set | 797 | 693167 | Nut (Brush Retainer) |
| 310 | 690323 | Bolt (Starter Motor) (For 3 5/8" Housing Length) Note ——— 691263 Bolt (Starter Motor) (For 4 3/8" Housing Length) | 503 | 691532 | Strap-Starter | 797A | 92278 | Nut (Brush Retainer) |
| | | | 510 | 497606 | Drive-Starter | 801 | 691429 | Cap-Drive |
| | | | 513 | 398003 | Clutch-Drive | 802 | 497607 | Cap-End |
| | | | 544 | 497603 | Armature-Starter (For 3 5/8" Housing Length) | 803 | 693757 | Housing-Starter (For 3 5/8" Housing Length) |
| | | | 697 | 690372 | Screw (Drive Cap) | 1051 | 263080 | Ring-Retaining |
| | | | 729A | 691224 | Clip-Wire | 1090 | 497605 | Retainer-Brush |
| | | | 783 | 693059 | Gear-Pinion | | | |

★ Included in Engine Gasket Set-Ref. No. 358.
● Included in Carburetor Overhaul Kit-Ref. No. 121.

◆ Included in Carburetor Gasket Set-Ref. No. 977.
⊘ Included in Valve Gasket Set-Ref. No. 1033.

250400 to 250499

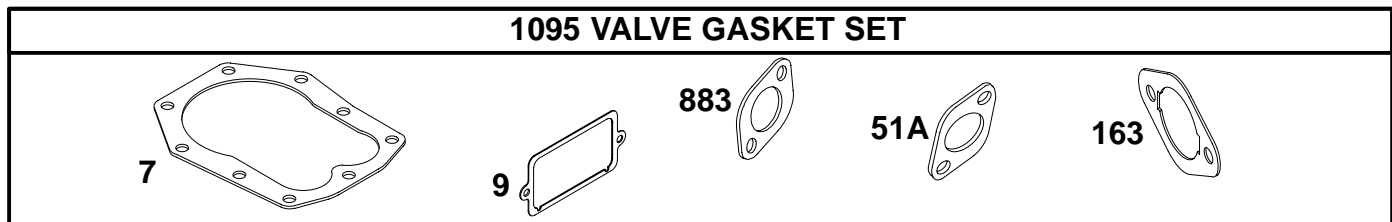
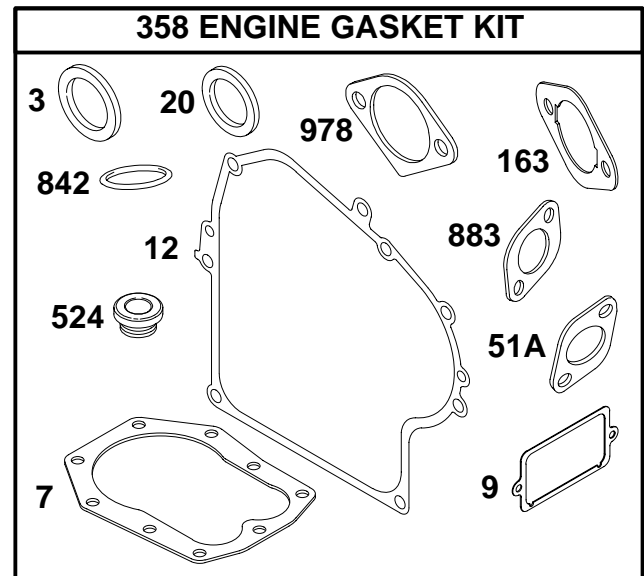
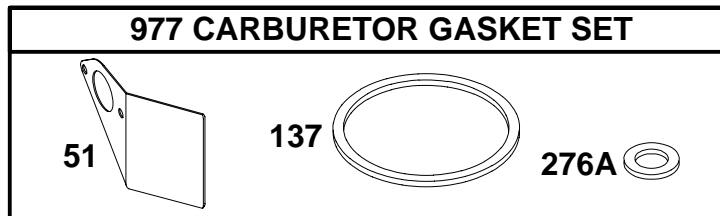
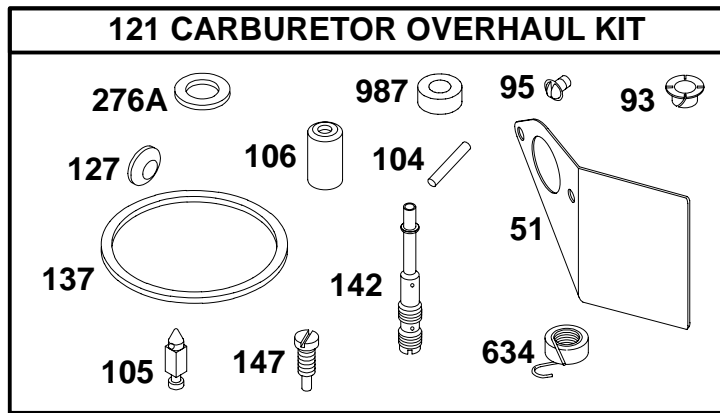


NOTE: For Replacement Starter Motor, See Ref. 309, Previous Page

| REF. NO. | PART NO. | DESCRIPTION | REF. NO. | PART NO. | DESCRIPTION | REF. NO. | PART NO. | DESCRIPTION |
|-------------|---------------|---|-------------|---------------|--|--------------|---------------|---|
| 309A | | Motor-Starter For Replacement Starter Motor, See Ref 309, Previous Page. | 544A | 390837 | Armature-Starter (For 3 5/8" Housing Length) Note _____ | 803A | 398159 | Housing-Starter (For 3 5/8" Housing Length) Note _____ |
| 310 | 690323 | Bolt (Starter Motor) (For 3 5/8" Housing Length) Note _____ | | 490309 | Armature-Starter (For 4 3/8" Housing Length) | | 494205 | Housing-Starter (For 4 3/8" Housing Length) |
| | 691263 | Bolt (Starter Motor) (For 4 3/8" Housing Length) | 697A | 94627 | Screw (Drive Cap) | 876 | 495877 | Spring-Pinion |
| 311A | 395538 | Brush Set (For 3 5/8" and 4 3/8" Housing Lengths) | 729B | 224723 | Clip-Wire | 896 | 94288 | Pin-Drive Retainer |
| | 403 | Washer (End Cap) | 783 | 693059 | Gear-Pinion | 1083 | 94010 | Nut (End Cap) |
| 510A | 495878 | Drive-Starter | 801A | 394856 | Cap-Drive | 1083A | 93715 | Nut (End Cap) |
| | 513 | Clutch-Drive | 802A | 395537 | Cap-End (For 3 5/8" Housing Length) Note _____ | | | |
| | | | | 494988 | Cap-End (For 4 3/8" Housing Length) | | | |

★ Included in Engine Gasket Set-Ref. No. 358.
● Included in Carburetor Overhaul Kit-Ref. No. 121.

◆ Included in Carburetor Gasket Set-Ref. No. 977.
⊘ Included in Valve Gasket Set-Ref. No. 1033.



| REF. NO. | PART NO. | DESCRIPTION | REF. NO. | PART NO. | DESCRIPTION | REF. NO. | PART NO. | DESCRIPTION | | |
|----------|----------|---------------------------------------|----------|----------|--|----------|----------|-------------|--|---------------------------------------|
| 3 | ★391086 | Seal—Oil (Magneto Side) | 106 | ●231856 | Seat—Inlet | | | 497449 | Nozzle— Carburetor (High Altitude) Used on Type No(s). 0101, 0172, 0173, 0503, 0515, 0526, 0571. | |
| 7 | ∅★271866 | Gasket—Cylinder Head | 121 | 497450 | Kit—Carburetor Overhaul | | | 147 | ●497472 | Jet—Pilot (Used on LMT 71, 101) |
| 9 | ∅★27803 | Gasket—Breather | 127 | ●695005 | Plug—Welch | | | 163 | ∅★273101 | Gasket—Air Cleaner |
| 12 | ★272125 | Gasket—Crankcase (.015" Thick) | 137 | ●281165 | Gasket—Float Bowl | | | 276A | ●281164 | Washer—Sealing |
| | | Note | 142 | 695835 | Nozzle—Carburetor (Standard) (Used After Code Date 00030800). Used on Type No(s). 1003, 1026, 1071, 1101, 1117, 1118, 1135, 1136, 1167. | | | 358 | 497511 | Gasket Set—Engine |
| | | ★272219 | | | Note | | | 524 | ★281370 | Seal—Dipstick Tube |
| | | Gasket— Crankcase (.005" Thick) | | | 499744 | | | 634 | ●690802 | Spring/Seal Assembly |
| | | ★272220 | | | Nozzle— Carburetor (High Altitude) (Used Before Code Date 00030900). Used on Type No(s). 1003, 1015, 1026, 1071, 1117, 1118, 1135, 1136, 1167. | | | 842 | ★270920 | O—Ring Seal |
| 20 | ★291675 | Seal—Oil (PTO Side) | | | | | | 883 | ∅★272293 | Gasket—Exhaust |
| 51 | ●272708 | Gasket—Intake | | | | | | 977 | 497069 | Gasket Set—Carburetor |
| 51A | ∅★272707 | Gasket—Intake | | | | | | 978 | ★273326 | Gasket—Oil Gard® |
| 93 | ●690602 | Bushing—Throttle Shaft | | | | | | 987 | ●691326 | Seal—Throttle Shaft |
| 95 | ●94098 | Screw (Throttle Valve) | | | | | | 1095 | 498538 | Gasket Set—Valve |
| 104 | ●690525 | Pin—Float Hinge | | | | | | | | |
| 105 | ●231935 | Valve—Float Needle | | | | | | | | |

★ Included in Engine Gasket Set—Ref. No. 358.
● Included in Carburetor Overhaul Kit—Ref. No. 121.

◆ Included in Carburetor Gasket Set—Ref. No. 977.
∅ Included in Valve Gasket Set—Ref. No. 1033.