

**222400 to 222499**

# Illustrated Parts List

## Model Series

### 222400 to 222499

TYPE NUMBERS  
0110, 0150, 0151,  
0516, 0601, 0604,  
0630 through 0634  
0649, 0651, 0654,  
0658, 0706, 0707,  
0720 through 0723  
0725, 4001.

**TO FIND**  
**THE CORRECT NUMBER OF THE PART YOU NEED:**  
**FOLLOW THE INSTRUCTIONS BELOW**

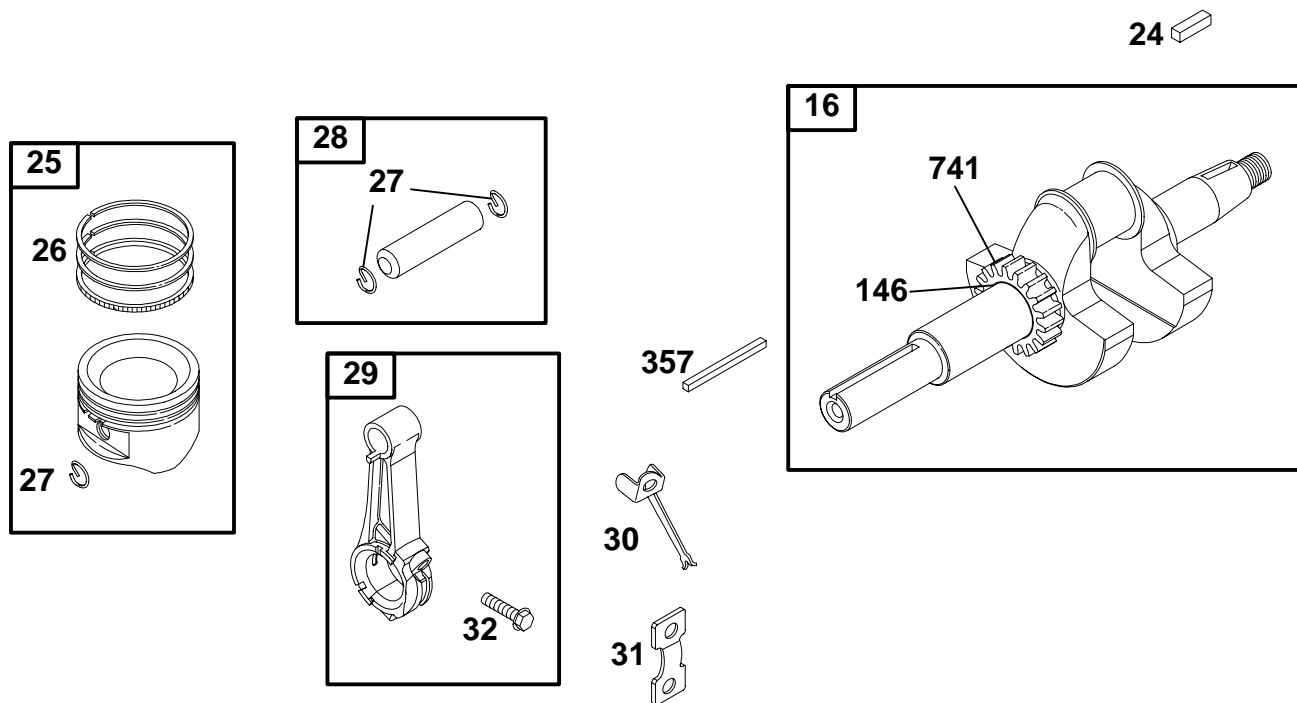
- A. Refer to Engine Model, Type and Code Number that is stamped on the blower housing of engine. Engine type numbers such as 0123 01 are listed only as 0123 in most instances. The two digits (01 or 02, etc.) to the right of the space may be required for more accurate parts identification in some instances. Select the Illustrated Parts List covering the correct Model Series and Type Number.
- B. Refer to the Illustrations and compare the original part with Illustration. The number next to the illustration is the Reference Number. Assemblies include all parts shown in frames. All parts shown in assembly frames having individual reference numbers can be purchased separately.
- C. After the Reference Number has been identified, refer to the Numerical text, where Reference and Primary Part Number are listed. **THE PRIMARY PART IS USED ON ALL TYPE NUMBERS EXCEPT THOSE TYPE NUMBERS UNDER "NOTE."**
- D. If a "Note" appears below the Primary Part Number, it means that this part differs from the Primary Part for certain types. If your Type number is listed under "Note," order the part referred to at the "Note."
- E. If your Engine Type Number does not appear after any part number listed under "Note," use the Primary Part Number.
- F. For Engine Type Numbers not covered by this book, check other Parts Lists having the same engine model or contact your source of supply.

PRINTED IN U.S.A.



COPYRIGHT by BRIGGS & STRATTON CORPORATION  
All rights reserved. No part of this material may be reproduced or transmitted, in any form or by any means, electronic or mechanical, including photocopying, recording or by any information storage and retrieval system, without permission in writing from Briggs & Stratton Corporation.



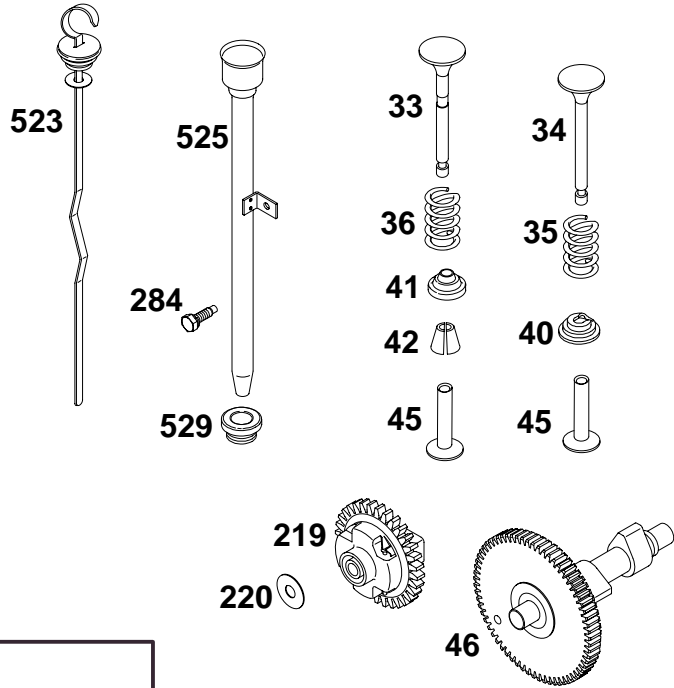
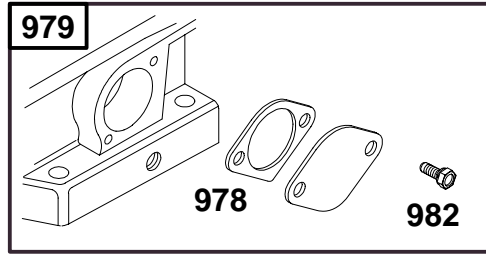
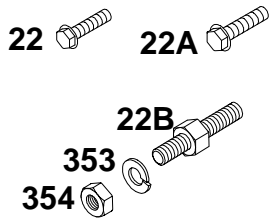
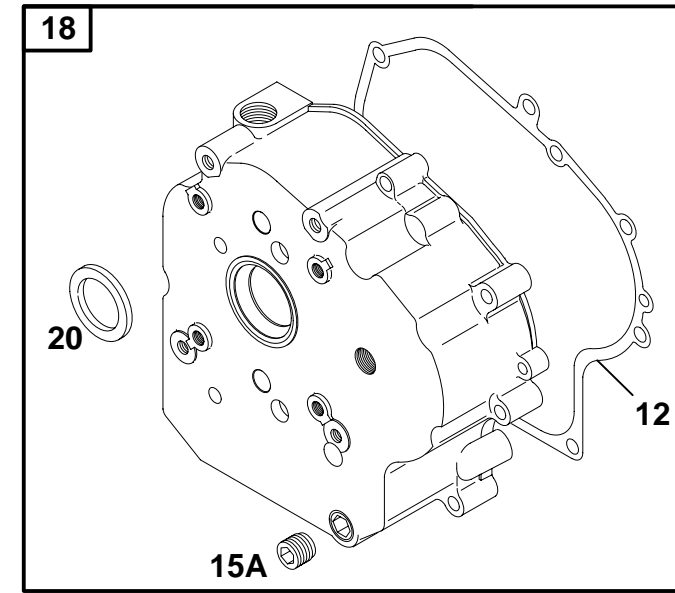


| REF. NO. | PART NO. | DESCRIPTION   | REF. NO. | PART NO. | DESCRIPTION  | REF. NO. | PART NO. | DESCRIPTION   |
|----------|----------|---|----------|----------|--|----------|----------|---|
| 16       | 491640   | Crankshaft<br><b>Note</b><br>261954 Crankshaft<br>Used on Type No(s).<br>0516, 0633, 0634,<br>0649, 0651, 0654,<br>0658, 0720, 0721,<br>4001.                     | 26       | 391780   | Ring Set<br>(Standard)<br><b>Note</b><br>392331 Ring Set<br>(Standard Chrome)<br>391781 Ring Set<br>(.010" O.S.)<br>391782 Ring Set<br>(.020" O.S.)<br>391783 Ring Set<br>(.030" O.S.) | 29       | 393860   | Rod-Connecting<br>(Standard)<br><b>Note</b><br>393861 Rod-<br>Connecting<br>(.020" Undersize) |
| 24       | 222698   | Key-Flywheel  | 27       | 260924   | Lock-Piston Pin  | 30       | 222329   | Dipper-Conn. Rod  |
| 25       | 391285   | Piston Assembly<br>(Standard)<br><b>Note</b><br>391287 Piston Assy.<br>(.010" O.S.)<br>391288 Piston Assy.<br>(.020" O.S.)<br>391289 Piston Assy.<br>(.030" O.S.) | 28       | 299691   | Pin-Piston<br>(Standard)<br><b>Note</b><br>391286 Pin-Piston<br>(.005" O.S.)   | 31       | 222299   | Lock-Rod Screw  |
|          |          |   |          |          |  | 32       | 92909    | Screw-Conn. Rod   |
|          |          |   |          |          |  | 146      | 94196    | Key-Timing  |
|          |          |   |          |          |  | 357      | 91540    | Key-Drive Pulley  |
|          |          |   |          |          |  | 741      | 262135   | Gear-Timing   |

★ Included in Gasket Set-Part No. 492653.  
● Included in Carburetor Kit-See Ref. 121.

∅ Included in Valve Overhaul Gasket Set-Part No. 498537.

# 222400 to 222499

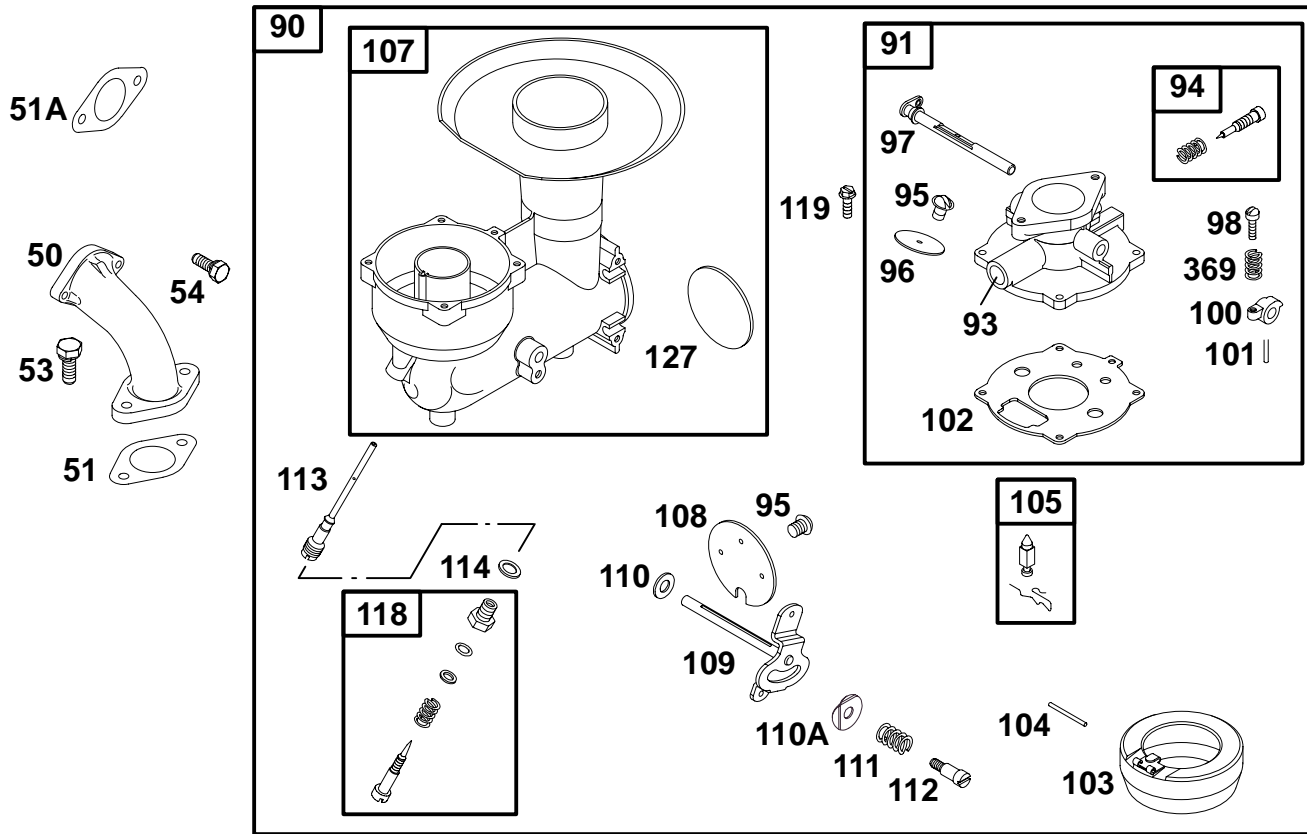


★ **REQUIRES SPECIAL TOOLS TO INSTALL. SEE REPAIR INSTRUCTION MANUAL.**

| REF. NO. | PART NO. | DESCRIPTION   | REF. NO. | PART NO. | DESCRIPTION  | REF. NO. | PART NO. | DESCRIPTION  |
|----------|----------|---|----------|----------|--|----------|----------|--|
| 12       | ★272125  | Gasket-Crankcase (.015" Thick)<br>———— <b>Note</b> ————<br>★272219 Gasket-Crankcase (.005" Thick)<br>★272220 Gasket-Crankcase (.009" Thick) | 22       | 93585    | Screw-Hex.   | 46       | 212897   | Gear-Cam<br>———— <b>Note</b> ————<br>212505 Gear-Cam Used on Type No(s). 0631.   |
| 15A      | 94720    | Plug-Oil Drain  | 22A      | 93764    | Screw-Hex.<br>(Use in Position # 6)  | 219      | 494845   | Gear-Governor<br>(Used After Code Date 91060900).<br>———— <b>Note</b> ————<br>391737 Gear-Gov. (Used Before Code Date 91061000). |
| 18       | 394701   | Cover-Crankcase<br>———— <b>Note</b> ————<br>396437 Cover-Crankcase Used on Type No(s). 0631.  | 22B      | 94931    | Stud-Hex. Drive  | 220      | 221551   | Washer-Thrust  |
| 20       | ★291675  | Seal-Oil<br>———— <b>Note</b> ————<br>391483 Seal-Oil Used on Type No(s). 0631.  | 33       | 261185   | Valve-Exhaust<br>(Used After Code Date 89020900).<br>———— <b>Note</b> ————<br>261503 Valve-Exhaust (Used Before Code Date 89021000). | 284      | 94903    | Screw-Hex.   |
|          |          |   | 34       | 261462   | Valve-Intake   | 353      | 90366    | Washer-Lock  |
|          |          |   | 35       | 65906    | Spring-Valve   | 354      | 94314    | Nut-Hex.   |
|          |          |   | 36       | 26828    | Spring-Valve   | 523      | 490665   | Dipstick   |
|          |          |   | 40       | 221596   | Retainer-Valve   | 525      | 496517   | Tube-Oil Fill  |
|          |          |   | 41       | 292260   | Retainer-Valve   | 529      | ★281370  | Seal-Fill Tube   |
|          |          |   | 42       | 494553   | Keeper-Valve   | 978      | ★271736  | Gasket   |
|          |          |   | 45       | 262248   | Tappet-Valve   | 979      | 494807   | Cover-OIL GARD®  |
|          |          |   |          |          |  | 982      | 94139    | Screw-Hex.   |

★ Included in Gasket Set-Part No. 492653.  
● Included in Carburetor Kit-See Ref. 121.

∅ Included in Valve Overhaul Gasket Set-Part No. 498537.

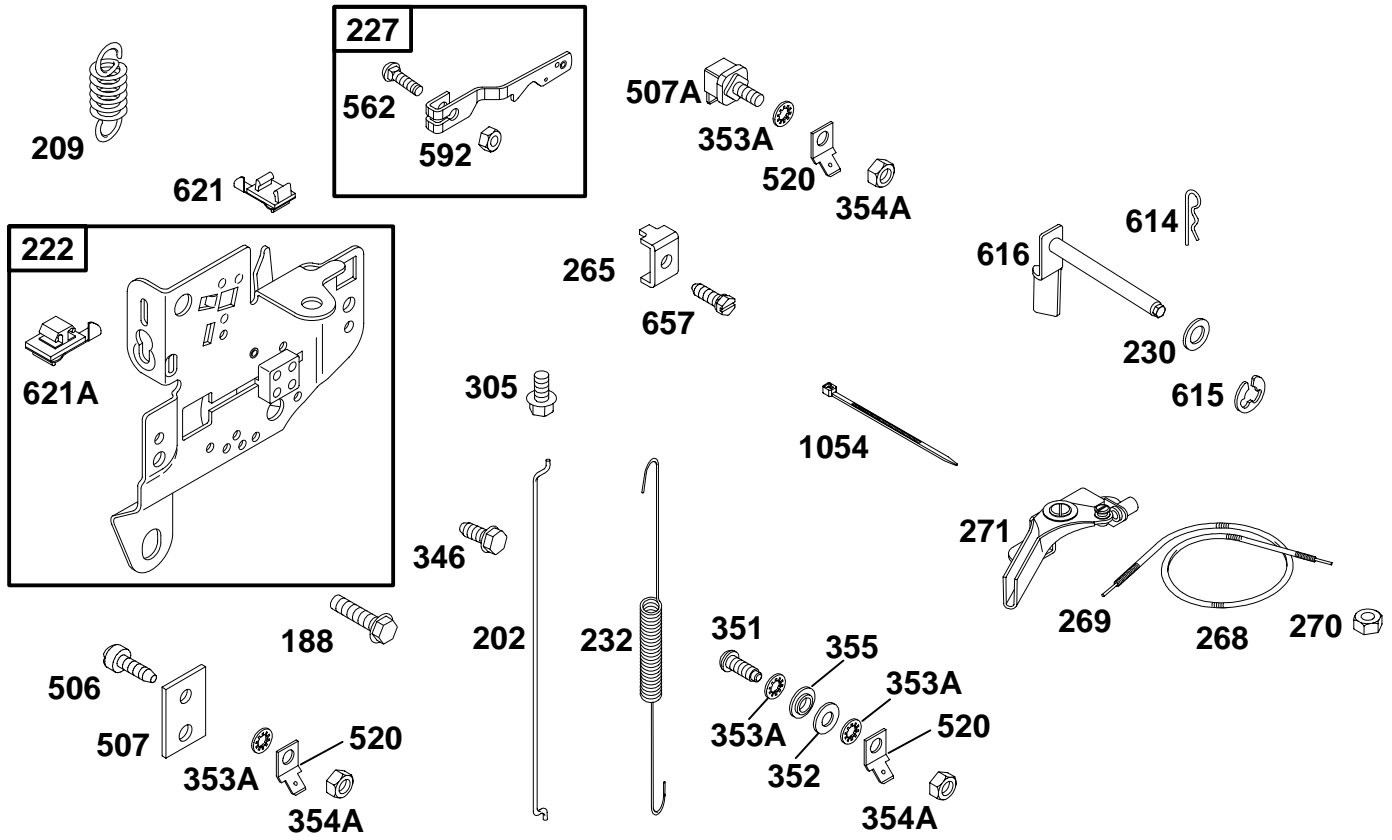


| REF. NO. | PART NO. | DESCRIPTION   | REF. NO. | PART NO. | DESCRIPTION  | REF. NO. | PART NO. | DESCRIPTION  |
|----------|----------|---|----------|----------|--|----------|----------|--|
| 50       | 212301   | Manifold-Intake<br><b>Note</b><br>490051 Manifold-Intake<br>Used on Type No(s).<br>0706, 0707, 0720,<br>0721, 0722, 0723,<br>0725, 4001.            | 91       | 391833   | Body Assembly-Upper  | 109      | 391884   | Shaft-Choke  |
| 51       | ★●270267 | Gasket-Intake   | 93       | 23108    | Bushing-Throttle Shaft   | 110      | 222712   | Washer-Friction  |
| 51A      | ★●498869 | Gasket-Carburetor Mounting  | 94       | ●292681  | Valve-Idle Adjust  | 111      | 26155    | Spring-Friction  |
| 53       | 93415    | Screw-Hex.  | 95       | 93499    | Screw-Choke Throttle   | 112      | 23123    | Screw-Shoulder   |
| 54       | 93208    | Screw-Phillips  | 96       | 221939   | Valve-Throttle   | 113      | ●394730  | Nozzle-Carburetor<br>(Used After Code Date<br>81060100).<br><b>Note</b><br>●390950 Nozzle-Carburetor<br>(Used Before Code<br>Date 81060211). |
| 90       | 391992   | Carburetor<br>(Manual Friction)<br><b>Note</b><br>399252 Carburetor<br>Used on Type No(s).<br>0706, 0707, 0720,<br>0721, 0722, 0723,<br>0725, 4001. | 97       | 391596   | Shaft-Throttle   | 114      | ●68667   | Gasket-Nozzle  |
|          |          |   | 98       | 91920    | Screw-Slotted  | 118      | ●99525   | Valve-High Speed   |
|          |          |   | 100      | 212904   | Stop-Throttle  | 119      | 94152    | Screw-Torx® Hex.   |
|          |          |   | 101      | 93043    | Pin-Throttle Lever   | 127      | ●221747  | Plug-Welch   |
|          |          |   | 102      | ●270268  | Gasket-Carburetor Body   | 369      | 26157    | Spring-Friction  |
|          |          |   | 103      | 298514   | Float-Carburetor   |          |          |  |
|          |          |   | 104      | ●230896  | Pin-Float Hinge  |          |          |  |
|          |          |   | 105      | ●394681  | Kit-Needle/Seat  |          |          |  |
|          |          |   | 107      | 391829   | Body Assembly-Lower  |          |          |  |
|          |          |   | 108      | 391836   | Valve-Choke<br><b>Note</b><br>223781 Valve-Choke<br>Used on Type No(s).<br>0706, 0707, 0720,<br>0721, 0722, 0723,<br>0725, 4001. |          |          |  |

★ Included in Gasket Set-Part No. 492653.  
● Included in Carburetor Kit-See Ref. 121.

⊘ Included in Valve Overhaul Gasket Set-Part No. 498537.

# 222400 to 222499

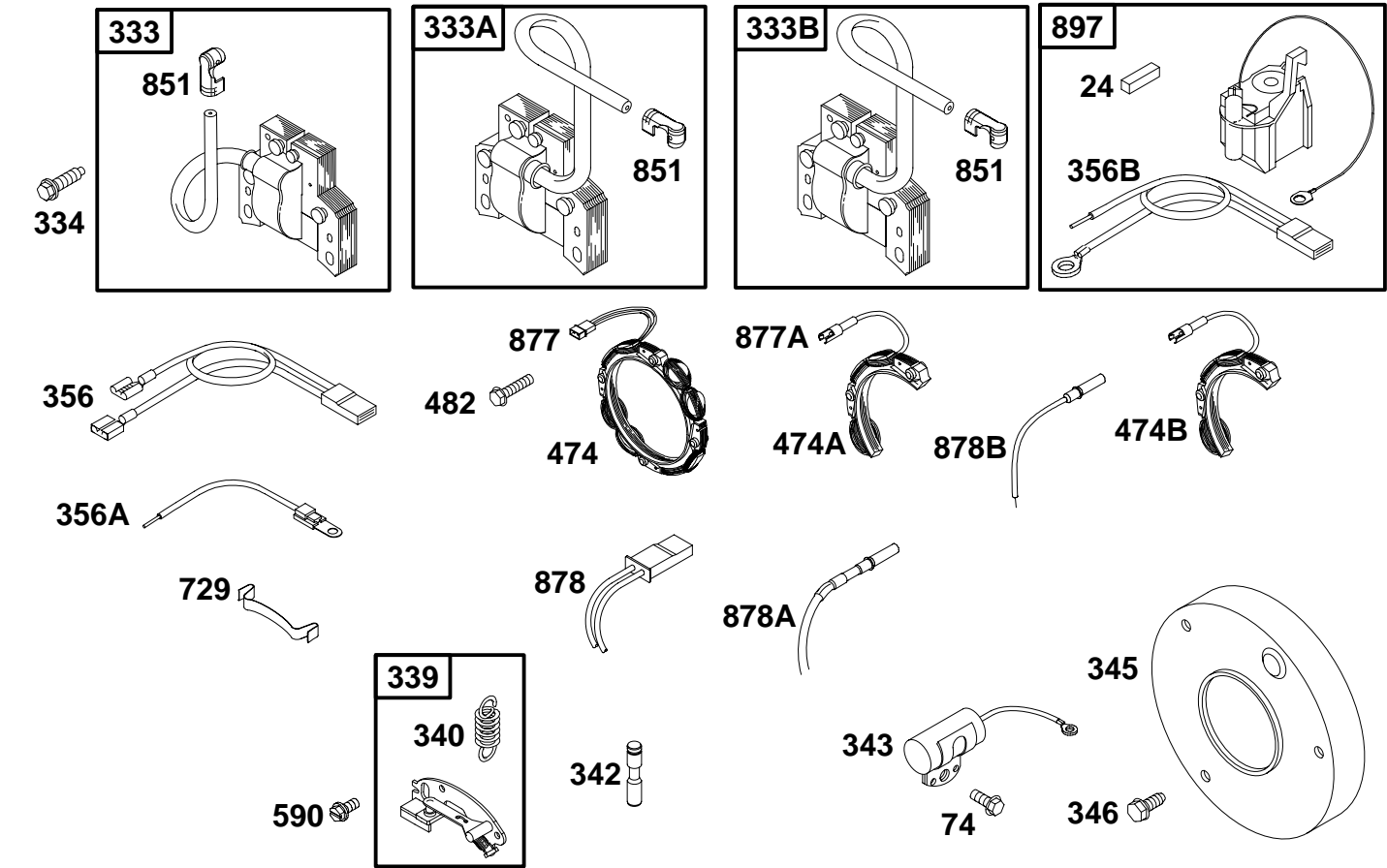


| REF. NO. | PART NO. | DESCRIPTION  | REF. NO. | PART NO. | DESCRIPTION   | REF. NO. | PART NO. | DESCRIPTION                                       |
|----------|----------|--|----------|----------|---|----------|----------|---|
| 188      | 94627    | Screw-Hex.   |          |          | 0632, 0633, 0634, 0648, 0651, 0654, 0658, 0706, 0707, 0720, 0721, 0722, 0723, 0725, 4001. | 305      | 94786    | Screw-Hex.  |
| 202      | 261236   | Link-Mechanical Governor   |          |          |   | 346      | 93705    | Screw-Hex.  |
| 209      | 260695   | Spring-Governor  |          |          |   | 351      | 93735    | Screw-Slotted                                     |
|          |          | <b>Note</b>  |          |          |   | 352      | 66068    | Washer-Fiber                                      |
|          |          | 261306 Spring-Gov. Used on Type No(s). 0151, 0630, 0632, 0633, 0634, 0725,.    | 227      | 396775   | Lever-Governor  | 353A     | 92791    | Washer-Lock                                       |
|          |          | 261129 Spring-Gov. Used on Type No(s). 0631, 0722, 0723.                       |          |          | <b>Note</b>   | 354A     | 90576    | Nut-Hex.  |
| 222      | 399153   | Bracket-Control (Manual Choke) (Used After Code Date 831212500).               |          |          | 391732 Lever-Governor (Used Before Code Date 83121600).                                   | 355      | 66554    | Washer-Fiber                                      |
|          |          | <b>Note</b>  |          |          | 394646 Lever-Governor Used on Type No(s). 0179, 0241, 0690.                               | 506      | 90200    | Screw-Slotted                                     |
|          |          | 391633 Bracket-Control (Used Before Code Date 83121600).                       | 230      | 94742    | Washer-Flat   | 507      | 66895    | Insulator   |
|          |          | 399152 Bracket-Control Used on Type No(s). 0516, 0601, 0602, 0604, 0630, 0631, | 232      | 260478   | Spring-Link   | 507A     | 398525   | Insulator   |
|          |          |  | 265      | 221535   | Clamp-Casing  | 520      | 93722    | Terminal  |
|          |          |  | 268      | 65616    | Casing-Wire (Cut to Required Length)  | 562      | 92613    | Bolt-Governor Lever                               |
|          |          |  | 269      | 26633    | Wire-Control (Cut to Required Length)   | 592      | 231082   | Nut-Hex.  |
|          |          |  | 270      | 63426    | Locknut-Casing  | 614      | 93306    | Pin-Cotter  |
|          |          |  | 271      | 290568   | Lever-Control   | 615      | 93307    | Retainer-E-Ring (Used Before Code Date 92070900). |
|          |          |  |          |          |   | 616      | 231057   | Crank-Governor                                    |
|          |          |  |          |          |   | 621      | 297472   | Switch-Stop (Used Before Code Date 85041500).     |
|          |          |  |          |          |   | 621A     | 396847   | Switch-Stop (Used After Code Date 85041500).      |
|          |          |  |          |          |   | 657      | 93496    | Screw-Slotted Hex.                                |
|          |          |  |          |          |   | 1054     | 280275   | Tie-Cable   |

★ Included in Gasket Set-Part No. 492653.  
● Included in Carburetor Kit-See Ref. 121.

⊘ Included in Valve Overhaul Gasket Set-Part No. 498537.

222400 to 222499

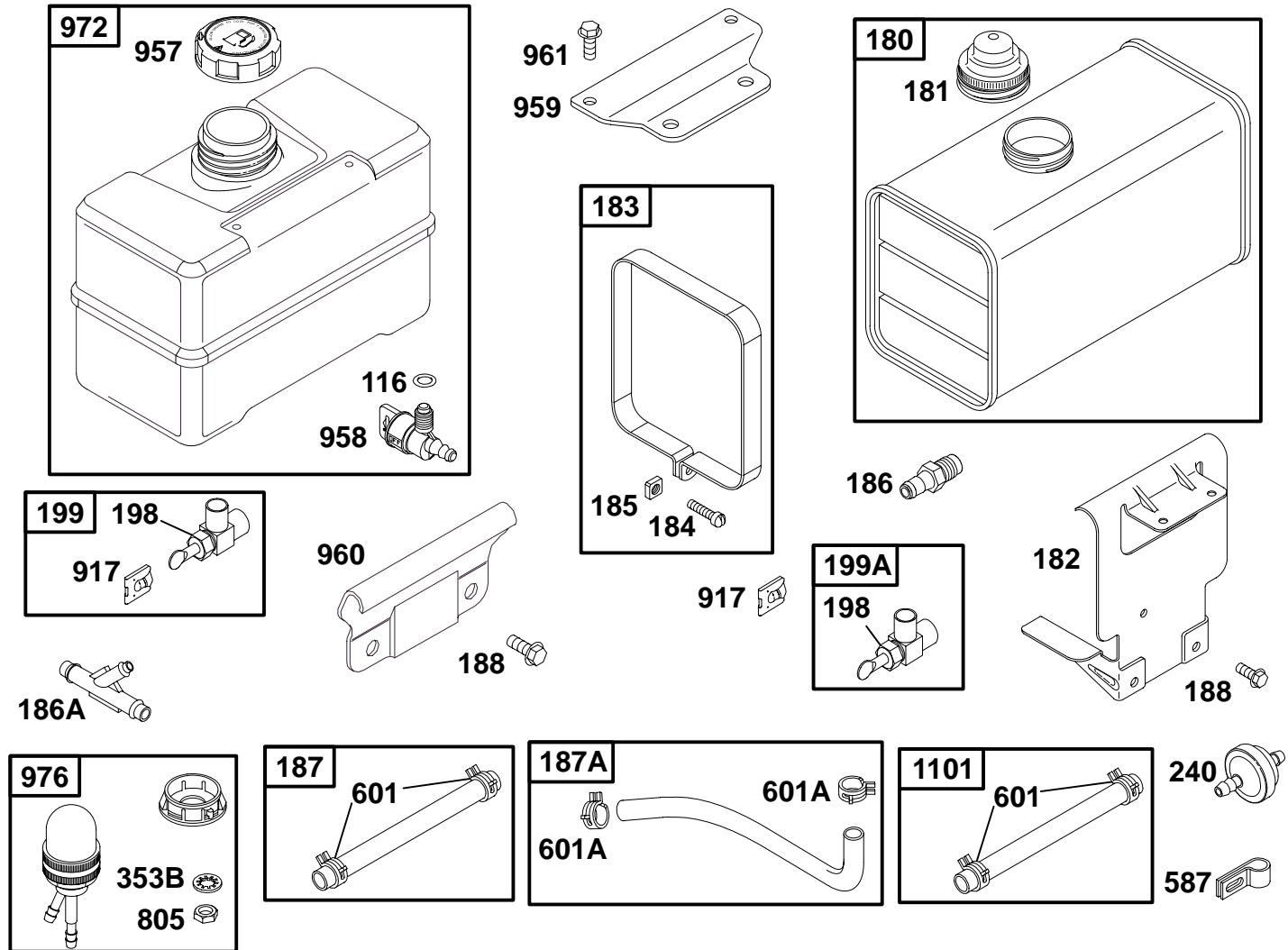


| REF. NO. | PART NO. | DESCRIPTION   | REF. NO. | PART NO. | DESCRIPTION  | REF. NO.                     | PART NO. | DESCRIPTION        |   |
|----------|----------|---|----------|----------|--|------------------------------|----------|--------------------|---|
| 24       | 222698   | Key-Flywheel  |          |          | <p align="center">————— <b>Note</b> —————</p> <p><b>222517</b> Cover-Breaker<br/>Used on Type No(s).<br/>0110, 0150, 0151.</p> | 590                          | 93226    | Screw-Slotted Hex. |   |
| 74       | 93042    | Screw-Hex.  |          |          |  | 851                          | 493880   | Terminal-Cable     |   |
| 333      | 398811   | Armature-Magneto  |          |          |  | 877                          | 393456   | Wire-Alternator    |   |
| 333A     | 298968   | Armature-Magneto<br>(For Points and<br>Condenser)                                       |          |          |  | 877A                         | 393814   | Wire-Alternator    |   |
| 333B     | 395326   | Armature-Magneto  | 346      | 93705    |  | Screw-Hex.                   | 878      | 393362             | Harness-Alternator  |
| 334      | 94731    | Screw-Hex.  | 356      | 398838   |  | Wire-Stop                    | 878A     | 393422             | Harness-Alternator<br>(DC Only)   |
| 339      | 391284   | Breaker-Ignition<br>(For conversion to<br>Magnetron Ignition,<br>Refer To Ref. No. 897) | 356A     | 496868   |  | Wire-Stop                    | 878B     | 390867             | Harness-Alternator<br>(AC Only)   |
|          |          |   | 356B     | 398808   |  | Wire-Stop                    | 897      | 394970             | Magnetron® Ignition<br>Kit<br>(Used with <b>395326</b><br>Armature-Magneto) |
| 340      | 26018    | Spring-Breaker Arm  | 474      | 393474   |  | Alternator<br>(Dual Circuit) |          |                    |   |
| 342      | 65704    | Plunger-Breaker   | 474A     | 391529   |  | Alternator<br>(DC Only)      |          |                    |   |
| 343      | 29861    | Condenser   | 474B     | 391595   | Alternator<br>(AC Only)  |                              |          |                    |   |
| 345      | 222309   | Cover-Breaker   | 482      | 93621    | Screw-Hex.   |                              |          |                    |   |

★ Included in Gasket Set-Part No. 492653.  
● Included in Carburetor Kit-See Ref. 121.

∅ Included in Valve Overhaul Gasket Set-Part No. 498537.

## 222400 to 222499



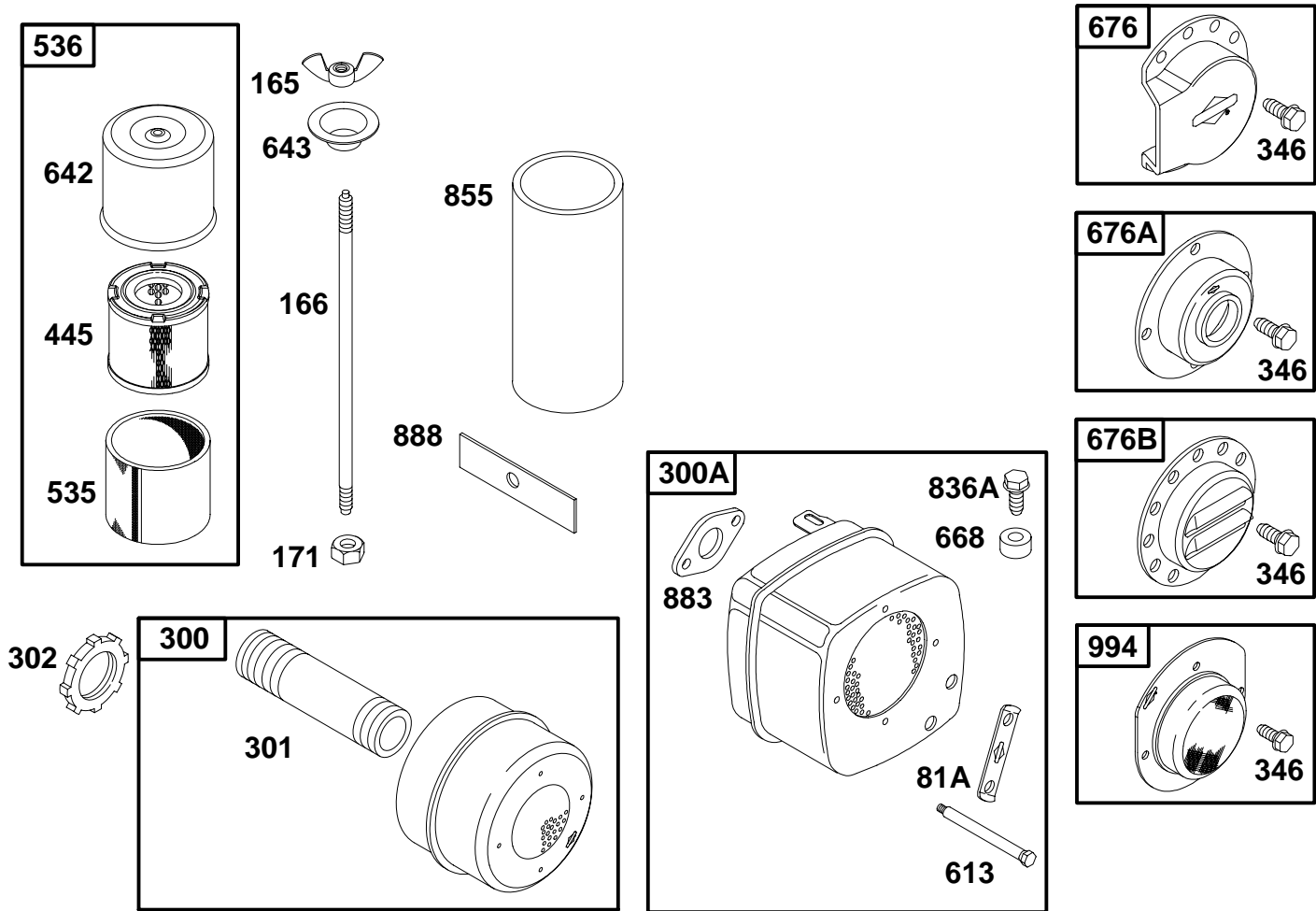
| REF. NO. | PART NO. | DESCRIPTION                        | REF. NO.    | PART NO. | DESCRIPTION                     | REF. NO. | PART NO. | DESCRIPTION  |
|----------|----------|------------------------------------|-------------|----------|---------------------------------|----------|----------|--|
| 116      | 280203   | Seal-O-Ring                        | 199         | 492649   | Valve-Shut-Off                  | 917      | 223271   | Handle-Shut-Off Valve                              |
| 180      | 290816   | Tank-Fuel (4 Quart)                | 199A        | 297563   | Valve-Shut-Off                  | 957      | 493988   | Cap-Fuel Tank (Plastic)                            |
| 181      | 297866   | Cap-Fuel Tank                      | 240         | 394358   | Filter-Fuel                     | 958      | 399517   | Valve-Shut-Off                                     |
| 182      | 222333   | Bracket-Fuel Tank                  | <b>Note</b> |          |                                 | 959      | 224888   | Bracket-Fuel Tank (Upper)                          |
| 183      | 291367   | Strap-Fuel Tank                    | 298090      |          | Filter-Fuel (Light Red)         | 960      | 224889   | Bracket-Fuel Tank (Lower)                          |
| 184      | 91257    | Screw-Slotted                      | 353B        | 94281    | Washer-Lock                     | 961      | 94095    | Screw-Hex.   |
| 185      | 90970    | Nut-Square                         | 587         | 220162   | Clamp-Cable                     | 972      | 493337   | Tank-Fuel (Plastic)                                |
| 186      | 230318   | Connector-Hose                     | 601         | 93053    | Clamp-Hose (Green)              | 976      | 399255   | Primer-Carburetor                                  |
| 186A     | 280727   | Connector-Hose                     | <b>Note</b> |          |                                 | 1101     | 399256   | Tube-Injector (Includes Inline Filter) (1/4" O.D.) |
| 187      | 296004   | Line-Fuel (Cut to Required Length) | 93807       |          | Clamp-Hose (Black)              |          |          |  |
| 187A     | 399254   | Line-Fuel                          | 601A        | 94171    | Clamp-Hose (For 1/4" O.D. Hose) |          |          |  |
| 188      | 94627    | Screw-Hex.                         | 805         | 94189    | Nut-Hex.                        |          |          |  |
| 198      | 293934   | Screw-Shut-Off                     |             |          |                                 |          |          |  |

★ Included in Gasket Set-Part No. 492653.  
● Included in Carburetor Kit-See Ref. 121.

∅ Included in Valve Overhaul Gasket Set-Part No. 498537.



222400 to 222499

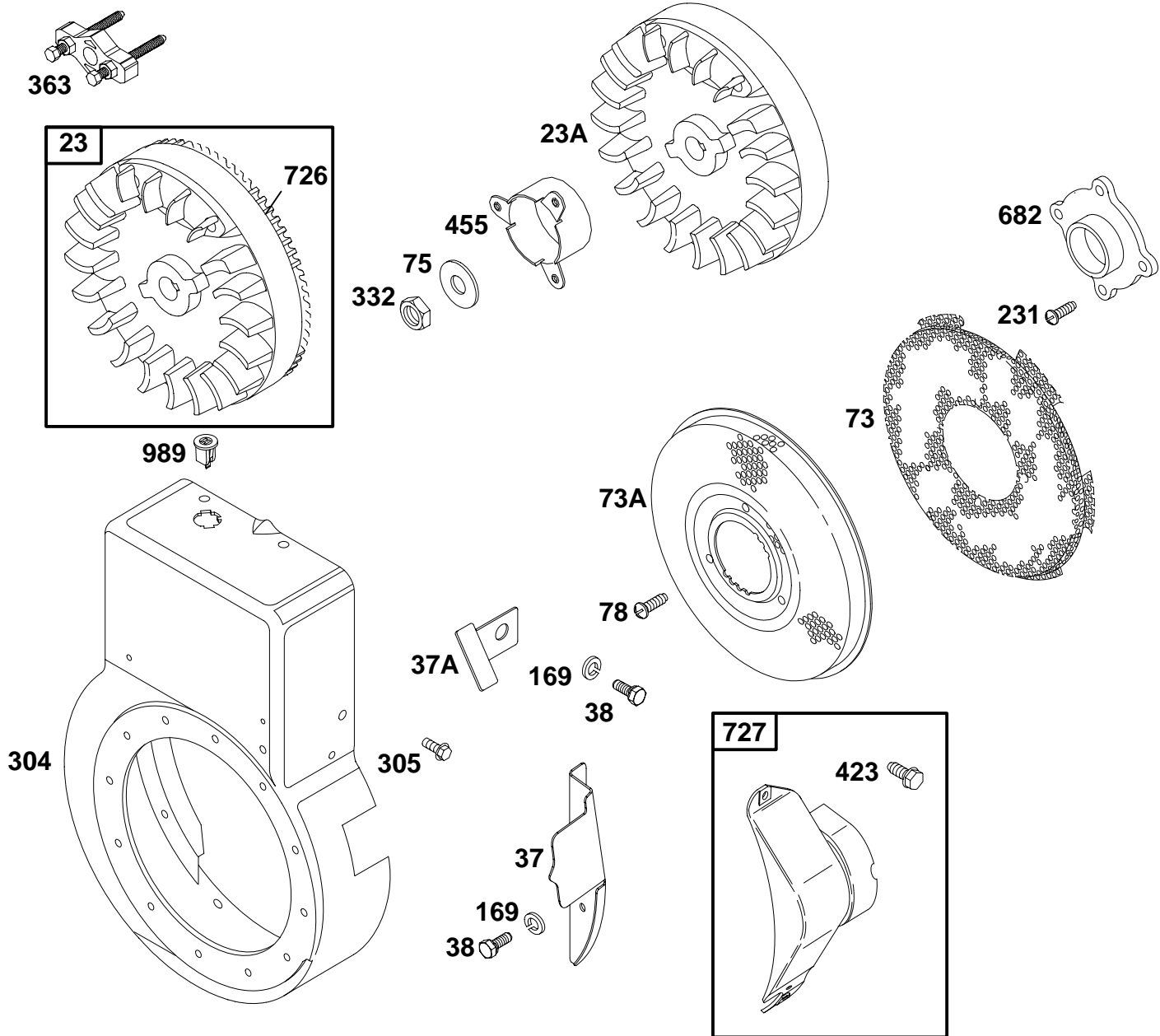


| REF. NO. | PART NO. | DESCRIPTION  | REF. NO. | PART NO. | DESCRIPTION       | REF. NO. | PART NO. | DESCRIPTION       |
|----------|----------|--|----------|----------|-------------------|----------|----------|-------------------|
| 81A      | 223016   | Lock-Muffler Screw   | 300A     | 491626   | Muffler-Exhaust   | 668      | 231109   | Spacer            |
| 165      | 94289    | Nut-Wing   | 301      | 93833    | Pipe-Muffler      | 676      | 393761   | Deflector-Muffler |
| 166      | 231007   | Stud-Air Cleaner   | 302      | 261564   | Locknut-Muffler   | 676A     | 396903   | Deflector-Muffler |
|          |          | <b>Note</b>  | 346      | 93705    | Screw-Hex.        | 676B     | 397630   | Deflector-Muffler |
|          |          | 93110 Screw-Socket   | 445      | 393957   | Filter-Air        | 836A     | 94885    | Screw-Hex.        |
|          |          | (Used to Plug Air Cleaner Stud Hole in Bottom of Carburetor) | 535      | 271794   | Filter-Air        | 855      | 231145   | Tube-Intake       |
| 171      | 92129    | Nut-Hex.   | 536      | 391063   | Cleaner-Air       | 883      | 272293   | Gasket-Exhaust    |
| 300      | 391569   | Muffler-Exhaust  | 613      | 93927    | Screw-Shoulder    | 888      | 222726   | Bracket-Support   |
|          |          |  | 642      | 224885   | Cover-Air Cleaner | 994      | 392390   | Arrester-Spark    |
|          |          |  | 643      | 222272   | Cover-Air Cleaner |          |          |                   |

★ Included in Gasket Set-Part No. 492653.  
 ● Included in Carburetor Kit-See Ref. 121.

∅ Included in Valve Overhaul Gasket Set-Part No. 498537.

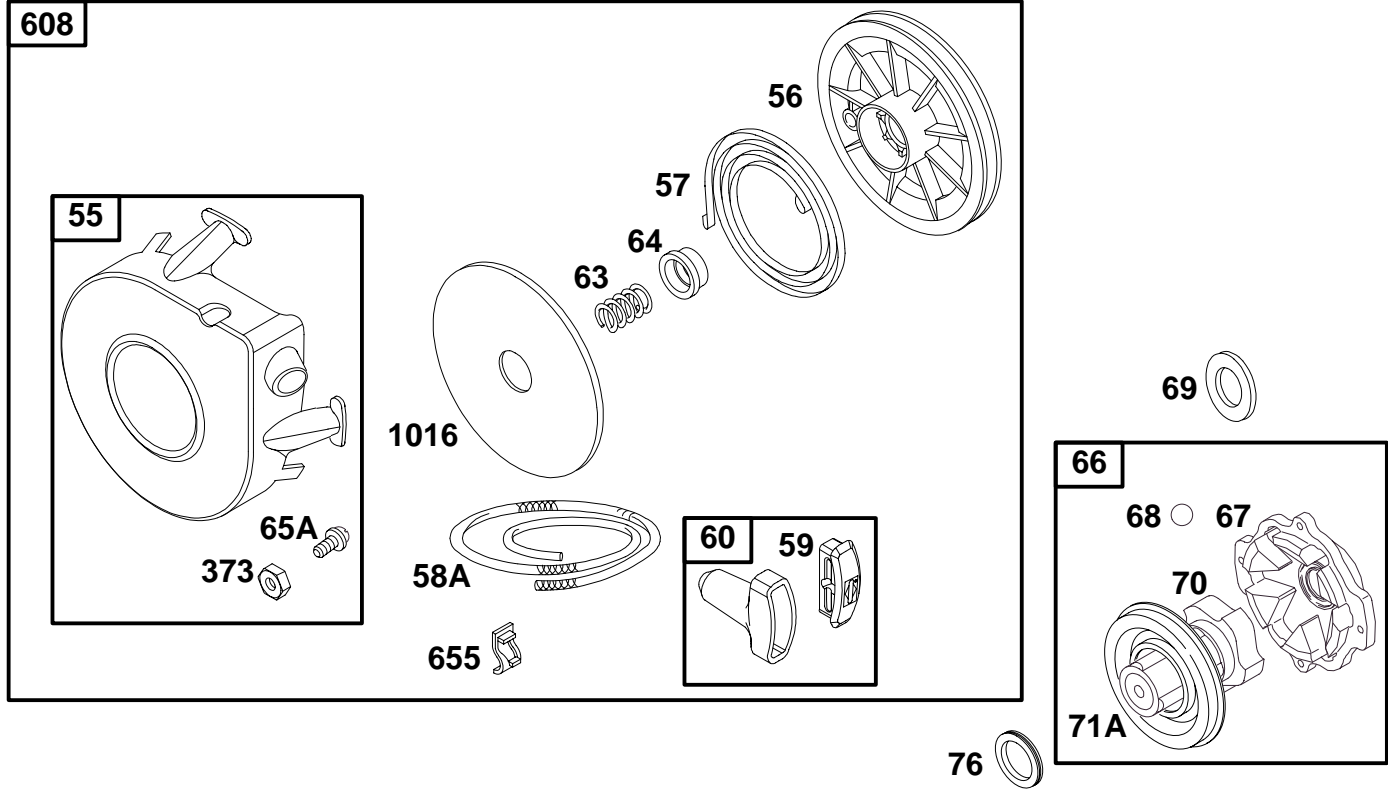
# 222400 to 222499



| REF. NO. | PART NO. | DESCRIPTION        | REF. NO. | PART NO. | DESCRIPTION         | REF. NO. | PART NO. | DESCRIPTION           |
|----------|----------|--------------------|----------|----------|---------------------|----------|----------|-----------------------|
| 23       | 391988   | Flywheel           | 304      | 490446   | Housing-Blower      | 682      | 211516   | Shield-Clutch         |
| 23A      | 498896   | Flywheel           |          |          | <b>Note</b>         | 726      | 392134   | Gear-Ring             |
| 37       | 224886   | Guard-Flywheel     |          |          | 490344              |          |          | (Includes Mtg. Parts) |
| 37A      | 221968   | Guard-Flywheel     |          |          | Blower              | 727      | 395405   | Cover-Starter Drive   |
| 38       | 94811    | Screw-Hex.         |          |          | Used on Type No(s). | 989      | 491060   | Switch-Stop           |
| 73       | 224874   | Screen-Rotating    |          |          | 0721.               |          |          | (Used After Code Date |
| 73A      | 224517   | Screen-Rotating    | 305      | 94786    | Screw-Hex.          |          |          | 96123100).            |
| 75       | 224061   | Washer-Flywheel    | 332      | 92284    | Nut-Flywheel        |          |          | <b>Note</b>           |
| 78       | 94626    | Screw-Phillips     | 363      | 19203    | Flywheel Puller     |          |          | 399668                |
| 169      | 93713    | Washer-Lock        | 423      | 94903    | Screw-Shoulder      |          |          | (Used Before Code     |
| 231      | 94238    | Screw-Slotted Hex. | 455      | 222561   | Cup-Flywheel        |          |          | Date 97010100).       |

★ Included in Gasket Set-Part No. 492653.  
 ● Included in Carburetor Kit-See Ref. 121.

∅ Included in Valve Overhaul Gasket Set-Part No. 498537.

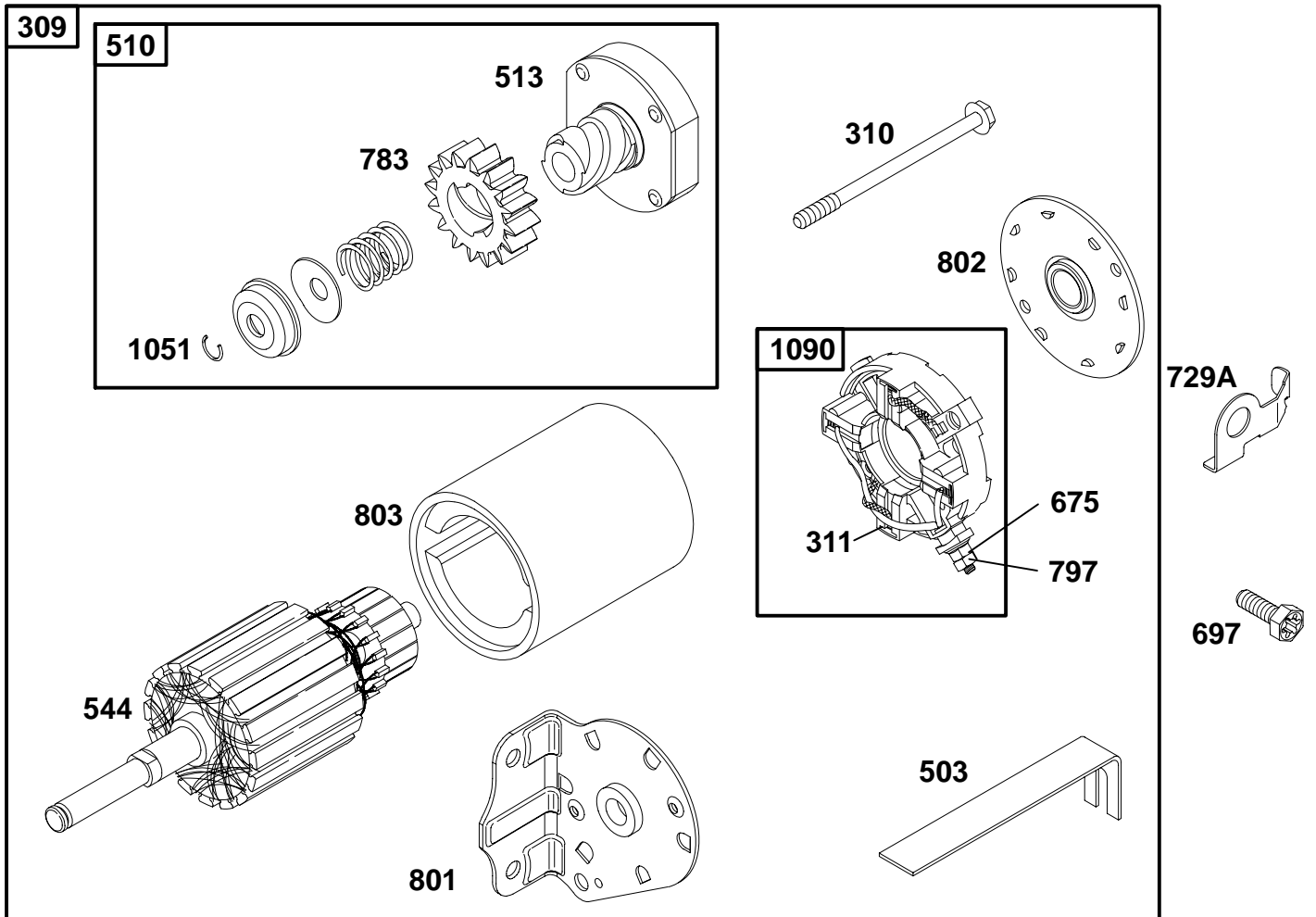


| REF. NO. | PART NO. | DESCRIPTION  | REF. NO. | PART NO. | DESCRIPTION  | REF. NO. | PART NO. | DESCRIPTION  |
|----------|----------|--|----------|----------|--|----------|----------|--|
| 55       | 393576   | Housing–Rewind Starter<br><b>Note</b><br>398099 Housing–Rewind Starter<br>Used on Type No(s).<br>0516, 0601, 0602, 0604, 0630, 0631, 0632, 0633, 0634, 0654, 0658, 0706, 0707, 0723, 0725. | 59       | 490653   | Insert–Grip  | 69       | 66718    | Washer   |
| 56       | 295871   | Pulley–Starter (Includes Rope)   | 60       | 490652   | Grip–Starter Rope<br><b>Note</b><br>398101 Grip–Starter Rope<br>Used on Type No(s).<br>0516, 0601, 0602, 0604, 0630, 0631, 0632, 0633, 0634, 0654, 0658, 0706, 0707, 0723, 0725. | 70       | 298799   | Ratchet–Clutch   |
| 57       | 490179   | Spring–Rewind Starter  | 63       | 260414   | Spring–Ratchet   | 71A      | 394506   | Cover–Ratchet  |
| 58A      | 66894    | Rope–Starter (Cut to Required Length)  | 64       | 281204   | Adapter–Spring   | 76       | 68238    | Seal   |
|          |          |  | 65A      | 94128    | Screw–Hex.   | 373      | 92987    | Nut–Hex.   |
|          |          |  | 66       | 399671   | Clutch–Starter   | 608      | 390391   | Starter–Rewind<br><b>Note</b><br>397982 Starter–Rewind<br>Used on Type No(s).<br>0516, 0601, 0602, 0604, 0630, 0631, 0632, 0633, 0634, 0654, 0658, 0706, 0707, 0723, 0725. |
|          |          |  | 67       | 394897   | Housing–Clutch   | 655      | 222598   | Anchor–Spring  |
|          |          |  | 68       | 63770    | Ball–Clutch  | 1016     | 490817   | Spacer–Rewind  |

★ Included in Gasket Set–Part No. 492653.  
● Included in Carburetor Kit–See Ref. 121.

∅ Included in Valve Overhaul Gasket Set–Part No. 498537.

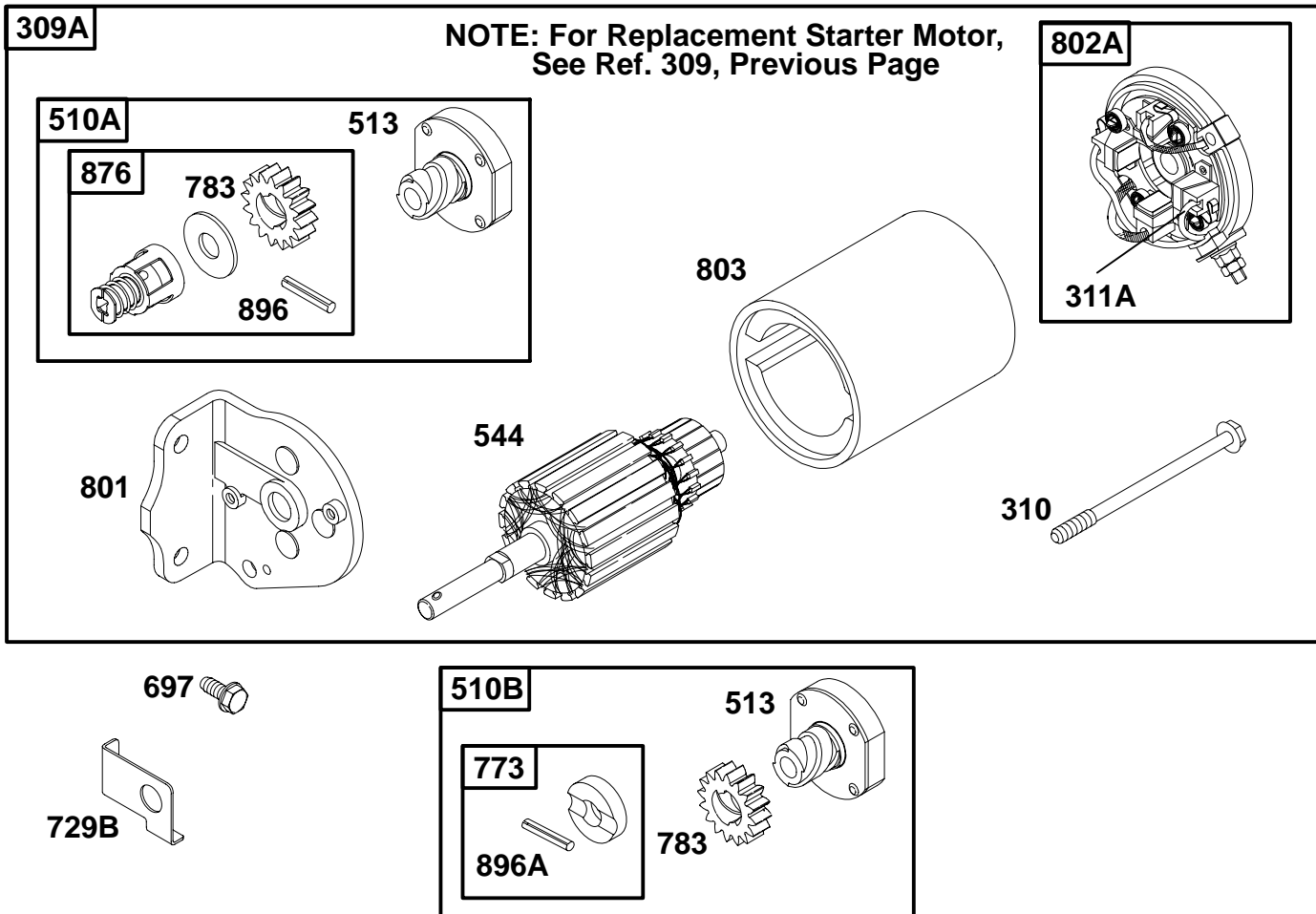
# 222400 to 222499



| REF. NO. | PART NO. | DESCRIPTION  | REF. NO. | PART NO. | DESCRIPTION                                 | REF. NO. | PART NO. | DESCRIPTION                                |
|----------|----------|--|----------|----------|---|----------|----------|--|
| 309      | 693054   | Motor-Starter<br>(3 5/8" Housing Lgth.)                | 311      | 497608   | Brush Set                                   | 783      | 693059   | Gear-Starter                               |
|          |          | <b>Note</b>  | 503      | 806000   | Strap-Starter                               | 797      | 92278    | Nut<br>(Starter Terminal)                  |
|          | 499521   | Motor-Starter<br>(4 3/8" Housing Lgth.)                | 510      | 497606   | Drive-Starter                               | 801      | 497626   | Cap-Drive                                  |
| 310      | 94003    | Bolt<br>(Starter Motor)<br>(For 3 5/8" Housing Length) | 513      | 398003   | Clutch-Drive                                | 802      | 497607   | Cap-End                                    |
|          |          | <b>Note</b>  | 544      | 497603   | Armature-Starter<br>(3 5/8" Housing Length) | 803      | 497604   | Housing-Starter<br>(3 5/8" Housing Length) |
|          | 95035    | Bolt<br>(Starter Motor)<br>(For 4 3/8" Housing Length) | 675      | 225137   | Washer-Flat<br>(Starter Motor)              | 1051     | 263080   | Ring-Retaining                             |
|          |          |  | 697      | 94773    | Screw-Torx® Hex<br>(Starter Motor Mounting) | 1090     | 497605   | Retainer-Brush                             |
|          |          |  | 729A     | 225170   | Clip-Wire                                   |          |          |  |

★ Included in Gasket Set-Part No. 492653.  
 ● Included in Carburetor Kit-See Ref. 121.

∅ Included in Valve Overhaul Gasket Set-Part No. 498537.

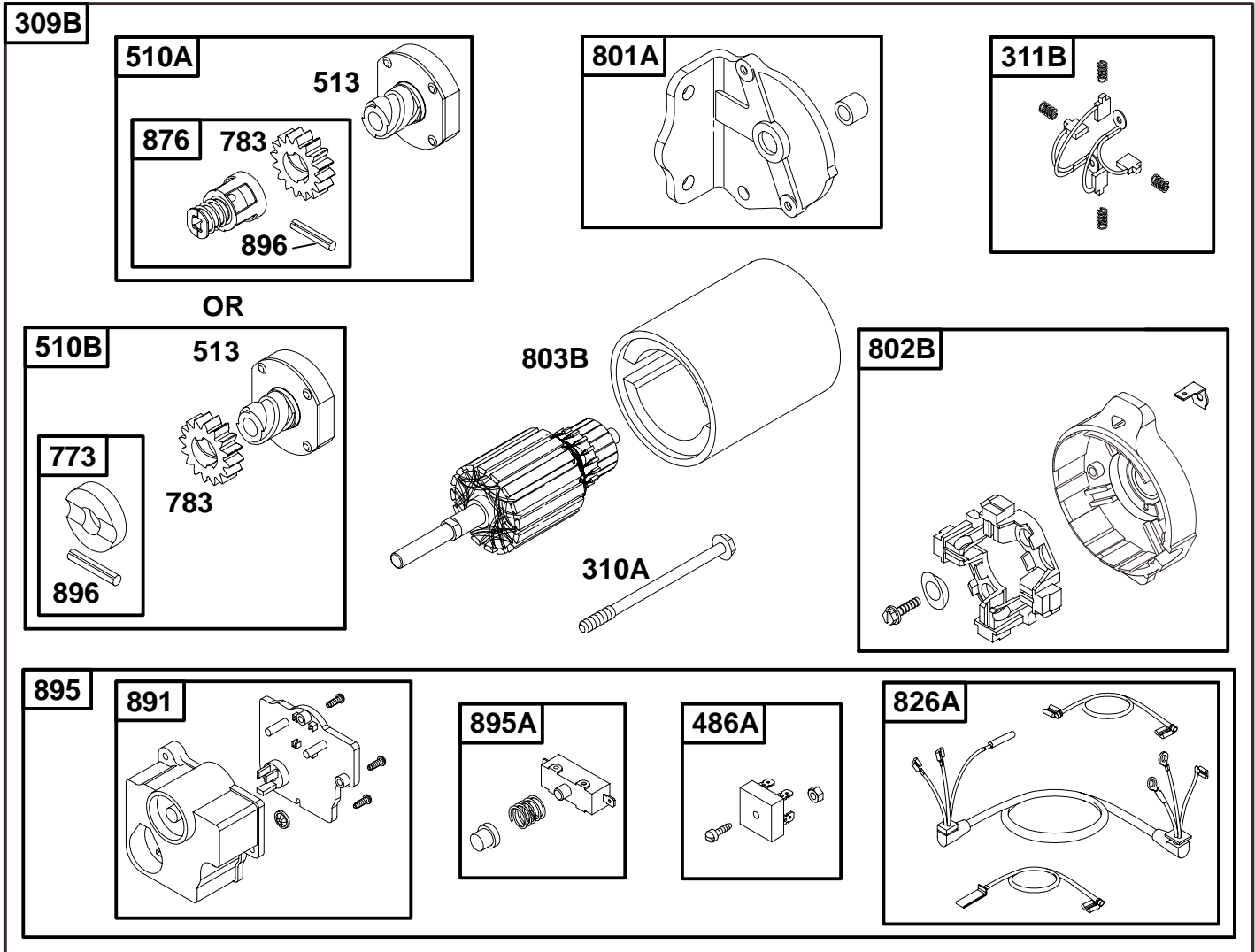


| REF. NO.    | PART NO.      | DESCRIPTION   | REF. NO.    | PART NO.      | DESCRIPTION   | REF. NO.    | PART NO.      | DESCRIPTION                                    |
|-------------|---------------|---|-------------|---------------|---|-------------|---------------|--|
| <b>309A</b> |               | Motor-Starter<br>(For Replacement Starter Motor, See Ref 309, Previous Page.) | <b>510A</b> | <b>495878</b> | Drive-Starter   | <b>783</b>  | <b>693059</b> | Gear-Starter                                   |
|             |               |   | <b>510B</b> | <b>391461</b> | Drive-Starter   | <b>801</b>  | <b>394856</b> | Cap-Drive                                      |
|             |               |   | <b>513</b>  | <b>398003</b> | Clutch-Drive  | <b>802A</b> | <b>395537</b> | Cap-End  |
| <b>310</b>  | <b>94003</b>  | Bolt<br>(Starter Motor)<br>(For 3 5/8" Housing Length)                        | <b>544A</b> | <b>390837</b> | Armature-Starter<br>(For Motors With and 3 5/8" Housings)         | <b>803A</b> | <b>398159</b> | Housing-Starter<br>(3 21/32" Long)             |
|             |               | <b>Note</b> _____   |             |               | <b>Note</b> _____   |             |               | <b>494205</b> Housing-Starter<br>(4 3/8" Long) |
|             |               | <b>95035</b> Bolt<br>(Starter Motor)<br>(For 4 3/8" Housing Length)           |             |               | <b>391160</b> Armature-Starter<br>(For Motor With 4 3/8" Housing) | <b>876</b>  | <b>495877</b> | Kit-Gear                                       |
| <b>311A</b> | <b>395538</b> | Brush Set<br>(For Motors With 3 5/8" and 4 3/8" Housings)                     | <b>697</b>  | <b>94773</b>  | Screw-Torx® Hex<br>(Starter Motor Mounting)                       | <b>896</b>  | <b>94288</b>  | Pin-Drive Retainer<br>(Copper Flash Finish)    |
|             |               |   | <b>729B</b> | <b>224723</b> | Clip-Wire   | <b>896A</b> | <b>94192</b>  | Pin-Drive Retainer<br>(Black)                  |
|             |               |   | <b>773</b>  | <b>391462</b> | Retainer-Clutch   |             |               |  |

★ Included in Gasket Set-Part No. 492653.  
● Included in Carburetor Kit-See Ref. 121.

Ø Included in Valve Overhaul Gasket Set-Part No. 498537.

# 222400 to 222499

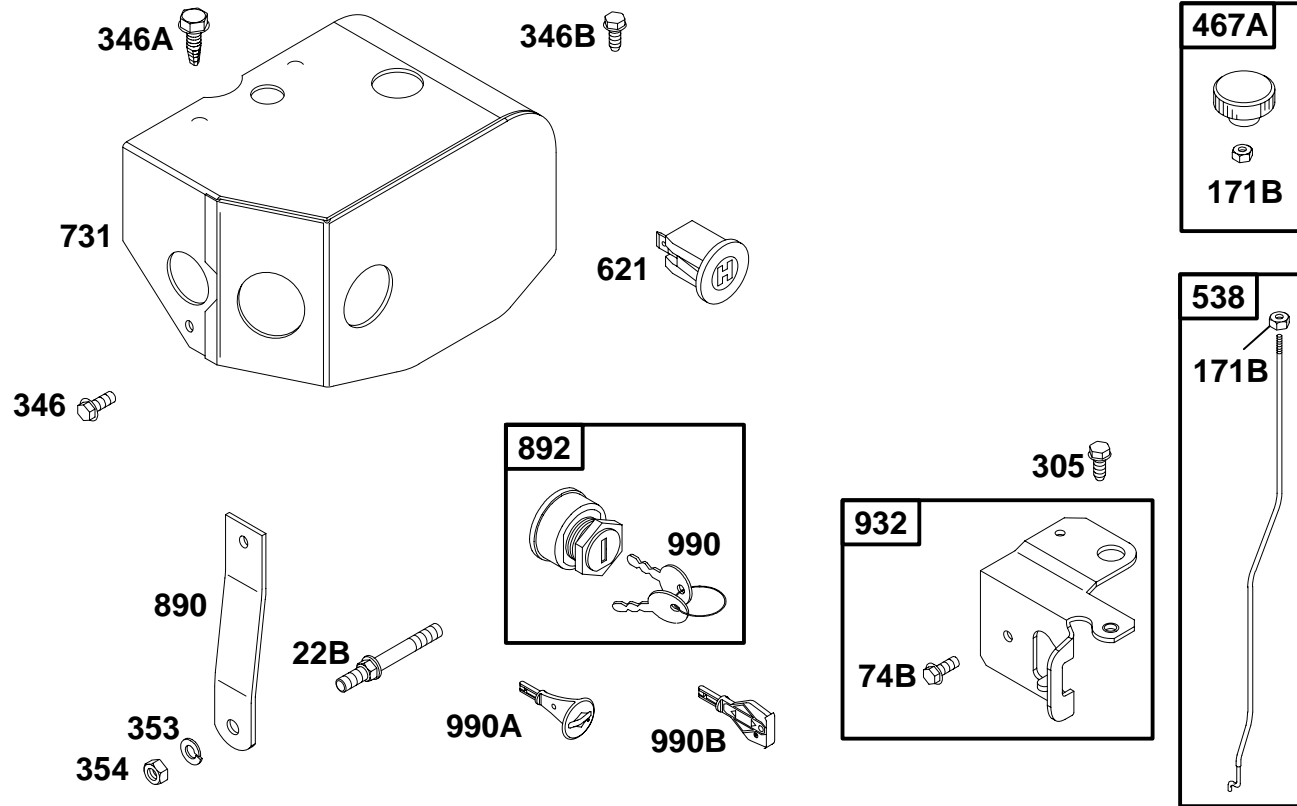


| REF. NO. | PART NO. | DESCRIPTION              | REF. NO. | PART NO. | DESCRIPTION  | REF. NO. | PART NO. | DESCRIPTION                               |
|----------|----------|--------------------------|----------|----------|--|----------|----------|---|
| 309B     | 396505   | Motor-Starter (120 Volt) | 801A     | 394398   | Cap-Drive  | 826A     | 393706   | Harness-Wiring                            |
| 310A     | 93934    | Screw-Hex.               | 802B     | 491192   | Cap-End (Used After Code Date 87033100).                 | 876      | 495877   | Kit-Gear                                  |
| 311B     | 393612   | Brush Set                |          |          | <b>Note</b>  | 891      | 393705   | Housing-Switch                            |
| 486A     | 393707   | Rectifier                |          |          | 491778 Cap-End (Used Before Code Date 87040100).         | 895      | 393486   | Switch-Starting                           |
| 510A     | 495878   | Drive-Starter            | 803B     | 491008   | Housing-Starter (Used After Code Date 87033100).         | 895A     | 393708   | Switch-Starting                           |
| 510B     | 391461   | Drive-Starter            |          |          | <b>Note</b>  | 896      | 94288    | Pin-Drive Retaining (Copper Flash Finish) |
| 513      | 398003   | Clutch-Drive             |          |          | 394254 Housing-Starter (Used Before Code Date 87040100). |          |          | <b>Note</b>                               |
| 728      | 94773    | Screw-Torx® Hex.         |          |          |  |          |          | 94192 Pin-Drive Retaining (Black)         |
| 735      | 390966   | Cord-Starter             |          |          |  |          |          |   |
| 773      | 391462   | Retainer-Clutch          |          |          |  |          |          |   |
| 783      | 280104   | Gear-Starter             |          |          |  |          |          |   |

★ Included in Gasket Set-Part No. 492653.  
 ● Included in Carburetor Kit-See Ref. 121.

∅ Included in Valve Overhaul Gasket Set-Part No. 498537.

222400 to 222499



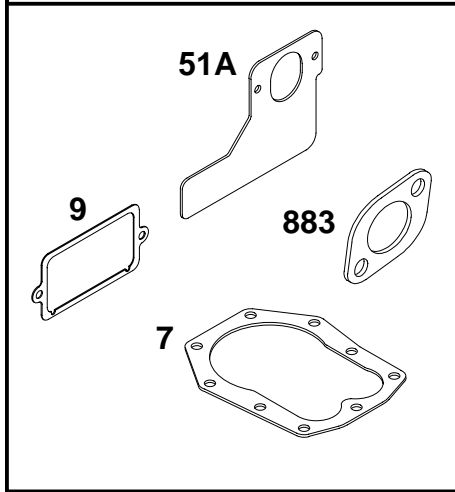
| REF. NO. | PART NO. | DESCRIPTION                      | REF. NO. | PART NO. | DESCRIPTION   | REF. NO. | PART NO. | DESCRIPTION   |
|----------|----------|----------------------------------|----------|----------|---|----------|----------|---|
| 22B      | 94931    | Stud-Hex. Drive                  | 621      | 491060   | Switch-Stop<br>Used on Type No(s).<br>0631, 0658.                                 | 890      | 222710   | Bracket-Support   |
| 74B      | 93042    | Screw-Hex.                       |          |          |   |          |          | <b>Note</b>   |
| 171B     | 90356    | Nut-Hex.                         | 731      | 399158   | Hood-Snow   |          |          | 223283 Bracket-Support  |
| 305      | 94786    | Screw                            |          |          | <b>Note</b>   |          |          | Used on Type No(s).<br>0631, 0658.                            |
| 346      | 93705    | Screw<br>(Hood to Strap)         |          |          | 399154 Hood-Snow<br>Used on Type No(s).<br>0631, 0658.                            |          |          | 223825 Bracket-Support  |
| 346A     | 93490    | Screw<br>(Hood To Blower Hsg.)   |          |          | 490173 Hood-Snow<br>Used on Type No(s).<br>0720, 0721, 0722,<br>0723, 0725, 4001. |          |          | Used on Type No(s).<br>0720, 0721, 0722,<br>0723, 0725, 4001. |
| 346B     | 93640    | Screw<br>(Hood To Cylinder Head) |          |          |   | 892      | 392833   | Key Switch  |
| 353      | 90366    | Washer-Lock                      |          |          |   | 932      | 396084   | Guide-Rod   |
| 354      | 94314    | Nut-Hex.                         |          |          |   | 990      | 392832   | Key Set   |
| 467A     | 391908   | Knob-Control                     |          |          |   | 990A     | 490023   | Key Set   |
| 538      | 396085   | Rod-Governor Control             |          |          |   | 990B     | 280596   | Key-Ignition  |

★ Included in Gasket Set-Part No. 492653.  
● Included in Carburetor Kit-See Ref. 121.

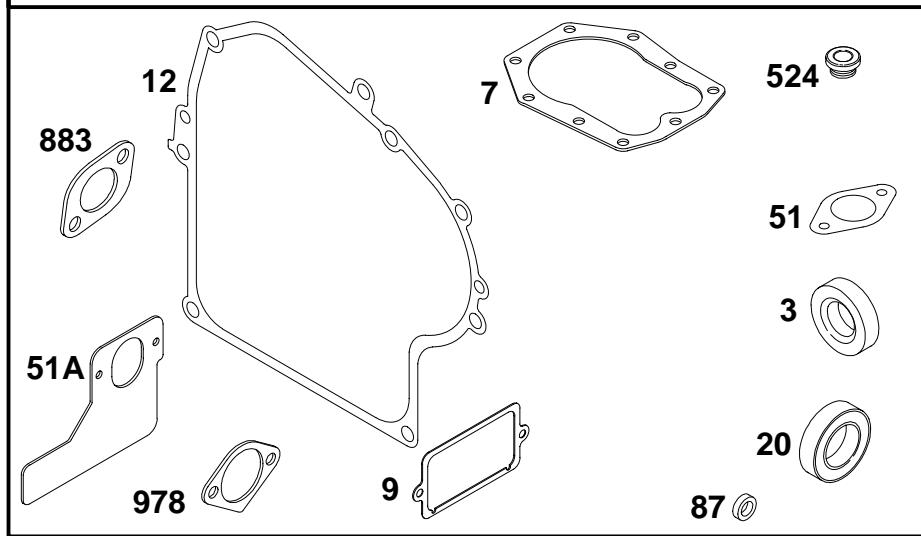
∅ Included in Valve Overhaul Gasket Set-Part No. 498537.

## 222400 to 222499

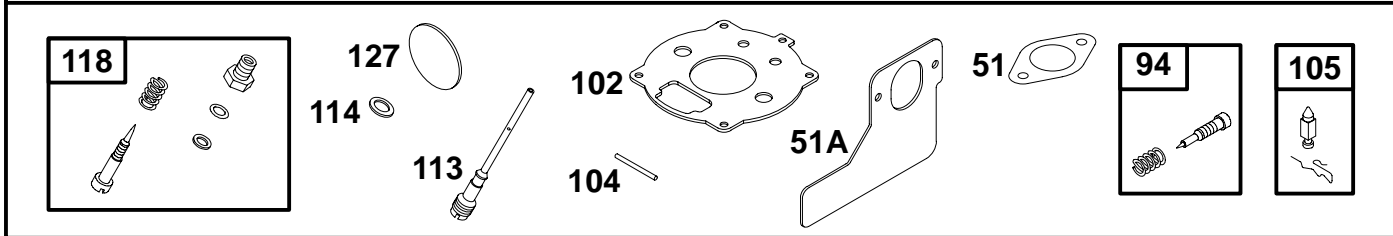
### 1095 VALVE OVERHAUL GASKET SET



### 358 GASKET SET



### 121 CARBURETOR KIT



| REF. NO. | PART NO.  | DESCRIPTION                            | REF. NO. | PART NO. | DESCRIPTION   | REF. NO. | PART NO. | DESCRIPTION   |
|----------|-----------|--|----------|----------|---|----------|----------|---|
| 3        | ★391086   | Seal-Oil                               | 87       | ★491323  | Seal-Governor Shaft   | 121      | 394989   | Carburetor Kit (Used After Code Date 81060111).         |
| 7        | ∅★271866  | Gasket-Cylinder Head                   | 94       | ●292681  | Valve-Idle Adjustment                                       |          |          | <b>Note</b>   |
| 9        | ∅★27803   | Gasket-Breather                        | 102      | ●270268  | Gasket-Carburetor Body                                      |          |          | 391071 Carburetor Kit (Used Before Code Date 81060211). |
| 12       | ★272125   | Gasket-Crankcase (.015" Thick)         | 104      | ●230896  | Pin-Float Hinge   |          |          |   |
|          |           | <b>Note</b>                            | 105      | ●394681  | Kit-Needle/Seat   |          |          |   |
|          |           | ★272219 Gasket-Crankcase (.005" Thick) | 113      | ●394730  | Nozzle-Carburetor (Used After Code Date 81060111).          |          |          |   |
|          |           | ★272220 Gasket-Crankcase (.009" Thick) |          |          | <b>Note</b>   |          |          |   |
| 20       | ★291675   | Seal-Oil                               |          |          | ●390950 Nozzle-Carburetor (Used Before Code Date 81060211). | 127      | ●221747  | Plug-Welch  |
| 51       | ★●270267  | Gasket-Intake                          | 114      | ●68667   | Gasket-Nozzle   | 358      | 492653   | Gasket Set  |
| 51A      | ∅★●498869 | Gasket-Carburetor Mounting             | 118      | ●99525   | Valve-High-Speed  | 524      | ★281370  | Seal-Fill Tube  |
|          |           |  |          |          |   | 883      | ∅★272293 | Gasket-Exhaust  |
|          |           |  |          |          |   | 978      | ★271736  | Gasket  |
|          |           |  |          |          |   | 1095     | 498537   | Gasket Set-Valve Overhaul                               |

★ Included in Gasket Set-Part No. 492653.  
● Included in Carburetor Kit-See Ref. 121.

∅ Included in Valve Overhaul Gasket Set-Part No. 498537.