

# 19E400 to 19E499

## Illustrated Parts List Model Series 19E400 to 19E499

TYPE NUMBERS  
0069, 0073, 0074,  
0107, 0108, 0120,  
0130 through 0136,  
1069,  
1075, 1107, 1120,  
1131, 1132, 1133,  
1134, 1135, 1136,  
1164 through 1169.

### TO FIND THE CORRECT NUMBER OF THE PART YOU NEED: FOLLOW THE INSTRUCTIONS BELOW

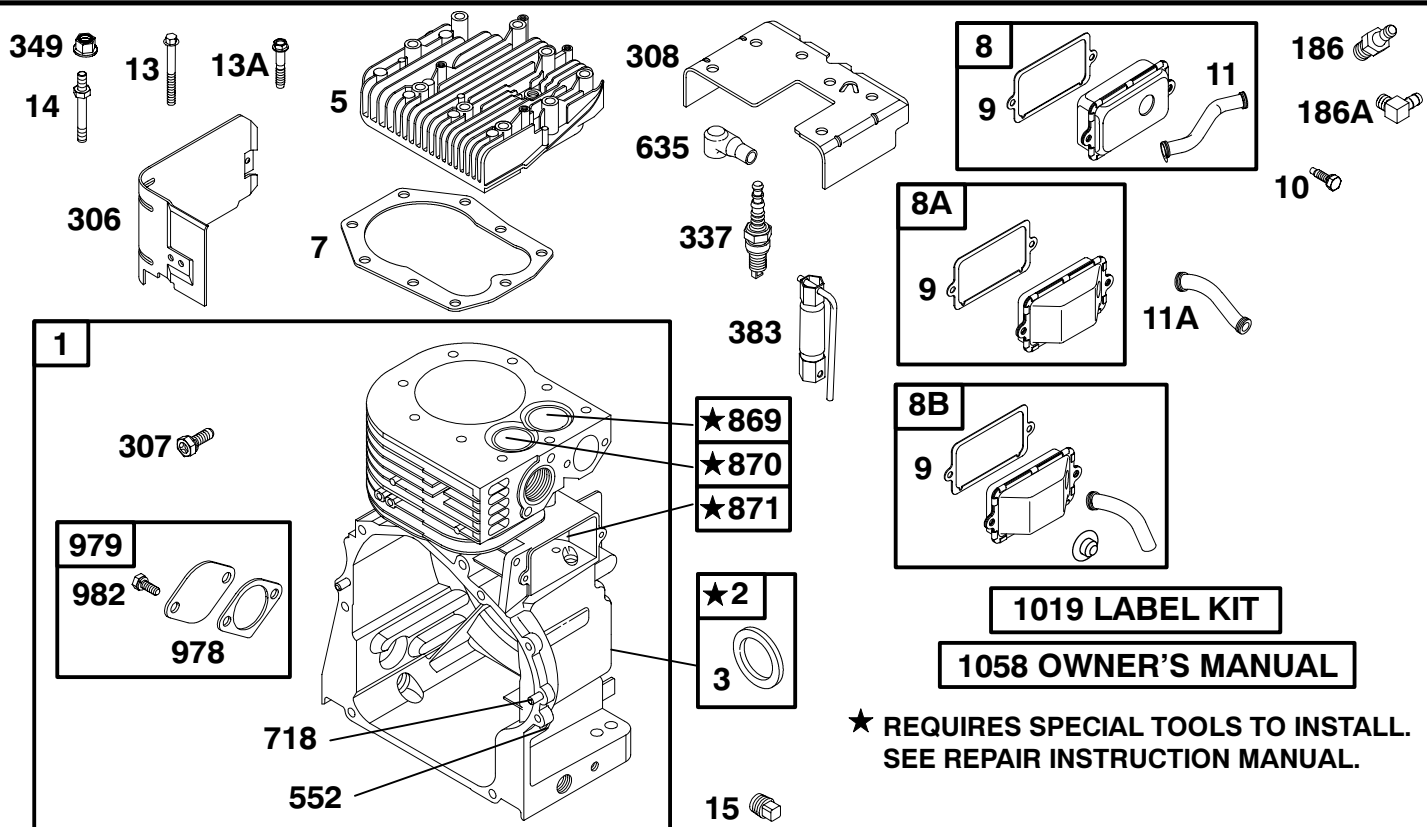
- A. Refer to Engine Model, Type and Code Number that is stamped on the blower housing of engine. Engine type numbers such as 0123 01 are listed only as 0123 in most instances. The two digits (01 or 02, etc.) to the right of the space may be required for more accurate parts identification in some instances. Select the Illustrated Parts List covering the correct Model Series and Type Number.
- B. Refer to the Illustrations and compare the original part with Illustration. The number next to the illustration is the Reference Number. Assemblies include all parts shown in frames. All parts shown in assembly frames having individual reference numbers can be purchased separately.
- C. After the Reference Number has been identified, refer to the Numerical text, where Reference and Primary Part Number are listed. **THE PRIMARY PART IS USED ON ALL TYPE NUMBERS EXCEPT THOSE TYPE NUMBERS UNDER "NOTE."**
- D. If a "Note" appears below the Primary Part Number, it means that this part differs from the Primary Part for certain types. If your Type number is listed under "Note," order the part referred to at the "Note."
- E. If your Engine Type Number does not appear after any part number listed under "Note," use the Primary Part Number.
- F. For Engine Type Numbers not covered by this book, check other Parts Lists having the same engine model or contact your source of supply.

PRINTED IN U.S.A.



COPYRIGHT by BRIGGS & STRATTON CORPORATION  
All rights reserved. No part of this material may be reproduced or transmitted, in any form or by any means, electronic or mechanical, including photocopying, recording or by any information storage and retrieval system, without permission in writing from Briggs & Stratton Corporation.

# 19E400 to 19E499



**1019 LABEL KIT**  
**1058 OWNER'S MANUAL**

★ **REQUIRES SPECIAL TOOLS TO INSTALL. SEE REPAIR INSTRUCTION MANUAL.**

REF. NO.	PART NO.	DESCRIPTION	REF. NO.	PART NO.	DESCRIPTION	REF. NO.	PART NO.	DESCRIPTION
1	495656	Cylinder Assembly	11	280819	Tube-Breather (Used After Code Date 95040200).	552	491986	Bushing-Governor Crank
2	495657	Kit-Bushing/Seal (Magneto Side)	11A	280225	Tube-Breather (Used After Code Date 95010100 and Before Code Date 95040300).	635	66538	Boot-Sparkplug
3	★391086	Seal-Oil (Magneto Side)	13	94565	Screw (Cylinder Head)	718	230192	Pin-Locating
5	691159	Head-Cylinder	13A	94622	Screw (Cylinder Head)	869	211661	Seat-Valve (Intake)
7	★272163	Gasket-Cylinder Head	14	94926	Stud (Cylinder Head)	870	262924	Seat-Valve (Exhaust)
8	498038	Breather Assembly (Used After Code Date 95040200).	15	94239	Plug-Oil Drain	871	261961	Bushing-Valve Guide (Exhaust)
8A	495736	Breather Assembly (Used After Code Date 95010100 and Before Code Date 95040300).	----- Note -----					231218 Bushing-Valve Guide (Intake)
8B	497710	Breather Assembly (Used Before Code Date 95010200).		690289	Plug-Oil Drain (Magnetic)	978	★273326	Gasket-Oil Gard®
9	★27803	Gasket-Breather	186	230318	Connector-Hose	979	691382	Cover-Oil Gard®
10	691666	Screw (Breather Assembly)	186A	67218	Connector-Hose	982	690351	Screw (OIL GARD® Cover)
			306	496797	Shield-Cylinder	1019	497156	Kit-Label
			307	94930	Screw (Cylinder Shield)	1058	274268	Owner's Manual (Emission Engines)
			308	691212	Cover-Cylinder Head	----- Note -----		
			337	496018	Sparkplug		272848	Owner's Manual (Non Emission Engines)
			349	691105	Nut (Cylinder Cover)			
			383	89838	Wrench-Sparkplug			

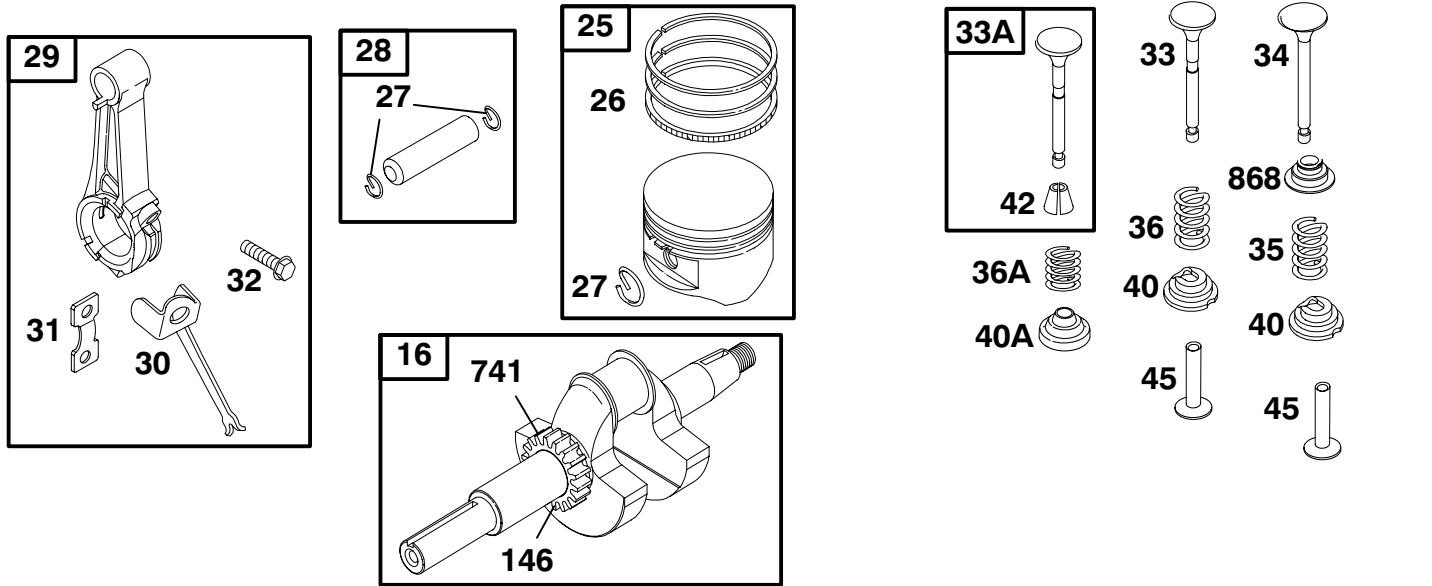
★ Included in Engine Gasket Set-Ref. No. 358.

● Included in Carburetor Overhaul Kit-See Ref. No. 121.

◆ Included in Valve Gasket Set-Ref. No. 1095.

◆ Included in Carburetor Gasket Set-Ref. No. 977.

# 19E400 to 19E499

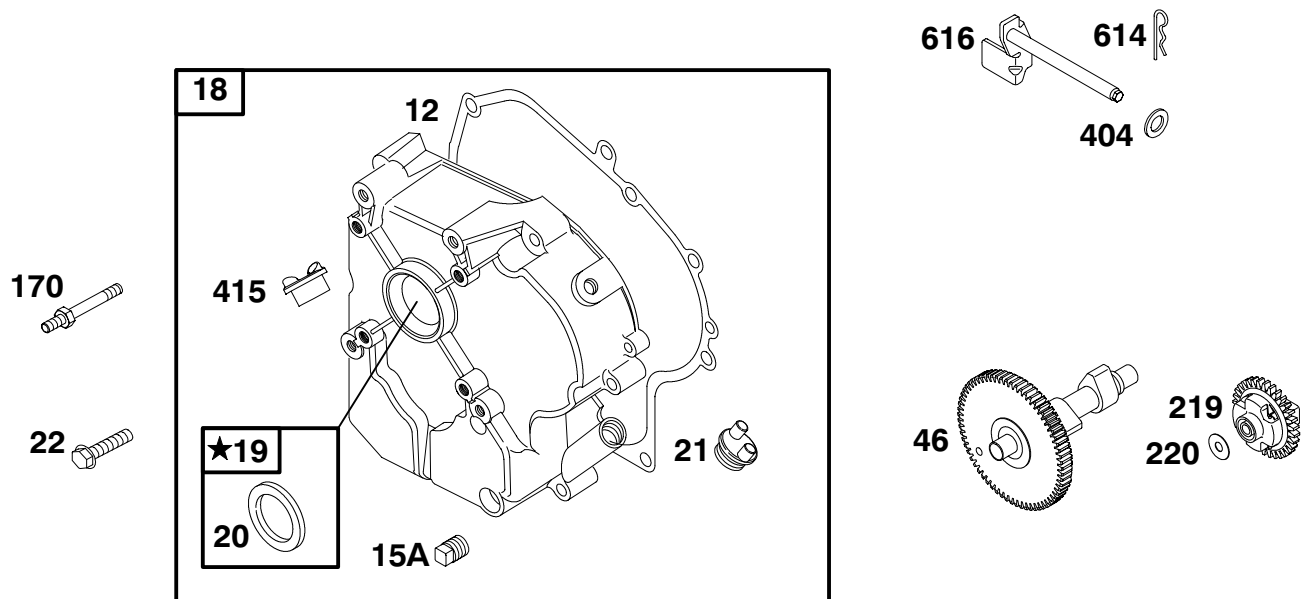


REF. NO.	PART NO.	DESCRIPTION	REF. NO.	PART NO.	DESCRIPTION	REF. NO.	PART NO.	DESCRIPTION
16	495790	Crankshaft ----- <b>Note</b> ----- 495788 Crankshaft Used on Type No(s). 0133, 1069, 1075, 1131, 1134, 1135, 1164, 1165, 1167, 1168.	27	263181	Lock-Piston Pin (Used After Code Date 96102700). ----- <b>Note</b> ----- 691073 Lock-Piston Pin (Used Before Code Date 96102800).	30	222113	Dipper-Connecting Rod
25	499960	Piston Assembly (Standard) ----- <b>Note</b> ----- 499961 Piston Assembly (.010" O.S.) 499962 Piston Assembly (.020" O.S.) 499963 Piston Assembly (.030" O.S.)	28	499302	Pin-Piston (Standard) (Used After Code Date 96102700). ----- <b>Note</b> ----- 295840 Pin-Piston (Standard) (Used Before Code Date 96102800). 499303 Pin-Piston (.005" O.S.) (Used After Code Date 96102700). 295841 Pin-Piston (.005" O.S.) (Used Before Code Date 96102800).	31	222114	Lock-Rod Screw
26	690014	Ring Set (Standard) ----- <b>Note</b> ----- 299743 Ring Set (Standard Chrome) 690015 Ring Set (.010" O.S.) 690016 Ring Set (.020" O.S.) 690017 Ring Set (.030" O.S.)	29	390401	Rod-Connecting ----- <b>Note</b> ----- 390773 Rod- Connecting (.020" Undersize)	32	690352	Screw (Connecting Rod)
						33	691287	Valve-Exhaust
						33A	390419	Valve-Exhaust (Used Before Code Date 95041700).
						34	261055	Valve-Intake
						35	65906	Spring-Valve (Intake)
						36	65906	Spring-Valve (Exhaust)
						36A	26828	Spring-Valve (Exhaust) (Used Before Code Date 95041700).
						40	221596	Retainer-Valve
						40A	292260	Retainer-Valve (Exhaust) (Used Before Code Date 95041700).
						42	494553	Keeper-Valve (Exhaust) (Used Before Code Date 95041700).
						45	260933	Tappet-Valve
						146	94388	Key-Timing
						741	691288	Gear-Timing
						868	497656	Seal-Valve

★ Included in Engine Gasket Set-Ref. No. 358.  
● Included in Carburetor Overhaul Kit-See Ref. No. 121.

◆ Included in Valve Gasket Set-Ref. No. 1095.  
◆ Included in Carburetor Gasket Set-Ref. No. 977.

# 19E400 to 19E499



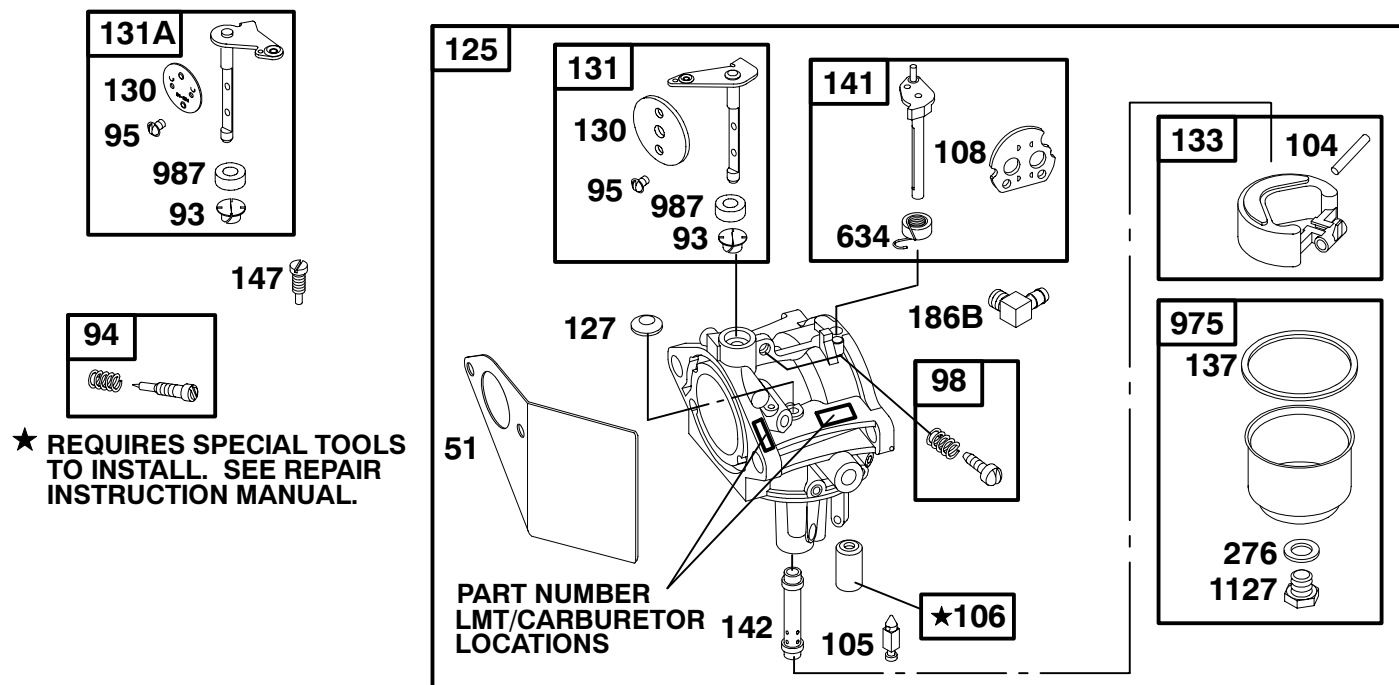
REF. NO.	PART NO.	DESCRIPTION	REF. NO.	PART NO.	DESCRIPTION	REF. NO.	PART NO.	DESCRIPTION
12	★271701	Gasket-Crankcase (.015", Standard)	19	295964	Kit-Bushing/Seal (PTO Side)	46	214786	Camshaft
		----- <b>Note</b> -----	20	★391086	Seal-Oil (PTO Side)	170	94931	Stud (Crankcase Cover)
		★27876 Gasket-Crankcase (.005")	21	281658	Cap-Oil Fill	219	496786	Gear-Governor
		★27877 Gasket-Crankcase (.009")	22	93585	Screw (Crankcase Cover)	220	221551	Washer (Governor Gear)
15A	690283	Plug-Oil Drain			----- <b>Note</b> -----	404	94927	Washer (Governor Crank)
18	496984	Cover-Crankcase			691103 Screw (Crankcase Cover) (Used in Position No. 1)	415	693463	Plug
						614	93306	Pin-Cotter
						616	691405	Crank-Governor

★ Included in Engine Gasket Set-Ref. No. 358.

● Included in Carburetor Overhaul Kit-See Ref. No. 121.

◆ Included in Valve Gasket Set-Ref. No. 1095.

◆ Included in Carburetor Gasket Set-Ref. No. 977.

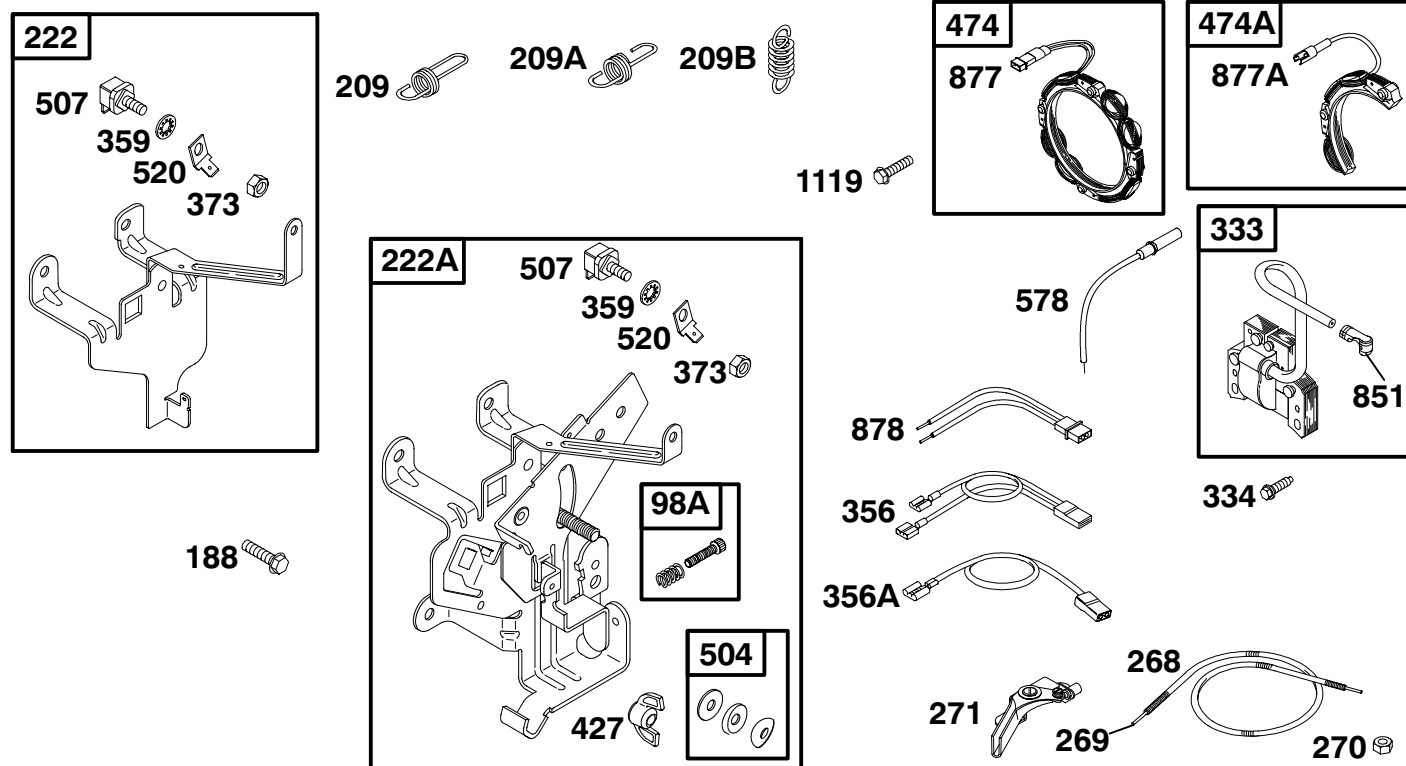


REF. NO.	PART NO.	DESCRIPTION	REF. NO.	PART NO.	DESCRIPTION	REF. NO.	PART NO.	DESCRIPTION
51	●♦272708	Gasket-Intake	131A	497159	Kit-Throttle Shaft (Used Before Code Date 94090100).			499826 Nozzle-Carburetor (High Altitude) (LMT 172)
93	●690602	Bushing-Throttle Shaft						499032 Nozzle-Carburetor (High Altitude) (LMT 141)
94	496589	Kit-Idle Mixture (LMT 172)	133	494381	Float-Carburetor			497198 Nozzle-Carburetor (High Altitude) (LMT 102)
		----- Note -----	137	●♦281165	Gasket-Float Bowl			497848 Nozzle-Carburetor (High Altitude) (LMT 113, 114, 116)
		494383 Kit-Idle Mixture (LMT 102, 113, 114, 116)	141	497160	Kit-Choke Shaft			147 ●497472 Jet-Pilot (LMT 102, 113, 114, 116)
		498836 Kit-Idle Mixture (LMT 141)	142	●690128	Nozzle-Carburetor (Standard) (LMT 186)			----- Note -----
95	●94098	Screw (Throttle Valve)						691477 Nozzle-Carburetor (Standard) (LMT 172)
98	495800	Kit-Idle Speed						691477 Nozzle-Carburetor (Standard) (LMT 172)
104	●690525	Pin-Float Hinge						498716 Nozzle-Carburetor (Standard) (LMT 141)
105	●231935	Valve-Float Needle						●497564 Nozzle-Carburetor (Standard) (LMT 113, 114, 116)
106	●231856	Seat-Inlet						●497197 Nozzle-Carburetor (Standard) (LMT 102)
108	690467	Valve-Choke						690129 Nozzle-Carburetor (High Altitude) (LMT 186)
125	690115	Carburetor (LMT 186)						
		----- Note -----						
		499029 Carburetor (LMT 116, 141, 172)						186B 493496 Connector-Hose
		497164 Carburetor (LMT 102, 113, 114) (Used Before Code Date 94090100).						276 ●♦281164 Washer-Sealing
127	●694524	Plug-Welch						634 ●690802 Spring/Seal Assembly
130	224539	Valve-Throttle						975 495933 Bowl-Float
131	497846	Kit-Throttle Shaft						987 ●691326 Seal-Throttle Shaft
								1127 94642 Screw (Float Bowl)

★ Included in Engine Gasket Set-Ref. No. 358.  
 ● Included in Carburetor Overhaul Kit-See Ref. No. 121.

◆ Included in Valve Gasket Set-Ref. No. 1095.  
 ♦ Included in Carburetor Gasket Set-Ref. No. 977.

# 19E400 to 19E499



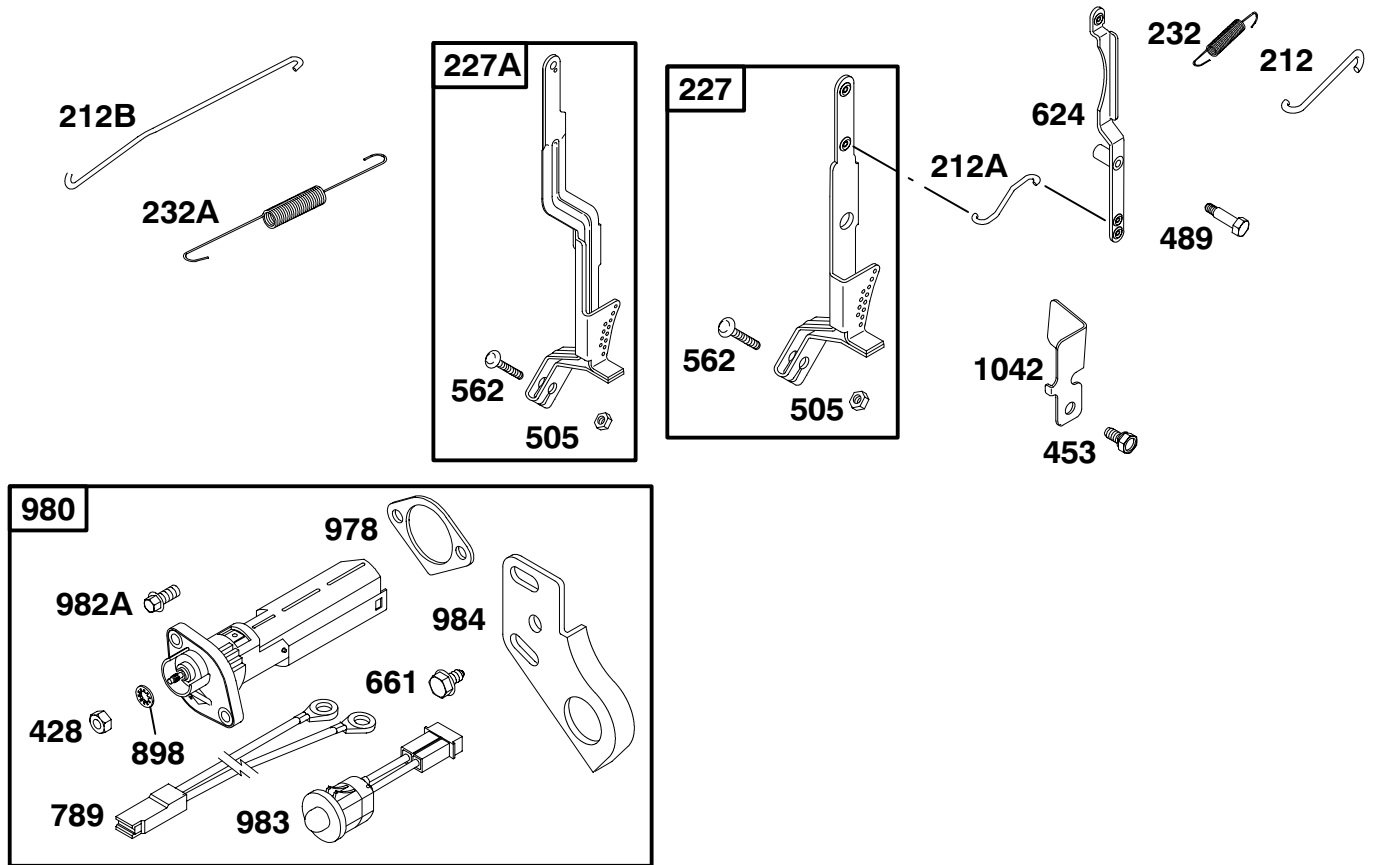
REF. NO.	PART NO.	DESCRIPTION	REF. NO.	PART NO.	DESCRIPTION	REF. NO.	PART NO.	DESCRIPTION
98A	493280	Kit-Idle Speed	268	65616	Casing-Control Wire (Cut to Required Length)	474	393474	Alternator (Dual Circuit)
188	94929	Screw (Control Bracket)	269	26633	Wire-Control (Cut to Required Length)	474A	391529	Alternator (DC Only)
209	692136	Spring-Governor	270	63426	Nut (Control Wire Casing)	504	495659	Washer Set-Friction
209A	263054	Spring-Governor (Used Before Code Date 97042800).	271	290568	Lever-Control	507	398525	Insulator
209B	260723	Spring-Governor Used on Type No(s). 0069, 0073, 0107, 0108, 0120, 0132.	333	398811	Armature-Magneto	520	691084	Terminal-Ground
222	694182	Bracket-Control (Used After Code Date 98111500).	334	94731	Screw (Magneto Armature)	578	393422	Wire Assembly
222A	691480	Bracket-Control (Used Before Code Date 98111600 and After Code Date 97042700). ----- Note ----- 497076 Bracket-Control (Used Before Code Date 97042800).	356	491391	Wire-Stop (Dual Stop Assembly Wire)	851	493880	Terminal-Sparkplug
			356A	491927	Wire-Stop (Terminal Assembly Wire) Used on Type No(s). 1135.	877	393814	Wire/Connector-Alternator (Single Lead)
			359	691077	Washer (Ground Terminal)	877A	393456	Wire/Connector-Alternator (Dual Lead)
			373	90576	Nut (Ground Terminal)	878	399916	Harness-Alternator
			427	690355	Nut (Control Bracket)	1119	93621	Screw (Alternator)

★ Included in Engine Gasket Set-Ref. No. 358.

● Included in Carburetor Overhaul Kit-See Ref. No. 121.

◆ Included in Valve Gasket Set-Ref. No. 1095.

◆ Included in Carburetor Gasket Set-Ref. No. 977.



REF. NO.	PART NO.	DESCRIPTION	REF. NO.	PART NO.	DESCRIPTION	REF. NO.	PART NO.	DESCRIPTION
212	263049	Link-Throttle (Linkage Lever To Throttle Shaft)	227A	496253	Lever-Governor Control (Long Lever)	624	691415	Lever-Linkage
212A	263051	Link-Throttle (Governor Control Lever To Linkage Lever)	232	263020	Spring-Governor Link	661	94896	Screw (OIL GARD®Light Bracket)
212B	262970	Link-Throttle (Governor Control Lever to Throttle Shaft)	232A	262959	Spring-Governor Link	789	398661	Harness-Wiring
227	692143	Lever-Governor Control (Short Lever) (Governor Idle Eyelet) (Used After Code Date 97042700). ----- <b>Note</b> ----- <b>496254</b> Lever-Governor Control (Short Lever) (Used Before Code Date 97042800).	428	90576	Nut (OIL GARD®Kit)	898	691077	Washer (OIL GARD®Kit)
			453	691131	Screw (Electro Magnet Bracket)	978	★273326	Gasket-Oil Gard®
			489	231520	Screw (Linkage Lever)	980	398182	Kit-Oil Gard®
			505	691251	Nut (Governor Control Lever)	982A	690350	Screw (OIL GARD®Kit)
			562	691119	Bolt (Governor Control Lever)	983	398660	Light-Indicator
						984	692340	Bracket-Oil Gard®Light
						1042	691229	Bracket-Electromagnetic

★ Included in Engine Gasket Set-Ref. No. 358.

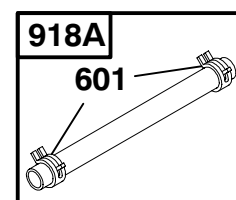
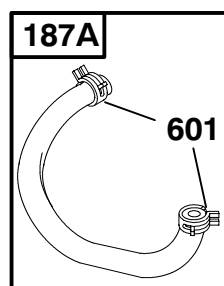
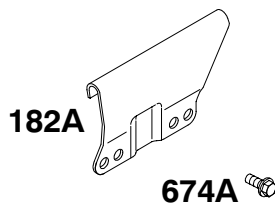
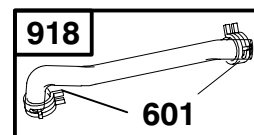
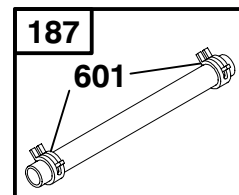
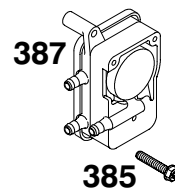
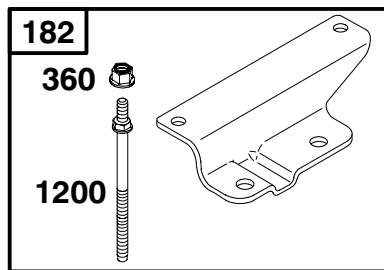
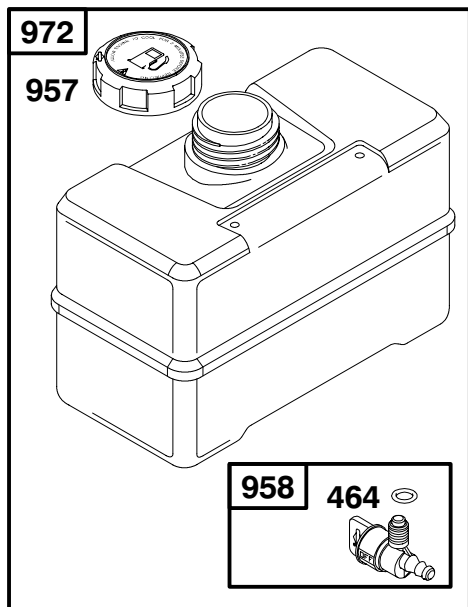
● Included in Carburetor Overhaul Kit-See Ref. No. 121.

◆ Included in Valve Gasket Set-Ref. No. 1095.

◆ Included in Carburetor Gasket Set-Ref. No. 977.

# 19E400 to 19E499

674 

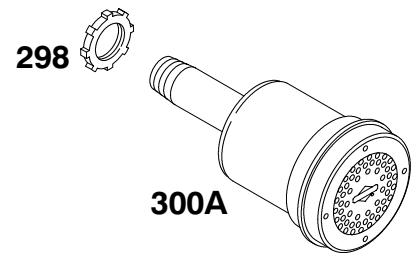
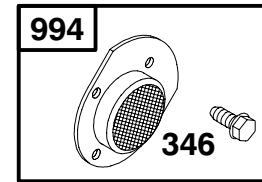
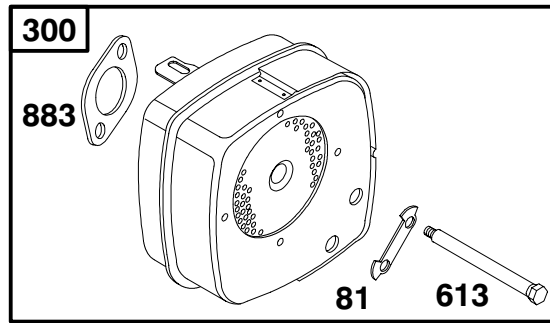
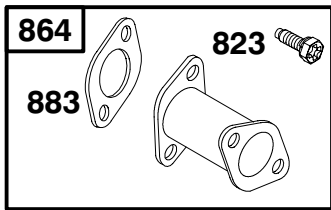
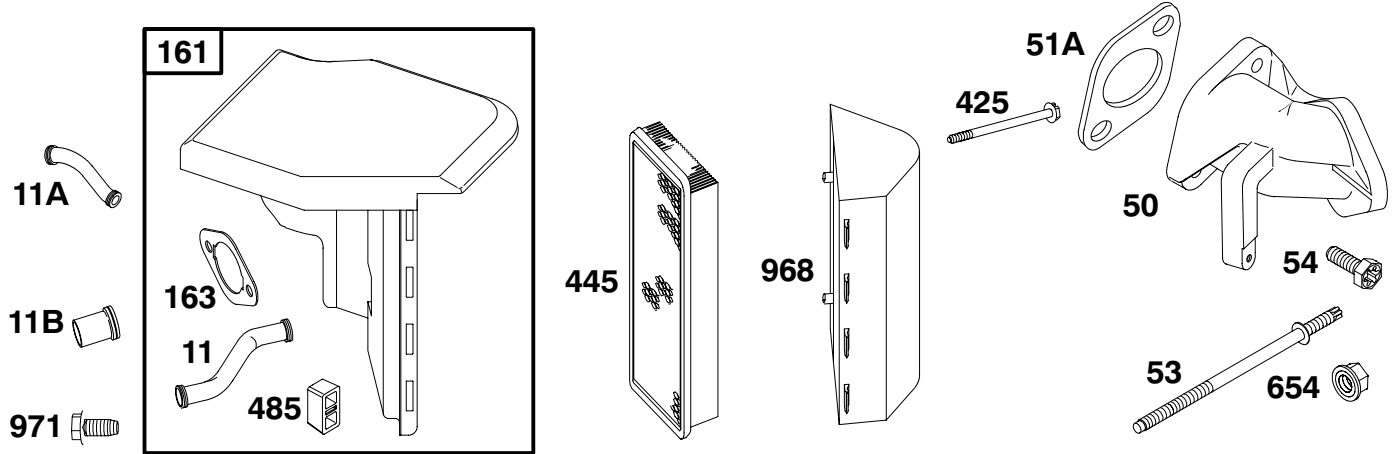


REF. NO.	PART NO.	DESCRIPTION	REF. NO.	PART NO.	DESCRIPTION	REF. NO.	PART NO.	DESCRIPTION
182	495664	Bracket-Fuel Tank (Top)	385	94789	Screw (Fuel Pump)	918	497457	Hose-Vacuum
182A	492990	Bracket-Fuel Tank (Bottom)	387	496257	Pump-Fuel	918A	393815	Hose-Vacuum (Cut to Required Length)
187	296004	Line-Fuel (Cut to Required Length)	464	280203	O-Ring Seal (Fuel Shut Off Valve)	957	493988	Cap-Fuel Tank (Plastic)
187A	497029	Line-Fuel (Molded)	601	95162	Clamp-Hose	958	399517	Valve-Fuel Shut Off
240	394358	Filter-Fuel	674	690708	Screw (Fuel Tank Bracket)	972	493337	Tank-Fuel
360	90576	Nut (Fuel Tank Bracket)	674A	94627	Screw (Fuel Tank Bracket) (Bottom)	1200	94926	Stud (Fuel Tank Bracket)

★ Included in Engine Gasket Set-Ref. No. 358.  
 ● Included in Carburetor Overhaul Kit-See Ref. No. 121.

◆ Included in Valve Gasket Set-Ref. No. 1095.  
 ♦ Included in Carburetor Gasket Set-Ref. No. 977.





REF. NO.	PART NO.	DESCRIPTION	REF. NO.	PART NO.	DESCRIPTION	REF. NO.	PART NO.	DESCRIPTION
11	280819	Tube-Breather (Used After Code Date 95040200).	161	497669	Base-Air Cleaner (Used After Code Date 95010100).	425	94777	Screw (Air Cleaner Cover)
11A	280225	Tube-Breather (Used After Code Date 95010100 and Before Code Date 95040300).			----- Note -----	445	496077	Filter-Air Cleaner Cartridge
11B	281426	Tube-Breather (Used Before Code Date 95010200).			498544 Base-Air Cleaner (Used Before Code Date 95010200).	485	280715	Knob-Control (Carburetor)
50	691157	Manifold-Intake	163	★273101	Gasket-Air Cleaner	613	94042	Screw (Muffler)
51A	★272707	Gasket-Intake	298	261409	Locknut-Muffler Elbow	654	94010	Nut (Carburetor)
53	94778	Stud (Carburetor)	300	391370	Muffler (Lo Tone)	823	94706	Screw (Muffler Adapter)
54	93208	Screw (Intake Manifold)	300A	496127	Muffler (Round Lo Tone)	864	497140	Adapter-Muffler
81	222263	Lock-Muffler Screw	346	94896	Screw (Spark Arrestor)	883	★272309	Gasket-Exhaust
						968	281357	Cover-Air Cleaner
						971	94930	Screw (Air Cleaner Base)
						994	399541	Arrestor-Spark

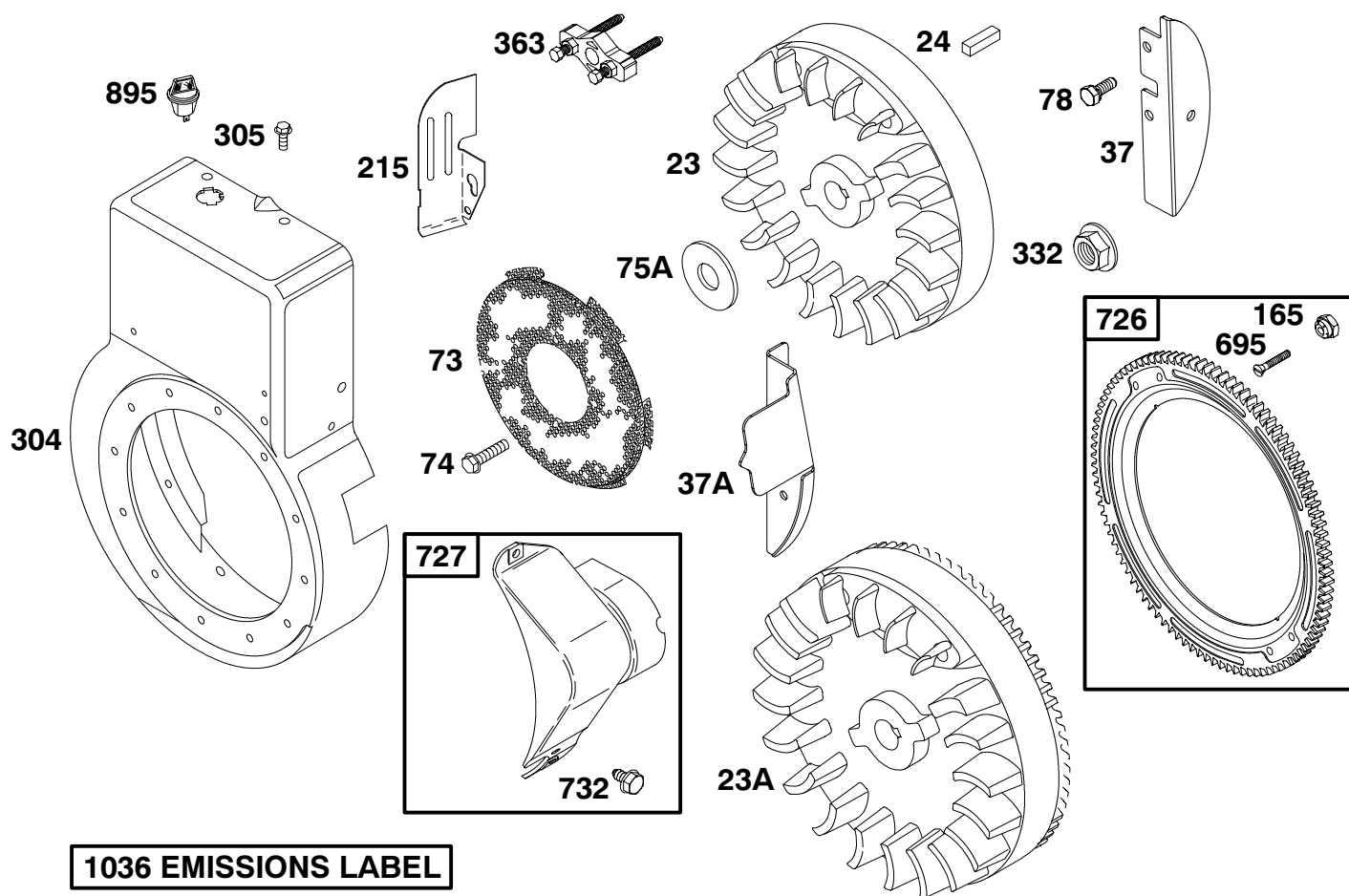
★ Included in Engine Gasket Set-Ref. No. 358.

● Included in Carburetor Overhaul Kit-See Ref. No. 121.

◆ Included in Valve Gasket Set-Ref. No. 1095.

◆ Included in Carburetor Gasket Set-Ref. No. 977.

# 19E400 to 19E499

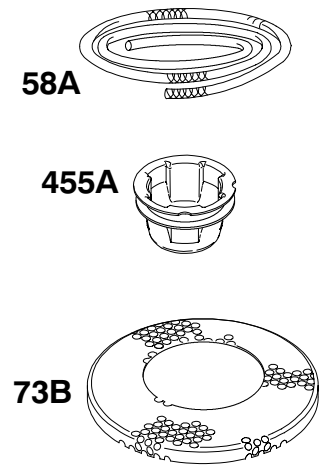
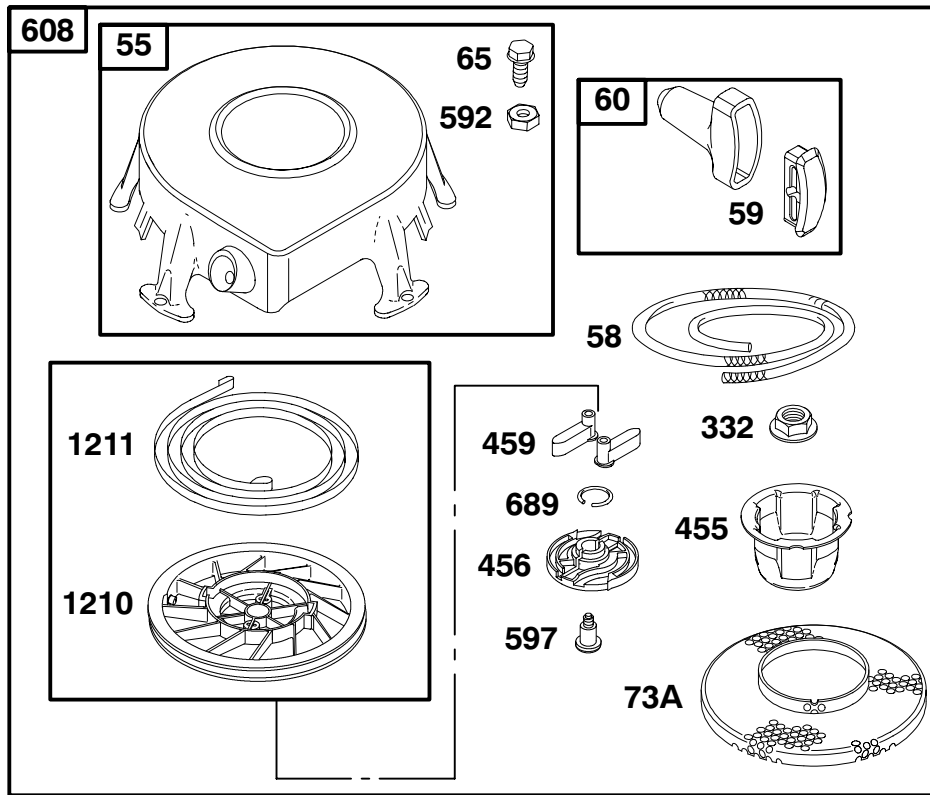


**1036 EMISSIONS LABEL**

REF. NO.	PART NO.	DESCRIPTION	REF. NO.	PART NO.	DESCRIPTION	REF. NO.	PART NO.	DESCRIPTION
23	690615	Flywheel (Rewind Starter)	304	491596	Housing-Blower ----- <b>Note</b> ----- 491592 Housing-Blower Used on Type No(s). 0074, 0108, 0120, 0135, 1075, 1120, 1135, 1164.	895	396691	Switch-Rotary
23A	691354	Flywheel (Electric Starter)	305	94786	Screw (Blower Housing)	1036	695696	Label-Emission (Used After Code Date 00063000). ----- <b>Note</b> ----- 694988 Label-Emission (Used After Code Date 99093000 and Before Code Date 00070100). 694313 Label-Emission (Used Before Code Date 99100100 and After Code Date 98123100). 499354 Label-Emission (Used Before Code Date 99010100).
24	222698	Key-Flywheel	332	693899	Nut (Flywheel) (Used After Code Date 99022800).			
37	690411	Guard-Flywheel	363	19203	Flywheel Puller			
37A	690490	Guard-Flywheel ----- <b>Note</b> ----- 690488 Guard-Flywheel Used on Type No(s). 0108.	695	693109	Screw (Ring Gear)			
73	224874	Screen-Rotating	726	399676	Gear-Ring			
74	93758	Screw (Rotating Screen)	727	395405	Cover-Starter Drive			
75	225136	Washer (Flywheel)	732	691097	Screw (Starter Drive Cover)			
78	690364	Screw (Flywheel Guard)						
165	693148	Nut (Ring Gear)						
215	691170	Guide-Air						

★ Included in Engine Gasket Set-Ref. No. 358.  
● Included in Carburetor Overhaul Kit-See Ref. No. 121.

◆ Included in Valve Gasket Set-Ref. No. 1095.  
◆ Included in Carburetor Gasket Set-Ref. No. 977.



REF. NO.	PART NO.	DESCRIPTION	REF. NO.	PART NO.	DESCRIPTION	REF. NO.	PART NO.	DESCRIPTION
55	693904	Housing-Rewind Starter (Used After Code Date 99022800).	332	693899	Nut (Flywheel) (Used After Code Date 99022800).	608	693900	Starter-Rewind (63" Length Rope) (Used After Code Date 99022800).
58	66884	Rope-Starter (63" Length)	455	693902	Cup-Flywheel (Used After Code Date 99022800).	689	263073	Spring-Friction (Used After Code Date 99022800).
58A	66894	Rope-Starter (99" Length)	455A	694017	Cup-Flywheel (Used with 99" Rope) (Used After Code Date 99022800).	1210	498144	Pulley/Spring Assembly (Pulley) (Used After Code Date 99022800).
59	490653	Insert-Grip	456	281503	Plate-Pawl Friction (Used After Code Date 99022800).	1211	498144	Pulley/Spring Assembly (Spring) (Used After Code Date 99022800).
60	490652	Grip-Starter Rope	459	281505	Pawl-Ratchet (Used After Code Date 99022800).			
65	94686	Screw (Rewind Starter) (Used After Code Date 99022800).	592	94908	Nut (Rewind Starter)			
73A	693905	Screen-Rotating (Used After Code Date 99022800).	597	94943	Screw (Pawl Friction Plate) (Used After Code Date 99022800).			
73B	694020	Screen-Rotating (Used with 99" Rope) (Used After Code Date 99022800).						

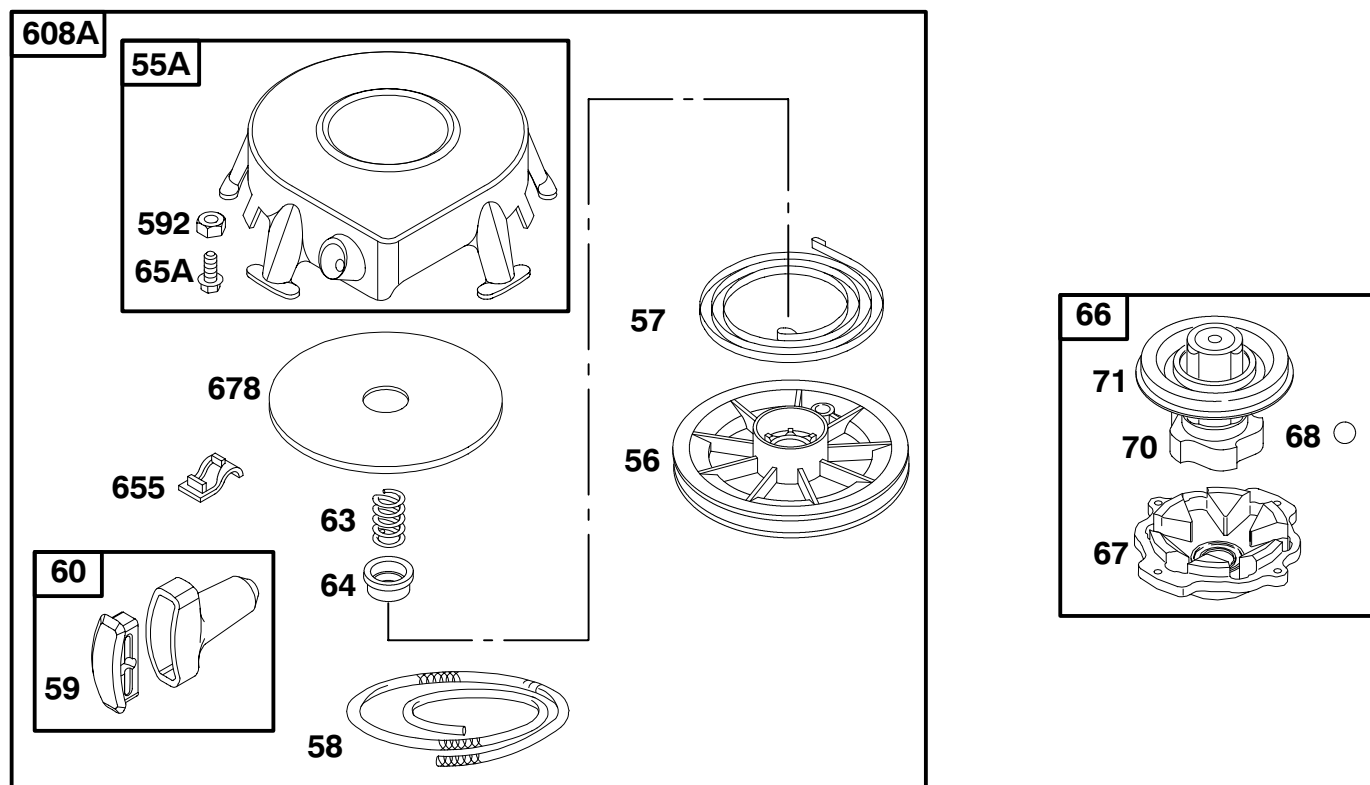
★ Included in Engine Gasket Set-Ref. No. 358.

● Included in Carburetor Overhaul Kit-See Ref. No. 121.

◆ Included in Valve Gasket Set-Ref. No. 1095.

◆ Included in Carburetor Gasket Set-Ref. No. 977.

# 19E400 to 19E499



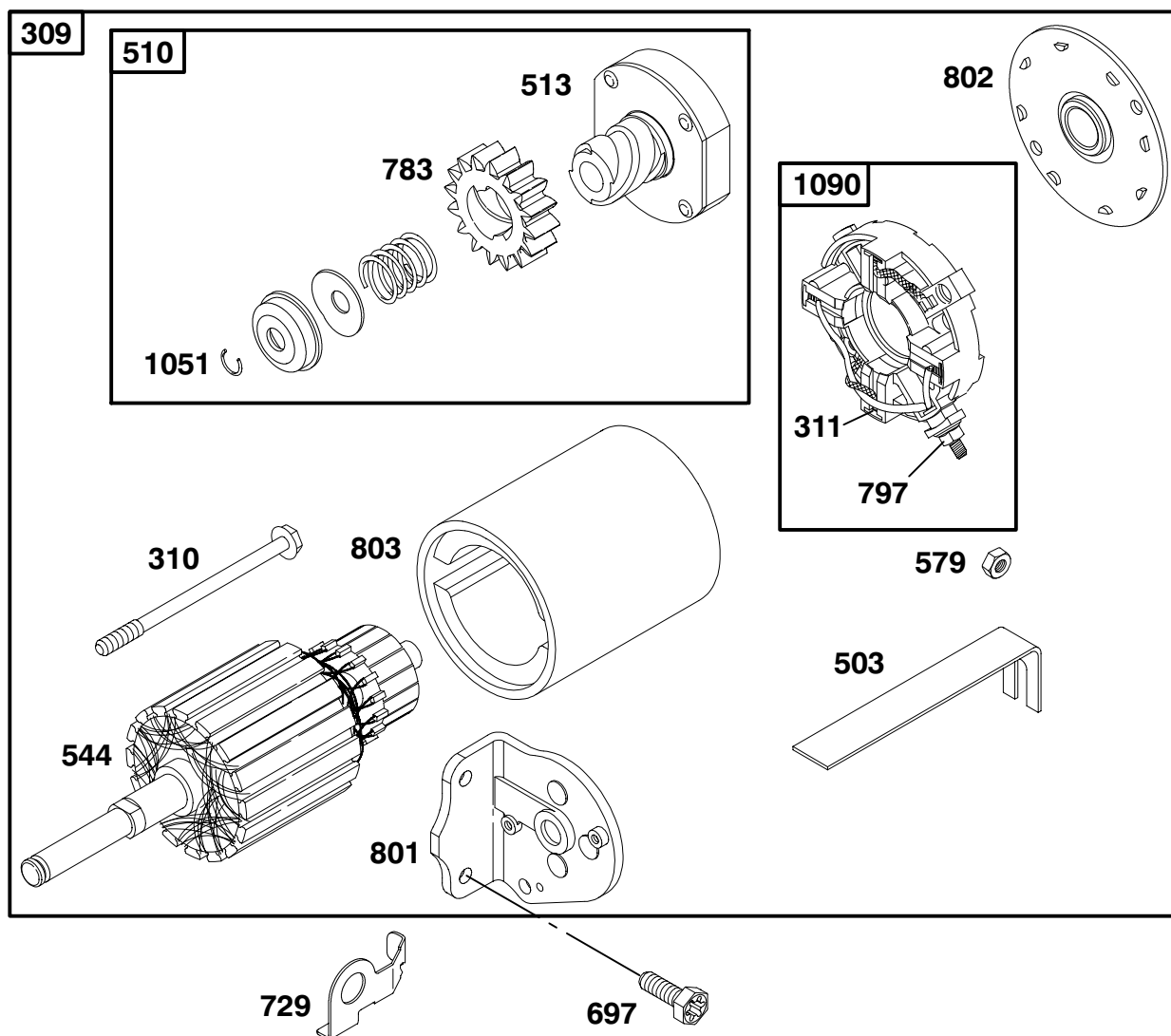
REF. NO.	PART NO.	DESCRIPTION	REF. NO.	PART NO.	DESCRIPTION	REF. NO.	PART NO.	DESCRIPTION
55A	393576	Housing-Rewind Starter (Used Before Code Date 99030100).	63	260414	Spring-Ratchet (Used Before Code Date 99030100).	68	63770	Ball-Clutch (Used Before Code Date 99030100).
56	295871	Pulley-Starter (Used Before Code Date 99030100).	64	281204	Adapter-Ratchet Spring (Used Before Code Date 99030100).	70	298799	Ratchet-Clutch (Used Before Code Date 99030100).
57	490179	Spring-Rewind Starter (Used Before Code Date 99030100).	65A	94904	Screw (Rewind Starter) (Used Before Code Date 99030100).	71	691359	Cover-Ratchet (Used Before Code Date 99030100).
58	66884	Rope-Starter (63" Length) (Cut to Required Length)	66	399671	Clutch-Starter (Used Before Code Date 99030100).	592	94908	Nut (Rewind Starter)
59	490653	Insert-Grip	67	394897	Housing-Clutch (Used Before Code Date 99030100).	608A	390391	Starter-Rewind (Used Before Code Date 99030100).
60	490652	Grip-Starter Rope				655	222598	Anchor-Rewind Spring (Used Before Code Date 99030100).
						678	490817	Spacer-Rewind (Used Before Code Date 99030100).

★ Included in Engine Gasket Set-Ref. No. 358.

● Included in Carburetor Overhaul Kit-See Ref. No. 121.

◆ Included in Valve Gasket Set-Ref. No. 1095.

◆ Included in Carburetor Gasket Set-Ref. No. 977.



REF. NO.	PART NO.	DESCRIPTION	REF. NO.	PART NO.	DESCRIPTION	REF. NO.	PART NO.	DESCRIPTION
309	693054	Motor-Starter	544	497603	Armature-Starter	797	693167	Nut (Brush Retainer)
310	690323	Bolt (Starter Motor)	579	92278	Nut (Starter Cable)	801	394856	Cap-Drive
311	497608	Brush Set	697	690372	Screw (Drive Cap)	802	497607	Cap-End
503	691532	Strap-Starter	729	691224	Clip-Wire	803	693757	Housing-Starter
510	497606	Drive-Starters	783	693059	Gear-Pinion	1051	263080	Ring-Retaining
513	398003	Clutch-Drive				1090	497605	Retainer-Brush

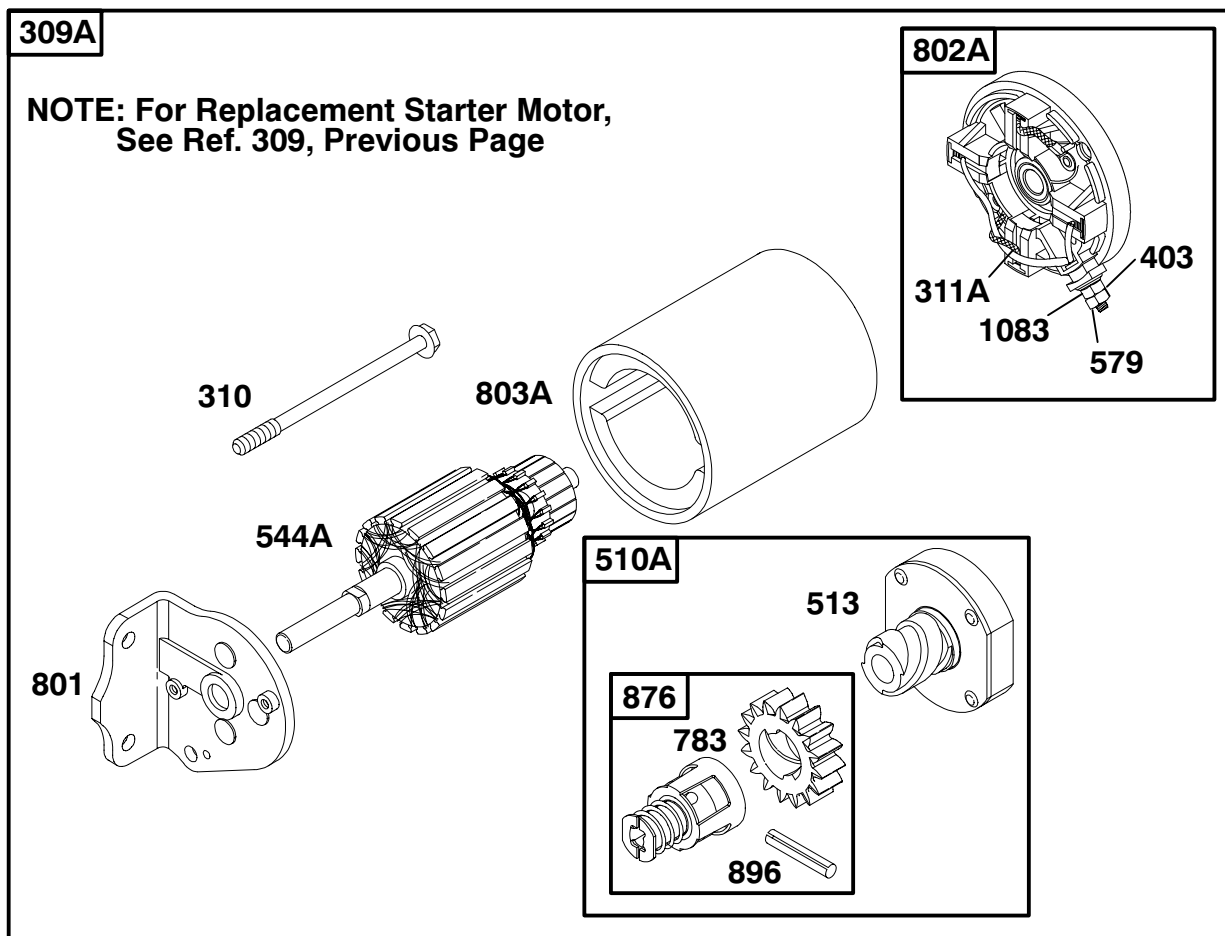
★ Included in Engine Gasket Set-Ref. No. 358.

● Included in Carburetor Overhaul Kit-See Ref. No. 121.

◆ Included in Valve Gasket Set-Ref. No. 1095.

◆ Included in Carburetor Gasket Set-Ref. No. 977.

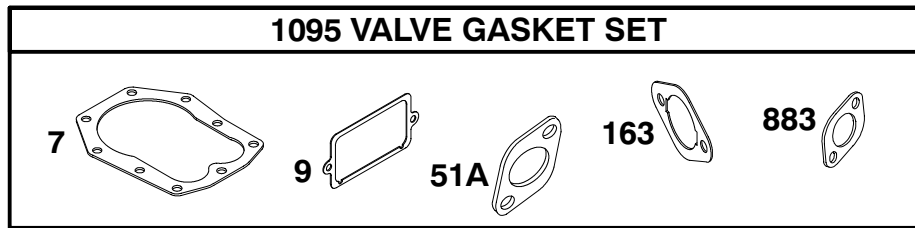
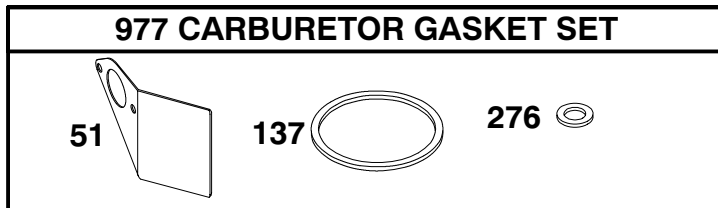
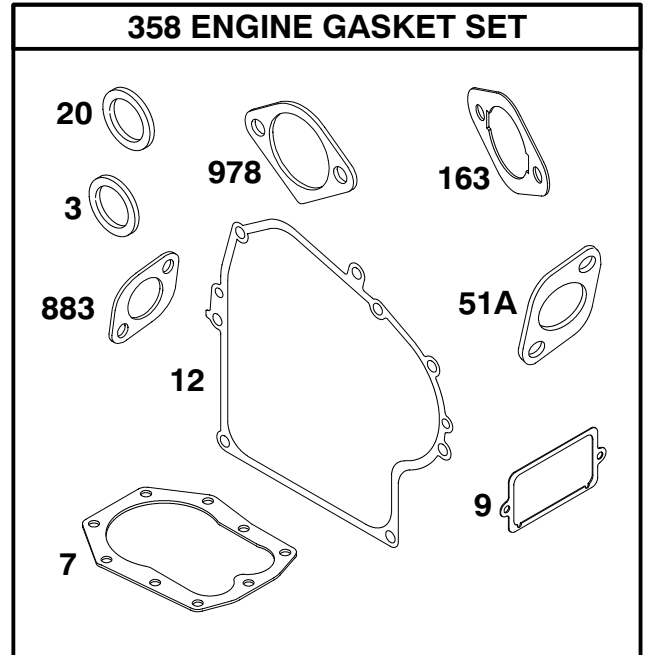
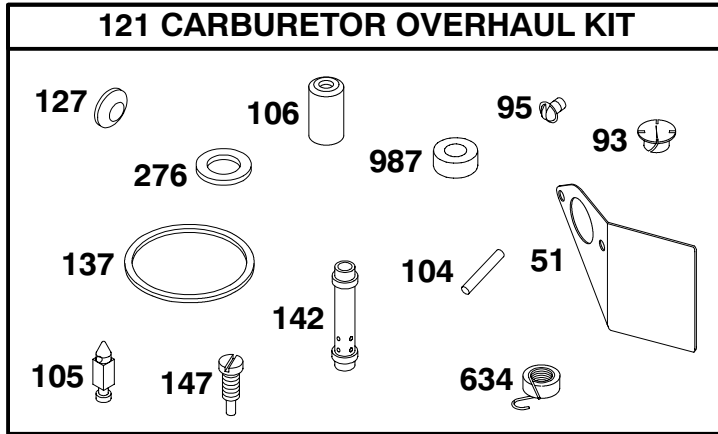
# 19E400 to 19E499



REF. NO.	PART NO.	DESCRIPTION	REF. NO.	PART NO.	DESCRIPTION	REF. NO.	PART NO.	DESCRIPTION
<b>309A</b>		Motor-Starter (For Replacement Starter Motor, See Ref. 309.)	<b>403</b>	<b>690288</b>	Washer (End Cap)	<b>783</b>	<b>693059</b>	Gear-Pinion
<b>310</b>	<b>690323</b>	Bolt (Starter Motor) For Housing. Length 3 5/8)	<b>510A</b>	<b>495878</b>	Drive-Starter	<b>801</b>	<b>691429</b>	Cap-Drive
<b>311A</b>	<b>395538</b>	Brush Set (For 3 5/8 Housing Lengths)	<b>513</b>	<b>398003</b>	Clutch-Drive	<b>802A</b>	<b>395537</b>	Cap-End (For 3 5/8 Housing Length)
			<b>544A</b>	<b>390837</b>	Armature-Starter (For 3 5/8 Housing Length)	<b>803A</b>	<b>398159</b>	Housing-Starter (For 3 5/8 Housing Length)
			<b>579</b>	<b>93715</b>	Nut (Starter Cable)	<b>876</b>	<b>495877</b>	Kit-Pinion Spring
			<b>697A</b>	<b>94627</b>	Screw (Drive Cap)	<b>896</b>	<b>94288</b>	Pin-Drive Retainer
			<b>729A</b>	<b>224723</b>	Clip-Wire	<b>1083</b>	<b>94010</b>	Nut (End Cap)

★ Included in Engine Gasket Set-Ref. No. 358.  
● Included in Carburetor Overhaul Kit-See Ref. No. 121.

◆ Included in Valve Gasket Set-Ref. No. 1095.  
◆ Included in Carburetor Gasket Set-Ref. No. 977.



REF. NO.	PART NO.	DESCRIPTION	REF. NO.	PART NO.	DESCRIPTION	REF. NO.	PART NO.	DESCRIPTION
3	★391086	Seal-Oil (Magneto Side)	106	●231856	Seat-Inlet	147	●497472	Jet-Pilot (LMT 102, 113, 114, 116)
7	★272163	Gasket-Cylinder Head	121	497849	Kit-Carburetor Overhaul (Used After Code Date 94062300).	163	★273101	Gasket-Air Cleaner
9	★27803	Gasket-Breather			----- Note -----	276	●281164	Washer-Sealing
12	★271701	Gasket-Crankcase (.015", Standard)			497166 Kit-Carburetor Overhaul (Used Before Code Date 94062400).	358	497070	Gasket Set-Engine
		----- Note -----				634	●690802	Spring/Seal Assembly
		★27876 Gasket-Crankcase (.005")	127	●694524	Plug-Welch	883	★272309	Gasket-Exhaust
		★27877 Gasket-Crankcase (.009")	137	●281165	Gasket-Float Bowl	977	497069	Gasket Set-Carburetor
20	★391086	Seal-Oil (PTO Side)	142	●690128	Nozzle-Carburetor (Standard, LMT 186)	978	★273326	Gasket-Oil Gard
51	●272708	Gasket-Intake			----- Note -----	987	●691326	Seal-Throttle Shaft
51A	★272707	Gasket-Intake			●497197 Nozzle-Carburetor (Standard) (LMT 102)	1095	498534	Gasket Set-Valve
93	●690602	Bushing-Throttle Shaft			●497564 Nozzle-Carburetor (Standard, LMT 113, 114, 116)			
95	●94098	Screw (Throttle Valve)						
104	●690525	Pin-Float Hinge						
105	●231935	Valve-Float Needle						

★ Included in Engine Gasket Set-Ref. No. 358.  
 ● Included in Carburetor Overhaul Kit-See Ref. No. 121.

◆ Included in Valve Gasket Set-Ref. No. 1095.  
 ♦ Included in Carburetor Gasket Set-Ref. No. 977.