

**197400 to 197499**

# Illustrated Parts List

## Model Series

### 197400 to 197499

**TYPE NUMBERS**

0010, 0073, 0100,  
0116, 0120, 0121,  
0124,  
0139 through 0144,  
0146 through 0150,  
0152, 0642, 0647,  
0649, 0650, 1010,  
1073, 1100, 1124,  
1140 through 1144,  
1149, 1150, 1152,  
1153.

**TO FIND****THE CORRECT NUMBER OF THE PART YOU NEED:  
FOLLOW THE INSTRUCTIONS BELOW**

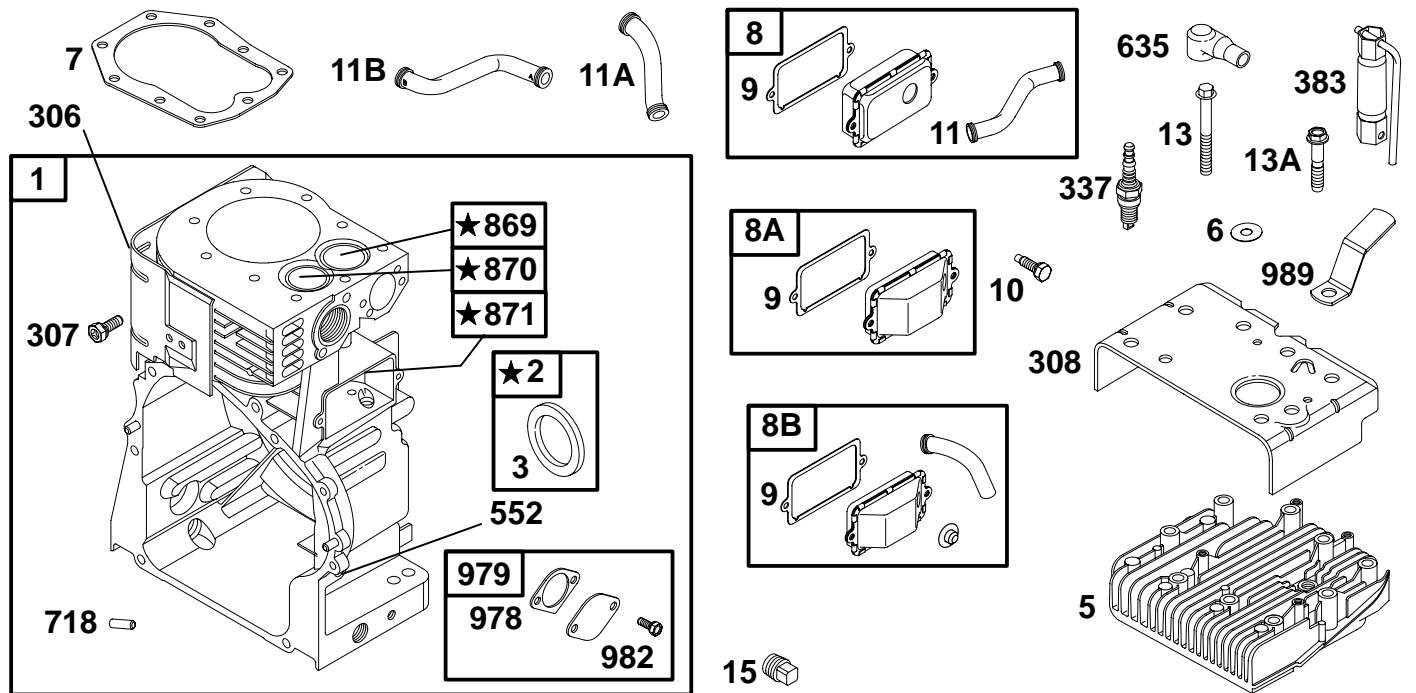
- A. Refer to Engine Model, Type and Code Number that is stamped on the blower housing of engine. Engine type numbers such as 0123 01 are listed only as 0123 in most instances. The two digits (01 or 02, etc.) to the right of the space may be required for more accurate parts identification in some instances. Select the Illustrated Parts List covering the correct Model Series and Type Number.
- B. Refer to the Illustrations and compare the original part with Illustration. The number next to the illustration is the Reference Number. Assemblies include all parts shown in frames. All parts shown in assembly frames having individual reference numbers can be purchased separately.
- C. After the Reference Number has been identified, refer to the Numerical text, where Reference and Primary Part Number are listed. **THE PRIMARY PART IS USED ON ALL TYPE NUMBERS EXCEPT THOSE TYPE NUMBERS UNDER "NOTE."**
- D. If a "Note" appears below the Primary Part Number, it means that this part differs from the Primary Part for certain types. If your Type number is listed under "Note," order the part referred to at the "Note."
- E. If your Engine Type Number does not appear after any part number listed under "Note," use the Primary Part Number.
- F. For Engine Type Numbers not covered by this book, check other Parts Lists having the same engine model or contact your source of supply.

PRINTED IN U.S.A.



COPYRIGHT by BRIGGS & STRATTON CORPORATION  
All rights reserved. No part of this material may be reproduced or transmitted, in any form or by any means, electronic or mechanical, including photocopying, recording or by any information storage and retrieval system, without permission in writing from Briggs & Stratton Corporation.

# 197400 to 197499



**1058 OWNER'S MANUAL**

**1019 LABEL KIT**

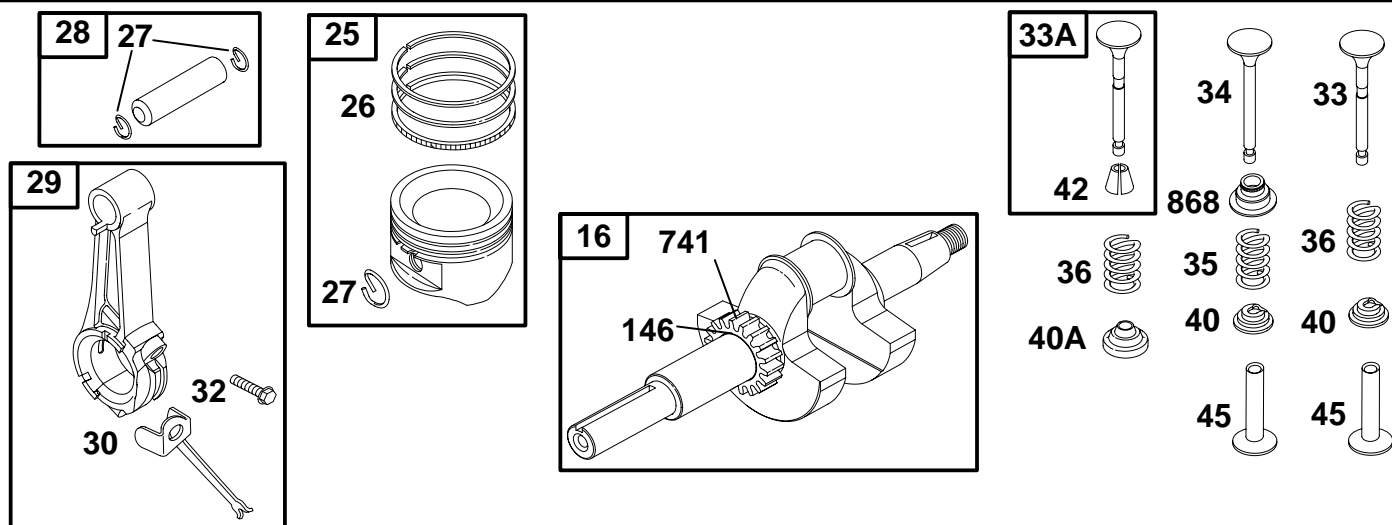
**★ REQUIRES SPECIAL TOOLS TO INSTALL. SEE REPAIR INSTRUCTION MANUAL.**

REF. NO.	PART NO.	DESCRIPTION	REF. NO.	PART NO.	DESCRIPTION	REF. NO.	PART NO.	DESCRIPTION
1	495656	Cylinder Assembly	11B	281426	Tube-Breather (Used Before Code Date 95010200).	869	211661	Seat-Valve (Intake)
2	495657	Kit-Bushing/Seal (Magneto Side)	13	94565	Screw (Cylinder Head) (3 9/16" Long)	870	262924	Seat-Valve (Exhaust)
3	★391086	Seal-Oil (Magneto Side)	13A	94622	Screw (Cylinder Head) (3" Long)	871	261961	Bushing-Valve Guide (Exhaust Valve)
5	214015	Head-Cylinder	15	94239	Plug-Oil Drain	————— <b>Note</b> ————— 231218 Bushing-Valve Guide (Intake Valve)		
6	691261	Washer (Cylinder Head)				978	★273326	Gasket-Oil Gard®
7	∅★272163	Gasket-Cylinder Head	306	496797	Shield-Cylinder	979	691382	Cover-Oil Gard®
8	498038	Breather Assembly (Used After Code Date 95040200).	307	94930	Screw (Cylinder Shield)	982	690351	Screw (OIL GARD® Cover)
8A	495736	Breather Assembly (Used After Code Date 95010100 and Before Code Date 95040300).	308	691201	Cover-Cylinder Head	989	690578	Stopswitch-Sparkplug Used on Type No(s). 0100, 0120, 0121.
8B	497710	Breather Assembly (Used Before Code Date 95010200).	337	802592	Sparkplug (Resistor Type)	1019	497156	Kit-Label
9	∅★27803	Gasket-Breather				1058	274786	Owner's Manual (Emission Engines)
10	691666	Screw (Breather Assembly)				————— <b>Note</b> ————— 272848 Owner's Manual (Non-Emission Engines)		
11	280819	Tube-Breather (Used After Code Date 95040200).	383	89838	Wrench-Sparkplug			
11A	280225	Tube-Breather (Used After Code Date 95010100 and Before Code Date 95040300).	552	491986	Bushing-Governor Crank			
			635	66538	Boot-Sparkplug			
			718	230192	Pin-Locating			

★ Included in Engine Gasket Set-Ref. No. 358  
● Included in Carburetor Overhaul Kit-Ref. No. 121.

∅ Included in Valve Gasket Set-Ref. No. 1095.  
◆ Included in Carburetor Gasket Set-Ref. No. 977.

# 197400 to 197499

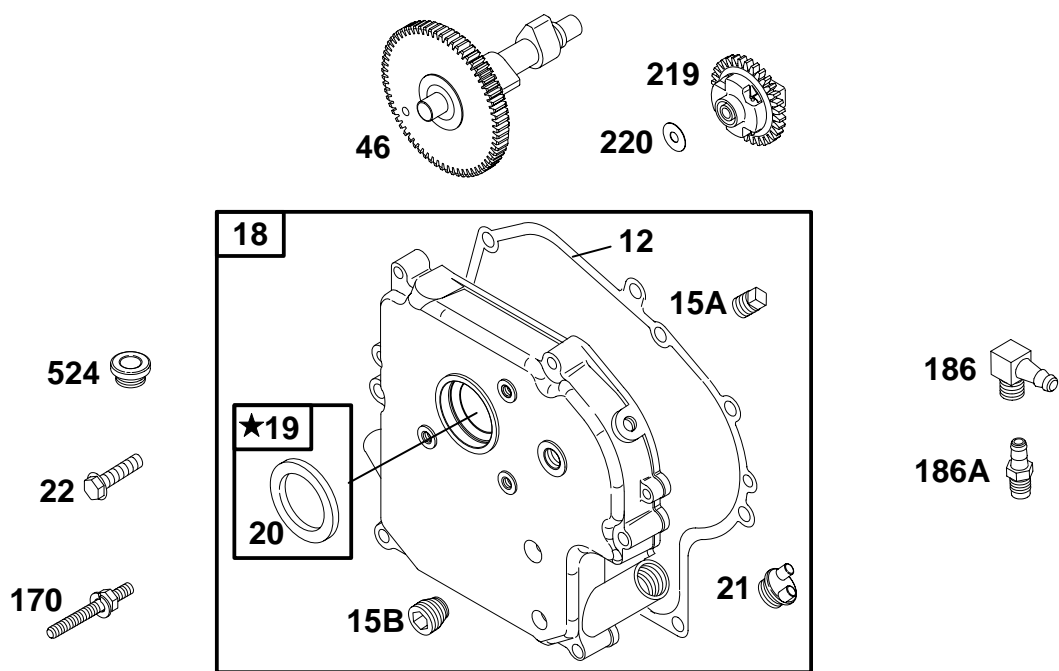


REF. NO.	PART NO.	DESCRIPTION	REF. NO.	PART NO.	DESCRIPTION	REF. NO.	PART NO.	DESCRIPTION
16	495790	Crankshaft _____ <b>Note</b> _____ 495648 Crankshaft Used on Type No(s). 0100.	28	499302	Pin-Piston (Standard) (Used After Code Date 96102700). _____ <b>Note</b> _____ 295840 Pin-Piston (Standard) (Used Before Code Date 96102800).	34	261055	Valve-Intake
25	499900	Piston Assembly (Standard) _____ <b>Note</b> _____ 499961 Piston Assembly (.010" O.S.) 499962 Piston Assembly (.020" O.S.) 499963 Piston Assembly (.030" O.S.)	29	390401	Rod-Connecting (Standard) _____ <b>Note</b> _____ 390773 Rod- Connecting (.020" Undersize)	35	65906	Spring-Valve (Intake)
26	393881	Ring Set (Standard) _____ <b>Note</b> _____ 299743 Ring Set (Standard Chrome) 393882 Ring Set (.010" O.S.) 393883 Ring Set (.020" O.S.) 690017 Ring Set (.030" O.S.)	30	222113	Dipper-Connecting Rod	36	65906	Spring-Valve (Exhaust) (Used After Code Date 95041600.) _____ <b>Note</b> _____ 26828 Spring-Valve (Exhaust) (Used Before Code Date 95041700.)
27	263181	Lock-Piston Pin (Used After Code Date 96102700). _____ <b>Note</b> _____ 691073 Lock-Piston Pin (Used Before Code Date 96102800).	32	690352	Screw (Connecting Rod)	40	221596	Retainer-Valve (Intake) (Used After Code Date 95041600.)
			33	691287	Valve-Exhaust	40A	292260	Retainer-Valve (Exhaust) (Used Before Code Date 95041700.)
			33A	390419	Valve-Exhaust (Used Before Code Date 95041700.)	42	494553	Keeper-Valve (Used Before Code Date 95041700.)
						45	260933	Tappet-Valve
						146	94388	Key-Timing
						741	691288	Gear-Timing
						868	497656	Seal-Valve

★ Included in Engine Gasket Set-Ref. No. 358  
 ● Included in Carburetor Overhaul Kit-Ref. No. 121.

⊙ Included in Valve Gasket Set-Ref. No. 1095.  
 ♦ Included in Carburetor Gasket Set-Ref. No. 977.

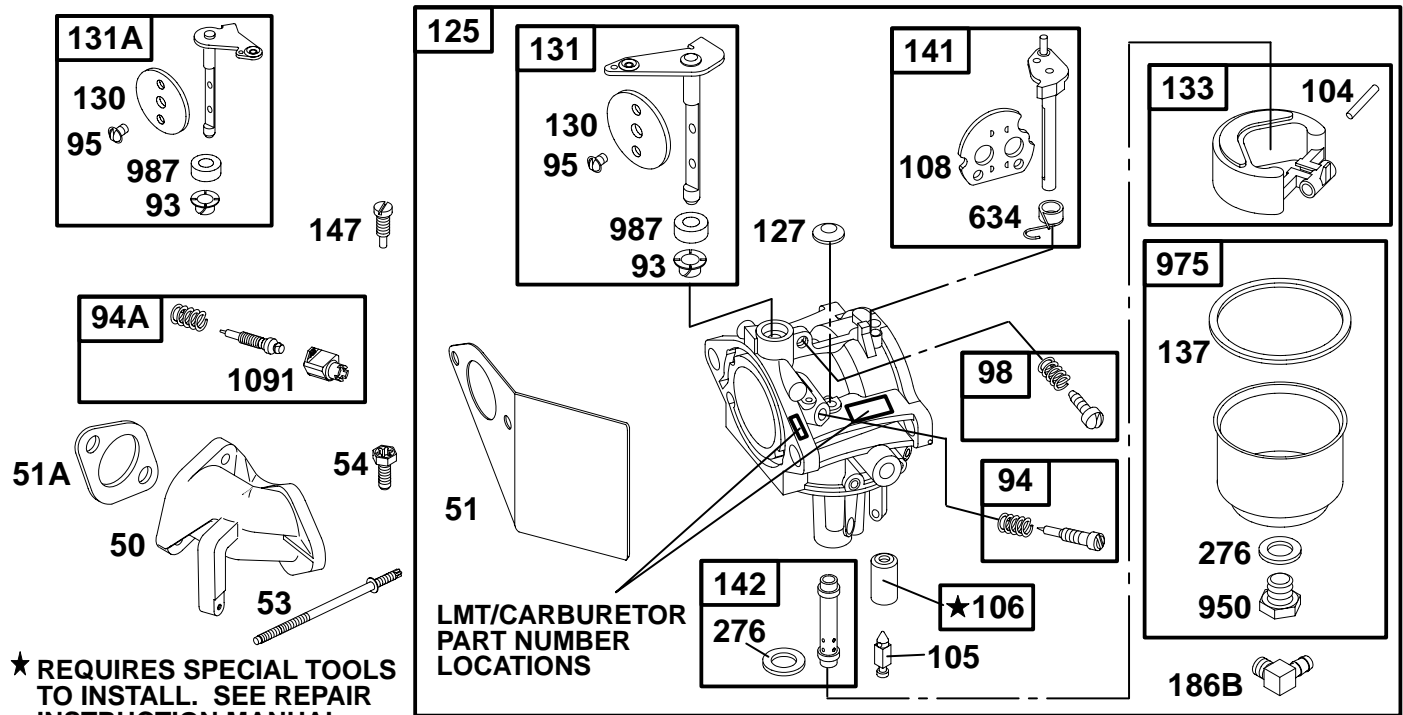
# 197400 to 197499



REF. NO.	PART NO.	DESCRIPTION	REF. NO.	PART NO.	DESCRIPTION	REF. NO.	PART NO.	DESCRIPTION
12	★271701	Gasket-Crankcase (.015 Thick, Standard)	15A	690283	Plug-Oil Drain	22	93585	Screw (Crankcase Cover)
		<b>Note</b>	15B	94880	Plug-Oil Drain			<b>Note</b>
		★27876 Gasket-Crankcase (.005 Thick)	18	496984	Cover-Crankcase			691103 Screw (Crankcase Cover)
		★27877 Gasket-Crankcase (.009 Thick)			<b>Note</b>	46	211689	Camshaft
					496982 Cover-Crankcase Used on Type No(s). 0100.	170	94931	Stud (Crankcase Cover) Used on Type No(s). 0142, 0143.
			19	295964	Kit-Bushing/Seal (PTO Side)			<b>Note</b>
			20	★391086	Seal-Oil (PTO Side)			691109 Stud (Crankcase Cover) Used on Type No(s). 0144, 0152, 1144.
			21	281658	Cap-Oil Fill	186	230318	Connector-Hose
						186A	67218	Connector-Hose
						219	496786	Gear-Governor
						220	221551	Washer (Governor Gear)
						524	★281370	Seal-Dipstick Tube

★ Included in Engine Gasket Set-Ref. No. 358  
● Included in Carburetor Overhaul Kit-Ref. No. 121.

∅ Included in Valve Gasket Set-Ref. No. 1095.  
◆ Included in Carburetor Gasket Set-Ref. No. 977.



REF. NO.	PART NO.	DESCRIPTION	REF. NO.	PART NO.	DESCRIPTION	REF. NO.	PART NO.	DESCRIPTION
50	691157	Manifold-Intake	127	●694524	Plug-Welch			499111 Nozzle-Carburetor (LMT 171)
51	◆272708	Gasket-Intake	130	690468	Valve-Throttle			497660 Nozzle-Carburetor (High Altitude, LMT 119)
51A	∅★272707	Gasket-Intake	131	693602	Kit-Throttle Shaft			497040 Nozzle-Carburetor (High Altitude, LMT 69, 103, 115)
53	94778	Stud (Carburetor)	131A	497042	Kit-Throttle Shaft (Used Before Code Date 94090100).	147	●497472	Jet-Pilot (LMT 69, 103, 115, 119)
54	93208	Screw (Intake Manifold)	133	494381	Float-Carburetor	186B	493496	Connector-Hose
93	●690602	Bushing-Throttle Shaft	137	◆281165	Gasket-Float Bowl	276	◆281164	Washer-Sealing
94	494383	Kit-Idle Mixture	141	497043	Kit-Choke Shaft	634	●690802	Spring/Seal Assembly
94A	498836	Kit-Idle Mixture (LMT 119)	142	●499094	Nozzle-Carburetor (Standard, LMT 171)	950	94642	Screw (Float Bowl)
95	●94098	Screw (Throttle Valve)	<b>Note</b>			975	495933	Bowl-Float
98	495800	Kit-Idle Speed	690121		Nozzle-Carburetor (Standard, LMT 190)	987	●691326	Seal-Throttle Shaft
104	●690525	Pin-Float Hinge	691430		Nozzle-Carburetor (Standard, LMT 119)	1091	691333	Cap-Limiter
105	●231935	Valve-Float Needle	●497196		Nozzle-Carburetor (Standard, LMT 69, 103, 115)			
106	●231856	Seat-Inlet	690122		Nozzle-Carburetor (High Altitude, LMT 190)			
108	692344	Valve-Choke						
125	497581	Carburetor (LMT 115, 171)						
		<b>Note</b>						
		690117 Carburetor (LMT 190 P/N 499455)						
		498838 Carburetor (LMT 119)						
		497038 Carburetor (LMT 69, 103)						

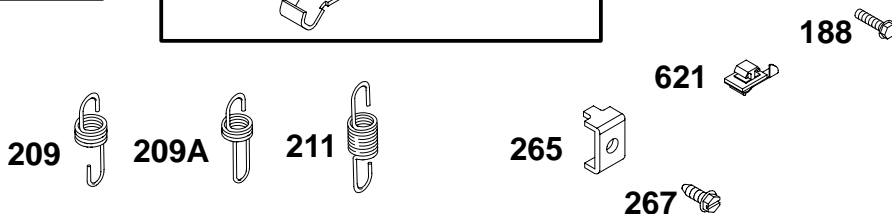
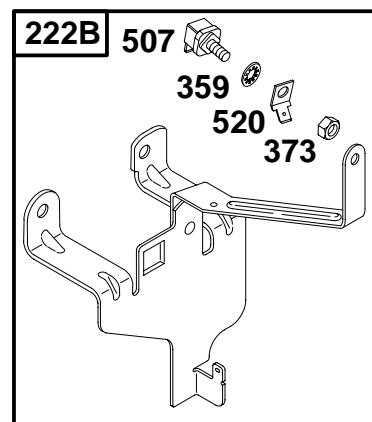
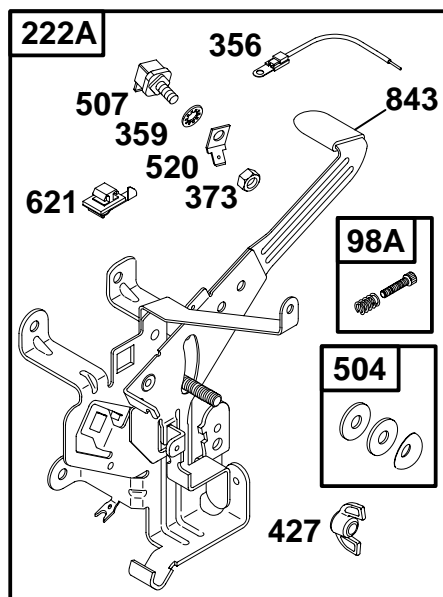
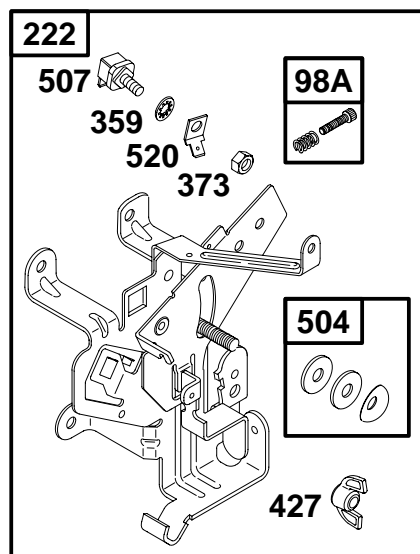
★ Included in Engine Gasket Set-Ref. No. 358

● Included in Carburetor Overhaul Kit-Ref. No. 121.

∅ Included in Valve Gasket Set-Ref. No. 1095.

◆ Included in Carburetor Gasket Set-Ref. No. 977.

# 197400 to 197499



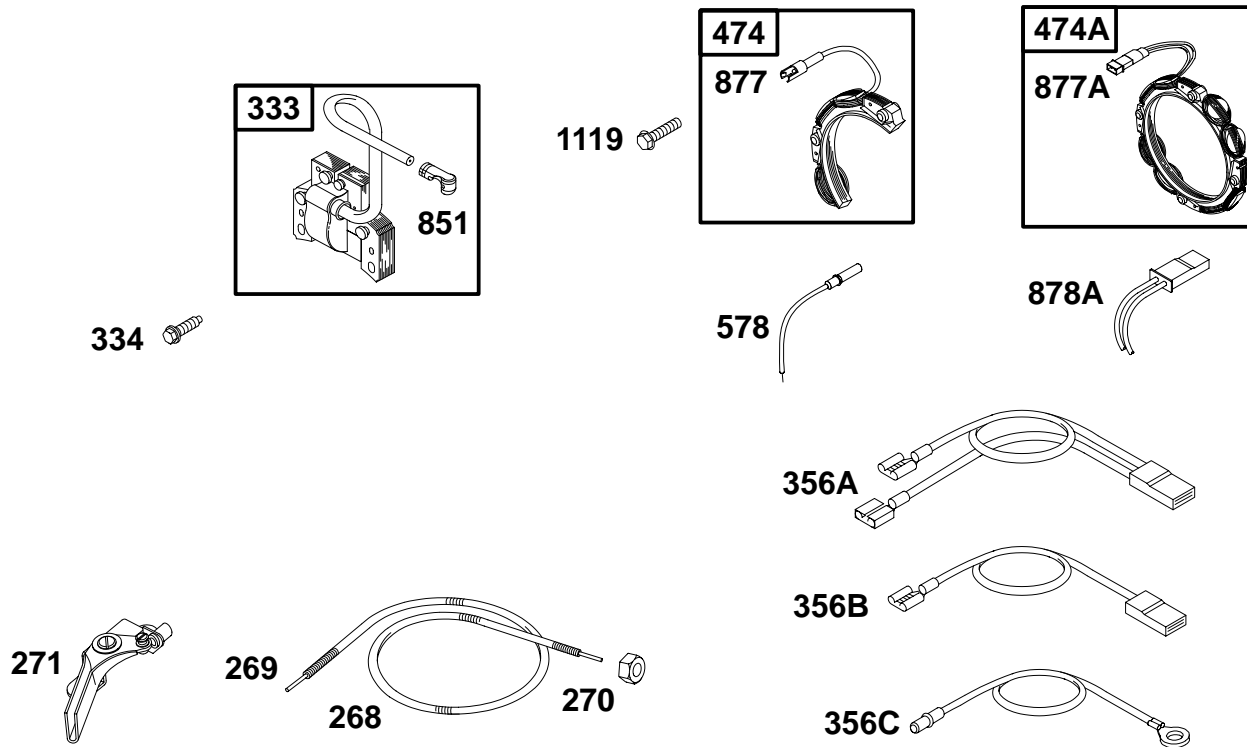
REF. NO.	PART NO.	DESCRIPTION	REF. NO.	PART NO.	DESCRIPTION	REF. NO.	PART NO.	DESCRIPTION
98A	493280	Kit-Idle Speed	211	691307	Spring-Governed Idle (Used After Code Date 97042700).	222B	694182	Bracket-Control
188	94929	Screw (Control Bracket)			Used on Type No(s). 0100, 0146, 1100.	265	221535	Clamp-Casing
209	692136	Spring-Governor (Used After Code Date 97042700).	222	691480	Bracket-Control (Used After Code Date 97042700).	267	690804	Screw (Casing Clamp)
		<b>Note</b>				356	691408	Wire-Stop (Jumper Wire)
		691309 Spring-Governor (Used After Code Date 97042700.)			<b>Note</b>	359	691077	Washer (Ground Terminal)
		Used on Type No(s). 0100, 0146, 1100.	222A	691478	Bracket-Control (Used After Code Date 97042700).	373	90576	Nut (Ground Terminal)
		263054 Spring-Governor (Used Before Code Date 97042800.)			497076 Bracket-Control (Used Before Code Date 97042800).	427	690355	Nut (Control Bracket)
209A	260723	Spring-Governor (Used Before Code Date 94090100.)			499722 Bracket-Control (Used Before Code Date 97042800).	504	495659	Washer Set (Control Bracket)
						507	398525	Insulator
						520	691084	Terminal-Ground
						621	396847	Switch-Stop
						843	691322	Sleeve-Lever

★ Included in Engine Gasket Set-Ref. No. 358

● Included in Carburetor Overhaul Kit-Ref. No. 121.

⊙ Included in Valve Gasket Set-Ref. No. 1095.

◆ Included in Carburetor Gasket Set-Ref. No. 977.

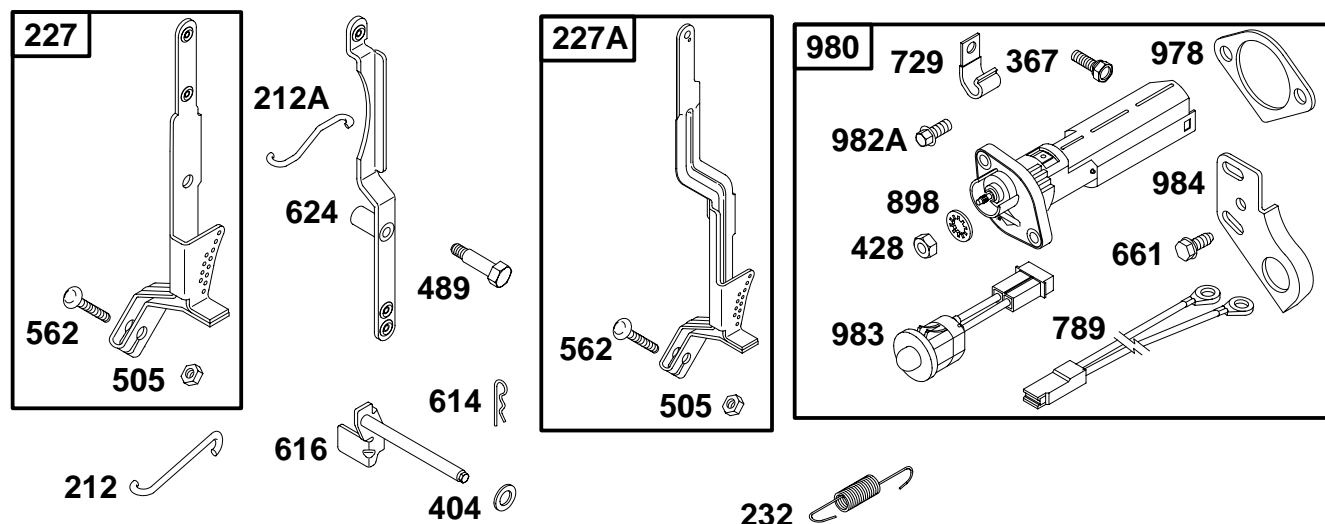


REF. NO.	PART NO.	DESCRIPTION	REF. NO.	PART NO.	DESCRIPTION	REF. NO.	PART NO.	DESCRIPTION
268	65616	Casing-Control Wire (Cut to Required Length)	334	94731	Screw (Magneto Armature)	578	393422	Wire Assembly
269	26633	Wire-Control (Cut to Required Length)	356A	491391	Wire-Stop (Dual Stop Wire)	851	493880	Terminal-Sparkplug
270	63426	Nut (Control Wire Casing)	356B	491927	Wire-Stop (Terminal Wire)	877	393814	Wire/Connector-Alternator (Single Lead)
271	290568	Lever-Control	356C	692149	Wire-Stop (Socket/Wire)	877A	393456	Wire/Connector-Alternator (Dual Lead)
333	398811	Armature-Magneto	474	391529	Alternator (DC Only)	878A	393362	Harness-Alternator
			474A	393474	Alternator (Dual Circuit)	1119	93621	Screw (Alternator)

★ Included in Engine Gasket Set-Ref. No. 358  
 ● Included in Carburetor Overhaul Kit-Ref. No. 121.

⊘ Included in Valve Gasket Set-Ref. No. 1095.  
 ◆ Included in Carburetor Gasket Set-Ref. No. 977.

# 197400 to 197499

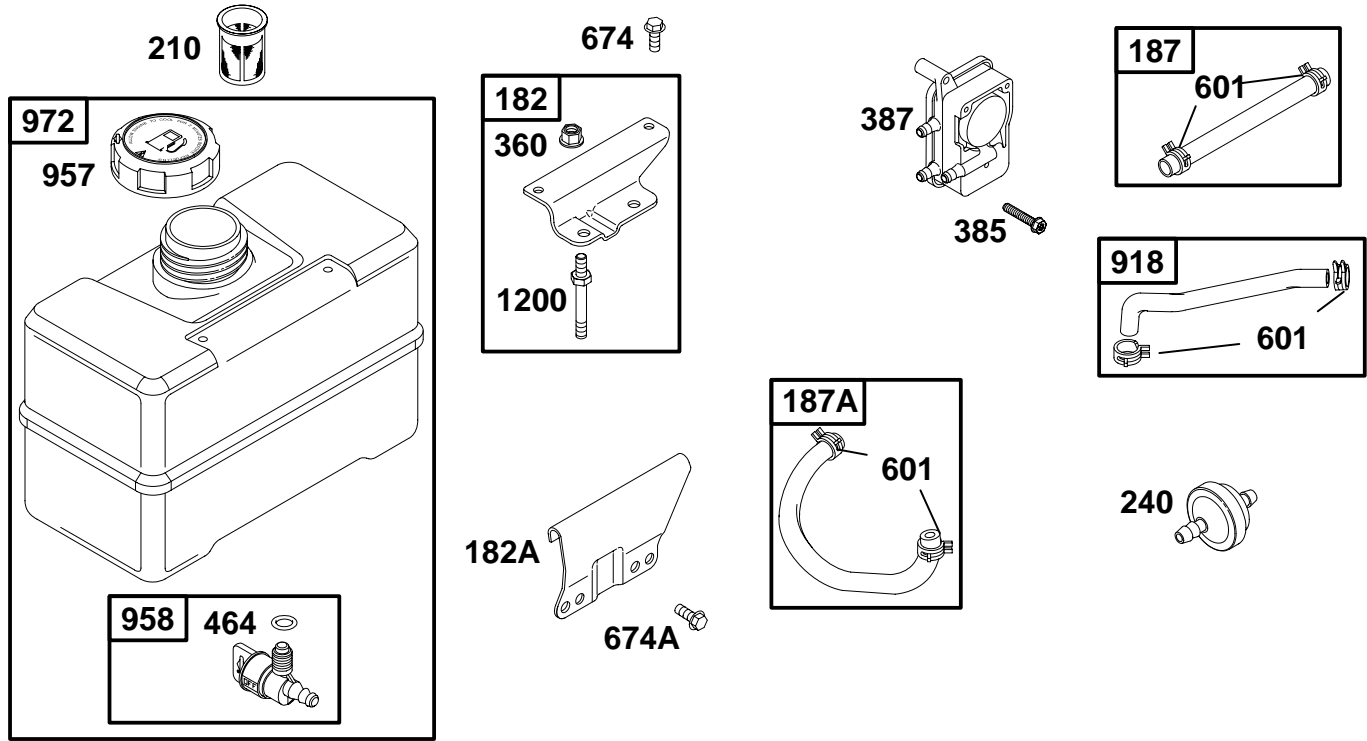


REF. NO.	PART NO.	DESCRIPTION	REF. NO.	PART NO.	DESCRIPTION	REF. NO.	PART NO.	DESCRIPTION
212	263049	Link-Throttle (Linkage Lever to Throttle Shaft) (Used After Code Date 94083100). <b>Note</b> ——— 262970 Link-Throttle (Governor Control Lever to Throttle Shaft) (Used Before Code Date 94090100).	227A	496253	Lever-Governor Control (Long Lever) (Used Before Code Date 94090100).	562	92613	Bolt (Governor Control Lever)
212A	263051	Link-Throttle (Governor Control Lever to Linkage Lever)	232	263020	Spring-Governor Link (Used After Code Date 94083100). <b>Note</b> ——— 262959 Spring-Governor Link (Used Before Code Date 94090100).	614	93306	Pin-Cotter
227	692143	Lever-Governor Control (Short Lever With Governor Idle Eyelet) (Used After Code Date 97042700). <b>Note</b> ——— 496254 Lever-Governor Control (Short Lever) (Used Before Code Date 97042800).	367	94627	Screw (Wire Clip)	616	691405	Crank-Governor
			404	94927	Washer (Governor Crank)	624	691415	Lever-Linkage
			428	90576	Nut (OIL GARD® Kit)	661	94896	Screw (OIL GARD® Light Bracket)
			489	231520	Screw (Linkage Lever)	729	690430	Clip-Wire
			505	691251	Nut (Governor Control Lever)	789	398661	Harness-Wiring
						898	691077	Washer (OIL GARD® Kit)
						978	★273326	Gasket-Oil Gard®
						980	398182	Kit-Oil Gard®
						982A	690350	Screw (OIL GARD® Kit)
						983	398660	Light-Indicator
						984	692340	Bracket-Oil Gard® Light

★ Included in Engine Gasket Set-Ref. No. 358  
● Included in Carburetor Overhaul Kit-Ref. No. 121.

⊙ Included in Valve Gasket Set-Ref. No. 1095.  
◆ Included in Carburetor Gasket Set-Ref. No. 977.



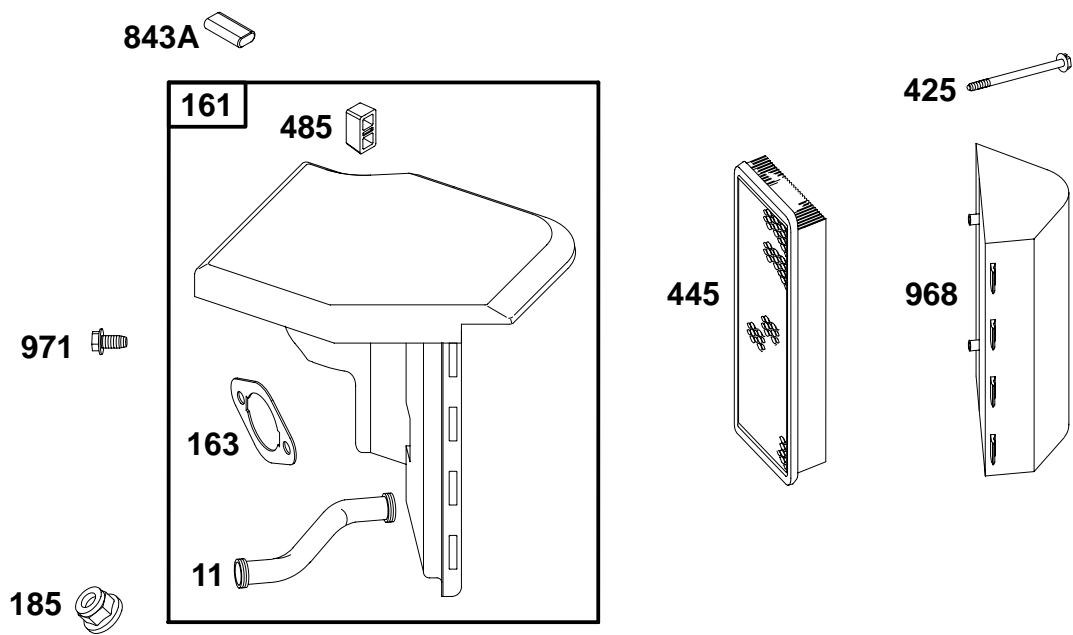


REF. NO.	PART NO.	DESCRIPTION	REF. NO.	PART NO.	DESCRIPTION	REF. NO.	PART NO.	DESCRIPTION
182	495664	Bracket-Fuel Tank	601	93053	Clamp-Hose	957	493988	Cap-Fuel Tank (Plastic)
182A	492990	Bracket-Fuel Tank	674	690708	Screw (Fuel Tank Bracket)	958	399517	Valve-Fuel Shut Off
187	296004	Line-Fuel (Cut to Required Length)	674A	94627	Screw (Fuel Tank Bracket)	972	493337	Tank-Fuel (Plastic)
187A	497029	Line-Fuel (Molded)	918	497457	Hose-Vacuum (Used After Code Date 94071700.)	1200	94926	Stud (Cylinder Head))
210	691370	Strainer-Fuel	<b>Note</b>					
240	394358	Filter-Fuel			393815		Hose-Vacuum (Cut to Required Length)	
360	691105	Nut (Fuel Tank Bracket)					(Used Before Code Date 94071800.)	
385	94789	Screw (Fuel Pump)						
387	496257	Pump-Fuel						
464	280203	O-Ring Seal (Shut Off Valve)						

★ Included in Engine Gasket Set-Ref. No. 358  
 ● Included in Carburetor Overhaul Kit-Ref. No. 121.

⊙ Included in Valve Gasket Set-Ref. No. 1095.  
 ◆ Included in Carburetor Gasket Set-Ref. No. 977.

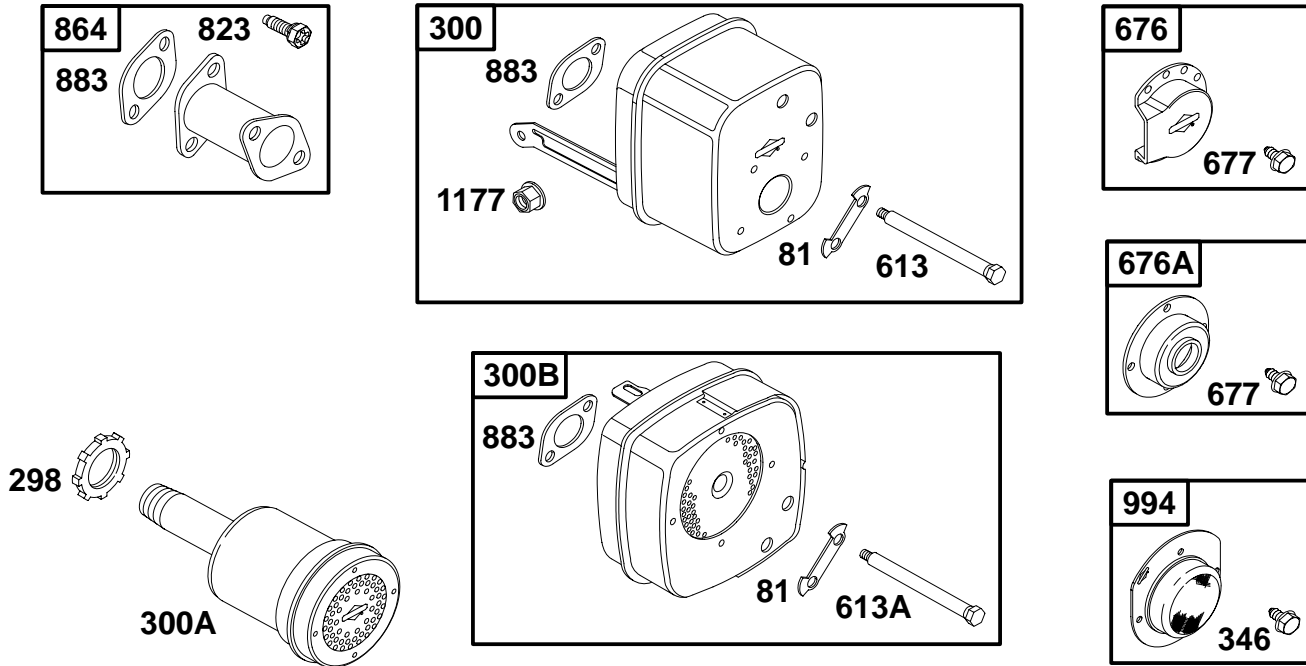
# 197400 to 197499



REF. NO.	PART NO.	DESCRIPTION	REF. NO.	PART NO.	DESCRIPTION	REF. NO.	PART NO.	DESCRIPTION
11	280819	Tube-Breather (Used After Code Date 95040200)	163	∅★273101	Gasket-Air Cleaner	485	280715	Knob-Control
161	497669	Base-Air Cleaner (Used After Code Date 95010100).	185	94010	Nut (Air Cleaner Base)	843A	280149	Sleeve-Lever
		<b>Note</b>	425	94777	Screw (Air Cleaner Cover)	968	281357	Cover-Air Cleaner
		498544 Base-Air Cleaner (Used Before Code Date 95010200).	445	496077	Filter-Air Cleaner Cartridge	971	94930	Screw (Air Cleaner Base)

★ Included in Engine Gasket Set-Ref. No. 358  
 ● Included in Carburetor Overhaul Kit-Ref. No. 121.

∅ Included in Valve Gasket Set-Ref. No. 1095.  
 ◆ Included in Carburetor Gasket Set-Ref. No. 977.

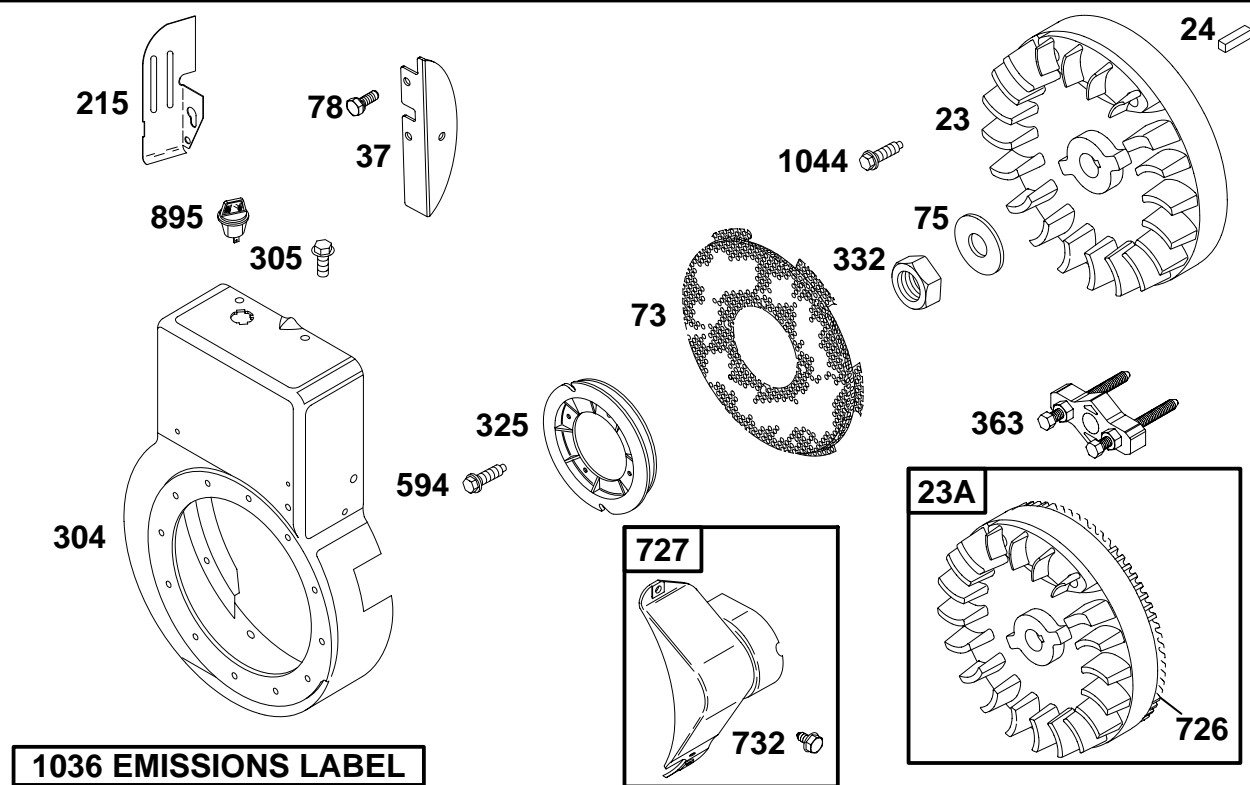


REF. NO.	PART NO.	DESCRIPTION	REF. NO.	PART NO.	DESCRIPTION	REF. NO.	PART NO.	DESCRIPTION
81	222263	Lock-Muffler Screw	613	94054	Screw (Super Lo Tone Muffler)	677	690661	Screw (Muffler Deflector)
298	261409	Locknut-Muffler/Elbow				823	94706	Screw (Muffler Adapter)
300	497141	Muffler (Super Lo Tone)	613A	94042	Screw (Lo Tone Muffler)	864	497140	Adapter-Muffler
300A	496127	Muffler (Round Lo Tone)	676	393757	Deflector-Muffler (Side Out)	883	272309	Gasket-Exhaust
300B	391370	Muffler (Lo Tone)	676A	395700	Deflector-Muffler (Direct Out)	994	399541	Arrestor-Spark
346	690661	Screw (Spark Arrestor)				1177	691105	Nut (Exhaust Muffler)

★ Included in Engine Gasket Set-Ref. No. 358  
 ● Included in Carburetor Overhaul Kit-Ref. No. 121.

◊ Included in Valve Gasket Set-Ref. No. 1095.  
 ◆ Included in Carburetor Gasket Set-Ref. No. 977.

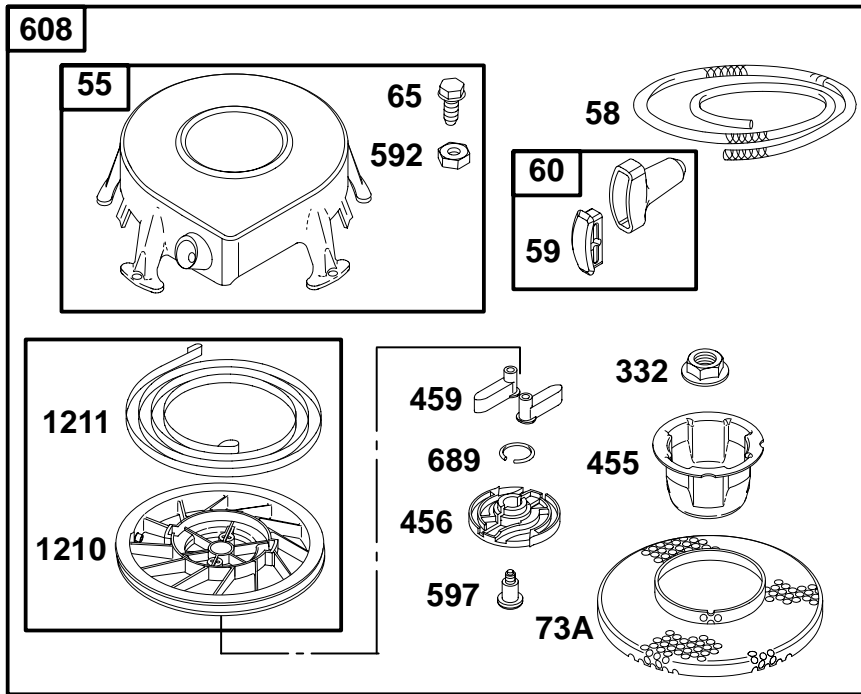
# 197400 to 197499



REF. NO.	PART NO.	DESCRIPTION	REF. NO.	PART NO.	DESCRIPTION	REF. NO.	PART NO.	DESCRIPTION
23	690615	Flywheel (Rewind Start)	305	94786	Screw (Blower Housing)	1036	695696	Label-Emissions (Used After Code Date 00063000).
23A	691354	Flywheel (Electric Start)	325	280457	Pulley-Rope Starter			<b>Note</b>
		<b>Note</b>	332	693899	Nut (Flywheel)			<b>694988</b> Label-Emissions (Used After Code Date 99093000 and Before Code Date 00070100).
		<b>690626</b> Flywheel (Electric Start, Less Magnets) Used on Type No(s). 0140, 1140.	363	19203	Flywheel Puller			<b>694313</b> Label-Emissions (Used After Code Date 98123100 and Before Code Date 99100100).
24	222698	Key-Flywheel	594	94928	Screw (Rope Starter Pulley)			<b>499354</b> Label-Emissions (Used After Code Date 97052500 and Before Code Date 99010100).
37	690411	Guard-Flywheel	726	399676	Gear-Ring			<b>499353</b> Label-Emissions (Used Before Code Date 97052600).
73	224874	Screen-Rotating	727	395405	Cover-Starter Drive	1044	93758	Screw (Flywheel)
75	690582	Washer	732	691097	Screw (Starter Drive Cover)			
78	690364	Screw (Flywheel Guard)	895	396691	Switch-Rotary			
215	691170	Guide-Air						
304	491596	Housing-Blower						
		<b>Note</b>						
		<b>491592</b> Housing-Blower Used on Type No(s). 0120, 0140, 0143, 0148, 0152, 0649, 1140, 1143, 1152, 1153.						

★ Included in Engine Gasket Set-Ref. No. 358  
 ● Included in Carburetor Overhaul Kit-Ref. No. 121.

⊙ Included in Valve Gasket Set-Ref. No. 1095.  
 ◆ Included in Carburetor Gasket Set-Ref. No. 977.

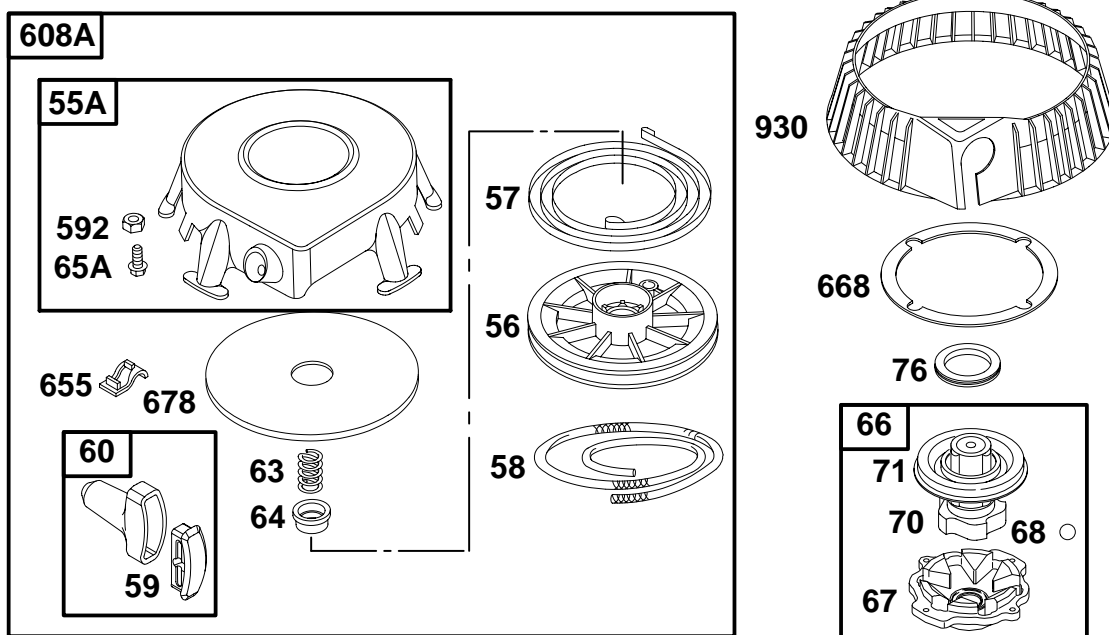


REF. NO.	PART NO.	DESCRIPTION	REF. NO.	PART NO.	DESCRIPTION	REF. NO.	PART NO.	DESCRIPTION
55	693904	Housing—Rewind Starter (Used After Code Date 99022800).	332	693899	Nut (Flywheel) (Used After Code Date 99022800).	597	94943	Screw (Pawl Friction Plate) (Used After Code Date 99022800).
58	66884	Rope—Starter (63" Long, Cut to Required Length)	455	693902	Cup—Flywheel (Used After Code Date 99022800).	608	693900	Starter—Rewind (63" Length Rope) (Used After Code Date 99022800).
58A	66894	Rope—Starter (99" Long, Cut to Required Length)	455A	694017	Cup—Flywheel (Used with 99" Rope) (Used After Code Date 99022800).	689	263073	Spring—Friction (Used After Code Date 99022800).
59	490653	Insert—Grip	456	281503	Plate—Pawl Friction (Used After Code Date 99022800).	1210	498144	Pulley Spring Assembly (Pulley) (Used After Code Date 99022800).
60	490652	Grip—Starter Rope	459	281505	Pawl—Ratchet (Used After Code Date 99022800).	1211	498144	Pulley Spring Assembly (Spring) (Used After Code Date 99022800).
65	94904	Screw (Rewind Starter) (Used After Code Date 99022800).	592	94908	Nut (Starter Rewind)			
73A	693905	Screen—Rotating (Used After Code Date 99022800).						
73B	694020	Screen—Rotating (Used with 99" Rope) (Used After Code Date 99022800).						

★ Included in Engine Gasket Set—Ref. No. 358  
● Included in Carburetor Overhaul Kit—Ref. No. 121.

⊘ Included in Valve Gasket Set—Ref. No. 1095.  
◆ Included in Carburetor Gasket Set—Ref. No. 977.

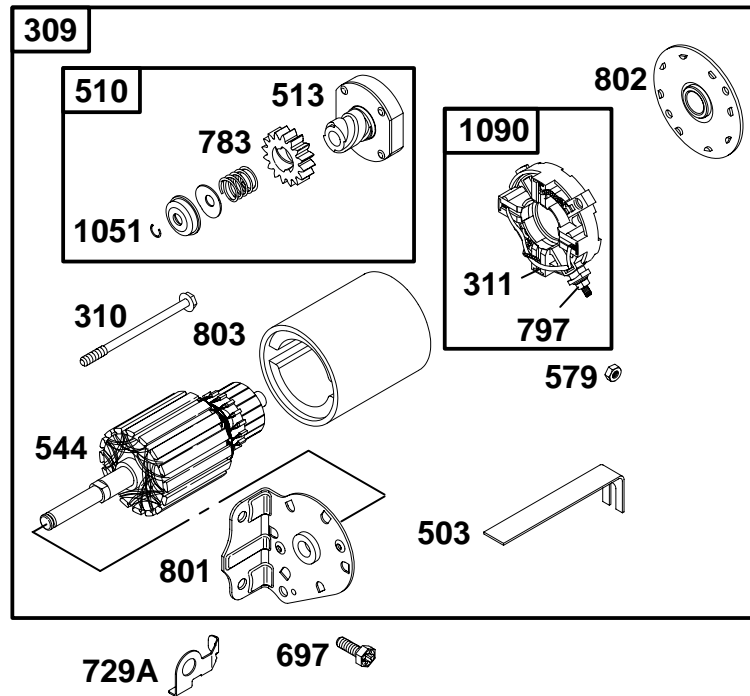
# 197400 to 197499



REF. NO.	PART NO.	DESCRIPTION	REF. NO.	PART NO.	DESCRIPTION	REF. NO.	PART NO.	DESCRIPTION
55A	393576	Housing-Rewind Starter (Used Before Code Date 99030100).	64	281204	Adapter-Spring (Used Before Code Date 99030100).	71	691359	Cover-Ratchet (Used Before Code Date 99030100).
56	295871	Pulley-Starter (Used Before Code Date 99030100).	65A	690837	Screw (Rewind Starter) (Used Before Code Date 99030100).	76	68238	Seal-Ratchet (Used Before Code Date 99030100).
57	490179	Spring-Rewind Starter (Used Before Code Date 99030100).	66	399671	Clutch-Starter (Used Before Code Date 99030100).	592	94908	Nut (Rewind Starter)
58	66884	Rope-Starter (63" Long, Cut to Required Length)	67	394897	Housing-Clutch (Used Before Code Date 99030100).	608A	390391	Starter-Rewind (Used Before Code Date 99030100).
59	490653	Insert-Grip	68	63770	Ball-Clutch (Used Before Code Date 99030100).	655	222598	Anchor-Rewind Spring (Used Before Code Date 99030100).
60	490652	Grip-Starter Rope	70	298799	Ratchet-Clutch (Used Before Code Date 99030100).	668	690500	Spacer (Used Before Code Date 99030100).
63	260414	Spring-Ratchet (Used Before Code Date 99030100).				678	490817	Spacer-Rewind (Used Before Code Date 99030100).
						930	280685	Guard-Rewind

★ Included in Engine Gasket Set-Ref. No. 358  
 ● Included in Carburetor Overhaul Kit-Ref. No. 121.

⊙ Included in Valve Gasket Set-Ref. No. 1095.  
 ◆ Included in Carburetor Gasket Set-Ref. No. 977.



REF. NO.	PART NO.	DESCRIPTION	REF. NO.	PART NO.	DESCRIPTION	REF. NO.	PART NO.	DESCRIPTION
309	693054	Motor-Starter	544	497603	Armature-Starter	797	693167	Nut (Brush Retainer)
310	690323	Bolt (Starter Motor)	579	92278	Nut (Starter Cable)	801	394856	Cap-Drive
311	497608	Brush Set	697	690372	Screw (Starter Motor)	802	497607	Cap-End
503	691532	Strap-Starter	729A	691224	Clip-Wire	803	693757	Housing-Starter
510	497606	Drive-Starter	783	693059	Gear-Pinion	1051	263080	Ring-Retaining
513	398003	Clutch-Drive				1090	497605	Retainer-Brush

★ Included in Engine Gasket Set-Ref. No. 358  
 ● Included in Carburetor Overhaul Kit-Ref. No. 121.

⊘ Included in Valve Gasket Set-Ref. No. 1095.  
 ◆ Included in Carburetor Gasket Set-Ref. No. 977.

# 197400 to 197499

