

196400 to 196499

Illustrated Parts List

Model Series

196400 to 196499

TYPE NUMBERS
0004 through 0022,
0030 through 0073,
0101, 0103,
0112 through 0129,
0132 through 0152,
0160 through 0167,
0170 through 0176,
0180, 0181, 0182,
0197, 0198,
0223, 0225,
0506, 0513, 0522,
0533, 0535,
0541 through 0549,
0559, 0565, 0570,

TYPE NUMBERS
0615, 0621, 0624,
0627 through 0635,
0646, 0650, 0653,
0663 through 0675,
0685, 0690,
0702, 0703,
1004 through 1016,
1022 through 1080,
1101 through 1116,
1121, 1123, 1124,
1129 through 1153,
1162 through 1175,
1181 through 1198,
1202 through 1244.

TO FIND

**THE CORRECT NUMBER OF THE PART YOU NEED:
FOLLOW THE INSTRUCTIONS BELOW**

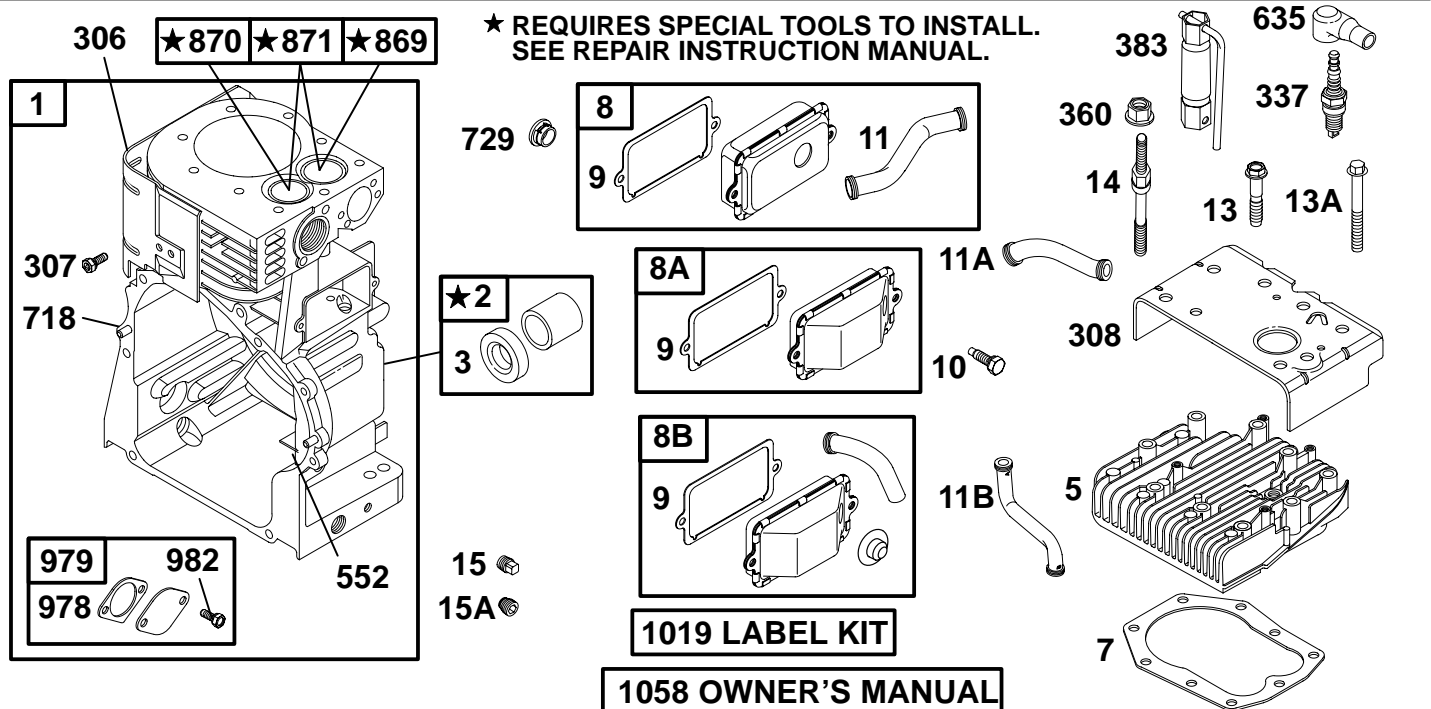
- A. Refer to Engine Model, Type and Code Number that is stamped on the blower housing of engine. Engine type numbers such as 0123 01 are listed only as 0123 in most instances. The two digits (01 or 02, etc.) to the right of the space may be required for more accurate parts identification in some instances. Select the Illustrated Parts List covering the correct Model Series and Type Number.
- B. Refer to the Illustrations and compare the original part with Illustration. The number next to the illustration is the Reference Number. Assemblies include all parts shown in frames. All parts shown in assembly frames having individual reference numbers can be purchased separately.
- C. After the Reference Number has been identified, refer to the Numerical text, where Reference and Primary Part Number are listed. **THE PRIMARY PART IS USED ON ALL TYPE NUMBERS EXCEPT THOSE TYPE NUMBERS UNDER "NOTE."**
- D. If a "Note" appears below the Primary Part Number, it means that this part differs from the Primary Part for certain types. If your Type number is listed under "Note," order the part referred to at the "Note."
- E. If your Engine Type Number does not appear after any part number listed under "Note," use the Primary Part Number.
- F. For Engine Type Numbers not covered by this book, check other Parts Lists having the same engine model or contact your source of supply.

PRINTED IN U.S.A



COPYRIGHT by BRIGGS & STRATTON CORPORATION
All rights reserved. No part of this material may be reproduced or transmitted, in any form or by any means, electronic or mechanical, including photocopying, recording or by any information storage and retrieval system, without permission in writing from Briggs & Stratton Corporation.

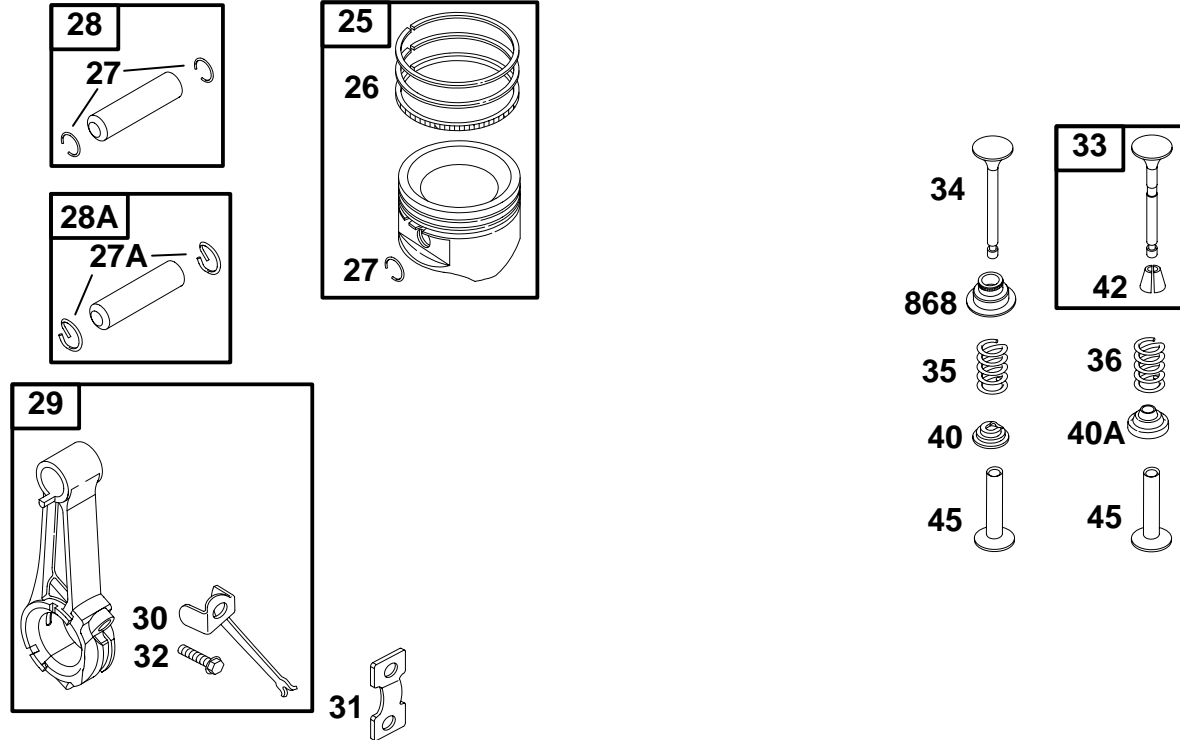
196400 to 196499



REF. NO.	PART NO.	DESCRIPTION	REF. NO.	PART NO.	DESCRIPTION	REF. NO.	PART NO.	DESCRIPTION
1	495656	Cylinder Assembly	13	94565	Screw (Cylinder Head) (3 9/16" Long)	635	66538	Boot-Sparkplug
2	495657	Kit-Bushing/Seal (Magneto Side)	13A	94622	Screw (Cylinder Head) (3" Long)	718	230192	Pin-Locating
3	★391086	Seal-Oil (Magneto Side)	14	94926	Stud (Cylinder Head) (2 1/2" Long)	729	691336	Clip-Wire
5	691159	Head-Cylinder	15	94239	Plug-Oil Drain ————— Note ————— 691109 Stud (Cylinder Head) (3" Long)	869	211661	Seat-Valve (Intake)
7	∅★272163	Gasket-Cylinder Head	15A	94880	Plug-Oil Drain (Flush)	870	262924	Seat-Valve (Exhaust)
8	498038	Breather Assembly (Used After Code Date 95040200).	306	496797	Shield-Cylinder	871	261961	Bushing-Valve Guide (Exhaust)
8A	495736	Breather Assembly (Used After Code Date 95010100 and Before Code Date 95040300).	307	94930	Screw (Cylinder Shield)	————— Note ————— 231218	—————	Bushing-Valve Guide (Intake)
8B	497710	Breather Assembly (Used Before Code Date 95010200).	308	691201	Cover-Cylinder Head	978	★273326	Gasket-Oil Gard®
9	∅★27803	Gasket-Breather	337	802592	Sparkplug (Resistor Type) ————— Note ————— 492167 Sparkplug	979	691382	Cover-Oil Gard®
10	691666	Screw (Breather Assembly)	360	691105	Nut (Fuel Tank Bracket)	982	690351	Screw (OIL GARD® Cover)
11	280819	Tube-Breather (Used After Code Date 95040200).	383	89838	Wrench-Sparkplug	1019	497156	Kit-Label
11A	280225	Tube-Breather (Used After Code Date 95010100 and Before Code Date 95040300).	552	491986	Bushing-Governor Crank	1058	274486	Owner's Manual (Emission Engines) (Used After Code Date 97063000).
11B	281426	Tube-Breather (Used Before Code Date 94111100).				————— Note ————— 273130	—————	Owner's Manual (Emission Engines) (Used Before Code Date 97070100).
						272848		Owner's Manual (Non Emission Engines)

★ Included in Engine Gasket Set-Ref. No. 358.
● Included in Carburetor Overhaul Kit-Ref. No. 121.

∅ Included in Valve Gasket Set-Ref. No. 1095.
◆ Included in Carburetor Gasket Set-Ref. No. 977.

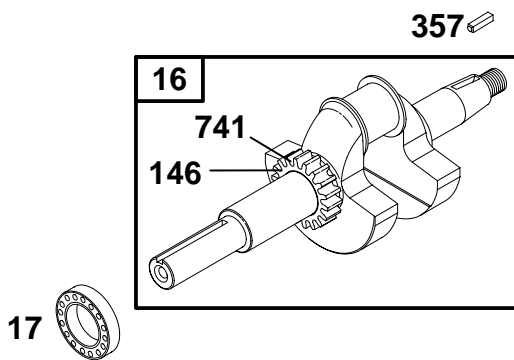


REF. NO.	PART NO.	DESCRIPTION	REF. NO.	PART NO.	DESCRIPTION	REF. NO.	PART NO.	DESCRIPTION
25	499960	Piston Assembly (Standard) _____ Note _____ 499961 Piston Assembly (.010 O.S.) 499962 Piston Assembly (.020 O.S.) 499963 Piston Assembly (.030 O.S.)	28	499302	Pin-Piston (Standard) (Used After Code Date 96102700). _____ Note _____ 499303 Pin-Piston (.005 O.S.) (Used After Code Date 96102700).	30	222113	Dipper-Connecting Rod
26	393881	Ring Set (Standard) _____ Note _____ 299743 Ring Set (Standard Chrome) 393882 Ring Set (.010 O.S.) 393883 Ring Set (.020 O.S.) 690017 Ring Set (.030 O.S.)	28A	295840	Pin-Piston (Standard) (Used Before Code Date 86102800). _____ Note _____ 295841 Pin-Piston (.005 O.S.) (Used Before Code Date 86102800).	31	222114	Lock-Rod Screw
27	263181	Lock-Piston Pin	29	390401	Rod-Connecting (Standard) _____ Note _____ 390773 Rod-Connecting (.020 Undersize)	32	690352	Screw (Connecting Rod)
27A	691073	Lock-Piston Pin				33	390420	Valve-Exhaust
						34	261055	Valve-Intake
						35	65906	Spring-Valve (Intake)
						36	26828	Spring-Valve (Exhaust)
						40	221596	Retainer-Valve
						40A	292260	Retainer-Valve _____ Note _____ 690274 Retainer-Valve Used on Type No(s). 0011, 1011.
						42	494553	Keeper-Valve
						45	260933	Tappet-Valve
						868	497656	Seal-Valve

★ Included in Engine Gasket Set-Ref. No. 358.
 ● Included in Carburetor Overhaul Kit-Ref. No. 121.

⊗ Included in Valve Gasket Set-Ref. No. 1095.
 ♦ Included in Carburetor Gasket Set-Ref. No. 977.

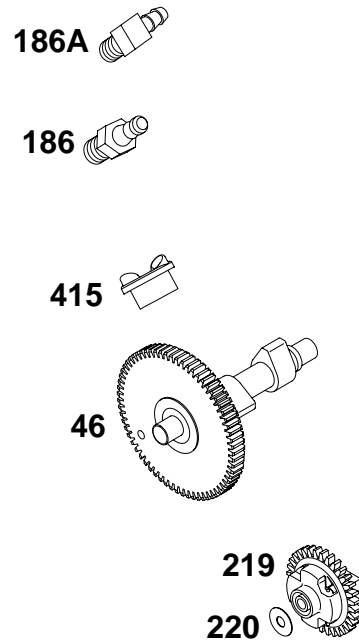
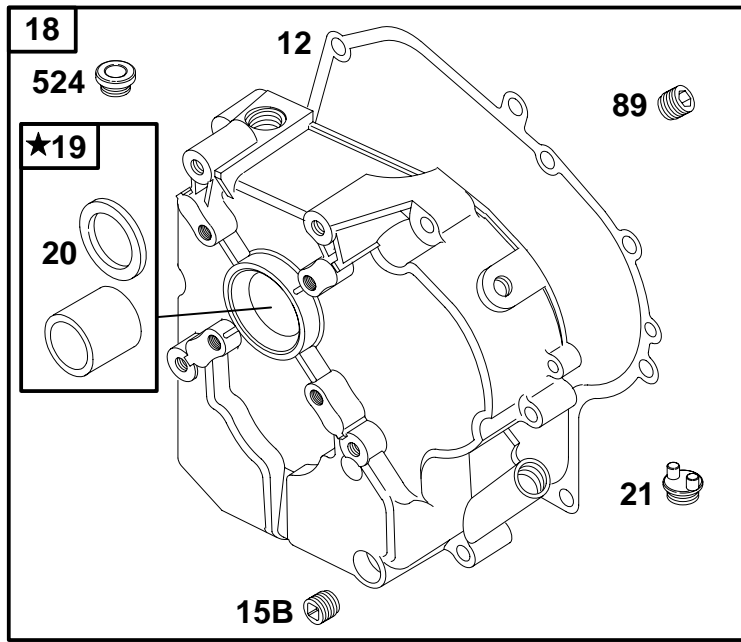
196400 to 196499



REF. NO.	PART NO.	DESCRIPTION	REF. NO.	PART NO.	DESCRIPTION	REF. NO.	PART NO.	DESCRIPTION			
16	495790	Crankshaft Note 495648 Crankshaft Used on Type No(s). 0004, 0022, 0149, 0162, 1004, 1022, 1123, 1149, 1162, 1231, 1236. 495655 Crankshaft Used on Type No(s). 0005, 0010, 0033, 0035, 0039, 0041, 0101, 0115, 0135, 0138, 0146, 0150, 0151, 0152, 0164, 0170, 0175, 0176, 0197, 0198, 0225, 0513, 0533, 0535, 0541, 0615, 0624, 0630, 0635, 0646, 0650, 0666, 0667, 0674, 0675, 0685, 0690, 1005, 1010, 1013, 1022, 1033, 1035, 1036, 1039, 1041, 1080, 1101, 1115, 1123, 1124, 1130, 1135, 1146, 1149, 1150, 1151, 1152, 1164, 1166, 1167, 1175, 1183, 1184, 1197, 1198, 1226, 1227, 1231, 1237, 1240. 690834 Crankshaft Used on Type No(s). 0011, 0048, 0049, 0051, 0103, 0549, 0559, 1011, 1024, 1048, 1049, 1059, 1061.									
				495788	Crankshaft Used on Type No(s). 0116, 0133, 0134, 0144, 0145, 0148, 0163, 0634, 0663, 1016, 1033, 1063, 1116, 1133, 1134, 1145, 1163. 495789 Crankshaft Used on Type No(s). 0009, 0047, 0057, 0114, 0547, 1009, 1047, 1057, 1114. 495866 Crankshaft Used on Type No(s). 0065, 0132, 0180, 0223, 0565, 1065, 1132, 1223. 495884 Crankshaft Used on Type No(s). 0117, 0129, 1036, 1129, 1144, 1153, 1202. 497146 Crankshaft Used on Type No(s). 0121, 0127, 0621, 0627, 1121. 497155 Crankshaft Used on Type No(s). 0112, 0140. 499531 Crankshaft Used on Type No(s). 0165, 1165, 1244. 693013 Crankshaft Used on Type No(s). 0668, 0703, 1215, 1230, 1243.						
						17	691069	Bearing-Ball			
						146	94388	Key-Timing			
						357	91540	Key-Drive Pulley			
						741	691288	Gear-Timing			

★ Included in Engine Gasket Set-Ref. No. 358.
 ● Included in Carburetor Overhaul Kit-Ref. No. 121.

⊗ Included in Valve Gasket Set-Ref. No. 1095.
 ◆ Included in Carburetor Gasket Set-Ref. No. 977.



★ **REQUIRES SPECIAL TOOLS TO INSTALL. SEE REPAIR INSTRUCTION MANUAL.**



REF. NO.	PART NO.	DESCRIPTION	REF. NO.	PART NO.	DESCRIPTION	REF. NO.	PART NO.	DESCRIPTION
12	★271701	Gasket-Crankcase (.015 Standard) Note ★27876 Gasket-Crankcase (.005) ★27877 Gasket-Crankcase (.009)			0630, 0690, 1007, 1036, 1065, 1121, 1124, 1129, 1130, 1132, 1143, 1152, 1181. 496982 Cover-Crankcase Used on Type No(s). 0004, 0022, 0149, 0162, 0165, 0522, 1004, 1022, 1123, 1149, 1162, 1165, 1231, 1236, 1244. 496983 Cover-Crankcase Used on Type No(s). 0011, 0048, 0049, 0051, 0103, 0117, 0549, 0668, 0703, 1011, 1024, 1048, 1049, 1059, 1061. 496984 Cover-Crankcase Used on Type No(s). 0171, 0172, 0671, 1171, 1172.	21	281658	Cap-Oil Fill
15B	690343	Plug-Oil Drain				22	93585	Screw (Crankcase Cover) Note 691103 Screw (Crankcase Cover) (Used in Position 1 Only) Used on Type No(s). 0690, 1013, 1022, 1059, 1061, 1129, 1144, 1198, 1231, 1236.
18	496981	Cover-Crankcase Note 496979 Cover-Crankcase Used on Type No(s). 0116, 0133, 0134, 0145, 0148, 0163, 0634, 0663, 1016, 1033, 1063, 1116, 1133, 1134, 1145, 1163. 496980 Cover-Crankcase Used on Type No(s). 0007, 0065, 0114, 0121, 0127, 0129, 0132, 0140, 0143, 0152, 0166, 0167, 0180, 0181, 0565, 0621, 0624, 0627,	19	295964	Kit-Bushing/Seal (PTO Side)	46	211689	Camshaft
			20	★391086	Seal-Oil (PTO Side)	89	690283	Plug-Oil
						170	94931	Stud (Crankcase Cover) (Used in Position 1 Only) Used on Type No(s). 1073, 1171, 1172.
						186	230318	Connector-Hose
						186A	67218	Hose Connector
						219	496786	Gear-Governor
						220	221551	Washer (Governor Gear)
						415	693463	Plug
						524	★281370	Seal-Dipstick Tube

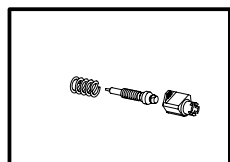
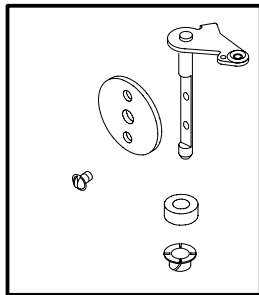
★ Included in Engine Gasket Set-Ref. No. 358.
● Included in Carburetor Overhaul Kit-Ref. No. 121.

⊗ Included in Valve Gasket Set-Ref. No. 1095.
◆ Included in Carburetor Gasket Set-Ref. No. 977.

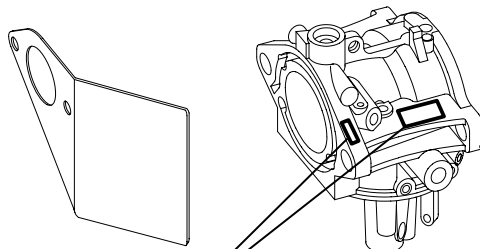
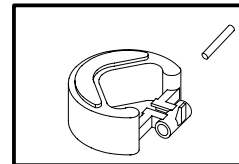
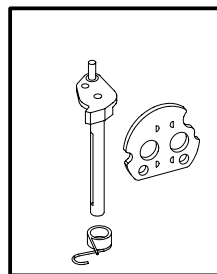
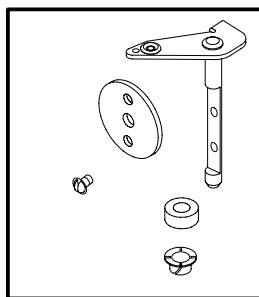
196400 to 196499

★ **REQUIRES SPECIAL TOOLS TO INSTALL. SEE REPAIR INSTRUCTION MANUAL.**

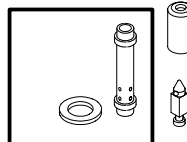
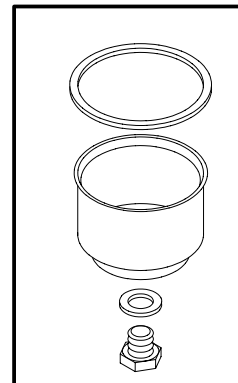
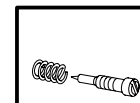
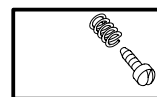
125



For Additional Carburetor Information See Previous Page.



LMT/CARBURETOR PART NUMBER LOCATIONS

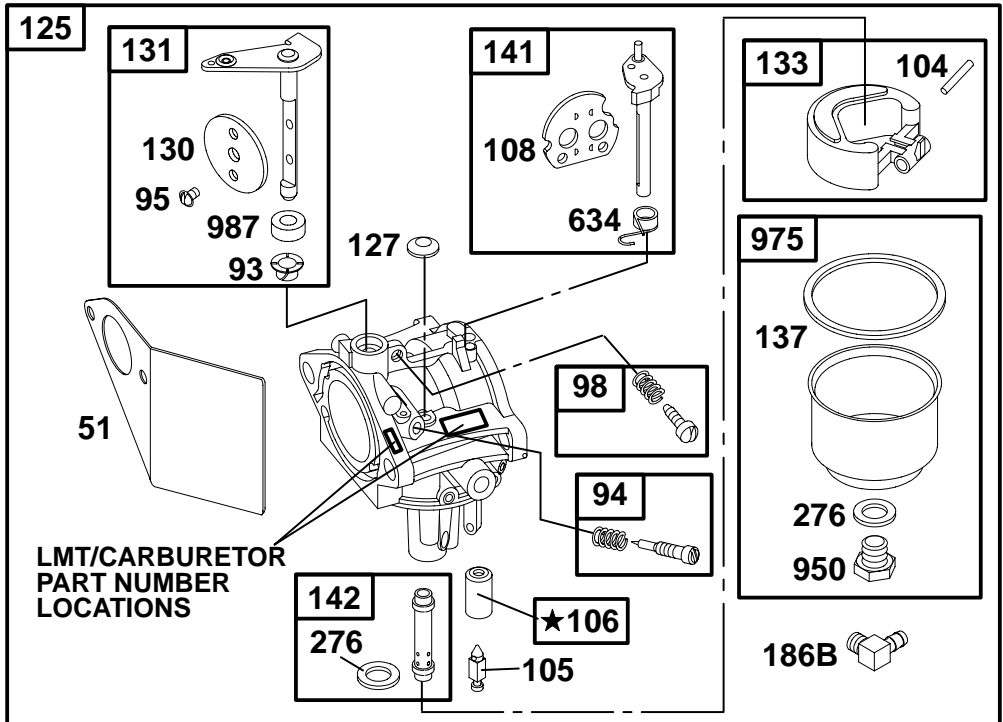
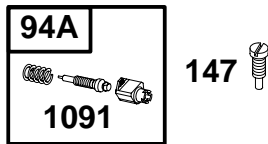
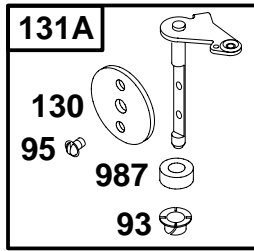


REF. NO.	PART NO.	DESCRIPTION	REF. NO.	PART NO.	DESCRIPTION	REF. NO.	PART NO.	DESCRIPTION
125	497581	Carburetor (LMT 115, 171) (For additional Carburetor Information See following page) (Used After Code Date 94083100).		1143, 1144, 1145, 1146, 1149, 1150, 1151, 1152, 1153, 1162, 1163, 1164, 1165, 1166, 1167, 1171, 1172, 1175, 1181, 1183, 1184, 1197, 1198, 1202, 1215, 1223, 1226, 1227, 1230, 1231, 1232, 1233, 1236, 1237, 1240, 1241, 1243, 1244.			0685, 0690, 0702, 0703, 1005, 1006, 1007, 1008, 1009, 1011, 1013, 1016, 1022, 1030, 1033, 1035, 1039, 1041, 1042, 1047, 1048, 1049, 1050, 1057, 1065, 1070, 1073, 1101, 1113, 1114, 1115, 1116, 1121, 1124, 1129, 1130, 1132, 1133, 1134, 1143, 1145, 1146, 1149, 1150, 1152, 1153, 1162, 1163, 1164, 1165, 1167, 1171, 1172, 1175, 1181, 1197, 1198, 1202, 1215, 1223, 1226.	
		Note		498838 Carburetor (LMT 119) (Used Before Code Date 97100200). Used on Type No(s). 0225, 0506, 0513, 0522, 0533, 0535, 0541, 0542, 0547, 0549, 0559, 0565, 0570, 0615, 0621, 0624, 0627, 0630, 0634, 0635, 0646, 0650, 0653, 0663, 0666, 0667, 0668, 0671, 0674, 0675,			694571 Carburetor Used on Type No(s). 1235.	
		690117 Carburetor (LMT 190 P/N 499455) (Used After Code Date 97100100). Used on Type No(s). 1004, 1005, 1006, 1007, 1008, 1009, 1010, 1011, 1013, 1016, 1022, 1024, 1030, 1033, 1035, 1036, 1039, 1041, 1042, 1047, 1048, 1049, 1050, 1057, 1059, 1061, 1063, 1065, 1070, 1073, 1080, 1101, 1113, 1114, 1115, 1116, 1121, 1123, 1124, 1129, 1130, 1132, 1133, 1134, 1135,					497038 Carburetor (LMT 69, 103) (Used Before Code Date 94090100).	

★ Included in Engine Gasket Set—Ref. No. 358.
● Included in Carburetor Overhaul Kit—Ref. No. 121.

⊗ Included in Valve Gasket Set—Ref. No. 1095.
◆ Included in Carburetor Gasket Set—Ref. No. 977.

★ **REQUIRES SPECIAL TOOLS TO INSTALL. SEE REPAIR INSTRUCTION MANUAL.**



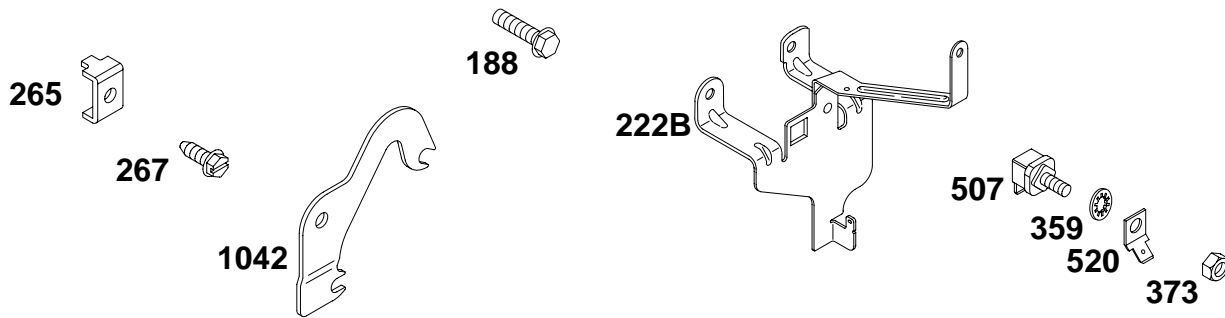
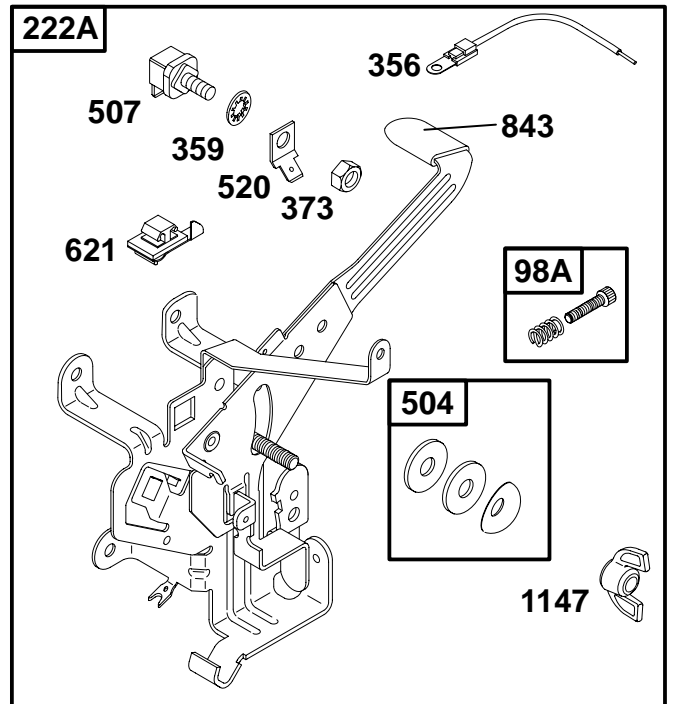
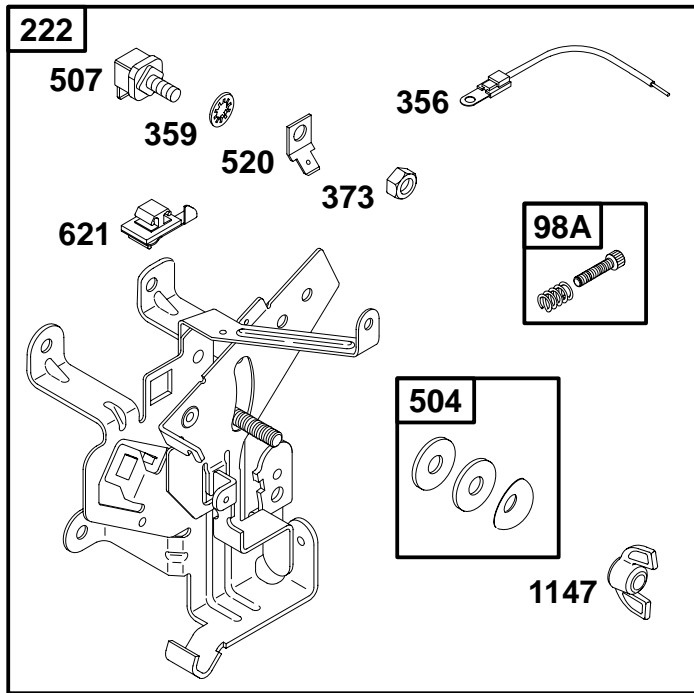
For Additional Carburetor Information See Next Page.

REF. NO.	PART NO.	DESCRIPTION	REF. NO.	PART NO.	DESCRIPTION	REF. NO.	PART NO.	DESCRIPTION
51	●♦272708	Gasket-Intake	142	●499094	Nozzle-Carburetor (Standard, LMT 171)	147	●497472	Jet-Pilot (LMT 69, 103, 115)
93	●690602	Bushing-Throttle Shaft		Note			Note	
94	494383	Kit-Idle Mixture	690121	Nozzle-Carburetor (Standard, LMT 190)	691258	Jet-Pilot (LMT 119)		
94A	498836	Kit-Idle Mixture (LMT 119)	691430	Nozzle-Carburetor (Standard, LMT 119)	186B	493496	Connector-Hose	
95	●94098	Screw (Throttle Valve)	●497196	Nozzle-Carburetor (Standard, LMT 69, 103, 115)	276	●♦281164	Washer-Sealing	
98	495800	Kit-Idle Speed	690122	Nozzle-Carburetor (High Altitude, LMT 190)	634	●690802	Spring/Seal Assembly	
104	●690525	Pin-Float Hinge	499111	Nozzle-Carburetor (High Altitude, LMT 171)	950	94642	Screw (Float Bowl)	
105	●231935	Valve-Float Needle	497660	Nozzle-Carburetor (High Altitude, LMT 119)	975	495933	Bowl-Float	
106	●231856	Seat-Inlet	497040	Nozzle-Carburetor (High Altitude, LMT 69, 103, 115)	987	●691326	Seal-Throttle Shaft	
	Note	231854 Seat-Inlet Used on Type No(s). 1235.			1091	691333	Cap-Limiter	
108	692344	Valve-Choke						
125		Carburetor						
		See Previous Page						
127	694524	Plug-Welch						
130	690468	Valve-Throttle						
131	693602	Kit-Throttle Shaft (Used After Code Date 94083100).						
131A	497042	Kit-Throttle Shaft (Used Before Code Date 94090100).						
133	494381	Float-Carburetor						
137	●♦281165	Gasket-Float Bowl						
141	497043	Kit-Choke Shaft						

★ Included in Engine Gasket Set-Ref. No. 358.
● Included in Carburetor Overhaul Kit-Ref. No. 121.

⊗ Included in Valve Gasket Set-Ref. No. 1095.
♦ Included in Carburetor Gasket Set-Ref. No. 977.

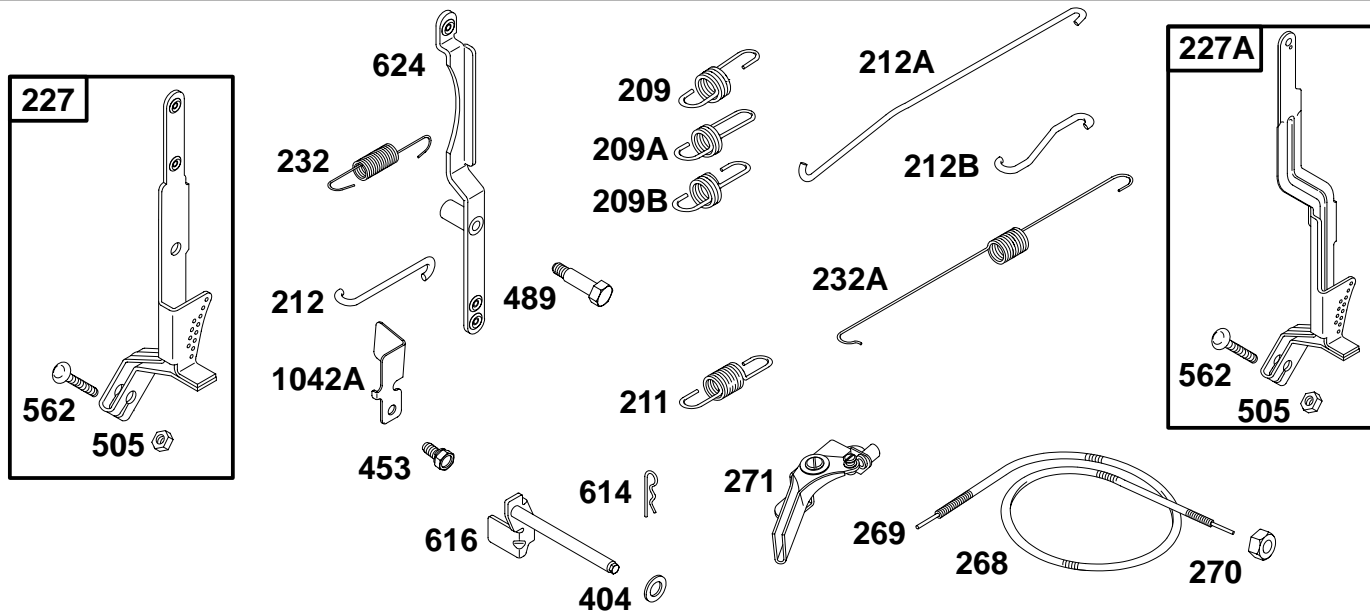
196400 to 196499



REF. NO.	PART NO.	DESCRIPTION	REF. NO.	PART NO.	DESCRIPTION	REF. NO.	PART NO.	DESCRIPTION
98A	493280	Kit-Idle Speed	222A	691478	Bracket-Control (Used After Code Date 97042700).	373	90576	Nut (Ground Terminal)
188	94929	Screw (Control Bracket)			Note	504	495659	Washer Set-Friction
222	691480	Bracket-Control (Used After Code Date 97042700).			499722 Bracket-Control (Used Before Code Date 97042800).	507	398525	Insulator
		Note	222B	693606	Bracket-Control	520	691084	Terminal-Ground
		497076 Bracket-Control (Used Before Code Date 97042800).	265	221535	Clamp-Casing	621	396847	Switch-Stop
			267	94906	Screw (Casing Clamp)	843	691322	Sleeve-Lever
			356	691408	Wire-Stop	1042	692870	Bracket-Electromagnetic Used on Type No(s). 0171, 0172, 0671, 1171, 1172.
			359	691077	Washer (Ground Terminal)	1147	690355	Nut (Control Bracket)

★ Included in Engine Gasket Set-Ref. No. 358.
● Included in Carburetor Overhaul Kit-Ref. No. 121.

⊗ Included in Valve Gasket Set-Ref. No. 1095.
◆ Included in Carburetor Gasket Set-Ref. No. 977.

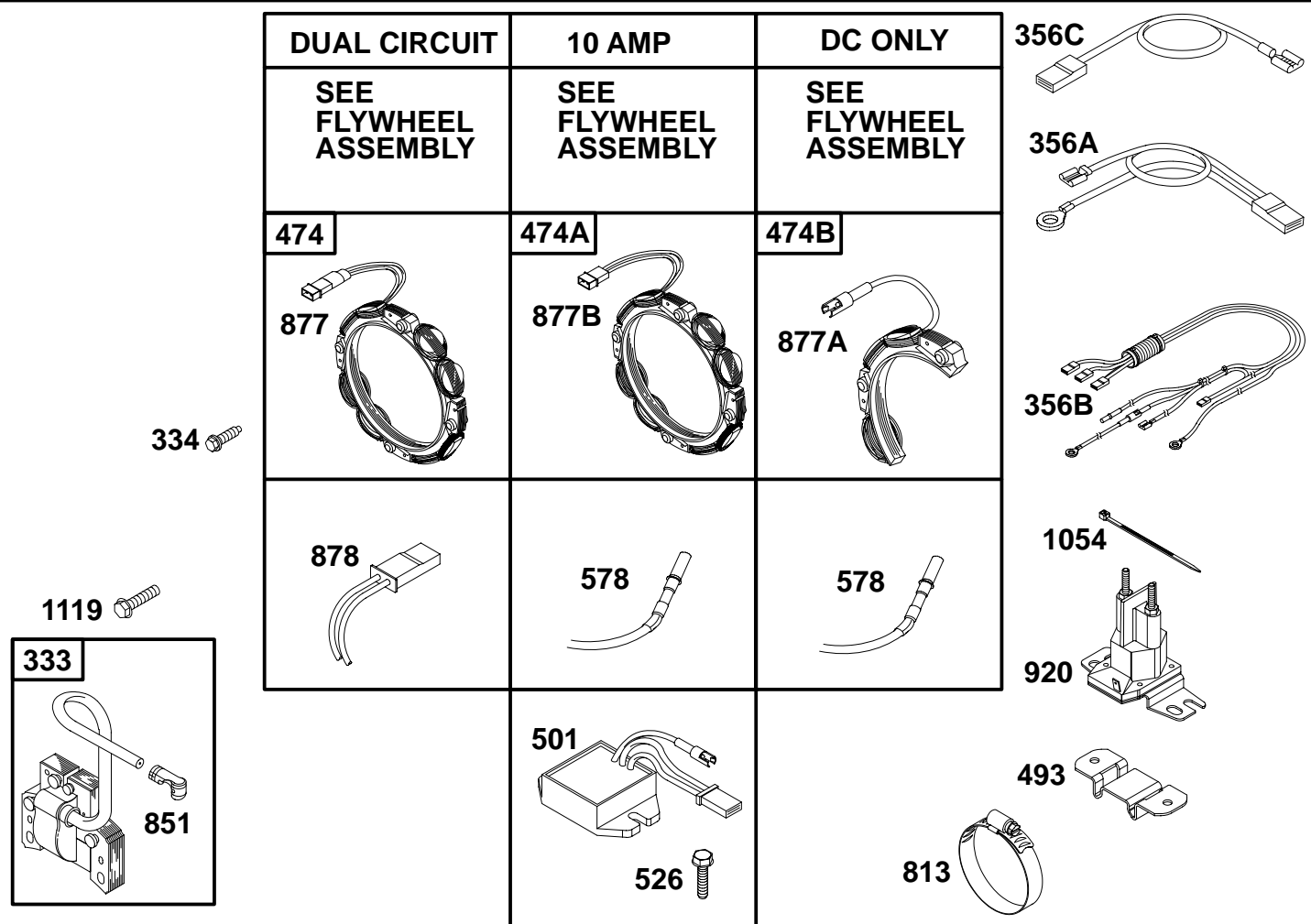


REF. NO.	PART NO.	DESCRIPTION	REF. NO.	PART NO.	DESCRIPTION	REF. NO.	PART NO.	DESCRIPTION
209	691309	Spring-Governor (Used After Code Date 97042700).	211	691307	Spring-Governed Idle	268	65616	Casing-Control Wire
209A	263054	Spring-Governor (Used After Code Date 94083100 and Before Code Date 97042800). Note 260723 Spring-Governor (Used Before Code Date 94090100).	212	263049	Link-Throttle (Governor Control Lever to Linkage Lever)	269	26633	Wire-Control (Control Wire Casing)
209B	692136	Spring-Governor (Used After Code Date 97042700). Used on Type No(s). 0006, 0007, 0008, 0030, 0042, 0050, 0070, 0073, 0112, 0113, 0120, 0143, 0147, 0160, 0161, 0166, 0167, 0171, 0172, 0174, 0181, 0182, 0506, 0542, 0570, 0671, 1006, 1007, 1008, 1030, 1042, 1050, 1070, 1073, 1080, 1113, 1143, 1171, 1172, 1181, 1232, 1233, 1235, 1241.	212A	262970	Link-Throttle (Governor Control Lever to Throttle Shaft)	270	63426	Nut (Governor Control Lever)
			212B	263051	Link-Throttle (Linkage Lever to Throttle Shaft)	271	290568	Lever-Control (Governor Crank)
			227	692143	Lever-Governor Control (Short Lever With Governor Idle Eyelet) (Used After Code Date 97042700). Note 496254 Lever-Governor Control (Short Lever) (Used Before Code Date 97042800).	404	94927	Washer (Governor Crank)
			227A	496253	Lever-Governor Control (Long Lever) (Used Before Code Date 94090100).	453	691131	Screw (Electro Magnet Bracket)
			232	263020	Spring-Governor Link	489	231520	Screw (Linkage Lever)
			232A	262959	Spring-Governor Link	505	691251	Nut (Governor Control Lever)
						562	691119	Bolt (Governor Control Lever)
						614	93306	Pin-Cotter
						616	691405	Crank-Governor
						624	691415	Lever-Linkage
						1042A	691229	Bracket-Electromagnetic Used on Type No(s). 0143, 0166, 0171, 0172, 0671, 1171.

★ Included in Engine Gasket Set-Ref. No. 358.
● Included in Carburetor Overhaul Kit-Ref. No. 121.

⊗ Included in Valve Gasket Set-Ref. No. 1095.
◆ Included in Carburetor Gasket Set-Ref. No. 977.

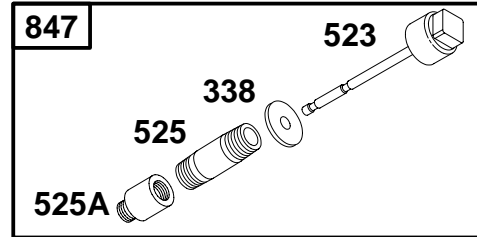
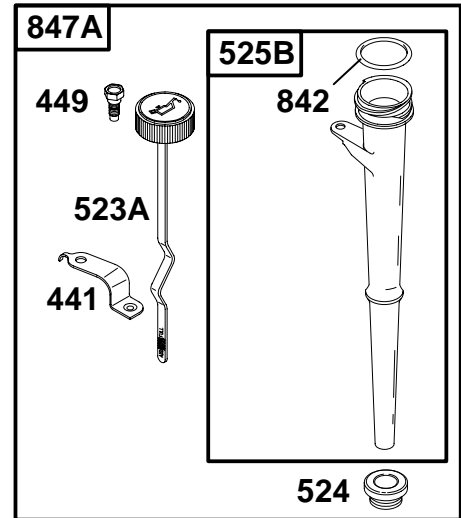
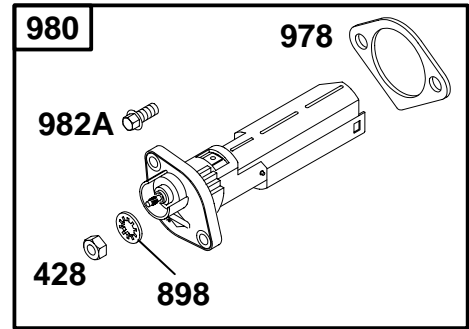
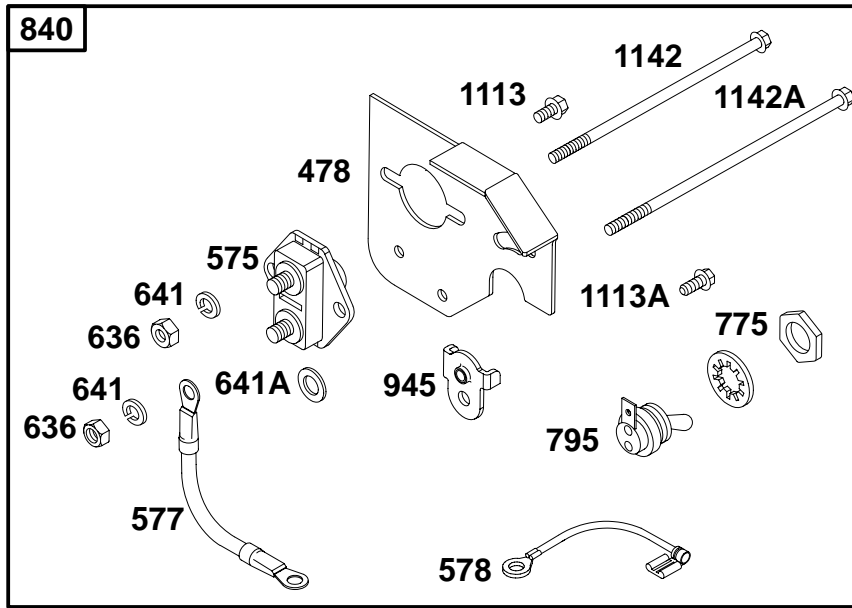
196400 to 196499



REF. NO.	PART NO.	DESCRIPTION	REF. NO.	PART NO.	DESCRIPTION	REF. NO.	PART NO.	DESCRIPTION
333	398811	Armature-Magneto	356C	491927	Wire-Stop (Terminal Assembly)	877	393456	Wire/Connector-Alternator (Dual Lead)
334	94731	Screw (Magneto Armature)	474	393474	Alternator (Dual Circuit)	877A	393814	Wire/Connector-Alternator (Single Lead)
356A	398838	Wire-Stop (Single Stop)	474A	393295	Alternator (10 Amp)	877B	399916	Wire/Connector-Alternator (Dual Lead Without Diode)
356B	691402	Wire-Stop	474B	391529	Alternator (dc Only)	878	393362	Harness-Alternator
		Note	493	691177	Bracket-Mounting (Regulator)	920	807829	Solenoid-Starter
		691403 Wire-Stop (Oil Guard Installed) Used on Type No(s). 0006, 0007, 0008, 0009, 0030, 0042, 0050, 0070, 0112, 0113, 0120, 0171, 0172, 0181, 0182, 0197, 0506, 0570, 0671, 1006, 1007, 1008, 1009, 1030, 1042, 1050, 1070, 1080, 1113, 1171, 1172, 1181, 1197, 1232, 1235, 1241.	501	394890	Regulator	1054	280275	Tie-Cable
			526	690297	Screw (Regulator)	1119	93621	Screw (Alternator)
			578	393422	Wire Assembly			
			813	690635	Clamp			
			851	493880	Terminal-Sparkplug			

★ Included in Engine Gasket Set-Ref. No. 358.
 ● Included in Carburetor Overhaul Kit-Ref. No. 121.

⊗ Included in Valve Gasket Set-Ref. No. 1095.
 ♦ Included in Carburetor Gasket Set-Ref. No. 977.

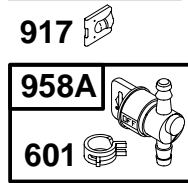
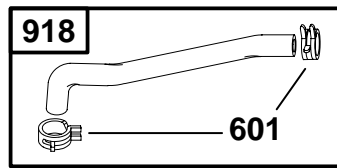
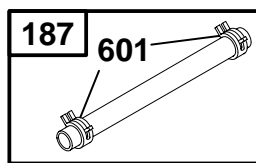
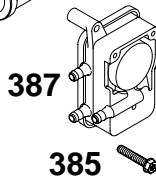
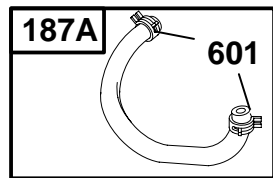
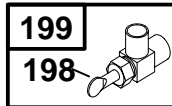
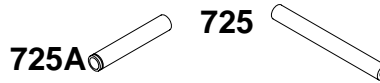
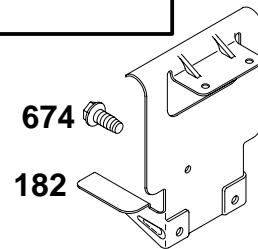
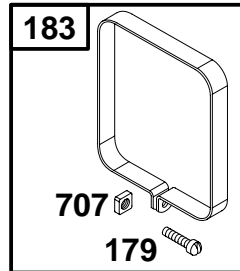
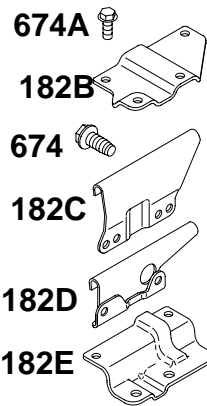
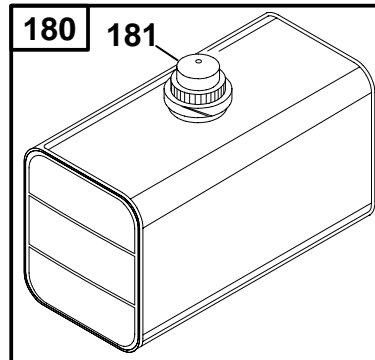
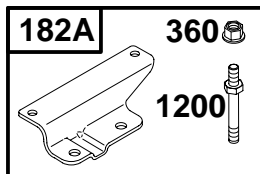
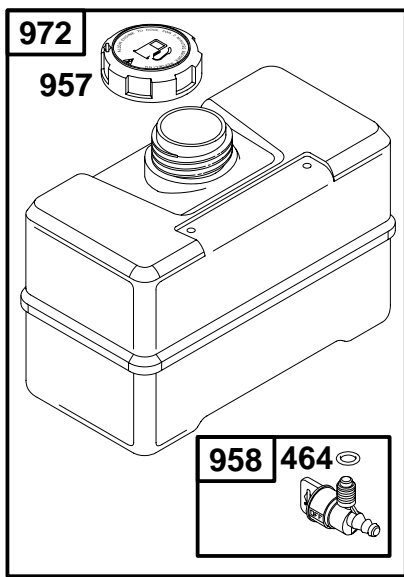


REF. NO.	PART NO.	DESCRIPTION	REF. NO.	PART NO.	DESCRIPTION	REF. NO.	PART NO.	DESCRIPTION
338	690270	Gasket-Dipstick	636	92278	Nut (Starting Switch)	898	691077	Washer (OIL GARD® Kit)
428	90576	Nut (OIL GARD® Kit)	641	691075	Washer (Starting Switch)	945	223159	Bracket-Starter Motor
441	690501	Bracket-Oil Fill	641A	690282	Washer (Starting Switch)	978	★273326	Gasket-Oil Gard®
449	691130	Screw (Oil Fill Bracket)	775	690315	Nut (Toggle Switch)	980	496605	Kit-Oil Gard®
478	395410	Panel	795	496590	Switch-Toggle	982A	690350	Screw (OIL GARD® Kit)
523	297357	Dipstick	840	395408	Kit-Panel	1113	93415	Screw (Panel)
523A	691386	Dipstick	842	★270920	O-Ring Seal (Dipstick/Tube)	1113A	94929	Screw (Panel)
524	★281370	Seal-Dipstick Tube	847	493955	Dipstick/Tube Assembly	1142	690323	Screw (Starter Motor Bracket)
525	91258	Tube-Dipstick	847A	399901	Dipstick/Tube Assembly	1142A	692329	Screw (Starter Motor Bracket)
525A	691257	Tube-Dipstick						
525B	691389	Tube-Dipstick						
575	299139	Switch-Starting						
577	690630	Cable-Starter						
578	690647	Wire Assembly						

★ Included in Engine Gasket Set-Ref. No. 358.
● Included in Carburetor Overhaul Kit-Ref. No. 121.

∅ Included in Valve Gasket Set-Ref. No. 1095.
◆ Included in Carburetor Gasket Set-Ref. No. 977.

196400 to 196499



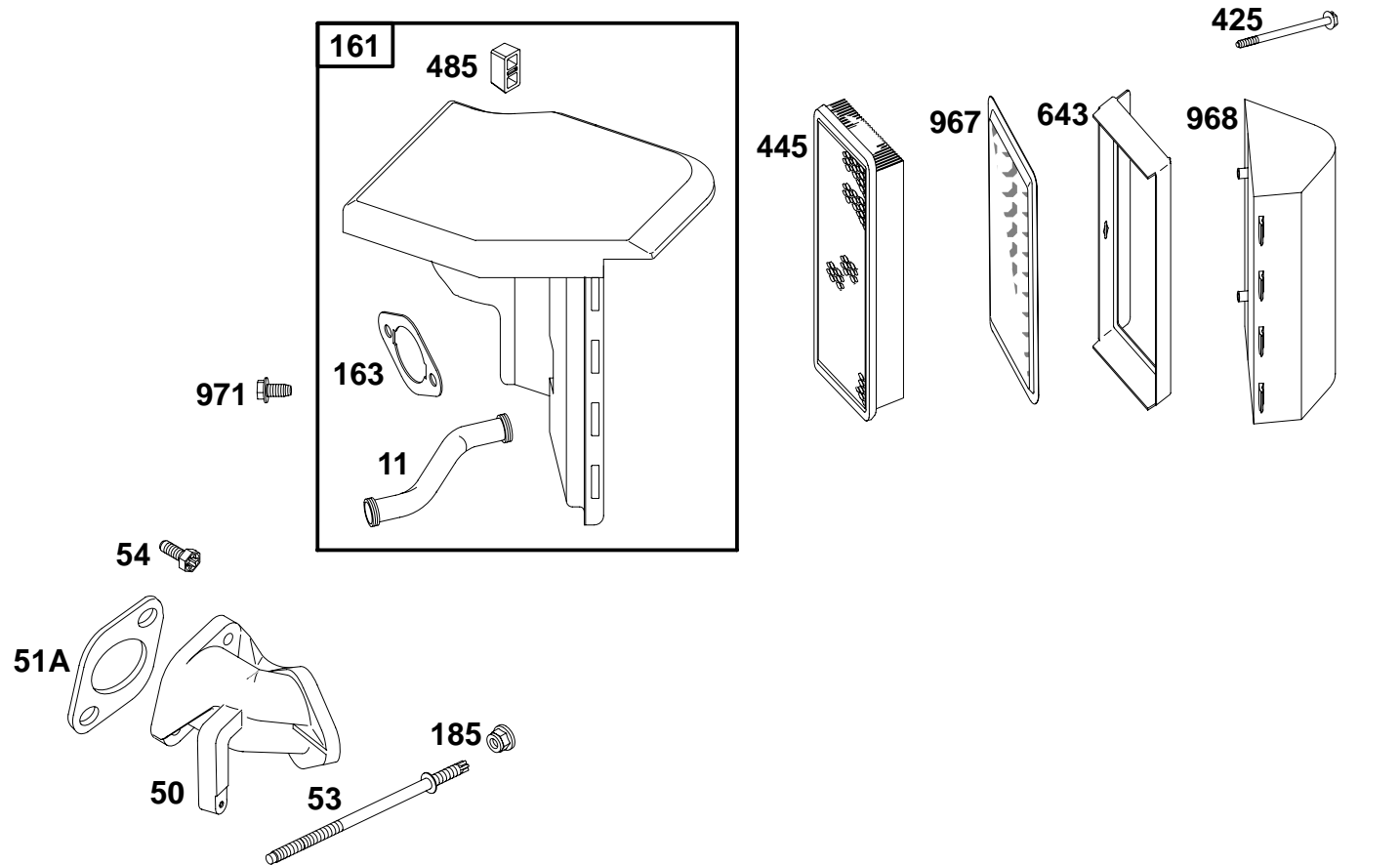
REF. NO.	PART NO.	DESCRIPTION	REF. NO.	PART NO.	DESCRIPTION	REF. NO.	PART NO.	DESCRIPTION
179	690280	Screw (Fuel Tank Strap)	198	293934	Valve—Fuel Shut Off	707	690279	Nut (Fuel Tank Strap)
180	291488	Tank—Fuel (Metal)(6qt.)	199	297563	Valve—Fuel Shut Off	725	280866	Shield—Heat
181	392305	Cap—Fuel Tank	240	394358	Fuel Filter	725A	690403	Shield—Heat
182	691174	Bracket—Fuel Tank	Note ———			Used on Type No(s). 0160, 0174, 1235.		
182A	495664	Bracket—Fuel Tank	240A	493629	Filter—Fuel			
182B	691199	Bracket—Fuel Tank	Used on Type No(s). 0140, 1240.			918	497457	Hose—Vacuum
182C	694592	Bracket—Fuel Tank (Used After Code Date 99091900).				360	691105	Nut (Fuel Tank Bracket)
Note ———			385	94789	Screw (Fuel Pump)	958	399517	Valve—Fuel Shut Off
182D	690486	Bracket—Fuel Tank	387	496257	Pump—Fuel	958A	494768	Valve—Fuel Shut Off
182E	695451	Bracket—Fuel Tank Used on Type No(s). 1237	464	280203	O-Ring Seal (Fuel Shut-Off Valve)	972	493337	Tank—Fuel (Plastic, 4 qt.)
183	291490	Strap—Fuel Tank	601	95162	Clamp—Hose	Note ———		
186	230318	Connector—Hose	674	94627	Screw (Fuel Tank Bracket to Cylinder)	695164	Tank—Fuel (Plastic, 6 qt.)	
187	296004	Line—Fuel (Cut to Required Length)	674A	690708	Screw (Fuel Tank Bracket to Fuel Tank)	1200	94926	Stud (Fuel Tank Bracket)
187A	497029	Line—Fuel (Molded)						

★ Included in Engine Gasket Set—Ref. No. 358.

● Included in Carburetor Overhaul Kit—Ref. No. 121.

⊗ Included in Valve Gasket Set—Ref. No. 1095.

◆ Included in Carburetor Gasket Set—Ref. No. 977.

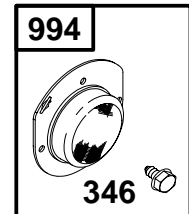
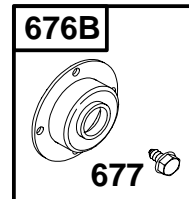
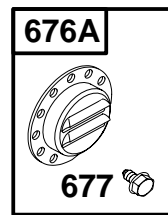
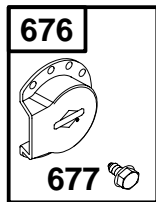
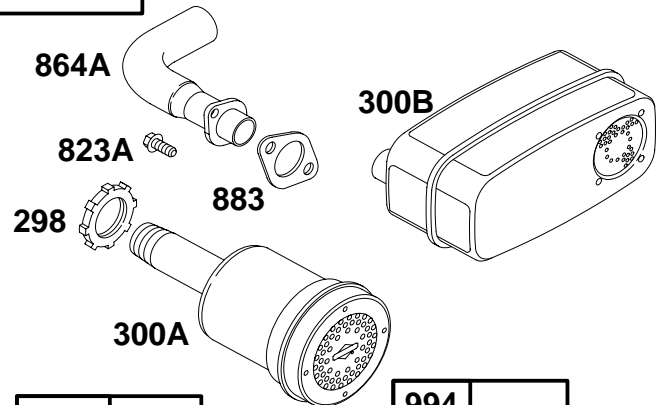
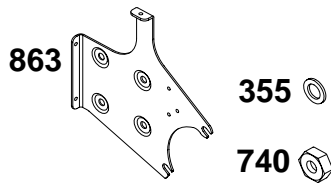
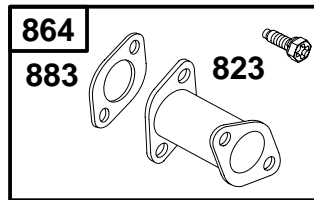
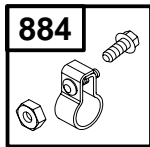
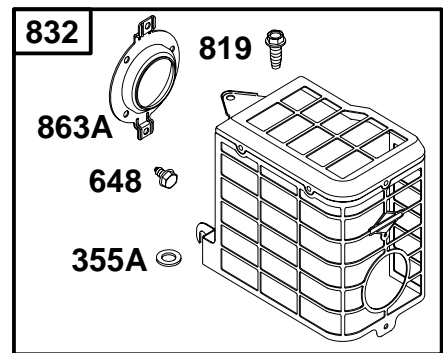
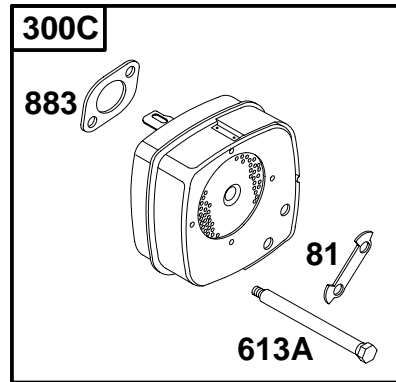
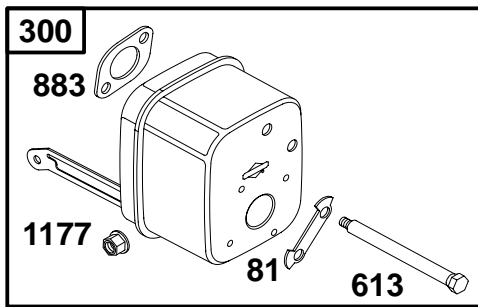


REF. NO.	PART NO.	DESCRIPTION	REF. NO.	PART NO.	DESCRIPTION	REF. NO.	PART NO.	DESCRIPTION
11	280819	Tube-Breather (Used After Code Date 95040200).	161	497669	Base-Air Cleaner (Used After Code Date 95010100).	425	94777	Screw (Air Cleaner Cover)
50	691157	Manifold-Intake	Note			445	496077	Filter-Air Cleaner Cartridge
51A	∅★272707	Gasket-Intake	498544 Base-Air Cleaner (Used Before Code Date 95010200).			485	280715	Knob-Control
53	94778	Stud (Carburetor)				643	281358	Retainer-Air Filter
54	93208	Screw (Intake Manifold)	163	∅★273101	Gasket-Air Cleaner	967	492889	Filter-Pre Cleaner
			185	94010	Nut (Air Cleaner Base)	968	281357	Cover-Air Cleaner
						971	94930	Screw (Air Cleaner Base)

★ Included in Engine Gasket Set-Ref. No. 358.
● Included in Carburetor Overhaul Kit-Ref. No. 121.

∅ Included in Valve Gasket Set-Ref. No. 1095.
◆ Included in Carburetor Gasket Set-Ref. No. 977.

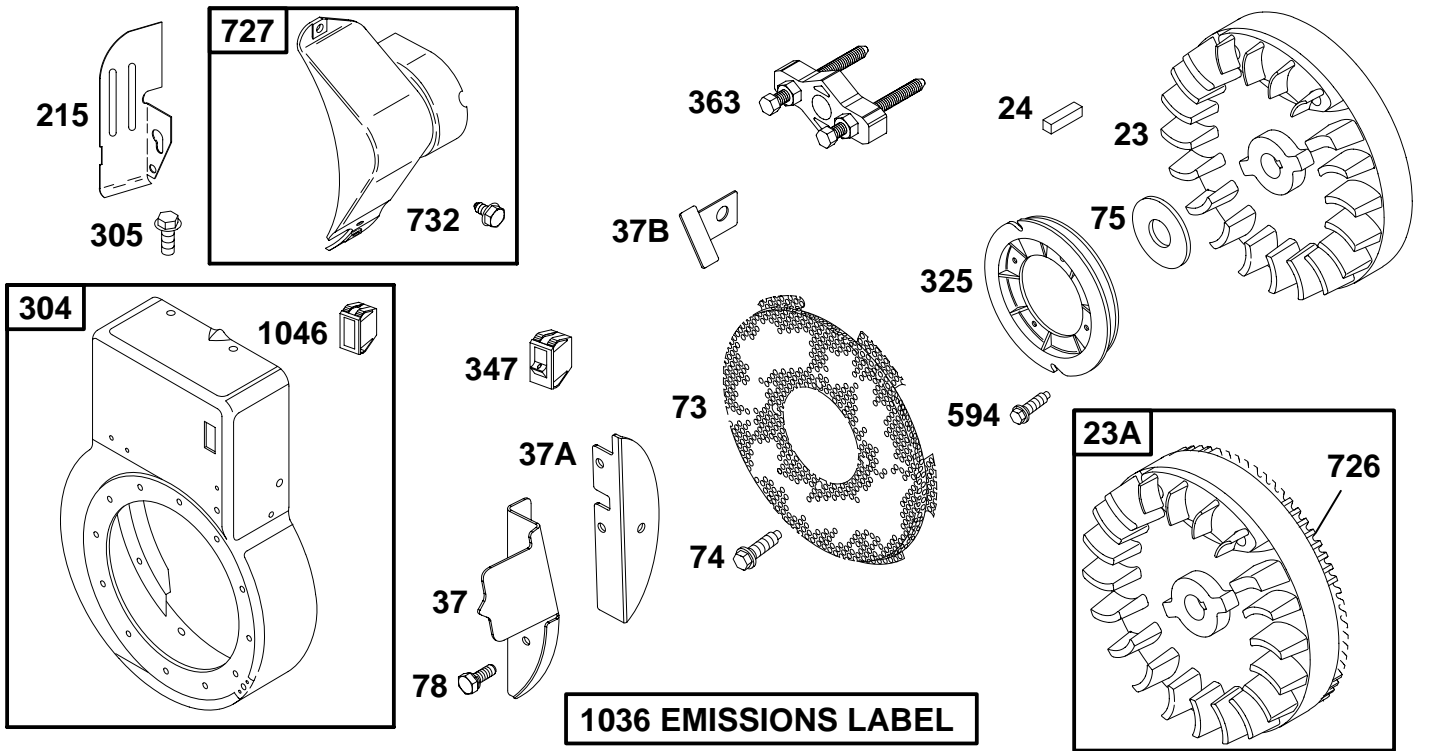
196400 to 196499



REF. NO.	PART NO.	DESCRIPTION	REF. NO.	PART NO.	DESCRIPTION	REF. NO.	PART NO.	DESCRIPTION
81	222263	Lock-Muffler Screw	613A	94042	Screw (Lo-Tone Muffler)	740	691105	Nut (Muffler Bracket)
298	261409	Locknut-Muffler/Elbow	648	94896	Screw (Muffler Guard Bracket)	819	94786	Screw (Muffler Bracket)
300	497141	Muffler (Super Lo-Tone)	676	393757	Deflector-Muffler (Side Out)	823	94706	Screw (Muffler Adapter)
300A	496127	Muffler (Round Lo-Tone)			Note	823A	94905	Screw (Muffler Adapter)
300B	498984	Muffler (25 Super Lo-Tone)			393761 Deflector-Muffler	832	691447	Guard-Muffler
300C	391370	Muffler (Lo-Tone)			Used on Type No(s). 0073, 0120, 1073.	863	690454	Bracket-Muffler
346	94896	Screw (Spark Arrester)	676A	393758	Deflector-Muffler (Louvered)	863A	691228	Bracket-Muffler
355	690310	Washer (Muffler Bracket)	676B	395700	Deflector-Muffler (Direct Out)	864	497140	Adapter-Muffler
355A	691113	Washer (Muffler Bracket)	677	94896	Screw (Muffler Deflector)	864A	690797	Adapter-Muffler
613	94054	Screw (Super Lo-Tone Muffler)				883	Ø*272309	Gasket-Exhaust
						884	392649	Clamp-Muffler
						994	399541	Arrestor-Spark
						1177	691105	Nut (Muffler)

★ Included in Engine Gasket Set-Ref. No. 358.
● Included in Carburetor Overhaul Kit-Ref. No. 121.

⊗ Included in Valve Gasket Set-Ref. No. 1095.
◆ Included in Carburetor Gasket Set-Ref. No. 977.



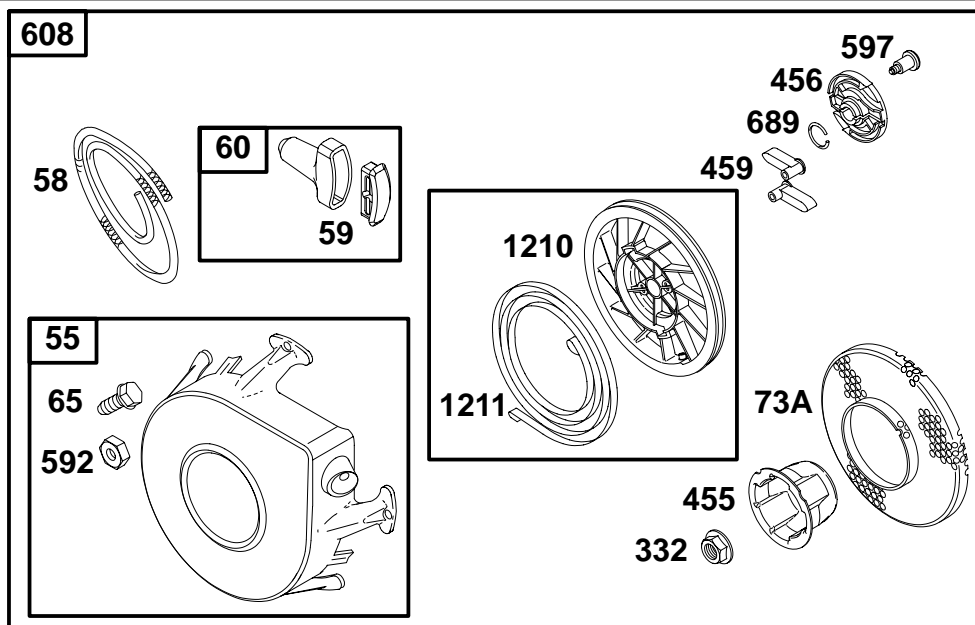
1036 EMISSIONS LABEL

REF. NO.	PART NO.	DESCRIPTION	REF. NO.	PART NO.	DESCRIPTION	REF. NO.	PART NO.	DESCRIPTION
23	690615	Flywheel (Rewind Start)	304	497142	Housing-Blower	732	691097	Screw (Starter Drive Cover)
23A	691354	Flywheel (Electric Start)			Note	1036	695696	Label-Emissions (Used After Code Date 00063000).
24	222698	Key-Flywheel			Used on Type No(s).			Note
37	690411	Guard-Flywheel			0008, 0010, 0030,			694988 Label-Emissions
37A	690490	Guard-Flywheel Used on Type No(s).			0039, 0041, 0042,			(Used After Code Date 99093000 and Before Code Date 00070100).
					0048, 0057, 0114,			694313 Label-Emissions
					0127, 0133, 0140,			(Used Before Code Date 99100100 and After Code Date 98123100).
					0143, 0148, 0149,			499354 Label-Emissions
					0164, 0166, 0170,			(Used Before Code Date 97052600).
37B	690488	Guard-Flywheel			0172, 0175, 0176,			
73	224874	Screen-Rotating			0667, 0675, 0685,			
74	93758	Screw (Rotating Screen)			1030, 1033, 1041,			
75	225136	Washer (Flywheel)			1042, 1080, 1133,			
78	690364	Screw (Flywheel Guard)			1041, 1164, 1167,			
215	691170	Guide-Air			1172, 1175, 1232,			
					1236, 1237, 1240.			
			305	94786	Screw (Blower Housing)			
			325	280457	Pulley-Rope Starter			
			347	495098	Switch-Rocker			
			363	19203	Flywheel Puller			
			594	94928	Screw (Rope Starter Pulley)			
			726	399676	Gear-Ring			
			727	395405	Cover-Starter Drive			
						1046	691337	Plug-Blower Housing

★ Included in Engine Gasket Set-Ref. No. 358.
● Included in Carburetor Overhaul Kit-Ref. No. 121.

⊗ Included in Valve Gasket Set-Ref. No. 1095.
◆ Included in Carburetor Gasket Set-Ref. No. 977.

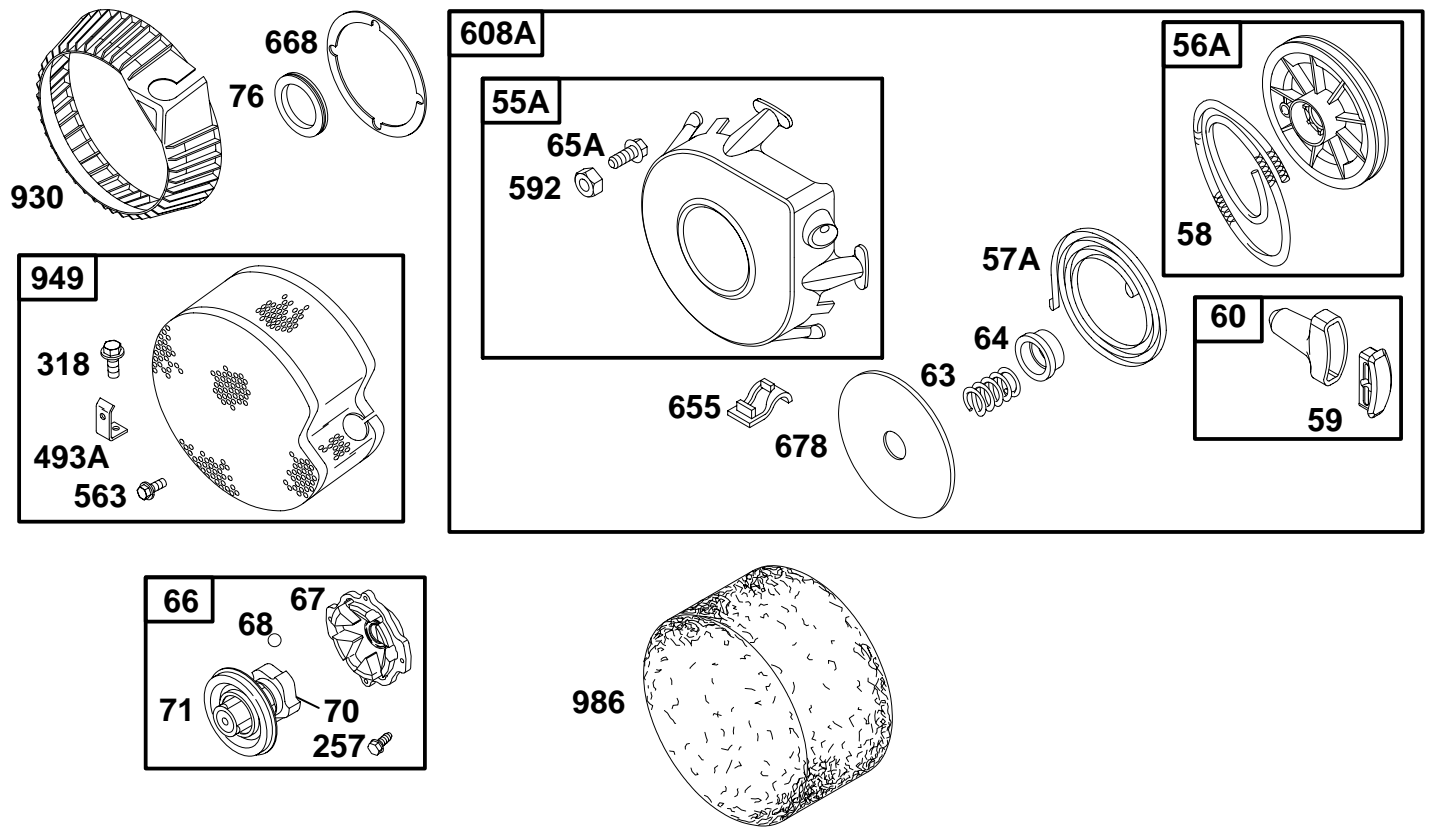
196400 to 196499



REF. NO.	PART NO.	DESCRIPTION	REF. NO.	PART NO.	DESCRIPTION	REF. NO.	PART NO.	DESCRIPTION
55	693904	Housing—Rewind Starter (Used After Code Date 99022800).	332	693899	Nut (Flywheel) (Used After Code Date 99022800).	597	94943	Screw (Pawl Friction Plate) (Used After Code Date 99022800).
58	66884	Rope—Starter (63" Cut to Required Length)	455	693902	Cup—Flywheel (Used After Code Date 99022800).	608	693900	Starter—Rewind (63" Length Rope) (Used After Code Date 99022800).
58A	66894	Rope—Starter (99" Cut to Required Length)	455A	694017	Cup—Flywheel (Used with 99" Rope) (Used After Code Date 99022800).	689	263073	Spring—Friction (Used After Code Date 99022800).
59	490653	Insert—Grip	456	281503	Plate—Pawl Friction (Used After Code Date 99022800).	1210	498144	Pulley/Spring Assembly (Pulley) (Used After Code Date 99022800).
60	490652	Grip—Starter Rope	459	281505	Pawl—Ratchet (Used After Code Date 99022800).	1211	498144	Pulley/Spring Assembly (Spring) (Used After Code Date 99022800).
65	94686	Screw (Rewind Starter)	592	94908	Nut (Starter Rewind)			
73A	693905	Screen—Rotating (Used After Code Date 99022800).						
73B	694020	Screen—Rotating (Used with 99" Rope) (Used After Code Date 99022800).						

★ Included in Engine Gasket Set—Ref. No. 358.
● Included in Carburetor Overhaul Kit—Ref. No. 121.

⊗ Included in Valve Gasket Set—Ref. No. 1095.
◆ Included in Carburetor Gasket Set—Ref. No. 977.

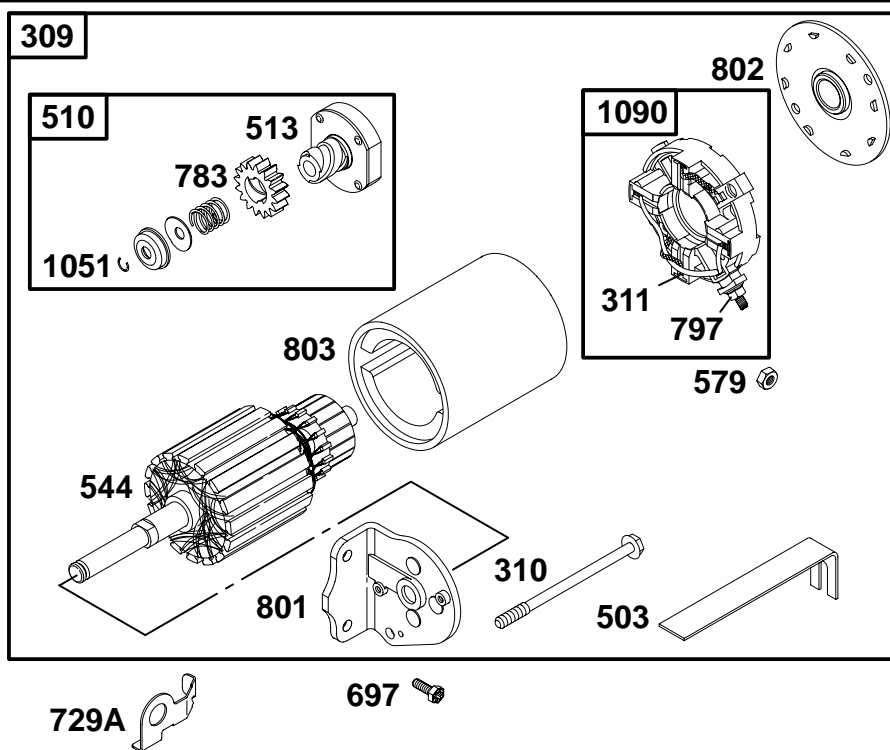


REF. NO.	PART NO.	DESCRIPTION	REF. NO.	PART NO.	DESCRIPTION	REF. NO.	PART NO.	DESCRIPTION
55A	393576	Housing—Rewind Starter (Used Before Code Date 99030100).	66	399671	Clutch—Starter (Used Before Code Date 99030100).	493A	692825	Bracket—Mounting
56A	295871	Pulley—Starter (Used Before Code Date 99030100).	67	394897	Housing—Clutch (Used Before Code Date 99030100).	563	690370	Screw (Debris Screen)
57A	490179	Spring—Rewind Starter (Used Before Code Date 99030100).	68	63770	Ball—Clutch (Used Before Code Date 99030100).	592	94908	Nut (Rewind Starter)
58	66884	Rope—Starter (63" Cut to Required Length)	70	298799	Ratchet—Clutch (Used Before Code Date 99030100).	608A	390391	Starter—Rewind (Used Before Code Date 99030100).
59	490653	Insert—Grip	71	691359	Cover—Ratchet (Used Before Code Date 99030100).	655	222598	Anchor—Rewind Spring (Used Before Code Date 99030100).
60	490652	Grip—Starter Rope	76	68238	Seal—Ratchet (Used Before Code Date 99030100).	668	690500	Spacer (Used Before Code Date 99030100).
63	260414	Spring—Ratchet (Used Before Code Date 99030100).	257	94680	Screw (Used Before Code Date 99030100).	678	490817	Spacer—Rewind (Used Before Code Date 99030100).
64	281204	Adapter—Ratchet Spring (Used Before Code Date 99030100).	318	93067	Screw (Mounting Bracket)	930	280685	Guard—Rewind
65A	94904	Screw (Rewind Starter)				949	397530	Screen—Debris
						986	271735	Filter—Debris

★ Included in Engine Gasket Set—Ref. No. 358.
● Included in Carburetor Overhaul Kit—Ref. No. 121.

⊗ Included in Valve Gasket Set—Ref. No. 1095.
◆ Included in Carburetor Gasket Set—Ref. No. 977.

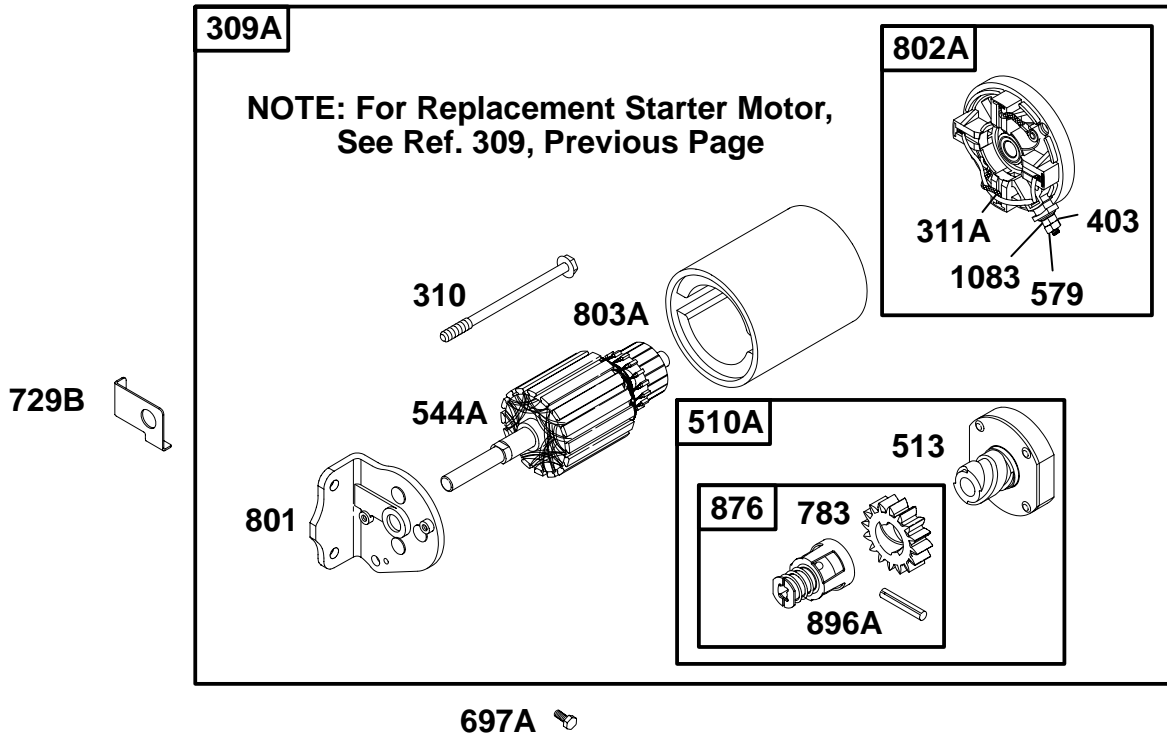
196400 to 196499



REF. NO.	PART NO.	DESCRIPTION	REF. NO.	PART NO.	DESCRIPTION	REF. NO.	PART NO.	DESCRIPTION
309	693054	Motor-Starter	544	497603	Armature-Starter	797	693167	Nut (Brush Retainer)
310	690323	Bolt (Starter Motor)	579	92278	Nut (Starter Cable)	801	394856	Cap-Drive
311	497608	Brush Set	697	690372	Screw (Drive Cap)	802	497607	Cap-End
503	691532	Strap-Starter	729A	691224	Clip-Wire	803	693757	Housing-Starter
510	497606	Drive-Starter	783	693059	Gear-Pinion	1051	263080	Ring-Retaining
513	398003	Clutch-Drive				1090	497605	Retainer-Brush

★ Included in Engine Gasket Set-Ref. No. 358.
● Included in Carburetor Overhaul Kit-Ref. No. 121.

⊘ Included in Valve Gasket Set-Ref. No. 1095.
◆ Included in Carburetor Gasket Set-Ref. No. 977.

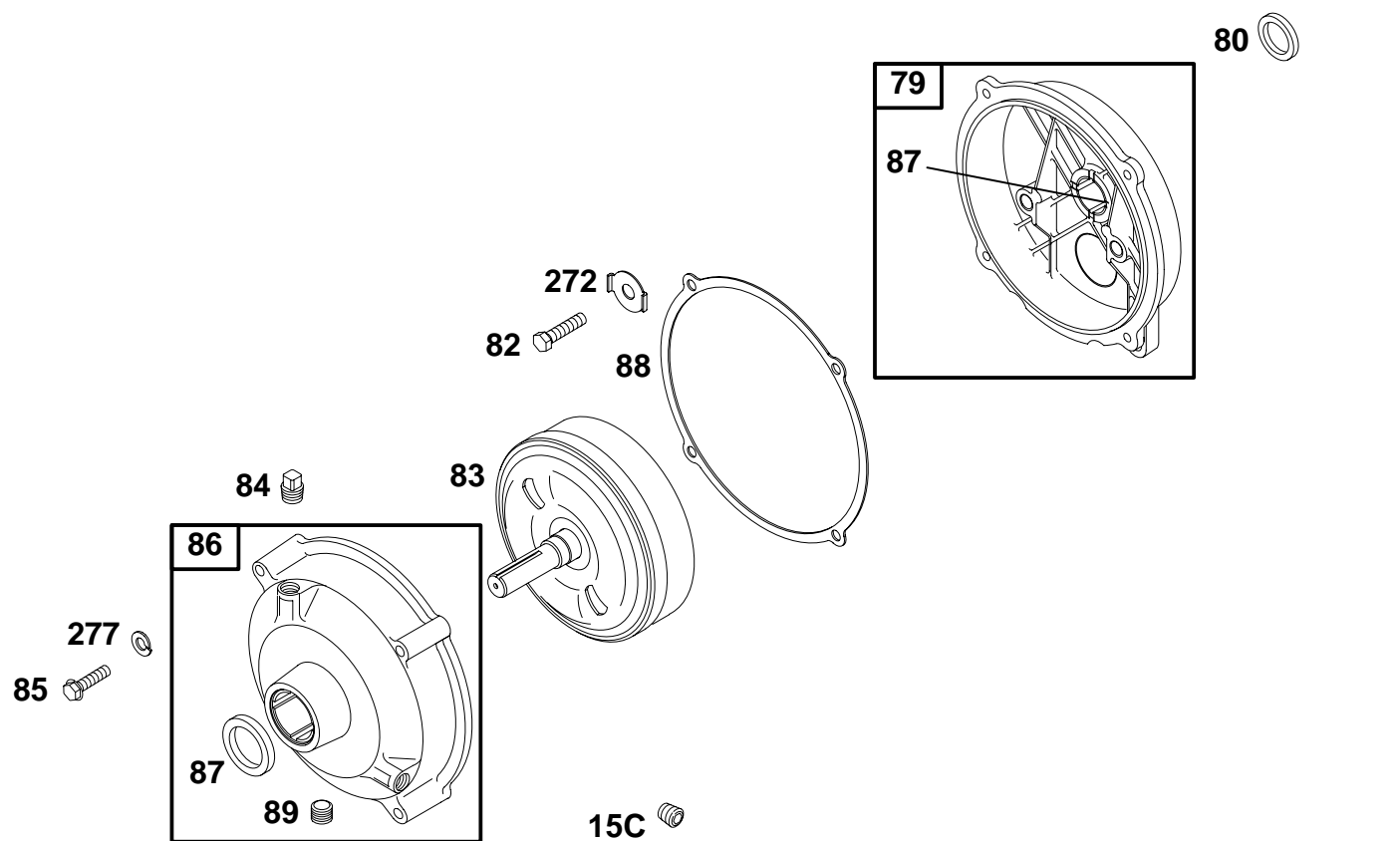


REF. NO.	PART NO.	DESCRIPTION	REF. NO.	PART NO.	DESCRIPTION	REF. NO.	PART NO.	DESCRIPTION
309A		Motor-Starter (For Replacement Starter Motor, See Ref 309)	403	690288	Washer (End Cap)	783	693059	Gear-Pinion
310	690323	Bolt (Starter Motor 3 5/8 Housing Length)	510A	495878	Drive-Starter	801	691429	Cap-Drive
311A	395538	Brush Set (3 5/8 Housing Length)	513	398003	Clutch-Drive	802A	395537	Cap-End (3 5/8 Housing Length)
			544A	390837	Armature-Starter (3 5/8 Housing Length)	803A	398159	Housing-Starter (3 5/8 Housing Length)
			579	93715	Nut (Starter Cable)	876	495877	Kit-Pinion Spring
			697A	94627	Screw (Drive Cap)	896A	94288	Pin-Drive Retainer
			729B	224723	Clip-Wire	1083A	94010	Nut (End Cap)

★ Included in Engine Gasket Set-Ref. No. 358.
● Included in Carburetor Overhaul Kit-Ref. No. 121.

⊗ Included in Valve Gasket Set-Ref. No. 1095.
◆ Included in Carburetor Gasket Set-Ref. No. 977.

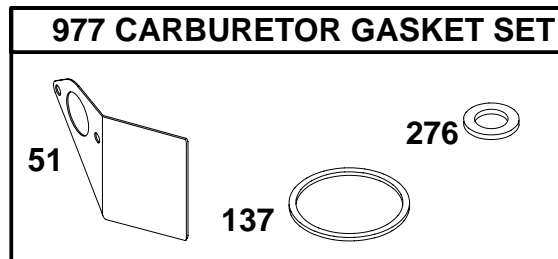
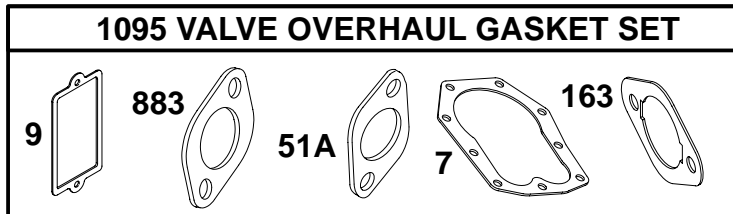
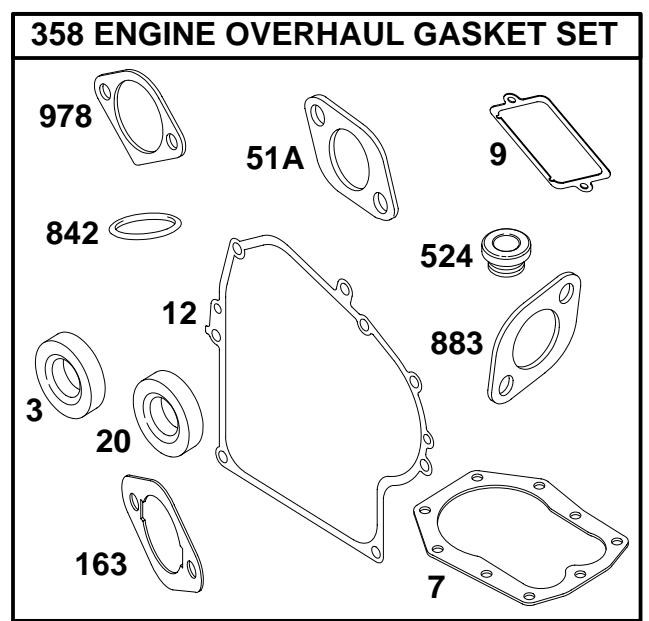
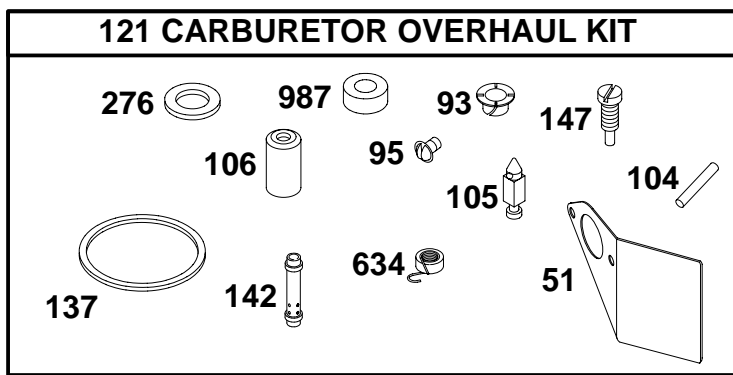
196400 to 196499



REF. NO.	PART NO.	DESCRIPTION	REF. NO.	PART NO.	DESCRIPTION	REF. NO.	PART NO.	DESCRIPTION
15C	691682	Plug—Oil Drain	85	691076	Screw (Gear Cover to Gear Reduction)	88	27328	Gasket—Gear Reduction Cover
79	690614	Case—Gear Reduction	86	690613	Cover—Gear	89	690283	Plug—Oil
80	27884	Gasket—Gear Case	87	391086	Seal—Gear Reduction	272	691168	Lock—Screw Head
82	690287	Screw (Gear Reduction Case)				277	691075	Washer (Gear Case to Gear Reduction)
83	690387	Shaft—Auxiliary Drive						
84	691121	Plug—Breather						

★ Included in Engine Gasket Set—Ref. No. 358.
 ● Included in Carburetor Overhaul Kit—Ref. No. 121.

⊗ Included in Valve Gasket Set—Ref. No. 1095.
 ◆ Included in Carburetor Gasket Set—Ref. No. 977.



REF. NO.	PART NO.	DESCRIPTION	REF. NO.	PART NO.	DESCRIPTION	REF. NO.	PART NO.	DESCRIPTION
3	★391086	Seal—Oil (Magneto Side)	93	●690602	Bushing—Throttle Shaft	147	●497472	Jet—Pilot (LMT 69, 103, 115)
7	∅★272163	Gasket—Cylinder Head	95	●94098	Screw (Throttle Valve)	163	∅★273101	Gasket—Air Cleaner
9	∅★27803	Gasket—Breather	104	●690525	Pin—Float Hinge	276	●★281164	Washer—Sealing
12	★271701	Gasket—Crankcase (.015 Standard)	105	●231935	Valve—Float Needle	358	497070	Gasket Set—Engine
		Note	106	●231856	Seat—Inlet	524	★281370	Seal—Dipstick Tube
		★27876	121	497578	Kit—Carburetor Overhaul	634	●690802	Spring/Seal Assembly
		Gasket—Crankcase (.005)				842	★270920	O—Ring Seal (Dipstick/Tube)
		★27877	137	●★281165	Gasket—Float Bowl	883	∅★272309	Gasket—Exhaust
		Gasket—Crankcase (.009)	142	●499094	Nozzle—Carburetor (Standard, LMT 171)	977	497069	Gasket Set—Carburetor
20	★391086	Seal—Oil (PTO Side)			Note	978	★273326	Gasket—Oil Gard®
51	●★272708	Gasket—Intake			●497196	987	●691326	Seal—Throttle Shaft
51A	∅★272707	Gasket—Intake			Nozzle—Carburetor (Standard, LMT 69, 103, 115)	1095	498534	Gasket Set—Valve

★ Included in Engine Gasket Set—Ref. No. 358.
● Included in Carburetor Overhaul Kit—Ref. No. 121.

∅ Included in Valve Gasket Set—Ref. No. 1095.
◆ Included in Carburetor Gasket Set—Ref. No. 977.