

# 194700 to 194799

## Illustrated Parts List Model Series 194700 to 194799

### TYPE NUMBERS

0101, 0102,  
0113 through 0118,  
0120 through 0127,  
0401 through 0427,  
4004 through 4019,  
4025, 4026, 4028,  
4515, 4517, 4518,  
4519, 4525, 4526,  
4528.

### TO FIND

#### THE CORRECT NUMBER OF THE PART YOU NEED: FOLLOW THE INSTRUCTIONS BELOW

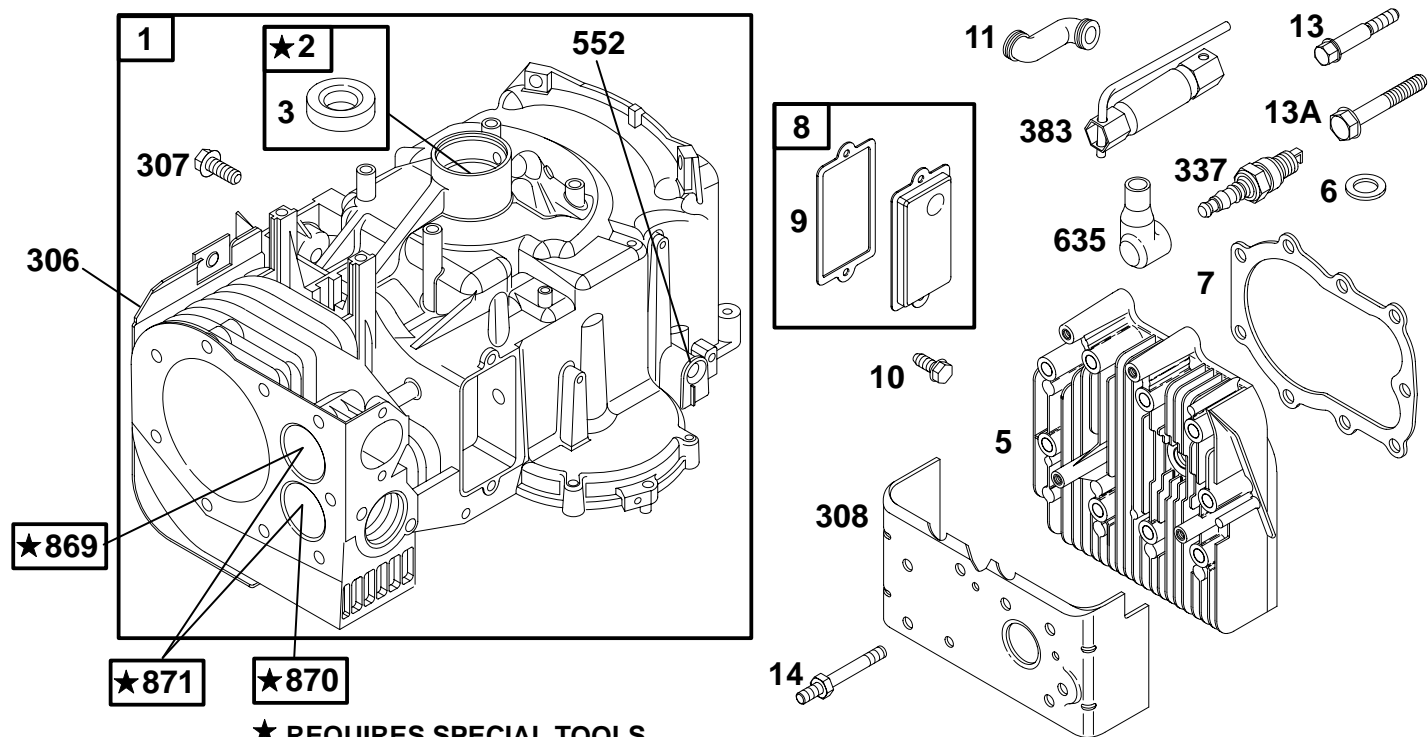
- A. Refer to Engine Model, Type and Code Number that is stamped on the blower housing of engine. Engine type numbers such as 0123 01 are listed only as 0123 in most instances. The two digits (01 or 02, etc.) to the right of the space may be required for more accurate parts identification in some instances. Select the Illustrated Parts List covering the correct Model Series and Type Number.
- B. Refer to the Illustrations and compare the original part with Illustration. The number next to the illustration is the Reference Number. Assemblies include all parts shown in frames. All parts shown in assembly frames having individual reference numbers can be purchased separately.
- C. After the Reference Number has been identified, refer to the Numerical text, where Reference and Primary Part Number are listed. **THE PRIMARY PART IS USED ON ALL TYPE NUMBERS EXCEPT THOSE TYPE NUMBERS UNDER "NOTE."**
- D. If a "Note" appears below the Primary Part Number, it means that this part differs from the Primary Part for certain types. If your Type number is listed under "Note," order the part referred to at the "Note."
- E. If your Engine Type Number does not appear after any part number listed under "Note," use the Primary Part Number.
- F. For Engine Type Numbers not covered by this book, check other Parts Lists having the same engine model or contact your source of supply.

PRINTED IN U.S.A.



COPYRIGHT by BRIGGS & STRATTON CORPORATION  
All rights reserved. No part of this material may be reproduced or transmitted, in any form or by any means, electronic or mechanical, including photocopying, recording or by any information storage and retrieval system, without permission in writing from Briggs & Stratton Corporation.

# 194700 to 194799



★ **REQUIRES SPECIAL TOOLS TO INSTALL. SEE REPAIR INSTRUCTION MANUAL.**

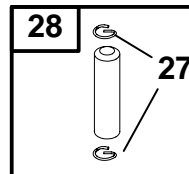
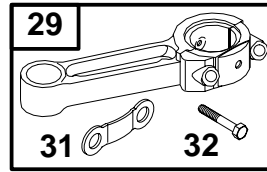
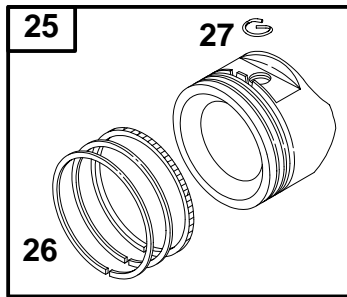
**1019 LABEL KIT**

**1058 OWNER'S MANUAL**

REF. NO.	PART NO.	DESCRIPTION	REF. NO.	PART NO.	DESCRIPTION	REF. NO.	PART NO.	DESCRIPTION
1	495623	Cylinder Assembly (Used After Code Date 92070500). <b>Note</b> 495725 Cylinder Assembly (Used Before Code Date 92070600).	5	214015	Head-Cylinder	306	496797	Shield-Cylinder
2	495657	Kit-Bushing/Seal (Magneto Side) (Used After Code Date 92070500). <b>Note</b> 399266 Kit-Bushing/Seal (Magneto Side) (Used Before Code Date 92070600).	6	691261	Washer (Cylinder Head) (Used on Type No(s). 0121, 4028).	307	94930	Screw (Cylinder Shield)
3	★391086	Seal-Oil (Magneto Side) (Used After Code Date 92070500). <b>Note</b> ★294606 Seal-Oil (Magneto Side) (Used Before Code Date 92070600).	7	★272163	Gasket-Cylinder Head	308	691201	Cover-Cylinder Head
			8	495735	Breather Assembly	337	802592	Sparkplug
			9	★27803	Gasket-Breather	383	89838	Wrench-Sparkplug
			10	691666	Screw (Breather Assembly)	552	491986	Bushing-Governor Crank
			11	280005	Tube-Breather	635	66538	Boot-Sparkplug
			13	94565	Screw (Cylinder Head 2 5/8" Long)	869	211661	Seat-Valve (Intake)
			13A	94622	Screw (Cylinder Head 2 15/15" Long)	870	262924	Seat-Valve (Exhaust)
			14	94926	Stud (Cylinder Head 2 1/2" Long) <b>Note</b> 691109 Stud (Cylinder Head 3" Long)	871	261961	Bushing-Valve Guide
						1019	491182	Kit-Label
						1058	274787	Owner's Manual (Emission Engines) <b>Note</b> 270676 Owner's Manual (Non Emission Engines)

★ Included in Engine Gasket Set-Ref. No.358.  
● Included in Carburetor Overhaul Kit-Ref. No. 121.

◆ Included in Carburetor Gasket Set-Ref. No. 977.  
∅ Included in Valve Gasket Set-Ref. No 1095.

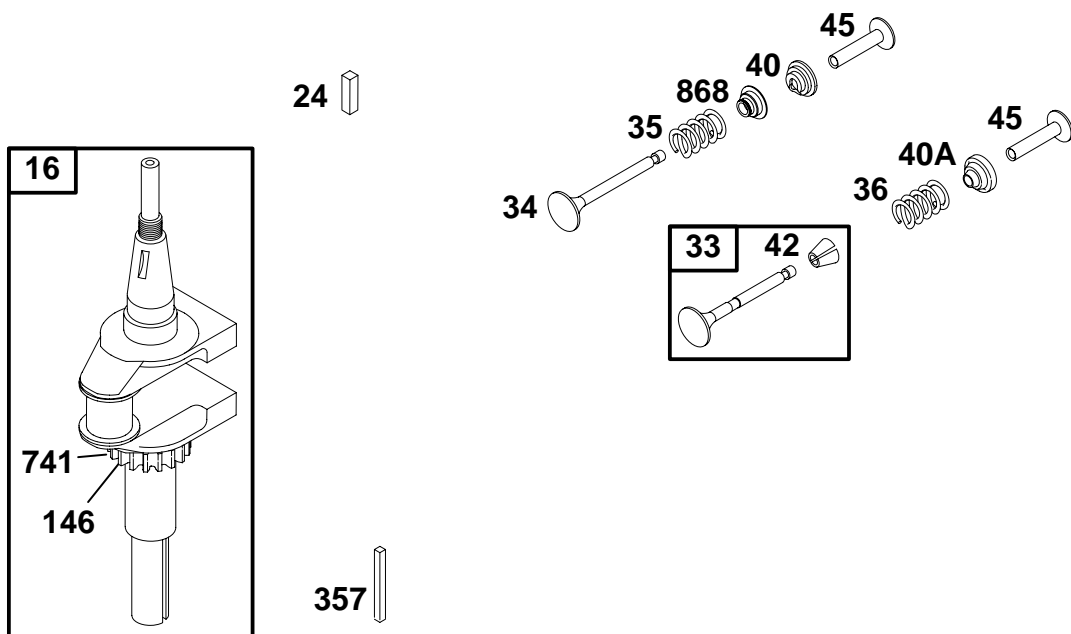


REF. NO.	PART NO.	DESCRIPTION	REF. NO.	PART NO.	DESCRIPTION	REF. NO.	PART NO.	DESCRIPTION
<b>25</b>	<b>391673</b>	Piston Assembly (Standard) —— <b>Note</b> —— <b>391674</b> Piston Assembly (.010" O.S.) <b>391675</b> Piston Assembly (.020" O.S.) <b>391676</b> Piston Assembly (.030" O.S.)	<b>26</b>	<b>391669</b>	Ring Set (Standard) —— <b>Note</b> —— <b>299743</b> Ring Set (Standard, Chrome) <b>391670</b> Ring Set (.010" O.S.) <b>391671</b> Ring Set (.020" O.S.) <b>690020</b> Ring Set (.030" O.S.)	<b>28</b>	<b>295840</b>	Pin-Piston (Standard) —— <b>Note</b> —— <b>295841</b> Pin-Piston (.005" O.S.)
			<b>27</b>	<b>263181</b>	Lock-Piston Pin	<b>29</b>	<b>390402</b>	Rod-Connecting (Standard) —— <b>Note</b> —— <b>390773</b> Rod-Connecting (.020" Undersize)
						<b>31</b>	<b>222114</b>	Lock-Rod Screw
						<b>32</b>	<b>690352</b>	Screw (Connecting Rod)

★ Included in Engine Gasket Set-Ref. No.358.  
● Included in Carburetor Overhaul Kit-Ref. No. 121.

◆ Included in Carburetor Gasket Set-Ref. No. 977.  
⊘ Included in Valve Gasket Set-Ref. No 1095.

# 194700 to 194799

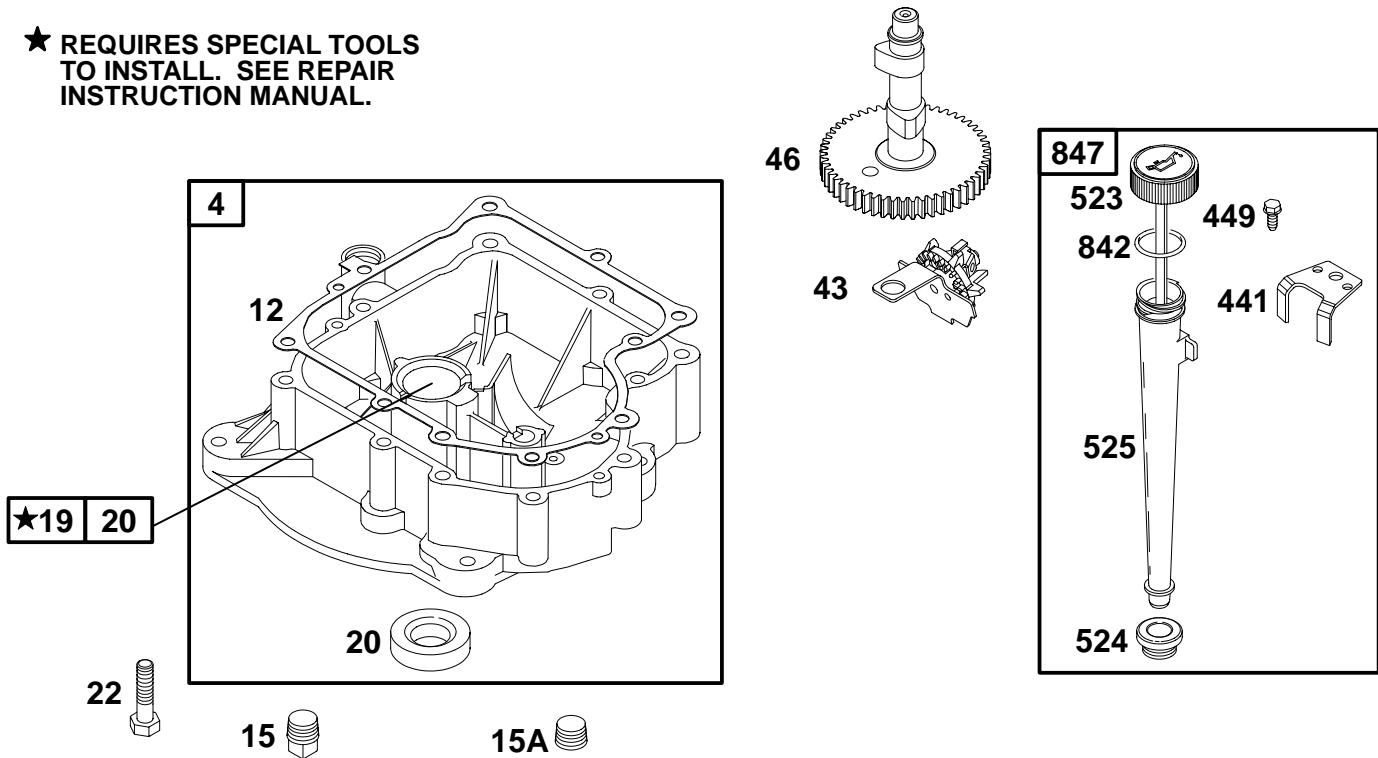


REF. NO.	PART NO.	DESCRIPTION	REF. NO.	PART NO.	DESCRIPTION	REF. NO.	PART NO.	DESCRIPTION
16	690832	Crankshaft (Used After Code Date 92070500). <b>Note</b> — 492450 Crankshaft (Used Before Code Date 92070600). 495637 Crankshaft (Used After Code Date 92070500). Used on Type No(s). 0116, 0117, 0121. 492453 Crankshaft (Used Before Code Date 92070600). Used on Type No(s). 0116, 0117, 0121. 690833 Crankshaft (Used After Code Date 92070500). Used on Type No(s). 4019, 4028, 4519, 4528. 492451 Crankshaft (Used Before Code Date 92070600). Used on Type No(s). 4019.	24	222698	Key—Flywheel	40A	292260	Retainer—Valve (Exhaust)
			33	390420	Valve—Exhaust	42	494553	Keeper—Valve (Exhaust)
			34	261055	Valve—Intake	45	260933	Tappet—Valve
			35	65906	Spring—Valve (Intake)	146	94388	Key—Timing
			36	26828	Spring—Valve (Exhaust)	357	91540	Key—Drive Pulley
			40	221596	Retainer—Valve (Intake)	741	691288	Gear—Timing
						868	497656	Seal—Valve

★ Included in Engine Gasket Set—Ref. No.358.  
● Included in Carburetor Overhaul Kit—Ref. No. 121.

◆ Included in Carburetor Gasket Set—Ref. No. 977.  
⊘ Included in Valve Gasket Set—Ref. No 1095.

★ **REQUIRES SPECIAL TOOLS TO INSTALL. SEE REPAIR INSTRUCTION MANUAL.**

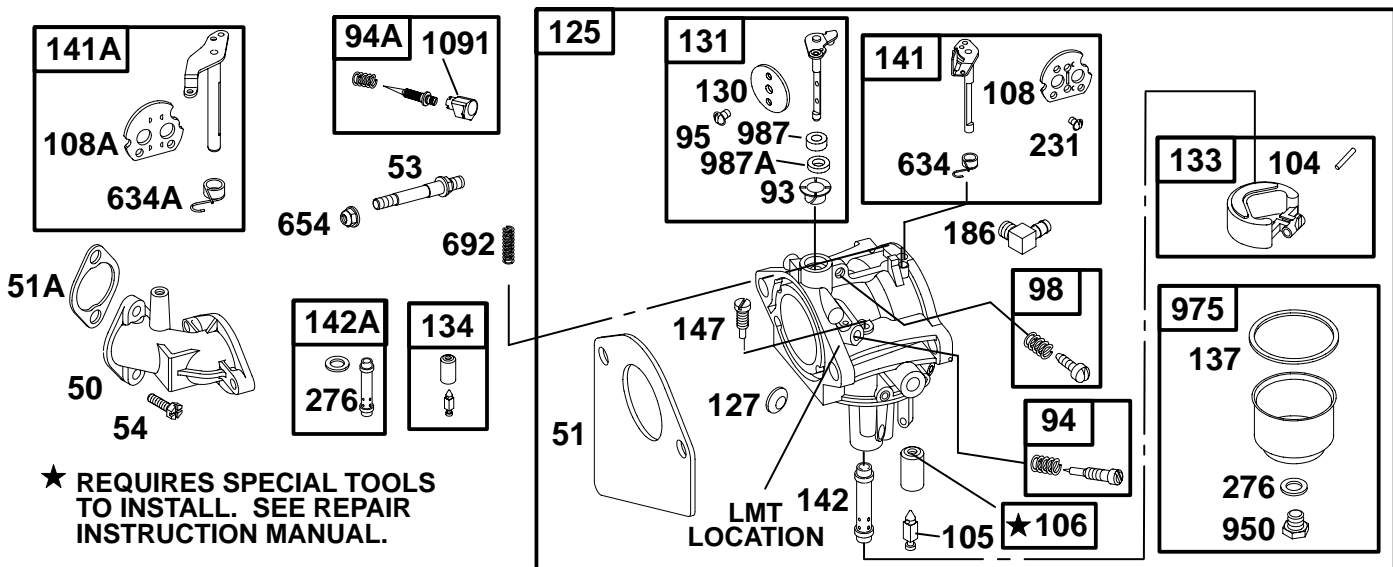


REF. NO.	PART NO.	DESCRIPTION	REF. NO.	PART NO.	DESCRIPTION	REF. NO.	PART NO.	DESCRIPTION
4	392548	Sump—Engine —— <b>Note</b> —— 397305 Sump—Engine Used on Type No(s). 4004.	15	94239	Plug—Oil Drain (Square Head)	449	94874	Screw (Oil Fill Bracket)
12	★271701	Crankcase Gasket (.015" Standard) —— <b>Note</b> —— ★27876 Gasket— Crankcase (.005") ★27877 Gasket— Crankcase (.009")	15A	94880	Plug—Oil Drain (Square Socket Head)	523	691387	Dipstick
			19	295963	Kit—Bushing/Seal (PTO Side)	524	★281370	Seal—Dipstick Tube
			20	★391086	Seal—Oil (PTO Side)	525	497419	Tube—Dipstick
			22	93585	Screw (Engine Sump)	842	★270920	O—Ring Seal
			43	491397	Slinger—Governor/Oil	847	392066	Dipstick/Tube Assembly
			46	214786	Camshaft			
			441	224872	Bracket—Oil Fill			

★ Included in Engine Gasket Set—Ref. No.358.  
● Included in Carburetor Overhaul Kit—Ref. No. 121.

◆ Included in Carburetor Gasket Set—Ref. No. 977.  
∅ Included in Valve Gasket Set—Ref. No 1095.

# 194700 to 194799



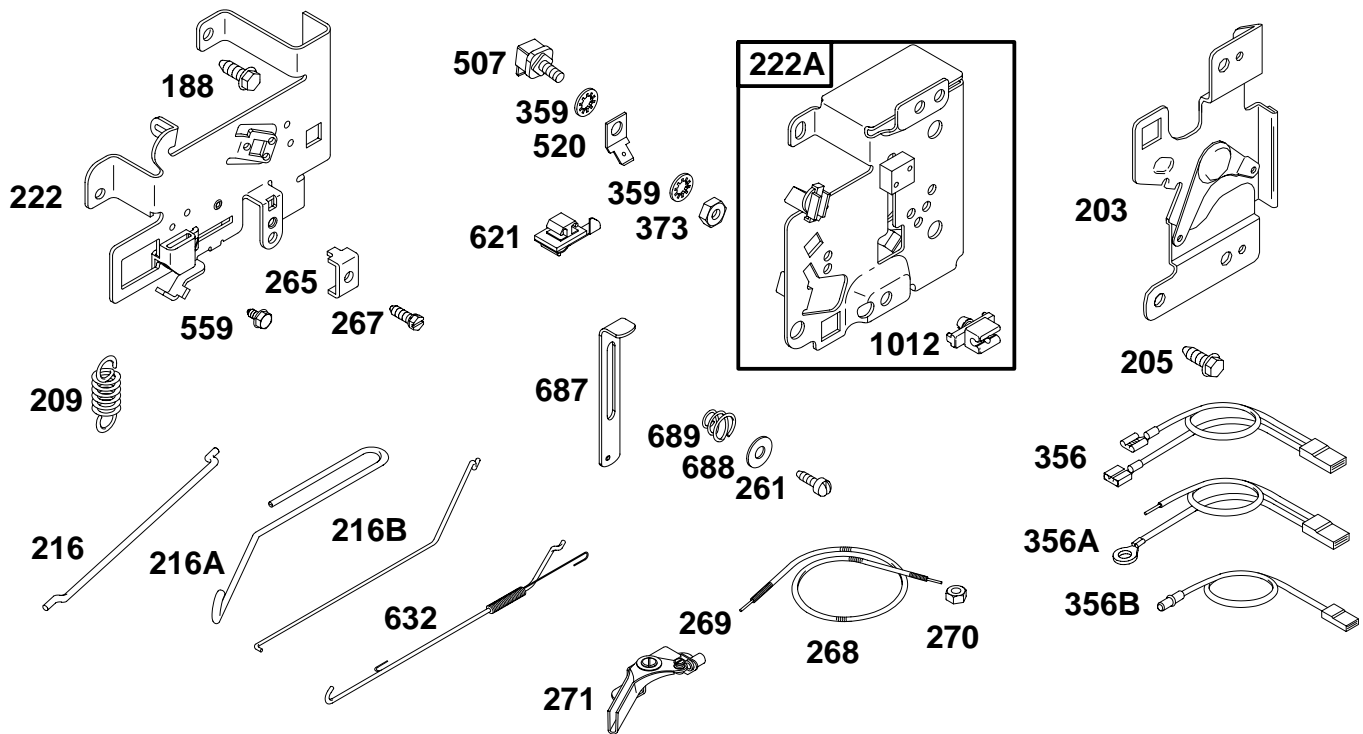
REF. NO.	PART NO.	DESCRIPTION	REF. NO.	PART NO.	DESCRIPTION	REF. NO.	PART NO.	DESCRIPTION		
50	213819	Manifold-Intake	125	692684	Carburetor (LMT 191, 192, 194)	142A	499105	Nozzle-Carburetor (Standard; LMT 148)		
51	◆272465	Gasket-Intake (Intake Manifold to Carburetor)	<b>Note</b>			<b>Note</b>				
51A	∅★272554	Gasket-Intake (Intake Manifold to Cylinder)	499074		499074			690121	Nozzle-Carburetor (Standard; LMT 192, 194)	
53	691098	Stud (Carburetor)	127	◆694530	Plug-Welch	147	◆497472	Jet-Pilot		
54	93208	Screw (Intake Manifold)	130	690468	Valve-Throttle	186	493496	Connector-Hose		
93	690602	Bushing-Throttle Shaft	131	494885	Kit-Throttle Shaft	231	◆94098	Screw (Choke Valve)		
94	494383	Kit-Idle Mixture	133	494381	Float-Carburetor	276	◆281164	Washer-Sealing (Float Bowl)		
94A	498836	Kit-Idle Mixture (With Limiter Cap) (LMT 148)	134	◆494788	Kit-Needle/Seat (Used Before Code Date 92072000).	634	◆690801	Spring/Seal Assembly (Manual Choke)		
95	◆94098	Screw (Throttle Valve)	137	◆281165	Gasket-Float Bowl	634A	◆690802	Spring/Seal Assembly (Choke A Matic)		
98	495800	Kit-Idle Speed (Used After Code Date 92071900).	141	495097	Kit-Choke Shaft (Manual Choke)	654	94010	Nut (Carburetor)		
<b>Note</b>			141A	495931	Kit-Choke Shaft (Choke A Matic) (Used After Code Date 92091400).	692	262820	Spring-Detent		
104	◆690525	Pin-Float Hinge	<b>Note</b>			950	94642	Screw (Float Bowl)		
105	◆231855	Valve-Float Needle (Used After Code Date 92071900).	142	◆494877	Nozzle-Carburetor (Standard; LMT 53, 86, 90)	975	495933	Bowl-Float		
106	◆231854	Seat-Inlet (Used After Code Date 92071900).	<b>Note</b>			987	◆691326	Seal-Throttle Shaft		
108	690464	Valve-Choke (Manual Choke)	494380		494380			987A	◆398970	Seal-Throttle Shaft (LMT 53, 86)
108A	692344	Valve-Choke (Choke A Matic)	494380		494380			1091	691333	Cap-Limiter

★ Included in Engine Gasket Set-Ref. No.358.

◆ Included in Carburetor Overhaul Kit-Ref. No. 121.

◆ Included in Carburetor Gasket Set-Ref. No. 977.

∅ Included in Valve Gasket Set-Ref. No. 1095.

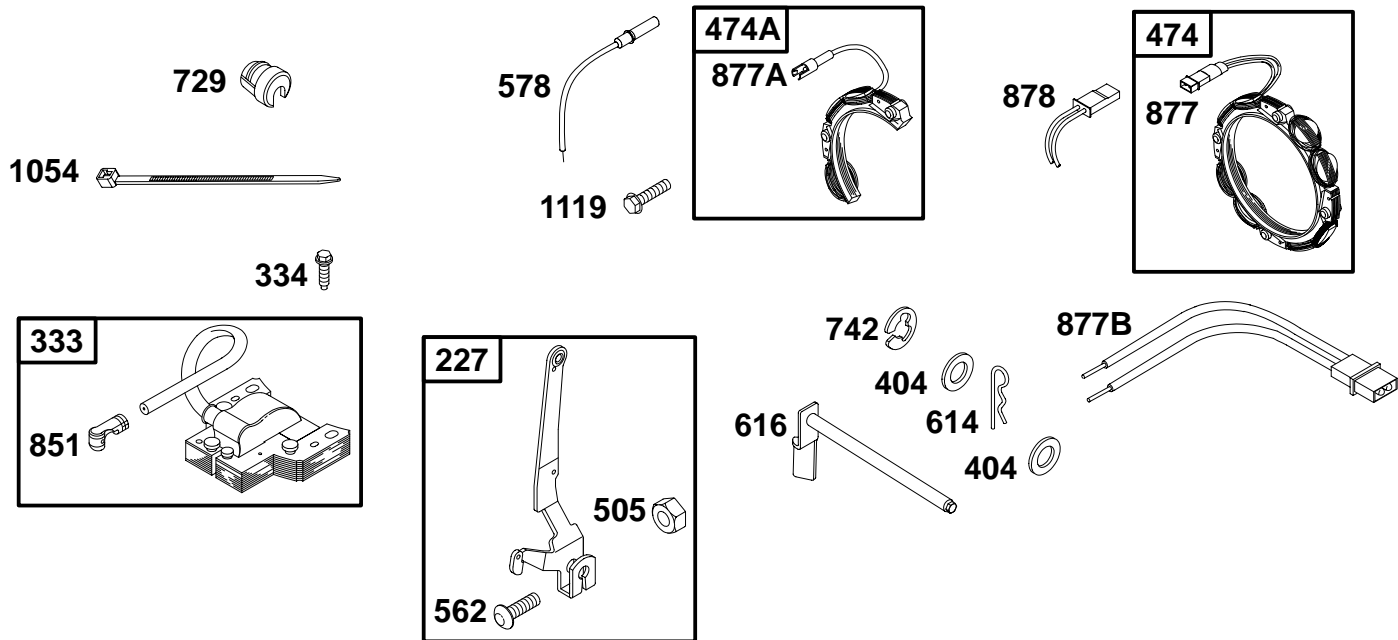


REF. NO.	PART NO.	DESCRIPTION	REF. NO.	PART NO.	DESCRIPTION	REF. NO.	PART NO.	DESCRIPTION
188	691673	Screw (Control Bracket)	261	690278	Screw (Control Slide)	359	691077	Washer (Ground Terminal)
203	691381	Crank-Bell	265	221535	Clamp-Casing	373	90576	Nut (Ground Terminal)
205	691673	Screw (Bell Crank)	267	94906	Screw (Casing Clamp)	507	398525	Insulator
209	260871	Spring-Governor	268	65616	Casing-Control Wire (Cut to Required Length)	520	691084	Terminal-Ground
		<b>Note</b>	269	26633	Wire-Control (Cut to Required Length)	559	94896	Screw (Remote Choke Stop)
		261126 Spring-Governor	270	63426	Nut (Control Wire Casing)	621	396847	Switch-Stop
		Used on Type No(s). 0114, 0115, 4019, 4519.	271	290568	Lever-Control	632	693663	Spring/Link-Mechanical Governor
		691278 Spring-Governor	356	398838	Wire-Stop (2 Wire, 2 Female Blade, 1 Insulated Male Blade Terminals)	687	390701	Slide-Control
		Used on Type No(s). 0113.	356A	398808	Wire-Stop (2 Wire, 1 Flat Ring Terminal, 1 Bare Wire End & 1 Insulated Male Blade Terminal)	688	690395	Cap-Friction
216	691281	Link-Choke	356B	690799	Wire-Stop (1 Wire, 1 Contact Socket, 1 Insulated Male Blade Terminal)	689	690529	Spring-Friction
216A	690573	Link-Choke				1012	690585	Retainer-Link
216B	692893	Link-Choke						
222	694042	Bracket-Control (Used After Code Date 99010600)						
		<b>Note</b>						
		495611 Bracket-Control (Used Before Code Date 99010700)						
222A	494041	Bracket-Control						

★ Included in Engine Gasket Set-Ref. No.358.  
● Included in Carburetor Overhaul Kit-Ref. No. 121.

◆ Included in Carburetor Gasket Set-Ref. No. 977.  
⊘ Included in Valve Gasket Set-Ref. No 1095.

# 194700 to 194799

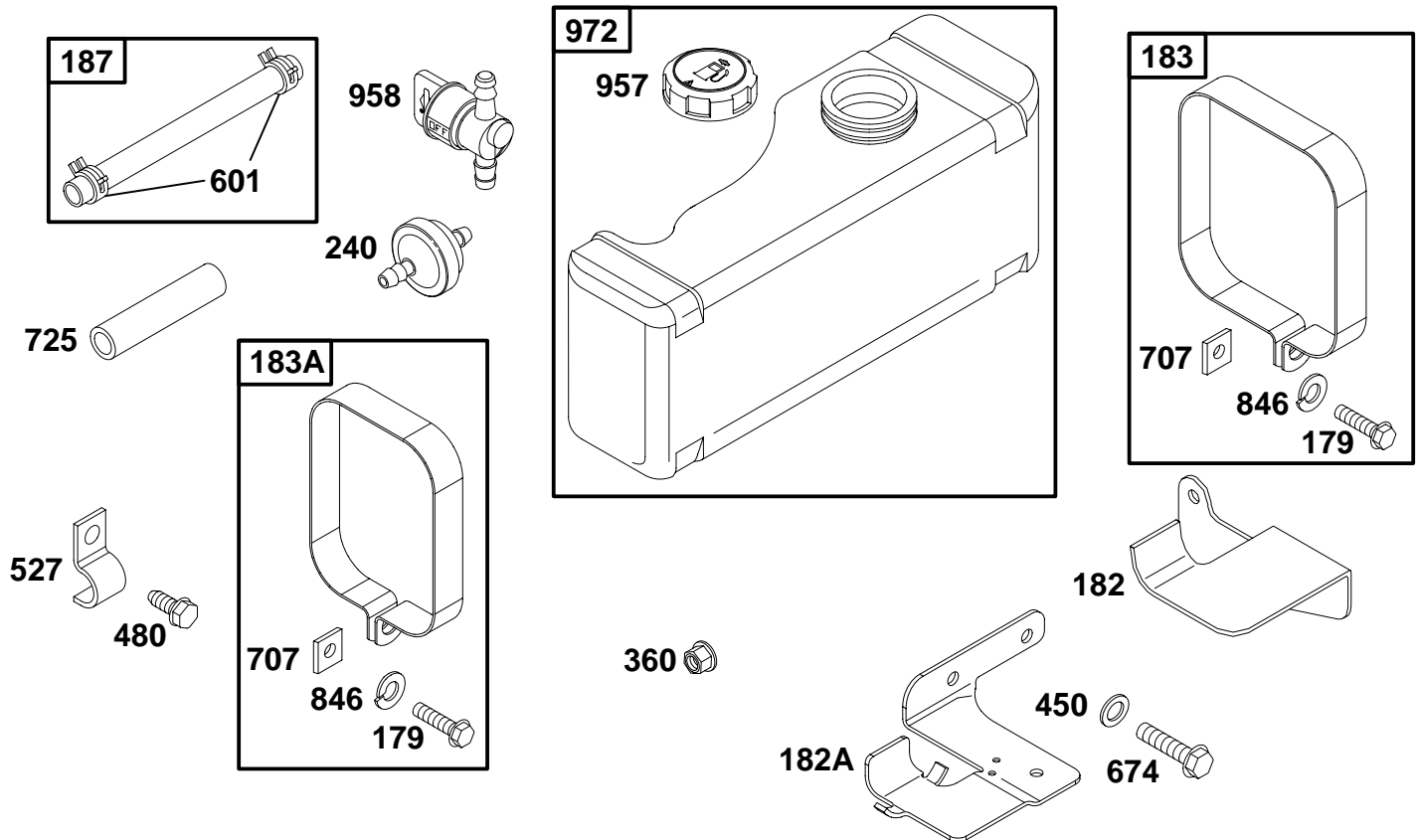


REF. NO.	PART NO.	DESCRIPTION	REF. NO.	PART NO.	DESCRIPTION	REF. NO.	PART NO.	DESCRIPTION
227	691374	Lever-Governor Control	562	92613	Bolt (Governor Control Lever)	877	393456	Wire/Connector-Alternator (Dual Circuit)
333	398811	Armature-Magneto	578	393422	Wire Assembly	877A	393814	Wire/Connector-Alternator (DC Only)
334	94731	Screw (Magneto Armature)	614	93306	Pin-Cotter	877B	399916	Wire/Connector-Alternator (Tri Circuit)
404	94927	Washer (Governor Crank)	616	495157	Crank-Governor	878	393362	Harness-Alternator (Dual Circuit)
474	393474	Alternator (Dual Circuit)	729	690596	Clip-Wire	1054	280275	Tie-Cable
474A	391529	Alternator (DC Only)	<b>Note</b> _____			1119	93621	Screw (Alternator)
505	231082	Nut (Governor Control Lever)	690603	Clip-Wire				
			Used on Type No(s). 0101, 0102, 0126, 0401, 0413.					
			742	93307	Retainer-E Ring			
			851	493880	Terminal-Sparkplug			

★ Included in Engine Gasket Set-Ref. No.358.  
● Included in Carburetor Overhaul Kit-Ref. No. 121.

◆ Included in Carburetor Gasket Set-Ref. No. 977.  
⊘ Included in Valve Gasket Set-Ref. No 1095.



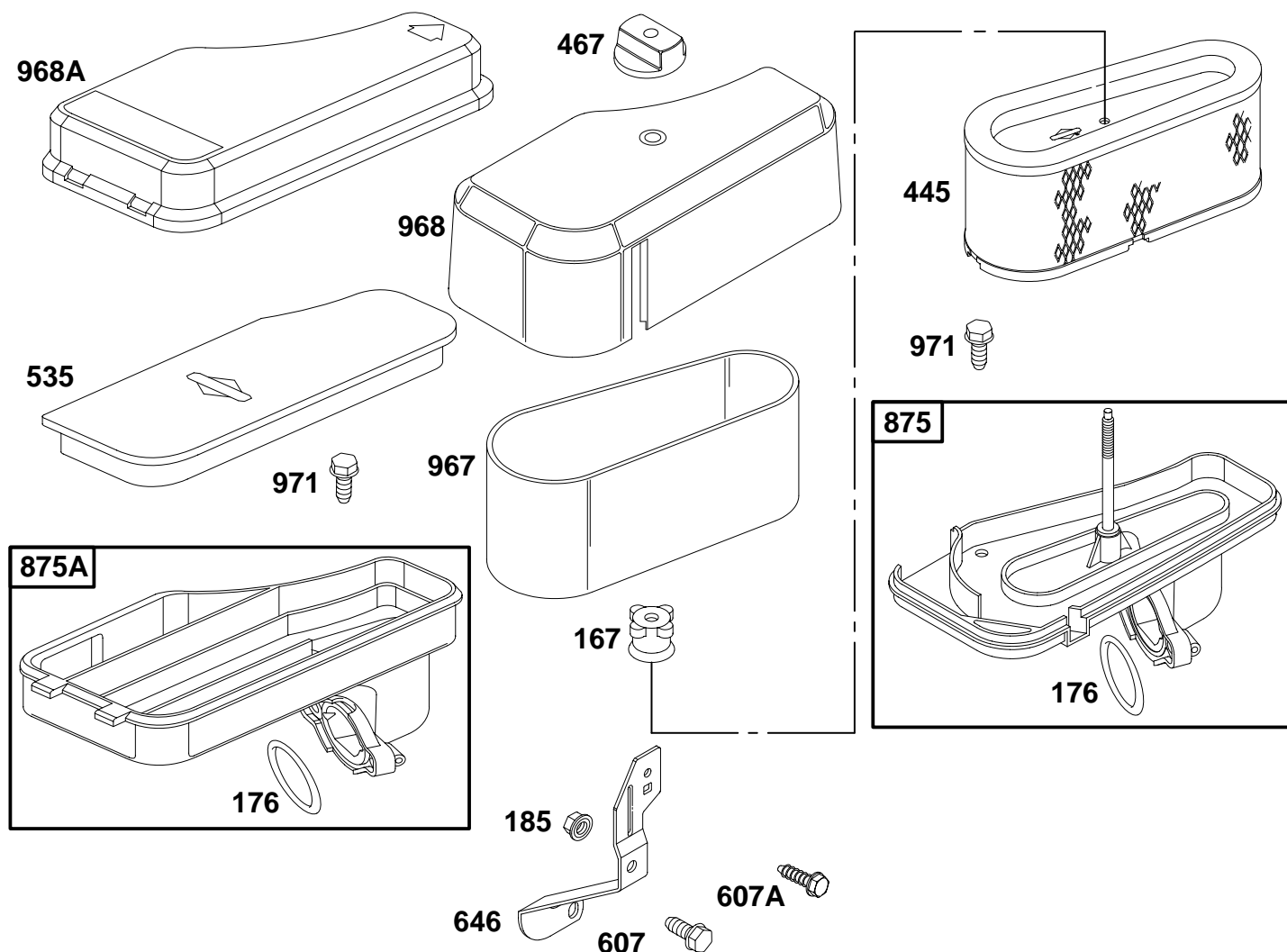


REF. NO.	PART NO.	DESCRIPTION	REF. NO.	PART NO.	DESCRIPTION	REF. NO.	PART NO.	DESCRIPTION
179	692331	Screw (Fuel Tank Strap)	360	691105	Nut (Fuel Tank Bracket)	674	94627	Screw (Fuel Tank Bracket)
182	691214	Bracket–Fuel Tank Right Hand)	450	691261	Washer (Fuel Tank Bracket) (5/8" O.D., 4 Used On Rewind Starter Engines Only)			(3/4" Long, Rewind Start Engines)
182A	692867	Bracket–Fuel Tank Left Hand)			<b>Note</b>			
183	496853	Strap–Fuel Tank (R.H.)			690259 Washer (Fuel Tank Bracket) (13/16" O.D., 2 Used On Electric Start Engines)			690341 Screw (Fuel Tank Bracket) (7/8" Long, Electric Start Engines)
183A	496852	Strap–Fuel Tank (L.H.)				707	690279	Nut (Fuel Tank Strap)
187	296004	Line–Fuel (Cut to Required Length)	480	94874	Screw (Tube Clamp)	725	690403	Shield–Heat (Tubular)
240	298090	Filter–Fuel	527	690394	Clamp–Tube	846	90832	Washer (Fuel Tank Strap)
			601	93053	Clamp–Hose	957	493988	Cap–Fuel Tank (Plastic)
						958	494768	Valve–Fuel Shut Off
						972	390225	Tank–Fuel (3 Quart, Plastic)

★ Included in Engine Gasket Set–Ref. No.358.  
● Included in Carburetor Overhaul Kit–Ref. No. 121.

◆ Included in Carburetor Gasket Set–Ref. No. 977.  
⊘ Included in Valve Gasket Set–Ref. No 1095.

# 194700 to 194799



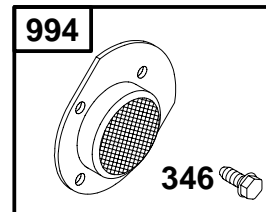
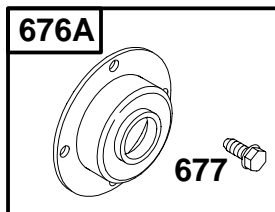
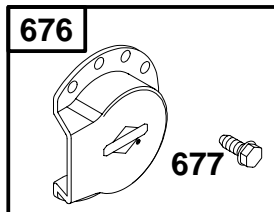
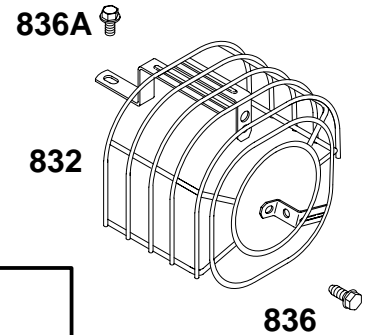
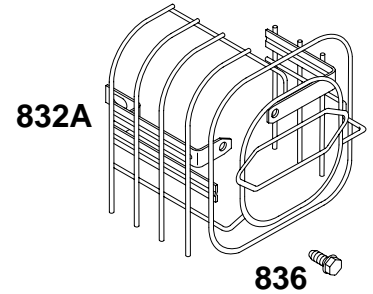
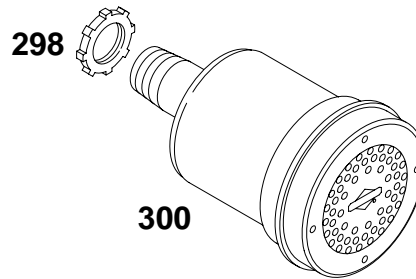
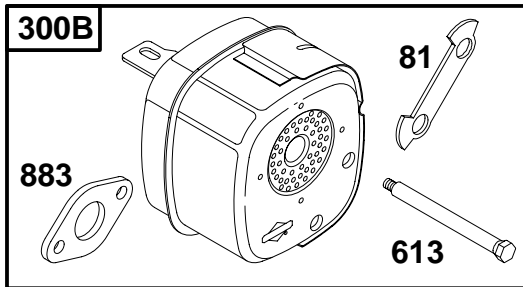
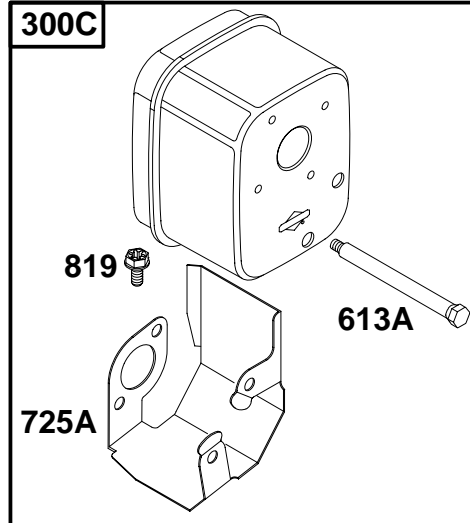
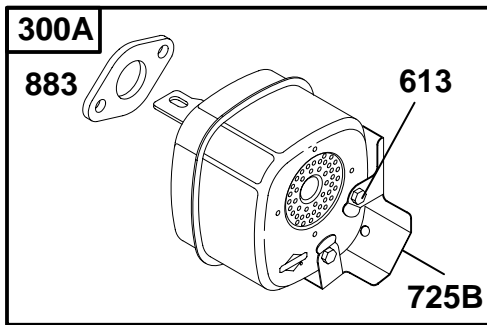
REF. NO.	PART NO.	DESCRIPTION	REF. NO.	PART NO.	DESCRIPTION	REF. NO.	PART NO.	DESCRIPTION
167	281051	Seal-Air Cleaner Nut	607	690703	Screw (Air Cleaner Brace) (13/32" Long)	875A	494745	Base-Air Cleaner (Uses Paper Filter With Foam Per Cleaner)
176	★281106	O-Ring Seal (Air Cleaner Base)	607A	94929	Screw (Air Cleaner Brace) (3/8" Long)	967	272477	Filter-Pre Cleaner
185	94010	Nut (Air Cleaner Base)	646	690465	Brace-Air Cleaner	968	691324	Cover-Air Cleaner (Uses Foam Filter)
445	493910	Filter-Air Cleaner Cartridge	875	693670	Base-Air Cleaner (Uses Foam Filter) (Used After Code Date 98091300).	968A	281108	Cover-Air Cleaner (Uses Paper Filter With Foam Per Cleaner)
467	493903	Knob-Air Cleaner	<b>Note</b>			971	692126	Screw (Air Cleaner Base)
535	272922	Filter-Air Cleaner Foam	<b>494827</b> Base-Air Cleaner (Uses Foam Filter) (Used Before Code Date 98091400).					

★ Included in Engine Gasket Set-Ref. No.358.

● Included in Carburetor Overhaul Kit-Ref. No. 121.

◆ Included in Carburetor Gasket Set-Ref. No. 977.

⊘ Included in Valve Gasket Set-Ref. No 1095.

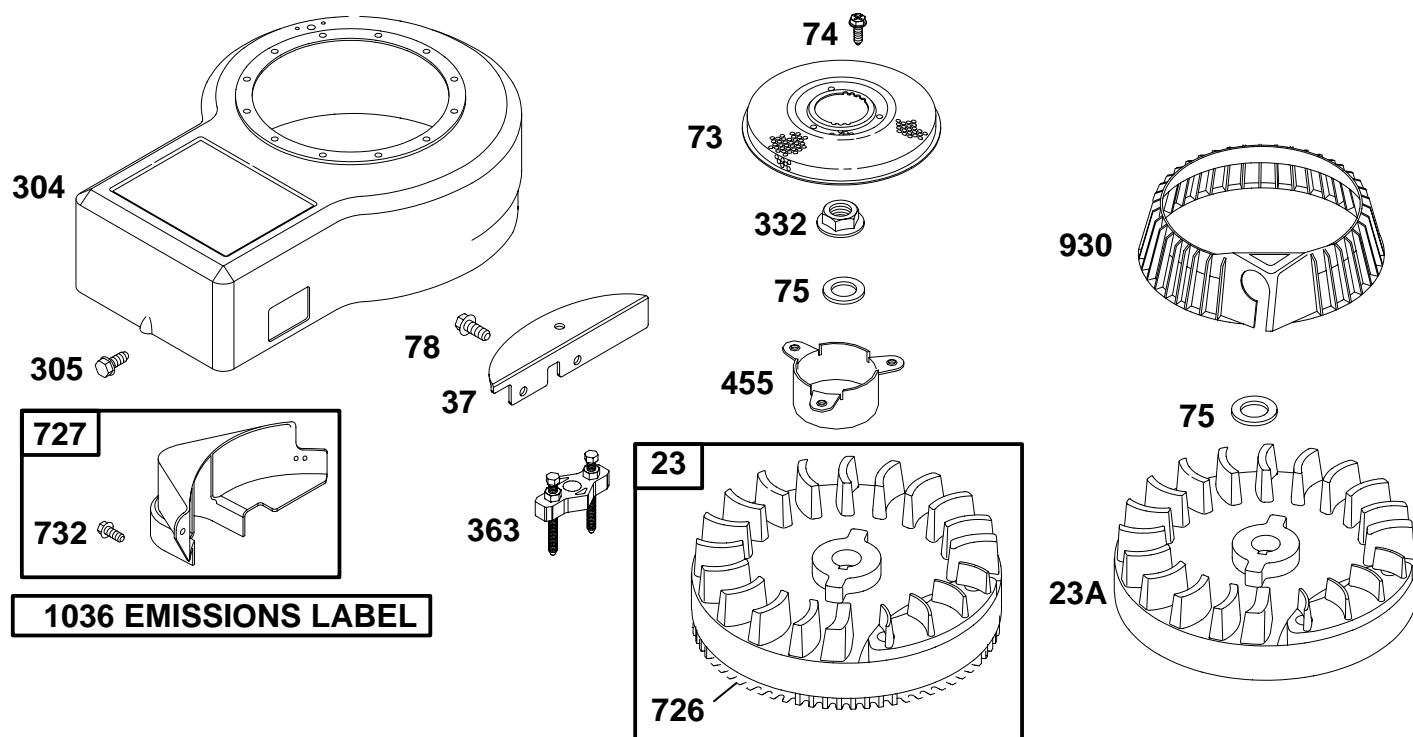


REF. NO.	PART NO.	DESCRIPTION	REF. NO.	PART NO.	DESCRIPTION	REF. NO.	PART NO.	DESCRIPTION
81	222263	Lock-Muffler Screw	613A	94054	Screw (Muffler)	832	492337	Guard-Muffler (Standard)
298	261409	Locknut-Muffler/Elbow	676	393757	Deflector-Muffler (Side Out)	832A	690858	Guard-Muffler (Used With Lo Tone Muffler Without Heat Shield Only)
300	393010	Muffler (Round Lo Tone)	676A	395700	Deflector-Muffler (Direct Out)	836	690367	Screw (Muffler Guard) (9/16" Long)
300A	398507	Muffler (Lo Tone Heat Shield)	677	94896	Screw (Muffler Deflector)	836A	695669	Screw (Muffler Guard) (7/16" Long)
300B	391313	Muffler (Lo Tone No Heat Shield)	725A	690433	Shield-Heat (Used With Super Lo Tone Muffler)	883	Ø*272309	Gasket-Exhaust
300C	494222	Muffler (Super Lo Tone)	725B	690431	Shield-Heat (Used With Lo Tone Muffler)	994	399541	Arrestor-Spark
346	94896	Screw (Spark Arrester)	819	94905	Screw (Muffler Bracket)			
613	94042	Screw (Muffler)						

★ Included in Engine Gasket Set-Ref. No.358.  
● Included in Carburetor Overhaul Kit-Ref. No. 121.

◆ Included in Carburetor Gasket Set-Ref. No. 977.  
Ø Included in Valve Gasket Set-Ref. No 1095.

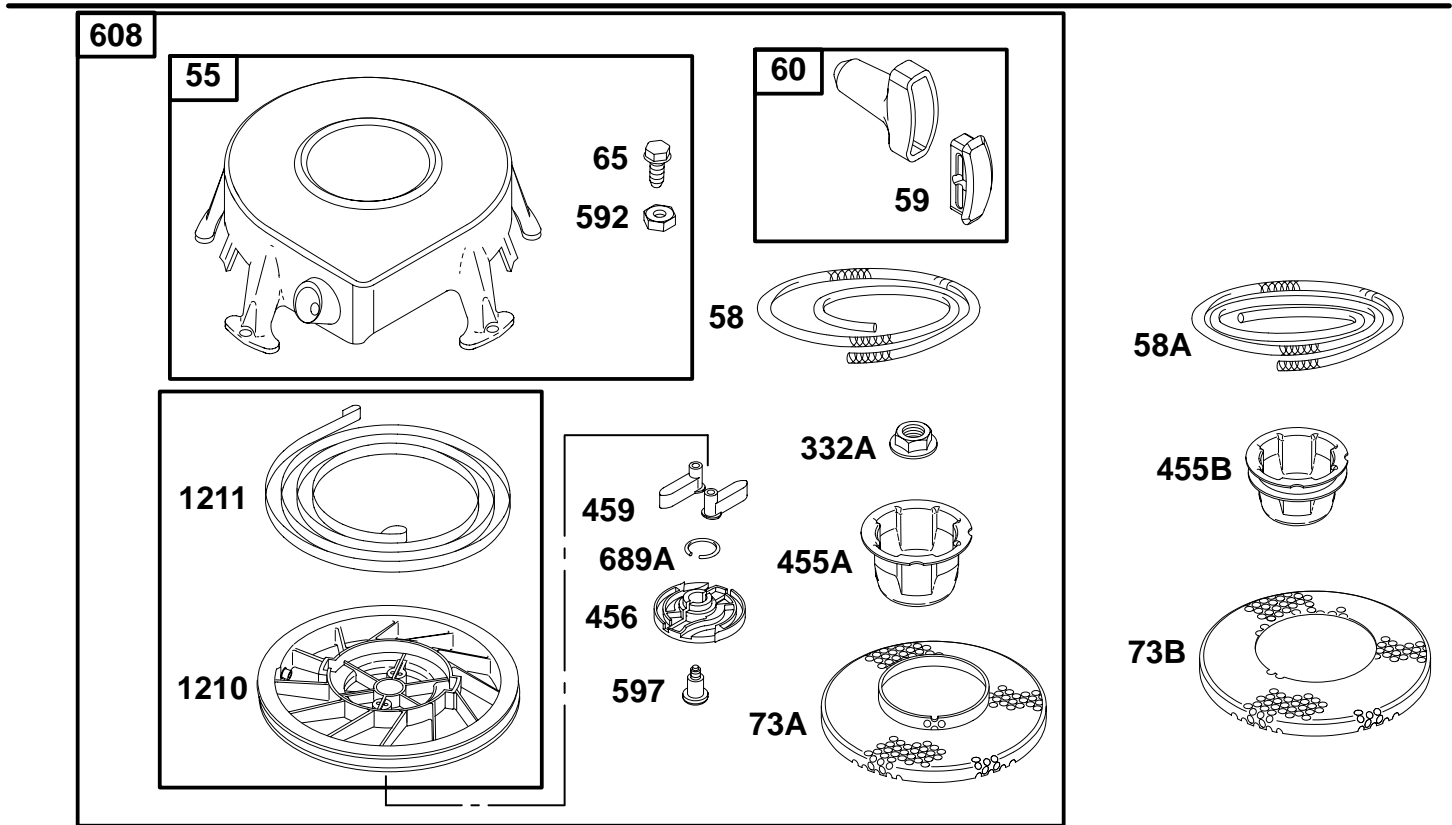
# 194700 to 194799



REF. NO.	PART NO.	DESCRIPTION	REF. NO.	PART NO.	DESCRIPTION	REF. NO.	PART NO.	DESCRIPTION
23	691354	Flywheel (Electric Start)	304	496832	Housing-Blower (For Rewind Starter)	930	280685	Guard-Rewind
23A	690615	Flywheel (Rewind Start)			<b>Note</b>	1036	695697	Label-Emissions (Used After Code Date 0006300).
37	690411	Guard-Flywheel (Standard)			496439 Housing-Blower (For Electric Starter) Used on Type No(s). 0101, 0413, 4026, 4028, 4525.			<b>Note</b>
		<b>Note</b>	305	94786	Screw (Blower Housing)			695096 Label-Emissions (Used Before Code Date 00070100 and After Code Date 99093000).
		692868 Guard-Flywheel (Used With 3 Quart Tank and Electric Start) Used on Type No(s). 0113, 0118, 0413.	332	693899	Nut (Flywheel) (Used After Code Date 98111500).			694305 Label-Emissions (Used Before Code Date 99100100 and After Code Date 98123100).
73	224517	Screen-Rotating (1 9/32" I.D., No Collar, Flush)			<b>Note</b>			499356 Label-Emissions (Used Before Code Date 99010100 and After Code Date 97052500).
74	94626	Screw (Rotating Screen)	363	19165	Flywheel Puller			499355 Label-Emissions (Used Before Code Date 97052600).
75	225136	Washer (Flywheel)	455	691173	Cup-Flywheel (Straight Side)			
78	690364	Screw (Flywheel Guard)	726	399676	Gear-Ring (Includes Mounting Hardware)			
			727	395405	Cover-Starter Drive			
			732	691097	Screw (Starter Drive Cover)			

★ Included in Engine Gasket Set-Ref. No.358.  
 ● Included in Carburetor Overhaul Kit-Ref. No. 121.

◆ Included in Carburetor Gasket Set-Ref. No. 977.  
 ∅ Included in Valve Gasket Set-Ref. No 1095.



REF. NO.	PART NO.	DESCRIPTION	REF. NO.	PART NO.	DESCRIPTION	REF. NO.	PART NO.	DESCRIPTION
55	693904	Housing-Rewind Starter (Used After Code Date 99022800).	332A	693899	Nut (Flywheel) (Used After Code Date 99022800).	592	94908	Nut (Starter Rewind) (Used After Code Date 99022800).
58	66884	Rope-Starter (63" Length)	455A	693902	Cup-Flywheel (Tapered Side With Ring Retainer) (Used After Code Date 99022800).	597	94943	Screw (Pawl Friction Plate) (Used After Code Date 99022800).
58A	66894	Rope-Starter (99" Length)	455B	694017	Cup-Flywheel (Used with 99" Rope) (Tapered Side With Ring Retainer and Rotating Ring) (Used After Code Date 99022800).	608	693900	Starter-Rewind (63" Length Rope) (Used After Code Date 99022800).
59	490653	Insert-Grip	456	281503	Plate-Pawl Friction (Used After Code Date 99022800).	689A	263073	Spring-Friction (Used After Code Date 99022800).
60	490652	Grip-Starter Rope (2 Piece)	459	281505	Pawl-Ratchet (Used After Code Date 99022800).	1210	498144	Pulley/Spring Assembly (Pulley) (Used After Code Date 99022800).
65	94904	Screw (Rewind Starter) (Used After Code Date 99022800).				1211	498144	Pulley/Spring Assembly (Spring) (Used After Code Date 99022800).
73A	693905	Screen-Rotating (2 19/32" Collar I.D., Use Tapered Cup Without Ring) (Used After Code Date 99022800).						
73B	694020	Screen-Rotating (2 19/32" Collar I.D., Use Tapered Cup With Ring) (Used with 99" Rope) (Used After Code Date 99022800).						

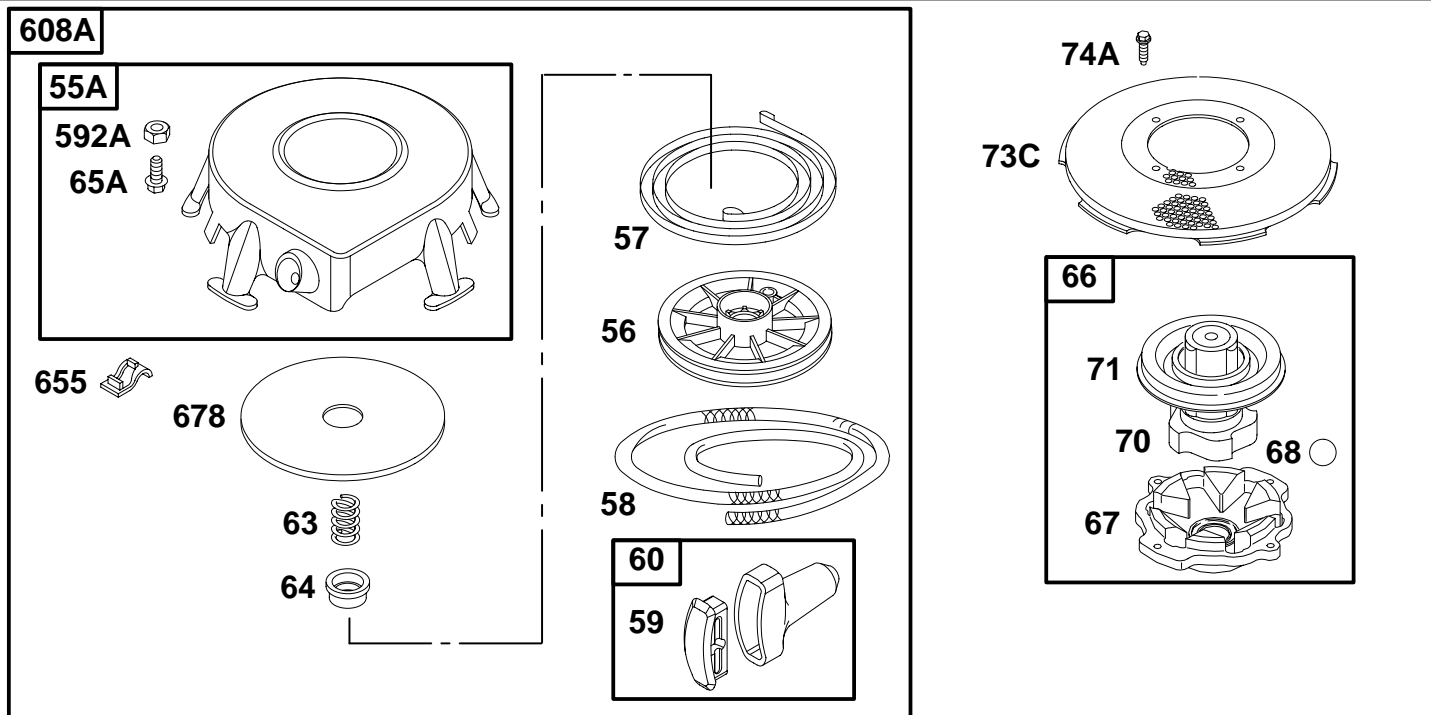
★ Included in Engine Gasket Set-Ref. No.358.

● Included in Carburetor Overhaul Kit-Ref. No. 121.

◆ Included in Carburetor Gasket Set-Ref. No. 977.

⊘ Included in Valve Gasket Set-Ref. No 1095.

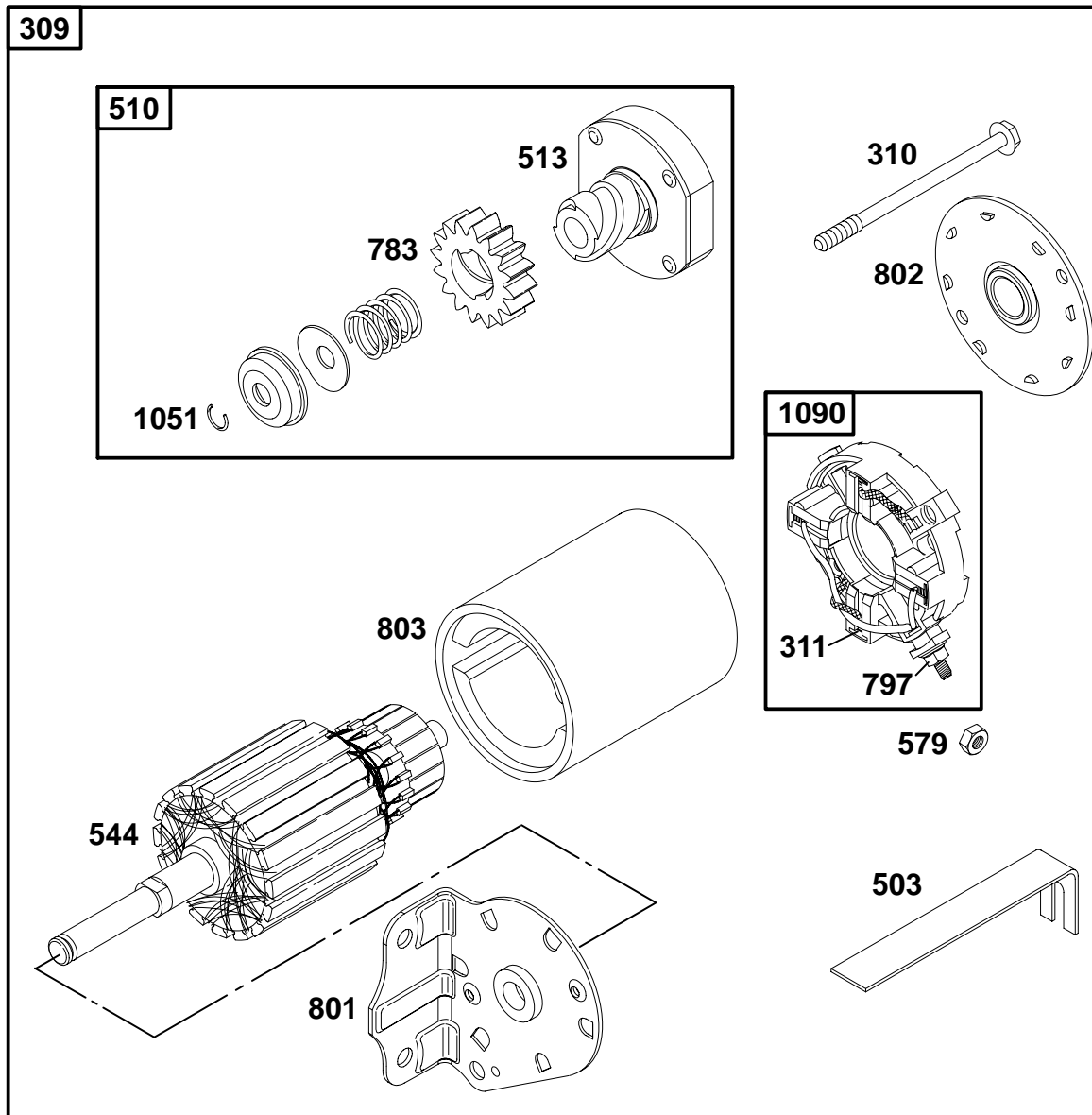
# 194700 to 194799



REF. NO.	PART NO.	DESCRIPTION	REF. NO.	PART NO.	DESCRIPTION	REF. NO.	PART NO.	DESCRIPTION
55A	393576	Housing-Rewind Starter (Used Before Code Date 99030100).	64	281204	Adapter-Ratchet Spring (Used Before Code Date 99030100).	71	691359	Cover-Ratchet (Used Before Code Date 99030100).
56	295871	Pulley-Starter (Used Before Code Date 99030100).	65A	94686	Screw (Rewind Starter) (Used Before Code Date 99030100).	73C	224874	Screen-Rotating (2 11/32" I.D., No Collar, Use Starter Clutch) (Used Before Code Date 99030100).
57	490179	Spring-Rewind Starter (Used Before Code Date 99030100).	66	399671	Clutch-Starter (Used Before Code Date 99030100).	74A	93758	Screw (Rotating Screen) (Used Before Code Date 99030100).
58	66884	Rope-Starter (63" Length)	67	394897	Housing-Clutch (Used Before Code Date 99030100).	592A	94908	Nut (Rewind Starter) (Used Before Code Date 99030100).
		<b>Note</b>	68	63770	Ball-Clutch (Used Before Code Date 99030100).	608A	390391	Starter-Rewind (Used Before Code Date 99030100).
		66894 Rope-Starter (99" Length)	70	298799	Ratchet-Clutch (Used Before Code Date 99030100).	655	222598	Anchor-Rewind Spring (Used Before Code Date 99030100).
59	490653	Insert-Grip				678	490817	Spacer-Rewind (Used Before Code Date 99030100).
60	490652	Grip-Starter Rope (2 Piece)						
63	260414	Spring-Ratchet (Used Before Code Date 99030100).						

★ Included in Engine Gasket Set-Ref. No.358.  
● Included in Carburetor Overhaul Kit-Ref. No. 121.

◆ Included in Carburetor Gasket Set-Ref. No. 977.  
⊘ Included in Valve Gasket Set-Ref. No 1095.

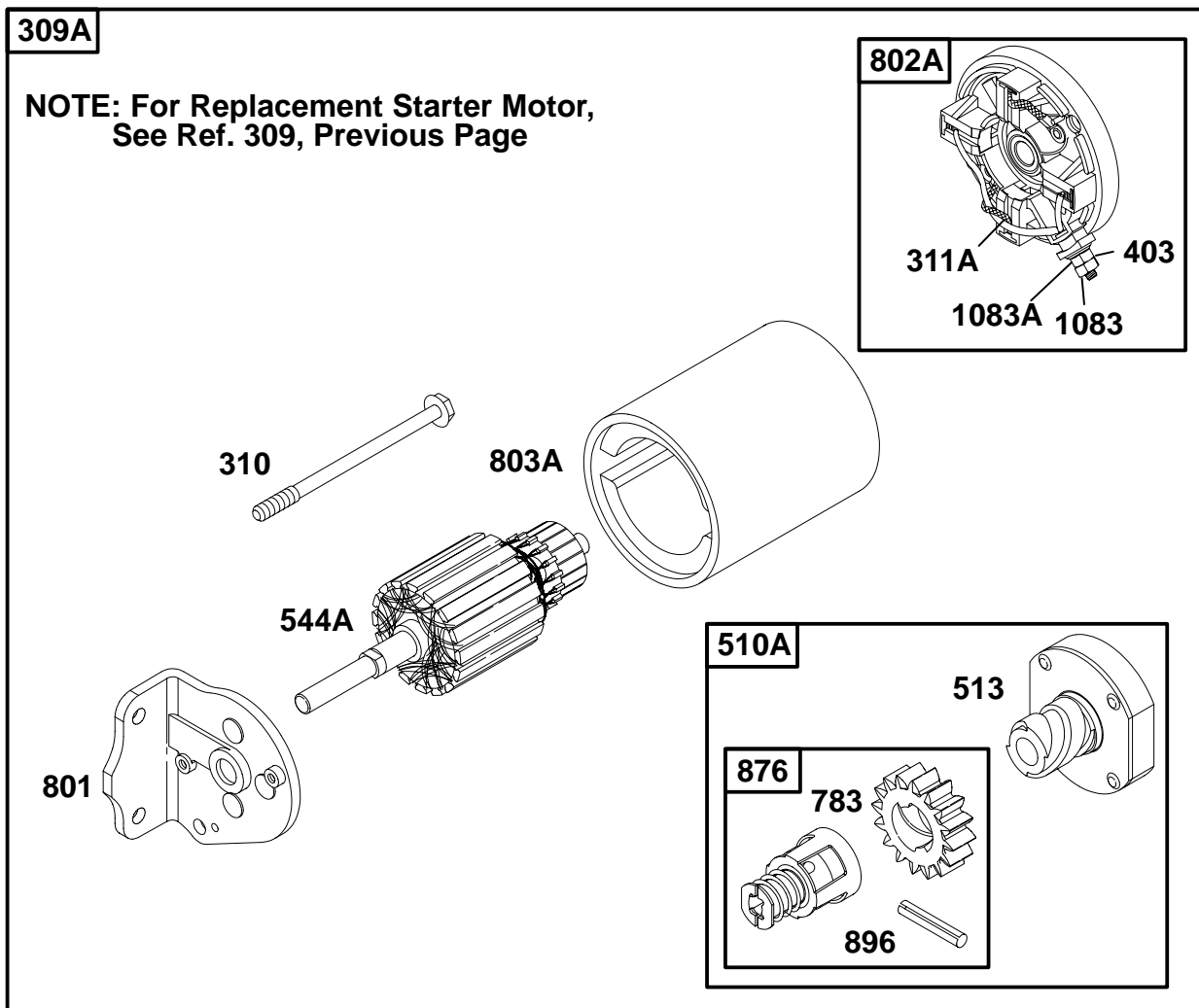


REF. NO.	PART NO.	DESCRIPTION	REF. NO.	PART NO.	DESCRIPTION	REF. NO.	PART NO.	DESCRIPTION
309	693054	Motor-Starter	544	497603	Armature-Starter (Service)	797	693167	Nut (Brush Retainer)
310	690323	Bolt (Starter Motor)	579	92278	Nut (Starter Cable)	801	691429	Cap-Drive
311	497608	Brush Set (Service)	697A	690372	Screw (Drive Cap)	802	497607	Cap-End (Sans Brush Set)
503	691532	Strap-Starter	729A	691224	Clip-Wire (Service)	803	693757	Housing-Starter (Service)
510	497606	Drive-Starter (Service)	783	693059	Gear-Pinion	1051	263080	Ring-Retaining
513	398003	Clutch-Drive				1090	497605	Retainer-Brush

★ Included in Engine Gasket Set-Ref. No.358.  
 ● Included in Carburetor Overhaul Kit-Ref. No. 121.

◆ Included in Carburetor Gasket Set-Ref. No. 977.  
 ∅ Included in Valve Gasket Set-Ref. No 1095.

# 194700 to 194799



**309A**

**NOTE: For Replacement Starter Motor,  
See Ref. 309, Previous Page**

**802A**

311A 403  
1083A 1083

310

803A

544A

801

**510A**

513

**876**

783

896

729B

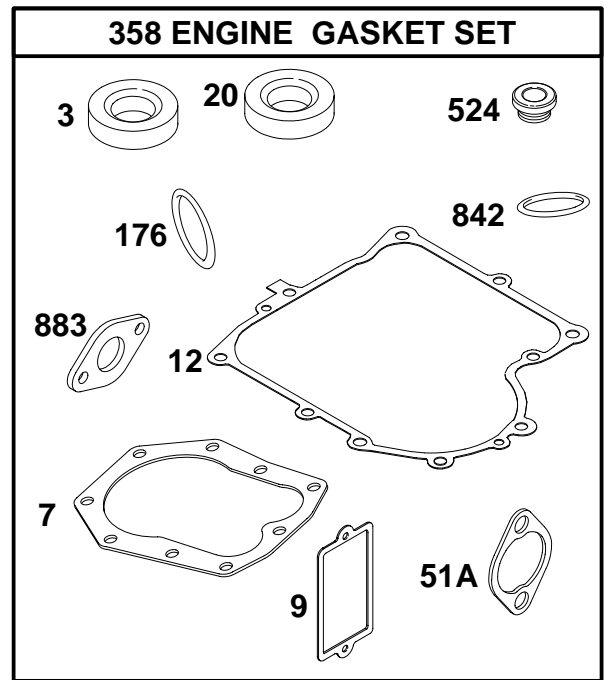
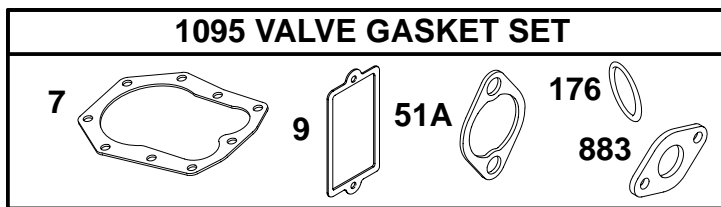
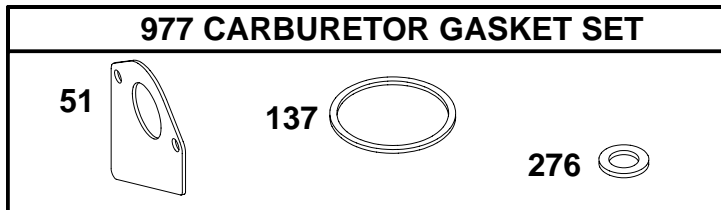
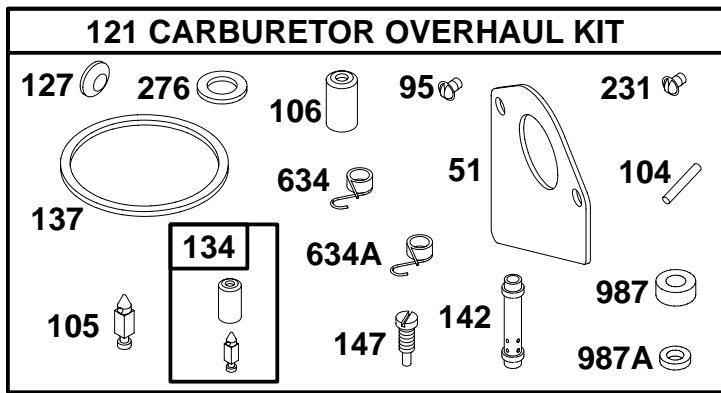
697

REF. NO.	PART NO.	DESCRIPTION	REF. NO.	PART NO.	DESCRIPTION	REF. NO.	PART NO.	DESCRIPTION
<b>309A</b>		Motor-Starter (For Replacement Starter Motor, See Ref 309)	<b>513</b>	<b>398003</b>	Clutch-Drive	<b>802A</b>	<b>395537</b>	Cap-End (Contains Brush Set)
	<b>310</b>	<b>690323</b> Bolt (Starter Motor)	<b>544A</b>	<b>390837</b>	Armature-Starter (Standard)	<b>803A</b>	<b>398159</b>	Housing-Starter (Standard)
	<b>311A</b>	<b>395538</b> Brush Set (Standard)	<b>697</b>	<b>94627</b>	Screw (Drive Cap) (3/4" Long)	<b>876</b>	<b>495877</b>	Kit-Pinion Spring
	<b>403</b>	<b>690288</b> Washer (End Cap)	<b>729B</b>	<b>224723</b>	Clip-Wire (Standard)	<b>896</b>	<b>94288</b>	Pin-Drive Retainer
	<b>510A</b>	<b>495878</b> Drive-Starter (Standard)	<b>783</b>	<b>693059</b>	Gear-Pinion	<b>1083</b>	<b>93715</b>	Nut (End Cap) (7/16" Thick)
			<b>801</b>	<b>394856</b>	Cap-Drive	<b>1083A</b>	<b>94010</b>	Nut (End Cap) (15/16" Thick)

★ Included in Engine Gasket Set-Ref. No.358.  
● Included in Carburetor Overhaul Kit-Ref. No. 121.

◆ Included in Carburetor Gasket Set-Ref. No. 977.  
⊘ Included in Valve Gasket Set-Ref. No 1095.





REF. NO.	PART NO.	DESCRIPTION	REF. NO.	PART NO.	DESCRIPTION	REF. NO.	PART NO.	DESCRIPTION
3	★391086	Seal—Oil (Magneto Side) (Used After Code Date 92070500).	51A	∅★272554	Gasket—Intake	137	●★281165	Gasket—Float Bowl
		<b>Note</b>	95	●94098	Screw (Throttle Valve)	142	●494877	Nozzle—Carburetor (Standard; LMT 53, 86, 90)
		★294606 Seal—Oil (Magneto Side) (Used Before Code Date 92070600).	104	●690525	Pin—Float Hinge	147	●497472	Jet—Pilot
7	∅★272163	Gasket—Cylinder Head	105	●231855	Valve—Float Needle (Used After Code Date 92071900).	176	∅★281106	O—Ring Seal (Air Cleaner Base)
9	∅★27803	Gasket—Breather	106	●231854	Seat—Inlet (Used After Code Date 92071900).	231	●94098	Screw (Choke Valve)
12	★271701	Gasket—Crankcase (.015" Standard)	121	497535	Kit—Carburetor Overhaul (Used After Code Date 94063000).	276	●★281164	Washer—Sealing (Float Bowl)
		<b>Note</b>			<b>Note</b>	358	299577	Gasket Set—Engine
		★27876 Gasket—Crankcase (.005")			495799 Kit—Carburetor Overhaul (Used Before Code Date 94070100).	524	★281370	Seal—Dipstick Tube
		★27877 Gasket—Crankcase (.009")	127	●694530	Plug—Welch	634	●690801	Spring/Seal Assembly
20	★391086	Seal—Oil (PTO Side)	134	●494788	Kit—Needle/Seat (Used Before Code Date 92072000).	634A	●690802	Spring/Seal Assembly
51	●★272465	Gasket—Intake				842	★270920	O—Ring Seal
						883	∅★272309	Gasket—Exhaust
						977	494385	Gasket Set—Carburetor
						987	●691326	Seal—Throttle Shaft
						987A	●398970	Seal—Throttle Shaft
						1095	498536	Gasket Set—Valve

★ Included in Engine Gasket Set—Ref. No. 358.  
● Included in Carburetor Overhaul Kit—Ref. No. 121.

◆ Included in Carburetor Gasket Set—Ref. No. 977.  
∅ Included in Valve Gasket Set—Ref. No. 1095.