

Illustrated Parts List

Model Series

192400 to 192499

TYPE NUMBERS

0001, 0005, 0006,
0007, 0008, 0011,
0015, 0023, 0025,
0035, 0041, 0047,
0049, 0065, 0070,
0100, 0102, 0103,
0115, 0116, 0122,
0123 through 0128,
0131 through 0137,
0140 through 0145,
0152, 0156, 0159,
0160 through 0168,
0170 through 0177,

TYPE NUMBERS

0180 through 0187,
0189 through 0195,
0505, 0515, 0523,
0525, 0535, 0541,
0547 through 0570,
0616 through 0636,
0643 through 0656,
0667 through 0673,
0691, 0694, 0702,
1005 through 1070,
1100 through 1198,
1200 through 1221,
6167.

TO FIND

THE CORRECT NUMBER OF THE PART YOU NEED: FOLLOW THE INSTRUCTIONS BELOW

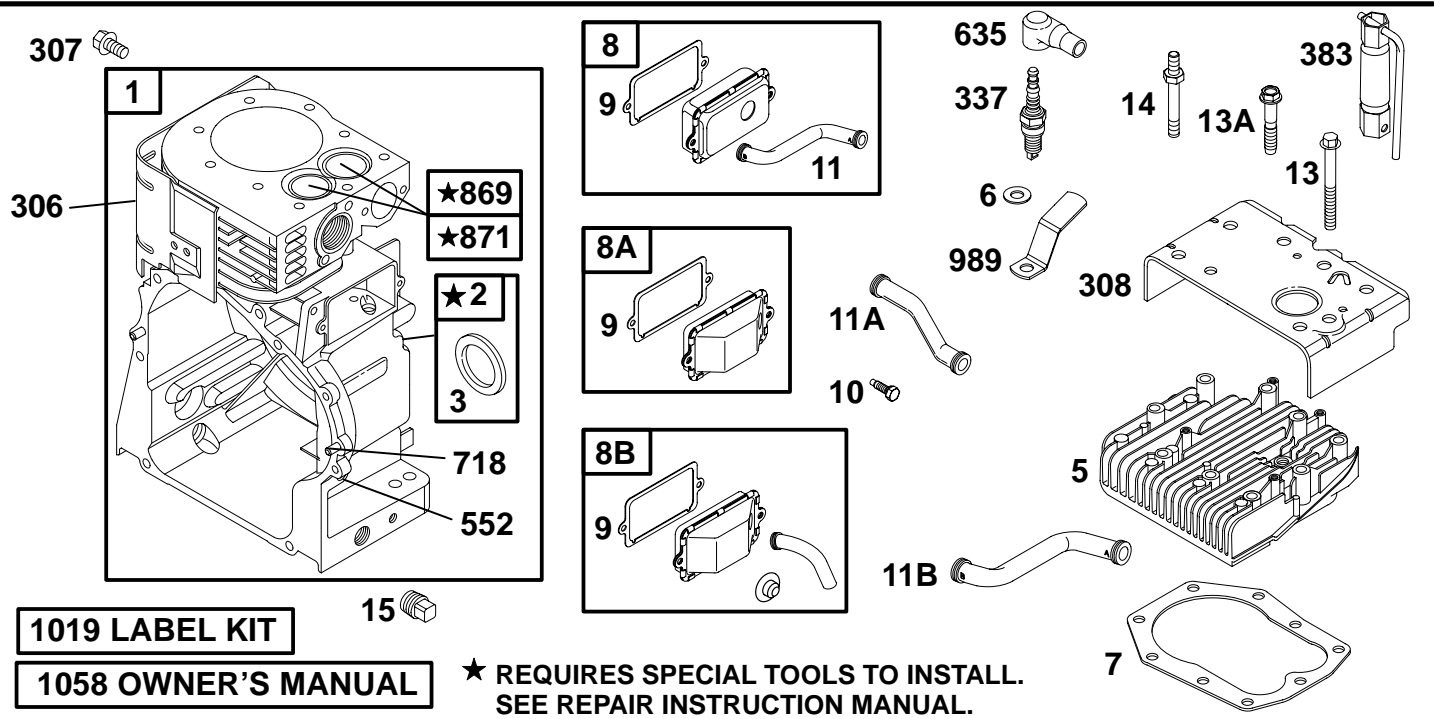
- A. Refer to Engine Model, Type and Code Number that is stamped on the blower housing of engine. Engine type numbers such as 0123 01 are listed only as 0123 in most instances. The two digits (01 or 02, etc.) to the right of the space may be required for more accurate parts identification in some instances. Select the Illustrated Parts List covering the correct Model Series and Type Number.
- B. Refer to the Illustrations and compare the original part with Illustration. The number next to the illustration is the Reference Number. Assemblies include all parts shown in frames. All parts shown in assembly frames having individual reference numbers can be purchased separately.
- C. After the Reference Number has been identified, refer to the Numerical text, where Reference and Primary Part Number are listed. **THE PRIMARY PART IS USED ON ALL TYPE NUMBERS EXCEPT THOSE TYPE NUMBERS UNDER "NOTE."**
- D. If a "Note" appears below the Primary Part Number, it means that this part differs from the Primary Part for certain types. If your Type number is listed under "Note," order the part referred to at the "Note."
- E. If your Engine Type Number does not appear after any part number listed under "Note," use the Primary Part Number.
- F. For Engine Type Numbers not covered by this book, check other Parts Lists having the same engine model or contact your source of supply.

PRINTED IN U.S.A.



COPYRIGHT by BRIGGS & STRATTON CORPORATION
All rights reserved. No part of this material may be reproduced or transmitted, in any form or by any means, electronic or mechanical, including photocopying, recording or by any information storage and retrieval system, without permission in writing from Briggs & Stratton Corporation.

192400 to 192499

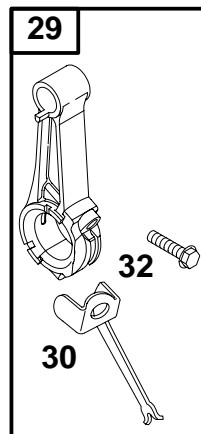
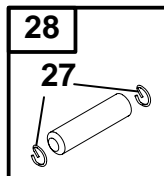
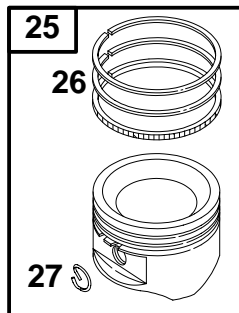


★ REQUIRES SPECIAL TOOLS TO INSTALL.
SEE REPAIR INSTRUCTION MANUAL.

REF. NO.	PART NO.	DESCRIPTION	REF. NO.	PART NO.	DESCRIPTION	REF. NO.	PART NO.	DESCRIPTION
1	495631	Cylinder Assembly (Includes OIL GARD® Cover)	11A	280225	Tube-Breather (Used After Code Date 95010100 and Before Code Date 95040300).	307	94930	Screw (Cylinder Shield)
2	495657	Kit-Bushing/Seal (Magneto Side)	11B	281426	Tube-Breather (Used Before Code Date 94111100).	308	691212	Cover-Cylinder
3	★391086	Seal-Oil (Magneto Side)	13	94565	Screw (Cylinder Head) (2 21/32" Long)	337	802592	Sparkplug
5	691715	Head-Cylinder	13A	94622	Screw (Cylinder Head) (3" Long)	383	89838	Wrench-Sparkplug
6	691261	Washer (Cylinder Head)	14	691109	Stud (Cylinder Head) (3 15/16" Long) (Used in Position 1)	552	491986	Bushing-Governor Crank
7	∅★272163	Gasket-Cylinder Head			Note	718	230192	Pin-Locating
8	498038	Breather Assembly (Used After Code Date 95040200).			94926 Stud (Cylinder Head) (3 5/16" Long) (Used in Position #5 & 6)	635	66538	Boot-Sparkplug
8A	495736	Breather Assembly (Used After Code Date 95010100 and Before Code Date 95040300).	15	94239	Plug-Oil Drain	869	211661	Seat-Valve
8B	497710	Kit-Breather (Used Before Code Date 95010200).			Note	871	261961	Bushing-Valve Guide (Exhaust)
9	∅★27803	Gasket-Breather			690289 Plug-Oil Drain (Magnetic)			Note
10	691666	Screw (Breather Assembly)	306	496797	Shield-Cylinder			231218 Bushing-Valve Guide (Intake)
11	280819	Tube-Breather (Used After Code Date 95040200).				989	225171	Switch-Stop
						1019	491193	Kit-Label
						1058	274786	Owner's Manual (Emission Engines)
								Note
								272848 Owner's Manual (Non Emission Engines)

★ Included in Engine Gasket Set-Ref. No. 358.
● Included in Carburetor Overhaul Kit-Ref. No. 121.

∅ Included in Valve Gasket Set-Ref. No. 1095.
◆ Included in Carburetor Gasket Set-Ref. No. 977.

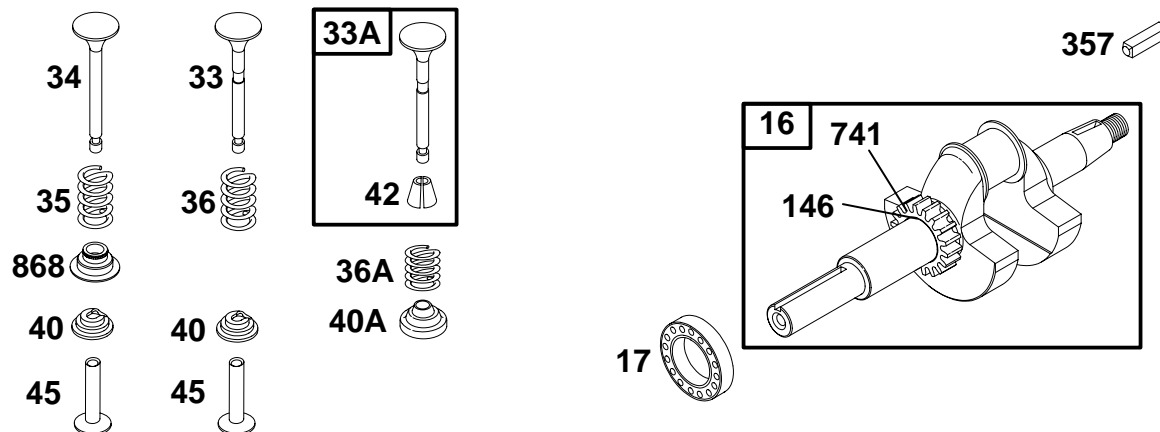


REF. NO.	PART NO.	DESCRIPTION	REF. NO.	PART NO.	DESCRIPTION	REF. NO.	PART NO.	DESCRIPTION
25	391673	Piston Assembly (Standard) Note 391674 Piston Assembly (.010" O.S.) 391675 Piston Assembly (.020" O.S.) 391676 Piston Assembly (.030" O.S.)	26	391669	Ring Set (Standard) Note 299743 Ring Set (Standard, Chrome) 391670 Ring Set (.010" O.S.) 391671 Ring Set (.020" O.S.) 690020 Ring Set (.030" O.S.)	27	236181	Lock-Piston Pin
						28	295840	Pin-Piston (Standard) Note 295841 Pin-Piston (.005" O.S.)
						29	390401	Rod-Connecting Note 390773 Rod-Connecting (.020" Undersize)
						30	222113	Dipper-Connecting Rod
						32	690352	Screw (Connecting Rod)

★ Included in Engine Gasket Set-Ref. No. 358.
 ● Included in Carburetor Overhaul Kit-Ref. No. 121.

⊘ Included in Valve Gasket Set-Ref. No. 1095.
 ◆ Included in Carburetor Gasket Set-Ref. No. 977.

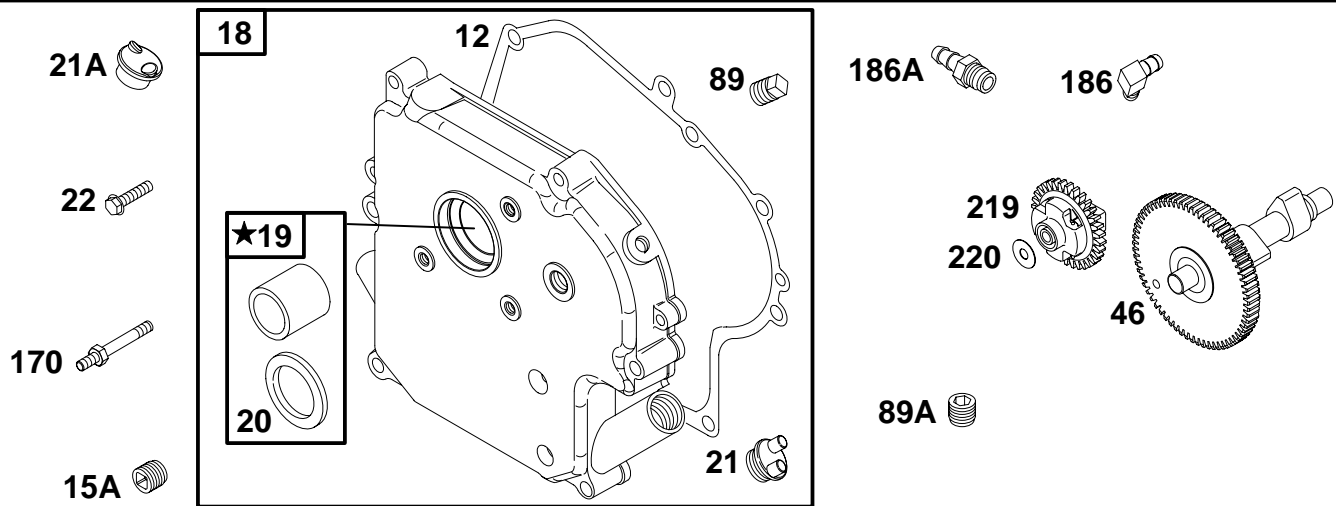
192400 to 192499



REF. NO.	PART NO.	DESCRIPTION	REF. NO.	PART NO.	DESCRIPTION	REF. NO.	PART NO.	DESCRIPTION
16	495790	Crankshaft Note 495648 Crankshaft Used on Type No(s). 0015, 0025, 0100, 0127, 0131, 0132, 0145, 0515, 0525, 0645, 1015, 1025, 1100, 1127, 1131, 1132, 1145, 1196, 1197, 1200, 1209, 1221. 495655 Crankshaft Used on Type No(s). 0008, 0035, 0041, 0102, 0135, 0166, 0170, 0173, 0189, 0535, 0541, 0669, 0670, 0671, 1008, 1035, 1041, 1102, 1173, 1189, 1212, 1213. 690834 Crankshaft Used on Type No(s). 0049, 0103, 0549, 1049. 495788 Crankshaft Used on Type No(s). 0192, 0193, 1193, 1204, 1218, 1219. 495789 Crankshaft Used on Type No(s). 0047, 0126, 0547, 1047, 1126, 1206.			495866 Crankshaft Used on Type No(s). 0065, 0156, 0172, 0176, 0187, 0565, 0654, 0656, 1065. 495884 Crankshaft Used on Type No(s). 0023, 0128, 0159, 0160, 0161, 0185, 0523, 1023, 1128, 1147, 1148, 1159, 1161, 6167. 497146 Crankshaft Used on Type No(s). 0122, 0123, 0125, 0622, 0623, 0625, 1122, 1125. 693013 Crankshaft Used on Type No(s). 0626, 0702, 1198, 1220. 499531 Crankshaft Used on Type No(s). 1205, 1211.	17	691069	Bearing-Ball
						33	691287	Valve-Exhaust (Used After Code Date 95041600)
						33A	390419	Valve-Exhaust (Used Before Code Date 95041700).
						34	261055	Valve-Intake
						35	65906	Spring-Valve (Intake)
						36	65906	Spring-Valve (Exhaust) (Used After Code Date 95041600)
						36A	26828	Spring-Valve (Exhaust Only) (Used Before Code Date 95041700).
						40	221596	Retainer-Valve
						40A	292260	Retainer-Valve (Used Before Code Date 95041700).
						42	494553	Keeper-Valve (Used Before Code Date 95041700).
						45	260933	Tappet-Valve
						146	94388	Key-Timing
						357	91540	Key-Drive Pulley
						741	691288	Gear-Timing
						868	497656	Seal-Valve

★ Included in Engine Gasket Set-Ref. No. 358.
● Included in Carburetor Overhaul Kit-Ref. No. 121.

⊗ Included in Valve Gasket Set-Ref. No. 1095.
◆ Included in Carburetor Gasket Set-Ref. No. 977.

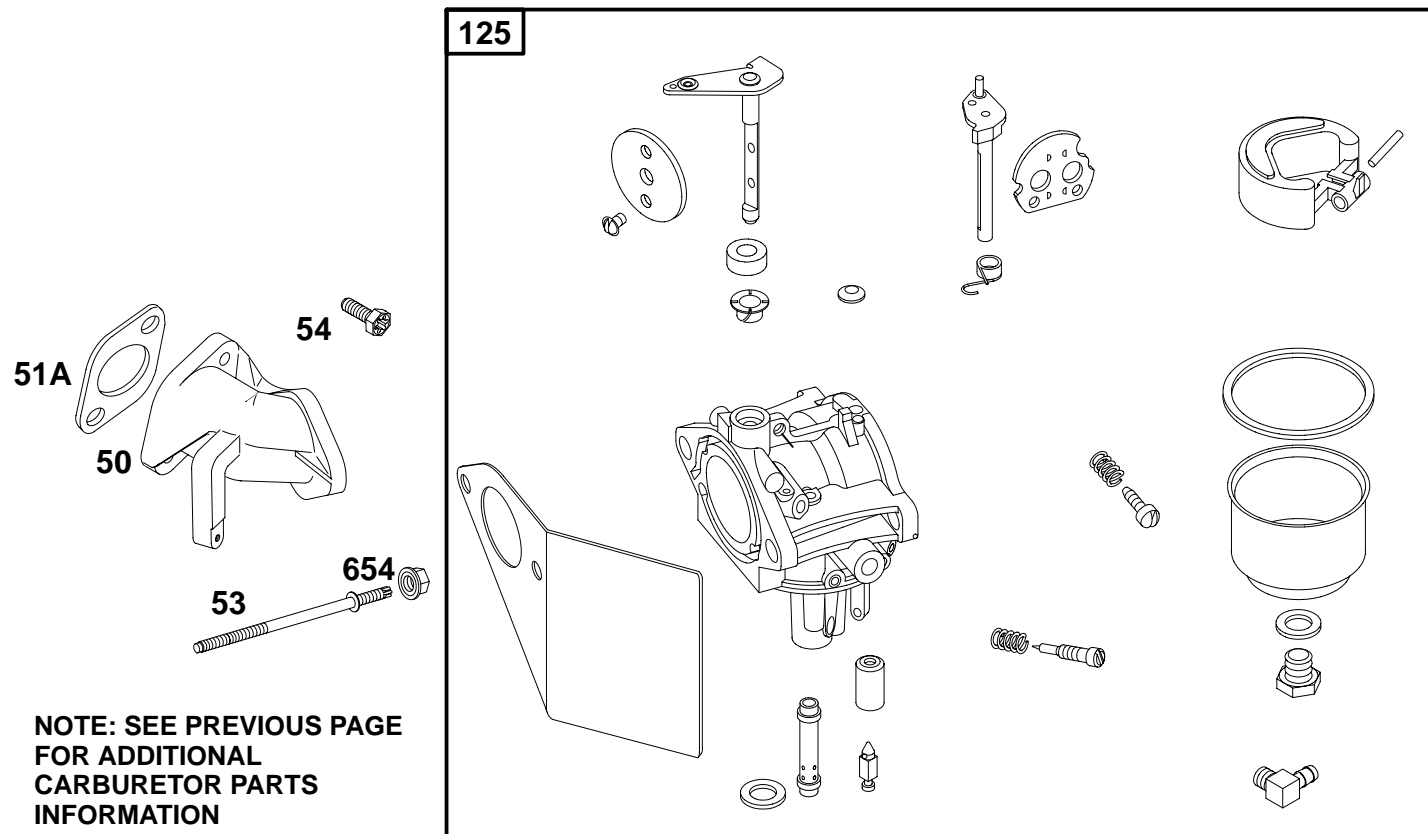


REF. NO.	PART NO.	DESCRIPTION	REF. NO.	PART NO.	DESCRIPTION	REF. NO.	PART NO.	DESCRIPTION
12	★271701	Gasket-Crankcase (.015", Standard) Note ★27876 Gasket-Crankcase-005 (.005") ★27877 Gasket-Crankcase-009 (.009")		496981	Cover-Crankcase Used on Type No(s). 1047, 1126, 6167.	22	93585	Screw (Crankcase Cover/Sump) Note 691103 Screw (Crankcase Cover/Sump) (Used in Position 1)
15A	94880	Plug-Oil Drain		496982	Cover-Crankcase Used on Type No(s). 0015, 0025, 0100, 0127, 0131, 0132, 0145, 0515, 0525, 0645, 1015, 1025, 1100, 1127, 1131, 1132, 1145, 1196, 1197, 1200, 1205, 1209, 1211, 1221.	46	211689	Camshaft
18	496984	Cover-Crankcase Note 496979 Cover-Crankcase Used on Type No(s). 0122, 0156, 0159, 0161, 0193, 0622, 0656, 1122, 1147, 1159, 1193, 1204, 1218, 1219. 496980 Cover-Crankcase Used on Type No(s). 0006, 0008, 0011, 0035, 0041, 0047, 0065, 0070, 0102, 0126, 0133, 0135, 0163, 0166, 0170, 0172, 0173, 0175, 0176, 0187, 0189, 0195, 0535, 0541, 0565, 0570, 0636, 0669, 0670, 0671, 1008, 1011, 1035, 1041, 1065, 1070, 1102, 1136, 1173, 1175, 1189, 1195, 1206, 1212, 1213.		496983	Cover-Crankcase Used on Type No(s). 0023, 0049, 0103, 0123, 0160, 0185, 0523, 0549, 0623, 0626, 0702, 1023, 1049, 1198, 1220.	89	690283	Plug-Oil
			19	295964	Kit-Bushing/Seal (PTO Side)	89A	690343	Plug-Oil Used on Type No(s). 1203.
			20	★391086	Seal-Oil (PTO Side)	170	94931	Stud (Crankcase Cover/Sump) (Used in Position #1) Used on Type No(s). 0122, 0125, 0133, 0145, 0156, 0166, 0173, 0175, 0185, 0186, 0189, 0622, 0625, 0645, 0654, 0656, 1122, 1125, 1145, 1147, 1148, 1173, 1175, 1186, 1189, 1197, 1204, 1209, 1218.
			21	66768	Cap-Oil Fill	186	67218	Connector-Hose (Straight)
			21A	693463	Plug-Oil Used on Type No(s). 1015, 1025, 1196, 1197, 1200.	186A	230318	Connector-Hose (Right Angle)
					219	496786	Gear-Governor	
					220	221551	Washer (Governor Gear)	

★ Included in Engine Gasket Set-Ref. No. 358.
 ● Included in Carburetor Overhaul Kit-Ref. No. 121.

⊘ Included in Valve Gasket Set-Ref. No. 1095.
 ♦ Included in Carburetor Gasket Set-Ref. No. 977.

192400 to 192499

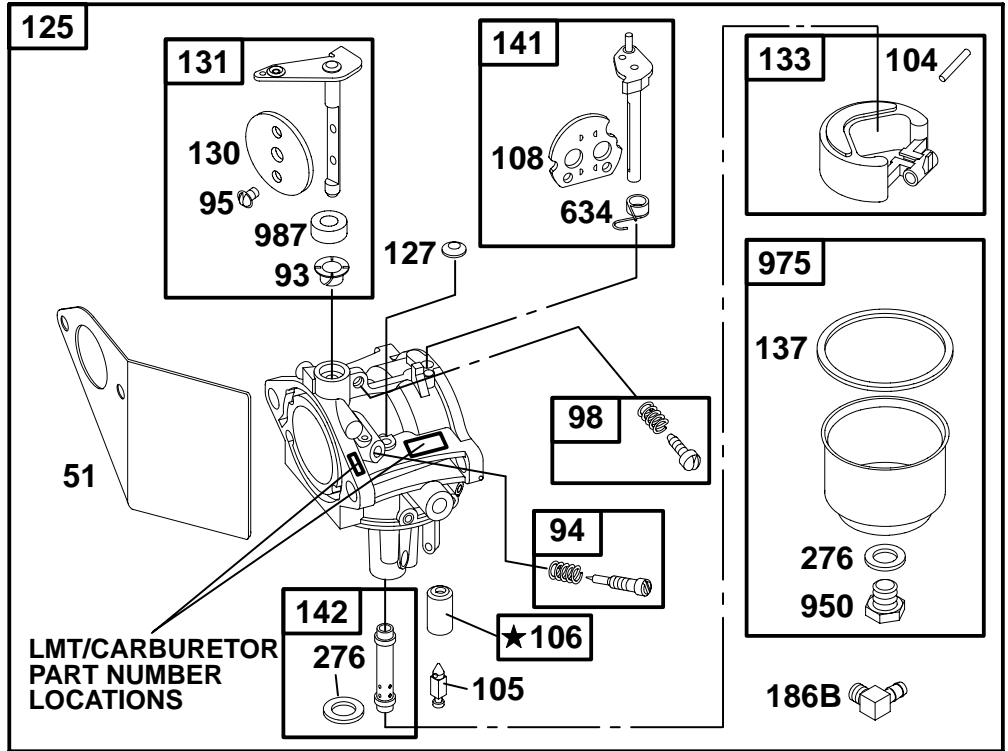
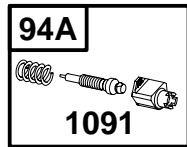
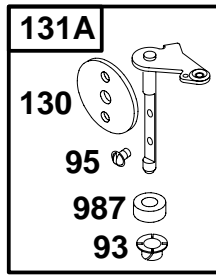


REF. NO.	PART NO.	DESCRIPTION	REF. NO.	PART NO.	DESCRIPTION	REF. NO.	PART NO.	DESCRIPTION
50	691157	Manifold-Intake			0123, 0125, 0126,			0140, 0159, 0160,
51A	Ø★272707	Gasket-Intake			0127, 0128, 0131,			0161, 0163, 0166,
53	94778	Stud (Carburetor)			0132, 0133, 0134,			0167, 0168, 0171,
54	93208	Screw (Intake Manifold)			0135, 0137, 0140,			0172, 0173, 0176.
125	690119	Carburetor (Used After Code Date 97082400).			0141, 0143, 0145,			694285 Carburetor Used on Type No(s). 1203.
		Note			0152, 0156, 0159,			
		498838 Carburetor (Used Before Code Date 97082500).			0160, 0161, 0163,			690119 Carburetor (Used After Code Date 97082400).
		497581 Carburetor (Used After Code Date 94083100). Used on Type No(s). 0001, 0005, 0006, 0007, 0008, 0011, 0015, 0023, 0025, 0035, 0041, 0047, 0049, 0065, 0070, 0100, 0102, 0103, 0115, 0116, 0122,			0166, 0167, 0168, 0170, 0171, 0172, 0173, 0175, 0176, 0177, 0180, 0185, 0186, 0187, 0189, 0190, 0191, 0192, 0193, 0195.			Used on Type No(s). 6167.
					497038 Carburetor (Used Before Code Date 94090100). Used on Type No(s). 0001, 0005, 0006, 0007, 0011, 0015, 0023, 0025, 0035, 0041, 0047, 0049, 0070, 0100, 0102, 0103, 0115, 0116, 0122, 0123, 0125, 0132, 0134, 0137,			498838 Carburetor (Used After Code Date 97052500 and Before Code Date 97082500). Used on Type No(s). 6167.
								497581 Carburetor (Used Before Code Date 97052600) Used on Type No(s). 6167.
							654	94010 Nut (Carburetor)

★ Included in Engine Gasket Set-Ref. No. 358.
● Included in Carburetor Overhaul Kit-Ref. No. 121.

Ø Included in Valve Gasket Set-Ref. No. 1095.
◆ Included in Carburetor Gasket Set-Ref. No. 977.

★ REQUIRES SPECIAL TOOLS TO INSTALL. SEE REPAIR INSTRUCTIONS MANUAL.



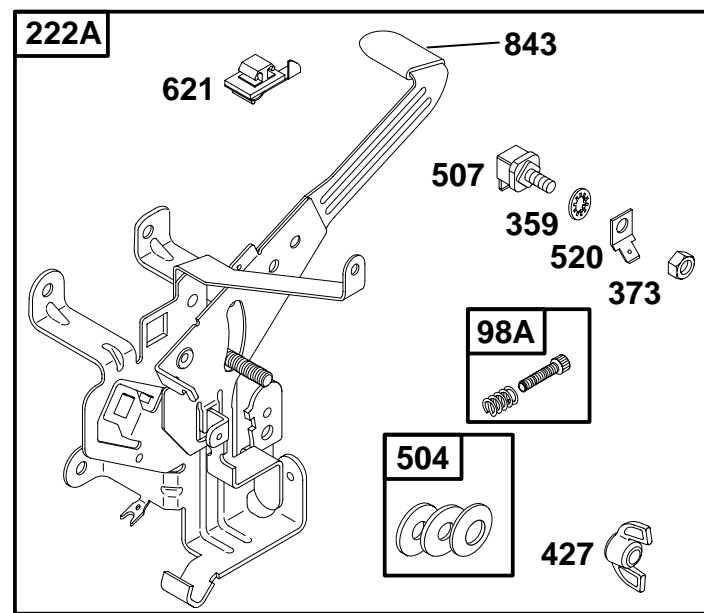
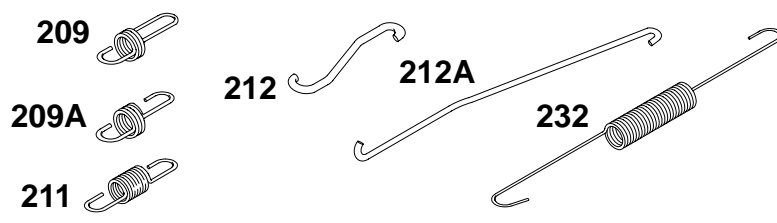
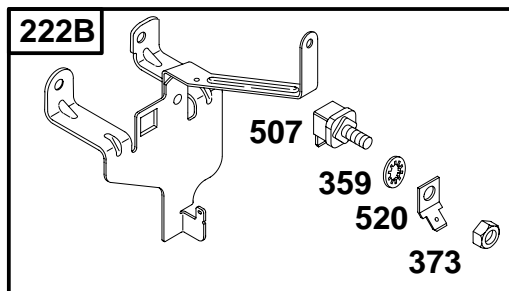
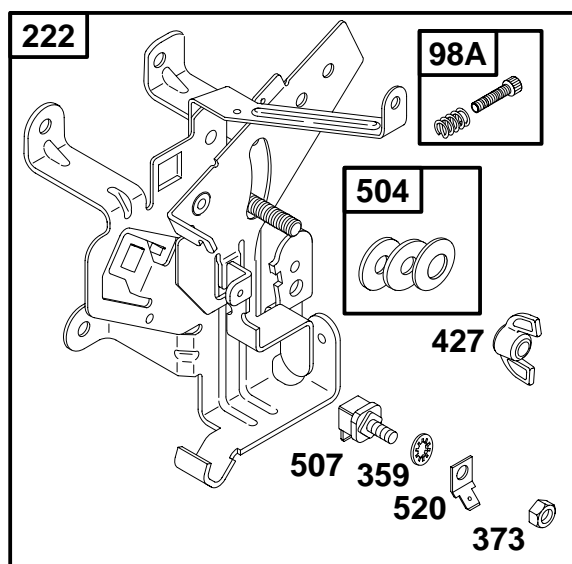
NOTE: SEE NEXT PAGE FOR ADDITIONAL CARBURETOR PARTS INFORMATION

REF. NO.	PART NO.	DESCRIPTION	REF. NO.	PART NO.	DESCRIPTION	REF. NO.	PART NO.	DESCRIPTION
51	●♦272708	Gasket-Intake	133	494381	Float-Carburetor			690006 Nozzle-Carburetor (High Altitude, Used on LMT 204)
93	●690602	Bushing-Throttle Shaft	137	●♦281165	Gasket-Float Bowl			499111 Nozzle-Carburetor (High Altitude, Used on LMT 171)
94	494383	Kit-Idle Mixture	141	497043	Kit-Choke Shaft			497040 Nozzle-Carburetor (High Altitude, Used on LMT 69, 103)
94A	498836	Kit-Idle Mixture	142	693301	Nozzle-Carburetor (Standard - Used On Carburetor 690119)			147 ●497472 Jet-Pilot (Used on LMT 69, 103)
95	●94098	Screw (Throttle Valve)			Note			Note
98	495800	Kit-Idle Speed			690003 Nozzle-Carburetor (Standard, Used On LMT 204)			691258 Jet-Pilot (Used on LMT 119)
104	●690525	Pin-Float Hinge			499094 Nozzle-Carburetor (Standard, Used On LMT 171)	186B	493496	Connector-Hose
105	●231935	Needle-Float Valve			●497196 Nozzle-Carburetor (Standard, LMT 69, 103)	276	●♦281164	Washer-Sealing
106	●231856	Seat-Inlet			693304 Nozzle-Carburetor (High Altitude, Used On Carburetor 690119)	634	●690802	Spring/Seal Assembly (Float Bowl)
		Note				950	94642	Screw (Float Bowl)
		231854 Seat-Inlet Used on Type No(s). 1203.				975	495933	Bowl-Float
108	692344	Vavle-Choke Carburetor				987	●691326	Seal-Throttle Shaft
125		See Previous Page				1091	691333	Cap-Limiter
127	●694524	Plug-Welch				1158	695659	Screw (Carburetor Plug)
130	690468	Vavle-Throttle						
131	693602	Kit-Throttle Shaft (Used After Code Date 94083100).						
131A	497042	Kit-Throttle Shaft (Used Before Code Date 94090100).						

★ Included in Engine Gasket Set-Ref. No. 358.
● Included in Carburetor Overhaul Kit-Ref. No. 121.

Ø Included in Valve Gasket Set-Ref. No. 1095.
♦ Included in Carburetor Gasket Set-Ref. No. 977.

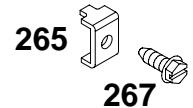
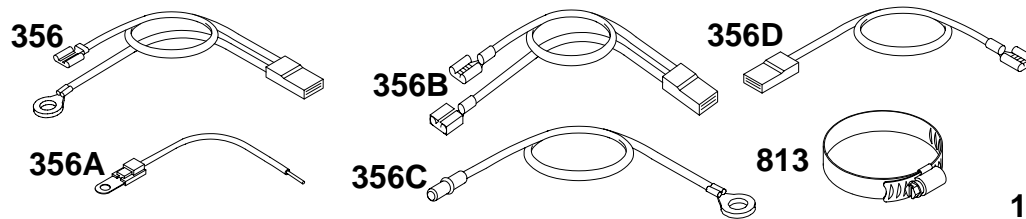
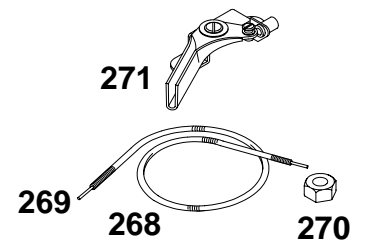
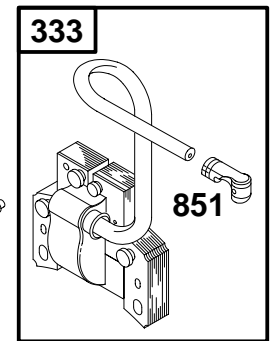
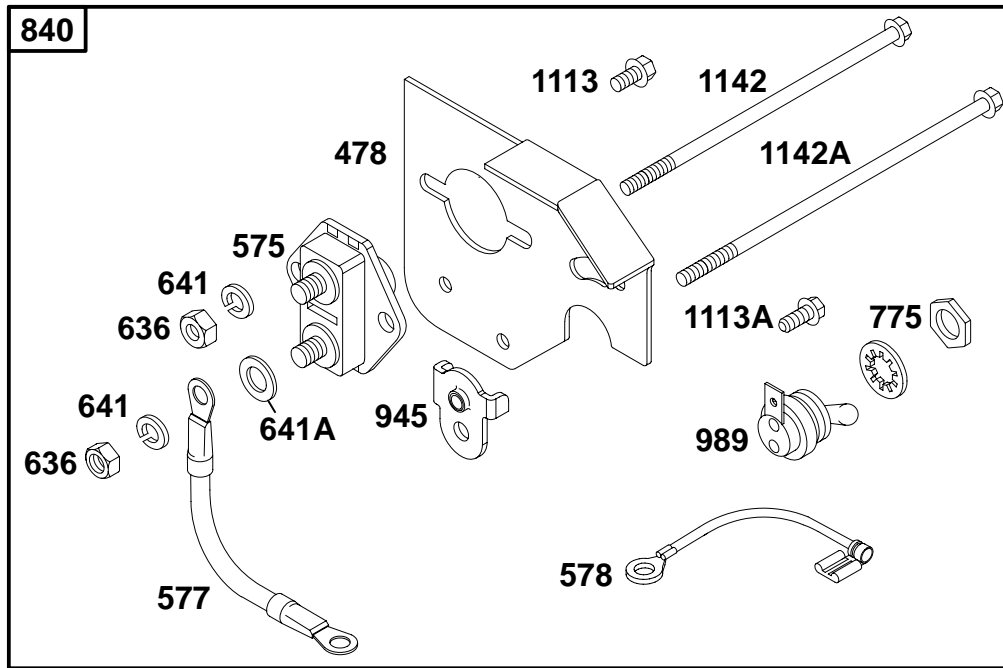
192400 to 192499



REF. NO.	PART NO.	DESCRIPTION	REF. NO.	PART NO.	DESCRIPTION	REF. NO.	PART NO.	DESCRIPTION
98A	493280	Kit-Idle Speed	209A	263054	Spring-Governor (Used After Code Date 94083100 and Before Code Date 97042800).	222A	691478	Bracket-Control
188	94929	Screw (Control Bracket)						Note 499722 Bracket-Control (Used Before Code Date 97042800).
209	691309	Spring-Governor Note 692136 Spring-Governor Used on Type No(s). 0001, 0005, 0006, 0007, 0011, 0070, 0115, 0116, 0133, 0134, 0137, 0140, 0141, 0143, 0152, 0163, 0167, 0168, 0171, 0175, 0177, 0180, 0185, 0186, 0190, 0191, 0195, 0505, 0570, 0616, 0636, 0643, 0667, 0668, 0672, 0673, 0691, 0694, 1005, 1011, 1065, 1070, 1115, 1116, 1136, 1143, 1144, 1167, 1168, 1175, 1186, 1191, 1194, 1195, 1203, 1216.	211	691307	Spring-Governed Idle	222B	694182	Bracket-Control
			212	263049	Link-Throttle (Governor Control Lever to Throttle Shaft)	232	262959	Spring-Governor Link
			212A	262970	Link-Throttle (Linkage Lever to Throttle Shaft)	359	691077	Washer (Ground Terminal)
			222	691480	Bracket-Control (Used After Code Date 97042700). Note 497076 Bracket-Control (Used Before Code Date 97042800).	373	90576	Nut (Ground Terminal)
						427	690355	Nut (Control Bracket)
						504	495659	Washer Set-Friction
						507	398525	Insulator
						520	691084	Terminal-Ground
						621	396847	Switch-Stop
						843	691322	Sleeve-Lever

★ Included in Engine Gasket Set-Ref. No. 358.
● Included in Carburetor Overhaul Kit-Ref. No. 121.

⊙ Included in Valve Gasket Set-Ref. No. 1095.
◆ Included in Carburetor Gasket Set-Ref. No. 977.

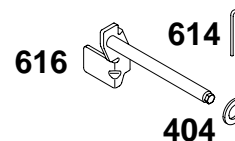
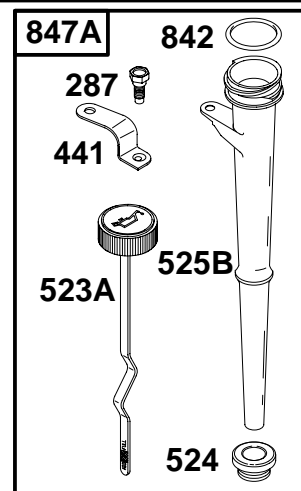
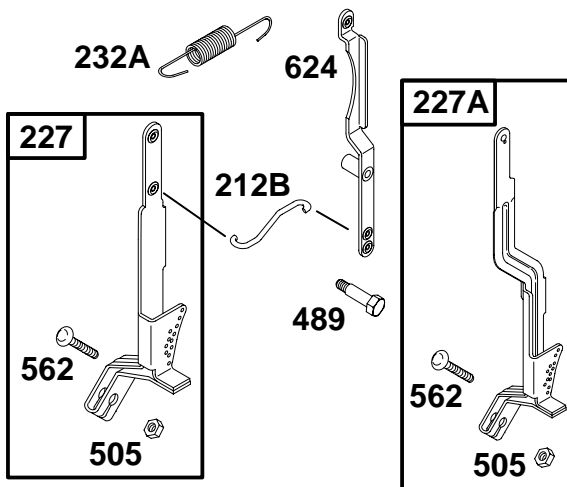
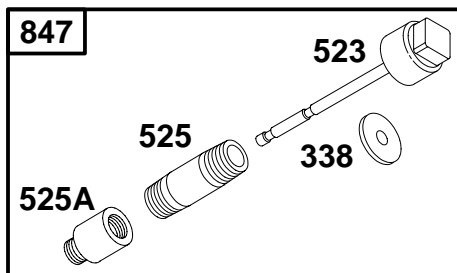
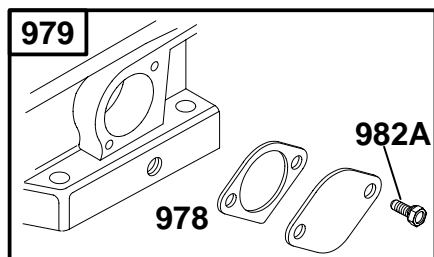
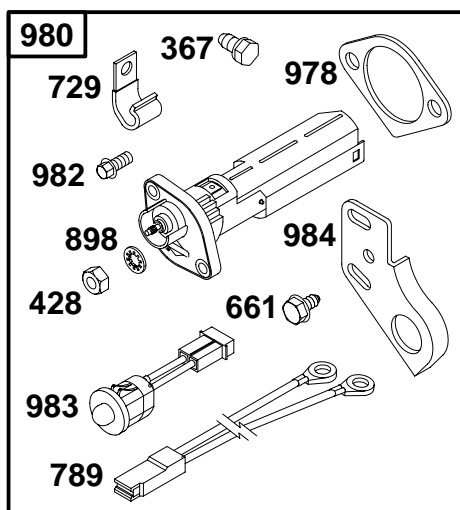


REF. NO.	PART NO.	DESCRIPTION	REF. NO.	PART NO.	DESCRIPTION	REF. NO.	PART NO.	DESCRIPTION
265	221535	Clamp-Casing	356A	691408	Wire-Stop (Jumper Wire)	641A	690282	Washer (Starting Switch)
267	94906	Screw (Casing Clamp)	356B	398838	Wire-Stop (Single Stop Assembly Wire)	775	690315	Nut (Toggle Switch)
268	65616	Casing-Control Wire (Cut to Required Length)	356C	692149	Wire-Stop (Socket/Wire Assembly)	813	690635	Clamp
269	26633	Wire-Control (Cut to Required Length)	356D	491927	Wire-Stop (Terminal Assembly Wire)	840	395408	Kit-Panel
270	63426	Nut (Control Wire Casing)	478	395410	Panel	851	493880	Terminal-Sparkpug
271	290568	Lever-Control	575	299139	Switch-Starting	945	223159	Bracket-Starter Motor
333	398811	Armature-Magneto	577	690630	Cable-Starter	989	496590	Switch-Toggle
334	94731	Screw (Magneto Armature)	578	690647	Wire Assembly	1054	280275	Tie-Cable
356	491391	Wire-Stop (Dual Stop Assembly Wire)	636	92278	Nut (Starting Switch)	1113	93415	Screw (Panel)
			641	691075	Washer (Starting Switch)	1113A	94929	Screw (Panel)
						1142	690323	Screw (Starter Motor Bracket)
						1142A	692329	Screw (Starter Motor Bracket)

★ Included in Engine Gasket Set-Ref. No. 358.
 ● Included in Carburetor Overhaul Kit-Ref. No. 121.

⊙ Included in Valve Gasket Set-Ref. No. 1095.
 ♦ Included in Carburetor Gasket Set-Ref. No. 977.




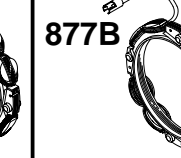
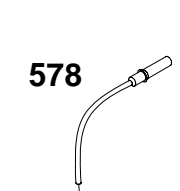
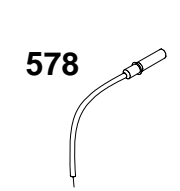
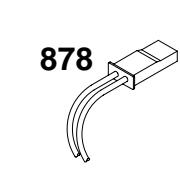
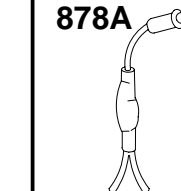
192400 to 192499

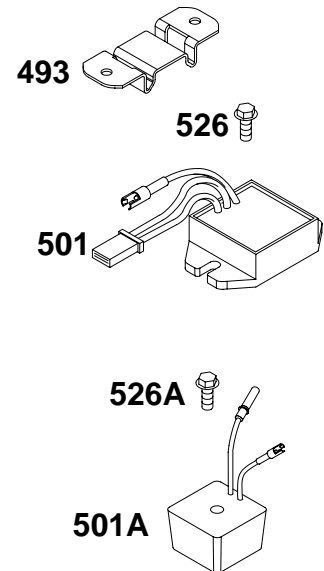


REF. NO.	PART NO.	DESCRIPTION	REF. NO.	PART NO.	DESCRIPTION	REF. NO.	PART NO.	DESCRIPTION
212B	263051	Link—Throttle (Governor Control Lever to Linkage Lever)	367	94627	Screw (Wire Clip)	661	94896	Screw (OIL GARD® Light Bracket)
227	692143	Lever—Governor Control (Short Lever With Governor Idle Eyelet) (Used After Code Date 97042700).	404	94927	Washer (Governor Crank)	729	690430	Clip—Wire
		Note	428	90576	Nut (OIL GARD® Kit)	789	398661	Harness—Wiring
		496254 Lever—Governor Control (Short Lever) (Used Before Code Date 97042800).	441	690501	Bracket—Oil Fill	842	★271170	O—Ring Seal (Dipstick/Tube)
227A	496253	Lever—Governor Control (Long Lever) (Used Before Code Date 94090100).	489	231520	Screw (Linkage Lever)	847	493955	Dipstick/Tube Assembly
232A	263020	Spring—Governor Link	505	231082	Nut (Governor Lever)	847A	399901	Dipstick/Tube Assembly
287	691130	Screw (Dipstick Tube)	523	297357	Dipstick	898	691077	Washer (OIL GARD® Kit)
338	690270	Gasket—Dipstick	523A	691386	Dipstick	978	★273326	Gasket—Oil Gard®
			524	★281370	Seal—Dipstick Tube	979	691382	Cover—Oil Gard®
			525	91258	Tube—Dipstick	980	398182	Kit—Oil Gard®
			525A	691257	Tube—Dipstick	982	690350	Screw (OIL GARD® Kit)
			525B	691389	Tube—Dipstick	982A	690351	Screw (OIL GARD® Cover)
			562	691119	Bolt (Governor Lever)	983	398660	Light—Indicator
			614	93306	Pin—Cotter	984	692340	Bracket—Oil Gard® Light
			616	691405	Crank—Governor			
			624	691415	Lever—Linkage			

★ Included in Engine Gasket Set—Ref. No. 358.
 ● Included in Carburetor Overhaul Kit—Ref. No. 121.

⊙ Included in Valve Gasket Set—Ref. No. 1095.
 ♦ Included in Carburetor Gasket Set—Ref. No. 977.

DC ONLY	10 AMP	DUAL CIRCUIT	TRI-CIRCUIT
SEE FLYWHEEL ASSEMBLY	SEE FLYWHEEL ASSEMBLY	SEE FLYWHEEL ASSEMBLY	SEE FLYWHEEL ASSEMBLY
474 	474A 	474B 	474C 
877A 	877C 	877 	877B 
578 	578 	878 	878A



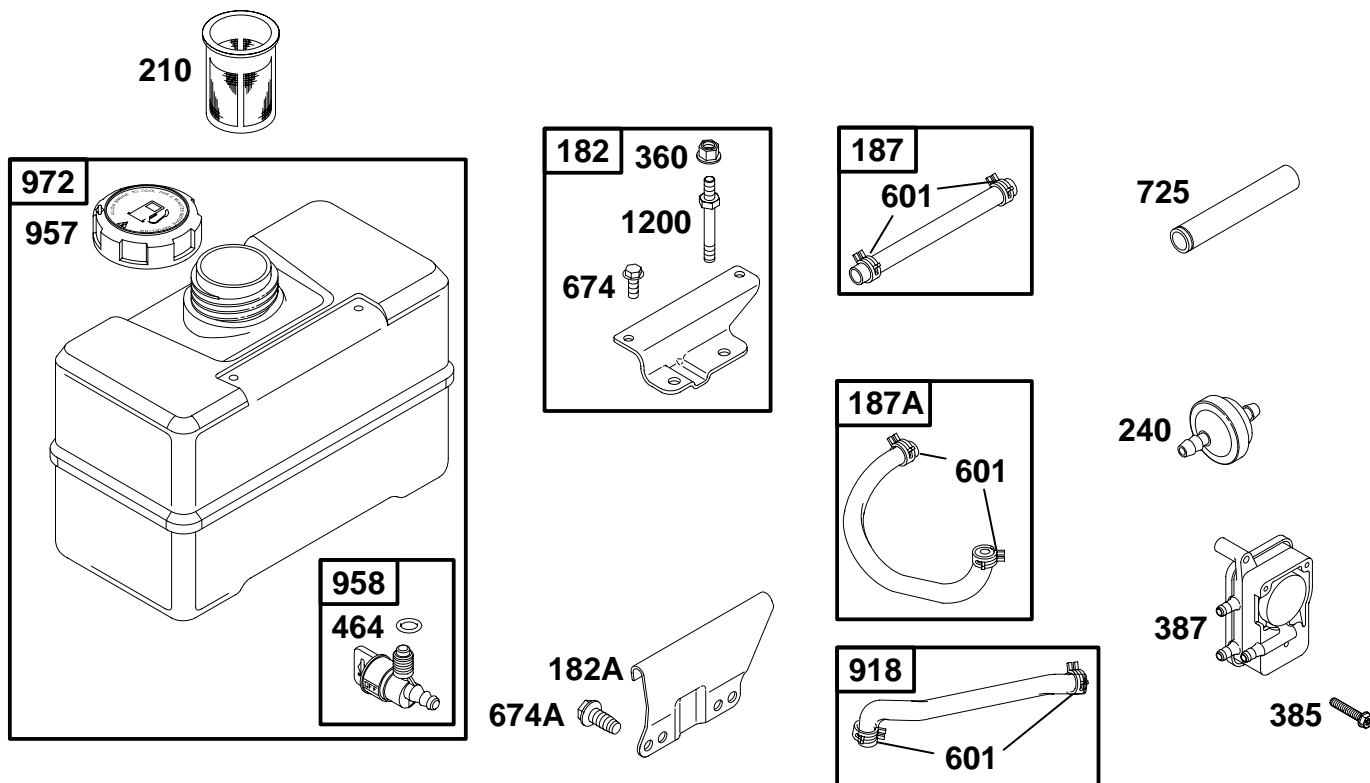
NOTE: ALL STATORS USE NO. 1119 MOUNTING SCREW. 

REF. NO.	PART NO.	DESCRIPTION	REF. NO.	PART NO.	DESCRIPTION	REF. NO.	PART NO.	DESCRIPTION
474	391529	Alternator (DC Only)	526A	690326	Screw (Regulator)	877C	399916	Wire/Connector-Alternator (Dual Lead Without Diode)
474A	393295	Alternator (10 Amp)	578	393422	Wire Assembly	878	393362	Harness-Alternator (Single Socket Without Diode)
474B	393474	Alternator (Dual Circuit)	877	393456	Wire/Connector-Alternator (Dual Lead)	878A	392606	Harness-Alternator (Single Socket Without Diode)
474C	392595	Alternator (Tri-Circuit)	877A	393814	Wire/Connector-Alternator (Single Lead)	1119	93621	Screw (Alternator)
493	691177	Bracket-Mounting	877B	393537	Wire/Connector-Alternator (Single Lead With Diode)			
501	394890	Regulator						
501A	491546	Regulator						
526	690297	Screw (Regulator)						

★ Included in Engine Gasket Set-Ref. No. 358.
● Included in Carburetor Overhaul Kit-Ref. No. 121.

⊘ Included in Valve Gasket Set-Ref. No. 1095.
◆ Included in Carburetor Gasket Set-Ref. No. 977.

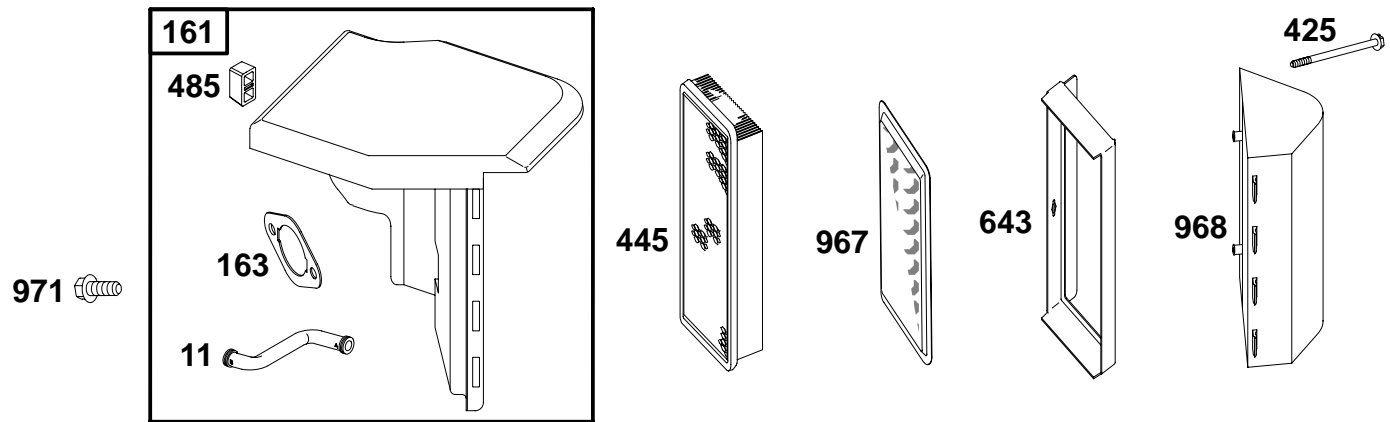
192400 to 192499



REF. NO.	PART NO.	DESCRIPTION	REF. NO.	PART NO.	DESCRIPTION	REF. NO.	PART NO.	DESCRIPTION
182	495664	Bracket-Fuel Tank	240	394358	Filter-Fuel	674A	94627	Screw
182A	694592	Bracket-Fuel Tank (Used After Code Date 99092000).			Note	725	690403	Shield-Heat
		Note			298090 Filter-Fuel			Used on Type No(s). 1203.
		492990 Bracket-Fuel Tank	360	691105	Nut	918	497457	Hose-Vacuum
		(Used Before Code Date 990903000).			(Fuel Tank Bracket)			(Cut to Required Length)
187	296004	Line-Fuel	385	94789	Screw	957	493988	Cap-Fuel Tank
		(Cut to Required Length)			(Fuel Pump)			(Plastic)
187A	497029	Line-Fuel	387	496257	Pump-Fuel	958	399517	Valve-Fuel Shut Off
		(Molded)	601	95162	Clamp-Hose	972	493337	Tank-Fuel
210	691370	Strainer-Fuel	464	280203	O-Ring Seal	1200	94926	Stud
					(Fuel Shut Off Valve)			(Fuel Tank Bracket)
			674	690708	Screw			
					(Fuel Tank Bracket To Fuel Tank)			

★ Included in Engine Gasket Set-Ref. No. 358.
 ● Included in Carburetor Overhaul Kit-Ref. No. 121.

⊘ Included in Valve Gasket Set-Ref. No. 1095.
 ◆ Included in Carburetor Gasket Set-Ref. No. 977.



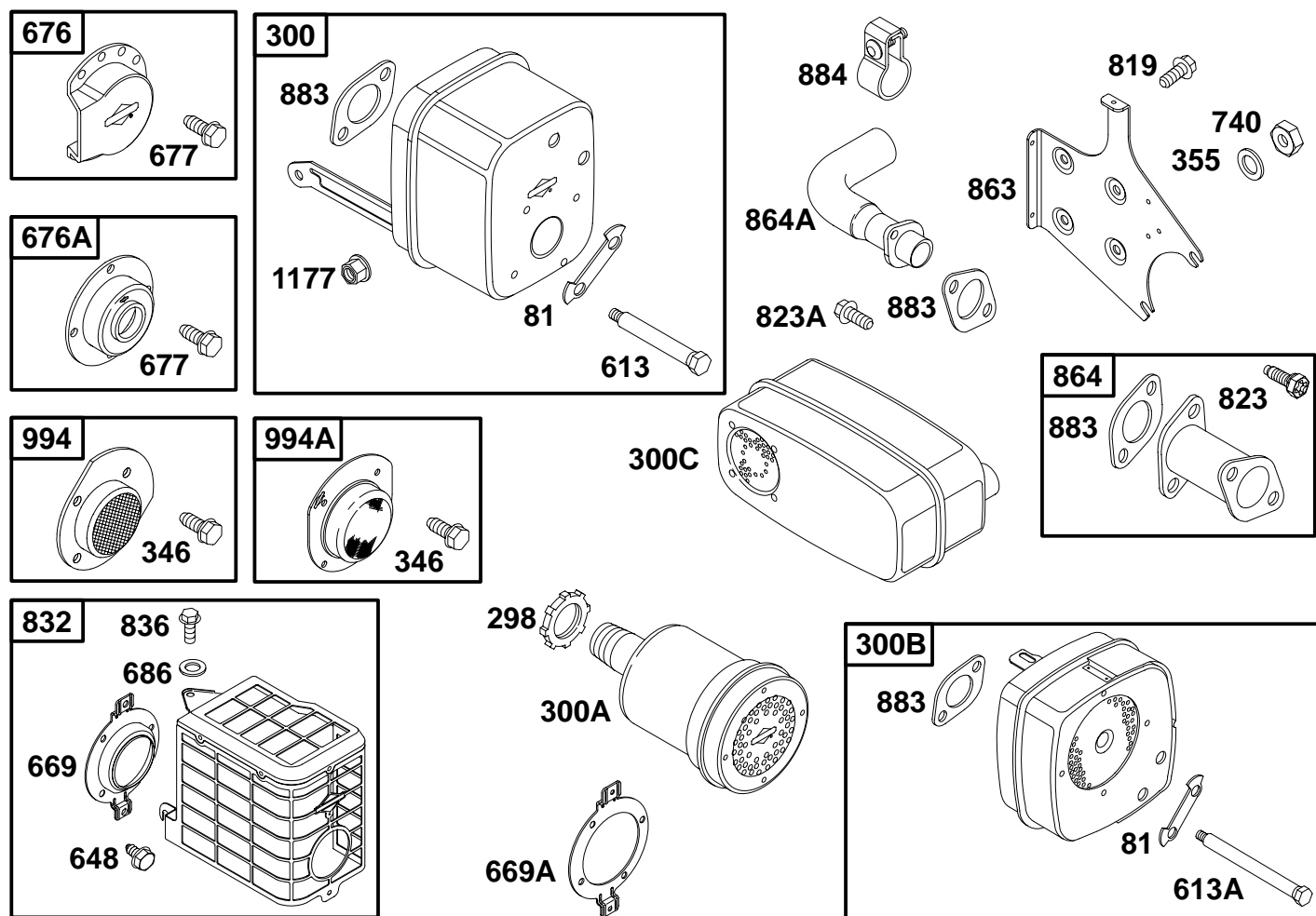
185

REF. NO.	PART NO.	DESCRIPTION	REF. NO.	PART NO.	DESCRIPTION	REF. NO.	PART NO.	DESCRIPTION
11	280819	Tube-Breather (Used After Code Date 95040200).	163	∅★273101	Gasket-Air Cleaner	485	280715	Knob-Control
161	497669	Base-Air Cleaner (Used After Code Date 95010100).	185	94010	Nut (Air Cleaner Base)	643	281358	Retainer-Air Filter
		Note _____	425	94777	Screw (Air Cleaner Cover)	967	492889	Filter-Pre Cleaner
		498544 Base-Air Cleaner (Used Before Code Date 95010200).	445	496077	Filter-Air Cleaner Cartridge	968	281357	Cover-Air Cleaner
						971	94930	Screw (Air Cleaner Base)

★ Included in Engine Gasket Set-Ref. No. 358.
● Included in Carburetor Overhaul Kit-Ref. No. 121.

∅ Included in Valve Gasket Set-Ref. No. 1095.
◆ Included in Carburetor Gasket Set-Ref. No. 977.

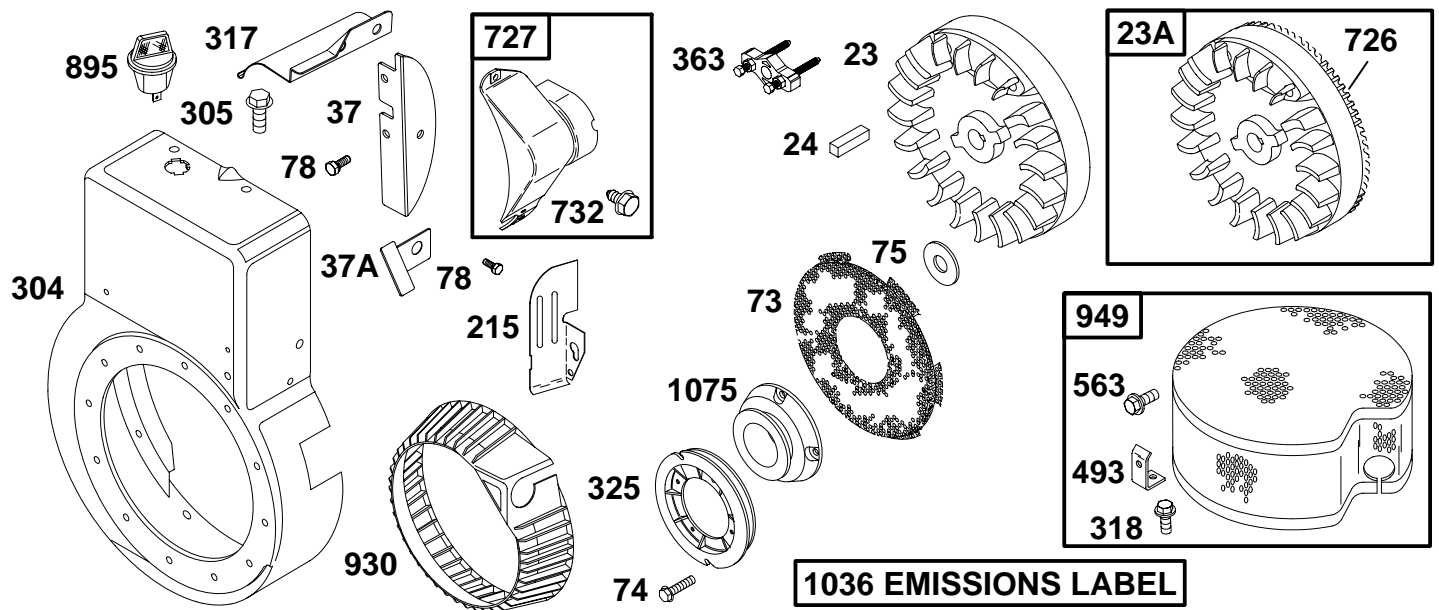
192400 to 192499



REF. NO.	PART NO.	DESCRIPTION	REF. NO.	PART NO.	DESCRIPTION	REF. NO.	PART NO.	DESCRIPTION
81	222263	Lock-Muffler Screw	648	94896	Screw (Muffler Guard Bracket)	740	691105	Nut (Muffler Bracket)
298	261409	Locknut-Muffler/Elbow	669	691228	Bracket-Muffler Guard (Used After Code Date 96042800).	819	94786	Screw (Muffler Bracket)
300	497141	Muffler (Super Lo Tone)	669A	692869	Bracket-Muffler Guard (For Use With Deflectors Only)	823	94706	Screw (Muffler Adapter)
300A	496127	Muffler (Round Lo Tone)	676	393757	Deflector-Muffler (Side Out)	823A	94905	Screw (Muffler Adapter)
300B	391370	Muffler (Lo Tone)			Note	832	691447	Guard-Muffler
300C	498984	Muffler (25 Super Lo Tone)			393761 Deflector-Muffler	836	94786	Screw (Muffler Guard)
346	94896	Screw (Spark Arrester)			Used on Type No(s). 0133, 0175.	863	690454	Bracket-Muffler
355	690310	Washer (Muffler Bracket)	676A	395700	Deflector-Muffler (Direct Out)	864	497140	Adapter-Muffler
613	94054	Screw (Super Lo Tone Muffler)	677	94896	Screw (Muffler Deflector)	864A	690797	Adapter-Muffler
613A	94042	Screw (Lo Tone Muffler)	686	691113	Washer (Cylinder Head)	883	Ø*272309	Gasket-Exhaust
						884	392649	Clamp-Muffler
						994	399541	Arrestor-Spark
						994A	392390	Arrestor-Spark
						1177	691105	Nut (Muffler Bracket)

★ Included in Engine Gasket Set-Ref. No. 358.
 ● Included in Carburetor Overhaul Kit-Ref. No. 121.

⊙ Included in Valve Gasket Set-Ref. No. 1095.
 ♦ Included in Carburetor Gasket Set-Ref. No. 977.

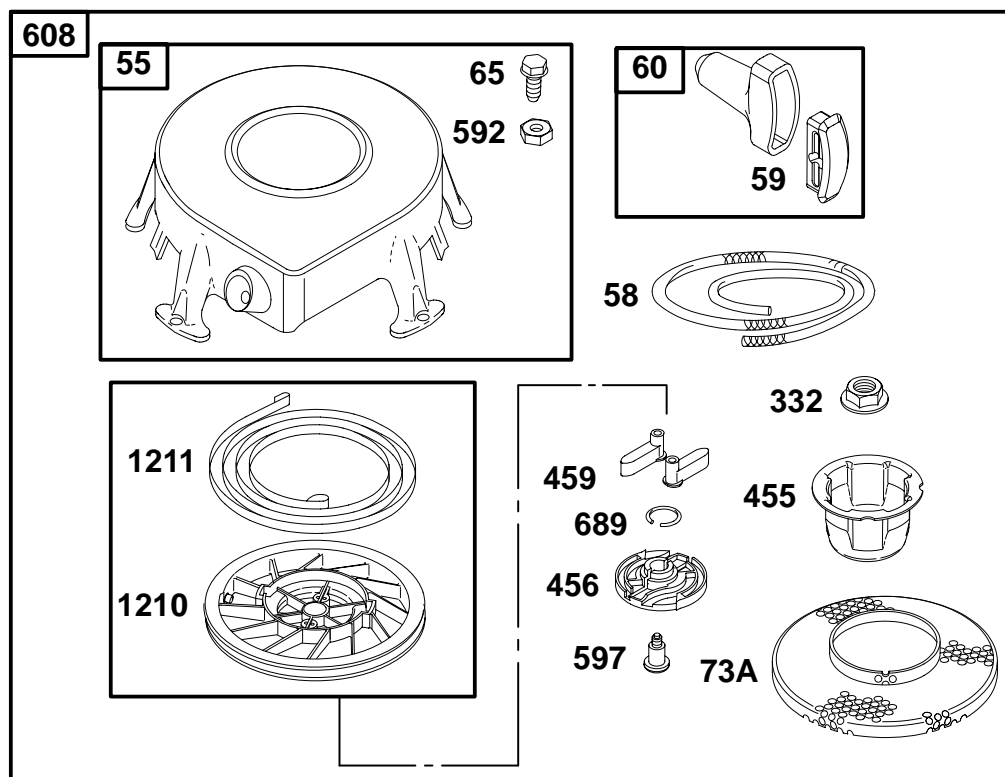


REF. NO.	PART NO.	DESCRIPTION	REF. NO.	PART NO.	DESCRIPTION	REF. NO.	PART NO.	DESCRIPTION
23	690615	Flywheel (Rewind Start)				930	280685	Guard-Rewind Note 692930 Guard-Rewind
23A	691354	Flywheel (Electric Start)			Used on Type No(s). 0125, 0161, 0625, 0654, 1125, 1148, 1161.			Used on Type No(s). 0122, 0125, 0622, 0625, 1122, 1125.
24	222698	Key-Flywheel				949	397530	Guard-Debris Screen
37	690411	Guard-Flywheel				1036	695696	Label-Emissions (Used After Code Date 00063000). Note 694988 Label-Emissions (Used After Code Date 9909300 and Before Code Date 00070100). 694313 Label-Emissions (Used Before Code Date 99100100 and After Code Date 98123100). 499354 Label-Emissions (Used Before Code Date 99010100 and After Code Date 97052500). 499353 Label-Emissions (Used Before Code Date 97052600).
37A	690488	Guard-Flywheel						
73	224874	Screen-Rotating						
74	93758	Screw (Rotating Screen)			Used on Type No(s). 0122, 0156, 0622, 0656, 1122.			
		Note 94928 Screw (Rotating Screen) Used on Type No(s). 0122, 0125.	305	94786	Screw (Blower Housing)			
75	225136	Washer (Flywheel)	317	692860	Cover-Starter			
78	690364	Screw (Flywheel Guard)	318	93067	Screw (Mounting Bracket)			
215	691170	Guide-Air	325	280457	Pulley-Starter Rope			
304	491596	Housing-Blower Note 491592 Housing-Blower Used on Type No(s). 0001, 0006, 0025, 0041, 0115, 0131, 0141, 0171, 0191, 0525, 0541, 0670, 0673, 0691, 0694, 1025, 1041, 1115, 1131, 1144, 1191, 1194, 1203, 1212, 1218, 1221.	363	19203	Flywheel Puller			
			493	692825	Bracket-Mounting			
			563	94902	Screw (Debris Screen Guard)			
			726	399676	Gear-Ring			
			727	395405	Cover-Starter Drive Note 497169 Cover-Starter Drive Used on Type No(s). 0125, 0161, 0625, 0654, 1125, 1148, 1161.			
			732	691097	Screw (Starter Drive Cover)			
			895	396691	Switch-Rotary			
						1075	691158	Pulley-Crankshaft

★ Included in Engine Gasket Set-Ref. No. 358.
● Included in Carburetor Overhaul Kit-Ref. No. 121.

⊙ Included in Valve Gasket Set-Ref. No. 1095.
◆ Included in Carburetor Gasket Set-Ref. No. 977.

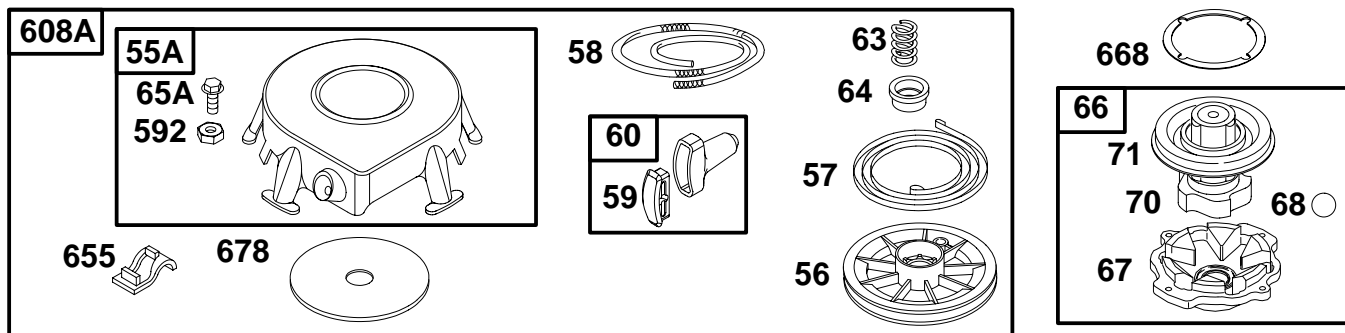
192400 to 192499



REF. NO.	PART NO.	DESCRIPTION	REF. NO.	PART NO.	DESCRIPTION	REF. NO.	PART NO.	DESCRIPTION
55	693904	Housing-Rewind Starter (Used After Code Date 99022800).	73B	694020	Screen-Rotating (Used with 99" Rope) (Used After Code Date 99022800).	592	94908	Nut (Rewind Starter)
58	66884	Rope-Starter (63" Length, Cut to Required Length)	332	693899	Nut (Flywheel) (Used After Code Date 99022800).	597	94943	Screw (Pawl Friction Plate) (Used After Code Date 99022800).
58A	66894	Rope-Starter (99" Length, Cut to Required Length)	455	693902	Cup-Flywheel (Used After Code Date 99022800).	608	693900	Starter-Rewind (63" Length Rope) (Used After Code Date 99022800).
59	490653	Insert-Grip	455A	694017	Cup-Flywheel (Used with 99" Rope) (Used After Code Date 99022800).	689	263073	Spring-Friction (Used After Code Date 99022800).
60	490652	Grip-Starter Rope	456	281503	Plate-Pawl Friction (Used After Code Date 99022800).	1210	498144	Pulley/Spring Assembly (Pulley) (Used After Code Date 99022800).
65	94904	Screw (Rewind Starter) (Used After Code Date 99022800).	459	281505	Pawl-Ratchet (Used After Code Date 99022800).	1211	498144	Pulley/Spring Assembly (Spring) (Used After Code Date 99022800).
73A	693905	Screen-Rotating (Used After Code Date 99022800).						

★ Included in Engine Gasket Set-Ref. No. 358.
● Included in Carburetor Overhaul Kit-Ref. No. 121.

⊙ Included in Valve Gasket Set-Ref. No. 1095.
◆ Included in Carburetor Gasket Set-Ref. No. 977.

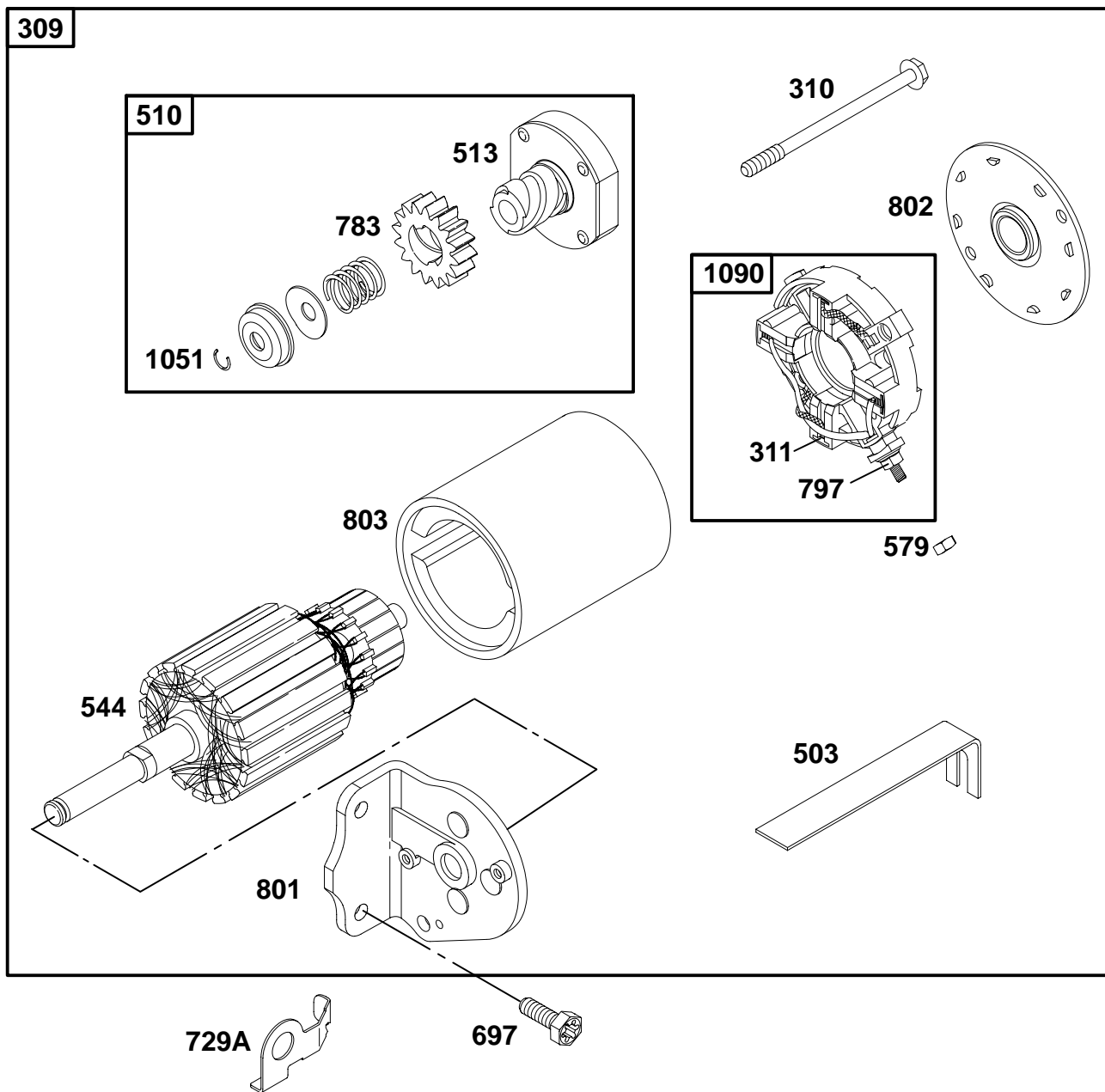


REF. NO.	PART NO.	DESCRIPTION	REF. NO.	PART NO.	DESCRIPTION	REF. NO.	PART NO.	DESCRIPTION
55A	393576	Housing–Rewind Starter (Used Before Code Date 99030100). ———— Note ———— 393576 Housing–Rewind Starter Used on Type No(s). 1122, 1125.	65A	94686	Screw (Rewind Starter) (Used Before Code Date 99030100). ———— Note ———— 94686 Screw (Rewind Starter) Used on Type No(s). 1122, 1125.	71	691359	Cover–Ratchet (Used Before Code Date 99030100). ———— Note ———— 298799 Ratchet–Clutch Used on Type No(s). 1122, 1125.
56	295871	Pulley–Starter (Used Before Code Date 99030100). ———— Note ———— 295871 Pulley–Starter Used on Type No(s). 1122, 1125.	66	399671	Clutch–Starter (Used Before Code Date 99030100). ———— Note ———— 399671 Clutch–Starter Used on Type No(s). 1122, 1125.	592	94908	Nut (Rewind Starter)
57	490179	Spring–Rewind Starter (Used Before Code Date 99030100). ———— Note ———— 490179 Spring–Rewind Starter Used on Type No(s). 1122, 1125.	67	394897	Clutch–Housing (Used Before Code Date 99030100). ———— Note ———— 394897 Clutch–Housing Used on Type No(s). 1122, 1125.	608A	390391	Starter–Rewind (Used Before Code Date 99030100). ———— Note ———— 390391 Starter–Rewind Used on Type No(s). 1122, 1125.
58	66884	Rope–Starter (63" Length, Cut to Required Length)	68	63770	Ball–Clutch (Used Before Code Date 99030100). ———— Note ———— 63770 Ball–Clutch Used on Type No(s). 1122, 1125.	655	222598	Anchor–Rewind Spring (Used Before Code Date 99030100). ———— Note ———— 222598 Anchor–Rewind Spring Used on Type No(s). 1122, 1125.
59	490653	Insert–Grip	70	298799	Ratchet–Clutch (Used Before Code Date 99030100). ———— Note ———— 298799 Ratchet–Clutch Used on Type No(s). 1122, 1125.	668	690500	Spacer (Used Before Code Date 99030100). ———— Note ———— 690500 Spacer Used on Type No(s). 1122, 1125.
60	490652	Grip–Starter Rope				678	490817	Spacer–Rewind (Used Before Code Date 99030100). ———— Note ———— 490817 Spacer–Rewind Used on Type No(s). 1122, 1125.
63	260414	Spring–Ratchet (Used Before Code Date 99030100). ———— Note ———— 260414 Spring–Ratchet Used on Type No(s). 1122, 1125.						
64	281204	Adapter–Ratchet Spring (Used Before Code Date 99030100). ———— Note ———— 281204 Adapter–Ratchet Spring Used on Type No(s). 1122, 1125.						

* Included in Engine Gasket Set–Ref. No. 358.
● Included in Carburetor Overhaul Kit–Ref. No. 121.

⊘ Included in Valve Gasket Set–Ref. No. 1095.
◆ Included in Carburetor Gasket Set–Ref. No. 977.

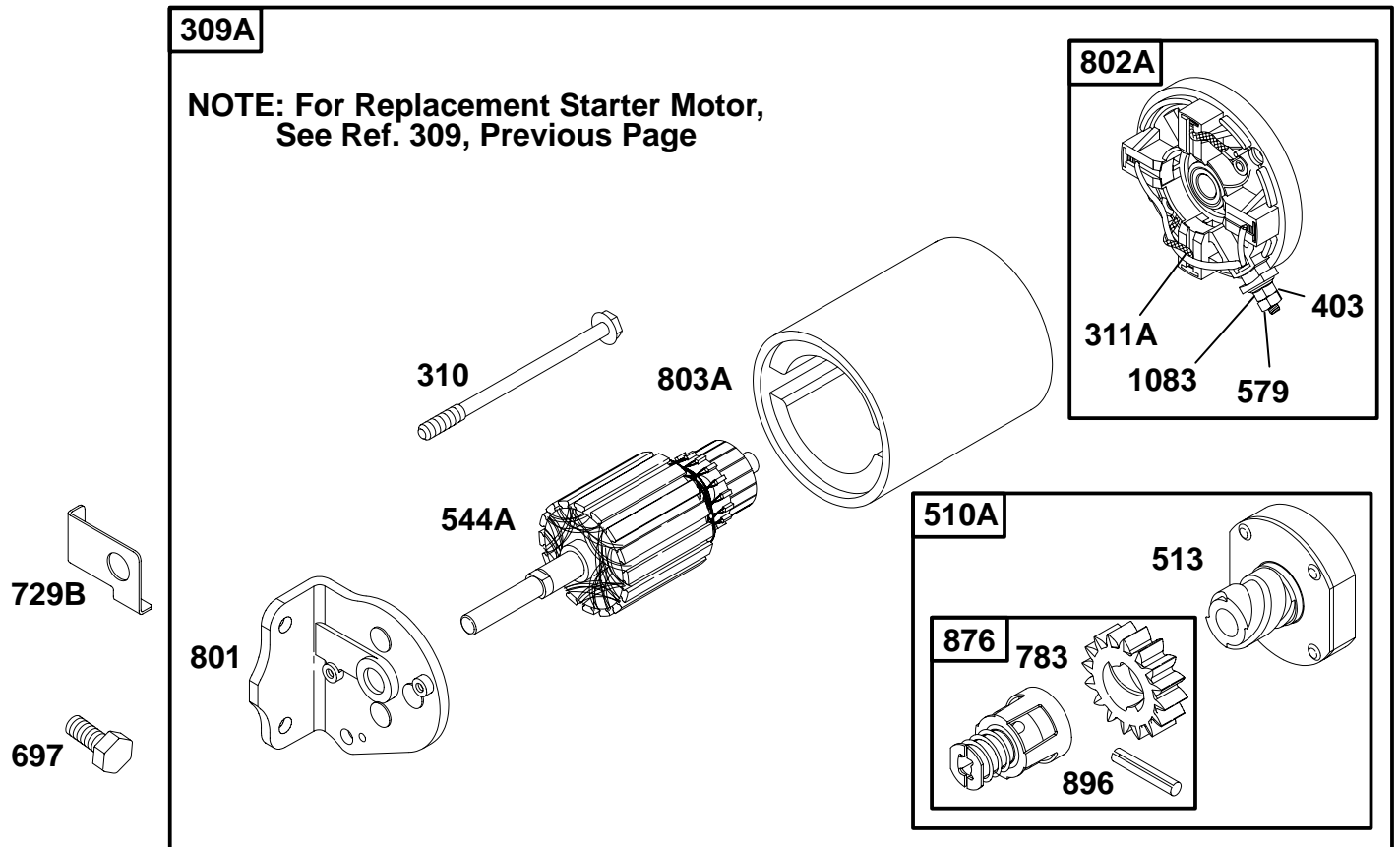
192400 to 192499



REF. NO.	PART NO.	DESCRIPTION	REF. NO.	PART NO.	DESCRIPTION	REF. NO.	PART NO.	DESCRIPTION
309	693054	Motor-Starter	544	497603	Armature-Starter	797	693167	Nut (Brush Retainer)
310	690323	Bolt (Starter Motor)	579	92278	Nut (Starter Cable)	801	691429	Cap-Drive
311	497608	Brush Set	697	94627	Screw (Drive Cap)	802	497607	Cap-End
503	691532	Strap-Starter	729A	691224	Clip-Wire	803	693757	Housing-Starter
510	497606	Drive-Starter	783	693059	Gear-Pinion	1051	263080	Ring-Retaining
513	398003	Clutch-Drive				1090	497605	Retainer-Brush

★ Included in Engine Gasket Set-Ref. No. 358.
 ● Included in Carburetor Overhaul Kit-Ref. No. 121.

⊘ Included in Valve Gasket Set-Ref. No. 1095.
 ◆ Included in Carburetor Gasket Set-Ref. No. 977.

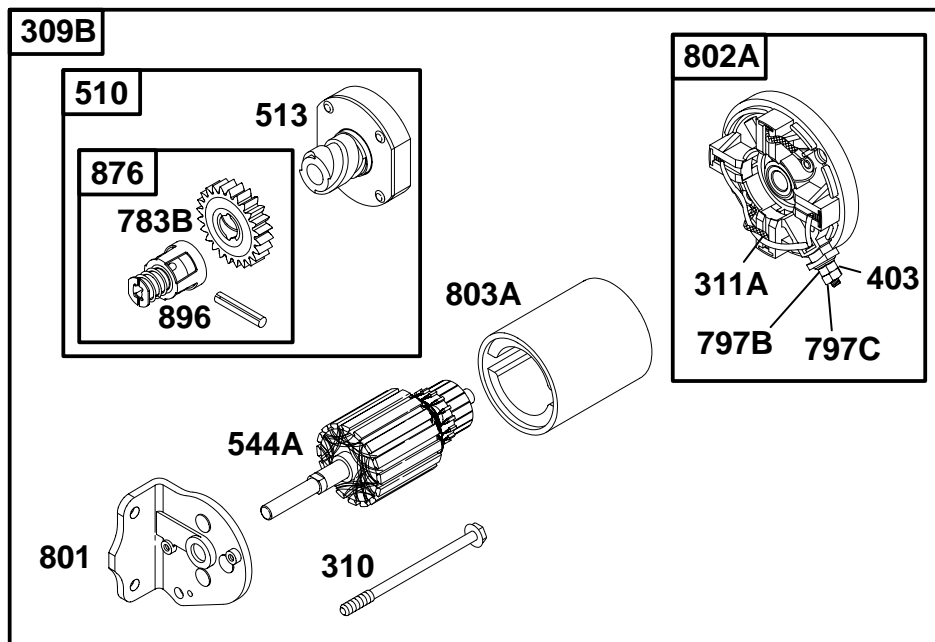


REF. NO.	PART NO.	DESCRIPTION	REF. NO.	PART NO.	DESCRIPTION	REF. NO.	PART NO.	DESCRIPTION
309A		Motor-Starter (For Replacement Starter Motor, See Ref 309, Previous Page.)	510A	495878	Drive-Starter	783	693059	Gear-Pinion
	310	690323 Bolt (Starter Motor 3 5/8 Housing Length)		513	398003 Clutch-Drive	801	691429	Cap-Drive
	311A	395538 Brush Set (3 5/8 Housing Length)		544A	390837 Armature-Starter (3 5/8 Housing Length)	802A	395537	Cap-End (3 5/8 Housing Length)
	403	690288 Washer (End Cap)		579	93715 Nut (Starter Cable)	803A	398159	Housing-Starter (3 5/8 Housing Length)
				697	94627 Screw (Drive Cap)	876	495877	Kit-Pinion Spring
				729B	224723 Clip-Wire	896	94288	Retainer-Drive
						1083	94010	Nut (End Cap)

★ Included in Engine Gasket Set-Ref. No. 358.
● Included in Carburetor Overhaul Kit-Ref. No. 121.

∅ Included in Valve Gasket Set-Ref. No. 1095.
◆ Included in Carburetor Gasket Set-Ref. No. 977.

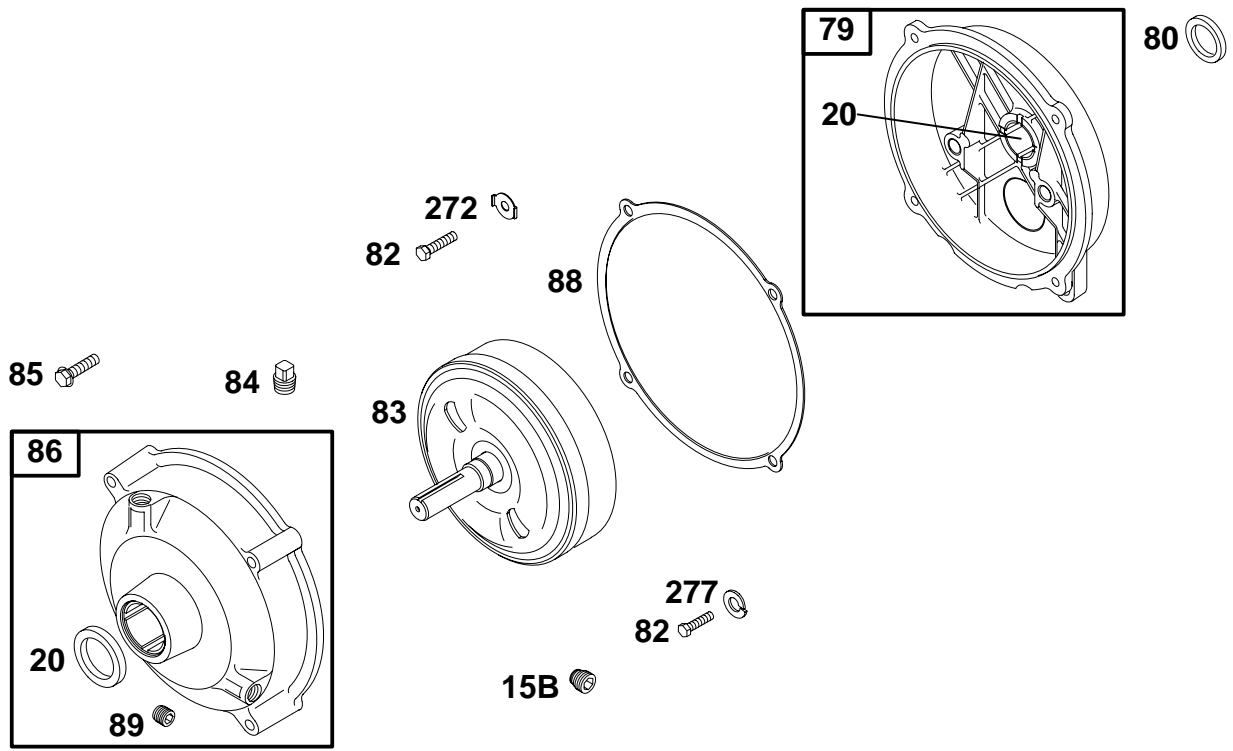
192400 to 192499



REF. NO.	PART NO.	DESCRIPTION	REF. NO.	PART NO.	DESCRIPTION	REF. NO.	PART NO.	DESCRIPTION
309B	498149	Motor-Starter Used on Type No(s). 0125, 0161, 0625, 0654, 1125, 1148, 1161.	403	690288	Washer (End Cap)	797C	94010	Nut (Brush Retainer)
310	690323	Screw (Starter Motor)	510	490768	Drive-Starter	801	691429	Cap-Drive
311A	395538	Brush Set	513	398003	Clutch-Drive	802A	395537	Cap-End
			544A	390837	Armature-Starter	803A	398159	Housing-Starter
			783B	692353	Gear-Pinion	876	495879	Kit-Pinion Spring
			797B	93715	Nut (Brush Retainer)	896	94288	Pin-Drive Retainer

★ Included in Engine Gasket Set-Ref. No. 358.
● Included in Carburetor Overhaul Kit-Ref. No. 121.

∅ Included in Valve Gasket Set-Ref. No. 1095.
◆ Included in Carburetor Gasket Set-Ref. No. 977.

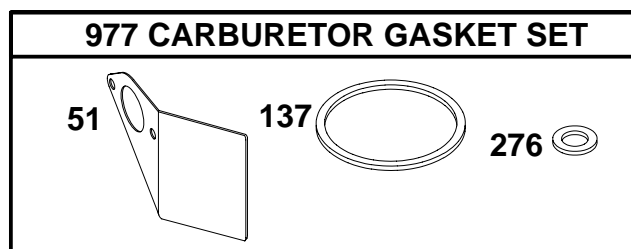
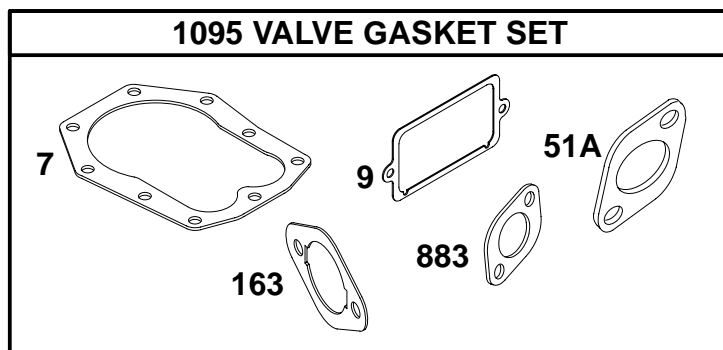
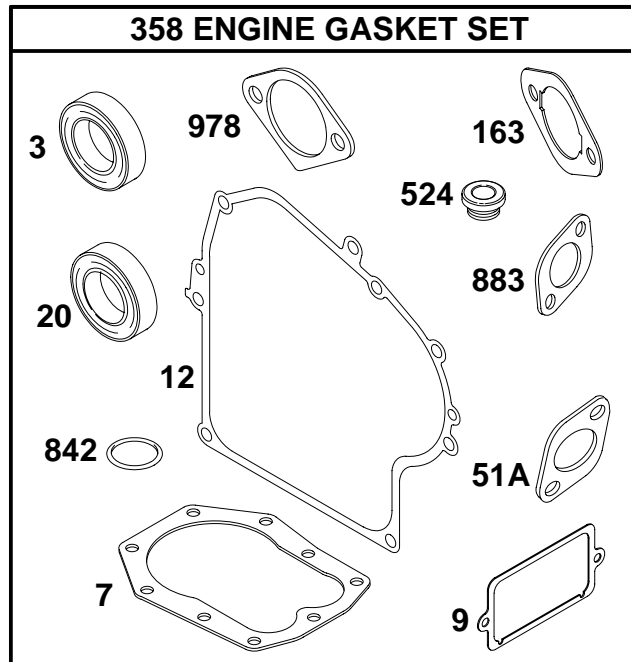
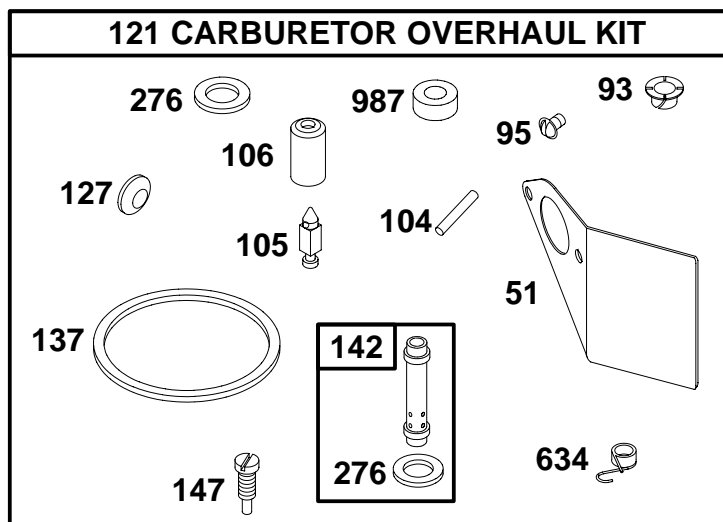


REF. NO.	PART NO.	DESCRIPTION	REF. NO.	PART NO.	DESCRIPTION	REF. NO.	PART NO.	DESCRIPTION
15B	691682	Plug—Oil Drain	83	690387	Shaft—Auxillary Drive	88	27328	Gasket—Gear Reduction Cover
20	★391086	Seal—Oil (PTO Side)	84	691121	Plug—Breather	89	690283	Plug—Oil
79	690614	Case—Gear Reduction	85	691076	Screw (Gear Case to Gear Reduction)	272	691168	Lock—Screw Head
80	27884	Gasket—Gear Case	86	690613	Cover—Gear	277	691075	Washer (Gear Case to Gear Reduction)
82	690287	Screw (Gear Reduction Case)						

★ Included in Engine Gasket Set—Ref. No. 358.
 ● Included in Carburetor Overhaul Kit—Ref. No. 121.

∅ Included in Valve Gasket Set—Ref. No. 1095.
 ◆ Included in Carburetor Gasket Set—Ref. No. 977.

192400 to 192499



REF. NO.	PART NO.	DESCRIPTION	REF. NO.	PART NO.	DESCRIPTION	REF. NO.	PART NO.	DESCRIPTION
3	★391086	Seal—Oil (Magneto Side)	51	◆272708	Gasket—Intake	147	◆497472	Jet—Pilot (Used on LMT 69, 103)
7	∅★272163	Gasket—Cylinder Head	51A	∅★272707	Gasket—Intake	163	∅★273101	Gasket—Air Cleaner
9	∅★27803	Gasket—Breather	93	◆690602	Bushing—Throttle Shaft	276	◆281164	Washer—Sealing
12	★271701	Gasket—Crankcase (.015" Standard)	95	◆94098	Screw (Throttle Valve)	358	497070	Gasket Set—Engine
		Note	104	◆690525	Pin—Float Hinge	524	★281370	Seal—Dipstick Tube
		★27876 Gasket—Crankcase (.005")	105	◆231935	Valve—Float Needle	634	◆690802	Spring/Seal Assembly
		★27877 Gasket—Crankcase (.009")	106	◆231856	Seat—Inlet	842	★271170	O—Ring Seal (Dipstick/Tube)
20	★391086	Seal—Oil (PTO Side)	121	497578	Kit—Carburetor Overhaul	883	∅★272309	Gasket—Exhaust
			127	◆694524	Plug—Welch	977	497069	Gasket Set—Carburetor
			137	◆281165	Gasket—Float Bowl	978	★273326	Gasket—Oil Gard®
			142	◆497196	Nozzle—Carburetor (Standard, LMT 69, 103)	987	◆691326	Seal—Throttle Shaft
						1095	498534	Gasket Set—Valve

★ Included in Engine Gasket Set—Ref. No. 358.
 ◆ Included in Carburetor Overhaul Kit—Ref. No. 121.

∅ Included in Valve Gasket Set—Ref. No. 1095.
 ◆ Included in Carburetor Gasket Set—Ref. No. 977.