

190400 to 190499

Illustrated Parts List

Model Series

190400 to 190499

TYPE NUMBERS
2504 through 2767
2804 through 2882
2900 through 3109
3112 through 3144
3151 through 3158
3213, 3214, 3215,
3219,
4001 through 4015
4020, 4025
5130 through 5187
5501 through 5515
5535, 5537, 5541,
5547, 5549, 5551,
5570, 5572, 5580,
5583.

TO FIND

THE CORRECT NUMBER OF THE PART YOU NEED: FOLLOW THE INSTRUCTIONS BELOW

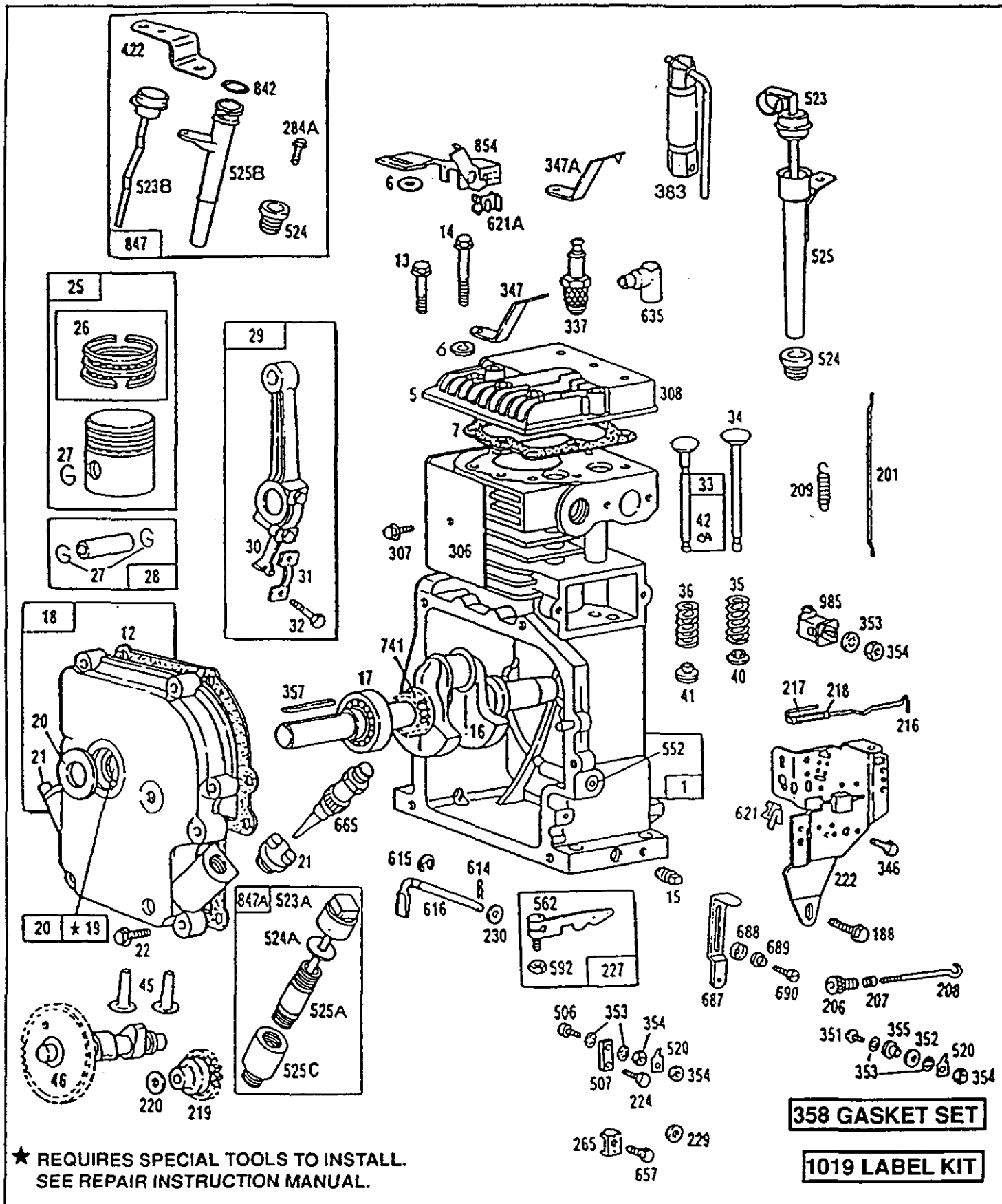
- A. Refer to Engine Model, Type and Code Number that is stamped on the blower housing of engine. Engine type numbers such as 0123 01 are listed only as 0123 in most instances. The two digits (01 or 02, etc.) to the right of the space may be required for more accurate parts identification in some instances. Select the Illustrated Parts List covering the correct Model Series and Type Number.
- B. Refer to the Illustrations and compare the original part with Illustration. The number next to the illustration is the Reference Number. Assemblies include all parts shown in frames. All parts shown in assembly frames having individual reference numbers can be purchased separately.
- C. After the Reference Number has been identified, refer to the Numerical text, where Reference and Primary Part Number are listed. **THE PRIMARY PART IS USED ON ALL TYPE NUMBERS EXCEPT THOSE TYPE NUMBERS UNDER "NOTE."**
- D. If a "Note" appears below the Primary Part Number, it means that this part differs from the Primary Part for certain types. If your Type number is listed under "Note," order the part referred to at the "Note."
- E. If your Engine Type Number does not appear after any part number listed under "Note," use the Primary Part Number.
- F. For Engine Type Numbers not covered by this book, check other Parts Lists having the same engine model or contact your source of supply.

PRINTED IN U.S.A.

COPYRIGHT ©

**BRIGGS & STRATTON**®

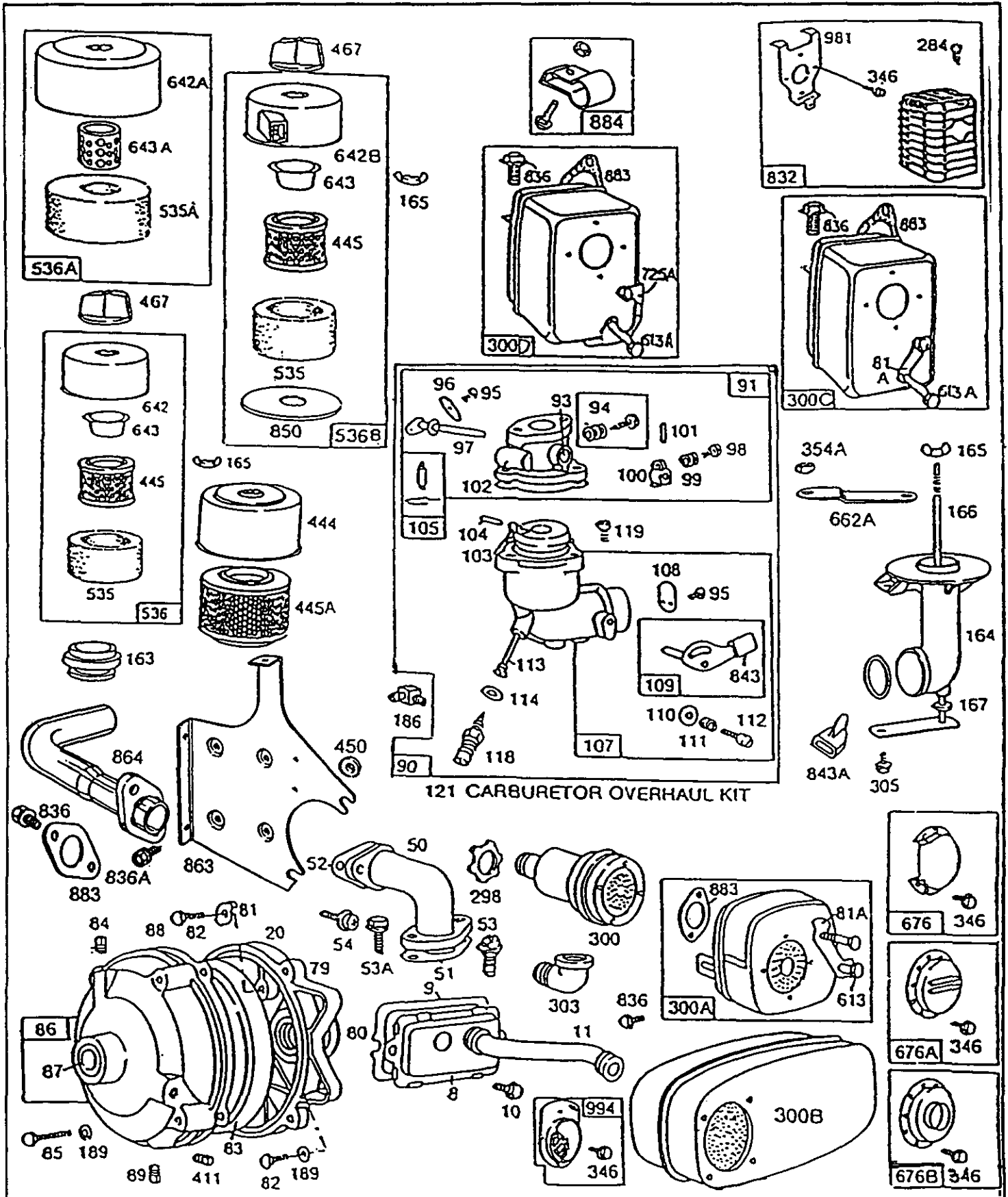
190400 to 190499



★ REQUIRES SPECIAL TOOLS TO INSTALL.
SEE REPAIR INSTRUCTION MANUAL.

358 GASKET SET

1019 LABEL KIT



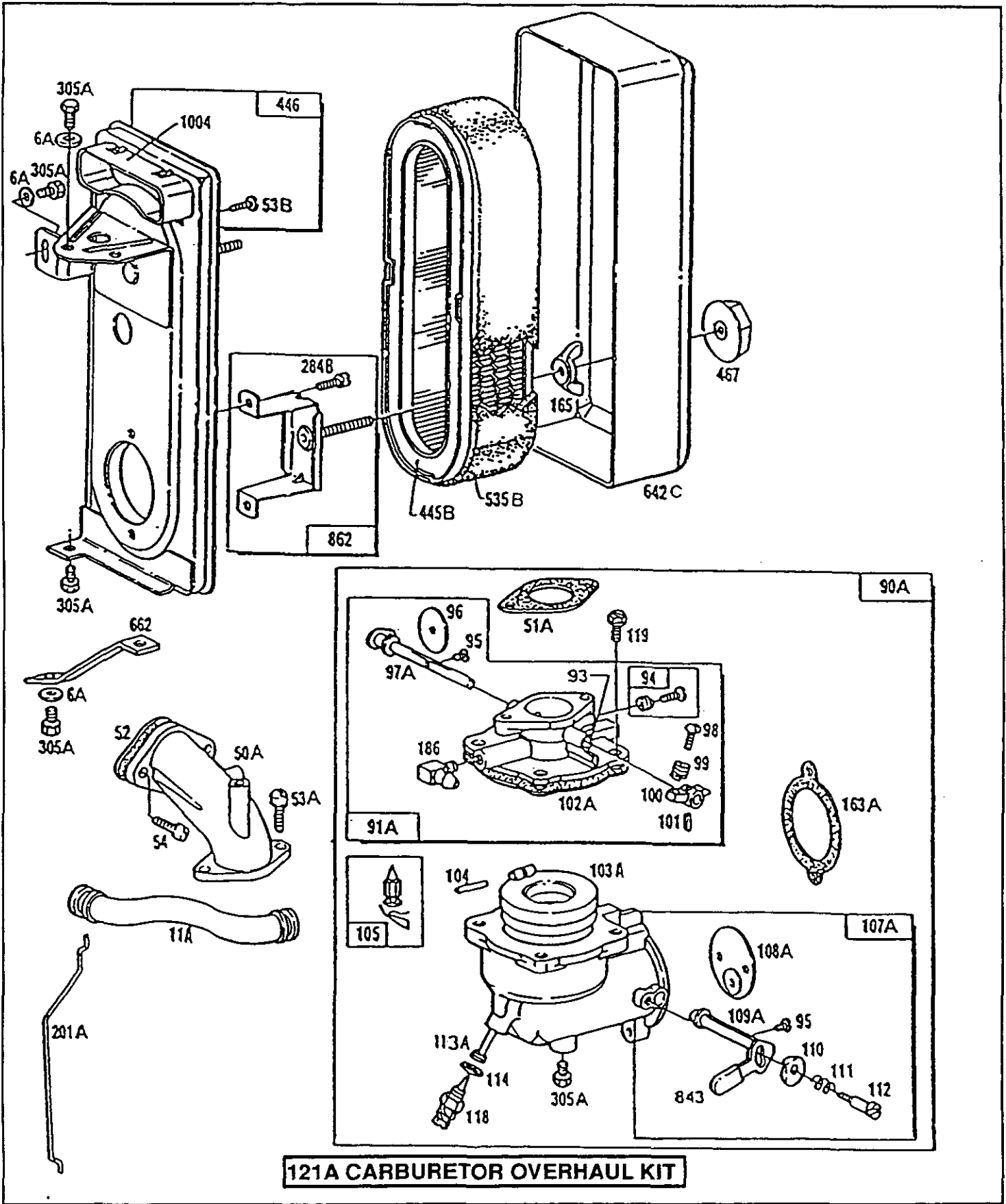
121 CARBURETOR OVERHAUL KIT

8142-3

Assemblies include all parts shown in frames.

112

190400 to 190499



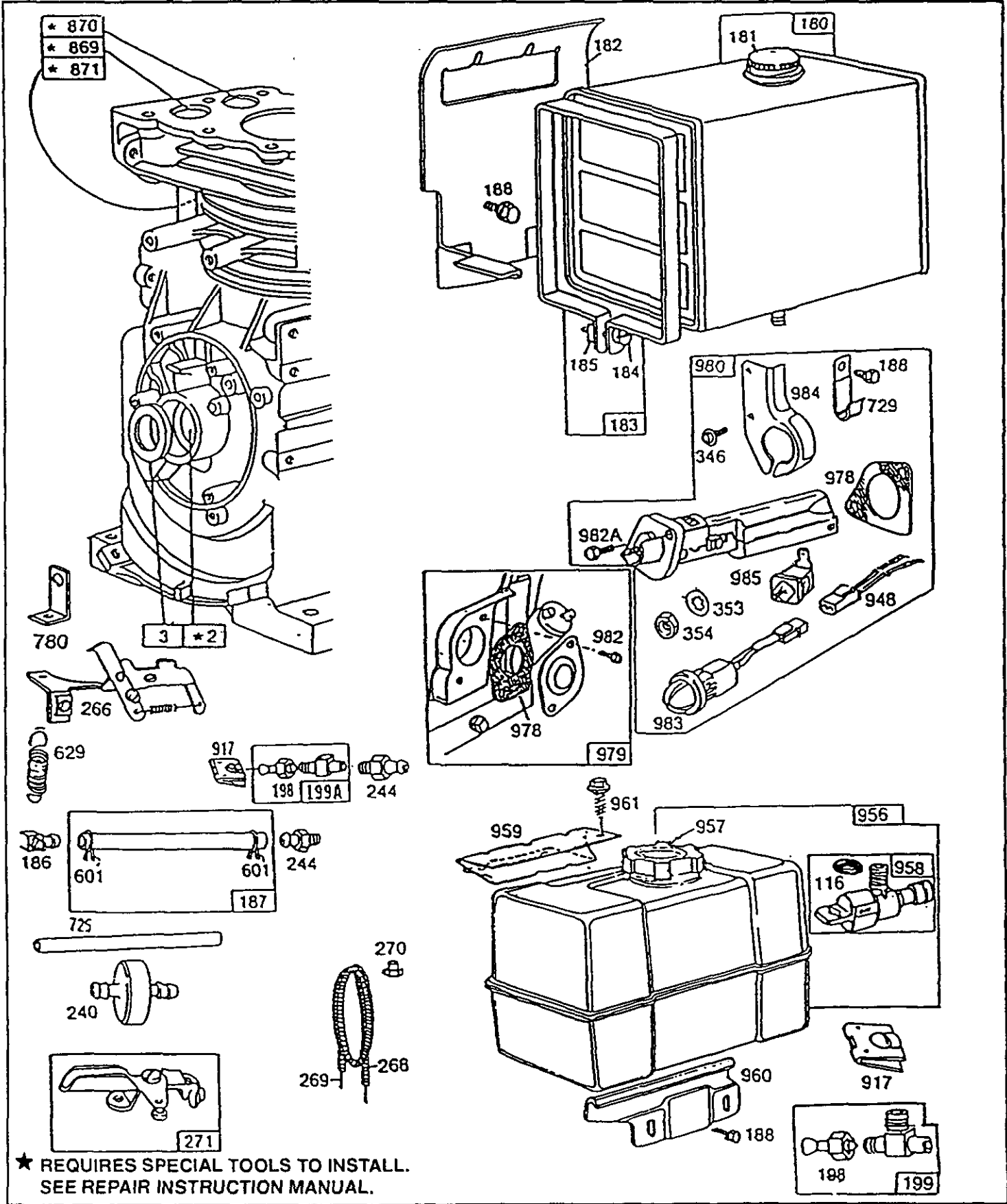
121A CARBURETOR OVERHAUL KIT

8142-4




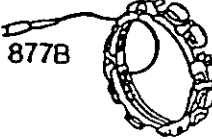
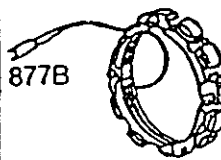
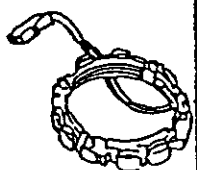

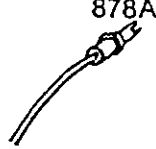
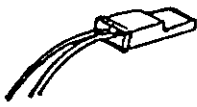
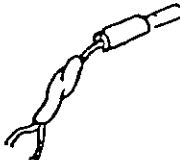



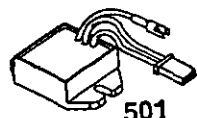
Assemblies include all parts shown in frames.

112

190400 to 190499



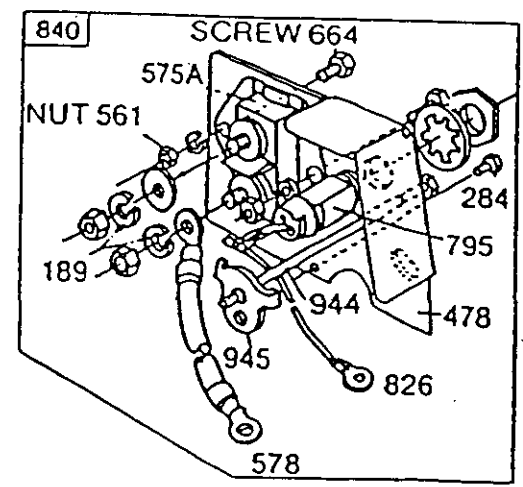
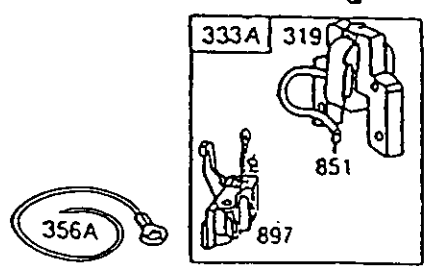
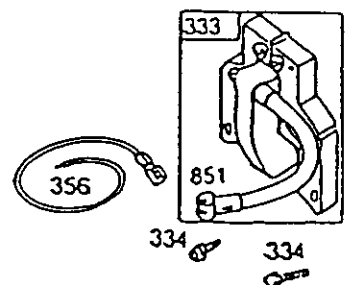
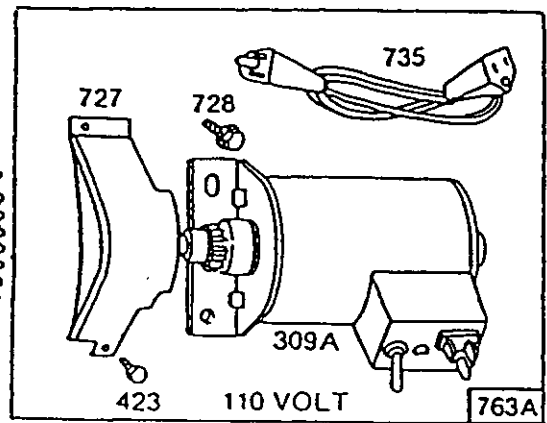
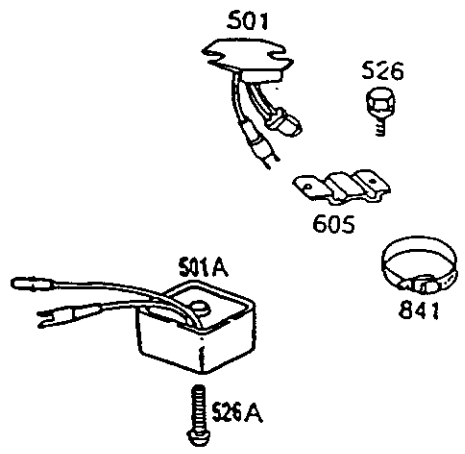
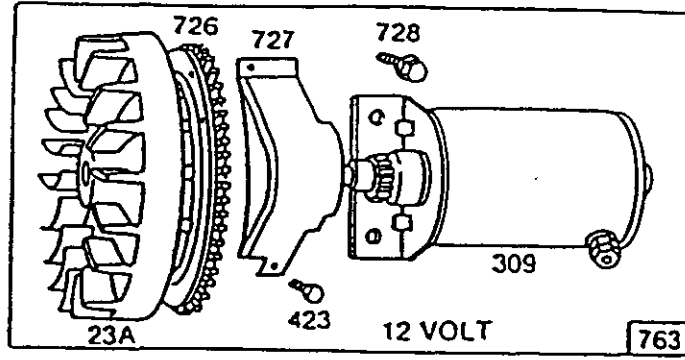
★ REQUIRES SPECIAL TOOLS TO INSTALL.
SEE REPAIR INSTRUCTION MANUAL.

AC Only	DC Only	Dual Circuit	Tri-Circuit	5 Amp	10 Amp
23A	23A	23A	23A	23A	23A
474A 	887 	474 	474B 	474B 	Under Note 474 
814 	878A 	878 	814A 	878A 	878A 
				501A 	501 

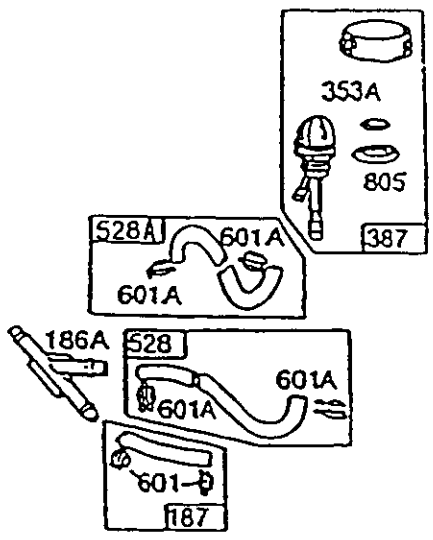
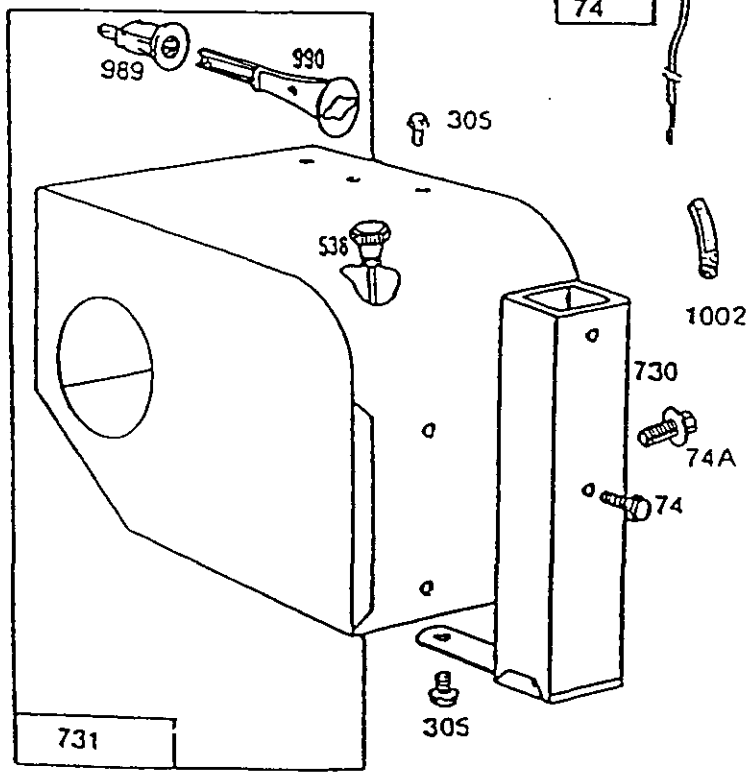
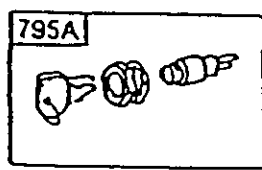
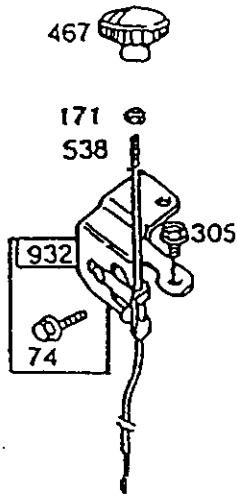
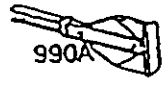
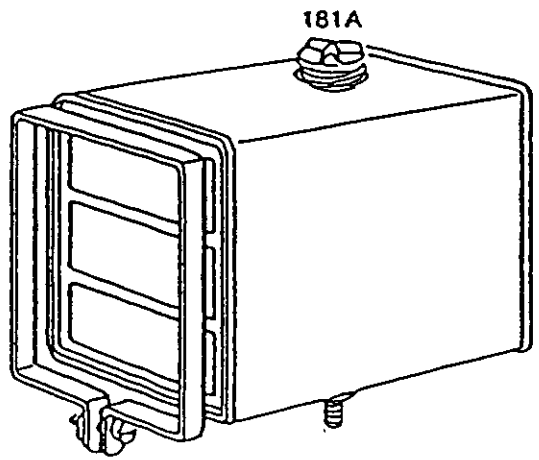
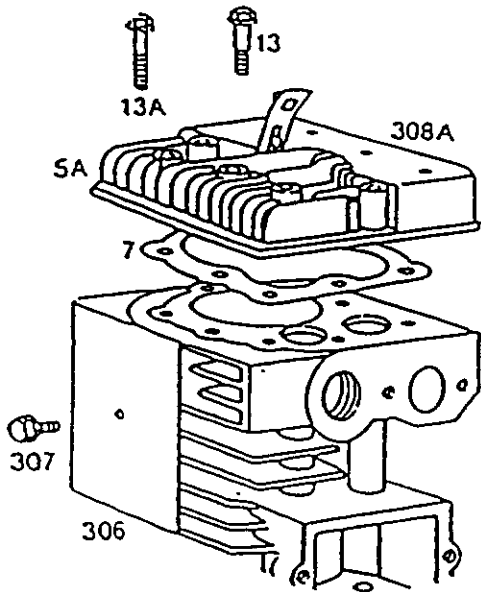
Note: All stators use # 482 Mounting Screw.



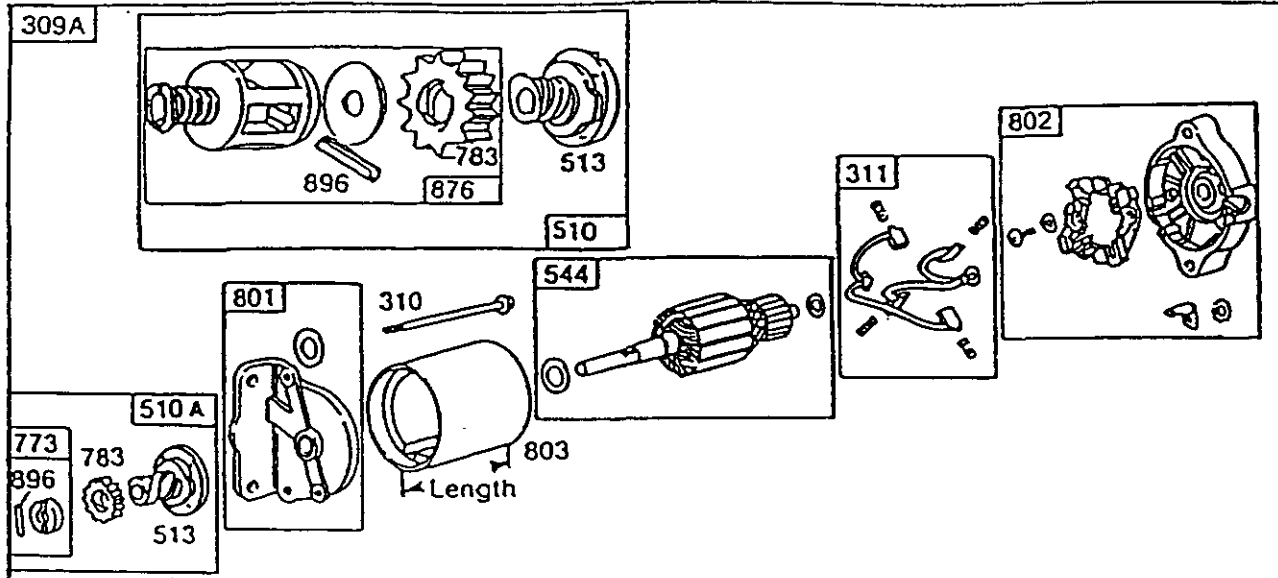
190400 to 190499



SNO-GARD PARTS



190400 to 190499

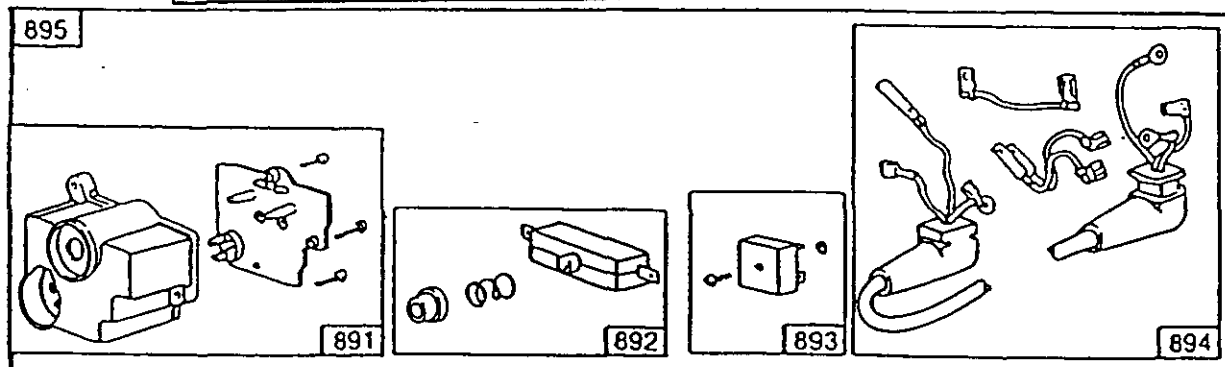


Reference Number		309 & 895	310	311	510	510A	544	801
Manufacturer		Motor and Control Ass'y.	Thru Bolt Assembly	Brush Assembly	Drive Assembly	Drive Assembly	Armature Assembly	Drive End Cap Assembly
Briggs & Stratton	Housing Length							
120V	3-1/2"	396505	93934	393612	490421*	391461**	396505	394398

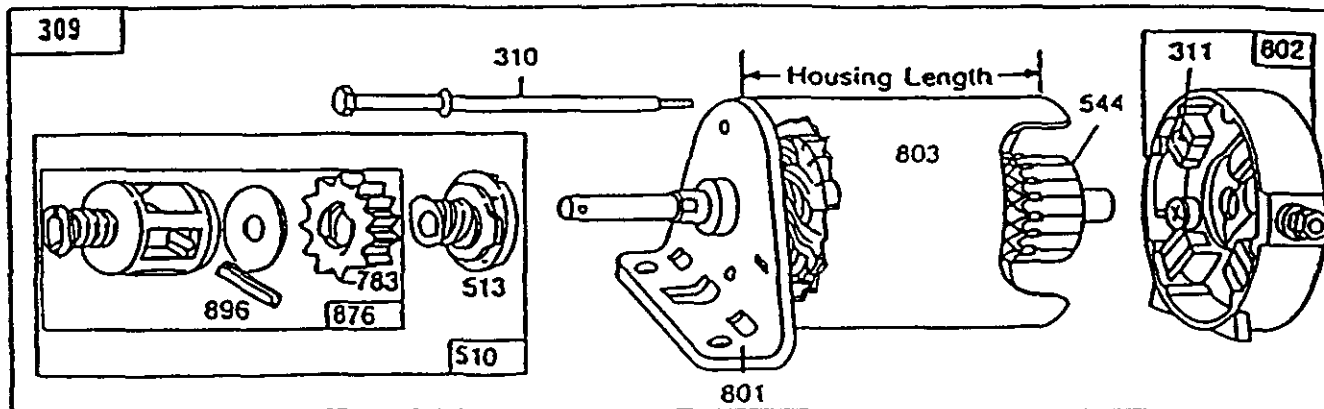
*Includes #398003 Clutch Assembly (Ref. No. 513)
 #280104 Gear (Ref. No. 783)
 #490467 Retainer and Pin (Ref. No. 773)
 # 94288 Roll Pin (Ref. No. 896)

**Includes #398003 Clutch Assembly (Ref. No. 513)
 #280104 Gear (Ref. No. 783)
 #391462 Retainer and Pin (Ref. No. 876)
 # 94192 (Black) or 94288 (Yellow) Roll Pin (Ref. No. 896)

Reference Number	802	803
	Comm. End Cap Ass'y.	Housing Assembly
Code Date		
Before 87040100	393833	394254
After 87033100	491192	491008



Reference Number	891	892	893	894	895
Manufacturer	Housing Group	Switch Group	Rectifier Group	Lead Group	Control Group
Briggs & Stratton					
120V	393705	393708	393707	393706	393486



Reference No.		309	310	311	510	544	801	802	803
Starter Motor Mfr.		Motor & Drive Ass'y.	Thru Bolt	Brush Assembly	Drive Assembly	Armature Assembly	End Cap Assy. Drive	End Cap Assy. Commutator	Housing Assembly
Briggs & Stratton	Housing Length								
12V	3-21/32"	394805	94003	395538	490421**	390837	394856	395537*	398159
United Technologies	Housing Length								
12V	3-15/32"	394805	-	492020	490421**	-	394856	492021*	-

*Includes Brush Set

**Includes #398003 Clutch Assembly (Ref. No. 513)
 #280104 Gear (Ref. No. 783)
 #490467 Retainer Kit (Ref. No. 876)
 # 94192(Black) or 94288(Yellow)Roll Pin (Ref. No. 896)

190400 to 190499

REF. NO.	PART NO.	DESCRIPTION	REF. NO.	PART NO.	DESCRIPTION	REF. NO.	PART NO.	DESCRIPTION
1	396178	Cylinder Assembly	10	94621	Screw-Sem			3109, 3115, 3116,
	Note: 399556	Cylinder Assy. (For OIL GARD®) Used on Type Nos. Above 5099.	11	280267	Tube-Breather			3122, 3132, 3133,
2	295962	Bearing-Cylinder (Plain)		Note: 67068	Tube-Breather			3139, 3140, 3143,
	Note: Requires Special Tools For Installation.				Used on Type Nos. 2504, 2580, 2581, 2582, 2645, 2685, 2688, 2701, 2748, 2882, 2936, 2941, 2971, 2992, 3105, 4006, 4007, 4008, 4009.			3144, 3152, 3153, 3156, 3157, 4001, 4002, 4004, 4005, 4010, 4011, 4015, 4020, 4025, 5137, 5172, 5173, 5180, 5181, 5182, 5184, 5185, 5186, 5187,
3	*294606	Seal-Oil		280733	Tube-Breather			5501, 5502, 5506,
5	212286	Head-Cylinder			Used on Type Nos. 2829, 2910, 2911, 3037, 3043, 3044, 3045, 3047, 3048, 3049, 3051, 3052, 3054, 3059, 3061, 3062, 3063, 3069, 3082, 3083, 3084, 3085, 3086, 3088, 3104, 3106, 3108, 3113, 3119, 3134, 3135, 3136, 3137, 4025, 5144, 5151, 5152, 5159, 5162, 5503.			5509, 5510, 5511, 5513, 5514, 5515, 5537, 5541, 5547, 5549, 5551, 5570, 5572, 5580, 5583.
5A	211778	Head-Cylinder (For Sno-Gard)	11A	280716	Tube-Breather	13A	93113	Screw-Cylinder Head (2-5/16" Long) (For Sno-Gard)
	Note: 212918	Head-Cylinder Used on Type Nos. 2519, 2602, 2753, 2756, 2760, 2763, 2764, 2765, 2766, 2767, 2804, 2819, 2829, 2908, 2910, 2911, 2983, 2994, 2996, 3005, 3007, 3008, 3010, 3011, 3014, 3018, 3037, 3043, 3044, 3045, 3047, 3048, 3049, 3051, 3052, 3054, 3059, 3061, 3062, 3063, 3069, 3082, 3083, 3084, 3085, 3086, 3088, 3104, 3106, 3108, 3113, 3119, 3134, 3135, 3136, 3137, 5144, 5151, 5152, 5159, 5162, 5503.	12	*271701	Gasket-Crankcase Cover (1/64" Thick)		Note: 93583	Stud-Cylinder Head 22963 Washer Used on Type Nos. 2638, 2641, 2765, 3063, 3069.
6	22963	Washer		*27876	Gasket-Crankcase Cover (.005" Thick)			93776 Stud-Cylinder Head
6A	62199	Washer		*27877	Gasket-Crankcase Cover (.009" Thick)			22963 Washer Used on Type No. 2923.
7	*270430	Gasket-Cylinder Hd.	13	94565	Screw-Cylinder Head (2-21/32" Long)	14	93723	Screw-Cylinder Head (3" Long) (1)
8	390321	Breather Assembly		Note: 93776	Stud-Cylinder Head 22963 Washer Used on Type Nos. 2652, 2673, 2676, 2699, 2705, 2711, 2713, 2717, 2718, 2743, 2745, 2761, 2923, 2927, 2933, 2946, 2958, 2961, 2977, 2997, 3004, 3009, 3013, 3020, 3024, 3033, 3057, 3058, 3064, 3066, 3097, 3100, 3107.		Note: 93776	Stud-Cylinder Head 22963 Washer Used on Type Nos. 3063, 3069.
	Note: 294948	Breather Assy. Used on Type Nos. 2582, 2645, 2685, 2688, 2701, 2748, 2882, 2936, 2941, 2971, 2992, 3105, 4006, 4007, 4008.						93781 Stud-Cylinder Head Used on Type No. 2923.
9	*27803	Gasket-Valve Cover						

* Included in Gasket Set-
Part No. 299577.

* Included in Carburetor Overhaul Kit-
See Ref 121.

Included in Carburetor Overhaul Kit-
Part No. 492024.

190400 to 190499

REF. NO.	PART NO.	DESCRIPTION	REF. NO.	PART NO.	DESCRIPTION	REF. NO.	PART NO.	DESCRIPTION
	492470	Crankshaft Used on Type No. 5549.	18	392818	Cover Assembly- Crankcase Used on Model 190401, 190402, 190403, 190406, 190407 Series Engines, Except as Listed Under Note.			3115, 3116, 3118, 3123, 3124, 3129, 3131, 3143, 3154, 3155, 3156, 3157, 3214, 4001, 4004, 4005.
	492471	Crankshaft Used on Type Nos. 3153, 5130, 5131, 5133, 5135, 5136, 5137, 5138, 5139, 5141, 5142, 5143, 5146, 5149, 5150, 5153, 5154, 5155, 5156, 5158, 5163, 5165, 5166, 5171, 5172, 5173, 5174, 5177, 5178, 5179, 5181, 5182, 5185, 5186, 5501, 5502, 5504, 5506, 5508, 5509, 5510, 5511, 5513, 5514, 5515, 5570, 5583.	Note:	397688	Cover Assy.- Crankcase Used on Type Nos. 2721, 2760, 2763, 2983, 2994, 3005, 3006, 3018, 3043, 3044, 3045, 3061, 3082.		391280	Cover Assembly- Crankcase Used on Model 190492, 190493, 190496, 190497 Series Engines.
	492473	Crankshaft Used on Type No. 5162.		299178	Cover Assembly- Crankcase Used on Model 190431, 190432, 190435, 190436, 190437 Series Engines, Except as Listed Under Note.		19	295964 Bushing-Crankcase Cover Note: Requires Special Tools For Installation.
	492474	Crankshaft Used on Type Nos. 2674, 2694, 3026, 3039, 3094.	Note:	399898	Cover Assy.- Crankcase Used on Type Nos. 3051, 3052, 3142, 3219, 5151, 5152, 5159, 5160, 5503.		20	*391086 Seal-Oil Note: 294160 Seal-Oil Use on the Auxiliary P.T.O. Shaft on Model 190492, 190493, 190496, 190497 Series Engines.
	492475	Crankshaft Used on Type Nos. 2721, 2760, 2763, 2983, 3005, 3045, 3082.		299175	Cover Assembly- Crankcase Used on Model 190412, 190415, 190416, 190417, 190451, 190452, 190457 Series Engines, Except as Listed Under Note.		21	66768 Plug-Oil Fill
	493292	Crankshaft Used on Type Nos. 5134, 5144, 5147, 5151, 5152, 5159, 5175, 5183, 5187, 5503, 5535, 5537, 5541, 5580.	Note:	392676	Cover Assy.- Crankcase Used on Type Nos. 2672, 2688, 2689, 2694, 2699, 2705, 2717, 2747, 2750, 2761, 2920, 2933, 2934, 2941, 2946, 3004, 3009, 3024, 3028, 3029, 3030, 3036, 3053, 3056, 3057, 3058, 3076, 3077, 3093, 3094, 3098, 3099, 3105.		22	93585 Screw-Crankcase Cover Mounting Sem Note: 93685 Screw- Crankcase Venting (One at Top) 230998 Connector- Vent Pipe (Impulse Pump) Used on Type No. 2689. 93730 Stud-Crankcase Cover 90366 Lockwasher Used on Type Nos. 2638, 2639, 2640, 2641, 2664, 2740, 2742, 2765, 2962, 3014, 3047, 3060.
	493453	Crankshaft Used on Type Nos. 3118, 3129, 3143.					23	298260 Flywheel-Magneto
	494542	Crankshaft Used on Type Nos. 3118, 3129, 3131.					23A	391983 Flywheel and Ring Gear Assy.-Magneto For Use on Engines WITH ALTERNATOR. (Includes Aluminum Ring Gear.)
17	29530	Bearing-Ball						

* Included in Gasket Set-
Part No. 299577.

• Included in Carburetor Overhaul Kit-
See Ref 121.

◦ Included in Carburetor Overhaul Kit-
Part No. 492024.

190400 to 190499

REF. NO.	PART NO.	DESCRIPTION	REF. NO.	PART NO.	DESCRIPTION	REF. NO.	PART NO.	DESCRIPTION
55	393576	Housing-Rewind Starter		2911, 2983, 2994, 2996, 2999, 3005, 3007, 3008, 3010, 3011, 3014, 3018, 3037, 3043, 3044, 3045, 3047, 3048, 3049, 3051, 3052, 3054, 3059, 3061, 3062, 3063, 3069, 3082, 3083, 3084, 3085, 3088, 3104, 3106, 3108, 3113, 3119, 3134, 3135, 3136, 3137, 5144, 5151, 5152, 5159, 5162, 5503.	78	93805	Screw-Sem	
	Note:	398099 Housing-Rewind Starter Used on Type Nos. 2519, 2602, 2720, 2721, 2753, 2756, 2760, 2763, 2764, 2765, 2766, 2767, 2819, 2829, 2908, 2910, 2911, 2983, 2994, 2996, 2999, 3005, 3007, 3008, 3010, 3011, 3014, 3018, 3037, 3043, 3044, 3045, 3047, 3048, 3049, 3051, 3052, 3054, 3059, 3061, 3062, 3063, 3069, 3082, 3083, 3084, 3085, 3088, 3104, 3106, 3108, 3113, 3119, 3134, 3135, 3136, 3137, 5144, 5151, 5152, 5159, 5162, 5503.	60A	66728	Grip-Starter Rope	84	92617	Plug-Breather
56	295871	Pulley-Rewind Starter	63	260414	Spring-Ratchet	85	91386	Screw-Gear Case Cover Mounting
	Note:	Includes 63" Rope; if Longer Rope is Required, Order Rope No. 66894 and Cut to Required Length.	64	230543	Adapter-Ratchet Spring	86	296053	Cover Assembly-Gear Case
57	490179	Spring-Rewind Starter	65	94128	Screw-Rewind Starter Housing Mounting Sem		Note:	94063 Screw-Sem Used on Type No. 4002.
58	66884	Rope-Rewind Starter (63" Long)	65A	94018	Screw-Hex. Washer Head	87	391086	Seal-Oil
		For Use With Plastic Pulley; if Longer Rope is Needed, Order No. 66894 and Cut to Required Length.	65B	93067	Screw-Hex. Hd. Sem	88	27328	Gasket-Gear Case Cover
59	490653	Insert-Starter Handle	65C	94057	Screw-Guard Retaining	89	91488	Plug-Oil Drain
59A	230228	Pin-Starter Grip	66	399671	Clutch Assembly-Rewind Starter	90	390323	Carburetor Assembly (Manual Choke)
60	490652	Handle-Rewind Starter	67	394897	Housing-Rewind Starter Clutch		Note:	390424 Carburetor Assembly Used on Type Nos. 2582, 2762, 2882, 3096, 3107, 3112, 4006, 4007, 4008.
	Note:	398101 Grip-Starter Rope Used on Type Nos. 2519, 2602, 2720, 2753, 2756, 2760, 2763, 2764, 2765, 2766, 2767, 2819, 2829, 2908, 2910,	68	63770	Ball-Clutch			391889 Carburetor Assembly Used on Type Nos. 2517, 2519, 2630, 2634, 2644, 2646, 2656, 2657, 2720, 2721, 2725, 2738, 2753, 2756, 2760, 2763, 2764, 2767, 2819, 2983, 2994, 2996, 2999, 3005, 3010, 3011, 3018.
			69	66718	Washer-Thrust Starter Clutch,			397482 Carburetor Assembly (Choke-A-Matic®) Used on Type Nos. 2520, 2580, 2581, 2668, 2693, 2697,
			70	298799	Ratchet-Rewind Starter Clutch			
			71	394506	Washer-Clutch Retainer			
			73	221796	Screen-Rewind Starter			
			74	93758	Screw-Sem			
				Note:	94062 Screw-Hex. Washer Head Used on Type No. 4002.			
			74A	93490	Screw-Hex. Head (Sno-Hood To Blower Housing)			
			75	224061	Washer-Spring			
			76	68238	Washer-Ratchet Sealing			

* Included in Gasket Set- Part No. 299577.

• Included in Carburetor Overhaul Kit- See Ref 121.

Included in Carburetor Overhaul Kit- Part No. 492024.

REF. NO.	PART NO.	DESCRIPTION	REF. NO.	PART NO.	DESCRIPTION	REF. NO.	PART NO.	DESCRIPTION
		2711, 2730, 2749, 2820, 2922, 2966, 2998, 3038, 3122, 3215, 4020.	104 •	230896	Pin-Float Hinge			2820, 2922, 2966, 2998, 3038, 3122, 3215, 4020.
		490140 Carburetor Assembly (Primer) Used on Type Nos. 2829, 3043, 3044, 3045, 3048, 3049, 3054, 3061, 3063, 3069, 3082, 3083, 3104, 3119, 3134, 3135, 3136, 3137.	105 •	394681	Valve-Fuel Inlet			399258 Body Assy.- Lower Carburetor Used on Type Nos. 2829, 2910, 2911, 3037, 3043, 3044, 3045, 3047, 3048, 3049, 3051, 3052, 3054, 3059, 3061, 3062, 3063, 3069, 3082, 3083, 3084, 3085, 3086, 3088, 3104, 3106, 3108, 3113, 3119, 3134, 3135, 3136, 3137, 5144, 5151, 5152, 5159, 5162, 5503.
		491864 Carburetor Assembly (Primer) Used on Type Nos. 2910, 2911, 3037, 3047, 3051, 3052, 3059, 3062, 3084, 3085, 3086, 3088, 3106, 3108, 3113, 5144, 5151, 5152, 5159, 5162, 5503.			Note: 394682 Valve- Fuel Inlet (Includes Seat for Gravity Feed Applica- tions).			
90A	490419	Carburetor Assembly			394683 Valve- Fuel Inlet (Includes Seat for Fuel Pump Applications).			
91	399443	Body Assembly- Upper Carburetor (Used After Code Date 84100700).	107	399442	Body Assembly- Lower Carburetor (Used After Code Date 84100700.)	107A	490422	Body Assembly- Lower Carburetor
		Note: 390404 Body Assy.- Upper Carburetor (Used Before Code Date 84100800).			299170 Body Assy.- Lower Carburetor (Used Before Code Date 84100800).			
91A	491560	Body Assembly- Upper Carburetor			Note: 299811 Body Assy.- Lower Carburetor Used on Type Nos. 2582, 2762, 2882, 3096, 3112, 4006, 4007, 4008.	108	62872	Valve-Choke (Used After Code Date 84100700).
93	23108	Bushing-Throttle Shaft			391909 Body Assy.- Lower Carburetor Used on Type Nos. 2517, 2519, 2630, 2634, 2644, 2646, 2656, 2657, 2720, 2721, 2725, 2738, 2753, 2756, 2760, 2763, 2764, 2767, 2819, 2983, 2994, 2996, 2999, 3005, 3010, 3011, 3018.			221835 Valve-Choke (Used Before Code Date 84100800).
94 •	292681	Valve Assembly- Carburetor Idle						Note: 223727 Valve-Choke Used on Type Nos. 2829, 2910, 2911, 3037, 3043, 3044, 3045, 3047, 3048, 3049, 3051, 3052, 3054, 3059, 3061, 3062, 3063, 3069, 3082, 3083, 3084, 3085, 3086, 3088, 3104, 3106, 3108, 3113, 3119, 3134, 3135, 3136, 3137, 5144, 5151, 5152, 5159, 5162, 5503.
95	93499	Screw-Throttle and Choke Valve Mtg. Sem			399444 Body Assy.- Lower Carburetor (Choke-A-Matic®) (Used After Code Date 84100700).	108A	391836	Valve-Choke
96	223370	Valve-Throttle				109	391987	Shaft and Lever-Chok
97	298826	Shaft and Lev.-Throttle						Note: 299452 Shaft and Lever-Choke Used on Type Nos. 2582, 2762, 2882, 3096, 3112, 4006, 4008, 4009.
97A	491484	Shaft and Lever- Throttle						
98	91920	Screw-Fil. Hd.						
99	26157	Spring-Throttle Adj.						
100	212904	Stop-Throttle						
101	93043	Pin-Throttle Stop						
102	•27918	Gasket-Carb. Body						
102A	270268	Gasket-Carb. Body						
103	99333	Float-Carburetor						
103A	298514	Float-Carburetor						

* Included in Gasket Set-
Part No. 299577.

• Included in Carburetor Overhaul Kit-
See Ref 121.

Included in Carburetor Overhaul Kit-
Part No. 492024.

190400 to 190499

REF. NO.	PART NO.	DESCRIPTION	REF. NO.	PART NO.	DESCRIPTION	REF. NO.	PART NO.	DESCRIPTION
	391888	Shaft and Lever-Choke Used on Type Nos. 2517, 2519, 2630, 2634, 2644, 2646, 2656, 2657, 2720, 2721, 2725, 2738, 2753, 2756, 2760, 2763, 2764, 2767, 2819, 2829, 2983, 2994, 2996, 2999, 3005, 3010, 3011, 3018, 3043, 3044, 3045, 3048, 3049, 3054, 3061, 3063, 3069, 3082, 3083, 3104, 3119, 3134, 3135, 3136, 3137, 5144.	118	●○ 99525	Valve-Needle Includes: 22235 Washer-Brass 26336 Spring 65978 O-Ring 394033 Valve-Needle			Note: 295947 Stud-Air Cleaner Used on Type Nos. 2804, 2882, 2936, 2941, 2971, 2992, 3105, 4006, 4007, 4008, 4009.
	396700	Shaft and Lever (Choke-A-Matic®) (Used After Code Date 83121500).	119	94152	Screw-Hex. Hd. Sem Note: 90746 Screw-Machine, Fil. Hd. (10-32 x 5/8") (1) and 92290 Lockwasher (1). Used to Mount No. 221787 Strap to Carb. Used on Type Nos. 2582, 2882, 3096, 3112, 4006, 4007, 4008.			390325 Stud-Air Cleaner Used on Type Nos. 2921, 2944, 2970.
	394509	Shaft and Lever (Choke-A-Matic®) (Used Before Code Date 83121600). Used on Type Nos. 2520, 2580, 2581, 2668, 2693, 2697, 2711, 2730, 2749, 2820, 2922, 2966, 2998, 3038, 3122, 3215, 4020.	121	398235	Carburetor Overhaul Kit (Used After Code Date 84100700). Note: 394693 Carburetor Overhaul Kit (Used Before Code Date 84100800).			392105 Stud-Air Cleaner (Used After Code Date 89060200). 390325 Stud-Air Cleaner (Used Before Code Date 89060300). Used on Type No. 2985. The Following Studs are Used Below Type No. 2800.
109A	490068	Shaft-Choke	121A	492024	Carburetor Overhaul Kit			390325 Stud-Air Cleaner
110	222712	Washer-Choke Lever	163	27907	Gasket-Air Cleaner			Note: 295947 Stud-Air Cleaner
111	28155	Spring-Choke Lever	163A	271910	Gasket-Air Cleaner Mtg.			Used on Type Nos. 2504, 2580, 2581, 2582, 2645, 2685, 2688, 2701, 2748, 2882, 2936, 2941, 2971, 2992, 3105, 4006, 4007, 4008, 4009.
112	23123	Screw-Choke Lever	164	398592	Pipe Assembly-Air Cleaner Uses: 271265 O-Ring Note: 298410 Pipe Assy.-Air Cleaner Used on Type Nos. 2504, 2580, 2581, 2582, 2645, 2685, 2688, 2701, 2748, 2882, 2936, 2941, 2971, 2992, 3105, 4006, 4007, 4008, 4009.			392105 Stud-Air Cleaner Used on Type Nos. 2515, 2525, 2541, 2547, 2549, 2570, 2643, 2650, 2651, 2652, 2655, 2660, 2683, 2697, 2704, 2713, 2715, 2733, 2741, 2757, 2762.
113	● 398202	Nozzle-Carburetor (Used After Code Date 84100700). Note: ● 398039 Nozzle-Carb. (Used Before Code Date 84100800).	165	94289	Nut-Wing The Following Studs are Used Above Type No. 2799.	167	65978	Seal-Air Cleaner Stud
113A	○ 491520	Nozzle-Carburetor	166	392105	Stud-Air Cleaner	171	90356	Nut
114	●○ 68667	Gasket-Nozzle						
116	280203	O-Ring-Fuel Valve						

● Included in Gasket Set-Part No. 299577.

●○ Included in Carburetor Overhaul Kit-See Ref 121.

○ Included in Carburetor Overhaul Kit-Part No. 492024.

190400 to 190499

REF. NO.	PART NO.	DESCRIPTION	REF. NO.	PART NO.	DESCRIPTION	REF. NO.	PART NO.	DESCRIPTION	
209	260695	Spring-Governor Note: 261126 Spring-Governor Used on Type Nos. 2580, 2581, 2582, 2601, 2602, 2630, 2643, 2644, 2645, 2646, 2651, 2658, 2664, 2668, 2669, 2677, 2682, 2686, 2691, 2693, 2696, 2697, 2701, 2704, 2706, 2707, 2710, 2713, 2718, 2719, 2720, 2721, 2725, 2726, 2728, 2729, 2730, 2731, 2732, 2736, 2737, 2738, 2739, 2741, 2748, 2749, 2753, 2754, 2756, 2760, 2763, 2882, 2908, 2910, 2911, 2922, 2930, 2932, 2935, 2937, 2939, 2945, 2950, 2954, 2956, 2957, 2960, 2961, 2962, 2966, 2969, 2970, 2971, 2977, 2981, 2982, 2983, 2985, 2988, 2989, 2990, 2992, 2994, 2995, 2996, 2998, 2999, 3005, 3006, 3017, 3018, 3032, 3034, 3037, 3038, 3044, 3045, 3048, 3054, 3060, 3062, 3064, 3065, 3066, 3082, 3083, 3085, 3091, 3092, 3095, 3096, 3097, 3100, 3103, 3104, 3108, 3112, 3119, 3142, 3158, 4006, 4007, 4008, 4010, 4015, 4020, 4025, 5144, 5148, 5157, 5169, 5175, 5180, 5183, 5184, 5533, 5537, 5541, 5549, 5572, 5580.			261129 Spring-Gov. Used on Type Nos. 2636, 2637, 2766, 3007, 3008, 3051, 3052, 3086, 3088, 3109, 3134, 3135, 3136, 3137, 5151, 5152, 5159, 5162, 5503. 261130 Spring-Gov. Used on Type No. 2762. 261194 Spring-Gov. Used on Type Nos. 2633, 2634, 2635, 2642, 2648, 2653, 2654, 2655, 2656, 2657, 2671, 2675, 2676, 2708, 2743, 2745, 2764, 2767, 2948, 2958, 2993, 2997, 3002, 3010, 3011, 3049, 3059, 3063, 3069, 3071, 3084, 3106, 3122, 3138, 3215, 4011, 4012.				Note: 399150 Plate-Governor Control (Choke-A-Matic®) (Used After Code Date 83121500). 390670 Plate-Governor Control (Not Illustrated) (Used Before Code Date 83121600). Used on Type Nos. 2520, 2580, 2581, 2668, 2693, 2697, 2711, 2730, 2749, 2820, 2922, 2966, 2998, 3038, 3122, 3215, 4020.
			216	262026	Link-Choke (Used After Code Date 83121500). Note: 261122 Link-Choke (Used Before Code Date 83121600).			399151 Plate-Governor Control (Used After Code Date 88070500). 399156 Plate-Governor Control (Used Before Code Date 88070600). Used on Type Nos. 2829, 3043, 3044, 3045, 3048, 3049, 3061, 3063, 3069, 3082, 3083, 3104.	
			217	261119	Spring-Choke Link			399156 Plate-Governor Control (Used After Code Date 83121500).	
			218	222352	Washer-Choke Link			390752 Plate-Governor Control (Not Illustrated) (Used Before Code Date 83121600). Used on Type Nos. 2517, 2519, 2630, 2634, 2656, 2657, 2731, 2738, 2756, 2764, 2767, 2819, 2829, 2983, 2994, 2996, 3010, 3011, 3018, 3043, 3044,	
			219	494845	Gear-Governor (Used After Code Date 91060900). Note: 391737 Gear-Governor (Used Before Code Date 91061000).				
			220	221551	Washer-Thrust				
			222	399151	Plate-Governor Control (Manual Choke) (Used After Code Date 83121500). 390670 Plate-Governor Control (Not Illustrated) (Used Before Code Date 83121600).				

* Included in Gasket Set-
Part No. 299577.

• Included in Carburetor Overhaul Kit-
See Ref 121.

◦ Included in Carburetor Overhaul Kit-
Part No. 492024.

REF. NO.	PART NO.	DESCRIPTION	REF. NO.	PART NO.	DESCRIPTION	REF. NO.	PART NO.	DESCRIPTION
		3045, 3048, 3049, 3061, 3063, 3069, 3082, 3083.			Note: If Longer Wire is Required, Specify Length in Inches; if Shorter Wire is Needed, Order No. 26633 and Cut to Required Length.			94092 Elbow- Muffler 90° Used on Type Nos. 2504, 2580, 2581, 2582, 2686, 2705, 2761, 2804, 2882, 2954, 4006, 4007, 4008, 4009.
		490386 Plate-Governor Control Used on Type Nos. 5153, 5172.	270	63426	Locknut-Control Wire Casing			
224	93067	Screw-Sem	271	290568	Lever Assy.-Control	304	491596	Housing-Blower
227	391965	Lever Assembly- Governor	284	93572	Screw-Thread Forming			Note: 299412 Housing- Blower
		Note: 394646 Lever Assy.- Governor Used on Type Nos. 2747, 2920.	284A	93886	Screw-Hex. Head Sem			Used on Type Nos. 2601, 2633, 2726.
		396775 Lever Assy.- Governor Used on Type Nos. 5153, 5172.	284B	94271	Screw-Air Cleaner Mtg.			399271 Housing- Blower
229	220680	Washer	298	261409	Locknut-Muffler			Used on Type Nos. 3134, 3135, 3136, 3137.
230	222450	Washer-Governor Crank	300	393010	Muffler-Exhaust			399272 Housing- Blower
231	94238	Screw-Sem			Note: 221866 Support- Muffler Used on Type Nos. 2580, 2581, 2582, 2882, 4006, 4007, 4008.			Used on Type Nos. 3134, 3135, 3136, 3137.
240	298090	Filter-Fuel (in Fuel Pipe)	300A	391313	Muffler-Exhaust			399272 Housing- Blower
244	230318	Connector-Fuel Pipe			Note: 492337 Guard-Muffler Uses:			Used on Type Nos. 2518, 2602, 2635, 2637, 2638, 2639, 2640, 2641, 2642, 2731, 2742, 2765, 2766, 2908, 2910, 2911, 3007, 3008, 3014, 3037, 3051, 3052, 3059, 3062, 3084, 3086, 3088, 3106, 3108, 3113, 5159, 5162, 5503.
265	221535	Clamp-Casing			94153 Screw-Guard and Retainer Mounting (Used After Code Date 88090200).			
		Note: 220680 Washer-Flat Used Between Clamp and Insulator Used on Type Nos. 2518, 2644, 2720, 2725, 2753.			93587 Screw-Muffler Bracket to Head (Used Before Code Date 88090300).			
266	390802	Control-Throttle			93606 Screw-Guard to Muffler			
		Uses: 261137 Spring-Throttle Return			222379 Retainer- Guard (Used Before Code Date 88090300).			399271 Housing- Blower
		Note: 291460 Control- Throttle (Disc Type)			Used on Type Nos. 2692, 2936, 2975, 3016, 5175, 5180, 5183, 5184.			(Used After Code Date 86082500).
268	65616	Casing-Control Wire (72" Long)	300B	392101	Muffler-Exhaust			390516 Housing- Blower
		Note: If Longer Casing is Required, Specify Length in Inches; if Shorter Wire is Needed, Order No. 65616 and Cut to Required Length.	300C	398200	Muffler-Exhaust			(Used Before Code Date 86082600).
269	26633	Wire-Control (78" Long)	300D	399355	Muffler-Exhaust			Used on Type Nos. 2517, 2519, 2630, 2634, 2644, 2646, 2656, 2657, 2720, 2721, 2725, 2738, 2753, 2756, 2760, 2763, 2764, 2767, 2819, 2829, 2983, 2994, 2996, 2999,
			303	91246	Elbow-Muffler-45°			
					Note: 94089 Elbow-Muffler Used on Type Nos. 2645, 2659, 2701, 2727, 2739, 2970, 2971, 2992, 3032.			

* Included in Gasket Set-
Part No. 299577.

• Included in Carburetor Overhaul Kit-
See Ref 121.

Included in Carburetor Overhaul Kit-
Part No. 492024.

190400 to 190499

REF. NO.	PART NO.	DESCRIPTION	REF. NO.	PART NO.	DESCRIPTION	REF. NO.	PART NO.	DESCRIPTION
621A	297472	Switch-Stop		93713	Lockwasher (2)		93490	Screw-Strap to Hood
629	261137	Spring-Return			Used on Type Nos.		93203	Nut-Hex. (1)
635	66538	Elbow-Spark Plug		2517, 2518, 2519,			90366	Lockwasher (2)
642	222271	Cover-Air Cleaner		2602, 2630, 2634,				Used on Type Nos.
642A	221468	Cover-Air Cleaner		2637, 2640, 2641,			2636, 2637, 2766,	
642B	398462	Cover-Air Cleaner		2642, 2644, 2646,			3007, 3008, 3051,	
642C	223751	Cover-Air Cleaner		2657, 2720, 2721,			3052, 3085, 3086,	
643	222272	Cup-Air Cleaner		2731, 2738, 2740,			3088, 3113, 5151,	
643A	280001	Cup-Air Cleaner		2753, 2756, 2760,			5152.	
655	222598	Anchor-Spring		2763, 2764, 2765,			491981	Hood-Snow
657	93496	Screw-Sem		2766, 2767, 2819,			Uses:	
662	223820	Strap-Support		2908, 2983, 2996,			222322	Strap-Support
662A	224484	Brace-Air Cleaner		2999, 3005, 3007,			93730	Stud-Strap to
664	93415	Screw-Hex. Hd.		3011, 3014, 3018,			Crankcase Cover	
665	298859	Oil Minder		3059, 3062, 5144,			93203	Nut-Hex. (1)
676	393757	Deflector-Exhaust (Side Outlet)		5162.			90366	Lockwasher (2)
	Note:	393761 Deflector-Exhaust		223597 Guard-Ring Gear			Used on Type Nos.	
		Used on Type Nos.		(Used After Code Date			3106, 3108, 5159,	
		2762, 5146, 5156,		86082500).			5162, 5503.	
		5174, 5181, 5185,		221940 Guard-Ring Gear		735	390966	Cord-Starter
		5515.		(Used Before Code				(Approved for Canadian
676A	393758	Deflector-Exhaust (Louvered)		Date 86082600).				Use)
676B	395700	Deflector-Exhaust (Direct Outlet)		Both Guards Use:		741	262479	Gear-Timing
682	211516	Shield-Starter Clutch		221968 Guard-Upper				(For Loose Gear With
687	390690	Slide-Friction Control		Ring Gear				Key)
688	221766	Cap-Friction Spring		93712 Screw (2)			Note:	261195 Gear-Timing
689	260847	Spring-Friction		93713 Lockwasher (2)				(For Loose Gear With
690	90746	Screw-Machine, Fil. Head		Used on Type Nos.		763	394952	Starter Kit
725	280692	Shield-Fuel Pipe		2829, 2910, 3037,				(12 Volt Gear Drive)
725A	223645	Shield-Muffler		3038, 3043, 3045,		763A	396507	Electric Starter Kit
726	392134	Gear-Ring (Aluminum, Includes Mounting Parts)		3047, 3048, 3049,				(110 Volt Gear Drive)
727	395405	Cover-Starter (Includes Mounting Screws)		3051, 3054, 3059,				(Cannot Be Used With Alternator)
	Note:	223597 Guard-Ring Gear		3061, 3063, 3069,				
		(Used After Code Date		3083, 3084, 3086,				
		86082500).		3088, 3104, 3106,		780	222267	Anchor-Spring Return
		221940 Guard-Ring Gear		3108, 3113, 3119,				Uses:
		(Used Before Code		3134, 3135, 3136,				222268 Connector-
		Date 86082600).		3137, 4013, 5151,				Control Cable
		Both Guards Use:		5503.				Used on Type Nos.
		93712 Screw (2)						2678, 2700, 2744.
			728	93535	Screw-Sem			
			729	223528	Clip-Wire	781	280068	Cap-Starter Pulley
			729A	280470	Clip-Wire	795	392697	Switch-Ignition (Toggle)
			730	299384	Stack-Carburetor			Uses:
			731	492291	Hood-Snow			93888 Nut-Hex.
				Note:	399159 Hood-Snow			Note:
					Uses:			392833 Switch-Ignition
					222322 Strap-Support			(Key)
					93730 Stud-Strap to			Uses:
					Crankcase Cover			392832 Key Set

* Included in Gasket Set-Part No. 299577.

* Included in Carburetor Overhaul Kit-See Ref 121.

Included in Carburetor Overhaul Kit-Part No. 492024.

REF. NO.	PART NO.	DESCRIPTION	REF. NO.	PART NO.	DESCRIPTION	REF. NO.	PART NO.	DESCRIPTION	
795A	392833	Switch-Key (Sno-Gard)	877A	393814	Diode and Connector Assy. (Dual Circuit)	956	493337	Tank Assembly-Fuel	
805	94189	Nut-Primer Retaining	877B	393537	Connector Assembly (Tri-Circuit)	957	493988	Cap-Fuel Tank	
814	390867	Wire Assembly- Alternator	878	393362	Alternator Harness Assy. (Dual Circuit)	958	399517	Valve Assy.- Fuel Shut-Off	
814A	392606	Diode and Connector Assy.-Alternator (Tri-Circuit)	878A	393422	Alternator Harness Assembly	959	223462	Bracket-Fuel Tank (Upper)	
826	397674	Wire-Panel Starter	883	270918	Gasket-Exhaust	960	492990	Bracket-Fuel Tank (Lower)	
832	398779	Guard Group-Muffler		Note: 272293	Gasket- Exhaust		Note: 223463	Bracket- Fuel Tank	
836	93559	Screw-Sem			Used on Type No. 5515.			(Used Before Code Date 89040300).	
836A	94608	Screw-Muffler Mtg.	884	392649	Clamp-Muffler	961	94095	Screw-Tank Mounting	
840	395408	Panel Kit-Starter (Toggle Switch)	887	391529	Stator Assembly- Alternator (D.C.)	978	*271736	Gasket-Oil Switch	
	Note: 395409	Panel Kit- Starter (Key Switch)	897	394970	Trigger Coil	979	398194	Cover-OIL GARD® Hole	
841	393514	Clamp-Regulator	917	223271	Valve Handle- Fuel Shut-Off	980	398182	Switch-OIL GARD®	
842	271170	Seal-Oil Fill Tube	932	396084	Guide-Control Rod	981	223373	Bracket-Muffler Guard	
843	280149	Sleeve-Choke Lever		Note: 223648	Guide-Control Rod	982	94139	Cover Screw- OIL GARD®	
843A	280147	Knob-Choke Lever (For Sno-Gard Engines)			Used on Type Nos. 2910, 2911, 3037, 3047, 3054, 3059, 3062, 3084, 3106, 3108, 5144, 5159, 5162, 5503.	982A	94146	Screw-OIL GARD® Mtg.	
847	399901	Fill Group-Oil	944	94003	Bolt	983	398660	Light-Indicator	
847A	493955	Fill Group-Oil	945	223159	Bracket-Instrument Panel	984	223773	Bracket-Indicator Light	
850	271793	Seal-Base	948	398661	Harness-Wire	985	398525	Insulator Assembly	
851	221798	Terminal-Ignition Cable	949	280685	Guard-Finger	989	491060	Switch Assembly (Used After Code Date 86123100).	
854	392884	Stop-Switch	949A	397530	Guard-Debris (For Rewind Starter)		Note: 399668	Switch Assy. (Used Before Code Date 87010100).	
861	394462	Repair Kit-Pump (Walbro)	949B	396581	Guard-Finger	990	490023	Key	
862	490431	Strap-Air Cleaner Mtg.	954	223379	Bracket-Guard Mounting	990A	280596	Key	
863	224479	Bracket-Muffler		Uses:	94128	Screw-Hex. Hd. (Mounts Bracket to Blower Housing)	994	399541	Arrester-Spark
864	494009	Manifold Assy.- Exhaust				1002	280738	Trim Strip-Blower Housing	
869	211661	Seat-Intake Valve (Standard)				1004	280718	Duct-Air	
870	211661	Seat-Exhaust Valve (Standard)				1016	490817	Spacer	
871	231218	Guide-Exhaust or Intake Valve				1019	491181	Label Kit	
	Note: For Options, See Repair Manual.								
877	393456	Diode and Connector Assy. (Dual Circuit)							

* Included in Gasket Set-
Part No. 299577.

• Included in Carburetor Overhaul Kit-
See Ref 121.

• Included in Carburetor Overhaul Kit-
Part No. 492024.

