

**190400 to 190499**

# Illustrated Parts List

## Model Series 190400 to 190499

TYPE NUMBERS  
0010 through 0070  
0110 through 0193  
0510 through 0571  
0610 through 1026

### TO FIND

**THE CORRECT NUMBER OF THE PART YOU NEED:**

### FOLLOW THE INSTRUCTIONS BELOW

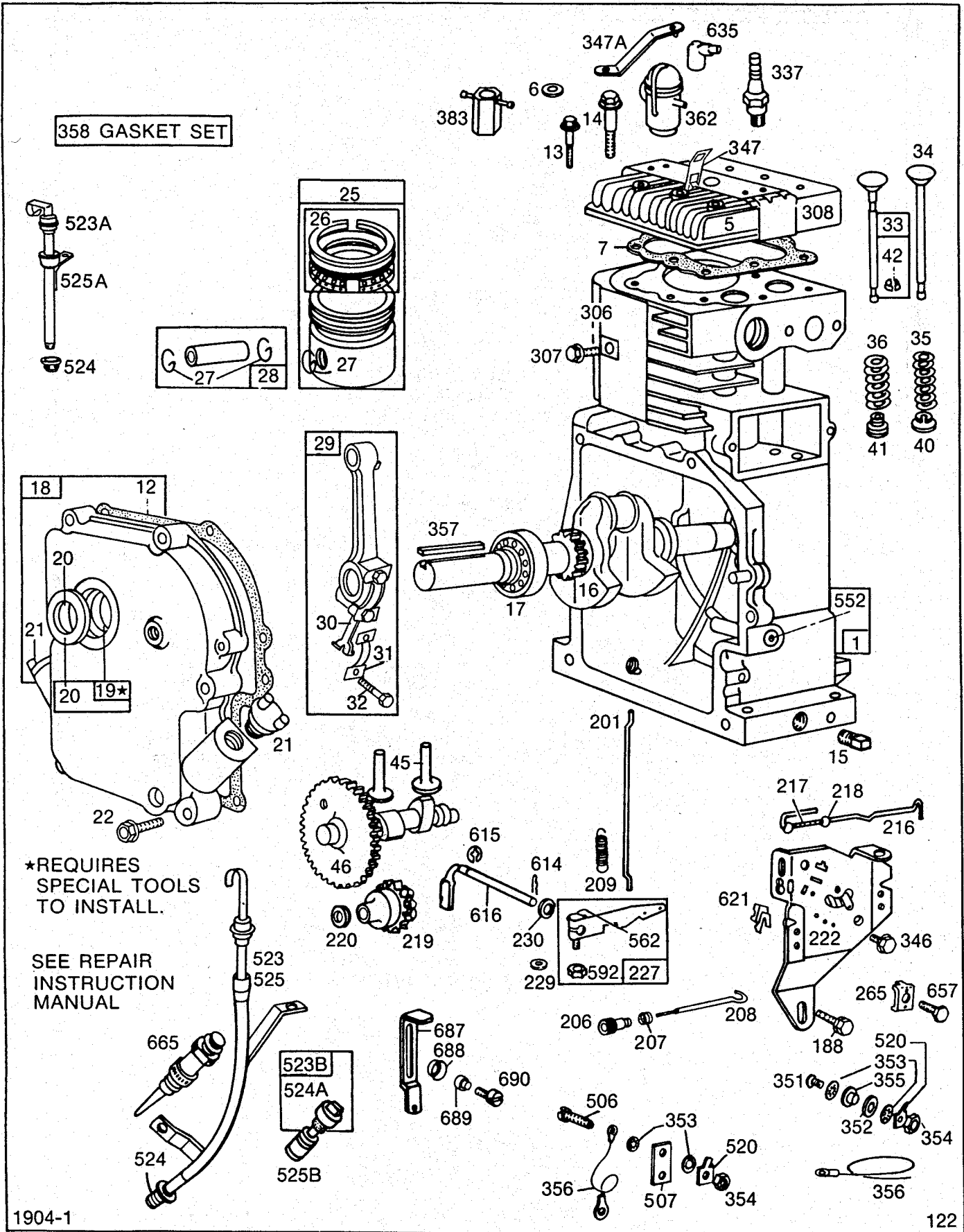
- A. Refer to Engine Model, Type and Code Number that is stamped on the blower housing of engine. Engine type numbers such as 012301 are listed herein only as 0123. The two digits (01 or 02, etc.) to the right of the space are not needed for parts identification. Then use the Illustrated Parts List covering the Model Series.
- B. Refer to Illustrated Parts section and compare the old part with illustration. The number on the illustration is the Reference Number. Assemblies include all parts shown in frames. All parts shown in assembly frames on which individual reference numbers are given can be purchased separately.
- C. After the Reference Number has been identified, refer to the Numerical Parts List, where Reference and Master Part Number are listed. **THE MASTER PART IS USED ON ALL TYPE NUMBERS EXCEPT THOSE TYPE NUMBERS UNDER "NOTE"**.
- D. If a "Note" appears below the Master Part Number, this means that this part differs from the Master Part for certain types. If the Type number is listed under "Note", order the part referred to.
- E. If the Engine Type Number does not appear after any part number listed under "Note", use the Master Part Number.
- F. For Type Numbers higher than those covered by this book, please refer to the factory if you are unable to identify the part by comparison.

PRINTED IN U.S.A.



COPYRIGHT®

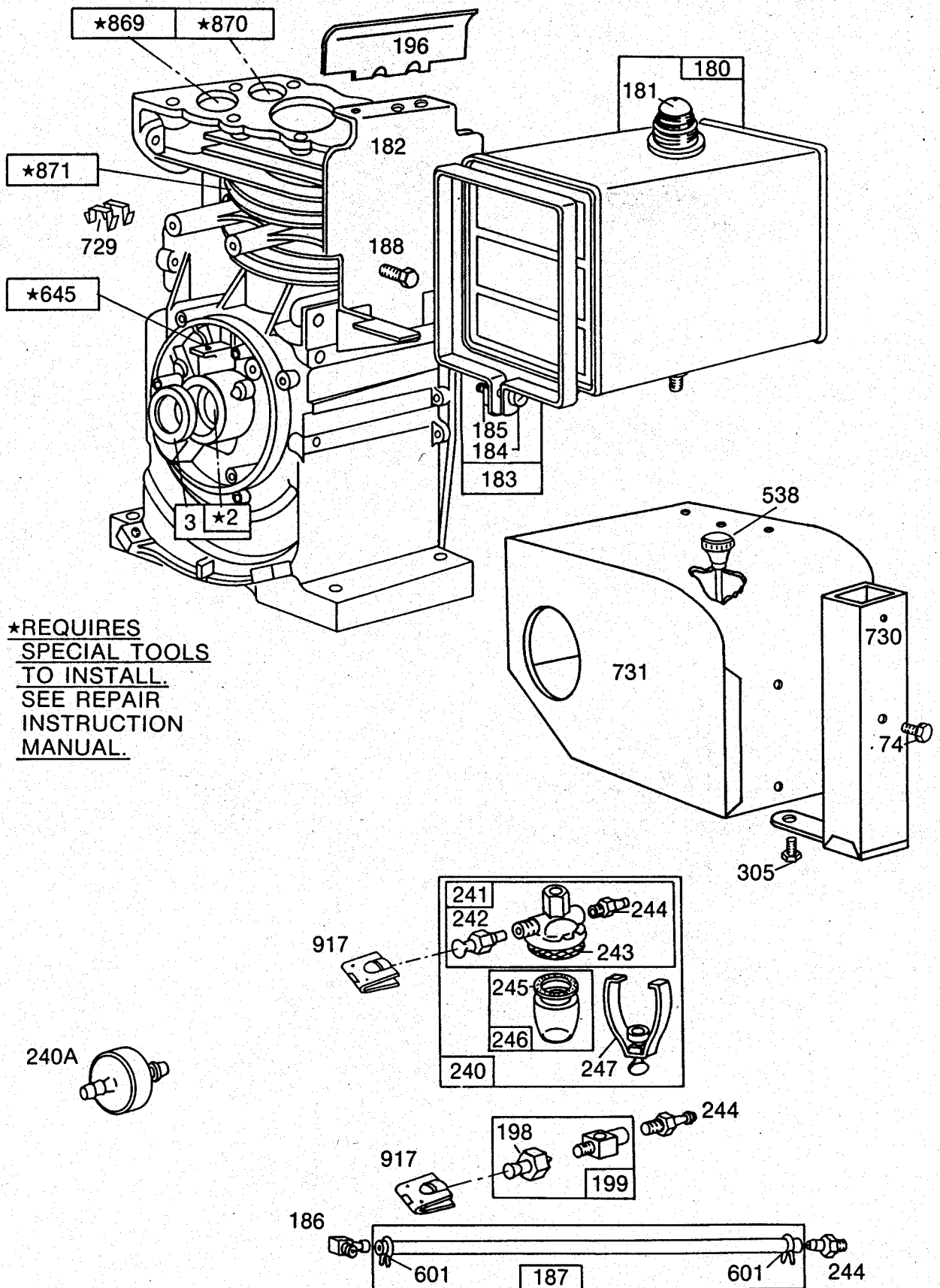
# 190400 to 190499



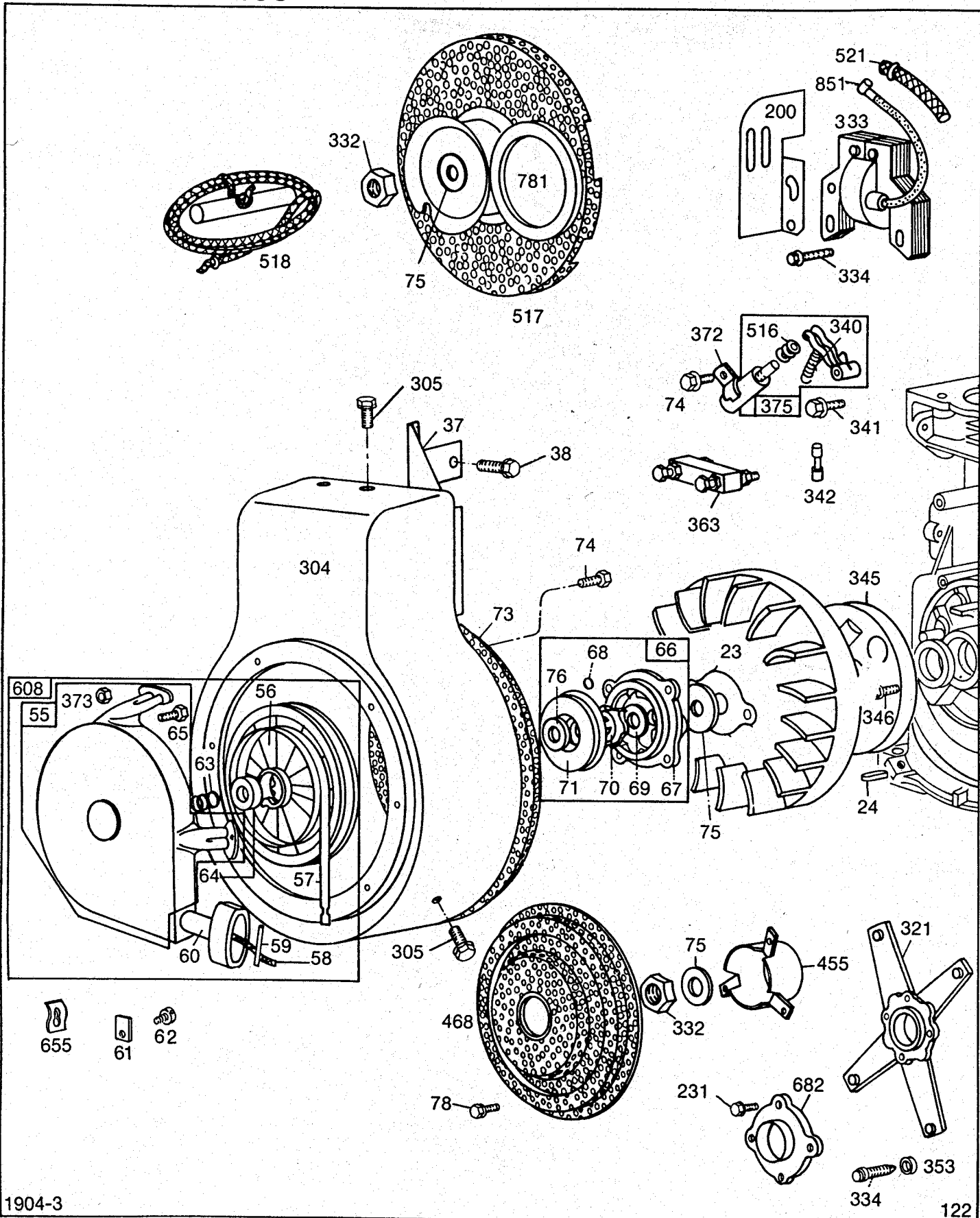
\*REQUIRES SPECIAL TOOLS TO INSTALL.

SEE REPAIR INSTRUCTION MANUAL

Assemblies include all parts shown in frames.



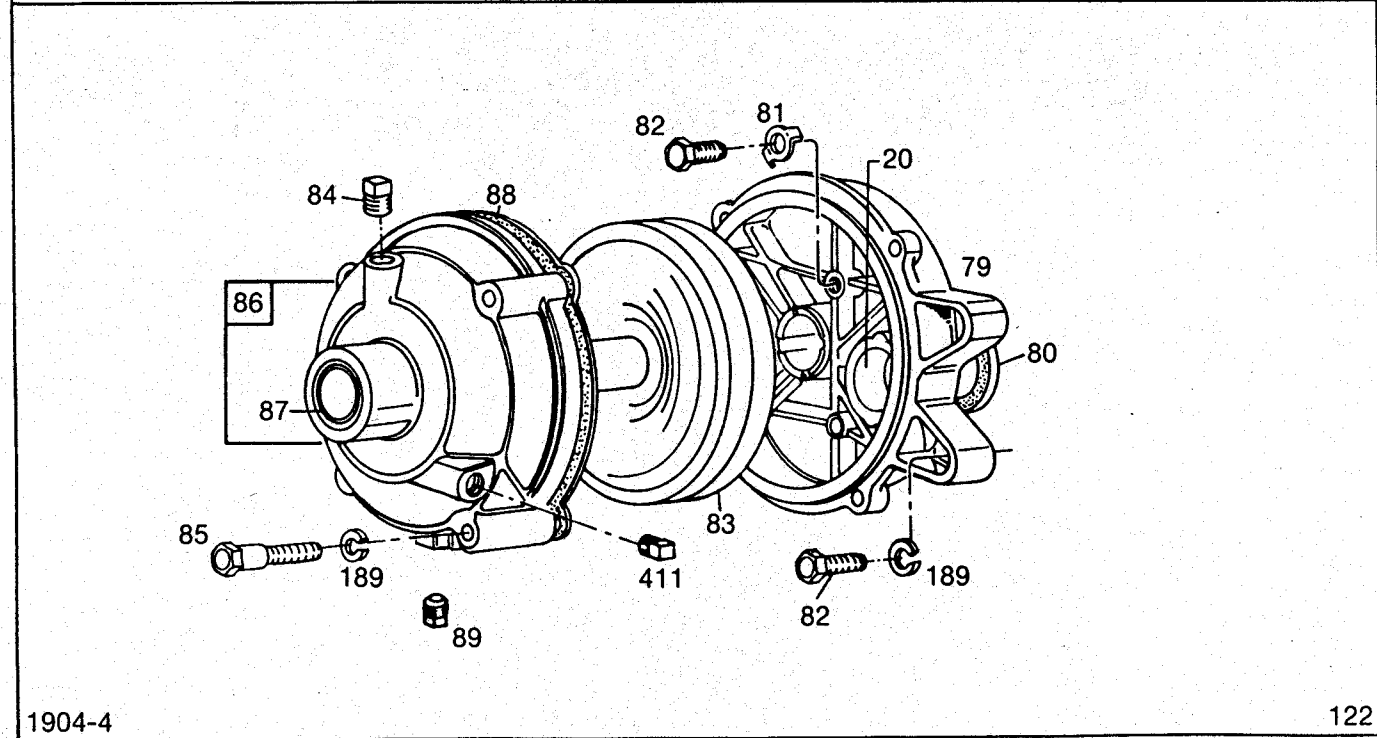
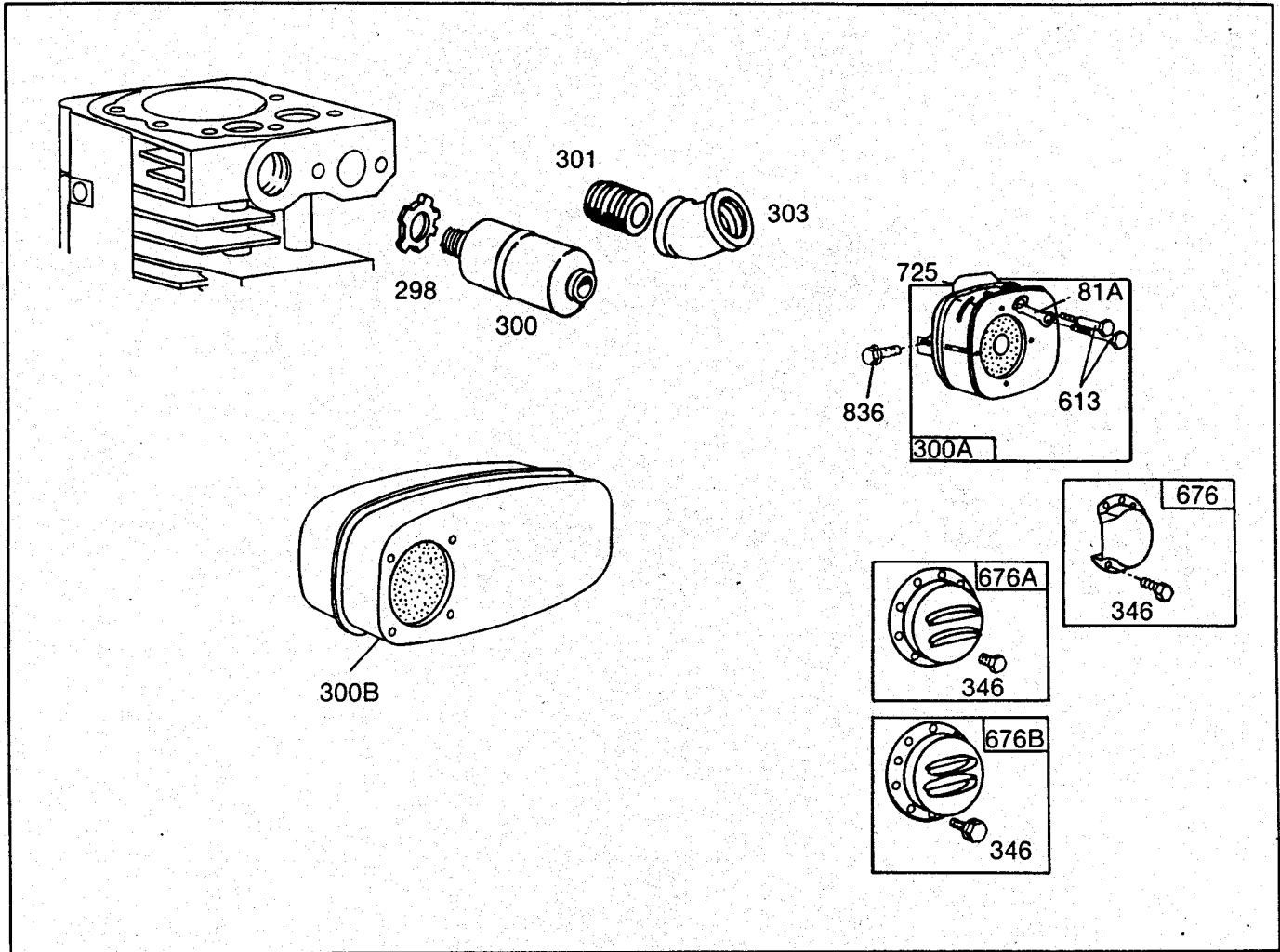
# 190400 to 190499



1904-3

Assemblies include all parts shown in frames.

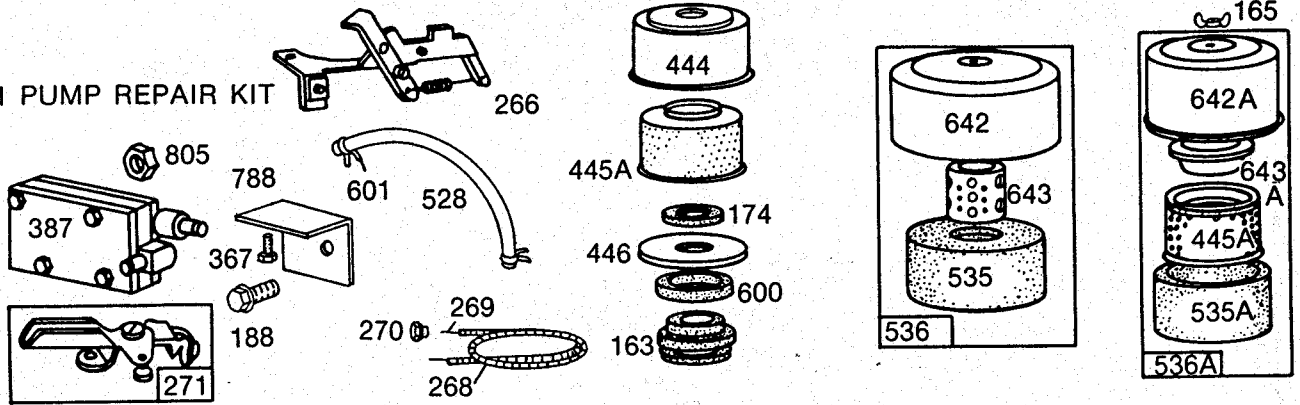
K&T Saw Shop 606-678-9623 or 606-561-4983



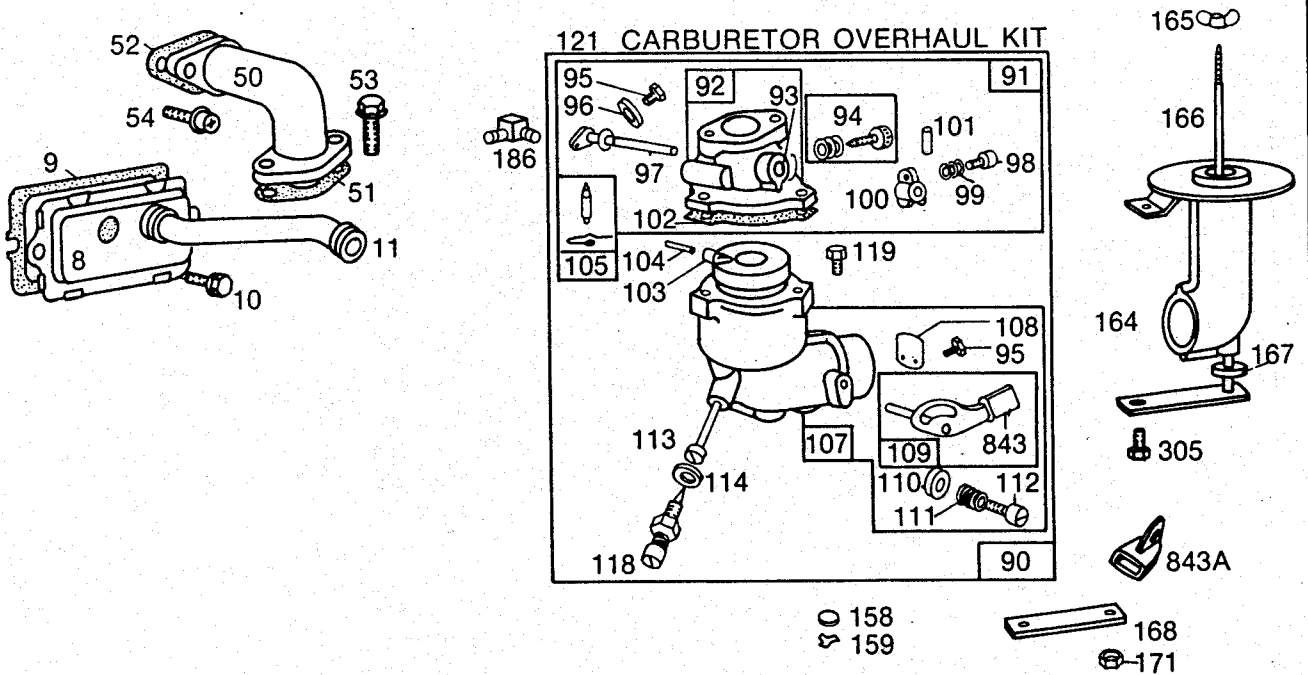
Assemblies include all parts shown in frames.

# 190400 to 190499

## 861 PUMP REPAIR KIT

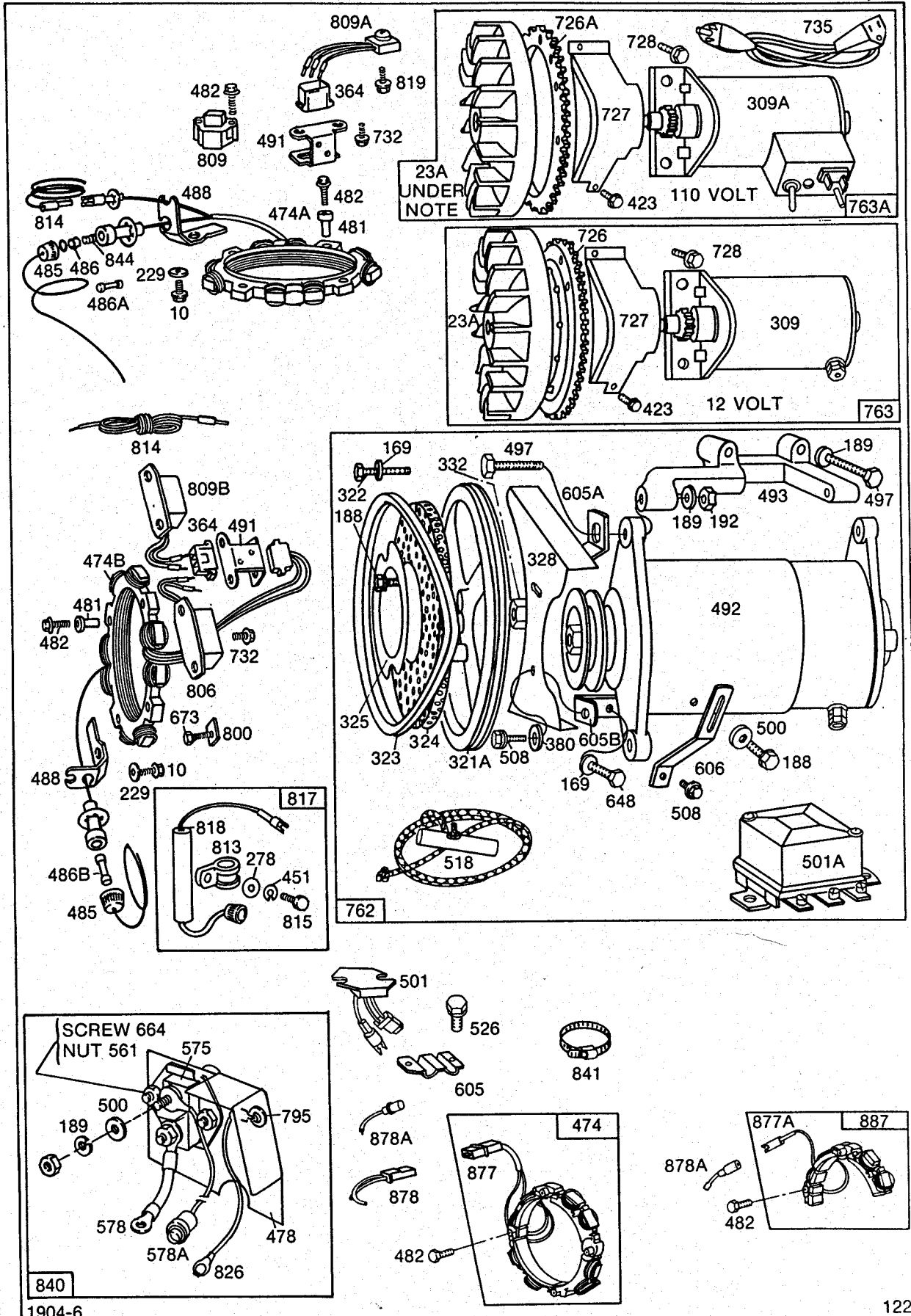


## 121 CARBURETOR OVERHAUL KIT



Assemblies include all parts shown in frames.

# 190400 to 190499



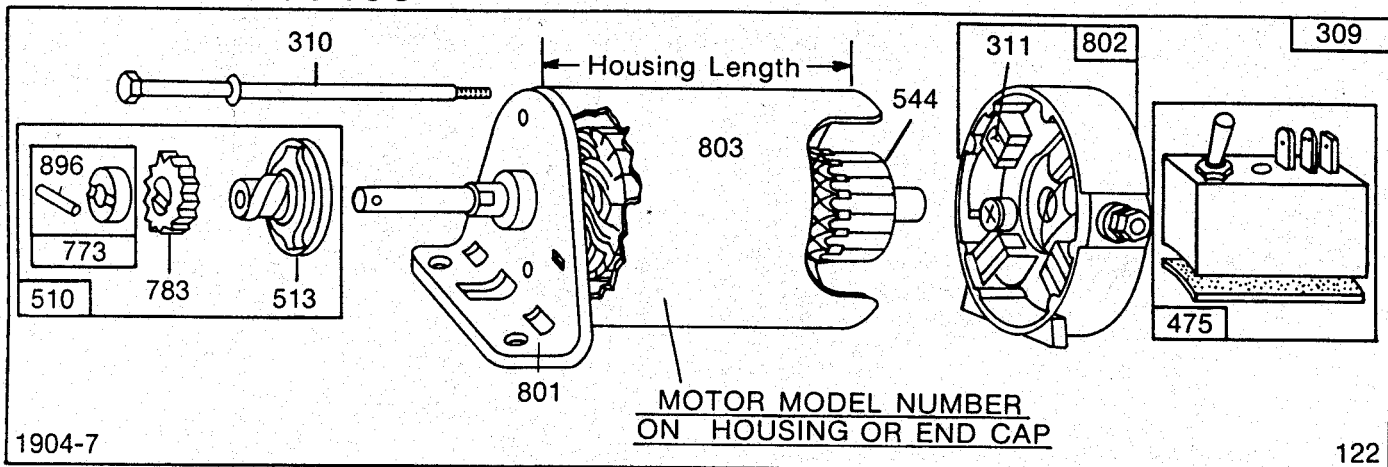
1904-6

122

Assemblies include all parts shown in frames.

K&T Saw Shop 606-678-9623 or 606-561-4983

# 190400 to 190499



Subject		Ref. No. 309	Ref. No. 510	Ref. No. 801	Ref. No. 544	Ref. No. 803	Ref. No. 802	Ref. No. 311	Ref. No. 310	Ref. No. 475
Starter Motor Mfr. and Motor Model Number		Motor and Drive Assy.	Drive Assembly	End Cap Assy. Drive	Armature Assembly	Housing Assembly	End Cap Assy. Commutator*	Brush Assembly	Thru Bolt Assembly	Rectifier Assembly
American Bosch										
12V	SMH 12-A11	390307	390443	390444	390446	390447	390448	390449	390450	
12V	SME 12-A8	390307R	390094	390092	390086	390097	390089		390080	
12V	01965-23-MO-30-SM	392749R	391461**	390444	391607	390447	390448	390449	390450	
110V	SME 110-C3	393143R	390094	390091	390088	390096	390098	390081	390080	390099†
110V	SME 110-C6	299556	390094	390092	390088	390095	390098	390081	390080	390084
110V	SME 110-C8	299764	390094	390093	390088	390096	390098	390081	390080	390099
110V	06026-28-MO-30-SM	393143	390443	393682	393692	393781	393691		393690	393510
120V	06026-28-MO-30-SM	391756	390443	393682	393692	393781	393691		393690	393510
Mitsubishi										
12V	MMO-5ML	390307R	299963	390454	390456	390452	390455	390990	299962	
12V	MMO-4FL	390307R	299963	390454	390457	390453	390455	390990	299962	
12V	MOOI02271	392749R	391461**	391585	391584	390452	390455	390990	93771	
110V	J282188	393143R	299963	299964	299968	299967	299965		299962	299966
Briggs & Stratton										
	Housing Length									
‡12V	3-1/16"	390838	391461**	392061	390837	390849	390846	391705	391706	
‡12V	3-1/16"	392749	391461**	392061	392747	392744	390846	391705	391706	
12V	3-21/32"	394805	391461**	394856	392747	393825	395537	395538	94003	

\*Includes Brush Set

\*\*Includes #391135 Clutch Assembly (Ref. No. 513)  
 #280104 Gear (Ref. No. 783)  
 #391462 Retainer and Pin (Ref. No. 773)  
 #93754 Roll Pin (Ref. No. 896)

†Uses #392247 Switch Shield Assembly

R - Replacement motor. Parts shown are for original equipment motor.

NOTE: **Style Identification** of 12 Volt Motors. New Style: Thru Bolt Heads are Located on the Brush End Head Side.

‡Old Style: Brush End Head is 13/16" Wide.



REF. NO.	PART NO.	DESCRIPTION	REF. NO.	PART NO.	DESCRIPTION	REF. NO.	PART NO.	DESCRIPTION
1	392001	Cylinder Assembly		* 27877	Gasket—Crankcase			0766, 0770, 0772,
2	295962	Bushing—Cylinder			Cover—.009" thick			0773, 0786, 0792,
	<b>Note:</b>	Requires special tools for installation.	13	93113	Screw—Cylinder Head (2-5/16" long)			0793, 0805, 0813, 0826, 0846, 0847,
3	294606	Seal—Oil		<b>Note:</b>	93583 Stud—Cylinder Head			0853, 0855, 0856, 0865, 0868, 0870,
5	211778	Head—Cylinder			22963 Washer			0889, 0892, 0895, 0897, 0899, 0900,
6	22963	Washer			Used on Type Nos.			0904, 0905, 0906, 0907, 0917, 0925,
7	*270430	Gasket—Cylinder Hd.			0642, 0646, 0647, 0679, 0765, 0783, 0856, 0870, 0900, 0905, 0906, 0907, 0937, 0944, 0963, 0968, 0969, 0974, 0975, 1019, 1021.			0926, 0929, 0932, 0933, 0934, 0935, 0937, 0941, 0953, 0955, 0958, 0959, 0960, 0963, 0966, 0968, 0969, 0974, 0976.
8	390321	Breather Assembly			92985 Screw—Cylinder Head (2)			261073 Crankshaft
	<b>Note:</b>	294948 Breather Assembly			231035 Spacer—Cylinder Head			Used on Type Nos.
		Used on Type Nos.			Screw (2)			0049, 0120, 0121, 0125, 0133, 0134, 0142, 0153, 0157, 0174, 0549, 0620, 0621, 0625, 0671, 0681, 0692, 0693, 0706, 0752, 0767, 0787, 0788, 0807, 0818, 0838, 0844, 0848, 0849, 0850, 0851, 0873, 0885, 0890, 0898, 0909, 0916, 0938, 0956, 0962, 0972, 0990, 1015.
		0139, 0145, 0146, 0148, 0151, 0160, 0162, 0164, 0185, 0639, 0642, 0644, 0645, 0646, 0647, 0661, 0665, 0666, 0667, 0669, 0676, 0696, 0699, 0705, 0709, 0713, 0717, 0718, 0720, 0726, 0730, 0772, 0776, 0777, 0796, 0807, 0813, 0828, 0830, 0834, 0889, 0898, 0919, 0934, 0935, 0936.	14	93211	Screw—Cylinder Head (2-21/32" long)			261074 Crankshaft
		294988 Breather Assembly		<b>Note:</b>	93583 Stud—Cylinder Head			Used on Type Nos.
		Used on Type Nos.			22963 Washer			0036, 0118, 0536, 0618, 0785, 0931, 261079 Crankshaft
		0638, 0672, 0694, 0704, 0803, 0810, 0814, 0825, 0924, 0968, 0969.			Used on Type Nos.			Used on Type Nos.
9	* 27803	Gasket—Valve Cover			0679, 0856, 0870, 0900, 0902, 0905, 0906, 0907, 0963, 0968, 0969, 0974.			0037, 0115, 0116, 0124, 0163, 0175, 0176, 0181, 0537, 0615, 0616, 0624, 0634, 0700, 0779, 0819, 0854, 0888, 0946, 0952.
10	93394	Screw—Sem		15	91084	Plug—Oil Drain		261080 Crankshaft
	<b>Note:</b>	93535 Screw—Sem		<b>Note:</b>	93418 Plug—Oil Drain (Hex. Socket)			Used on Type Nos.
		Used to mount Output Bracket Retainer on Type No. 0800.			Used on Type Nos.			0144, 0652, 0684, 0746, 0747, 0780, 0925, 0926, 0932, 0933, 0939, 0940, 0955, 0959.
11	67068	Tube—Breather			93978 Pipe—Oil Drain			0615, 0616, 0624, 0634, 0700, 0779, 0819, 0854, 0888, 0946, 0952.
	<b>Note:</b>	390769 Tube—Breather			93720 Cap—Pipe			Used on Type Nos.
		Used on Type Nos.			Used on Type No. 1024.			0037, 0115, 0116, 0124, 0163, 0175, 0176, 0181, 0537, 0615, 0616, 0624, 0634, 0700, 0779, 0819, 0854, 0888, 0946, 0952.
		0638, 0694, 0803, 0810, 0814, 0825, 0968, 0969.	16	261077	Crankshaft			261080 Crankshaft
12	* 27750	Gasket—Crankcase		<b>Note:</b>	261072 Crankshaft			Used on Type Nos.
		Cover—1/64" thick			Used on Type Nos.			0070, 0119, 0154, 0158, 0169, 0185, 0570, 0571, 0619, 0640, 0665, 0683, 0737, 0738, 0753,
	* 27876	Gasket—Crankcase			0070, 0119, 0154, 0158, 0169, 0185, 0570, 0571, 0619, 0640, 0665, 0683, 0737, 0738, 0753,			0146, 0147, 0151, 0160, 0186, 0518, 0643, 0695, 0707, 0711, 0716, 0717,
		Cover—.005" thick						

\*Included in Gasket Set—  
Part No. 299577.

## 190400 to 190499

REF. NO.	PART NO.	DESCRIPTION	REF. NO.	PART NO.	DESCRIPTION	REF. NO.	PART NO.	DESCRIPTION
	0718, 0742, 0762, 0763, 0774, 0776, 0777, 0781, 0782, 0783, 0802, 0811, 0817, 0821, 0823, 0836, 0843, 0869, 0883, 0891, 0902, 0911, 0921, 0945, 0980, 0981, 0982, 0983, 0991, 0993, 0994, 0995, 0996, 0999, 1004, 1013, 1022, 1024, 1026.			0979, 0997, 0998, 1000, 1002, 1003, 1005, 1006, 1007, 1008, 1009, 1010, 1011, 1012, 1016.			392676	Cover Assy.— Crankcase Used on Type Nos. 0905, 0907, 0925, 0926, 0932, 0933, 0946, 0955, 0959, 0963, 0974.
	261081 Crankshaft Used on Type Nos. 0035, 0040, 0117, 0136, 0137, 0138, 0141, 0143, 0149, 0150, 0152, 0156, 0159, 0162, 0178, 0179, 0182, 0187, 0188, 0191, 0535, 0540, 0617, 0636, 0645, 0651, 0656, 0658, 0660, 0664, 0668, 0672, 0675, 0677, 0678, 0679, 0687, 0688, 0690, 0691, 0697, 0698, 0699, 0701, 0704, 0708, 0710, 0720, 0721, 0723, 0730, 0731, 0732, 0734, 0743, 0745, 0748, 0756, 0761, 0764, 0769, 0771, 0775, 0791, 0795, 0801, 0804, 0806, 0815, 0816, 0820, 0829, 0830, 0832, 0833, 0834, 0837, 0839, 0840, 0841, 0842, 0843, 0845, 0852, 0857, 0859, 0860, 0863, 0867, 0871, 0872, 0874, 0876, 0880, 0881, 0882, 0894, 0901, 0903, 0910, 0913, 0920, 0927, 0928, 0930, 0936, 0942, 0948, 0950, 0957, 0961, 0967, 0977, 0978,		17 29530 18 299167	Bearing—Ball Cover Assembly— Crankcase Used on <i>Model Series</i> 190400, 190401, 190402, 190403, 190404, 190406, 190407, except as listed under note.		19 295964	Bushing—Crankcase Cover <b>Note:</b> Requires special tools for installation.	
				<b>Note:</b> 392818 Cover Assy.— Crankcase Used on Type Nos. 0713, 0714, 0720, 0724, 0725, 0726, 0733, 0736, 0741, 0778, 0800, 0811, 0828, 0944, 0951, 0964, 0965.		20 391086	Seal—Oil <b>Note:</b> 294160 Seal—Oil Used for Auxiliary P.T.O. on Type Nos. 0768, 0794, 0835.	
				299178 Cover Assy.— Crankcase Used on <i>Model Series</i> 190430, 190431, 190432, 190434, 190435, 190436, 190437, except as listed under note.		21 66768	Plug—Oil Filler	
				<b>Note:</b> 390787 Cover Assy.— Crankcase Used on Type Nos. 0638, 0694, 0825.		22 93585	Screw—Crankcase Cover Mounting Sem <b>Note:</b> 93685 Screw— Crankcase Venting (One at Top) 230998 Connector— Vent Pipe Used on Type Nos. 0638, 0666, 0669, 0694, 0699, 0730, 0741, 0796, 0803, 0810, 0814, 0825, 0828, 0924, 0968, 0969. 93730 Stud—Crankcase Cover 90366 Lockwasher Used on Type Nos. 1018, 1019, 1020, 1021.	
				299175 Cover Assy.— Crankcase Used on <i>Model Series</i> 190410, 190412, 190413, 190416, 190417, 190451, 190452, 190457.		23 298260	Flywheel—Magneto	
				391280 Cover Assy.— Crankcase Used on <i>Model Series</i> 190492.		23A 391983	Flywheel and Ring Gear Assy.—Magneto For use on engines <i>WITH ALTERNATOR</i> (Includes aluminum ring gear). For use only with starter motors with Plastic Drive Gear. <b>Note:</b> 392034 Flywheel and Ring Gear Assy.— Magneto For use only on elec- tric starter engines <i>WITHOUT ALTERNATOR</i>	

REF. NO.	PART NO.	DESCRIPTION	REF. NO.	PART NO.	DESCRIPTION	REF. NO.	PART NO.	DESCRIPTION
		(Includes aluminum ring gear). For use only with starter motors with Plastic Drive Gear.	<b>27</b>	<b>68546</b>	Lock—Piston Pin	<b>38</b>	<b>93777</b>	Screw—Sem
	<b>390180</b>	Flywheel—Magneto	<b>28</b>	<b>295840</b>	Pin Assembly—Piston—Standard		<b>Note:</b>	<b>93535</b> Screw—Sem (2)
		For use on engines WITH ALTERNATOR—machined to accept STEEL ring gear (not included).		<b>295841</b>	Pin Assembly—Piston—.005" O.S.			<b>22963</b> Washer (6) Used to Mount Flywheel Guard. Used on Type Nos. 0810, 0814, 0815, 0840, 0867, 0872, 0970, 1009.
	<b>299375</b>	Flywheel—Magneto	<b>29</b>	<b>390401</b>	Rod Assembly—Connecting		<b>40</b>	<b>221596</b> Retainer—Intake Valve
		For use on engines WITHOUT ALTERNATOR—machined to accept STEEL ring gear (not included).		<b>Note:</b>	For Connecting Rod with .020" undersize Crankpin Bore—Order No. 390773.		<b>41</b>	<b>292260</b> Rotocoil—Exhaust Valve
	<b>392028</b>	Flywheel—Magneto	<b>30</b>	<b>222113</b>	Dipper—Connecting Rod		<b>42</b>	<b>93630</b> Retainer—Exhaust Valve Rotocoil (2)
		Used on Type Nos. 0810, 0814, 0815, 0840, 0867, 0970, 1009.	<b>31</b>	<b>222114</b>	Lock—Connecting Rod Screw		<b>45</b>	<b>260933</b> Tappet—Valve
		After Code No. 75022611 (for Engines before Code No. 75022711 Order No. 390180).	<b>32</b>	<b>92659</b>	Screw—Connecting Rod		<b>46</b>	<b>211689</b> Gear—Cam
<b>24</b>	<b>61760</b>	Key—Flywheel	<b>33</b>	<b>390419</b>	Valve—Exhaust		<b>Note:</b>	<b>211862</b> Gear—Cam Used on Type Nos. 0768, 0794, 0835, 0915, 0973, 1017, 1023.
<b>25</b>	<b>391673</b>	Piston Assembly—Standard		<b>Note:</b>	<b>390420</b> Valve—Exhaust Used on Type Nos. 0070, 0150, 0158, 0178, 0181, 0189, 0570, 0571, 0640, 0658, 0678, 0697, 0698, 0699, 0700, 0701, 0710, 0730, 0732, 0734, 0736, 0742, 0748, 0778, 0786, 0793, 0795, 0804, 0805, 0846, 0847, 0853, 0865, 0868, 0888, 0889, 0899, 0900, 0901, 0904, 0906, 0925, 0926, 0930, 0932, 0933, 0937, 0955, 0957, 0959, 0966, 0972, 1002, 1003.		<b>50</b>	<b>211812</b> Elbow—Intake
	<b>391674</b>	Piston Assembly—.010" O.S.	<b>34</b>	<b>261055</b>	Valve—Intake		<b>Note:</b>	<b>210705</b> Elbow—Intake Used on Type Nos. 0132, 0133, 0136, 0137, 0139, 0145, 0146, 0148, 0151, 0160, 0162, 0164, 0170, 0171, 0172, 0173, 0180, 0185, 0190, 0516, 0517, 0518, 0622, 0636, 0639, 0642, 0644, 0645, 0646, 0647, 0649, 0653, 0654, 0655, 0660, 0661, 0662, 0665, 0666, 0667, 0669, 0676, 0677, 0690, 0695, 0696, 0699, 0702, 0705, 0706, 0709, 0712, 0713, 0716, 0717, 0718, 0720, 0722, 0726, 0730, 0741, 0749, 0750, 0751, 0752, 0754, 0755, 0756, 0758, 0759, 0762, 0772, 0774, 0776, 0777, 0790, 0796, 0802, 0807, 0812, 0813, 0816, 0820, 0821,
	<b>391675</b>	Piston Assembly—.020" O.S.	<b>35</b>	<b>65906</b>	Spring—Intake Valve			
	<b>391676</b>	Piston Assembly—.030" O.S.	<b>36</b>	<b>26828</b>	Spring—Exhaust Valve			
<b>MODEL 190400 SERIES PISTON RING SETS:</b>			<b>37</b>	<b>222475</b>	Guard—Flywheel			
		<b>Note:</b> For Chrome Ring Set—Standard Size—order No. 299743.		<b>Note:</b>	<b>222402</b> Guard—Flywheel Used on Type Nos. 0810, 0814, 0815, 0840, 0867, 0872, 0970, 1009.			
<b>26</b>	<b>391669</b>	Ring Set—Piston—Standard						
	<b>391670</b>	Ring Set—Piston—.010" O.S.						
	<b>391671</b>	Ring Set—Piston—.020" O.S.						
	<b>391672</b>	Ring Set—Piston—.030" O.S.						

## 190400 to 190499

REF. NO.	PART NO.	DESCRIPTION	REF. NO.	PART NO.	DESCRIPTION	REF. NO.	PART NO.	DESCRIPTION
		0828, 0830, 0834, 0845, 0877, 0878, 0889, 0898, 0902, 0911, 0928, 0935, 0936, 0945, 0967, 0977, 0978, 0979, 0980, 0981, 0982, 0983, 0986, 0987, 0989, 0990, 0991, 0992, 0993, 0994, 0995, 0996, 0997, 0998, 0999, 1000, 1001, 1002, 1003, 1005, 1006, 1007, 1008, 1009, 1010, 1011, 1012, 1013, 1014, 1015, 1016, 1017, 1018, 1019, 1020, 1021, 1022, 1023, 1024, 1025, 1026.			is needed, order No. 66894 and cut to re- quired length.	71	221653	Washer—Retainer <b>Note:</b> 222277 Cover—Hsg. Used on Type Nos. 0718, 0725, 0726, 0777, 0828.
					<b>Note:</b> 66564 Rope—Rewind Starter (63" long for use with Metal Pulley) If longer rope is needed, order No. 66574 and cut to required length.	73	221796	Screen—Rewind Starter <b>Note:</b> 221668 Screen— Rewind Starter Used on Type Nos. 0152, 0651, 0668, 0688, 0743.
			59	230228	Pin—Starter Grip			
			60	66728	Grip—Starter Rope			
			61	68848	Bumper—Starter Pulley	74	93042	Screw—Sem <b>Note:</b> 93705 Screw—Sem (4) (Mounting Screen to Fan Blade) 93335 Screw—Sem (4) (Mounting Fan to Starter Clutch) Used on Type Nos. 0152, 0651, 0668, 0688, 0743.
			62	93254	Screw—Pulley Bumper Mounting			
			63	260414	Spring—Ratchet			
			64	230543	Adapter—Ratchet Spring			
			65	93067	Screw—Stamped Steel Rewind Starter Housing Mounting Sem			
51	†*270684	Gasket—Carb. Mtg.			<b>Note:</b> 93572 Screw—Cast Rewind Starter Housing Mounting Sem 230796 Nut—Starter Mounting (4) 92290 Washer—Lock (4) Used on Type Nos. 0152, 0651, 0668, 0688, 0743.	75	220865	Washer—Spring
52	* 27828	Gasket—Intake Elbow Mounting <b>Note:</b> 270824 Gasket— Carb. Mounting Used on Type Nos. 0800.				76	68238	Washer—Ratchet Sealing
53	93357	Screw—Carburetor Mounting Sem				78	93805	Screw—Sem
54	93208	Screw—Intake Elbow Mounting Sem				79	296179	Case Assembly—Gear
55	393576	Housing—Rewind Starter (Stamping) <b>Note:</b> 390391 Housing— Rewind Starter (Casting Style Replacement) 298402 Housing— Rewind Starter Used on Type Nos. 0152, 0651, 0668, 0688, 0743.	66	298798	Clutch Assy.—Rewind Starter	80	27884	Gasket—Gear Case to Crankcase Cover
			66A	393117	Clutch Assy.—Rewind Starter For engines with Ring Gear on Flywheel equipped for or with <b>Electric Motor.</b>	81	220234	Lock—Gear Case Mounting Screw
			67	212132	Housing—Rewind Starter Clutch	81A	222263	Lock—Muffler Mtg. Screw <b>Note:</b> 222265 Lock-Muffler Mounting Screw Used on Type No. 0189.
			67A	261453	Housing—Rewind Starter Clutch For engines with Ring Gear on Flywheel equipped for or with <b>Electric Motor.</b>	82	92502	Screw—Cap
56	295871	Pulley—Rewind Starter <b>Note:</b> Includes 63" rope; if longer rope is required, order rope No. 66894 and cut to required length.	68	63770	Ball—Clutch	83	291762	Shaft Assembly—Drive <b>Note:</b> 296298 Shaft Assy. Drive Used on Type Nos. 0133, 0706, 0752, 0807, 0898, 0990, 1015.
57	294303	Spring—Rewind Starter	69	66718	Washer—Starter Clutch, Thrust	84	92617	Plug—Breather
58	66884	Rope—Rewind Starter— 63" long For use with Plastic Pulley; if longer rope	70	298799	Ratchet—Rewind Starter Clutch	85	91386	Screw—Gear Case Cover Mounting
						86	296053	Cover Assembly— Gear Case
						87	391086	Seal—Oil
						88	27328	Gasket—Gear Case Cover

\*Included in Gasket Set—  
Part No. 299577.

†Included in Carburetor Overhaul  
Kit—Part No. 291763.

REF. NO.	PART NO.	DESCRIPTION	REF. NO.	PART NO.	DESCRIPTION	REF. NO.	PART NO.	DESCRIPTION	
89	91488	Plug—Oil Drain	91	390404	Body Assembly— Upper Carburetor	107	299170	Body Assembly— Lower Carburetor	
90	390323	Carburetor Assembly (Manual Choke)		<b>Note:</b> 390845	Body Assy.— Upper Carburetor			390403 Body Assy.— Lower Carburetor	
	<b>Note:</b> 390424	Carburetor Assembly Used on Type Nos. 0135, 0139, 0148, 0155, 0165, 0184, 0189, 0192, 0635, 0639, 0644, 0646, 0647, 0659, 0685, 0686, 0717, 0718, 0720, 0726, 0744, 0776, 0777, 0815, 0876, 0902.			Used on Type Nos. 0638, 0642, 0666, 0669, 0694, 0699, 0705, 0709, 0713, 0730, 0741, 0742, 0796, 0803, 0810, 0814, 0825, 0828, 0924, 0968, 0969.		<b>Note:</b> 390425	Body Assy.— Lower Carburetor Used on Type Nos. 0135, 0139, 0148, 0155, 0165, 0184, 0189, 0192, 0635, 0638, 0639, 0644, 0646, 0647, 0659, 0685, 0686, 0694, 0717, 0718, 0720, 0726, 0730, 0741, 0742, 0744, 0776, 0777, 0815, 0825, 0828, 0876, 0902.	
	390680	Carburetor Assembly Used on Type Nos. 0520, 0630, 0637, 0641, 0650, 0668, 0670, 0672, 0674, 0682, 0688, 0689, 0692, 0704, 0724, 0725, 0733, 0760, 0780, 0783, 0784, 0800, 0809, 0822, 0835, 0884, 0886, 0923, 0943.	92	390503	Body—Upper Carb. <b>Note:</b> 390844			390781	Body Assy.— Lower Carburetor Used on Type Nos. 0520, 0630, 0637, 0641, 0650, 0668, 0670, 0672, 0674, 0682, 0688, 0689, 0692, 0704, 0724, 0725, 0733, 0760, 0780, 0783, 0784, 0800, 0809, 0822, 0835, 0884, 0886, 0923, 0943, 0985.
	390843	Carburetor Assembly Used on Type Nos. 0642, 0666, 0669, 0699, 0705, 0709, 0713, 0796, 0803, 0810, 0814, 0968, 0969.	93	23108	Bushing—Throttle Shaft			391909	Body Assy.— Lower Carburetor Used on Type Nos. 0517, 0755, 0877, 0878, 0879, 0889, 0914, 0921, 0922, 0945, 0986, 0987, 0989, 0991, 0992, 0999, 1001, 1013, 1014, 1017, 1022, 1023, 1024, 1026.
	390878	Carburetor Assembly Used on Type Nos. 0638, 0694, 0730, 0741, 0742, 0825, 0828, 0924.	94	†292681	Valve Assembly— Carburetor Idle				
	391889	Carburetor Assembly Used on Type Nos. 0517, 0755, 0877, 0878, 0879, 0889, 0914, 0921, 0922, 0945, 0986, 0987, 0989, 0991, 0992, 0999, 1001, 1013, 1014, 1017, 1022, 1023, 1024, 1026.	95	93499	Screw—Throttle and Choke Valve Mtg. Sem				
			96	62940	Valve—Throttle				
			97	298826	Shaft and Lever— Throttle				
			98	91920	Screw—Machine, Fil. Hd.—8-32 x 5/8"				
			99	26157	Spring—Throttle Adjustment				
			100	61967	Stop—Throttle				
			101	93043	Pin—Throttle Stop				
			102	† 27918	Gasket—Carburetor Body				
			103	99333	Float—Carburetor				
			104	†230896	Pin—Float Hinge				
			105	394681	Valve—Fuel Inlet (Used after Code No. 81032700)				
				<b>Note:</b> 299096	Valve— Fuel Inlet (Used before Code No. 81033000) Order No. 394683 for Fuel Pump Applications	108	221835	Valve—Choke (Used after Code No. 82030400)	
							<b>Note:</b> 62872	Valve— Choke (Used before Code No. 82030500)	

†Included in Carburetor Overhaul  
Kit—Part No. 291763.

## 190400 to 190499

REF. NO.	PART NO.	DESCRIPTION	REF. NO.	PART NO.	DESCRIPTION	REF. NO.	PART NO.	DESCRIPTION
109	391987	Shaft and Lever—Choke			0990, 0991, 0992, 0993, 0994, 0995, 0996, 0997, 0998, 0999, 1000, 1001, 1002, 1003, 1005, 1006, 1007, 1008, 1009, 1010, 1011, 1012, 1013, 1014, 1015, 1016, 1017, 1018, 1019, 1020, 1021, 1022, 1023, 1024, 1025, 1026.	164	391628	Pipe Assy.—Air Cleaner
	<b>Note:</b>	299452 Shaft and Lever—Choke Used on Type Nos. 0135, 0139, 0148, 0155, 0165, 0184, 0189, 0192, 0635, 0638, 0639, 0644, 0646, 0647, 0659, 0685, 0686, 0694, 0717, 0718, 0720, 0726, 0730, 0741, 0742, 0744, 0776, 0777, 0815, 0825, 0828, 0876, 0902.						<b>Note:</b> 295593 Pipe Assy.—Air Cleaner Used on Type Nos. 0148, 0639, 0696, 0707, 0720.
		390669 Shaft and Lever—Choke Used on Type Nos. 0520, 0630, 0637, 0641, 0650, 0668, 0670, 0672, 0674, 0682, 0688, 0689, 0692, 0704, 0724, 0725, 0733, 0760, 0780, 0783, 0784, 0800, 0809, 0835, 0884, 0886, 0923, 0943, 0985.	111	26155	Spring—Choke Lever			298410 Pipe Assy.—Air Cleaner Used on Type Nos. 0139, 0145, 0146, 0151, 0160, 0162, 0164, 0185, 0642, 0644, 0645, 0646, 0647, 0661, 0665, 0666, 0667, 0669, 0674, 0676, 0682, 0689, 0699, 0705, 0709, 0713, 0717, 0718, 0722, 0724, 0725, 0726, 0730, 0733, 0763, 0772, 0775, 0776, 0777, 0783, 0796, 0807, 0813, 0828, 0830, 0831, 0834, 0843, 0889, 0898, 0902, 0934, 0935, 0936, 1004.
		391888 Shaft and Lever—Choke Used on Type Nos. 0517, 0755, 0877, 0878, 0879, 0889, 0914, 0921, 0922, 0945, 0986, 0987, 0989, 0991, 0992, 0999, 1001, 1013, 1014, 1017, 1022, 1023, 1024, 1026.	112	23123	Screw—Choke Lever			
		394509 Shaft and Lever—Choke Used with Non-Metal Air Cleaner Pipe	113	†395207	Nozzle—Carburetor			
			114	† 68667	Gasket—Nozzle			
			118	† 99525	Valve—Needle			
			119	93496	Screw—Hex Hd. Sem			
				<b>Note:</b>	91359 Screw—Machine, Fil. Hd.—10-32 x 3/4" (1) and 92290 Lockwasher (1) Used to mount No. 221787 Strap to Carburetor on Type Nos. 0135, 0155, 0165, 0184, 0638, 0646, 0694, 0717, 0718, 0720, 0726, 0730, 0742, 0744, 0746, 0776, 0777, 0828.			
			121	394693	Carburetor Overhaul Kit (Used after Code No. 81032700)			
				<b>Note:</b>	291763 Carburetor Overhaul Kit (Used before Code No. 81033000)			
			158	27590	Filter—Carburetor Drain			
			159	220521	Retainer—Carburetor Drain Filter			
			163	27907	Gasket Air Cleaner			
				<b>Note:</b>	270730 Gasket—Air Cleaner Used on Type No. 0720.			
110	62899	Washer—Choke Lever				165	93453	Nut—Wing
	<b>Note:</b>	222712 Washer—Choke Lever Used on Type Nos. 0517, 0518, 0622, 0945, 0967, 0977, 0978, 0979, 0980, 0981, 0982, 0983, 0986, 0987, 0989,				166	390325	Stud—Air Cleaner (8-13/16" long)
								<b>Note:</b> 295947 Stud—Air Cleaner (8-13/32" long) Used on Type Nos. 0139, 0145, 0146, 0151, 0160, 0162, 0164, 0185, 0642, 0644, 0645, 0646, 0647, 0661, 0665, 0666, 0667, 0669, 0674, 0676, 0682, 0689, 0699, 0705, 0709, 0713, 0717, 0718, 0722, 0724, 0725, 0726, 0730, 0733, 0763, 0772, 0775, 0776, 0777, 0783, 0796, 0807, 0813, 0828, 0830, 0831, 0834, 0843, 0889, 0898, 0902, 0934, 0935, 0936, 1004.

†Included in Carburetor Overhaul Kit—Part No. 291763.

REF. NO.	PART NO.	DESCRIPTION	REF. NO.	PART NO.	DESCRIPTION	REF. NO.	PART NO.	DESCRIPTION
		<b>296429</b> Stud—Air Cleaner (9-29/32" long) Used on Type Nos. 0696, 0859, 0860, 0867, 0919.	<b>180</b>	<b>290816</b>	Tank Assembly—Fuel (4 quart)			0649, 0653, 0654, 0655, 0660, 0662, 0677, 0690, 0695, 0696, 0702, 0706, 0708, 0712, 0716, 0721, 0731, 0749, 0750, 0751, 0752, 0754, 0755, 0756, 0758, 0759, 0761, 0762, 0763, 0774, 0775, 0790, 0802, 0812, 0816, 0820, 0821, 0845, 0877, 0878, 0879, 0893, 0911, 0914, 0919, 0922, 0928, 0945, 0967, 0977, 0978, 0979, 0980, 0981, 0982, 0983, 0986, 0987, 0989, 0990, 0991, 0992, 0993, 0994, 0995, 0996, 0997, 0998, 0999, 1000, 1001, 1002, 1003, 1005, 1006, 1007, 1008, 1009, 1010, 1011, 1012, 1013, 1014, 1015, 1016, 1017, 1018, 1019, 1020, 1021, 1022, 1023, 1024, 1025, 1026.
		<b>390396</b> Stud—Air Cleaner (7-3/16" long) Used on Type Nos. 0148, 0639, 0720,		<b>Note:</b>	<b>291488</b> Tank Assy.—Fuel (6 quart) Used on Type Nos. 0133, 0134, 0141, 0142, 0155, 0156, 0158, 0169, 0174, 0175, 0176, 0177, 0189, 0191, 0635, 0640, 0662, 0664, 0668, 0670, 0671, 0672, 0680, 0681, 0683, 0688, 0690, 0701, 0704, 0706, 0709, 0713, 0721, 0723, 0735, 0739, 0740, 0744, 0748, 0752, 0753, 0758, 0759, 0763, 0769, 0775, 0789, 0792, 0793, 0805, 0811, 0823, 0844, 0857, 0863, 0865, 0869, 0876, 0880, 0884, 0889, 0891, 0906, 0909, 0913, 0916, 0920, 0927, 0938, 0951, 0953, 0962, 0965, 0966, 0985, 0990, 1015.			
		<b>392105</b> Stud & Strap Assembly Used on Type Nos. 0859, 0860, 0867, 0915, 0944, 0948, 0957, 0958, 0961, 0962, 0966, 0975, 0976, 0985.			<b>292415</b> Tank Assy.—Fuel (8 quart) Used on Type No. 0179.	<b>182</b>	<b>221935</b>	Bracket—Fuel Tank
<b>167</b>	<b>65978</b>	Seal—Air Cleaner Stud			<b>292944</b> Tank Assy.—Fuel (2 quart) Used on Type No. 0742.	<b>183</b>	<b>291367</b>	Strap Assembly—Fuel Tank
<b>168</b>	<b>222150</b>	Strap—Air Cleaner Pipe			<b>299072</b> Tank Assy.—Fuel Used on Type Nos. 0145, 0164, 0674, 0682, 0733, 0783.		<b>Note:</b>	<b>291490</b> Strap Assy.—Fuel Tank Used on Type Nos. 0133, 0134, 0141, 0142, 0155, 0156, 0158, 0169, 0174, 0175, 0176, 0177, 0179, 0191, 0635, 0640, 0662, 0664, 0668, 0670, 0671, 0672, 0680, 0681, 0683, 0688, 0690, 0701, 0704, 0706, 0709, 0713, 0721, 0723, 0735, 0739, 0740, 0744, 0748, 0752, 0753, 0758, 0759, 0763, 0769,
		<b>Note:</b> <b>222707</b> Strap—Air Cleaner Pipe Used on Type Nos. 0139, 0145, 0146, 0148, 0151, 0160, 0162, 0164, 0185, 0639, 0642, 0644, 0645, 0646, 0647, 0661, 0665, 0666, 0667, 0669, 0674, 0676, 0682, 0689, 0696, 0699, 0705, 0707, 0709, 0713, 0717, 0718, 0720, 0722, 0724, 0725, 0726, 0730, 0733, 0763, 0772, 0775, 0776, 0777, 0783, 0796, 0807, 0813, 0828, 0830, 0831, 0834, 0843, 0889, 0898, 0902, 0915, 0919.	<b>181</b>	<b>392301</b>	Cap—Fuel Tank			
				<b>Note:</b>	<b>297866</b> Cap—Fuel Tank Used on Type Nos. 0132, 0133, 0136, 0137, 0170, 0171, 0172, 0173, 0180, 0190, 0516, 0517, 0518, 0622, 0636,			
<b>169</b>	<b>90832</b>	Washer—Lock, 1/4" x 3/32" x 5/64"						
<b>171</b>	<b>92129</b>	Nut—Hex.—1/4-28						
<b>174</b>	<b>270730</b>	Gasket—Air Cleaner Mounting						

## 190400 to 190499

REF. NO.	PART NO.	DESCRIPTION	REF. NO.	PART NO.	DESCRIPTION	REF. NO.	PART NO.	DESCRIPTION
		0775, 0789, 0792, 0793, 0805, 0811, 0823, 0844, 0857, 0863, 0865, 0869, 0876, 0880, 0884, 0889, 0891, 0909, 0913, 0916, 0920, 0927, 0938, 0951, 0953, 0962, 0965, 0966, 0985, 0990, 1015.	<b>208</b>	<b>230841</b>	Rod—Governor Control	<b>216</b>	<b>261122</b>	Link—Choke
			<b>209</b>	<b>260695</b>	Spring—Governor		<b>Note:</b>	<b>261091</b> Link—Choke Used on Type Nos. 0015, 0130, 0140, 0157, 0161, 0175, 0176, 0177.
				<b>Note:</b>	<b>260723</b> Spring—Gov. Used on Type No. 0732.			<b>260880</b> Link—Choke Used on Type Nos. 0145, 0164, 0676.
					<b>260871</b> Spring—Gov. Used on Type Nos. 0010 thru 0193 except as noted below; also used on Type No. 0636.	<b>217</b>	<b>261119</b>	Spring—Choke Link
<b>184</b>	<b>91257</b>	Screw—Machine, Fil. Hd.—1/4-20 x 1-1/2"		<b>260902</b>	Spring—Gov. Used on Type Nos. 0185, 0665, 0935.		<b>Note:</b>	<b>260903</b> Spring—Choke Link Used on Type Nos. 0015, 0130, 0140, 0157, 0161, 0175, 0176, 0177, 0676.
<b>185</b>	<b>90970</b>	Nut—Square—1/4-20		<b>260931</b>	Spring—Gov. Used on Type No. 0729.	<b>218</b>	<b>222352</b>	Washer—Choke Link
<b>186</b>	<b>67218</b>	Connector—Fuel Pipe		<b>261126</b>	Spring—Gov. Used on Type Nos. 0622, 0668, 0672, 0674, 0682, 0688, 0689, 0704, 0722, 0733, 0761, 0800, 0809, 0831, 0835, 0898, 0899, 0914, 0915, 0919, 0921, 0922, 0923, 0930, 0931, 0944, 0951, 0952, 0954, 0965, 0972, 0973, 0977, 0978, 0979, 0984, 0985, 0989, 0991, 0998, 1009, 1013, 1014, 1022, 1024, 1025, 1026.	<b>219</b>	<b>391737</b>	Gear—Governor (Used after Code No. 75060511) <b>Note:</b> <b>297656</b> Gear—Governor (Used before Code No. 75060611)
<b>187</b>	<b>296004</b>	Pipe—Fuel (Flexible) 23" Long		<b>261129</b>	Spring—Gov. Used on Type Nos. 1002, 1003.	<b>220</b>	<b>221551</b>	Washer—Thrust
<b>188</b>	<b>93535</b>	Screw—Sem <b>Note:</b> <b>93623</b> Screw <b>90366</b> Washer—Lock Used to mount Screen to Pulley to Type Nos. 0638, 0694.		<b>261194</b>	Spring—Gov. Used on Type Nos. 0641, 0648, 0652, 0729, 0732, 0740, 0748, 0776, 0777, 0778, 0780, 0789, 0849, 0858, 0861, 0871, 0872, 0873, 0893, 0939, 0947, 0949, 0961, 0967, 0986, 0987, 0992, 0997, 1000, 1001, 1010, 1011, 1012, 1016, 1017, 1023.	<b>222</b>	<b>390670</b>	Plate—Gov. Control <b>Note:</b> <b>299012</b> Plate—Gov. Control Used on Type Nos. 0010 thru 0194 except as noted below; also used on Type Nos. 0636, 0676. <b>390166</b> Plate—Gov. Control Used on Type Nos. 0133, 0170, 0171, 0172, 0173. <b>390752</b> Plate—Gov. Control Used on Type Nos. 0516, 0517, 0653, 0654, 0655, 0690, 0706, 0749, 0750, 0751, 0752, 0758, 0759, 0774, 0802, 0812, 0878, 0879, 0893, 0986, 0987, 0990, 0992, 1001, 1015, 1017, 1023, 1025, 1026.
<b>189</b>	<b>90366</b>	Washer—Lock, 5/16 x 1/8 x 1/16"						
<b>192</b>	<b>91397</b>	Nut—Hex,—5/16-18						
<b>196</b>	<b>22907</b>	Support—Upper Fuel Tank <b>Note:</b> <b>222771</b> Support—Upper Fuel Tank Used on Type No. 0944.						
<b>198</b>	<b>293934</b>	Valve—Fuel Shut—Off						
<b>199</b>	<b>297563</b>	Outlet—Fuel Tank <b>Note:</b> <b>292797</b> Outlet—Tank (Includes Strainer) Used on Type No. 0742.						
<b>200</b>	<b>221760</b>	Guide—Air						
<b>201</b>	<b>260872</b>	Link—Governor <b>Note:</b> <b>260478</b> Spring— Governor Link Used on Type Nos. 0570, 0571, 0772, 0813, 0855, 0856, 0905, 0906, 0907, 0917, 0929, 0934, 0935, 0936, 0946, 0953, 0968, 0969, 0974.						
<b>206</b>	<b>230149</b>	Nut—Gov. Control Rod						
<b>207</b>	<b>26855</b>	Spring—Gov. Control Rod						



REF. NO.	PART NO.	DESCRIPTION	REF. NO.	PART NO.	DESCRIPTION	REF. NO.	PART NO.	DESCRIPTION
227	391965	Lever Assembly—Governor (For 1/4" dia. Crank—Used after Code No. 75060511) <b>Note:</b> 299165 Lever Assy.—Governor (For 3/16" dia. Crank—Used before Code No. 75060611)	266	390802	Control—Throttle <b>Uses:</b> 261137 Spring—Throttle Return <b>Note:</b> 291460 Control—Throttle (Disc Type)			390421 Muffler—Exhaust Used on Type Nos. 0132, 0135, 0136, 0137, 0184, 0636, 0659, 0685, 0686, 0690, 0705, 0712.
229	220680	Washer	268	65616	Casing—Control Wire—72" long <b>Note:</b> If longer casing is required, specify length in inches; if shorter wire is needed, order No. 65616 and cut to required length.			390578 Muffler—Exhaust Used on Type Nos. 0133, 0641, 0648, 0689, 0693, 0706, 0722, 0756, 0761, 0798, 0806, 0812, 0821, 0858, 0949.
230	222450	Washer—Governor Crank (1/4" I.D.) <b>Note:</b> 221559 Washer—Gov. Crank (3/16" I.D.)	269	26633	Wire—Control—78" long <b>Note:</b> If longer wire is required, specify length in inches; if shorter wire is needed, order No. 26633 and cut to required length.			222268 Connector—Cable 222267 Anchor—Return Spring 261137 Spring—Throttle Return 260816 Spring—Governor Control Used on Type No. 0822.
231	93064	Screw—Sem				300A	391313	Muffler—Exhaust <b>Note:</b> 391232 Guard—Muffler <b>Uses:</b> 93606 Screw—Guard to Muffler 222379 Retainer—Guard Used on Type Nos. 0795, 0886.
240	393169	Filter Assy.—Fuel <b>Note:</b> 295977 Filter Assy.—Fuel Used on Type No. 0889.						299629 Muffler—Exhaust Used on Type No. 0189.
240A	298090	Filter—Fuel (In Fuel Pipe)	270	63426	Locknut—Control Wire Casing	300B	392101	Muffler—Exhaust
241	296005	Cover Assy.—Fuel Filter <b>Note:</b> 296019 Cover Assy.—Fuel Filter Used on Type No. 0889.	271	290568	Lever Assy.—Control	301	91245	Nipple—Exhaust
242	295913	Valve and Cover—Fuel Shut-Off	278	22358	Washer—Flat <b>Note:</b> 22776 Washer—Flat Used on Type No. 0145.	303	91246	Elbow—Muffler—45° <b>Note:</b> 91219 Elbow—Muffler, 45°, Street Used on Type Nos. 0139, 0147, 0152, 0642, 0643, 0651, 0668, 0688, 0708, 0743, 0785, 0807, 0817, 0898, 0931, 0940.
243	22547	Screen—Fuel Filter	298	261409	Muffler—Locknut			
244	230318	Connector—Fuel Pipe <b>Note:</b> 67218 Connector—Fuel Pipe Used on Type No. 0889.	300	390249	Muffler—Exhaust <b>Note:</b> 221866 Support—Muffler Used on Type Nos. 0145, 0164, 0638, 0646, 0647, 0674, 0676, 0682, 0694, 0724, 0725, 0726, 0733, 0825, 0828.			
245	* 68477	Gasket—Fuel Filter Bowl						
246	298683	Bowl—Fuel Filter						
247	99665	Yoke—Fuel Filter						
265	221535	Clamp—Casing <b>Note:</b> 220680 Washer—Flat Used between Clamp and Insulator Used on Type Nos. 0518, 0754, 0755, 0943, 0945, 0989, 0999, 1014, 1024. 221370 Clamp—Casing Used on Type Nos. 0685, 0686, 0741.						

\*Included in Gasket Set—  
Part No. 299577.

## 190400 to 190499

REF. NO.	PART NO.	DESCRIPTION	REF. NO.	PART NO.	DESCRIPTION	REF. NO.	PART NO.	DESCRIPTION
		<b>91464</b> Elbow—Muffler, 90°, Street Used on Type Nos. 0132, 0136, 0137, 0145, 0148, 0153, 0164, 0636, 0638, 0639, 0646, 0647, 0666, 0669, 0673, 0674, 0676, 0682, 0690, 0694, 0696, 0701, 0707, 0712, 0720, 0724, 0725, 0726, 0729, 0733, 0740, 0741, 0783, 0797, 0799, 0825, 0828, 0843, 0850, 0856, 0862, 0885, 0903, 0905, 0919, 0968, 0969, 0972, 0974, 1004.			<b>299412</b> Housing— Blower Used on Type Nos. 0132, 0136, 0137, 0170, 0622, 0636, 0653, 0660, 0677, 0690, 0712, 0749, 0756, 0790, 0816, 0820, 0845, 0967, 0977, 0997, 0998, 1009, 1011.			<b>299887</b> Housing— Blower Used on Type No. 0688.
		<b>392155</b> Elbow—Muffler, 90°, Street Furnished by Customer Used on Type Nos. 0870, 0907.			<b>299413</b> Housing— Blower Used on Type Nos. 0133, 0171, 0172, 0173, 0190, 0516, 0518, 0649, 0654, 0655, 0662, 0695, 0706, 0716, 0750, 0751, 0752, 0758, 0759, 0762, 0774, 0802, 0812, 0821, 0911, 0928, 0978, 0979, 0980, 0981, 0982, 0983, 0990, 0993, 0994, 0995, 0996, 1000, 1003, 1005, 1006, 1007, 1008, 1010, 1012, 1015, 1016, 1018, 1019, 1020, 1021, 1025.			<b>390497</b> Housing— Blower Used on Type Nos. 0877, 0986.
<b>304</b>	<b>299853</b>	Housing—Blower			<b>299860</b> Housing— Blower Used on Type Nos. 0040, 0113, 0139, 0145, 0156, 0179, 0540, 0570, 0613, 0644, 0674, 0676, 0682, 0733, 0734, 0736, 0744, 0771, 0783, 0833, 0850, 0851, 0885, 0972.	<b>305</b>	<b>93158</b>	Screw—Sem
	<b>Note:</b>	<b>299392</b> Housing— Blower Used on Type Nos. 0112, 0114, 0123, 0124, 0125, 0135, 0146, 0148, 0149, 0155, 0160, 0165, 0175, 0178, 0182, 0192, 0525, 0571, 0612, 0614, 0623, 0624, 0625, 0635, 0639, 0642, 0647, 0658, 0659, 0661, 0669, 0675, 0678, 0686, 0696, 0698, 0699, 0701, 0704, 0705, 0713, 0718, 0720, 0725, 0726, 0730, 0741, 0742, 0747, 0766, 0767, 0777, 0778, 0781, 0791, 0796, 0803, 0805, 0811, 0824, 0828, 0870, 0887, 0902, 0907, 0919, 0926, 0932, 0951, 0955, 0959, 0965, 0969, 0974, 1002.			<b>299861</b> Housing— Blower Used on Type Nos. 0638, 0694, 0801, 0825, 0829.	<b>306</b>	<b>222830</b>	Shield—Cylinder
					<b>299862</b> Housing— Blower Used on Type Nos. 0152, 0651, 0668, 0743.	<b>307</b>	<b>93163</b>	Screw—Cylinder Shield Mtg. Sem
						<b>308</b>	<b>221901</b>	Cover—Cylinder Head
							<b>Note:</b>	<b>222351</b> Cover— Cylinder Head Used on Type No. 0800.
						<b>309</b>		Motor—Starting (12 Volt) <b>See Chart for Replacement Parts for Starting Motors on Page 6.</b>
						<b>309A</b>		Motor—Starting (110 Volt) <b>See Chart for Replacement Parts for Starting Motors on Pages 6 and 7.</b>
						<b>321</b>	<b>211521</b>	Fan—Starter Clutch <b>Uses:</b> <b>395347</b> Clutch Assy. <b>298799</b> Ratchet Assy.

## 190400 to 190499

REF. NO.	PART NO.	DESCRIPTION	REF. NO.	PART NO.	DESCRIPTION	REF. NO.	PART NO.	DESCRIPTION
		<b>91464</b> Elbow—Muffler, 90°, Street Used on Type Nos. 0132, 0136, 0137, 0145, 0148, 0153, 0164, 0636, 0638, 0639, 0646, 0647, 0666, 0669, 0673, 0674, 0676, 0682, 0690, 0694, 0696, 0701, 0707, 0712, 0720, 0724, 0725, 0726, 0729, 0733, 0740, 0741, 0783, 0797, 0799, 0825, 0828, 0843, 0850, 0856, 0862, 0885, 0903, 0905, 0919, 0968, 0969, 0972, 0974, 1004.			<b>299412</b> Housing— Blower Used on Type Nos. 0132, 0136, 0137, 0170, 0622, 0636, 0653, 0660, 0677, 0690, 0712, 0749, 0756, 0790, 0816, 0820, 0845, 0967, 0977, 0997, 0998, 1009, 1011.			<b>299887</b> Housing— Blower Used on Type No. 0688.
		<b>392155</b> Elbow—Muffler, 90°, Street Furnished by Customer Used on Type Nos. 0870, 0907.		<b>299413</b> Housing— Blower Used on Type Nos. 0133, 0171, 0172, 0173, 0190, 0516, 0518, 0649, 0654, 0655, 0662, 0695, 0706, 0716, 0750, 0751, 0752, 0758, 0759, 0762, 0774, 0802, 0812, 0821, 0911, 0928, 0978, 0979, 0980, 0981, 0982, 0983, 0990, 0993, 0994, 0995, 0996, 1000, 1003, 1005, 1006, 1007, 1008, 1010, 1012, 1015, 1016, 1018, 1019, 1020, 1021, 1025.			<b>390497</b> Housing— Blower Used on Type Nos. 0877, 0986.	
<b>304</b>	<b>299853</b>	Housing—Blower <b>Note:</b> <b>299392</b> Housing— Blower Used on Type Nos. 0112, 0114, 0123, 0124, 0125, 0135, 0146, 0148, 0149, 0155, 0160, 0165, 0175, 0178, 0182, 0192, 0525, 0571, 0612, 0614, 0623, 0624, 0625, 0635, 0639, 0642, 0647, 0658, 0659, 0661, 0669, 0675, 0678, 0686, 0696, 0698, 0699, 0701, 0704, 0705, 0713, 0718, 0720, 0725, 0726, 0730, 0741, 0742, 0747, 0766, 0767, 0777, 0778, 0781, 0791, 0796, 0803, 0805, 0811, 0824, 0828, 0870, 0887, 0902, 0907, 0919, 0926, 0932, 0951, 0955, 0959, 0965, 0969, 0974, 1002.		<b>299860</b> Housing— Blower Used on Type Nos. 0040, 0113, 0139, 0145, 0156, 0179, 0540, 0570, 0613, 0644, 0674, 0676, 0682, 0733, 0734, 0736, 0744, 0771, 0783, 0833, 0850, 0851, 0885, 0972.			<b>390516</b> Housing— Blower Used on Type Nos. 0180, 0517, 0702, 0754, 0755, 0878, 0879, 0893, 0914, 0921, 0922, 0945, 0987, 0989, 0991, 0992, 0999, 1001, 1013, 1014, 1017, 1022, 1023, 1024, 1026.	
				<b>299861</b> Housing— Blower Used on Type Nos. 0638, 0694, 0801, 0825, 0829.		<b>391480</b> Housing— Blower <b>Uses:</b> <b>93420</b> Screw (3) <b>90355</b> Nut (3) Used on Type No. 0800.		
				<b>299862</b> Housing— Blower Used on Type Nos. 0152, 0651, 0668, 0743.		<b>305</b>	<b>93158</b>	Screw—Sem
						<b>306</b>	<b>222830</b>	Shield—Cylinder
						<b>307</b>	<b>93163</b>	Screw—Cylinder Shield Mtg. Sem
						<b>308</b>	<b>221901</b>	Cover—Cylinder Head <b>Note:</b> <b>222351</b> Cover— Cylinder Head Used on Type No. 0800.
						<b>309</b>		Motor—Starting (12 Volt) <b>See Chart for Replacement Parts for Starting Motors on Page 6.</b>
						<b>309A</b>		Motor—Starting (110 Volt) <b>See Chart for Replacement Parts for Starting Motors on Pages 6 and 7.</b>
						<b>321</b>	<b>211521</b>	Fan—Starter Clutch <b>Uses:</b> <b>395347</b> Clutch Assy. <b>298799</b> Ratchet Assy.

REF. NO.	PART NO.	DESCRIPTION	REF. NO.	PART NO.	DESCRIPTION	REF. NO.	PART NO.	DESCRIPTION			
		395354 Housing—Clutch	341	93381	Screw—Breaker Arm Mounting Sem	347	220884	Switch—Stop (For 1-1/2" High—37 & 42 M.M. Spark Plug)			
		93335 Screw—Sem (To Mount Fan to Starter Clutch) Used on Type Nos. 0152, 0651, 0668, 0688, 0743.	342	65704	Plunger—Breaker Point		<b>Note:</b>	221808 Switch—Stop (For 2" High—51 M.M. Spark Plug)			
321A	210899	Pulley—Electric Starter	345	222117	Cover—Breaker Point	347A	298926	Switch—Stop (For 1-1/2" High—37 & 42 M.M. Spark Plug)			
322	90931	Screw—Cap, Hex. Hd.—1/4-20 x 2-1/4"		<b>Note:</b>	222170 Cover—Breaker Point Used on Type Nos. 0132, 0133, 0136, 0137, 0170, 0171, 0172, 0173, 0180, 0190, 0516, 0517, 0518, 0622, 0636, 0649, 0653, 0654, 0655, 0660, 0662, 0677, 0690, 0695, 0696, 0702, 0706, 0712, 0716, 0721, 0749, 0750, 0751, 0752, 0754, 0755, 0756, 0758, 0759, 0762, 0763, 0774, 0775, 0790, 0802, 0812, 0816, 0820, 0821, 0845, 0877, 0878, 0879, 0893, 0911, 0914, 0919, 0921, 0922, 0945, 0967, 0977, 0978, 0979, 0980, 0981, 0982, 0983, 0986, 0987, 0989, 0990, 0991, 0992, 0993, 0994, 0995, 0996, 0997, 0998, 0999, 1000, 1001, 1002, 1003, 1005, 1006, 1007, 1008, 1009, 1010, 1011, 1012, 1013, 1014, 1015, 1016, 1017, 1018, 1019, 1020, 1021, 1022, 1023, 1024, 1025, 1026.					<b>Note:</b>	293739 Switch—Stop (For 2" High—51 M.M. Spark Plug) Used on Type Nos. 0856, 0870, 0871, 0872, 0961.
323	67708	Belt—Vee				351	93735	Screw—Terminal (Truss Hd)			
	<b>Note:</b>	68588 Belt—Vee Used on Type Nos. 0801, 0829.					<b>Note:</b>	91920 Screw—Terminal (Fillister Hd)			
		68898 Belt—Vee Used on Type Nos. 0638, 0825.				352	66068	Washer—Insulating			
324	221067	Screen				353	92791	Washer—Lock—Shakeproof (3)			
	<b>Note:</b>	93623 Screw				354	90576	Nut—Hex.—8-32 (2)			
		93507 Washer—Lock Used to mount Screen to Pulley on type Nos. 0638, 0694, 0783, 0825.				355	66554	Collar—Insulating			
325	299307	Pulley and Screen—Rope Starter				356	299500	Wire—Ground			
328	221447	Guard—Belt					<b>Note:</b>	391013 Wire—Ground Used on Type No. 1025.			
	<b>Note:</b>	222104 Guard—Belt Used on Type Nos. 0638, 0694, 0825.						391255 Wire—Jumper Used in addition to No. 299500 Ground Wire on Type Nos. 0518, 0754, 0755, 0768, 0794, 0914, 0921, 0922, 0943, 0945, 0989, 0991, 0999, 1013, 1014, 1022, 1024.			
332	92284	Nut				357	91540	Key—Pulley			
333	298968	Armature Assembly				358	299577	Gasket Set			
	<b>Note:</b>	299366 Armature Assembly Used on Type No. 0901.				362	291630	Shield—Spark Plug (With Stop Switch)			
334	93381	Screw—Armature Mounting Sem					<b>Note:</b>	89742 Shield—Spark Plug Used on Type Nos. 0792, 0801.			
337	298809	Plug—Spark (1-1/2" high—37-42 M.M.)	346	93705	Screw—Sem						
	<b>Note:</b>	29693 Plug—Spark (2" high—51 M.M.)		<b>Note:</b>	91920 Screw						
		293918 Plug—Spark (1-1/2" high—37-42 M.M.) (Resistor Type)			26157 Spring Used on Control Plate on Type No. 0165.						
		392588 Plug—Spark (2" high—51 M.M. Resistor Type)									
340	26018	Spring—Breaker Arm									

## 190400 to 190499

REF. NO.	PART NO.	DESCRIPTION	REF. NO.	PART NO.	DESCRIPTION	REF. NO.	PART NO.	DESCRIPTION			
363	19165	Puller—Flywheel (2" hole spacing) (Optional Accessory)	474	393474	Stator—Alternator		390740	Bracket— Output			
364	280081	Socket—Regulator and Rectifier Lead Wire		<b>Note:</b> 393295	Stator— Alternator (10 Amp.) (Does Not Use Ref. Nos. 877 and 878)		<b>Uses:</b> 93523	Screw—Mounting Used on Type No. 0803.			
367	93380	Screw—Sem	474A	393800	Stator and Bracket— Alternator	491	222115	Bracket—Rectifier Plug			
372	220477	Clamp—Condenser		<b>Note:</b> 393809	Stator— Alternator (Diode Type) Used on Type Nos. 0571, 0887, 0902, 0926, 0928, 0951, 0959, 0965, 0978.	492	296028	Starter—Generator (12 Volt) (Delco-Remy No. 1101873 and Pulley— Delco-Remy No. 1949358)			
373	92987	Nut—Hex.		<b>Note:</b> 391595	Stator and Bracket—Alternator Used on Type Nos. 0810, 0814, 0815, 0840, 0867, 0872, 0970, 0980, 0981, 0993, 0995, 1005, 1007, 1009, 1019, 1021.		<b>Note:</b> 298590	Switch— Ignition			
375	294628	Breaker Points and Condenser Set <b>Note:</b> 299061 Ignition Kit <b>Includes:</b> 294628 Point Set 65704 Plunger 61760 Key—Flywheel		474B	Stator—Alternator (Order No. 391735) <b>Note:</b> Used on Type Nos. 0123, 0124, 0125, 0135, 1046, 0148, 0149, 0155, 0160, 0165, 0175, 0178, 0182, 0192.		299139	Switch— Starting Used on Type No. 0156.			
380	91324	Washer—Plain <b>Note:</b> 62199 Washer— Guard Mounting Used on Type Nos. 0801, 0829.		478	222751	Panel—Instrument		390555	Starter— Generator (12 Volt) Delco-Remy No. 1101695 and Pulley Delco-Remy No. 1949358.		
383	89838	Wrench—Spark Plug		481	230976	Bushing—Stator (Loose)	493	211594	Bracket—Starter <b>Note:</b> 211775 Bracket— Starter Used on Type Nos. 0638, 0694, 0825.		
387	390765	Pump—Impulse <b>Note:</b> Order No. 394462 For Pump Repair Kit 390818 Pump—Impulse Used on Type Nos. 0642, 0666, 0669, 0699, 0730, 0741, 0796, 0800.		482	93621	Screw—Sem	497	91203	Screw—Cap, Hex. Hd.—5/16-18 x 1-3/4" <b>Note:</b> 91162 Screw—Cap, Hex. Hd.— 5/16-18 x 1-1/2 Used to mount Starter Bracket to Cylinder on Type Nos. 0638, 0694, 0825.		
411	93448	Plug—Oil Level Hole		485	390888	Knob Assembly—Fuse		500	91325	Washer—Plain	
423	93410	Screw—Sem		486	391507	Diode—Alternator		501	393374	Regulator—Alternator (10 Amp.)	
444	390588	Cover—Air Cleaner		486A	67125	Fuse—7-1/2 Ampere					
445	390492	Cartridge—Air Cleaner		486B	67345	Fuse—15 Ampere Used on Type Nos. 0123, 0124, 0125, 0135, 0146, 0148, 0149, 0155, 0165, 0175, 0178, 0182.					
445A	390930	Cartridge		488	222211	Bracket—Output <b>Note:</b> 222350 Retainer— Output Bracket Uses No. 93171 Screw for Mounting No. 222211 Bracket to Retainer on Type No. 0800.					
446	221969	Support—Air Cleaner									
451	90364	Washer—Lock—No. 8 x 3/64 x 1/32 <b>Note:</b> 93664 Washer—Lock— Shakeproof Used on Type No. 0145.									
455	222561	Cup—Screen Mounting									
468	222562	Screen—Flush Rotating <b>Note:</b> 222302 Screen (Stationary) <b>Uses:</b> 93572 Screw (8) 231020 Spacer (4) 93917 Lockwasher (4) Used on Type Nos. 0725, 0726, 0828.									

REF. NO.	PART NO.	DESCRIPTION	REF. NO.	PART NO.	DESCRIPTION	REF. NO.	PART NO.	DESCRIPTION
501A	295924	Regulator—Voltage (Delco-Remy No. 1118988) <b>Note:</b> 297196 Regulator—Voltage (Delco-Remy No. 1119577) <b>Uses:</b> 297197 Clamp (Regulator to Gen.) 67245 Lamp—Charge Indicator 221745 Panel—Instrument 298586 Holder—Charge Indicator Lamp Used on Type No. 0156.	523B	297357	Cap—Oil Filler <b>Note:</b> 295923 Cap Assy.—Oil Filler <b>Uses:</b> 65304 Gasket 230553 Nipple—Oil Filler (5/4" Lg.)	605A	297187	Bracket—Guard (Upper) <b>Note:</b> 222107 Bracket—Guard Used on Type Nos. 0638, 0694, 0825. 298758 Bracket—Guard Used on Type Nos. 0801, 0829.
506	90200	Screw—Machine, Fil. Hd.—8-32 x 1/2"	524	68838	Seal—Filler Tube	605B	297171	Bracket—Guard (Lower)
507	66895	Insulator Screw	524A	65304	Gasket—Oil Filler Cap	606	221443	Strap—Adjusting <b>Note:</b> 221790 Strap—Adjusting Used on Type Nos. 0801, 0829. 222105 Strap—Adjusting Used on Type Nos. 0638, 0694, 0825.
508	93294	Screw—Sem <b>Note:</b> 93158 Screw—Sem (3) Used to mount Guard to Bracket on Type Nos. 0638, 0694 93357 Screw—Sem (3) Used to mount Guard to Guard Bracket on Type Nos. 0694, 0801, 0829.	525	299284	Tube—Oil Filler <b>Note:</b> 391225 Tube—Oil Filler Used on Type No. 0800.	608	390391	Starter Assembly—Rewind <b>Note:</b> For Starter Assy. with longer than standard Rope—order No. 29964 298340 Starter Assy.—Rewind Used on Type Nos. 0152, 0651, 0668, 0688, 0743.
516	260374	Spring—Connector	525A	390970	Tube—Oil Filler			
517	295423	Pulley—Rope Starter <b>Note:</b> 297887 Pulley—Rope Starter Used on Type Nos. 0135, 0192, 0659, 0686.	525B	91258	Nipple—Oil Filler (2 1/2" Lg.) <b>Note:</b> 230553 Nipple—Oil Filler (5/4" Lg.)	613	93704	Screw—Muffler Mtg. <b>Note:</b> 93549 Screw—Muffler Mounting Used on Type No. 0189.
518	69932	Rope—Starter	526	93343	Screw—Regulator	614	93306	Cotter—Hair Pin
520	93722	Terminal—Spade	528	390674	Pipe—Vent	615	93307	Retainer—E-Ring
521	298529	Shielding—Ignition Cable	535	270093	Element—Air Cleaner	616	231057	Crank—Governor (1/4" diameter) Used after Code No. 75060511.
523	390848	Cap and Dipstick—Oil Filler <b>Note:</b> 391226 Cap and Dipstick—Oil Filler Used on Type No. 0800.	535A	270782	Element—Air Cleaner			<b>Note:</b> 231070 Crank—Gov. (3/16" diameter) Used before Code No. 75060611.
523A	390969	Cap and Dipstick—Oil Filler	536	390400	Cleaner Assy.—Air	621	297472	Switch—Stop
			536A	391063	Cleaner Assy.—Air	635	66538	Elbow—Spark Plug
			538	390167	Rod—Control			
			552	231056	Bushing—Governor Crank (1/4" inside diameter) Used after Code No. 75060511. <b>Note:</b> 230843 Bushing—Governor Crank (3/16" inside dia.) Used before Code No. 75060611.			
			561	92278	Nut—Hex. (1/4-20)			
			562	92613	Bolt—Governor Lever			
			575	299139	Switch—Starting			
			578	392683	Wire—Starter Switch			
			578A	393109	Wire—Switch (Starter Switch to Alternator)			
			592	231082	Nut—Hex.—10-24			
			600	270055	Spacer—Air Cleaner Mounting			
			601	93053	Clamp—Fuel Pipe			
			605	222934	Bracket—Regulator			

## 190400 to 190499

REF. NO.	PART NO.	DESCRIPTION	REF. NO.	PART NO.	DESCRIPTION	REF. NO.	PART NO.	DESCRIPTION
642	221468	Cover—Air Cleaner	676B	393759	Deflector—Exhaust (Direct Outlet)			0758, 0762, 0767, 0774, 0781, 0791, 0796, 0802, 0803, 0812, 0821, 0893, 0914, 0919, 0921, 0922, 0945, 0979, 0981, 0982, 0987, 0989, 0990, 0991, 0992, 0993, 0994, 0999, 1000, 1001, 1003, 1005, 1006, 1010, 1013, 1014, 1015, 1017, 1018, 1019, 1022, 1023, 1024, 1025, 1026.
	<b>Note:</b>	221634 Cover—Air Cleaner Used on Type Nos. 1639, 1644, 1651, 1652, 1670, 1671, 1675, 1696, 1700.		<b>Note:</b>	For Spark Arrester Assy. use No. 392195. Used on Type No. 0906.			221968 Guard—Upper Ring Gear <b>Uses:</b> 93623 Screw—Mtg. 90366 Lockwasher Used on Type Nos. 0796, 0803.
642A	222271	Cover—Air Cleaner	682	211516	Shield—Starter Clutch			
643	280001	Cup—Air Cleaner	687	298957	Slide—Friction Control			
643A	222272	Cup—Air Cleaner	688	221766	Cap—Friction Spring			
645	23513	Bushing—Plunger	689	260847	Spring—Friction			
648	91439	Screw—Cap, Hex. Hd.—1/4-20 x 3/8"	690	92484	Screw—Machine, Fil. Hd.—10-32 x 1/2"			
	<b>Note:</b>	93158 Screw—Sem (1) Used on Type Nos. 0638, 0694.	725	221885	Shield—Heat			
655	222598	Anchor—Spring	726	392134	Gear—Ring (Aluminum—includes Mounting Parts) Used after Code No. 75022610. For use only with Starter Motors with Plastic Drive Gear.	728	93523	Screw—Sem
	<b>Note:</b>	221014 Anchor—Spring (Used before Code No. 73061111)		<b>Note:</b>	391246 Gear—Ring (Aluminum—includes Mounting Parts) Used before Code No. 75022711. For use only with Starter Motors with Plastic Drive Gear		<b>Note:</b>	22776 Washer—Flat (Used with Screw on 110 Volt American Bosch Starter Motors only)
657	93496	Screw—Sem	726A	299543	Gear—Ring (Steel) (Includes Mounting Parts) For use only with Starter Motors with Steel Drive Gear	729	221907	Clip—Wire
664	93415	Screw—Sem 1/4-20 x 3/4" long	727	391629	Cover and Shield—Starter	730	299384	Stack—Carb.
665	298858	Oil Minder		<b>Note:</b>	221940 Guard—Ring Gear <b>Uses:</b> 93712 Screw (2) 93713 Lockwasher (2) Used to mount Guard on Type Nos. 0114, 0133, 0171, 0180, 0190, 0516, 0517, 0518, 0614, 0649, 0654, 0695, 0696, 0702, 0706, 0713, 0716, 0751, 0752, 0754, 0755,	731	299391	Hood—Snow
	<b>Note:</b>	298859 Oil Minder Used on Type Nos. 0183, 0191, 0666, 0669, 0672, 0680, 0704, 0808, 0838, 0841, 0842, 0863, 0873.					<b>Note:</b>	299602 Hood—Snow Used on Type Nos. 0132, 0136, 0137, 0636, 0690, 0712. 390498 Hood—Snow Used on Type No. 0180. 391166 Hood—Snow <b>Uses:</b> 222322 Strap—Support 93730 Stud—Strap to Crankcase Cover 93490 Screw—Strap to Hood 93203 Nut—Hex. (1) 90366 Washer—Lock (2) Used on Type Nos. 0749, 0750, 0751, 0752, 0755, 0758, 0759, 0790, 0816, 0820, 0821, 0845, 0878, 0879, 0893,
665	298858	Oil Minder						
	<b>Note:</b>	298860 Oil Minder Used on Type Nos. 0806, 0837, 0840, 0859, 0867, 0871, 0872, 0875.						
673	93705	Screw—Retainer						
676	222261	Deflector—Exhaust						
	<b>Note:</b>	For Spark Arrester Assy. Use No. 392193. Used on Type No. 0900. 393761 Deflector—Exhaust Used on Type No. 0895.						
676A	393758	Deflector—Exhaust						
	<b>Note:</b>	For Spark Arrester Assy. Use No. 392194.						

REF. NO.	PART NO.	DESCRIPTION	REF. NO.	PART NO.	DESCRIPTION	REF. NO.	PART NO.	DESCRIPTION
		0911, 0914, 0922, 0928, 0945, 0967, 0977, 0978, 0979, 0987, 0997, 0998, 0999, 1000, 1002, 1003, 1016.	809B	390546	Rectifier—Alternator <b>Note:</b> Used on Type Nos. 0123, 0124, 0125, 0135, 0146, 0148, 0149, 0155, 0165, 0175, 0178, 0182. 390408 Rectifier— Alternator	836	93559	Screw—Sem <b>Note:</b> 93587 Screw—Sem To mount Guard, Re- tainer and Muffler Bracket to Head Used on Type Nos. 0795, 0886.
732	93490	Screw—Sem				840	392918	Panel Kit—Starter (Toggle Switch) <b>Note:</b> 392725 Panel Kit— Starter (Key Switch)
735	390966	Cord—Starter (Approved for Canadian use)			<b>Uses:</b> 230982 Spacer Used on Type Nos. 0160, 0192.	841	393514	Clamp—Regulator
762	297335	Electric Starter— Generator Kit—12 Volt (Low Position)	813	93660	Clamp—Diode <b>Note:</b> 390611 Clamp—Diode Used on Type No. 0145.	843	280149	Sleeve—Choke Lever
763	391604	Starter Kit—12 Volt (Gear Drive)				843A	280147	Knob—Choke Lever (For Sno-Gard Engines)
763A	393611	Electric Starter Kit— 110 Volt (Gear Drive) (Cannot be used with Alternator)	814	390867	Wire Assembly— Alternator	844	261269	Spring—Diode
781	280068	Cap—Starter Pulley	815	93661	Screw—Sem <b>Note:</b> 93535 Screw—Sem Used on Type No. 0145.	851	221798	Terminal—Ignition Cable
788	222221	Bracket—Impulse Pump Mounting				861	394462	Repair Kit—Pump (Walbro)
795	392697	Switch—Ignition (Toggle) <b>Uses:</b> 93888 Nut—Hex. <b>Note:</b> 392833 Switch— Ignition (Key)	817	390624	Diode Assembly— Isolation <b>Note:</b> 390627 Diode Assembly—Isolation Used on Type No. 0145. For Isolation Diode Kit for 7 Amp. Alternator, Order No. 390607.	869	211661	Seat—Intake Valve (Standard)
800	222212	Retainer				870	211661	Seat—Exhaust Valve (Standard) <b>Note:</b> For options see Repair Instruction Manual. Guide—Exhaust Valve 231218 or 230655 <b>See Repair Manual</b>
805	231001	Locknut—Impulse Pump	818	390608	Diode—Isolation	871		
806	390545	Regulator—Alternator	819	93680	Screw—Sem	877	393456	Diode and Connector Assy. (Dual Circuit)
809	390892	Rectifier—Alternator	826	392684	Wire—Panel (Starter Switch to Ground Wire Terminal)	877A	393814	Diode and Connector Assy. (D.C.)
809A	390892	Rectifier—Alternator				878	393362	Alternator Harness Assy. (Dual Circuit)
						878A	393422	Alternator Harness Assy.
						887	391529	Stator Assembly— Alternator (D.C.)
						917	223271	Valve Handle— Fuel Shut-Off