

**146700 to 146708**

**147700 to 147703**

## **Illustrated Parts List**

### **MODEL SERIES**

**146700 to 146708**

#### **TYPE NUMBERS**

0010 through 0019

0110 through 0165

0510 through 0664

1010 through 1154

1610 through 1639

**147700 to 147703**

#### **TYPE NUMBERS**

0110 through 0133

#### **TO FIND**

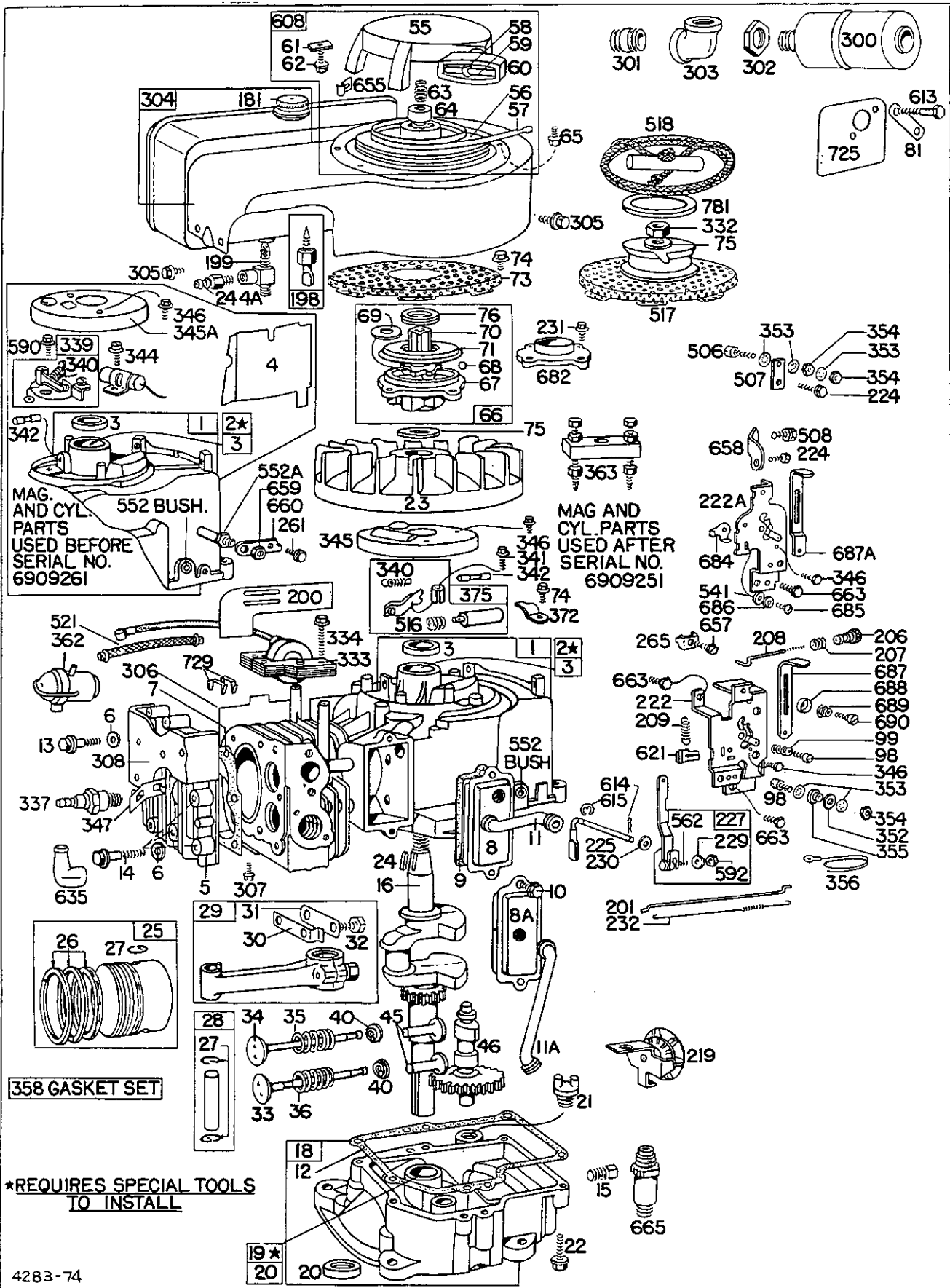
**THE CORRECT NUMBER OF THE PART YOU NEED:  
FOLLOW THE INSTRUCTIONS BELOW:**

- A. Refer to Engine Model, Type and Code Number that is stamped on the blower housing or name plate of engine. Engine type numbers such as 0147 01 are listed herein only as 0147. The two digits (01 or 02, etc.) to the right of the space are not needed for parts identification. Then use the Illustrated Parts List covering these Model Series.
- B. Refer to Illustrated Parts section and compare the old part with illustration. The number on the illustration is the Reference Number. Assemblies include all parts shown in frames. All parts shown in assembly frames on which individual reference numbers are given can be purchased separately.
- C. After the Reference Number has been identified, refer to the Numerical Parts List, where Reference and Master Part Numbers are listed. **THE MASTER PART IS USED ON ALL TYPE NUMBERS EXCEPT THOSE TYPE NUMBERS UNDER "NOTE"**.
- D. If a "Note" appears below the Master Part Number, this means that this part differs from the Master Part for certain types. If the Type Number is listed under "Note", order the part referred to.
- E. If the Engine Type Number does not appear after any part number listed under "Note", use the Master Part Number.
- F. For Type Numbers higher than those covered by this book, please refer to the factory if you are unable to identify the part by comparison.

PRINTED IN U.S.A.

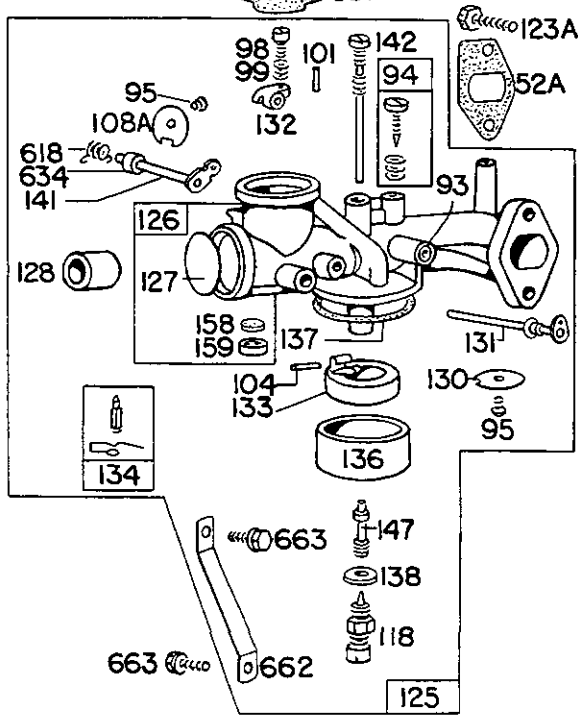
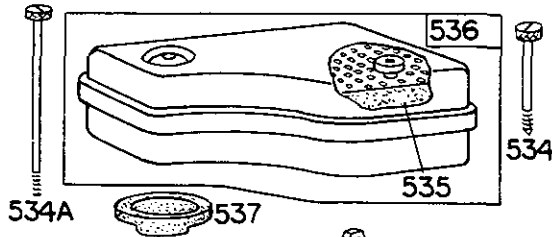
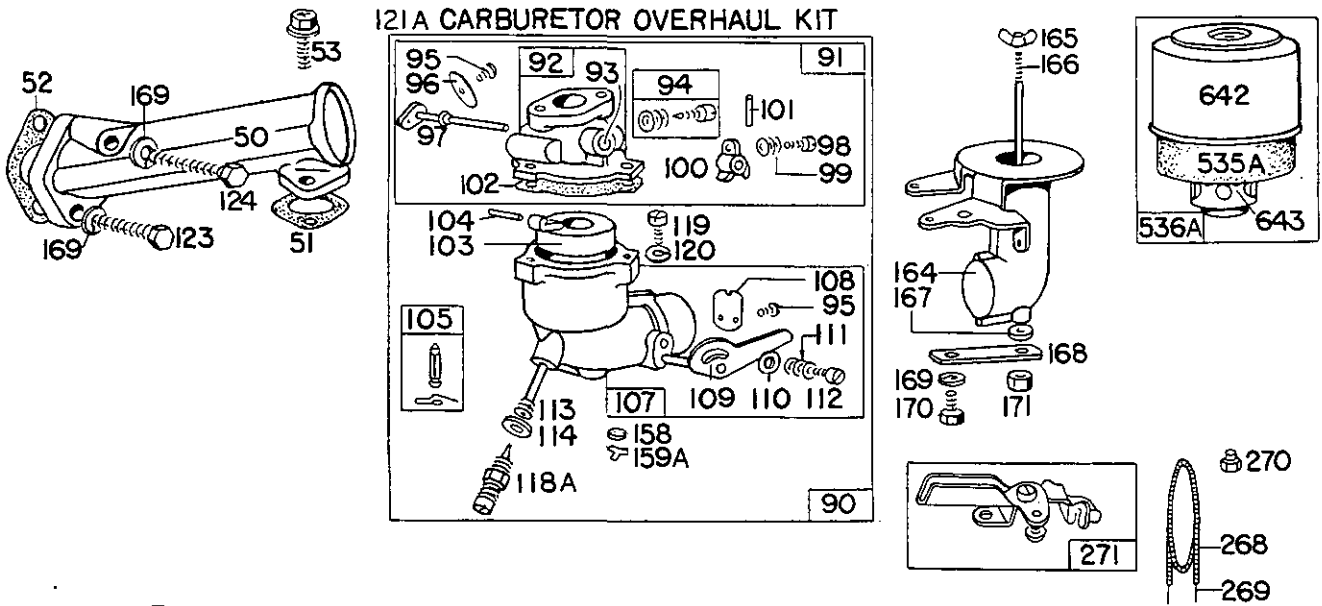


146700 to 146708  
147700 to 147703



Assemblies include all parts shown in frames.

121A CARBURETOR OVERHAUL KIT

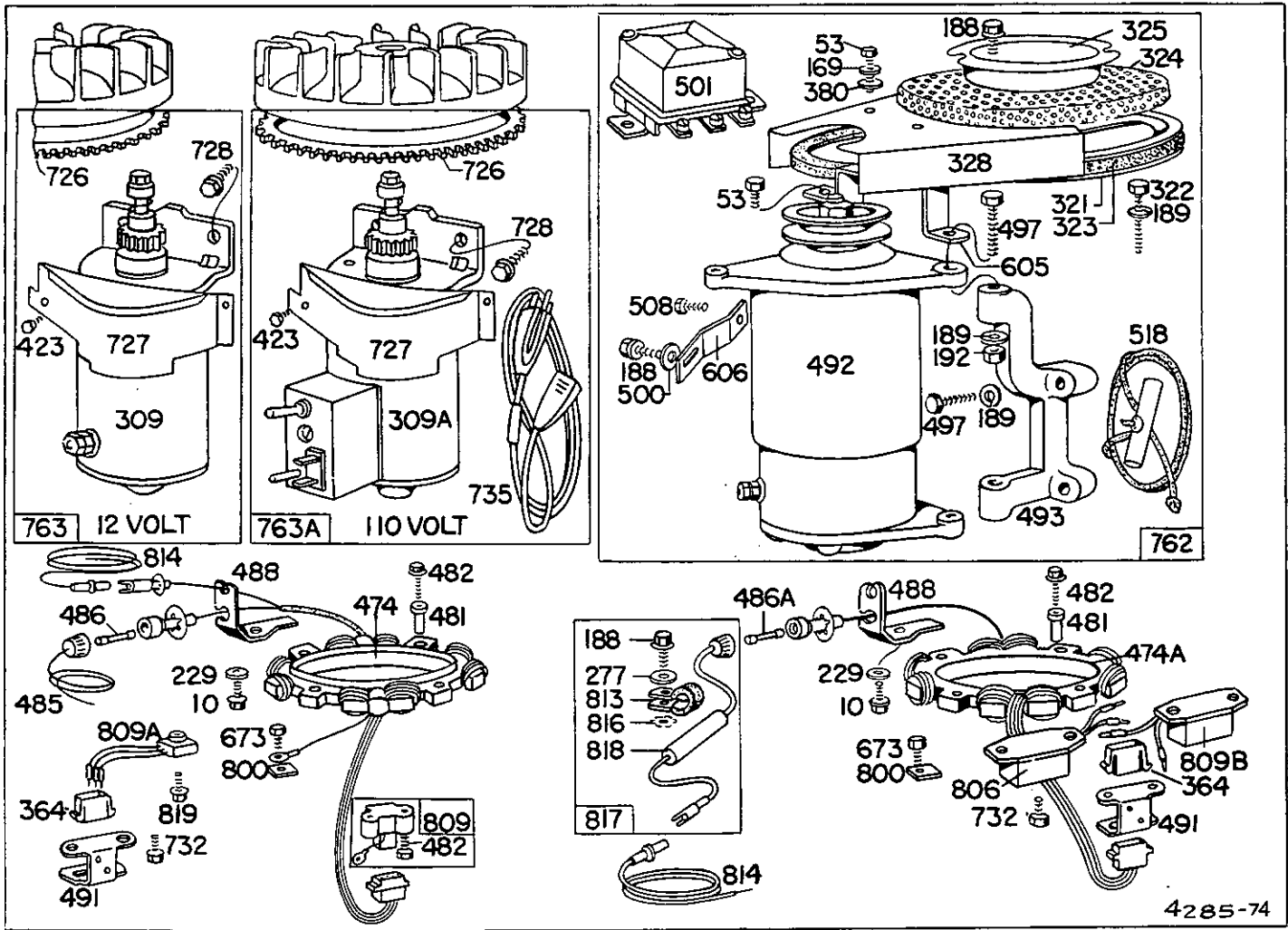


121 CARBURETOR OVERHAUL KIT



4284-74

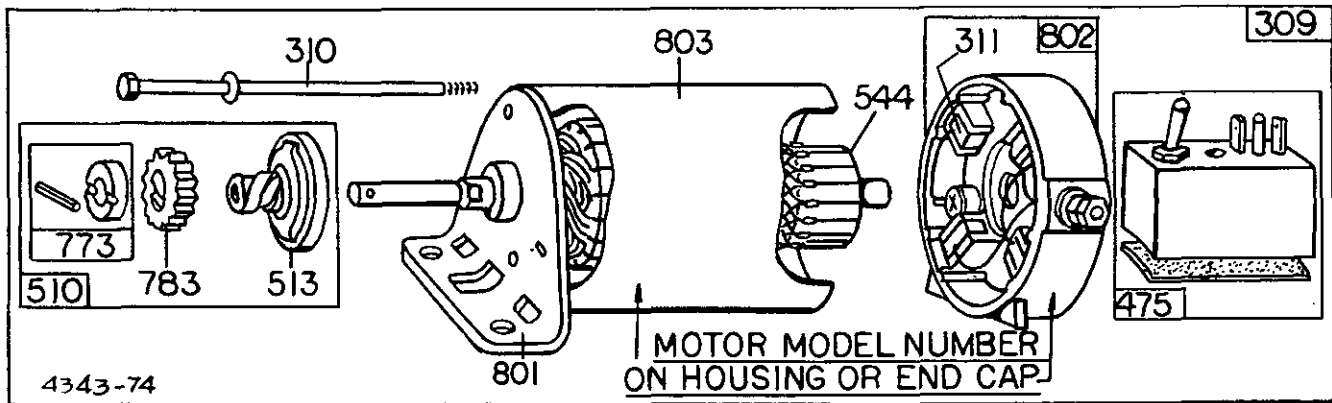
Assemblies include all parts shown in frames.



Assemblies include all parts shown in frames.

INSTRUCTIONS

To determine the part number of a starter motor, or starter motor part, first identify the starter motor manufacturer and motor model number. See illustration for location. Next, use chart to select part number.



Subject	Ref. No. 309	Ref. No. 510	Ref. No. 801	Ref. No. 544	Ref. No. 803	Ref. No. 802	Ref. No. 311	Ref. No. 310	Ref. No. 475
Starter Motor Mfr. and Motor Model Number	Motor and Drive Assy.	Drive Assembly	End Cap Assy. Drive	Armature Assy.	Housing Assy.	End Cap Assy. Commutator*	Brush Assy.	Thru Bolt Assy.	Rectifier Assy.
American Bosch									
12 V. SMH 12-A11	390307	390443	390444	390446	390447	390448	390449	390450	
12 V. SME 12-A8	299330	390094	390092	390086	390097	390089		390080	
12 V. 01965-23-MO-30-SM	390838	391461**	390444	391607	390447	390448	390449	390450	
110 V. SME 110-C3	299329	390094	390091	390088	390096	390098	390081	390080	390099
110 V. SME 110-C6	299556	390094	390092	390088	390095	390098	390081	390080	390084
110 V. SME 110-C8	299764	390094	390093	390088	390096	390098	390081	390080	390099
Mitsubishi									
12 V. MMO-5ML	390307	299963	390454	390456	390452	390455	390990	299962	
12 V. MMO-4FL	299330	299963	390454	390457	390453	390455	390990	299962	
12 V. MOOIT02271	390838	391461**	391585	391584	390452	390455	390990	93771	
110 V. J282188	299329	299963	299964	299968	299967	299965		299962	299966
Briggs & Stratton									
12 V.	390838	391461**	390825	390837	390849	390846	391705	391706	

\* Includes Brush Set  
 \*\* Includes # 391135 Clutch Assembly (Ref. No. 513)  
 # 280104 Gear (Ref. No. 783)  
 # 391462 Retainer and Pin (Ref. No. 773)

**146700 to 146708**  
**147700 to 147703**

REF. NO. I - 24

REF. NO.	PART NO.	DESCRIPTION	REF. NO.	PART NO.	DESCRIPTION	REF. NO.	PART NO.	DESCRIPTION
1	390381	Cylinder Assembly "Kool-Bore ★" This group of Cylinders, used on <i>Model 146700</i> Series type Nos. 0500 and up.			<b>Note:</b> <b>298747</b> Tube-Breather Used on <i>Model 146700</i> Series type Nos. 0127, 0135, 0143, 0144, 0151, 0152, 0153, 0632, 0649, 0651, 0663.			0161, 0652, 0654, 0658, 1121, 1128, 1147, 1639.
	<b>Note:</b>	<b>299218</b> Cylinder Assembly. Used on <i>Model 146700</i> Series type Nos. 0010 to 0500.	12	♦27750	Gasket-Crankcase Cover-1/64" thick			<b>260536</b> Crankshaft Used on <i>Model 146700</i> Series type Nos. 0160, 0660, 0664, 1134, 1145, 1630; also used on <i>Model</i> <i>147700</i> Series type No. 0132.
	<b>299281</b>	Cylinder Assembly (Sleeve Bore) This group of Cylinders, used on <i>Model 147700</i> Series type Nos. 0110 to 0135.	13	93210	Gasket-Crankcase Cover-.005" thick			<b>260818</b> Crankshaft Used on <i>Model 146700</i> Series type Nos. 0124, 1130.
2	295962	Bushing-Cylinder <b>Note:</b> Requires special tools for installation.	14	93211	Screw-Cylinder Head (2-9/32" long)	18	298616	Sump-Oil <b>Note:</b> <b>296594</b> Sump-Oil Used on <i>Model 146700</i> Series type Nos. 0148, 0633, 0660, 0664, 1134, 1139, 1145, 1630.
3	294606	Seal-Oil			<b>Note:</b> <b>93583</b> Stud-Cylinder Head (1)			<b>390479</b> Sump-Oil Used on type Nos. 1152, 1625.
4	221001	Plate-Cylinder Baffle <b>Note:</b> Used only on type type Nos. 0110 through 0133.			<b>22963</b> Washer (1) Used on <i>Model 146700</i> Series type Nos. 1150, 1151, 1632, 1633.			
5	210578	Head-Cylinder	15	91084	Plug-Oil Drain <b>Note:</b> <b>92738</b> Plug-Oil Drain (Magnetic) Used on <i>Model 146700</i> Series type No. 0155; also used on <i>Model</i> <i>147700</i> Series type No. 0127.	19	295963	Bushing-Oil Sump <b>Note:</b> Requires special tools for installation.
6	22963	Washer-Plain			<b>93418</b> Plug-Oil Drain (Hex. Socket) Used on <i>Model 146700</i> Series type No. 1137.	20	298423	Seal-Oil
7	♦270340	Gasket-Cylinder Head			<b>93448</b> Plug-Oil Drain (Hex. Socket) Used on <i>Model 146700</i> Series type Nos. 1152, 1625.	21	66768	Plug-Oil Filler
8	299848	Breather Assembly Used on <i>Model 146700</i> Series type Nos. 1010 and up.				22	93585	Screw-Sump Mtg. Sem
8A	294988	Breather Assembly Used on <i>Model 146700</i> and <i>147700</i> Series type Nos. 0010 to 0665.				23	298260	Flywheel-Magneto <b>Note:</b> <b>299375</b> Flywheel- Magneto Used on <i>Model 146700</i> Series type Nos. 0614, 1112, 1120, 1149, 1612, 1614, 1627, 1635.
9	♦27803	Gasket-Valve Cover						<b>390180</b> Flywheel- Magneto Used on <i>Model 146700</i> Series type Nos. 1114, 1115, 1151, 1154, 1615, 1629, 1633.
10	93536	Screw-Sem	16	260356	Crankshaft <b>Note:</b> <b>260498</b> Crankshaft Used on <i>Model 146700</i> Series type Nos. 0633, 0644, 1139.			
11	280005	Tube-Breather Used on <i>Model 146700</i> Series type Nos. 1010 and up.			<b>260506</b> Crankshaft Used on <i>Model 146700</i> Series type Nos. 0126, 0132, 0139, 0150, 0152, 0153,	24	61760	Key-Flywheel
11A	67068	Tube-Breather Used on <i>Model 146700</i> and <i>147700</i> Series type Nos. 0010 to 0665.						

★ Trademark of Briggs &amp; Stratton Corp.

♦ Included in Gasket Set-  
Part No. 295970

REF. NO. 25 - 28

REF. NO.	PART NO.	DESCRIPTION	REF. NO.	PART NO.	DESCRIPTION	REF. NO.	PART NO.	DESCRIPTION
<b>MODEL 146700 SERIES</b>			<b>297706</b> Ring Set—Piston— .020" O.S. Consists of: <b>211242</b> Ring, Piston, Comp., Top, .020" O.S. <b>211245</b> Ring, Piston, Comp., Center, .020" O.S. <b>211248</b> Ring, Piston, Oil, .020" O.S.			Includes: <b>210889</b> Ring— Piston, Comp., Top and Center, .010 O.S. <b>295847</b> Ring— Piston, Oil, .010" O.S. (with/ expander)		
<b>PISTON ASSEMBLIES</b> "Kool-Bore ★"			<b>297707</b> Ring Set—Piston— .030" O.S. Consists of: <b>211243</b> Ring, Piston, Comp., Top, .030" O.S. <b>211246</b> Ring, Piston, Comp., Center, .030" O.S. <b>211249</b> Ring, Piston, Oil, .030" O.S.			<b>295854</b> Ring Set—Piston— .020" O.S. Includes: <b>210893</b> Ring— Piston, Comp., Top and Center, .020" O.S. <b>295849</b> Ring— Piston, Oil, .020" O.S. (with/ expander)		
<b>25</b>	<b>297692</b>	Piston Assembly— Standard						
	<b>297693</b>	Piston Assembly— .010" O.S.						
	<b>297694</b>	Piston Assembly— .020" O.S.						
	<b>297695</b>	Piston Assembly— .030" O.S.						
<b>MODEL 147700 SERIES</b>			<b>MODEL 147700 SERIES</b>					
<b>PISTON ASSEMBLIES</b> (SLEEVE BORE)			<b>PISTON RING SETS</b> (SLEEVE BORE)					
	<b>295842</b>	Piston Assembly— Standard	<b>Note:</b> For Chrome Piston Ring Set—standard size—order Part No. 298745.					
	<b>295846</b>	Piston Assembly— .010" O.S.	<b>295852</b> Ring Set—Piston—Std.			<b>295855</b> Ring Set—Piston— .030" O.S. Includes: <b>210897</b> Ring— Piston, Comp., Top and Center, .030" O.S. <b>295851</b> Ring— Piston, Oil, .030" O.S. (with/ expander)		
	<b>295848</b>	Piston Assembly— .020" O.S.	Includes: <b>210703</b> Ring— Piston, Comp., Top and Center, Standard <b>295843</b> Ring— Piston, Oil, Standard (with/ expander)					
	<b>295850</b>	Piston Assembly— .030" O.S.	<b>295853</b> Ring Set—Piston— .010" O.S.			<b>27 68546</b> Lock—Piston Pin <b>28 295840</b> Pin Assembly— Standard <b>295841</b> Pin Assembly— .005" O.S.		
<b>MODEL 146700 SERIES</b>			<b>MODEL 146700 SERIES</b>					
<b>PISTON RING SETS</b> "Kool-Bore ★"								
	<b>Note:</b> For Chrome Piston Ring Set—standard size—order Part No. 298745.							
<b>26</b>	<b>297815</b>	Ring Set—Piston—Std. Consists of: <b>210600</b> Ring, Piston, Comp., Top, Std. <b>211037</b> Ring, Piston, Comp., Center, Std. <b>210602</b> Ring, Piston, Oil, Standard						
	<b>297705</b>	Ring Set—Piston— .010" O.S. Consists of: <b>211241</b> Ring, Piston, Comp., Top, .010" O.S. <b>211244</b> Ring, Piston, Center, .010" O.S. <b>211247</b> Ring, Piston, Piston, Oil, .010" O.S.						

\* Trademark of Briggs & Stratton Corp.

REF. NO.	PART NO.	DESCRIPTION	REF. NO.	PART NO.	DESCRIPTION	REF. NO.	PART NO.	DESCRIPTION
29	295839	Rod Assembly—Connecting <b>Note:</b> For Connecting Rod with .020" undersize Crankpin Bore—order No. 298788.	36	65906	Spring—Exhaust Valve <b>Note:</b> 26828 Spring—Exhaust Valve Used on <i>Model 146700</i> Series type No. 0155; also used on <i>Model 147700</i>	55	295272	Housing—Rewind Starter <b>Note:</b> 298402 Housing—Rewind Starter Used on <i>Model 146700</i> Series type Nos. 0122, 0131, 0629, 1120.
30	221725	Dipper—Connecting Rod	40	221596	Retainer—Valve Spring (Used with Valves with groove in stem) Used after Code No. 6711030.	56	295871	Pulley—Rewind Starter
31	220811	Lock—Connecting Rod Screw				57	294303	Spring—Rewind Starter
32	92659	Screw—Connecting Rod and Bracket Mtg.				58	66564	Rope—Rewind Starter (63" long) <b>Note:</b> If longer rope is needed order No. 66574 and cut to required length.
33	299885	Valve—Exhaust (Grooved Stem—includes Retainer No. 221596) Used after Code No. 6711030. <b>Note:</b> 260444 Valve—Exhaust (with hole in stem) For Pins and Retainers for this Valve see Note under Ref. No. 40. Used on <i>Model 146700</i> Series type No. 0155; also used on <i>Model 147700</i> Series type No. 0127.				59	230228	Pin—Starter Grip
34	261055	Valve—Intake Used after Code No. 6909251. <b>Note:</b> 299884 Valve—Intake (Grooved Stem—includes Retainer No. 221596) Used before Code No. 6909261. 299885 Valve—Intake (with hole in stem) Used on <i>Model 146700</i> Series type No. 0155; also used on <i>Model 147700</i> Series type No. 0127. For Pins and Retainers for Valves with hole in stem see Note under Ref. No. 40.	45	260933	Tappet—Valve	60	66728	Grip—Starter Rope
			46	210728	Gear—Cam	61	68848	Bumper—Starter Pulley
			50	295759	Elbow—Intake <b>Note:</b> 211459 Elbow—Intake Used on <i>Model 146700</i> Series type Nos. 0127, 0135, 0143, 0144, 0151, 0152, 0153, 0632, 0649, 0651, 0663.	62	93254	Screw—Pulley Bumper Mounting Sem
			51	† 65647	Gasket—Intake Elbow	63	260414	Spring—Ratchet
			52	♦27828	Gasket—Intake Elbow Mounting	64	230543	Adapter—Ratchet Spring
			52A	♦270538	Gasket—Carburetor Mounting	65	93572	Screw—Rewind Starter Housing Mtg. Sem (Used after Code No. 6904301) <b>Note:</b> 93163 Screw—Rewind Starter Housing Mtg. Sem Used before Code No. 6905011. 230796 Nut—Starter Mounting
			53	93128	Screw—Sem			93420 Screw—Sem (on Blower Housing)
35	65906	Spring—Intake Valve						92290 Washer—Lock
								90289 Washer—Lock (on Blower Housing) Used on <i>Model 146700</i> Series type Nos. 0122, 0131, 0629, 1120.
						66	298798	Clutch Assembly—Rewind Starter Used after Code No. 6601171.

† Included in Carburetor Overhaul Kit—Part No. 295938

♦ Included in Gasket Set—Part No. 295970



REF. NO.	PART NO.	DESCRIPTION	REF. NO.	PART NO.	DESCRIPTION	REF. NO.	PART NO.	DESCRIPTION
	<b>Note:</b>	<b>295684</b> Clutch Assembly—Rewind Starter Used before Code No. 6601181.	<b>74</b>	<b>93042</b>	Screw—Sem			<b>299162</b> Carburetor Assembly Used on <i>Model</i> 146700 Series type Nos. 0135, 0144, 0151, 0152, 0153, 0632, 0649, 0651, 0663.
<b>67</b>	<b>211383</b>	Housing—Rewind Starter Clutch Used after Code No. 6601171.		<b>Note:</b>	<b>93014</b> Screw—Rotating Screen Mounting (To Fan Blades)			
	<b>Note:</b>	<b>210400</b> Housing—Rewind Starter Clutch Used before Code No. 6601181.	<b>75</b>	<b>220865</b>	Washer—Spring	<b>91</b>	<b>298473</b>	Body Assembly—Upper Carburetor <b>Note:</b> <b>298774</b> Body Assy.—Upper Carburetor Used on <i>Model</i> 146700 Series type Nos. 0127, 0128, 0131, 0135, 0138, 0143, 0144, 0151, 0152, 0153, 0632, 0649, 0651, 0663.
<b>68</b>	<b>63770</b>	Ball—Clutch	<b>76</b>	<b>68238</b>	Washer—Ratchet Sealing	<b>92</b>	<b>299158</b>	Body—Upper Carb.
<b>69</b>	<b>66718</b>	Washer—Starter Clutch, Thrust	<b>81</b>	<b>222265</b>	Lock—Screw	<b>93</b>	<b>23108</b>	Bushing—Throttle Shaft
<b>70</b>	<b>298799</b>	Ratchet—Rewind Starter Clutch Used after Code No. 6601171.	<b>90</b>	<b>298472</b>	Carburetor Assembly (Manual Choke) <b>Note:</b> <b>298773</b> Carburetor Assembly Uses: <b>221787</b> Strap—Remote Choke <b>91359</b> Screw—Strap Mtg. Used on <i>Model</i> 146700 Series type Nos. 0127, 0128, 0131, 0143.	<b>94 † ‡</b>	<b>292681</b>	Valve Assembly—Carburetor Idle
	<b>Note:</b>	<b>296916</b> Ratchet—Rewind Starter Clutch Used before Code No. 6601181.			<b>299159</b> Carburetor Assembly. (Choke-A-Matic) Used on <i>Model</i> 146700 Series type Nos. 0015, 0017, 0019, 0120, 0124, 0126, 0132, 0136, 0138, 0147, 0154, 0155, 0156, 0158, 0161, 0162, 0515, 0517, 0625, 0626, 0634, 0635, 0636, 0643, 0645, 0646, 0647, 0648, 0651, 0652, 0656, 0657, 0658, 0659; also used on <i>Model</i> 147700 Series type Nos. 0126, 0127, 0128, 0129, 0130, 0626.	<b>95</b>	<b>93038</b>	Screw—Throttle and Choke Valve Mounting Sem
<b>71</b>	<b>221653</b>	Washer—Retainer Used after Code No. 6601171.				<b>96</b>	<b>221600</b>	Valve—Throttle
	<b>Note:</b>	<b>221301</b> Washer—Retainer Used before Code No. 6601181. Uses: <b>26032</b> Ring				<b>97</b>	<b>297845</b>	Shaft and Lever—Throttle <b>Note:</b> <b>298772</b> Shaft and Lever—Throttle Used on <i>Model</i> 146700 Series type Nos. 0127, 0128, 0131, 0135, 0143, 0144, 0151, 0152, 0153, 0632, 0649, 0651, 0663.
<b>73</b>	<b>221796</b>	Screen—Rewind Starter Used after Code No. 6601171.				<b>98</b>	<b>91920</b>	Screw—Machine, Fill. Hd. 8-32 x 5/8" <b>Note:</b> <b>93067</b> Screw—Sem Used to mount Ground Terminal Insulator on <i>Model</i> 146700 Series type No. 0160; also used on <i>Model</i> 147700 Series type No. 0132.
	<b>Note:</b>	<b>220823</b> Screen—Rewind Starter Used before Code No. 6601181. <b>221668</b> Screen—Rewind Starter Used on <i>Model</i> 146700 Series type Nos. 0122, 0131, 0629, 1120.						

† Included in Carburetor Overhaul Kit—Part No. 295938

‡ Included in Carburetor Overhaul Kit—Part No. 299852

REF. NO.	PART NO.	DESCRIPTION	REF. NO.	PART NO.	DESCRIPTION	REF. NO.	PART NO.	DESCRIPTION		
99	26157	Spring—Throttle Adjustment	109	298875	Shaft and Lever — Choke (Manual)	119	90746	Screw—Machine, Fill. Hd. — 10-32 x 5/8"		
100	61967	Stop—Throttle		<b>Note:</b> 298944	Shaft Assy. — Choke		<b>Note:</b> 91359	Screw—Machine, Fill. Hd. 10-32 x 3/4"		
101	93043	Pin—Throttle Stop			(Choke-A-Matic)			Used to mount Strap to Carburetor on Model 146700 Series type Nos. 0127, 0128, 0131, 0143.		
102	† 27918	Gasket—Carb. Body			Used on Model 146700 Series type Nos. 0015, 0017, 0019, 0120, 0124, 0126, 0132, 0136, 0138, 0147, 0154, 0155, 0156, 0158, 0161, 0162, 0515, 0517, 0625, 0626, 0634, 0635, 0636, 0645, 0646, 0647, 0648, 0652, 0656, 0657, 0658, 0659; also used on Model 147700 Series type Nos. 0126, 0127, 0128, 0129, 0130, 0626.	120	92290	Washer—Lock—No. 10 x 1/16" x 3/64"		
103	99333	Float—Carburetor			298757 Shaft and Lever—Choke (Manual)	121	299852	Carburetor Overhaul Kit (Used only for Ref. No. 125 Carburetors)		
104	† ‡ 230896	Pin—Float Hinge			Used on Model 146700 Series type Nos. 0127, 0128, 0131, 0143.	121A	295938	Carburetor Overhaul Kit		
105	299096	Valve—Fuel Inlet			299054 Shaft and Lever—Choke			Used only for Ref. No. 90 Carburetors.		
107	295860	Body Assembly—Lower Carburetor (Manual Choke)			Used on Model 146700 Series type Nos. 0135, 0144, 0151, 0152, 0153, 0632, 0649, 0651, 0663.	123	91456	Screw—Cap, Hex. Hd. —1/4-20 x 1"		
	<b>Note:</b> 299160	Body Assembly—Lower Carburetor (Choke-A-Matic)			Used on Model 146700 Series type Nos. 0127, 0128, 0131, 0143.		<b>Note:</b> 93483	Screw—Sem (2) Used on Model 146700 Series type Nos. 0127, 0128, 0131, 0135, 0143, 0151, 0152, 0153, 0632, 0649, 0651, 0663.		
		Used on Model 146700 Series type Nos. 0015, 0017, 0019, 0120, 0124, 0126, 0132, 0136, 0138, 0147, 0154, 0155, 0156, 0158, 0161, 0162, 0515, 0517, 0625, 0626, 0634, 0635, 0636, 0643, 0645, 0646, 0647, 0648, 0652, 0656, 0657, 0658, 0659; also used on Model 147700 Series type Nos. 0126, 0127, 0128, 0129, 0130, 0626.			110	62899	Washer—Choke Lever	123A	93357	Screw—Carburetor Mounting
		299161 Body Assy. — Lower Carburetor			110A	220899	Washer—Choke Lever	124	92636	Screw—Cap, Hex. Hd. —1/4-20 x 2"
		Used on Model 146700 Series type Nos. 0127, 0128, 0131, 0143.			111	26155	Spring—Choke Lever	125	390411	Carburetor Assembly (Manual Choke)
		299163 Body Assy. — Lower Carburetor.			111A	26229	Spring—Choke Lever		<b>Note:</b> 390417	Carburetor Assembly
		Used on Model 146700 Series type Nos. 0135, 0144, 0151, 0152, 0153, 0632, 0649, 0651, 0663.			112	23123	Screw—Choke Lever			(Choke-A-Matic) Used on Model 146700 Series type Nos. 1015, 1017, 1120, 1121, 1122, 1123, 1125, 1126, 1128, 1130, 1131, 1137, 1138, 1142, 1143, 1144, 1146, 1149, 1150, 1151, 1152, 1153, 1154.
108	62872	Valve Choke			112A	23270	Screw—Choke Lever			
108A	222010	Valve Choke			113	390395	Nozzle—Carburetor			
					114	† 68667	Gasket—Nozzle			
					118	‡ 391233	Valve Assy.—Needle			
					118A	† 99525	Valve Assy.—Needle			

† Included in Carburetor Overhaul Kit—Part No. 295938

‡ Included in Carburetor Overhaul Kit—Part No. 299852

REF. NO.	PART NO.	DESCRIPTION	REF. NO.	PART NO.	DESCRIPTION	REF. NO.	PART NO.	DESCRIPTION
		<b>390811</b> Carburetor Assembly (Choke-A-Matic) Used on type Nos. 1625, 1627, 1628, 1629, 1631, 1632, 1633, 1634.	<b>147</b>	<b>‡230932</b>	Screw—Nozzle	<b>182</b>	<b>221088</b>	Bracket—Fuel Tank L. H.
			<b>158</b>	<b>27590</b>	Filter—Carburetor Drain		<b>221087</b>	Bracket—Fuel Tank, R. H.
			<b>159</b>	<b>211954</b>	Retainer—Carburetor Drain Filter		<b>Note:</b>	<b>221906</b> Bracket—Fuel Tank
			<b>159A</b>	<b>220521</b>	Retainer—Carburetor Drain Filter			Used on <i>Model</i> 146700 Series type
<b>126</b>	<b>299851</b>	Body Assembly—Carburetor	<b>164</b>	<b>298410</b>	Pipe Assembly—Air Cleaner			Nos. 0634, 0653, 0654, 0659, 0662, 1127, 1135, 1138, 1140, 1148, 1626, 1634.
<b>127</b>	<b>‡221997</b>	Plug—Welch		<b>Note:</b>	<b>295593</b> Pipe	<b>183</b>	<b>291367</b>	Strap Assy. — Fuel Tank
<b>128</b>	<b>211682</b>	Venturi—Carburetor			Assy.—Air Cleaner	<b>184</b>	<b>91257</b>	Screw—Machine, Fill. Hd. — 1/4-20 x 1-1/2"
<b>130</b>	<b>221986</b>	Valve—Throttle			Used on <i>Model</i>	<b>185</b>	<b>90970</b>	Nut—Square, 1/4-20
<b>131</b>	<b>299650</b>	Shaft and Lever—Throttle			Used on <i>Model</i> 146700 Series type	<b>186</b>	<b>67218</b>	Connector—Fuel Pipe
<b>132</b>	<b>211712</b>	Stop—Throttle			Nos. 0165, 0650.		<b>Note:</b>	<b>390303</b> Connector and Shut-Off Valve
<b>133</b>	<b>299707</b>	Float—Carburetor			<b>298756</b> Pipe Assy.—Air Cleaner			Used on <i>Model</i> 146700 Series type
<b>134</b>	<b>‡299096</b>	Valve—Fuel Inlet			Used on <i>Model</i> 146700 Series type			Nos. 1150, 1151, 1632, 1633.
<b>136</b>	<b>221995</b>	Bowl—Float			0127, 0128, 0131, 0135, 0143, 0144, 0151, 0152, 0153, 0632, 0649, 0651, 0663.	<b>187</b>	<b>296004</b>	Pipe—Fuel
<b>137</b>	<b>‡270511</b>	Gasket—Float Bowl	<b>165</b>	<b>93456</b>	Nut—Wing		<b>Note:</b>	<b>299146</b> Pipe—Fuel
<b>138</b>	<b>‡222014</b>	Washer—Float Bowl	<b>166</b>	<b>230633</b>	Stud—Air Cleaner			Used on <i>Model</i> 146700 Series type
<b>141</b>	<b>299647</b>	Shaft and Lever—Manual Choke	<b>167</b>	<b>65978</b>	Seal—"O" Ring			Nos. 0653, 0659, 0662, 1135.
	<b>Note:</b>	<b>299746</b> Shaft and Lever—Choke-A-Matic	<b>168</b>	<b>22832</b>	Strap—Air Cleaner Pipe			<b>299942</b> Pipe—Fuel
		Uses: <b>270382</b> Washer—Felt	<b>169</b>	<b>90832</b>	Washer—Lock—1/4" x 3/32" x 5/64"			Used on <i>Model</i> 146700 Series type
		Used on <i>Model</i> 146700 Series type	<b>170</b>	<b>91468</b>	Screw—Cap, Hex. Hd.—1/4-20 x 3/8"			Nos. 1153, 1154, 1628, 1629, 1635.
		Nos. 1015, 1017, 1120, 1121, 1122, 1123, 1125, 1126, 1128, 1130, 1131, 1137, 1138, 1142, 1143, 1144, 1146, 1149, 1150, 1151, 1152, 1153, 1154.	<b>171</b>	<b>92129</b>	Nut—Hex.—1/4-28			Used on <i>Model</i> 146700 Series type
		<b>390684</b> Shaft and Lever—Choke-A-Matic	<b>180</b>	<b>290816</b>	Tank Assy.—Fuel (4 quart)			Nos. 1153, 1154, 1628, 1629, 1635.
		Uses: <b>261116</b> Choke Return Spring		<b>Note:</b>	<b>292944</b> Tank Assembly—Fuel (2 quart)	<b>188</b>	<b>93535</b>	Screw—Sem
		<b>270382</b> Washer—Felt			Used on <i>Model</i> 146700 Series type	<b>189</b>	<b>90366</b>	Washer—Lock—5/16 x 1/8 x 1/16"
		Used on type Nos. 1625, 1627, 1628, 1629, 1631, 1632, 1633, 1634.			Nos. 0152, 0153.	<b>192</b>	<b>91397</b>	Nut—Hex. 5/16-18
		<b>142</b>	<b>‡299740</b>	Nozzle—Carburetor	<b>292945</b> Tank Assy.—Fuel (3 Quart)	<b>193</b>	<b>90681</b>	Screw—Cap, Hex. Hd.—5/16-18 x 5/8"
					Used on <i>Model</i> 146700 Series type	<b>194</b>	<b>90366</b>	Washer—Lock—5/16 x 1/8 x 1/16"
					Nos. 0144, 0651, 0663.	<b>198</b>	<b>293934</b>	Valve—Fuel Shut-Off
			<b>181</b>	<b>293270</b>	Cap—Fuel Tank	<b>199</b>	<b>295896</b>	Outlet—Fuel Tank (Includes Strainer)
			<b>181A</b>	<b>69221</b>	Cap—Fuel Tank		<b>Note:</b>	<b>292797</b> Outlet—Tank (Includes Strainer)

‡ Included in Carburetor Overhaul Kit—Part No. 299852

**146700 to 146708  
147700 to 147703**

**REF. NO. 199 - 240**

REF. NO.	PART NO.	DESCRIPTION	REF. NO.	PART NO.	DESCRIPTION	REF. NO.	PART NO.	DESCRIPTION
		Used on <i>Model</i> 146700 Series type Nos. 0144, 0152, 0153, 0663.			<b>260931</b> Spring-Gov. (For 3000 to 4000 R. P. M.)			Nos. 0016, 0017, 0120, 0124, 0126, 0132, 0135, 0136, 0138, 0144, 0147, 0151, 0152, 0153, 0154, 0155, 0156, 0158, 0161, 0162, 0515, 0517, 0625, 0626, 0632, 0634, 0635, 0636, 0643, 0645, 0646, 0647, 0648, 0649, 0651, 0652, 0656, 0657, 0658, 0659, 0663, 1015, 1017, 1120, 1121, 1122, 1123, 1125, 1126, 1128, 1130, 1131, 1137, 1138, 1142, 1143, 1144, 1146, 1149, 1150, 1151, 1152, 1153, 1154; also used on <i>Model</i> 147700 Series type Nos. 0126, 0127, 0128, 0129, 0130, 0626.
		<b>297563</b> Outlet-Tank (Less Strainer) Used on <i>Model</i> 146700 Series type No. 0136.			Used on <i>Model</i> 146700 Series type Nos. 0124, 0635, 1130.			
<b>200</b>	<b>221760</b>	Guide-Air	<b>216</b>	<b>260892</b>	Link-Choke			
<b>201</b>	<b>260971</b>	Link-Governor Used on <i>Model</i> 146700 Series type Nos. 1010 and up.			<b>Note:</b> <b>260896</b> Link-Choke Used on <i>Model</i> 146700 Series type 0135, 0144, 0151, 0152, 0153, 0632, 0649, 0651, 0663.			
		<b>Note:</b> <b>260710</b> Link-Governor Used on <i>Model</i> 146700 and 147700 Series type Nos. 0010 to 0665 except as listed below.			<b>260979</b> Link-Choke Used on <i>Model</i> 146700 Series type Nos. 1015, 1017, 1120, 1121, 1122, 1123, 1125, 1126, 1128, 1130, 1131, 1137, 1138, 1142, 1143, 1144, 1146, 1149, 1150, 1151, 1152.			
		<b>260862</b> Link-Governor Used on <i>Model</i> 146700 Series type Nos. 0127, 0128, 0131, 0135, 0143, 0144, 0151, 0152, 0153, 0632, 0649, 0651, 0663.			<b>261117</b> Link-Choke Used on type Nos. 1625, 1627, 1628, 1629, 1631, 1632, 1633, 1634.			
<b>206</b>	<b>230149</b>	Nut-Governor Control Rod	<b>219</b>	<b>298614</b>	Oil Slinger, Gov. Gear and Bracket Assembly	<b>225</b>	<b>230759</b>	Shaft-Gov. Lever
<b>207</b>	<b>26855</b>	Spring-Control Rod				<b>227</b>	<b>298303</b>	Lever Assembly-Governor
<b>208</b>	<b>230853</b>	Rod-Governor Control				<b>229</b>	<b>220680</b>	Washer-Gov. Lever
<b>209</b>	<b>261129</b>	Spring-Governor (For 3400 to 4000 R. P. M.)	<b>222</b>	<b>390661</b>	Plate-Gov. Control	<b>230</b>	<b>221559</b>	Washer-Gov. Lever
		<b>Note:</b> <b>260723</b> Spring-Gov. (For 3000 to 4000 R. P. M.) Used on type Nos. 0010 thru 1155 except as listed under note.			<b>Note:</b> <b>390662</b> Plate-Governor Control Used on type No. 1625, 1627, 1628, 1629, 1631, 1632, 1633, 1634, 1635, 1636.	<b>231</b>	<b>93064</b>	Screw-Sem
		<b>260871</b> Spring-Gov. (For 2700 to 3300 R. P. M.) Used on <i>Model</i> 146700 Series type Nos. 0135, 0151, 0625, 0632, 0646, 0647, 0649, 0656, 1631.	<b>222A</b>	<b>298997</b>	Plate-Gov. Control Used on type Nos. 0010 thru 1155 except those listed under part No. 298998.	<b>232</b>	<b>260584</b>	Spring-Governor Link
					<b>Note:</b> <b>298998</b> Plate-Gov. Control Used on <i>Model</i> 146700 Series type	<b>240</b>	<b>295977</b>	Filter Assembly-Fuel
								<b>Note:</b> <b>295984</b> Filter Assy. - Fuel Used on <i>Model</i> 146700 Series type Nos. 0128, 0131, 0164, 0634, 0640, 0646, 0647, 0653, 0654, 0659, 0662, 1127, 1135, 1138, 1140, 1148, 1626, 1634.
								<b>298090</b> Filter-Fuel (In Fuel Pipe) Used on <i>Model</i> 146700 Series type No. 0136.

REF. NO.	PART NO.	DESCRIPTION	REF. NO.	PART NO.	DESCRIPTION	REF. NO.	PART NO.	DESCRIPTION
241	296019	Cover Assembly--Fuel Filter <b>Note:</b> 296005 Cover Assy.--Fuel Filter Used on <i>Model 146700</i> Series type Nos. 0128, 0131, 0164, 0634, 0640, 0646, 0647, 0653, 0654, 0659, 0662, 1127, 1135, 1138, 1140, 1148, 1626, 1634.			65616 and cut to required length.			91464 Elbow--Muffler, 90° Street Used on <i>Model 146700</i> Series type Nos. 0126, 0127, 0128, 0131, 0132, 0135, 0138, 0143, 0144, 0151, 0152, 0153, 0154, 0159, 0632, 0636, 0649, 0656, 0658, 0663, 1123, 1126.
242	295913	Valve--Fuel Shut-off <b>Note:</b> 293934 Valve--Fuel Shut-Off Used on type Nos. 0136, 0144, 0152, 0153, 0663.	269	26633	Wire--Control--78" long <b>Note:</b> If longer wire is required, specify length in inches; if shorter wire is needed, order No. 26633 and cut to required length.	304	299870	Housing--Blower (with Tank) <b>Note:</b> All Blower Housings under "Note" do not include a tank. 299392 Housing--Blower Used on <i>Model 146700</i> Series type Nos. 0612, 0614, 1112, 1114, 1115, 1149, 1151, 1154, 1612, 1614, 1615, 1627, 1629, 1633, 1635. 299853 Housing--Blower Used on <i>Model 146700</i> Series type Nos. 0015, 0018, 0019, 0127, 0128, 0133, 0135, 0137, 0139, 0141, 0143, 0144, 0149, 0150, 0151, 0153, 0155, 0156, 0158, 0160, 0164, 0515, 0625, 0626, 0632, 0634, 0640, 0647, 0649, 0651, 0653, 0654, 0659, 0660, 0663, 1015, 1122, 1127, 1129, 1131, 1138, 1140, 1144, 1147, 1148, 1150, 1153, 1626, 1628, 1631, 1632, 1634, 1636, 1639, also used on <i>Model 147700</i> Series type Nos. 0127, 0128, 0131, 0132.
243	22547	Screen--Fuel Filter	270	63426	Locknut--Control Wire Casing			
244	67218	Connector--Fuel Pipe <b>Note:</b> 230318 Connector--Fuel Pipe Used on type Nos. 0128, 0131, 0164, 0634, 0640, 0646, 0647, 0653, 0654, 0659, 0662, 1127, 1135, 1138, 1140, 1148, 1626, 1634.	271	290568	Lever Assembly--Control			
244A	230318	Connector--Fuel Pipe <b>Note:</b> 230317 Connector -- Fuel Pipe Used on <i>Model 146700</i> Series type Nos. 0152, 0153.	277	22776	Washer--Flat			
245	68477	Gasket--Fuel Filter Bowl	300	294599	Muffler--Exhaust <b>Note:</b> 89953 Muffler--Exhaust Used on <i>Model 146700</i> Series type Nos. 0632, 0637, 0648, 0651, 1122, 1124, 1125, 1142, 1143. 299629 Muffler--Exhaust Used on <i>Model 146700</i> Series type Nos. 0632, 0637, 0648, 0651, 1122, 1124, 1125, 1142, 1143. 390147 Muffler--Exhaust Used on type Nos. 1144, 1153, 1154, 1628, 1629, 1635. 390578 Muffler--Exhaust Used on type No. 1625.			
246	298683	Bowl--Fuel Filter	301	91245	Nipple--Exhaust			
247	99665	Yoke--Fuel Filter	302	91242	Locknut--Muffler and Elbow			
261	93105	Screw--Sem	303	91205	Elbow--Muffler--90° <b>Note:</b> 91219 Elbow--Muffler, 45° Street Used on <i>Model 146700</i> Series type Nos. 0144, 0162, 0657, 0663, 1148, 1626.			
265	221535	Clamp--Casing						
268	65616	Casing--Control Wire--72" long <b>Note:</b> If longer casing is required, specify length in inches; if shorter wire is needed, order No.						

♦ Included in Gasket Set--Part No. 295970

REF. NO.	PART NO.	DESCRIPTION	REF. NO.	PART NO.	DESCRIPTION	REF. NO.	PART NO.	DESCRIPTION		
		299861 Housing--Blower Used on <i>Model</i> 146700 Series type Nos. 0121, 0132, 0136, 0152, 0630, 0646, 0662, 1113, 1135, 1613.	333	298968	Armature Assembly	362	291630	Shield--Spark Plug		
		299862 Housing--Blower Used on <i>Model</i> 146700 Series type Nos. 0122, 0131, 0629.	334	93381	Screw--Armature Mounting Sem			<b>Note:</b> 89742 Shield--Spark Plug Used on <i>Model</i> 146700 Series type No. 0155.		
		299887 Housing--Blower Used on <i>Model</i> 146700 Series type No. 1120.	337	298809	Plug--Spark (1-1/2" high-- 38 M. M.)	363	19165	Puller--Flywheel		
305	93158	Screw--Blower Housing Mtg. Sem			<b>Note:</b> Above Spark Plugs use Ignition Cable Terminal No. 221798.	364	280081	Socket--Regulator and Rectifier Lead Wire		
306	221005	Shield--Cylinder	339	29667	Breaker Assembly-- Ignition	372	220477	Clamp--Condenser		
307	93163	Screw--Cylinder Shield Mounting Sem	340	26018	Spring--Breaker Arm	375	294628	Breaker Points and Condenser Set		
	<b>Note:</b>	221153 Cover-- Cylinder Head Used on <i>Model</i> 146700 Series type No. 0155; also used on <i>Model</i> 147700 Series type No. 0127.	341	93381	Screw--Breaker Arm Mounting Sem			<b>Note:</b> 299061 Ignition Kit Includes: 294628 Point Set 65704 Plunger 61760 Key-- Flywheel		
		309	342	65704	Plunger--Breaker Point	380	62199	Washer--Plain		
		Motor--Starting (12 Volt) See Chart on Page 5 for Replacement Parts for Starting Motors	345	222117	Cover--Breaker Point	423	93410	Screw--Sem		
309A		Motor--Starting (110 Volt) See Chart on Page 5 for Replacement Parts for Starting Motors	345A	221046	Cover--Breaker Point	474	391222	Stator and Bracket-- Alternator		
		321	346	93014	Screw--Hex. Head	474A	390185	Stator--Alternator		
		322	347	220884	Switch--Stop (For 1-1/2" High-- 38 M. M. Spark Plugs)			<b>Note:</b> Used on type Nos. 1115, 1151, 1154.		
		323			<b>Note:</b> 221808 Switch--Stop (For 2" High--51 M. M. Spark Plugs)	481	230976	Bushing--Stator		
		324	352	66068	Washer--Insulating	482	93621	Screw--Stator Mtg.		
		325			<b>Note:</b> 66895 Insulator-- Terminal Uses: 90200 Screw-- Terminal 90576 Nut-- Hex. (2) 92791 Washer-- Lock (3) Used on <i>Model</i> 146700 Series type No. 0160; also used <i>Model</i> 147700 Series type No. 0132.	485	390888	Knob Assembly-- Fuse		
		328			353	92791	Washer--Lock-- Shakeproof (3)	486	67125	Fuse--7-1/2 Ampere
		332			354	90576	Nut--Hex. --8-32 (2)	486A	67345	Fuse--15 Ampere
					355	66554	Collar--Insulating			<b>Note:</b> Used on type No. 1115.
					356	299500	Wire--Ground	488	222211	Bracket--Fuse
					358	295970	Gasket Set	491	222115	Bracket--Rectifier Plug
								492	390555	Starter--Generator (12 volt) (Delco-Remy No. 1101695 and Pulley Delco-Remy No. 1949358)
								493	211594	Bracket--Lower Starter
										<b>Note:</b> 211112 Bracket-- Lower Starter Used on <i>Model</i> 146700 Series type Nos. 0132, 0136, 0152.

REF. NO.	PART NO.	DESCRIPTION	REF. NO.	PART NO.	DESCRIPTION	REF. NO.	PART NO.	DESCRIPTION
497	91203	Screw—Cap, Hex. Head— 5/16-18 x 1-3/4"			Uses: 27907 Gasket— Air Cleaner Mounting	658	221576	Strap—Control Plate
500	91325	Washer—Plain			296270 Cover and Filter— Air Cleaner		<b>Note:</b> 221827	Strap—Speed Control
501	295924	Regulator—Voltage (Delco—Remy No. 1118988)			296704 Bowl— Air Cleaner			Used on <i>Model</i> 146700 Series type Nos. 0015, 0016, 0017, 0120, 0124, 0126, 0132, 0135, 0136, 0138, 0142, 0144, 0147, 0150, 0151, 0152, 0153, 0154, 0155, 0156, 0158, 0161, 0162, 0515, 0516, 0517, 0626, 0632, 0634, 0635, 0636, 0639, 0641, 0643, 0645, 0646, 0647, 0648, 0649, 0651, 0652, 0654, 0655, 0656, 0657, 0658, 0659, 0663, 1015, 1017, 1120, 1121, 1122, 1123, 1125, 1126, 1128, 1130, 1131, 1137, 1138, 1140, 1142, 1143, 1144, 1146, 1149, 1150, 1152, 1153, 1154; also used on <i>Model</i> 147700 Series type Nos. 0125, 0126, 0127, 0128, 0129, 0130, 0625, 0626.
508	93294	Screw—Sem (Control Plate Strap and Blower Housing Mounting)			Used on <i>Model</i> 146700 Series type 0165, 0650.			
516	260374	Spring —Connector	537	270539	Gasket—Air Cleaner			
517	295423	Pulley—Rope Starter (with screen)	541	22398	Washer			
	<b>Note:</b>	221400 Pulley—Rope Starter Used on <i>Model</i> 146700 Series type No. 0121.	552	230927	Bushing—Gov. Shaft (no threads)			
518	69932	Rope—Starter	552A	230761	Bushing—Gov. Shaft (with threaded end)			
521	298529	Shielding—Ignition Cable	562	92613	Bolt—Governor Lever			
527	221428	Clamp (At Cylinder Head)	590	93226	Screw—Breaker Mounting Sem			
527A	221834	Clamp (At Intake Elbow)	592	90356	Nut—Hex., 10-24			
534	93622	Screw—Air Cleaner	601	93053	Clamp—Fuel Pipe			
	<b>Note:</b>	93330 Screw—Air Cleaner. Used before Code No. 6909261.	605	298758	Bracket—Guard			
534A	93323	Screw—Air Cleaner Used after Code No. 6909251.	606	221790	Strap—Adjusting			
535	270528	Element—Air Cleaner	608	295001	Starter Assembly— Rewind (with standard length rope)			
535A	270209	Element—Air Cleaner (Round Type)			<b>Note:</b> For Starter Assembly with longer than standard rope order No. 298107. 298340 Starter Assembly—Rewind Used on <i>Model</i> 146700 Series type Nos. 0122, 0131, 0629.			
536	390379	Cleaner Assembly— Air Used after Code No. 6909251.	613	93549	Screw—Muffler Mounting	659	93390	Nut—Governor Shaft Bushing
	<b>Note:</b>	299849 Cleaner Assembly—Air Used before Code No. 6909261.	614	93306	Cotter—Hair Pin	660	221577	Bracket—Control Control Plate
536A	298681	Cleaner Assy.—Air	615	93307	Retainer—E-Ring	662	222027	Bracket—Carburetor
	<b>Note:</b>	296434 Cleaner Assembly—Air	621	297472	Switch—Stop	663	93572	Screw—Bracket Mtg.
			635	66538	Elbow—Spark Plug	665	296768	Oil Minder
			638	26404	Washer	673	93438	Screw—Retainer
			642	221634	Cover—Air Cleaner	682	211516	Shield—Starter Clutch
			643	280002	Cup—Air Cleaner		<b>Note:</b>	211521 Fan—Starter Clutch
			655	221014	Anchor—Spring			Uses: 93335 Screw— Sem To mount Fan to Starter Clutch
			657	93496	Screw—Sem			

REF. NO.	PART NO.	DESCRIPTION	REF. NO.	PART NO.	DESCRIPTION	REF. NO.	PART NO.	DESCRIPTION
		Used on Model 146700 Series type Nos. 0122, 0131, 0629, 1120.			Used on type Nos. 0614, 1120.	781	280068	Cap-Starter Pulley
683	93067	Screw	728	93523	Screw-Sem	800	222212	Retainer
684	221781	Stop-Control Lever	728	93523	Screw-Sem	806	390545	Regulator- Alternator
685	93392	Screw-Machine, Rd. Hd. -5-40 x 1/2"	729	221907	Clip-Wire	809	390892	Rectifier-Alternator
686	91622	Washer-Lock	732	93490	Screw-Sem	809A	390692	Rectifier-Alternator
687	390690	Slide-Friction Control	735	390966	Cord-Starter	809B	390546	Rectifier-Alternator
687A	298957	Slide-Friction Control			<b>Note:</b> 390748 Cord-Starter (For Canadian use only)			<b>Note:</b> 390408 Rectifier- Alternator Uses: 230982 Spacer
688	221766	Cap-Friction Spring	762	296147	Electric Starter- Generator Kit-12 Volt (high position)			Used on type Nos. 1151, 1154.
689	260847	Spring-Friction			<b>Note:</b> Cannot be used on engines with Fuel Tank welded to Blower Housing.	813	390611	Clamp-Diode
690	92484	Screw-Machine, Fil. Hd. -10-32 x 1/2"				814	390867	Wire Assembly- Alternator
725	221885	Shield-Heat	763	390211	Electric Starter Kit- 12 Volt (Gear Drive)	816	93664	Washer-Lock- Shakeproof
726	299543	Gear-Flywheel Ring (includes mtg. parts)			<b>Note:</b> Cannot be used on engines with Fuel Tank welded to Blower Housing.	817	390627	Diode Assembly- Isolation
727	390233	Cover and Shield- Starter						<b>Note:</b> For Isolation Diode Kit for 7 Amp. Alternator - order No. 390607.
	<b>Note:</b>	221940 Guard-Ring Gear	763A	299914	Electric Starter Kit- 110 Volt (Gear Drive)	818	390608	Diode-Isolation
	Uses:	93623 Screw (2) 90366 Washer- Lock (2) To mount Guard			<b>Note:</b> Cannot be used on engines with Alternator or with Fuel Tank welded to Blower Housing.	819	93680	Screw-Sem