

137200 to 137299

Illustrated Parts List Model Series 137200 to 137299

TYPE NUMBERS

0116, 0117, 0122,
0123, 0128, 0134,
0714, 0717, 0718,
1114, 1116, 1117,
1122, 1123, 1124,
1125, 1126, 1127,
1128, 1134, 1231,
1313.

TO FIND

THE CORRECT NUMBER OF THE PART YOU NEED: FOLLOW THE INSTRUCTIONS BELOW

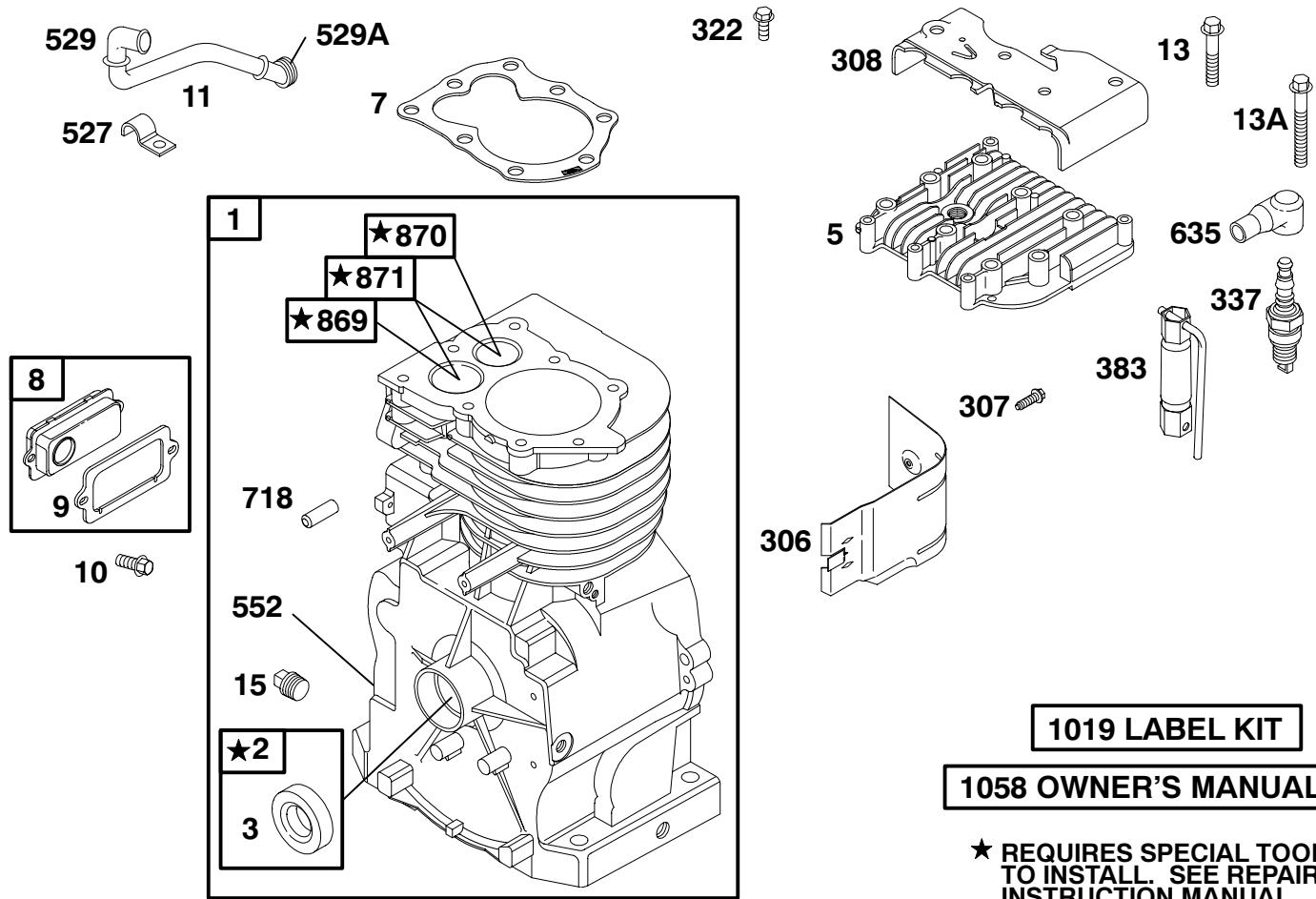
- A. Refer to Engine Model, Type and Code Number that is stamped on the blower housing of engine. Engine type numbers such as 0123 01 are listed only as 0123 in most instances. The two digits (01 or 02, etc.) to the right of the space may be required for more accurate parts identification in some instances. Select the Illustrated Parts List covering the correct Model Series and Type Number.
- B. Refer to the Illustrations and compare the original part with Illustration. The number next to the illustration is the Reference Number. Assemblies include all parts shown in frames. All parts shown in assembly frames having individual reference numbers can be purchased separately.
- C. After the Reference Number has been identified, refer to the Numerical text, where Reference and Primary Part Number are listed. **THE PRIMARY PART IS USED ON ALL TYPE NUMBERS EXCEPT THOSE TYPE NUMBERS UNDER "NOTE."**
- D. If a "Note" appears below the Primary Part Number, it means that this part differs from the Primary Part for certain types. If your Type number is listed under "Note," order the part referred to at the "Note."
- E. If your Engine Type Number does not appear after any part number listed under "Note," use the Primary Part Number.
- F. For Engine Type Numbers not covered by this book, check other Parts Lists having the same engine model or contact your source of supply.

PRINTED IN U.S.A.



COPYRIGHT by BRIGGS & STRATTON CORPORATION
All rights reserved. No part of this material may be reproduced or transmitted, in any form or by any means, electronic or mechanical, including photocopying, recording or by any information storage and retrieval system, without permission in writing from Briggs & Stratton Corporation.

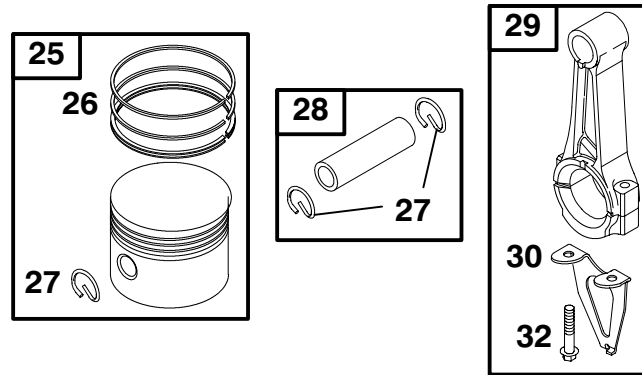
137200 to 137299



REF. NO.	PART NO.	DESCRIPTION	REF. NO.	PART NO.	DESCRIPTION	REF. NO.	PART NO.	DESCRIPTION
1	497144	Cylinder Assembly	306	690483	Shield-Cylinder	870	211172	Seat-Valve (Exhaust)
2	399268	Kit-Bushing/Seal	307	94680	Screw (Cylinder Head Cover)	871	262001	Bushing-Valve Guide (Exhaust Valve)
3	★299819	Seal-Oil (Magneto Side)	308	694514	Cover-Cylinder Head	----- Note -----		
5	214040	Head-Cylinder	322	691129	Screw (Cylinder Head Cover)			63709 Bushing-Valve Guide (Intake Valve)
7★	272157	Gasket-Cylinder Head	337	802592	Sparkplug	1019	491100	Kit-Label
8	495774	Breather Assembly	383	89838	Wrench-Sparkplug	1058	274784	Owner's Manual (Emission Engines)
9	★ 27549	Gasket-Breather	527	223786	Clamp-Tube	----- Note -----		
10	691666	Screw (Breather Assembly)	529	67838	Grommet (90 Degree)			272646 Owner's Manual (Non Emission Engines)
11	231550	Tube-Breather	529A	66578	Grommet (120 Degree)			
13	94221	Screw (Cylinder Head) (2 1/8" Long)	552	690508	Bushing-Governor Crank			
13A	94679	Screw (Cylinder Head) (2 1/2" Long)	635	66538	Boot-Sparkplug			
15	94916	Plug-Oil Drain	718	230192	Pin-Locating			
			869	211787	Seat-Valve (Intake)			

★ Included in Engine Gasket Set-Ref. 358.
 ● Included in Carburetor Overhaul Kit-Ref. 121.

Included in Valve Gasket Set-Ref. 1095.

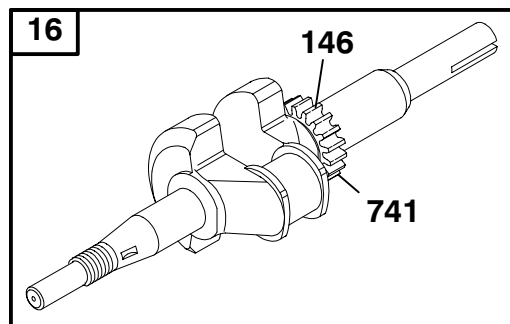
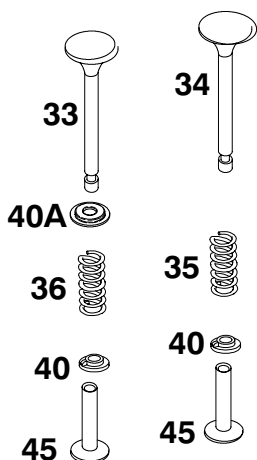


REF. NO.	PART NO.	DESCRIPTION	REF. NO.	PART NO.	DESCRIPTION	REF. NO.	PART NO.	DESCRIPTION
25	498668	Piston Assembly (Standard) (Used After Code Date 99011100). ----- Note ----- 298904 Piston Assembly (Standard) (Used Before Code Date 99011200). 498669 Piston Assembly (.010" O.S.) (Used After Code Date 99011100). 298905 Piston Assembly (.010" O.S.) (Used Before Code Date 99011200). 498670 Piston Assembly (.020" O.S.) (Used After Code Date 99011100). 298906 Piston Assembly (.020" O.S.) (Used Before Code Date 99011200).						
			26	498680	Ring Set (Standard) (Used After Code Date 99011100). ----- Note ----- 298982 Ring Set (Standard) (Used Before Code Date 99011200). 498681 Ring Set (.010" O.S.) (Used After Code Date 99011100). 298983 Ring Set (.010" O.S.) (Used Before Code Date 99011200). 498682 Ring Set (.020" O.S.) (Used After Code Date 99011100). 298984 Ring Set			
								(.020" O.S.) (Used Before Code Date 99011200). 498683 Ring Set (.030" O.S.) (Used After Code Date 99011100). 298985 Ring Set (.030" O.S.) (Used Before Code Date 99011200). 27 26026 Lock-Piston Pin 28 298909 Pin-Piston (Standard) ----- Note ----- 298908 Pin-Piston (.005" O.S.) 29 299430 Rod-Connecting (Standard) ----- Note ----- 390459 Rod-Connecting (.020" Undersize) 30 221890 Dipper-Connecting Rod 32 94699 Screw (Connecting Rod)

★ Included in Engine Gasket Set-Ref. 358.
● Included in Carburetor Overhaul Kit-Ref. 121.

Included in Valve Gasket Set-Ref. 1095.

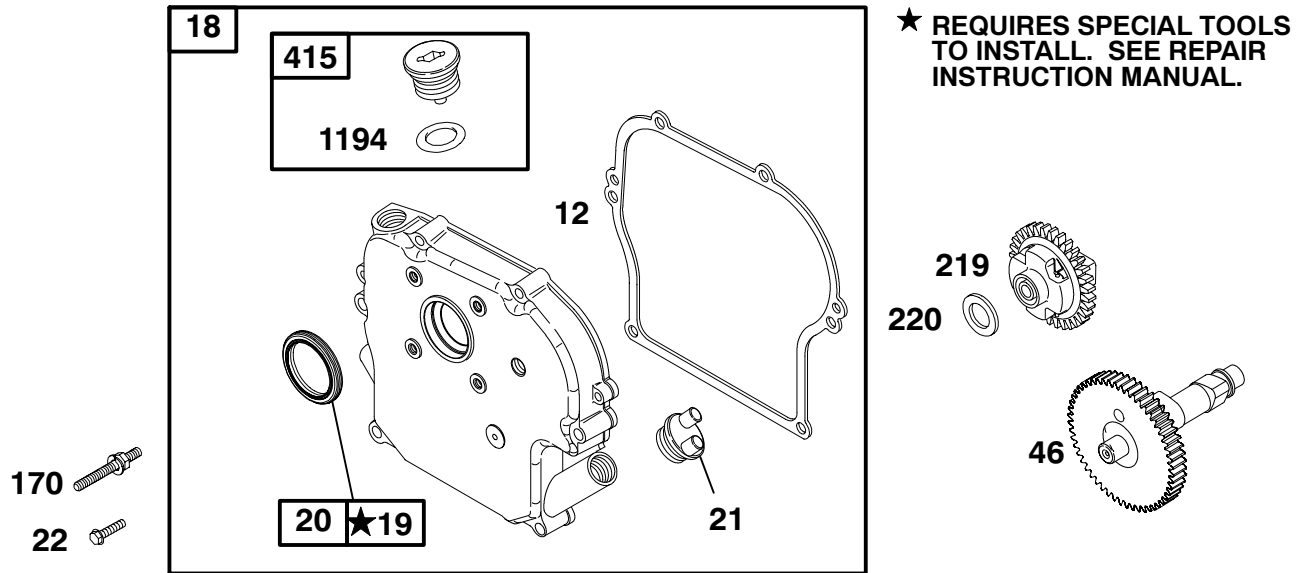
137200 to 137299



REF. NO.	PART NO.	DESCRIPTION	REF. NO.	PART NO.	DESCRIPTION	REF. NO.	PART NO.	DESCRIPTION						
16	492088	Crankshaft	33	211119	Valve-Exhaust	40A	225257	Retainer-Valve (Exhaust)						
		----- Note -----	34	261044	Valve-Intake			45	260642	Tappet-Valve				
		397103 Crankshaft Used on Type No(s). 0134, 1134, 1231.	35	260552	Spring-Valve (Intake)					146	94388	Key-Timing (Used With Timing Gear 262992)		
		495649 Crankshaft Used on Type No(s). 0718.	36	26478	Spring-Valve (Exhaust)							741	262992	Gear-Timing (Uses Woodruff Key)
		499764 Crankshaft Used on Type No(s). 1313.	40	93312	Retainer-Valve (Intake/Exhaust)									

★ Included in Engine Gasket Set-Ref. 358.
● Included in Carburetor Overhaul Kit-Ref. 121.

Included in Valve Gasket Set-Ref. 1095.

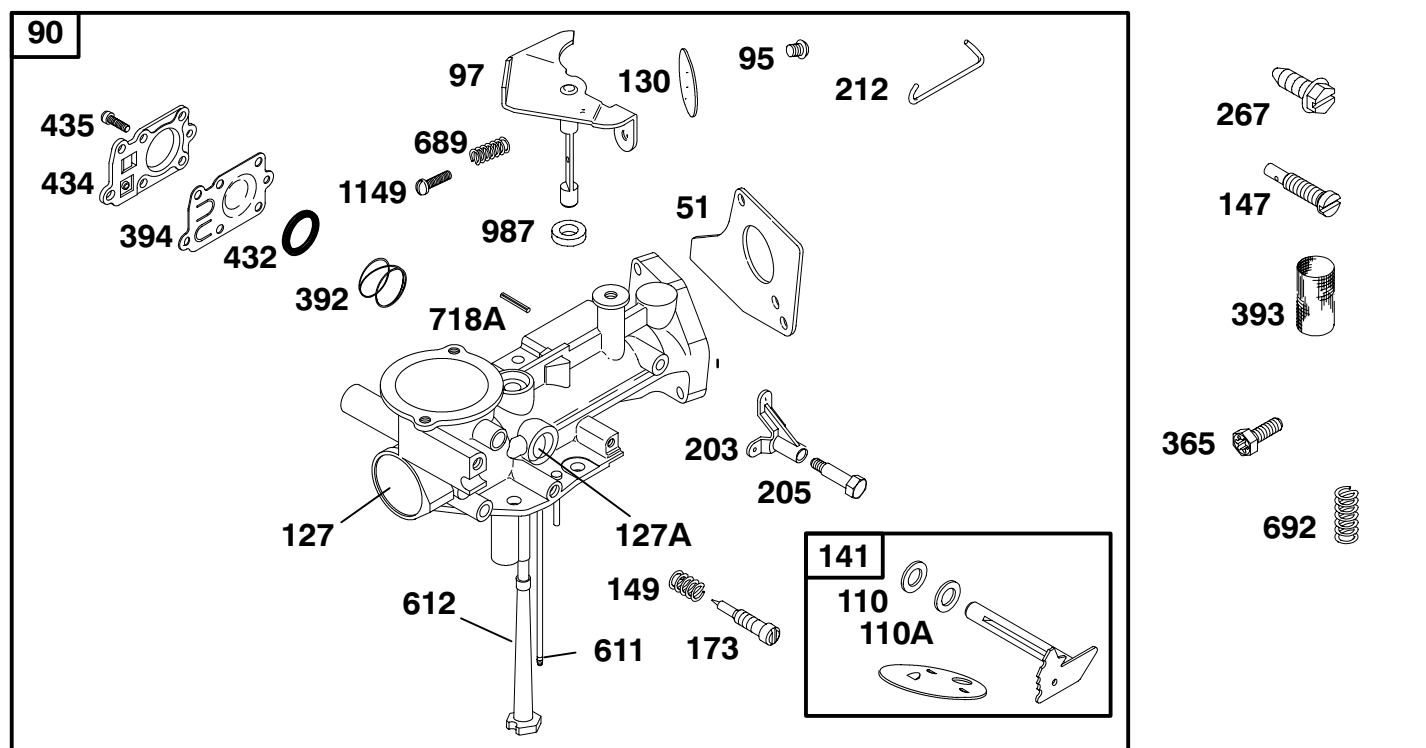


REF. NO.	PART NO.	DESCRIPTION	REF. NO.	PART NO.	DESCRIPTION	REF. NO.	PART NO.	DESCRIPTION
12	★270080	Gasket-Crankcase (.015" Standard) ----- Note ----- ★270125 Gasket-Crankcase (.005") ★270126 Gasket-Crankcase (.009")	19	495660	Kit-Bushing/Seal ----- Note ----- 495660 Kit-Bushing/Seal Used on Type No(s). 0718, 1313.	46	212733	Camshaft ----- Note ----- 691164 Camshaft Used on Type No(s). 0714, 0717, 0718.
18	694350	Cover-Crankcase (Plain Bearing) (Used After Code Date 99031400). ----- Note ----- 494044 Cover-Crankcase (Plain Bearing) (Used Before Code Date 99031500). Used on Type No(s). 0718, 1313. 694377 Cover-Crankcase (Used After Code Date 99031400). Used on Type No(s). 0718, 1313. 493916 Cover-Crankcase (Used Before Code Date 99031500). Used on Type No(s). 0718, 1313.	20	★294606	Seal-Oil (PTO Side, 1 3/8" O.D.) ----- Note ----- ★495307 Seal-Oil (PTO Side, 1 5/8" O.D.) Used on Type No(s). 0718, 1313.	170	691120	Screw (Crankcase Cover/Sump)(Install In Position #4 and #5) Used on Type No(s). 0117, 0123, 0717, 0718, 1117, 1123, 1125, 1126.
			21	281658	Cap-Oil Fill	219	494845	Gear-Governor
			22	94682	Screw (Crankcase Cover/Sump)	220	221551	Washer (Governor Gear)
						415	691363	Plug
						1194	271485	O-Ring Seal (Plug)

★ Included in Engine Gasket Set-Ref. 358.
● Included in Carburetor Overhaul Kit-Ref. 121.

Included in Valve Gasket Set-Ref. 1095.

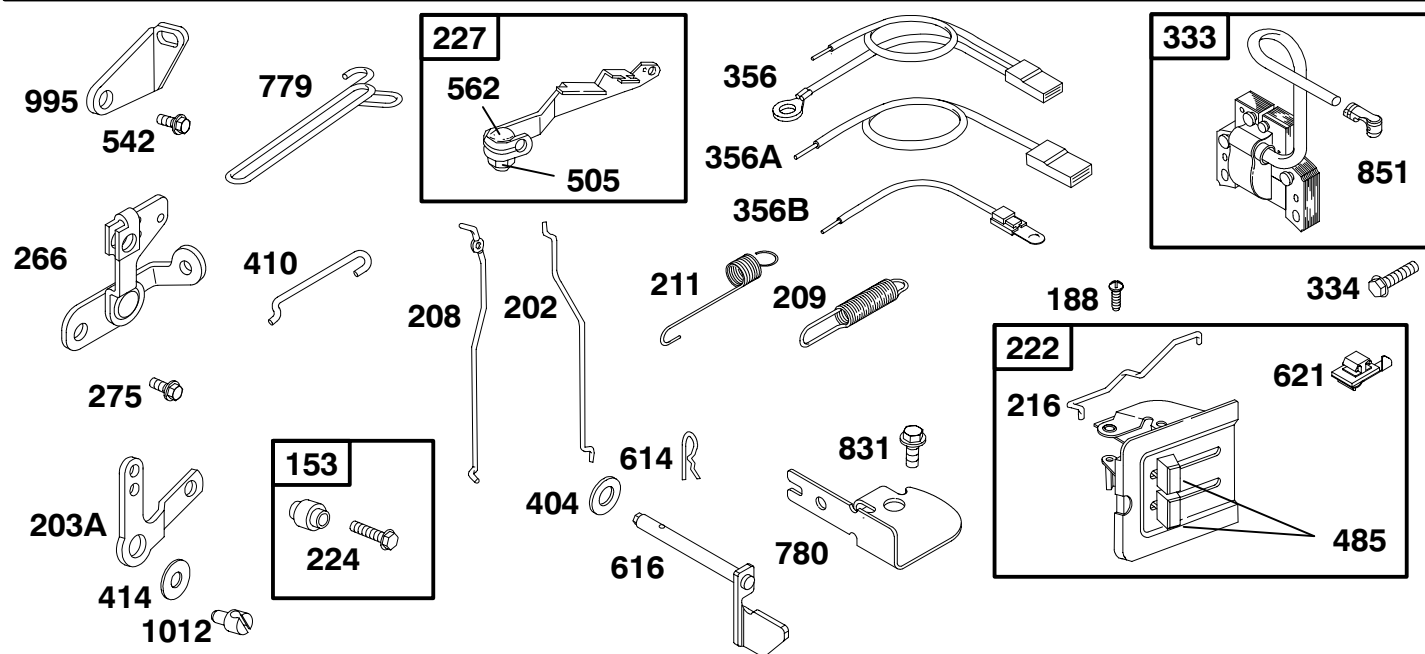
137200 to 137299



REF. NO.	PART NO.	DESCRIPTION	REF. NO.	PART NO.	DESCRIPTION	REF. NO.	PART NO.	DESCRIPTION
51	★273113	Gasket-Intake	147	691250	Jet-Pilot (Standard)	393	691213	Screen-Carburetor
90	495426	Carburetor			Used on Type No(s). 0714, 0717, 0718, 1124, 1125, 1126, 1127, 1134.	394	●272538	Diaphragm-Carburetor
		----- Note -----				432	221377	Cap-Spring
		498298 Carburetor	149	26336	Spring-Needle Valve	434	213963	Cover-Diaphragm
		Used on Type No(s). 0714, 0717, 0718, 1124, 1125, 1126, 1127, 1134, 1231, 1313.	173	●231533	Valve-Idle Mixture	435	93141	Screw (Diaphragm Cover)
95	93499	Screw (Throttle Valve)	203	280720	Crank-Bell (Standard, Nylon)	611	231068	Pipe-Fuel
97	497600	Shaft-Throttle	205	231520	Screw (Bell Crank, 1 3/32 Long)	612	391813	Tube-Pick-Up (Uses Clip Spring)
110	270382	Washer (Choke Shaft, Felt)	212	262270	Link-Throttle	689	260575	Spring-Friction (Idle Screw)
110A	690401	Washer (Choke Shaft, Brass)	267	691082	Screw (Casing Clamp)	692	690572	Spring-Detent Used on Type No(s). 0714, 0717, 0718, 1124, 1125, 1126, 1127, 1134.
127	220352	Plug-Welch (1 1/16" Diameter)	365	94913	Screw (Carburetor)	718A	690296	Pin-Locating (Pump Cover)
127A	223789	Plug-Welch (3/64" Diameter)	392	262328	Spring-Pump Diaphragm	987	695273	Seal-Throttle Shaft 5/16" Thick
130	223793	Valve-Throttle				1149	93527	Screw (Throttle Shaft)
141	497230	Kit-Choke Shaft						

★ Included in Engine Gasket Set-Ref. 358.
● Included in Carburetor Overhaul Kit-Ref. 121.

Included in Valve Gasket Set-Ref. 1095.

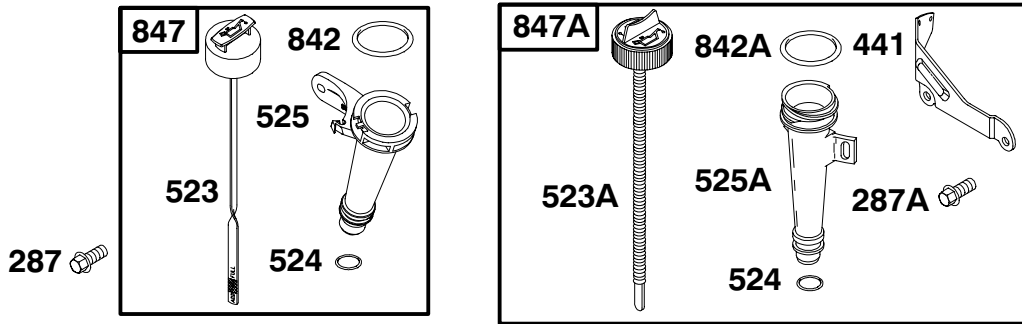


REF. NO.	PART NO.	DESCRIPTION	REF. NO.	PART NO.	DESCRIPTION	REF. NO.	PART NO.	DESCRIPTION
153	490589	Kit-Collar/Screw	211	263031	Spring-Governed Idle	404	94927	Washer (Governor Crank)
188	94924	Screw (Control Bracket)	216	262359	Link-Choke (Manual)	410	691274	Link-Control
202	262280	Link-Mechanical Governor	222	490649	Bracket-Control (Panel)	414	220982	Washer (Bell Crank)
203A	223813	Crank-Bell	224	690320	Screw (Control Collar)	485	280715	Knob-Control (Slide)
208	262279	Rod-Governor Control	227	690653	Lever-Governor Control	505	691251	Nut (Governor Control Lever)
209	262948	Spring-Governor (Silver)	266	691414	Control-Throttle (Remote/Governor Idle)	542	94897	Screw (Link Bracket)
		----- Note -----	275	691683	Screw (Throttle Control)	562	691119	Bolt (Governor Control Lever)
		690549 Spring-Governor (Blue) Used on Type No(s). 0717, 0718, 1117, 1123, 1134, 1231, 1313.	333	397358	Armature-Magneto	614	93306	Pin-Cotter
		690549 Spring-Governor (Blue) (Used Before Code Date 98081700). Used on Type No(s). 1125, 1126.	334	93414	Screw (Magneto Armature)	616	495243	Crank-Governor
		262282 Spring-Governor (Red) Used on Type No(s). 0117, 0123, 0134.	356	398808	Wire-Stop (2 Wire, 1 Ring Terminal, 1 Bare Wire End, 1 Insulated Male Blade Terminal)	621	396847	Switch-Stop
		262283 Spring-Governor (Black) Used on Type No(s). 0116, 0122, 0128.	356A	692390	Wire-Stop (1 Wire, 1 Bare Wire End, 1 Insulated Male Blade Terminal)	779	262570	Link-Bell Crank
			356B	691408	Wire-Stop (1 Wire, Rounded Blade Terminal, 1 Bare Wire End)	780	691211	Anchor-Spring
						831	691099	Screw (Spring Anchor)
						851	493880	Terminal-Sparkplug
						995	225057	Bracket-Link
						1012	490507	Retainer-Link

★ Included in Engine Gasket Set-Ref. 358.
● Included in Carburetor Overhaul Kit-Ref. 121.

Included in Valve Gasket Set-Ref. 1095.

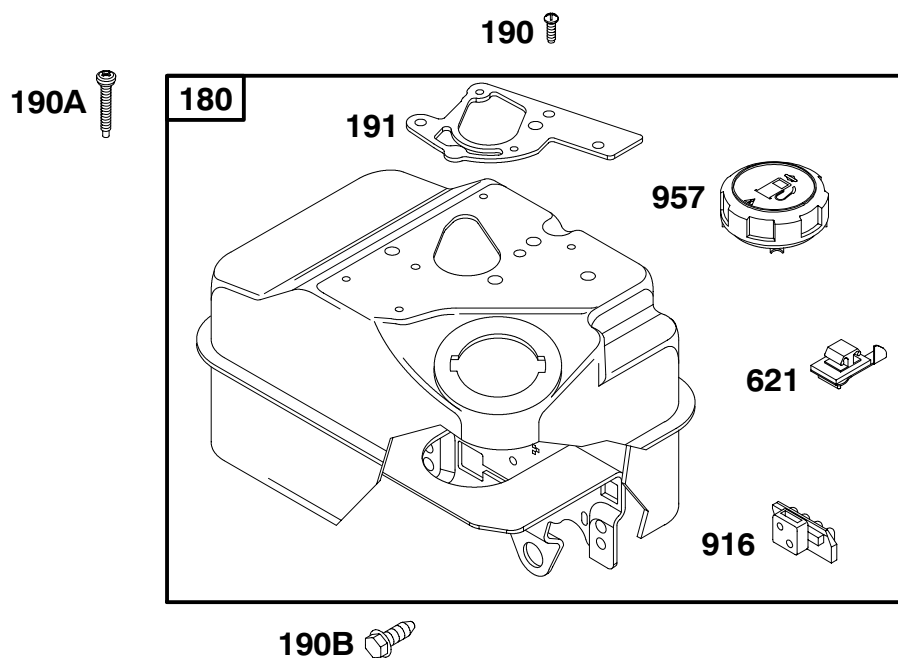
137200 to 137299



REF. NO.	PART NO.	DESCRIPTION	REF. NO.	PART NO.	DESCRIPTION	REF. NO.	PART NO.	DESCRIPTION
287	94807	Screw (Dipstick, 5/8" Long)	524	★271485	Seal-Dipstick Tube	842A	★270920	O-Ring Seal (1 3/16" I.D.) (Used Before Code Date 99031500).
287A	94929	Screw (Dipstick, 3/8" Long)	525	694379	Tube-Dipstick (For Flat Wire Dipstick) (Used After Code Date 99031400).	847	694381	Dipstick/Tube Assembly (Without Bracket) (Used After Code Date 99031400).
441	690448	Bracket-Oil Fill	525A	694531	Tube-Dipstick (For Spring Dipstick) (Used Before Code Date 99031500).	847A	691379	Dipstick/Tube Assembly (With Bracket) (Used Before Code Date 99031500).
523	495264	Dipstick (Flat Wire) (Used After Code Date 99031400).	842	★280393	O-Ring Seal (7/8" I.D.) (Used After Code Date 99031400).			
523A	691388	Dipstick (Spring) (Used Before Code Date 99031500).						

★ Included in Engine Gasket Set-Ref. 358.
● Included in Carburetor Overhaul Kit-Ref. 121.

Included in Valve Gasket Set-Ref. 1095.

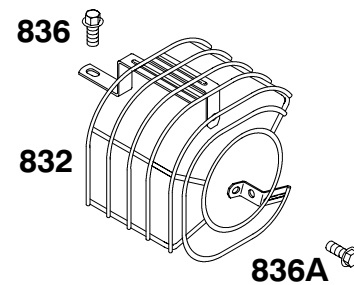
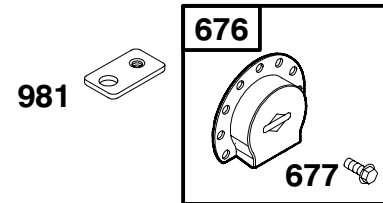
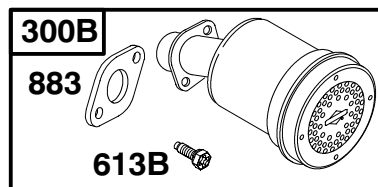
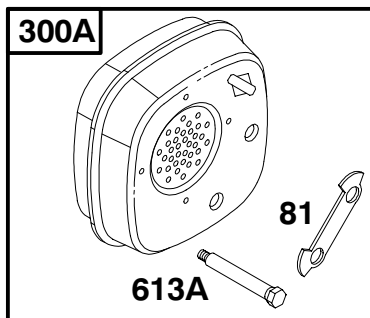
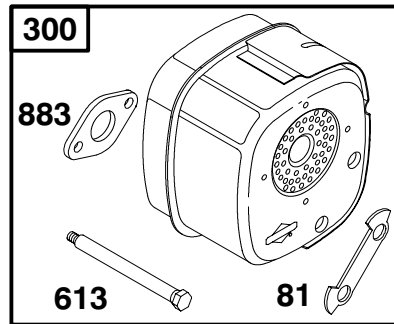
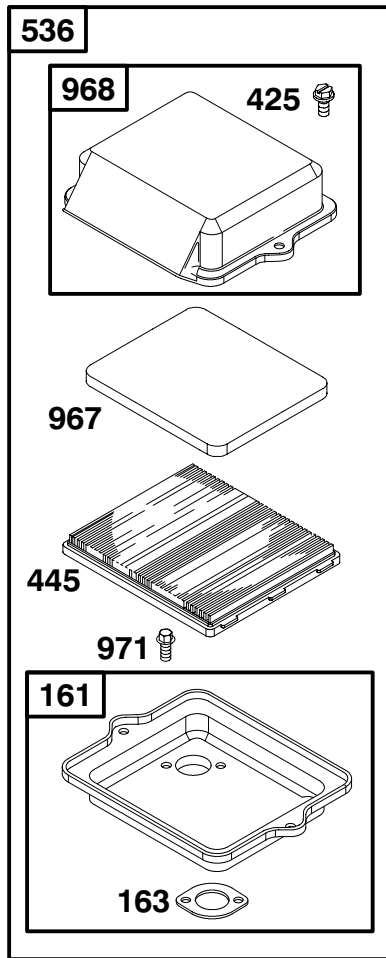


REF. NO.	PART NO.	DESCRIPTION	REF. NO.	PART NO.	DESCRIPTION	REF. NO.	PART NO.	DESCRIPTION
180	495405	Tank-Fuel (3 Quart)	190B	94914	Screw (Fuel Tank)	916	280321	Rack-Governor Gear (Black)
190	94924	Screw (Fuel Tank, 3/4" Long)	191	★272489	Gasket-Fuel Tank	957	494559	Cap-Fuel Tank (Plastic)
190A	94919	Screw (Fuel Tank, 5/8" Long)	621	396847	Switch-Stop			

★ Included in Engine Gasket Set-Ref. 358.
 ● Included in Carburetor Overhaul Kit-Ref. 121.

Included in Valve Gasket Set-Ref. 1095.

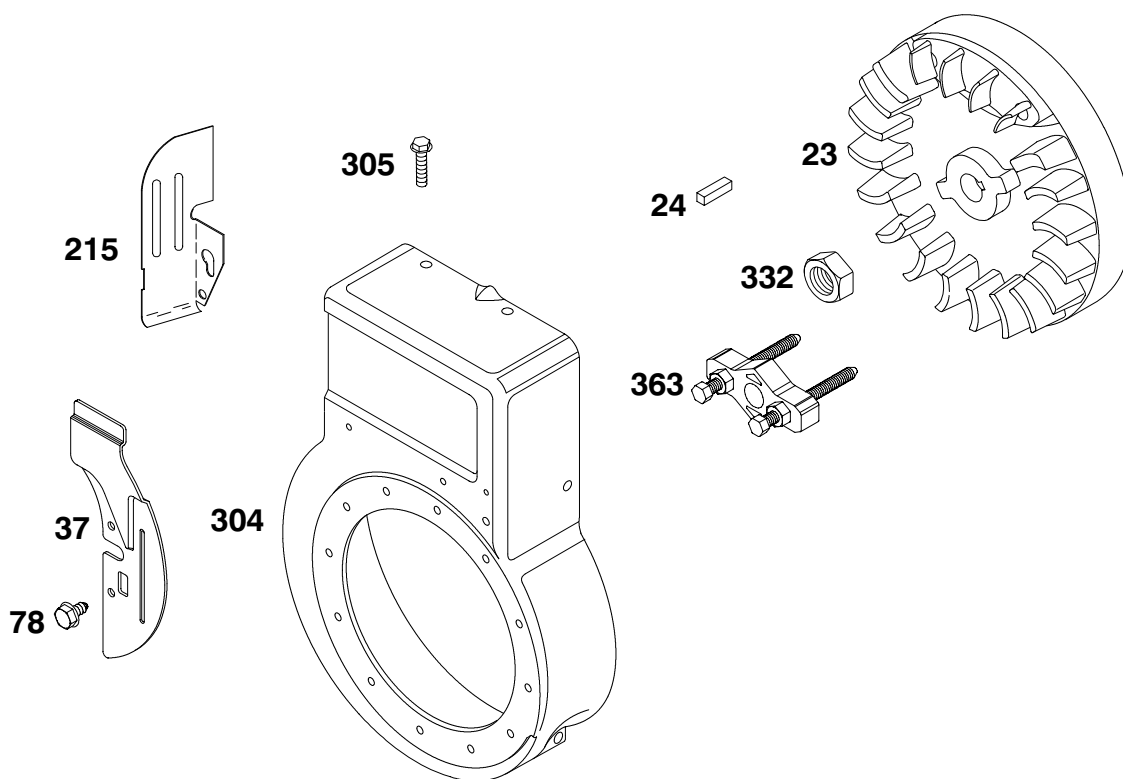
137200 to 137299



REF. NO.	PART NO.	DESCRIPTION	REF. NO.	PART NO.	DESCRIPTION	REF. NO.	PART NO.	DESCRIPTION
81	222263	Lock-Muffler Screw	536	494279	Cleaner-Air (Standard)	836	94786	Screw (Muffler Guard, 7/16" Long)
161	691990	Base-Air Cleaner (Standard)	613	94042	Screw (Muffler, 3 1/8" Long)	836A	690367	Screw (Muffler Guard, 9/16" Long)
163★	271935	Gasket-Air Cleaner	613A	93935	Screw (Muffler, 2 1/4" Long)	883	★272309	Gasket-Exhaust
300	391313	Muffler (Lo Tone)	613B	94706	Screw (Muffler, 1/2" Long)	967	491435	Filter-Pre Cleaner (Standard)
300A	494585	Muffler (Standard)	676	393757	Deflector-Muffler (Side Out)	968	495872	Cover-Air Cleaner (Standard)
300B	496892	Muffler (Round Lo Tone)	677	94896	Screw (Muffler Deflector)	971	690370	Screw (Air Cleaner Base)
425	490073	Screw (Air Cleaner Cover)	832	690625	Guard-Muffler (Lo Tone)	981	690408	Brace-Muffler
445	491588	Filter-Air Cleaner Cartridge (Standard)						

★ Included in Engine Gasket Set-Ref. 358.
● Included in Carburetor Overhaul Kit-Ref. 121.

Included in Valve Gasket Set-Ref. 1095.



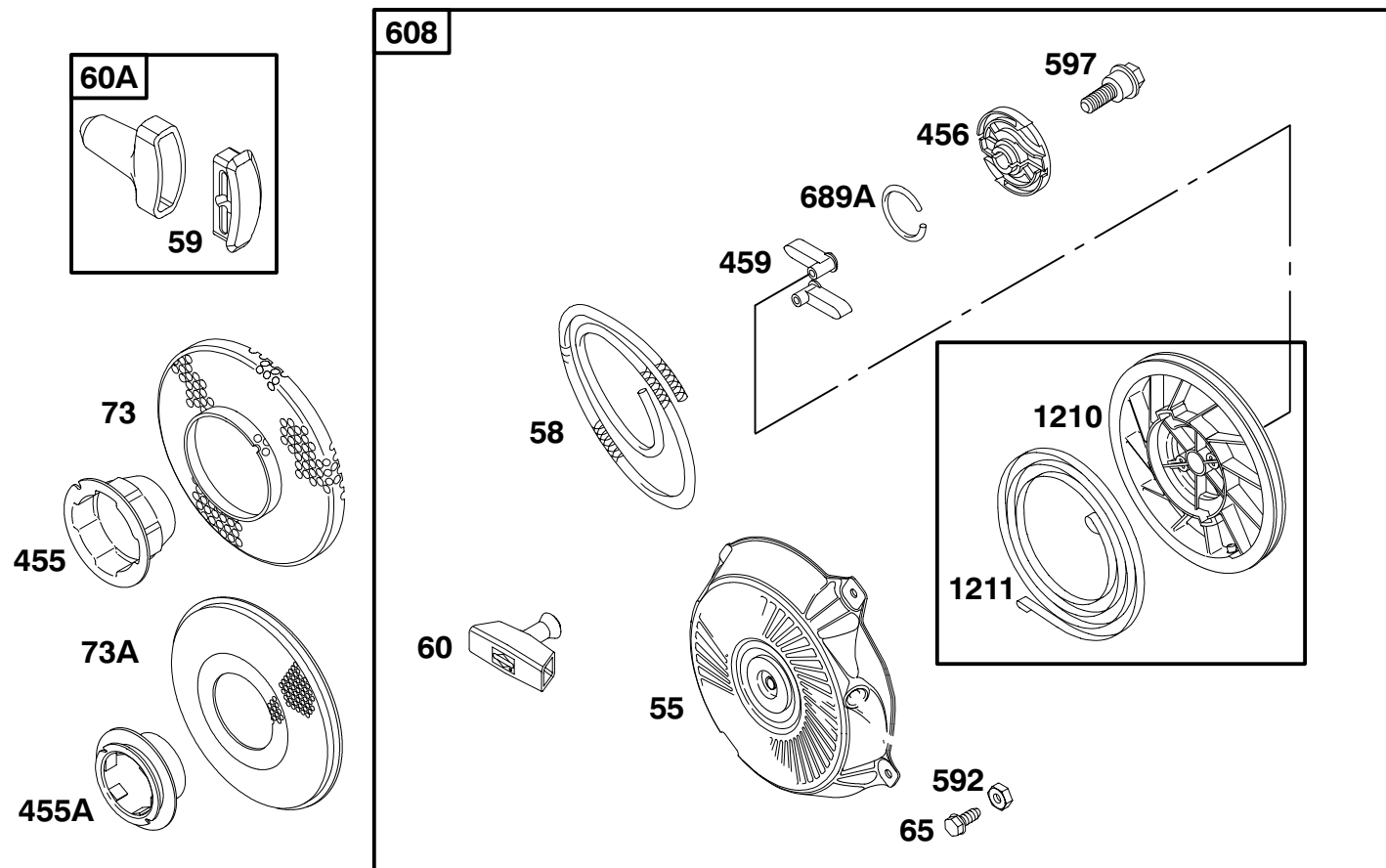
1036 LABEL KIT-EMISSION

REF. NO.	PART NO.	DESCRIPTION	REF. NO.	PART NO.	DESCRIPTION	REF. NO.	PART NO.	DESCRIPTION
23	399673	Flywheel (Rewind Start)	78	94680	Screw (Flywheel Guard)	1036	695100	Label-Emissions (Used After Code Date 9909300).
24	222698	Key-Flywheel	215	223886	Guide-Air (Rewind Start Engines)			----- Note -----
37	222443	Guard-Flywheel	304	495759	Housing-Blower (Black, Rewind Start Engines)			694517 Label-Emissions (Used Before Code Date 99100100 and After Code Date 98123100).
			305	94786	Screw (Blower Housing)			499345 Label-Emissions (Used Before Code Date 99010100 and After Code Date 97052500).
			332	94877	Nut (Flywheel)			499344 Label-Emissions (Used Before Code Date 97052600).
			363	19069	Flywheel Puller			

★ Included in Engine Gasket Set-Ref. 358.
 ● Included in Carburetor Overhaul Kit-Ref. 121.

Included in Valve Gasket Set-Ref. 1095.

137200 to 137299

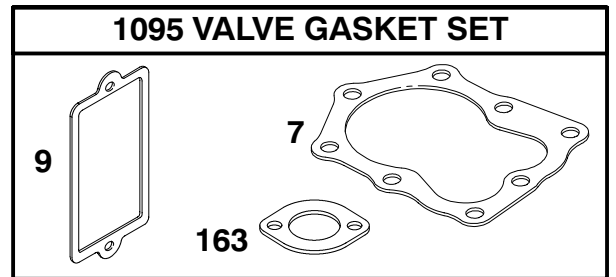
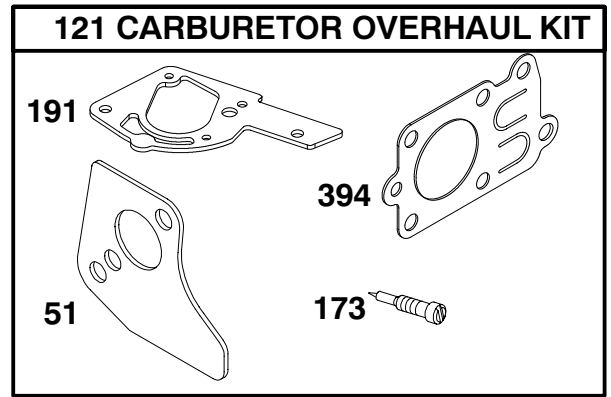
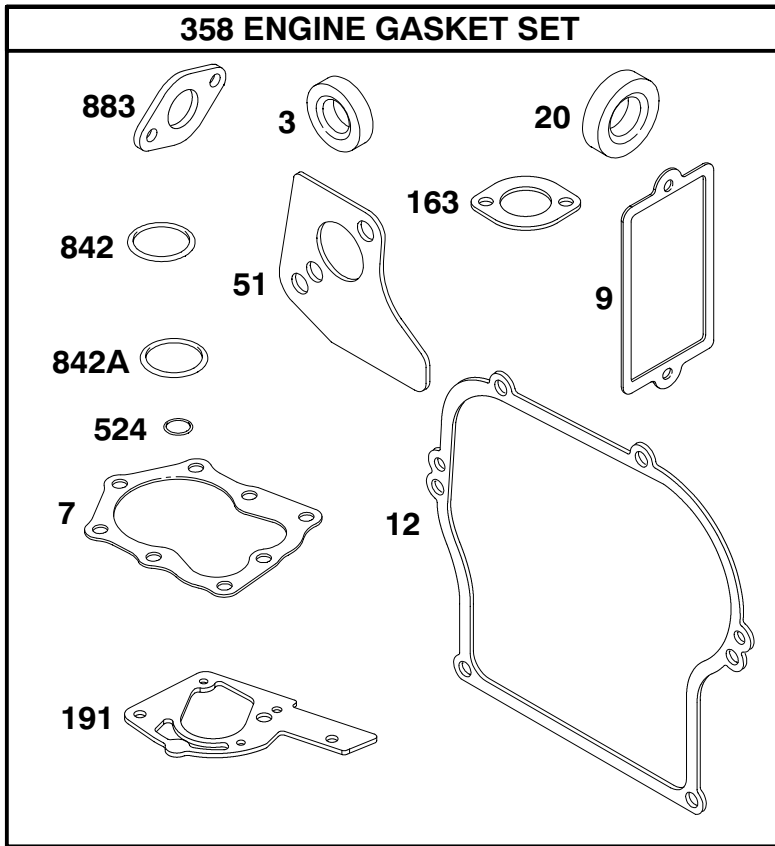


REF. NO.	PART NO.	DESCRIPTION	REF. NO.	PART NO.	DESCRIPTION	REF. NO.	PART NO.	DESCRIPTION
55	691421	Housing-Rewind Starter	73A	691226	Screen-Rotating (Without Ring) (Used After Code Date 95010800).	592	94908	Nut (Rewind Starter)
58	691921	Rope-Starter (Cut To Required Length)	455	691219	Cup-Flywheel (With Ring) (Used After Code Date 95020300).	597	94943	Screw (Pawl Friction Plate)
59	396892	Insert-Grip	455A	691426	Cup-Flywheel (Without Ring) (Used After Code Date 95010800).	608	497830	Starter-Rewind
60	281101	Grip-Starter Rope	456	281503	Plate-Pawl Friction	689A	263073	Spring-Friction (Ratchet Pawl)
60A	393152	Grip-Starter Rope (Rewind Starter)	459	281505	Pawl-Ratchet	1210	498144	Pulley/Spring Assembly (Pulley)
65	94904	Screw				1211	498144	Pulley/Spring Assembly (Spring)
73	691225	Screen-Rotating (With Ring) (Used After Code Date 95020300).						

★ Included in Engine Gasket Set-Ref. 358.

● Included in Carburetor Overhaul Kit-Ref. 121.

Included in Valve Gasket Set-Ref. 1095.



REF. NO.	PART NO.	DESCRIPTION	REF. NO.	PART NO.	DESCRIPTION	REF. NO.	PART NO.	DESCRIPTION
3	★299819	Seal-Oil (Magneto Side)	20	★294606	Seal-Oil (PTO Side, 1 3/8" O.D.)	191	★●272489	Gasket-Fuel Tank
7	★ 272157	Gasket-Cylinder Head			----- Note -----	358	495603	Gasket Set-Engine
9	★ 27549	Gasket-Breather			★495307 Seal-Oil (PTO Side, 1 5/8" O.D.)	394	●272538	Diaphragm-Carburetor
12	★270080	Gasket-Crankcase (.015" Standard)			Used on Type No(s). 0718, 1313.	524	★271485	Seal-Dipstick Tube
		----- Note -----				842	★280393	O-Ring Seal (7/8" I.D.) (Used After Code Date 99031400).
		★270125 Gasket-Crankcase (.005")	51	★●273113	Gasket-Intake	842A	★270920	O-Ring Seal (1 3/16" I.D.) (Used Before Code Date 99031500).
		★270126 Gasket-Crankcase (.009")	121	495606	Kit-Carburetor Overhaul	883	★272309	Gasket-Exhaust
			163	★ 271935	Gasket-Air Cleaner	1095	498529	Gasket Set-Valve
			173	●231533	Valve-Idle Mixture			

★ Included in Engine Gasket Set-Ref. 358.
● Included in Carburetor Overhaul Kit-Ref. 121.

Included in Valve Gasket Set-Ref. 1095.