

135200 to 135299

Illustrated Parts List

Model Series

135200 to 135299

TYPE NUMBERS

0001 through 0026,
0027 through 0049,
0059 through 0075,
0079 through 0093,
0105 through 0128,
0129 through 0169,
0171 through 0200,
0202 through 0217,
0219 through 0238,
0240 through 0256,
0258 through 0269,
0271 through 0299,
0300 through 0327,
0603 through 0616,

TYPE NUMBERS

0620 through 0626,
0635 through 0660,
0670, 0671, 0679,
0700 through 0717,
0727 through 0740,
0747 through 0767,
0772 through 0791,
0814, 0815, 0913
1003 through 1050,
1060 through 1093,
1105 through 1197,
1200 through 1299,
1301 through 1333,
1336 through 1345.

TO FIND

**THE CORRECT NUMBER OF THE PART YOU NEED:
FOLLOW THE INSTRUCTIONS BELOW**

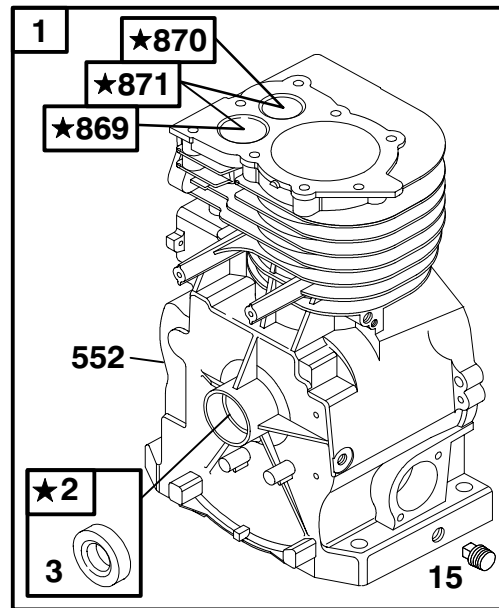
- A. Refer to Engine Model, Type and Code Number that is stamped on the blower housing of engine. Engine type numbers such as 0123 01 are listed only as 0123 in most instances. The two digits (01 or 02, etc.) to the right of the space may be required for more accurate parts identification in some instances. Select the Illustrated Parts List covering the correct Model Series and Type Number.
- B. Refer to the Illustrations and compare the original part with Illustration. The number next to the illustration is the Reference Number. Assemblies include all parts shown in frames. All parts shown in assembly frames having individual reference numbers can be purchased separately.
- C. After the Reference Number has been identified, refer to the Numerical text, where Reference and Primary Part Number are listed. **THE PRIMARY PART IS USED ON ALL TYPE NUMBERS EXCEPT THOSE TYPE NUMBERS UNDER "NOTE."**
- D. If a "Note" appears below the Primary Part Number, it means that this part differs from the Primary Part for certain types. If your Type number is listed under "Note," order the part referred to at the "Note."
- E. If your Engine Type Number does not appear after any part number listed under "Note," use the Primary Part Number.
- F. For Engine Type Numbers not covered by this book, check other Parts Lists having the same engine model or contact your source of supply.

PRINTED IN U.S.A.



COPYRIGHT by BRIGGS & STRATTON CORPORATION
All rights reserved. No part of this material may be reproduced or transmitted, in any form or by any means, electronic or mechanical, including photocopying, recording or by any information storage and retrieval system, without permission in writing from Briggs & Stratton Corporation.

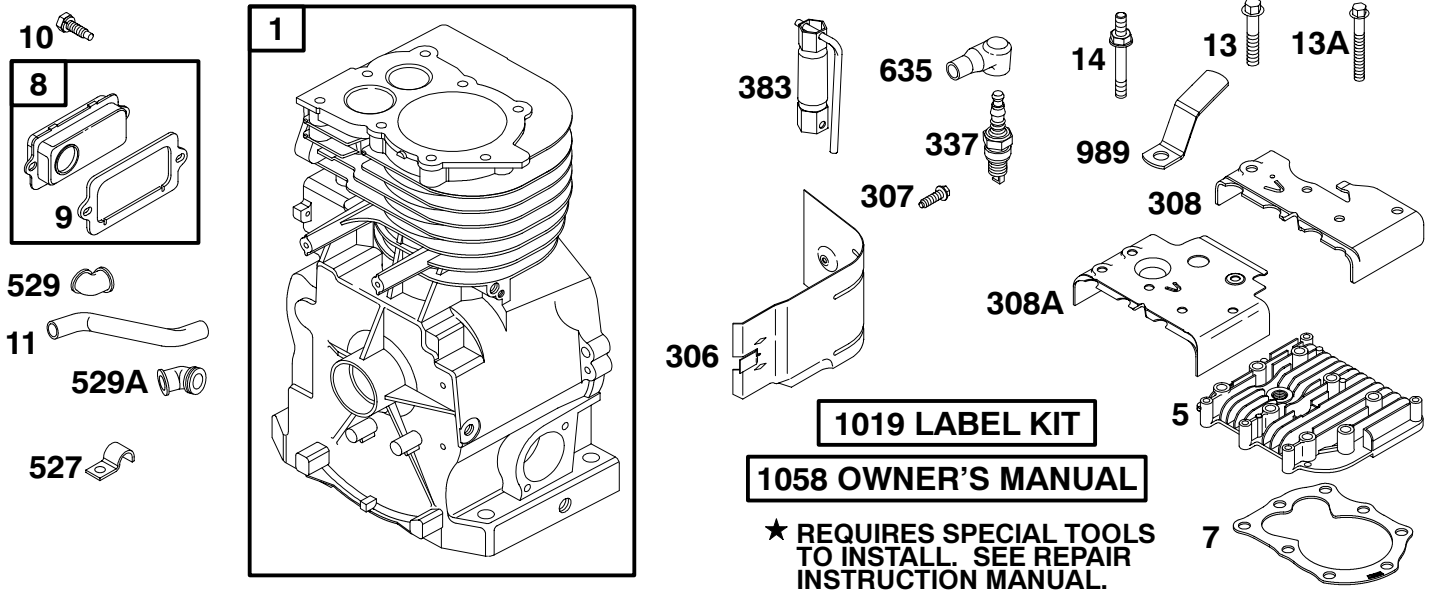
135200 to 135299



REF. NO.	PART NO.	DESCRIPTION	REF. NO.	PART NO.	DESCRIPTION	REF. NO.	PART NO.	DESCRIPTION									
1	497144	Cylinder Assembly ----- Note ----- 494955 Cylinder Assembly Used on Type No(s). 0011, 0013, 0022, 0025, 0026, 0059, 0072, 0075, 0080, 0082, 0083, 0084, 0093, 0115, 0121, 0126, 0138, 0157, 0162, 0163, 0164, 0166, 0168, 0181, 0205, 0215, 0225, 0226, 0236, 0241, 0244, 0247, 0248, 0251, 0252, 0256, 0259, 0264, 0277, 0291, 0292, 0297, 0299, 0312, 0314, 0327, 0611, 0625, 0626, 0752, 0757, 0762, 0791, 1011, 1012, 1025, 1026, 1072, 1075, 1080, 1084, 1093, 1115, 1157, 1215, 1252, 1291, 1292, 1312, 1314, 1327, 1328, 1333, 1337, 1340.	2	399268	Kit-Bushing/Seal (Magneto Side) (Used After Code Date 94012300). ----- Note ----- 297565 Kit-Bushing/ Seal (Magneto Side) (Used Before Code Date 94012400).	552	690508	Bushing-Governor Crank	869	211787	Seat-Valve (Intake)	870	211172	Seat-Valve (Exhaust)	871	262001	Bushing-Valve Guide (Exhaust Valve) ----- Note ----- 63709 Bushing-Valve Guide (Intake Valve)
			3	*299819	Seal-Oil (Magneto Side)												
			15	94916	Plug-Oil Drain (Extruded Square Head)												

★ Included in Engine Gasket Set-Ref. No. 358.
● Included in Carburetor Overhaul Kit-Ref. No. 121.

Included in Valve Gasket Set-Ref. No. 1095.

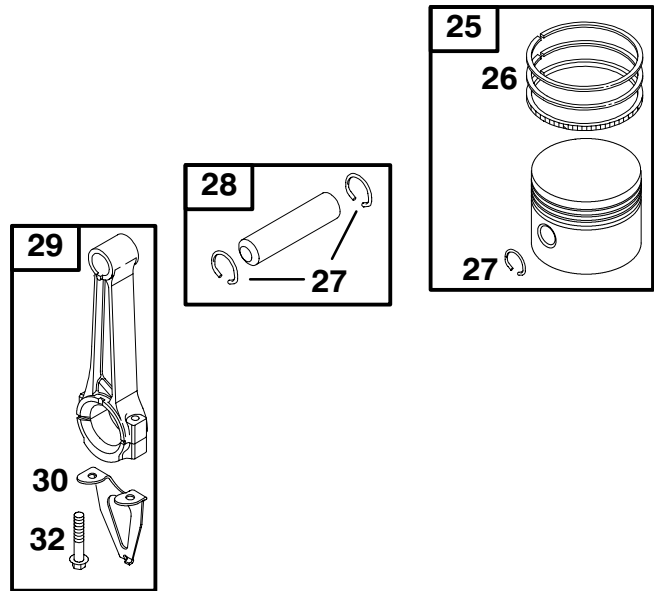


REF. NO.	PART NO.	DESCRIPTION	REF. NO.	PART NO.	DESCRIPTION	REF. NO.	PART NO.	DESCRIPTION
1		Cylinder Assembly (See previous page)	14	94926	Stud (Cylinder Head)	635	66538	Boot-Sparkplug
5	214040	Head-Cylinder	306	690483	Shield-Cylinder	989	221828	Stopswitch-Sparkplug Used on Type No(s). 1011-01, 1012.
7	★ 272157	Gasket-Cylinder Head	307	94680	Screw (Cylinder Shield)	1019	491100	Kit-Label
8	495774	Breather Assembly	308	694514	Cover-Cylinder Head (Standard)	1058	274266	Owner's Manual (Emission)
9	★ 27549	Gasket-Breather	308A	690473	Cover-Cylinder Head (Full)	----- Note -----		
10	691666	Screw (Breather Assembly)	337	492167	Sparkplug	272646		Owner's Manual (Non Emission)
11	231550	Tube-Breather	----- Note -----			270096		Owner's Manual (Non Emission)
		----- Note -----	383	89838	Wrench-Sparkplug	Used on Type No(s). 1011-01, 1012.		
		230722 Tube-Breather Used on Type No(s). 0299.	527	223786	Clamp-Tube	----- Note -----		
		690517 Tube-Breather Used on Type No(s). 1011-01, 1012.			221514 Clamp-Tube Used on Type No(s). 0299, 1011-01, 1012.			
13	94221	Screw (Cylinder Head, 2 3/32 Long)	529	67838	Grommet (90 Degree)			
13A	94679	Screw (Cylinder Head, 2 15/32 Long)	529A	66578	Grommet (120 Degree)			

★ Included in Engine Gasket Set-Ref. No. 358.
● Included in Carburetor Overhaul Kit-Ref. No. 121.

Included in Valve Gasket Set-Ref. No. 1095.

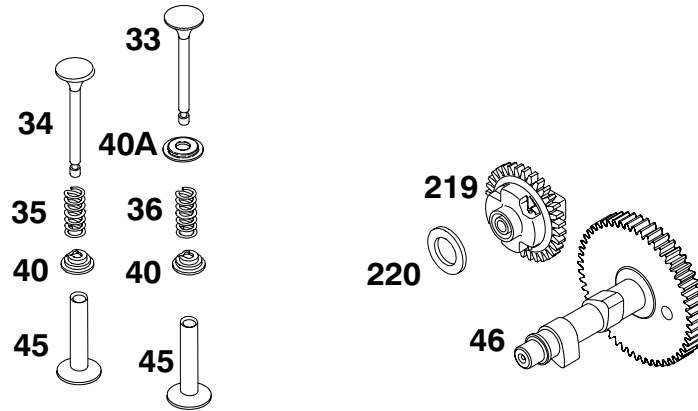
135200 to 135299



REF. NO.	PART NO.	DESCRIPTION	REF. NO.	PART NO.	DESCRIPTION	REF. NO.	PART NO.	DESCRIPTION																
25	498668	Piston Assembly (Standard) (Used After Code Date 99011100). ----- Note ----- 298904 Piston Assembly (Standard) (Used Before Code Date 99011200). ----- 498669 Piston Assembly (.010" O.S.) (Used After Code Date 99011100). 298905 Piston Assembly (.010" O.S.) (Used Before Code Date 99011200). ----- 498670 Piston Assembly (.020" O.S.) (Used After Code Date 99011100). 298906 Piston Assembly (.020" O.S.) (Used Before Code Date 99011200). -----		26	498680	Ring Set (Standard) (Used After Code Date 99011100). ----- Note ----- 298982 Ring Set (Standard) (Used Before Code Date 99011200). ----- 498681 Ring Set (.010" O.S.) (Used After Code Date 99011100). 298983 Ring Set (.010" O.S.) (Used Before Code Date 99011200). -----			498682 Ring Set (.020" O.S.) (Used After Code Date 99011100). 298984 Ring Set (.020" O.S.) (Used Before Code Date 99011200). ----- 498683 Ring Set (.030" O.S.) (Used After Code Date 99011100). 298985 Ring Set (.030" O.S.) (Used Before Code Date 99011200). -----															
										27	26026	Lock-Piston Pin												
													28	298909	Pin-Piston (Standard) ----- Note ----- 298908 Pin-Piston (.005" O.S.)									
																29	299430	Rod-Connecting ----- Note ----- 390459 Rod-Connecting (.020" Undersize)						
																			30	221890	Dipper-Connecting Rod			
																						32	94699	Screw (Connecting Rod)

★ Included in Engine Gasket Set-Ref. No. 358.
● Included in Carburetor Overhaul Kit-Ref. No. 121.

Included in Valve Gasket Set-Ref. No. 1095.

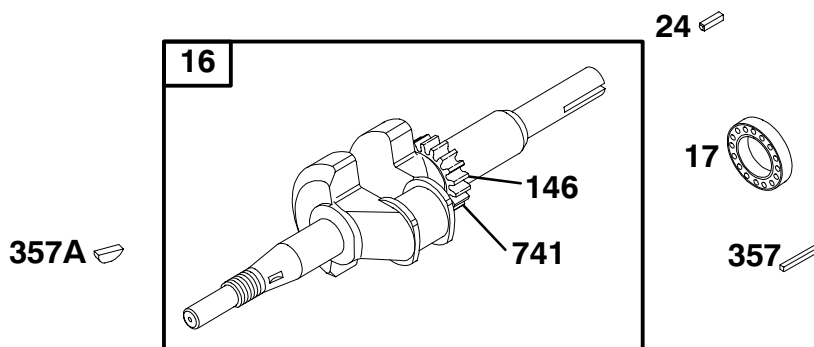


REF. NO.	PART NO.	DESCRIPTION	REF. NO.	PART NO.	DESCRIPTION	REF. NO.	PART NO.	DESCRIPTION
33	211119	Valve-Exhaust		691166	Camshaft	219	494845	Gear-Governor
34	261044	Valve-Intake			(Used Before Code Date 96112500). Used on Type No(s). 0070, 0071, 0108, 0120, 0121, 0124, 0141, 0154, 0157, 0158, 0169, 0174, 0180, 0182, 0194, 0198, 0202, 0203, 0204, 0205, 0206, 0207, 0209, 0216, 0232, 0236, 0254, 0260, 0265, 0269, 0295, 0309, 0310, 0320, 0322, 0324, 0611, 0670, 0671, 0757, 0758, 0780.			----- Note ----- 391737 Gear-Governor (Used Before Code Date 91061000).
35	260552	Spring-Valve (Intake)			0207, 0209, 0216, 0232, 0236, 0254, 0260, 0265, 0269, 0295, 0309, 0310, 0320, 0322, 0324, 0611, 0670, 0671, 0757, 0758, 0780.	220	221551	Washer (Governor Gear)
36	26478	Spring-Valve (Exhaust)			0207, 0209, 0216, 0232, 0236, 0254, 0260, 0265, 0269, 0295, 0309, 0310, 0320, 0322, 0324, 0611, 0670, 0671, 0757, 0758, 0780.			
40	93312	Retainer-Valve (Intake/Exhaust)			0207, 0209, 0216, 0232, 0236, 0254, 0260, 0265, 0269, 0295, 0309, 0310, 0320, 0322, 0324, 0611, 0670, 0671, 0757, 0758, 0780.			
40A	225257	Retainer-Valve (Exhaust)			0207, 0209, 0216, 0232, 0236, 0254, 0260, 0265, 0269, 0295, 0309, 0310, 0320, 0322, 0324, 0611, 0670, 0671, 0757, 0758, 0780.			
45	260642	Tappet-Valve			0207, 0209, 0216, 0232, 0236, 0254, 0260, 0265, 0269, 0295, 0309, 0310, 0320, 0322, 0324, 0611, 0670, 0671, 0757, 0758, 0780.			
46	691164	Camshaft (Used After Code Date 96112400). ----- Note ----- 212733 Camshaft (Used Before Code Date 96112500). 691166 Camshaft (Used After Code Date 96112400). Used on Type No(s). 0309, 0611, 0670, 0671, 0728, 0757, 0758, 0780, 1011-E1, 1070, 1071, 1128, 1154, 1157, 1158, 1169, 1180, 1194, 1232, 1261, 1265, 1309, 1310, 1320, 1324, 1336, 1337, 1338, 1343.			0207, 0209, 0216, 0232, 0236, 0254, 0260, 0265, 0269, 0295, 0309, 0310, 0320, 0322, 0324, 0611, 0670, 0671, 0757, 0758, 0780.			

★ Included in Engine Gasket Set-Ref. No. 358.
● Included in Carburetor Overhaul Kit-Ref. No. 121.

Included in Valve Gasket Set-Ref. No. 1095.

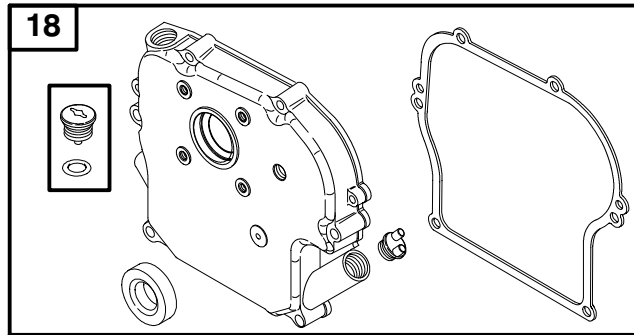
135200 to 135299



REF. NO.	PART NO.	DESCRIPTION	REF. NO.	PART NO.	DESCRIPTION	REF. NO.	PART NO.	DESCRIPTION				
16	492088	Crankshaft ----- Note ----- 397095 Crankshaft Used on Type No(s). 0049, 0107, 0155, 0215, 0243, 0277, 0649, 1049, 1215. 397103 Crankshaft Used on Type No(s). 0020, 0117, 0132, 0258, 0620, 0728, 0759, 1299, 1020, 1128, 1231, 1258, 1299. 494035 Crankshaft Used on Type No(s). 0026, 0115, 0129, 0151, 0160, 0162, 0163, 0164, 0166, 0199, 0211, 0244, 0252, 0292, 0297, 0327, 0626, 0729, 0752, 1327, 1026, 1115, 1129, 1160, 1252, 1292, 1340. 692140 Crankshaft Used on Type No(s). 1080, 1314. 495642 Crankshaft Used on Type No(s). 0080, 0314. 495643 Crankshaft Used on Type No(s). 0038, 0059, 0072, 0075, 0082, 0083, 0093, 0126, 0228, 0241, 0251, 0291, 0311, 0312, 0638, 0791, 1038, 1072, 1075, 1093, 1291, 1312.										
					495644 Crankshaft Used on Type No(s). 0035, 0084, 0131, 0247, 0301, 0326, 0635, 1035, 1084, 1301, 1326, 1328, 1333. 495645 Crankshaft Used on Type No(s). 0009, 0018, 0019, 0027, 0029, 0036, 0073, 0106, 0116, 0125, 0128, 0131, 0133, 0134, 0139, 0143, 0161, 0165, 0168, 0176, 0179, 0181, 0186, 0192, 0200, 0208, 0212, 0217, 0227, 0230, 0249, 0250, 0256, 0264, 0268, 0283, 0288, 0299, 0303, 0317, 0318, 0636, 0700, 0717, 0730, 0762, 0779, 0788, 1009, 1012, 1019, 1027, 1029, 1036, 1050, 1073, 1106, 1139, 1143, 1161, 1179, 1186, 1200, 1217, 1250, 1268, 1283, 1288, 1317, 1318. 495649 Crankshaft Used on Type No(s). 0003, 0007, 0060, 0144, 0146, 0148, 0152, 0167, 0171, 0177, 0178, 0183, 0188, 0189, 0190, 0191, 0196, 0197, 0213, 0240, 0255,							0272, 0273, 0289, 0300, 0305, 0603, 0607, 0660, 0767, 0790, 0815, 1003, 1007, 1060, 1146, 1167, 1171, 1190, 1197, 1289, 1330. 499764 Crankshaft Used on Type No(s). 0079, 0140, 0223, 0263, 0294, 0298, 0302, 0307, 0308, 0679, 0702, 0913, 1008, 1079, 1140, 1223, 1263, 1308, 1313. 499765 Crankshaft Used on Type No(s). 0014, 0253. 692142 Crankshaft Used on Type No(s). 0740, 0814, 1261.
						17	494874	Bearing-Ball				
						24	222698	Key-Flywheel (35/64 Long)				
						146	94388	Key-Timing (Used with Timing Gear 262992). ----- Note ----- 230978 Key-Timing (Used with Timing Gear 261696)				
						357	91539	Key-Drive Pulley (1 1/2 Long)				
						357A	690339	Key-Drive Pulley (Woodruff)				
						741	262992	Gear-Timing (Uses Woodruff Key) ----- Note ----- 261696 Gear-Timing (Uses Locating Pin)				

★ Included in Engine Gasket Set-Ref. No. 358.
● Included in Carburetor Overhaul Kit-Ref. No. 121.

Included in Valve Gasket Set-Ref. No. 1095.

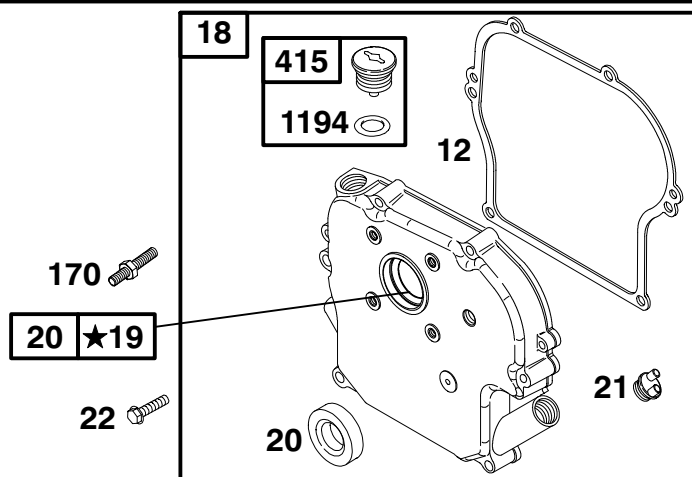


REF. NO.	PART NO.	DESCRIPTION	REF. NO.	PART NO.	DESCRIPTION	REF. NO.	PART NO.	DESCRIPTION
18	694377	Cover-Crankcase (Gear Reduction) (Used After Code Date 99031400). ----- Note ----- 493916 Cover-Crankcase (Gear Reduction) (Used Before Code Date 99031500).		493914 Cover-Crankcase (Auxillary PTO) (Used Before Code Date 99031500).				694319 Cover-Crankcase (Ball Bearing) (Used After Code Date 99031400).
		694375 Cover-Crankcase (Auxillary PTO) (Used After Code Date 99031400).		694350 Cover-Crankcase (Plain Bearing) (Used After Code Date 99031400).				495641 Cover-Crankcase (Ball Bearing) (Used Before Code Date 99031500)
				494044 Cover-Crankcase (Plain Bearing) (Used Before Code Date 99031500).				

★ Included in Engine Gasket Set-Ref. No. 358.
● Included in Carburetor Overhaul Kit-Ref. No. 121.

Included in Valve Gasket Set-Ref. No. 1095.

135200 to 135299



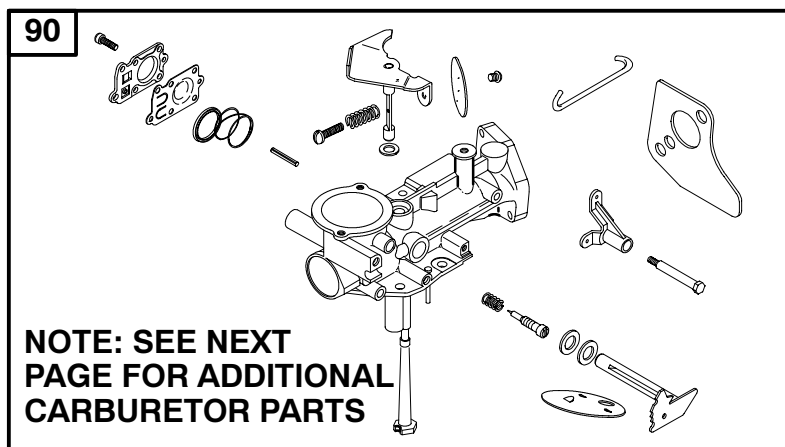
★ **REQUIRES SPECIAL TOOLS TO INSTALL. SEE REPAIR INSTRUCTION MANUAL.**

REF. NO.	PART NO.	DESCRIPTION	REF. NO.	PART NO.	DESCRIPTION	REF. NO.	PART NO.	DESCRIPTION
12	★270080	Gasket-Crankcase (Standard)		0284, 0285, 0289, 0293, 0295, 0304, 0306, 0309, 0310, 0315, 0316, 0320, 0324, 0603, 0611, 0615, 0616, 0620, 0625, 0670, 0671, 0704, 0706, 0727, 0728, 0757, 0758, 0759, 0780, 0784, 1003, 1004, 1005, 1011-01, 1016, 1020, 1025, 1070, 1071, 1105, 1119, 1127, 1128, 1142, 1153, 1154, 1157, 1158, 1159, 1169, 1171, 1180, 1194, 1231, 1232, 1238, 1245, 1258, 1259, 1260, 1261, 1263, 1271, 1276, 1281, 1284, 1289, 1299, 1304, 1310, 1315, 1320, 1324, 1329, 1336, 1337, 1338.	0209, 0214, 0216, 0232, 0236, 0254, 0260, 0265, 0269, 0295, 0309, 0310, 0320, 0324, 0611, 0670, 0671, 0728, 0757, 0758, 0780, 1011-E1, 1070, 1071, 1128, 1154, 1157, 1158, 1169, 1173, 1180, 1194, 1232, 1260, 1261, 1265, 1309, 1310, 1320, 1324, 1336, 1337, 1338, 1343.			
		----- Note -----						
	★270125	Gasket-Crankcase (.005)		0315, 0316, 0320, 0324, 0603, 0611, 0615, 0616, 0620, 0625, 0670, 0671, 0704, 0706, 0727, 0728, 0757, 0758, 0759, 0780, 0784, 1003, 1004, 1005, 1011-01, 1016, 1020, 1025, 1070, 1071, 1105, 1119, 1127, 1128, 1142, 1153, 1154, 1157, 1158, 1159, 1169, 1171, 1180, 1194, 1231, 1232, 1238, 1245, 1258, 1259, 1260, 1261, 1263, 1271, 1276, 1281, 1284, 1289, 1299, 1304, 1310, 1315, 1320, 1324, 1329, 1336, 1337, 1338.	0209, 0214, 0216, 0232, 0236, 0254, 0260, 0265, 0269, 0295, 0309, 0310, 0320, 0324, 0611, 0670, 0671, 0728, 0757, 0758, 0780, 1011-E1, 1070, 1071, 1128, 1154, 1157, 1158, 1169, 1173, 1180, 1194, 1232, 1260, 1261, 1265, 1309, 1310, 1320, 1324, 1336, 1337, 1338, 1343.			
	★270126	Gasket-Crankcase (.009)		0315, 0316, 0320, 0324, 0603, 0611, 0615, 0616, 0620, 0625, 0670, 0671, 0704, 0706, 0727, 0728, 0757, 0758, 0759, 0780, 0784, 1003, 1004, 1005, 1011-01, 1016, 1020, 1025, 1070, 1071, 1105, 1119, 1127, 1128, 1142, 1153, 1154, 1157, 1158, 1159, 1169, 1171, 1180, 1194, 1231, 1232, 1238, 1245, 1258, 1259, 1260, 1261, 1263, 1271, 1276, 1281, 1284, 1289, 1299, 1304, 1310, 1315, 1320, 1324, 1329, 1336, 1337, 1338.	0209, 0214, 0216, 0232, 0236, 0254, 0260, 0265, 0269, 0295, 0309, 0310, 0320, 0324, 0611, 0670, 0671, 0728, 0757, 0758, 0780, 1011-E1, 1070, 1071, 1128, 1154, 1157, 1158, 1169, 1173, 1180, 1194, 1232, 1260, 1261, 1265, 1309, 1310, 1320, 1324, 1336, 1337, 1338, 1343.			
18		Cover-Crankcase (See Previous Page)		1071, 1105, 1119, 1127, 1128, 1142, 1153, 1154, 1157, 1158, 1159, 1169, 1171, 1180, 1194, 1231, 1232, 1238, 1245, 1258, 1259, 1260, 1261, 1263, 1271, 1276, 1281, 1284, 1289, 1299, 1304, 1310, 1315, 1320, 1324, 1329, 1336, 1337, 1338.	495330 Seal-Oil (PTO Side, 1 5/8 O.D., Without Spring)			
19	495660	Kit-Bushing/Seal (PTO Side)		1071, 1105, 1119, 1127, 1128, 1142, 1153, 1154, 1157, 1158, 1159, 1169, 1171, 1180, 1194, 1231, 1232, 1238, 1245, 1258, 1259, 1260, 1261, 1263, 1271, 1276, 1281, 1284, 1289, 1299, 1304, 1310, 1315, 1320, 1324, 1329, 1336, 1337, 1338.	495330 Seal-Oil (PTO Side, 1 5/8 O.D., With Spring)			
20	★495307	Seal-Oil (PTO Side, 1 5/8 O.D. Without Spring)		1071, 1105, 1119, 1127, 1128, 1142, 1153, 1154, 1157, 1158, 1159, 1169, 1171, 1180, 1194, 1231, 1232, 1238, 1245, 1258, 1259, 1260, 1261, 1263, 1271, 1276, 1281, 1284, 1289, 1299, 1304, 1310, 1315, 1320, 1324, 1329, 1336, 1337, 1338.	Used on Type No(s). 0026, 0115, 0129, 0151, 0160, 0162, 0163, 0164, 0166, 0199, 0211, 0244, 0252, 0292, 0327, 0626, 0752, 1026, 1115, 1129, 1160, 1252, 1292, 1327.			
		----- Note -----						
	294606	Seal-Oil (PTO Side, 1 3/8 O.D., With Spring)		0001, 0003, 0004, 0005, 0015, 0016, 0020, 0025, 0105, 0114, 0117, 0118, 0119, 0127, 0132, 0136, 0142, 0145, 0150, 0153, 0156, 0157, 0159, 0171, 0175, 0178, 0182, 0183, 0185, 0193, 0194, 0195, 0209, 0210, 0214, 0222, 0237, 0238, 0245, 0253, 0254, 0258, 0260, 0262, 0263, 0265, 0269, 0271, 0274, 0276, 0281,	Used on Type No(s). 0011, 0070, 0071, 0108, 0120, 0121, 0124, 0141, 0154, 0157, 0158, 0169, 0173, 0174, 0180, 0182, 0194, 0198, 0202, 0203, 0204, 0205, 0206, 0207,			
		Used on Type No(s).				21	281658	Cap-Oil Fill
						22	94682	Screw (Crankcase Cover)
						170	691120	Stud (Crankcase Cover, Install In #1 and/or #2 Positions)
						415	691363	Plug (Crankcase Cover)
						1194	★271485	Seal-O Ring (Plug)

★ Included in Engine Gasket Set-Ref. No. 358.
 ● Included in Carburetor Overhaul Kit-Ref. No. 121.

Included in Valve Gasket Set-Ref. No. 1095.

147 

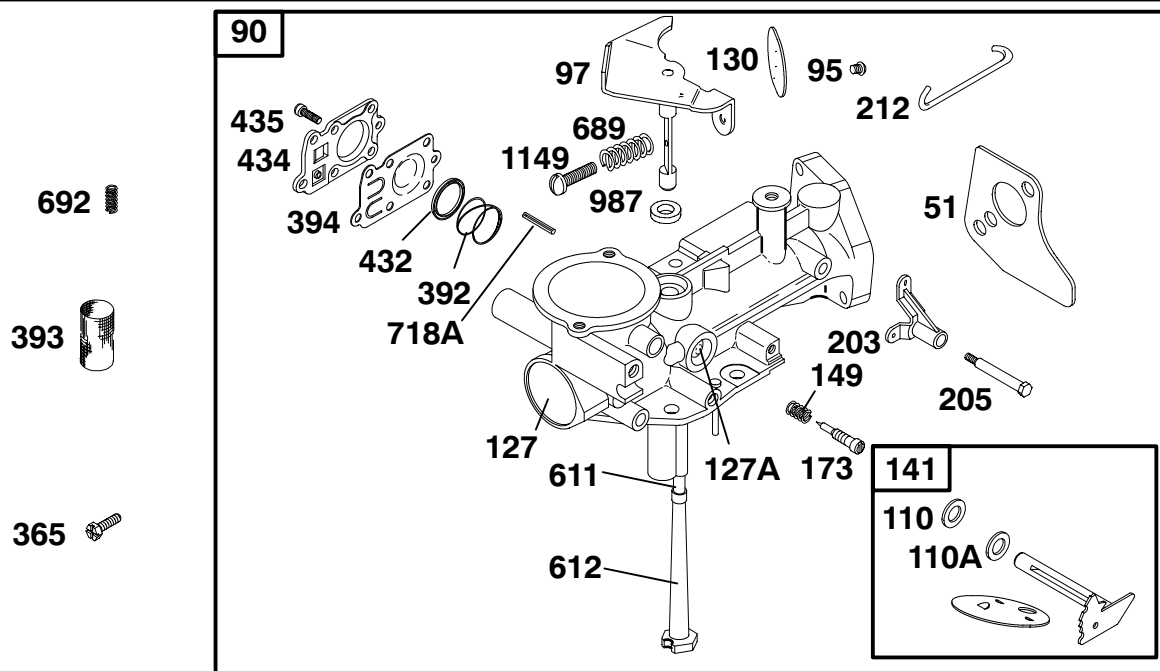


REF. NO.	PART NO.	DESCRIPTION	REF. NO.	PART NO.	DESCRIPTION	REF. NO.	PART NO.	DESCRIPTION		
90	495426	Carburetor ----- Note ----- 495951 Carburetor Used on Type No(s). 0185, 0263. 495425 Carburetor Used on Type No(s). 0214. 498298 Carburetor Used on Type No(s). 0309, 0603, 0607, 0611, 0615, 0616, 0620, 0623, 0625, 0626, 0635, 0636, 0638, 0649, 0660, 0670, 0671, 0679, 0700, 0702, 0704, 0717, 0706, 0727, 0728, 0729, 0730, 0740, 0747, 0752, 0757, 0758, 0759, 0762, 0767, 0772, 0779, 0780, 0784, 0788, 0790, 0814, 0815, 0913, 1003, 1004, 1005, 1007, 1008, 1009, 1011-E1, 1019, 1020, 1023, 1025, 1027, 1029, 1035, 1036, 1049, 1050, 1060, 1070, 1071, 1073, 1079, 1080, 1084, 1105, 1106, 1119, 1127, 1128, 1129, 1139, 1140, 1142, 1143, 1146, 1147, 1153, 1154, 1157, 1158,			1159, 1161, 1167, 1169, 1171, 1173, 1179, 1180, 1190, 1194, 1196, 1197, 1200, 1215, 1216, 1217, 1219, 1223, 1231, 1232, 1238, 1242, 1245, 1246, 1250, 1258, 1259, 1261, 1268, 1271, 1276, 1281, 1283, 1284, 1288, 1289, 1289, 1299, 1301, 1304, 1308, 1310, 1313, 1314, 1315, 1317, 1318, 1320, 1324, 1326, 1328, 1329, 1330, 1333, 1336, 1337, 1338, 1340, 1342, 1343, 1345.					0788, 0790, 0814, 0815, 0913, 1003, 1004, 1005, 1007, 1008, 1009, 1011-E1, 1019, 1020, 1023, 1025, 1027, 1029, 1035, 1036, 1049, 1050, 1060, 1070, 1071, 1073, 1079, 1080, 1084, 1105, 1106, 1119, 1127, 1128, 1129, 1139, 1140, 1142, 1143, 1146, 1147, 1153, 1154, 1157, 1158, 1169, 1171, 1173, 1179, 1180, 1190, 1194, 1196, 1197, 1200, 1215, 1216, 1217, 1219, 1223, 1231, 1232, 1238, 1242, 1245, 1246, 1250, 1258, 1259, 1261, 1268, 1271, 1276, 1281, 1283, 1284, 1288, 1289, 1289, 1299, 1301, 1304, 1308, 1313, 1314, 1315, 1317, 1318, 1320, 1324, 1326, 1328, 1329, 1330, 1333, 1336, 1337, 1338, 1340, 1342, 1343. 692725 Jet-Pilot (High Altitude)
			147	691250	Jet-Pilot (Standard) Used on Type No(s). 0309, 0603, 0607, 0611, 0615, 0616, 0620, 0623, 0625, 0626, 0635, 0636, 0638, 0649, 0660, 0670, 0671, 0679, 0700, 0702, 0704, 0717, 0706, 0727, 0728, 0729, 0730, 0740, 0747, 0752, 0757, 0758, 0759, 0762, 0767, 0772, 0779, 0780, 0784,					

★ Included in Engine Gasket Set-Ref. No. 358.
● Included in Carburetor Overhaul Kit-Ref. No. 121.

Included in Valve Gasket Set-Ref. No. 1095.

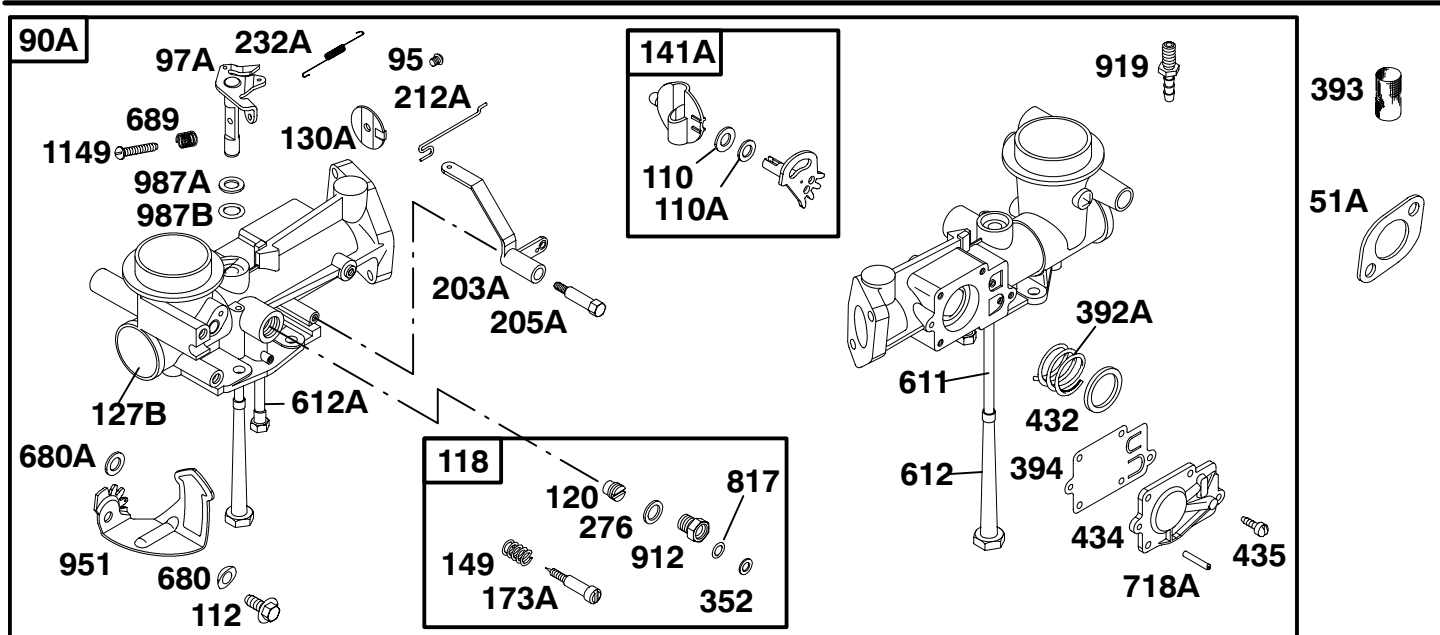
135200 to 135299



REF. NO.	PART NO.	DESCRIPTION	REF. NO.	PART NO.	DESCRIPTION	REF. NO.	PART NO.	DESCRIPTION
51★	273113	Gasket-Intake	149	●26336	Spring-Needle Valve	612	391813	Tube-Pick Up (Uses Clip Spring)
90		Carburetor (See Previous Page)	173	●231533	Valve-Idle Mixture (Idle)			----- Note ----- 297219 Tube-Pick Up (Uses Spiral Pin 3/8" Long)
95	93499	Screw (Throttle Valve)	203	280720	Crank-Bell (Standard, Nylon)			Used on Type No(s). 0214.
97	497600	Shaft-Throttle	205	231520	Screw (Bell Crank, 29/32" Long)	689	260575	Spring-Friction (Idle Screw)
110	270382	Washer (Choke Shaft, Felt)	212	262270	Link-Throttle	692	690572	Spring-Detent (Used On Part 498298 Carburetor)
110A	690401	Washer (Choke Shaft, Brass)	365	94913	Screw (Carburetor)	718A	690296	Pin-Locating (Pump Cover)
127	220352	Plug-Welch (1 3/64 Diameter)	392	262328	Spring-Pump Diaphragm	987	695273	Seal-Throttle Shaft (Foam)
127A	223789	Plug-Welch (7/16 Diameter)	393	691213	Screen-Carburetor	1149	93527	Screw (Throttle Shaft Idle Speed Adjusting Only)
130	223793	Valve-Throttle (11/16 Diameter)	394	272538	Diaphragm-Carburetor			
141	497230	Kit-Choke Shaft (Used After Code Date 94083100). ----- Note ----- 491177 Kit-Choke Shaft (Used Before Code Date 94090100).	432	221377	Cap-Spring			
			434	213963	Cover-Diaphragm			
			435	93141	Screw (Diaphragm Cover)			
			611	231068	Pipe-Fuel			

★ Included in Engine Gasket Set-Ref. No. 358.
● Included in Carburetor Overhaul Kit-Ref. No. 121.

Included in Valve Gasket Set-Ref. No. 1095.

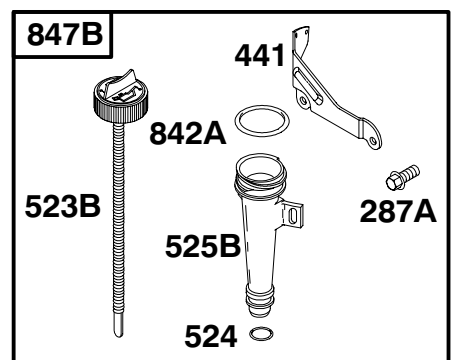
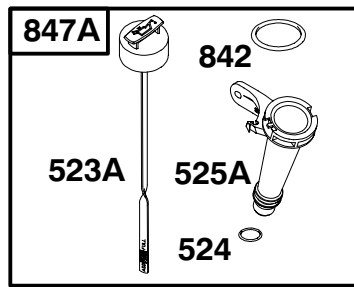
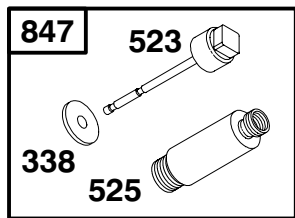
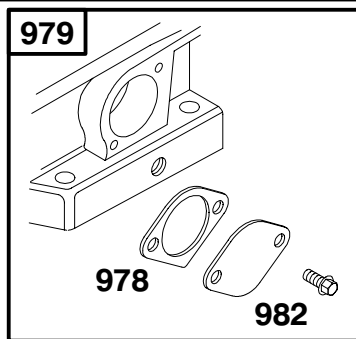
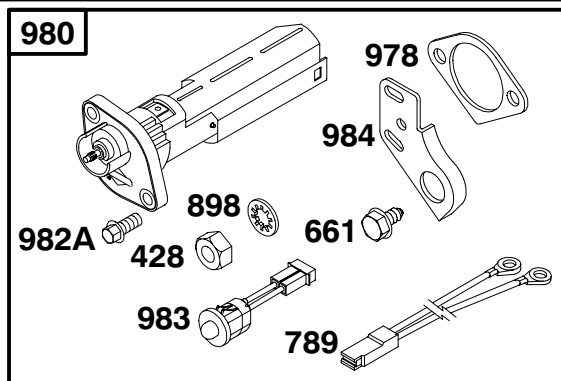


REF. NO.	PART NO.	DESCRIPTION	REF. NO.	PART NO.	DESCRIPTION	REF. NO.	PART NO.	DESCRIPTION
51A	★27355	Gasket-Intake Used on Type No(s). 0299, 1101-01, 1012, 1309.	149	●26336	Spring-Needle Valve	612	391813	Tube-Pick Up (Uses Clip Spring)
90A	397135	Carburetor Used on Type No(s). 1011-01, 1012. ----- Note ----- 299437 Carburetor Used on Type No(s). 0299. 692784 Carburetor Used on Type No(s). 1309.	173A	●690266	Valve-Idle Mixture (Main)	612A	497413	Tube-Pick Up (Uses Spiral Pin, 1/4 Long)
95	93499	Screw (Throttle Valve)	203A	393919	Crank-Bell (Steel, Long)	680	691089	Washer (Choke Lever, Spring)
97A	299212	Shaft-Throttle Used on Type No(s). 0299, 1101-01, 1012, 1309.	205A	93838	Screw (Bell Crank, 1 3/64" Long)	680A	66432	Washer (Choke Lever, Flat)
110	270382	Washer (Choke Shaft, Felt)	212A	260678	Link-Throttle Used on Type No(s). 0299, 1101-01, 1012, 1309.	689	260575	Spring-Friction (6 Coil, Closed Ends, Idle Screw)
110A	690401	Washer (Choke Shaft, Brass)	232A	260694	Spring-Governor Link Used on Type No(s). 0299, 1101-01, 1012, 1309.	718A	690296	Pin-Locating (Pump Cover)
112	691091	Screw (Choke Lever)	276	●66594	Washer-Sealing	817	●65978	Seal-O Ring (High Speed Valve)
118	●299060	Valve-High Speed	352	●690257	Washer (High Speed Valve)	912	●690504	Nut-Needle Valve
120	●692134	Seat-Needle Valve	392A	260455	Spring-Pump Diaphragm Used on Type No(s). 0299, 1101-01, 1012, 1309.	919	692783	Connector-Vacuum Tube
127B	22831	Plug-Welch (7/8 Diameter)	393	691213	Screen-Carburetor	951	691180	Lever-Choke (Carburetor)
130A	211203	Valve-Throttle (23/32 Diameter)	394	●272538	Diaphragm-Carburetor (Pump)	987A	271853	Seal-Throttle Shaft (Felt, 5/8 Thick) ----- Note ----- 270167 Seal-Throttle Shaft (Felt, 1/16 Thick) Used on Type No(s). 0299.
141A	397134	Kit-Choke Shaft	432	221377	Cap-Spring	987B	398970	Seal-Throttle Shaft (Lip Seal, 5/64 Thick)
			434	213963	Cover-Diaphragm	1149	93527	Screw (Throttle Shaft, Idle Speed Adjusting Only)
			435	93141	Screw (Diaphragm Cover)			
			611	231068	Pipe-Fuel			

★ Included in Engine Gasket Set-Ref. No. 358.
● Included in Carburetor Overhaul Kit-Ref. No. 121.

Included in Valve Gasket Set-Ref. No. 1095.

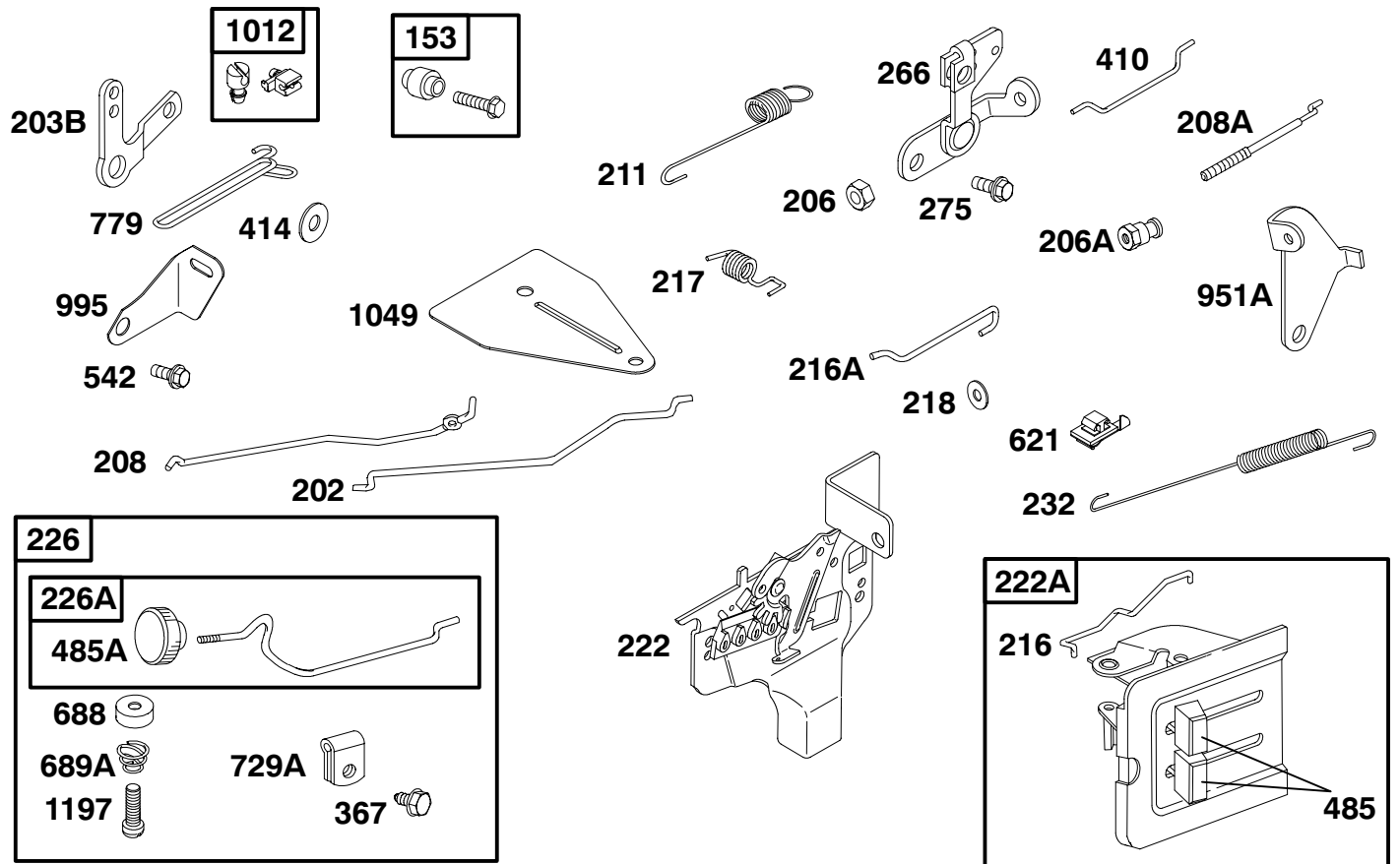
135200 to 135299



REF. NO.	PART NO.	DESCRIPTION	REF. NO.	PART NO.	DESCRIPTION	REF. NO.	PART NO.	DESCRIPTION
287	94807	Screw (Dipstick Tube, 39/64" Long)	525A	694379	Tube-Dipstick (31/32 ID Top) (Used After Code Date 99031400).	847A	694381	Dipstick/Tube Assembly (Without Bracket) (Used After Code Date 99031400).
287A	94929	Screw (Dipstick Tube, 23/64" Long)	525B	694531	Tube-Dipstick (1 1/64 ID Top) (Used Before Code Date 99031500).	847B	691379	Dipstick/Tube Assembly (With Bracket) (Used Before Code Date 99031500).
338	690270	Gasket-Dipstick	661	94896	Screw (OIL GARD®Light Bracket)	898	691077	Washer (OIL GARD®Kit)
428	90576	Nut (OIL GARD®Kit)	729	690588	Clip-Wire (Snap In, Nylon)	978	★273326	Gasket-OIL GARD®
441	690448	Bracket-Oil Fill	789	398661	Harness-Wiring	979	691382	Cover-OIL GARD®
523	297357	Dipstick (4 13/16 Round Bar) ----- Note ----- 690777 Dipstick (8 11/16 Spring) Used on Type No(s). 0255, 0273, 0294, 0307, 0308, 1008, 1308.	842	★280393	Seal-O Ring (Tube & Dipstick/Cap Combo Only, .862 ID) (Used After Code Date 99031400).	980	398182	Kit-OIL GARD®
523A	495264	Dipstick (8 7/16 Flat Wire) (Used After Code Date 99031400).	842A	★270920	Seal-O Ring (Tube & Dipstick/Cap Combo Only, 1.174 ID) (Used Before Code Date 99031500).	982	690351	Screw (OIL GARD® Cover, 31/64 Long)
523B	691388	Dipstick (7 11/16 Spring) (Used Before Code Date 99031500).	847	493955	Dipstick/Tube Assembly (Uses 691257 Dipstick Tube)	982A	690350	Screw (OIL GARD®Kit, 5/8 Long)
524	★271485	Seal-Dipstick Tube				983	398660	Light-Indicator
525	691257	Tube-Dipstick (Oil Filler Pipe Adapter, 3 1/8 Long)				984	692340	Bracket-OIL GARD®Light

★ Included in Engine Gasket Set-Ref. No. 358.
● Included in Carburetor Overhaul Kit-Ref. No. 121.

Included in Valve Gasket Set-Ref. No. 1095.



REF. NO.	PART NO.	DESCRIPTION	REF. NO.	PART NO.	DESCRIPTION	REF. NO.	PART NO.	DESCRIPTION
153	490589	Kit-Collar/Screw	216A	691271	Link-Choke (Choke A Matic)	410	691274	Link-Control
202	262280	Link-Mechanical Governor ----- Note ----- 261558 Link-Mechanical Governor Used on Type No(s). 0299, 1011-01, 1012.	217	262281	Spring-Choke Return	414	220982	Washer (Bell Crank)
203B	223813	Crank-Bell (Steel)	218	221198	Washer (Choke Link)	485	280715	Knob-Control (Slide)
206	690325	Nut-Governor Adjusting (Governor Idle)	222	690816	Bracket-Control (Gear and Rack) Used on Type No(s). 0214.	485A	391908	Knob-Control (Round)
206A	231266	Nut-Governor Adjusting (Fixed Speed)	222A	490649	Bracket-Control (Panel)	542	94897	Screw (Link Bracket)
208	262279	Rod-Governor Control (Non Threaded)	226	394562	Rod-Hand Choke (Kit)	621	396847	Switch-Stop
208A	262321	Rod-Governor Control (Threaded, Governor Idle Speed)	226A	399109	Rod-Hand Choke (Rod Assembly)	688	690395	Cap-Friction
211	263031	Spring-Governed Idle	232	262310	Spring-Governor Link	689A	690529	Spring-Friction (Conical Spring, Hand Choke Control)
216	262359	Link-Choke (Manual)	266	691414	Control-Throttle (Remote/Governor Idle)	729A	93784	Clip-Wire (Clamp, Steel)
			275	691683	Screw (Throttle Control, 23/64" Long)	779	262570	Link-Bell Crank
			367	94025	Screw (Wire Clip, 15/64" Long)	951A	690436	Lever-Choke (Choke A Matic)
						995	225057	Bracket-Link
						1012	490507	Retainer-Link
						1049	690470	Support-Control
						1197	92484	Screw (Hand Choke Rod)

★ Included in Engine Gasket Set-Ref. No. 358.
● Included in Carburetor Overhaul Kit-Ref. No. 121.

Included in Valve Gasket Set-Ref. No. 1095.

135200 to 135299

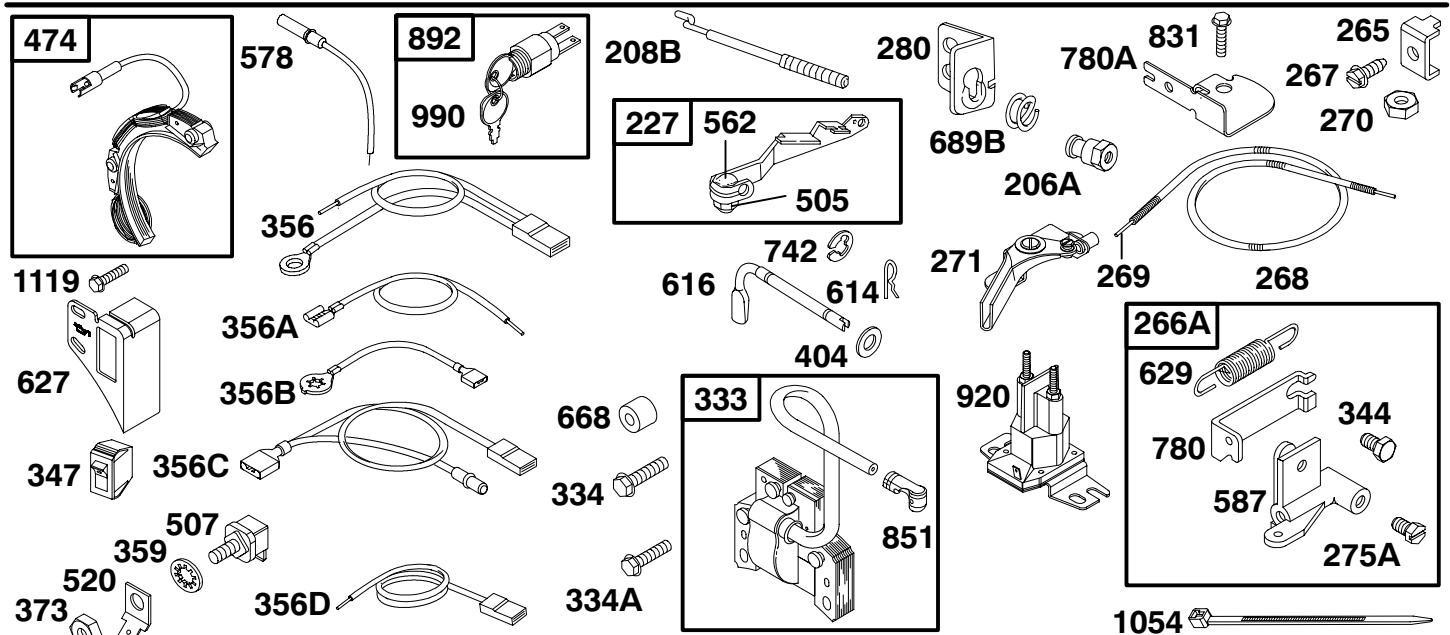


REF. NO.	PART NO.	DESCRIPTION	REF. NO.	PART NO.	DESCRIPTION	REF. NO.	PART NO.	DESCRIPTION	
209	262282	Spring-Governor (Rich Red) ----- Note ----- 262283 Spring-Governor (Black) Used on Type No(s). 0004, 0016, 0020, 0027, 0029, 0119, 0124, 0127, 0141, 0142, 0143, 0176, 0177, 0185, 0189, 0195, 0203, 0209, 0217, 0232, 0240, 0242, 0254, 0260, 0262, 0263, 0265, 0268, 0276, 0281, 0309, 0315, 0324, 1003, 1035, 1080, 1084, 1155, 1171, 1246, 1283, 1326, 1328, 1333. 690549 Spring-Governor (Blue) Used on Type No(s). 0018, 0215, 0225, 0248, 0603, 0607, 0611, 0615, 0623, 0625, 0635, 0636, 0649, 0660, 0670, 0671, 0679, 0700, 0702, 0704, 0717, 0730, 0740, 0747, 0759, 0762, 0767, 0779, 0780, 0784,			0788, 0790, 0814, 0815, 0913, 1005, 1007, 1008, 1009, 1011, 1019, 1023, 1025, 1036, 1049, 1050, 1060, 1070, 1071, 1073, 1079, 1105, 1106, 1139, 1140, 1143, 1146, 1147, 1153, 1154, 1157, 1158, 1159, 1161, 1167, 1169, 1173, 1179, 1180, 1186, 1190, 1194, 1196, 1197, 1200, 1216, 1219, 1223, 1231, 1238, 1245, 1250, 1258, 1259, 1271, 1284, 1288, 1289, 1296, 1299, 1301, 1304, 1308, 1310, 1313, 1314, 1317, 1318, 1320, 1329, 1330. 262285 Spring-Governor (Green) Used on Type No(s). 0026, 0038, 0082, 0115, 0129, 0151, 0160, 0162, 0164, 0166, 0199, 0211, 0241, 0244, 0252, 0311, 0327, 0626, 0638, 0729, 0752, 0791, 1026, 1038,				1115, 1129, 1160, 1252, 1291, 1327, 1340. 690550 Spring-Governor (Yellow) Used on Type No(s). 0059, 0072, 0075, 0083, 0093, 0126, 0163, 0228, 0251, 0292, 0297, 0312, 1072, 1093, 1292, 1312, 1342. 262948 Spring-Governor (Silver) Used on Type No(s). 0616, 0620, 0706, 0727, 0728, 1004, 1016, 1020, 1027, 1029, 1119, 1127, 1128, 1142, 1217, 1232, 1242, 1260, 1261, 1263, 1265, 1268, 1276, 1281, 1309, 1315, 1324, 1343, 1345. 263015 Spring-Governor (Bright Orange) Used on Type No(s). 1215. 209A 260695 Spring-Governor (Green) Used on Type No(s). 0299, 1011-01, 1012.

★ Included in Engine Gasket Set-Ref. No. 358.
● Included in Carburetor Overhaul Kit-Ref. No. 121.

Included in Valve Gasket Set-Ref. No. 1095.

135200 to 135299

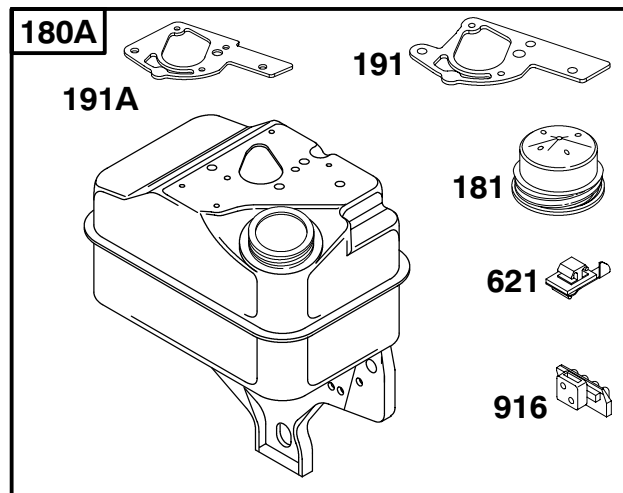
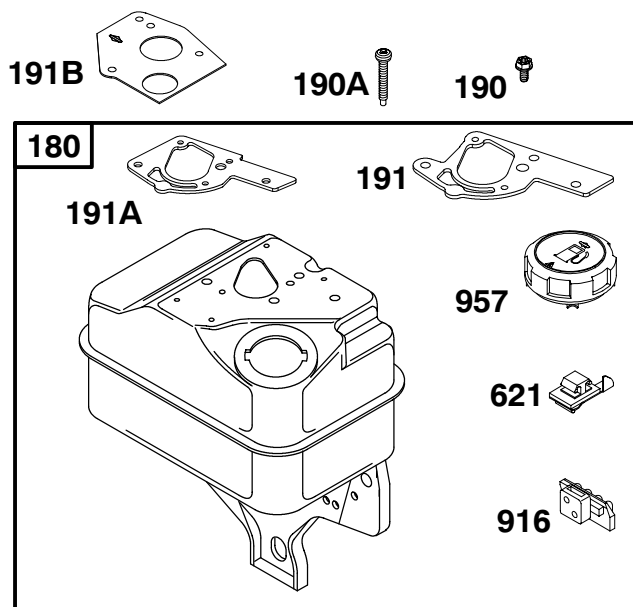


REF. NO.	PART NO.	DESCRIPTION	REF. NO.	PART NO.	DESCRIPTION	REF. NO.	PART NO.	DESCRIPTION
206A	231266	Nut (Governor Control Rod, Fixed Speed)	334A	93414	Screw (Magneto Armature, 55/64" Long)	404	94927	Washer (Governor Crank)
208B	262323	Rod-Governor Control (Fixed Speed)	344	94414	Screw (Cable Clamp)	474	494254	Alternator
227	690653	Lever-Governor Control	347	493521	Switch-Rocker	505	691251	Nut (Governor Control Lever)
----- Note -----			356	398808	Wire-Stop (2 Wire, 1 Insulated Male Blade & 1 Ring Terminal, Bare Wire End)	507	398525	Insulator
		692357 Lever-Governor Control Used on Type No(s). 0299, 1011-01, 1012.	356A	690650	Wire-Stop (1 Wire Female Blade Terminal, Bare Wire End)	520	691084	Terminal-Ground
265	221535	Clamp-Casing	356B	690817	Wire-Stop (1 Wire, 1 Female Blade & Lockwasher Ring Terminal)	562	691119	Bolt (Governor Control Lever)
266A	492342	Control-Throttle (Kit with Spring)	356C	690818	Wire-Stop (2 Wire, Insulated Female Blade, Insulated Male Blade & Mate N Lok Socket Terminals)	578	393422	Wire Assembly
267	94906	Screw (Casing Clamp)	356D	692390	Wire-Stop (1 Wire Insulated Male Blade Terminal, Bare Wire End)	587	213474	Clamp-Cable
268	691072	Casing-Control Wire (Cut To Required Length)	359	691077	Washer (Ground Terminal)	614	93306	Pin-Cotter
269	26099	Wire-Control (Cut To Required Length)	373	90576	Nut (Ground Terminal)	616	495243	Crank-Governor
270	63426	Nut (Control Wire Casing)				627	690474	Bracket-Stopswitch
271	290568	Lever-Control				629	261137	Spring-Throttle Return
275A	94415	Screw (Throttle Control, 15/64" Long)				668	690531	Spacer
280	691184	Bracket-Rod				689B	26855	Spring-Friction (4 Coil, Closed Ends)
333	397358	Armature-Magneto				742	93307	Retainer-E Ring
334	690306	Screw (Magneto Armature, 1 7/32 Long)				780	224085	Anchor-Spring (Throttle Control)
						780A	691211	Anchor-Spring (Governor Idle)
						831	94897	Screw (Spring Anchor)
						851	493880	Terminal-Sparkplug
						892	690646	Switch-Key
						920	807829	Solenoid-Starter
						990	392832	Key Set
						1054	280275	Tie-Cable
						1119	93621	Screw (Alternator)

★ Included in Engine Gasket Set-Ref. No. 358.
● Included in Carburetor Overhaul Kit-Ref. No. 121.

Included in Valve Gasket Set-Ref. No. 1095.

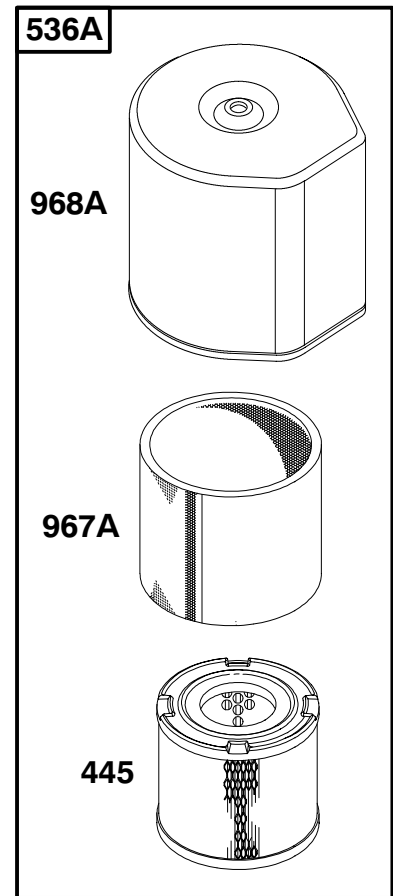
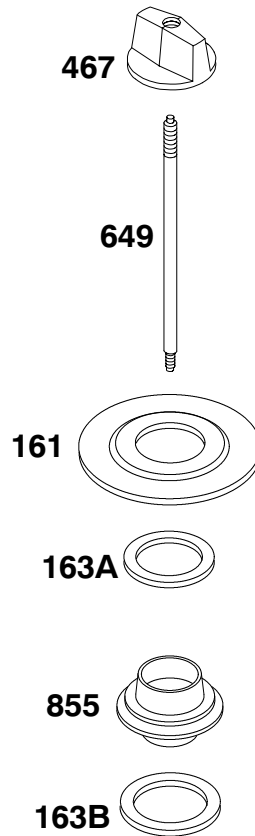
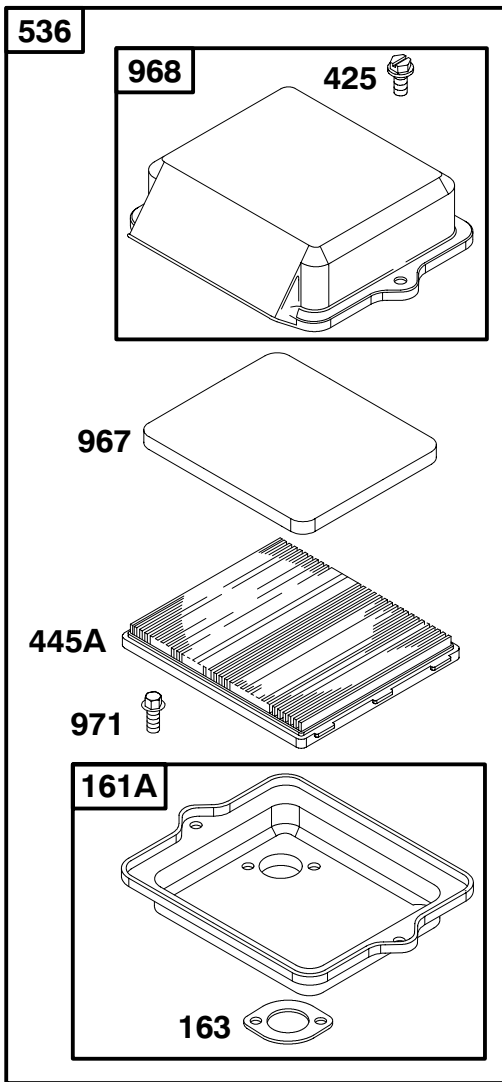
135200 to 135299



REF. NO.	PART NO.	DESCRIPTION	REF. NO.	PART NO.	DESCRIPTION	REF. NO.	PART NO.	DESCRIPTION
180	495405	Tank-Fuel (Metal Tank, Uses Plastic Locking Cap) ----- Note ----- 495370 Tank-Fuel (Metal Tank, Uses Plastic Locking Cap) Used on Type No(s). 0214.	181	394818	Cap-Fuel Tank (Metal Threaded and Vented) ----- Note ----- 498156 Cap-Fuel Tank (Metal Threaded and Non Vented) Used on Type No(s). 0293.	191	★●272489	Gasket-Fuel Tank
180A	494600	Tank-Fuel (Metal Tank, Uses Vented Metal Screw Cap) Used on Type No(s). 0299, 1011-01, 1012. ----- Note ----- 498691 Tank-Fuel (Metal Tank, Uses Non Vented Metal Screw Cap) Used on Type No(s). 0293.	190	94924	Screw (Fuel Tank, 47/64" Long)	191A	★●272996	Gasket-Fuel Tank
			190A	94919	Screw (Fuel Tank, 1 19/32" Long)	191B	★●272409	Gasket-Fuel Tank Used on Type No(s). 0299, 1011-01, 1012.
			190B	94914	Screw (Fuel Tank, 39/64" Long)	621	396847	Switch-Stop
						916	280321	Rack-Governor Gear (Black) ----- Note ----- 690583 Rack-Governor Gear (Natural) Used on Type No(s). 0016, 0019, 0071, 0147, 0148, 0185, 0195, 0200, 0213, 0214, 0216, 0232, 0260, 0263, 0306, 0310, 1016, 1071, 1147, 1200, 1232, 1260, 1263, 1310.
						957	494559	Cap-Fuel Tank (Plastic Locking) Used on Type No(s). 0299, 1011-01, 1012.

★ Included in Engine Gasket Set-Ref. No. 358.
● Included in Carburetor Overhaul Kit-Ref. No. 121.

Included in Valve Gasket Set-Ref. No. 1095.

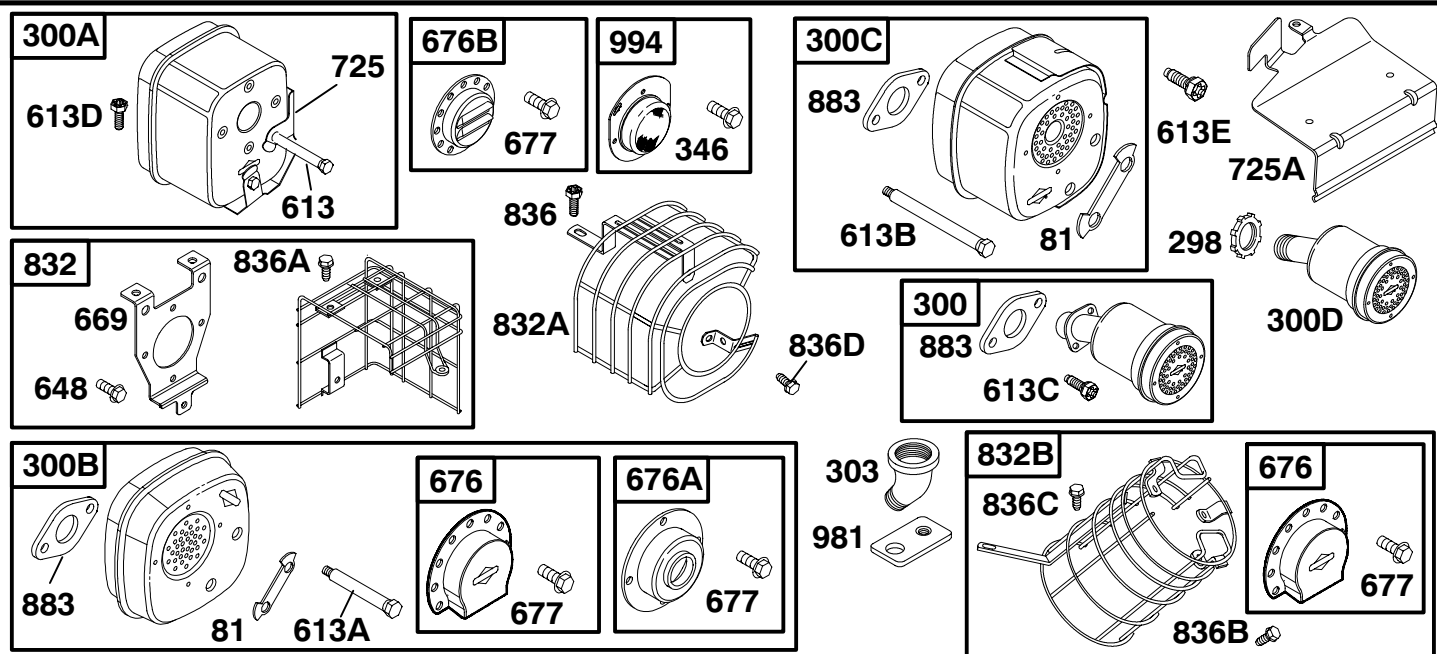


REF. NO.	PART NO.	DESCRIPTION	REF. NO.	PART NO.	DESCRIPTION	REF. NO.	PART NO.	DESCRIPTION
161	222844	Base-Air Cleaner (Round)	445A	491588	Filter-Air Cleaner Cartridge (Rectangular)	855	690599	Adapter-Air Cleaner
161A	492797	Base-Air Cleaner (Rectangular)	467	493903	Knob-Air Cleaner	967	491435	Filter-Pre Cleaner (Rectangular)
163	271935	Air Cleaner Gasket (Standard, Oval)	536	494279	Cleaner-Air (Rectangular)	967A	271466	Filter-Pre Cleaner (Round)
163A	271139	Air Cleaner Gasket (1 5/8" O.D. Round)	536A	396397	Cleaner-Air (Canister)	968	495872	Cover-Air Cleaner (Rectangular)
163B	690580	Air Cleaner Gasket (1 15/16" O.D. Round)	649	231332	Stud (Air Cleaner Cover, 1/4 Diameter)	968A	493822	Cover-Air Cleaner (Canister)
425	490073	Screw (Air Cleaner Cover)			----- Note -----	971	690370	Screw (Air Cleaner Base)
445	396424	Filter-Air Cleaner Cartridge (Canister)			691248 Stud (Air Cleaner Cover, 1/2 Diameter) Used on Type No(s). 0185, 0263, 1263.			

★ Included in Engine Gasket Set-Ref. No. 358.
 ● Included in Carburetor Overhaul Kit-Ref. No. 121.

Included in Valve Gasket Set-Ref. No. 1095.

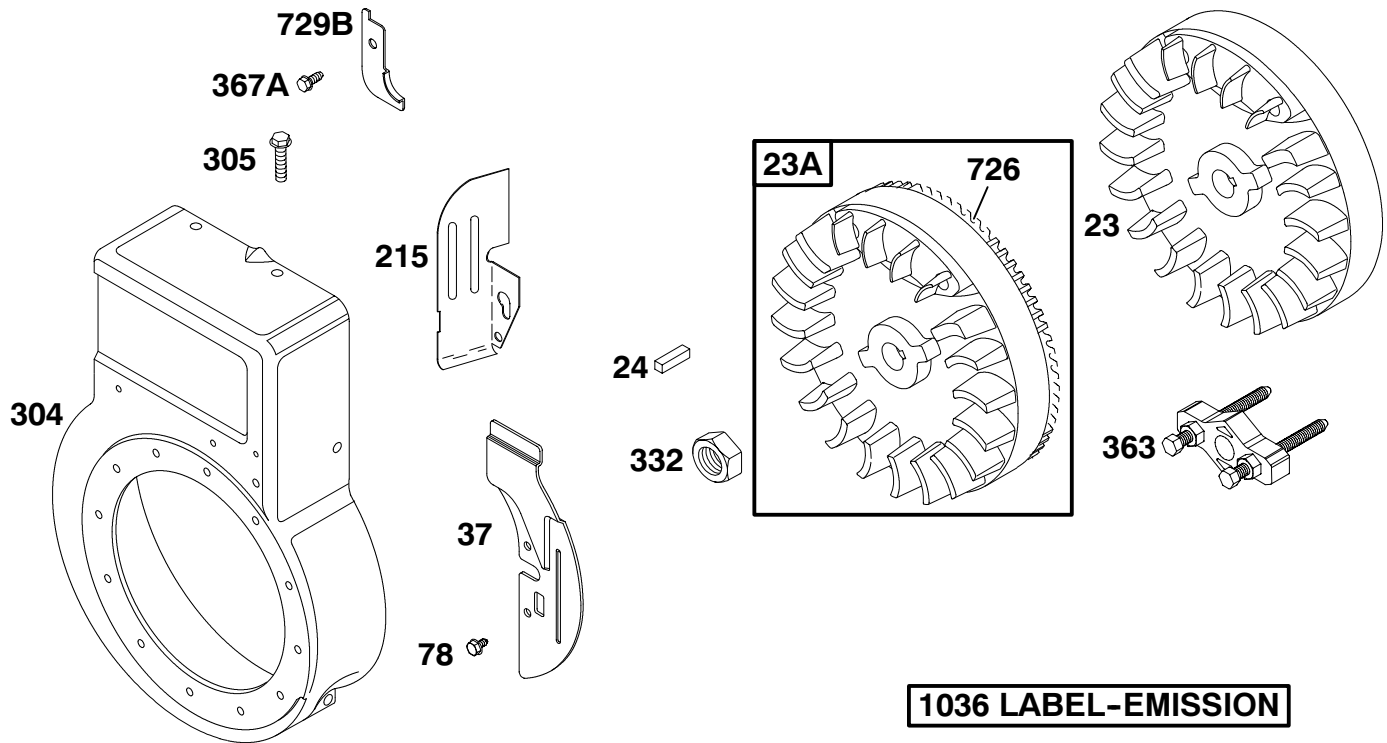
135200 to 135299



REF. NO.	PART NO.	DESCRIPTION	REF. NO.	PART NO.	DESCRIPTION	REF. NO.	PART NO.	DESCRIPTION
81	222263	Lock-Muffler Screw			0138, 0165, 0227, 0274.	676A	395700	Deflector-Muffler (Direct Out)
298	261409	Locknut-Muffler/Elbow	303	94089	Elbow-Exhaust	676B	393758	Deflector-Muffler (Louvered)
300	496892	Muffler (Round Lo Tone)	346	94896	Screw (Spark Arrestor)	677	94896	Screw (Muffler Deflector)
300A	396001	Muffler (Super Lo Tone)	613	94054	Screw (Muffler, 4 5/64" Long)	725	690466	Shield-Heat (Muffler)
300B	494585	Muffler (Standard)	613A	93935	Screw (Muffler, 2 5/16" Long)	725A	690440	Shield-Heat (Fuel Tank)
		----- Note -----	613B	94042	Screw (Muffler, 3 29/64" Long)	832	490534	Guard-Muffler (Super Lo Tone)
		392253 Muffler (Standard, Heat Shield Supplied By Equipment Manufacturer) Used on Type No(s). 0185.	613C	94706	Screw (Muffler, .648" Long)	832A	690625	Guard-Muffler (Lo Tone)
300C	390918	Muffler (Lo Tone)	613D	94905	Screw (Muffler, 5/8" Long)	832B	498257	Guard-Muffler (Round Lo Tone)
		----- Note -----	613E	695669	Screw (Muffler, 33/64" Long) Used on Type No(s). 1127.	836	94905	Screw (Muffler Guard, 39/64" Long)
		391313 Muffler (Lo Tone) Used on Type No(s). 0072, 0075, 0142, 0143, 0193, 0195, 0198, 0208, 0244, 0315, 0316, 1072, 1075, 1127, 1142, 1143, 1315.	648	94680	Screw (Muffler Guard Bracket)	836A	94897	Screw (Muffler Guard, 23/64" Long)
300D	393368	Muffler (Round Lo Tone)	669	690425	Bracket-Muffler Guard	836B	690367	Screw (Muffler Guard, 9/16" Long)
		----- Note -----	676	393757	Deflector-Muffler (Side Out, Deep)	836C	95012	Screw (Muffler Guard, 47/64" Long)
		393010 Muffler (Round Lo Tone) Used on Type No(s).			----- Note -----	836D	94896	Screw (Muffler Guard, 1/2" Long)
					494423 Deflector-Muffler (Side Out, Shallow) Used on Type No(s). 0029, 0167, 0190, 0225, 0248, 0276, 0767, 1029, 1276, 1167, 1190.	883	*272309	Gasket-Exhaust
						981	690408	Brace-Muffler
						994	399541	Arrestor-Spark

★ Included in Engine Gasket Set-Ref. No. 358.
● Included in Carburetor Overhaul Kit-Ref. No. 121.

Included in Valve Gasket Set-Ref. No. 1095.



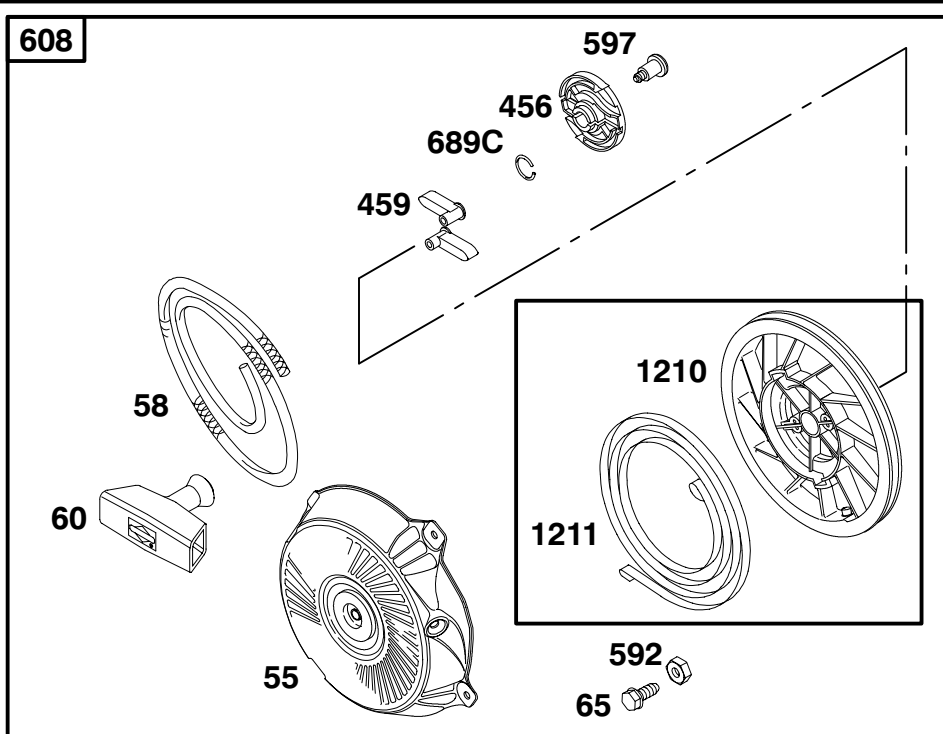
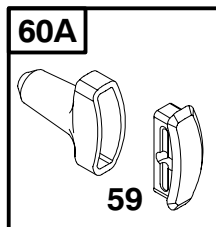
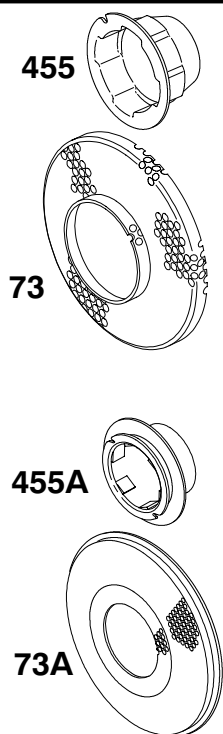
1036 LABEL-EMISSION

REF. NO.	PART NO.	DESCRIPTION	REF. NO.	PART NO.	DESCRIPTION	REF. NO.	PART NO.	DESCRIPTION
23	399673	Flywheel (Rewind Start)	304	495759	Housing-Blower (Rewind Start)	729B	690471	Clip-Wire (Steel)
23A	690820	Flywheel (Rewind or Electric Start)			----- Note -----	1036	695100	Label-Emission (Used After Code Date 99093000).
24	222698	Key-Flywheel			495760 Housing-Blower (Electric Start)			----- Note -----
37	222443	Guard-Flywheel			Used on Type No(s). 0011, 0013, 0022, 0025, 0121, 0138, 0157, 0205, 0225, 0236, 0248, 0264, 0299, 0611, 0625, 0757, 0762, 1337.			694517 Label-Emission (Used Before Code Date 99100100 and After Code Date 98123100).
78	94680	Screw (Flywheel Guard)						499345 Label-Emission (Used Before Code Date 99010100 and After Code Date 97052500).
215	223886	Guide-Air (Rewind Start)	305	94786	Screw (Blower Housing)			499344 Label-Emission (Used Before Code Date 97052600).
		----- Note -----	332	94877	Nut (Flywheel)			
		690472 Guide-Air (Electric Start)	363	19069	Flywheel Puller			
			367A	94680	Screw (Wire Clip, 25/64" Long)			
			726	495765	Gear-Ring (Includes Mounting Hardware)			

★ Included in Engine Gasket Set-Ref. No. 358.
 ● Included in Carburetor Overhaul Kit-Ref. No. 121.

Included in Valve Gasket Set-Ref. No. 1095.

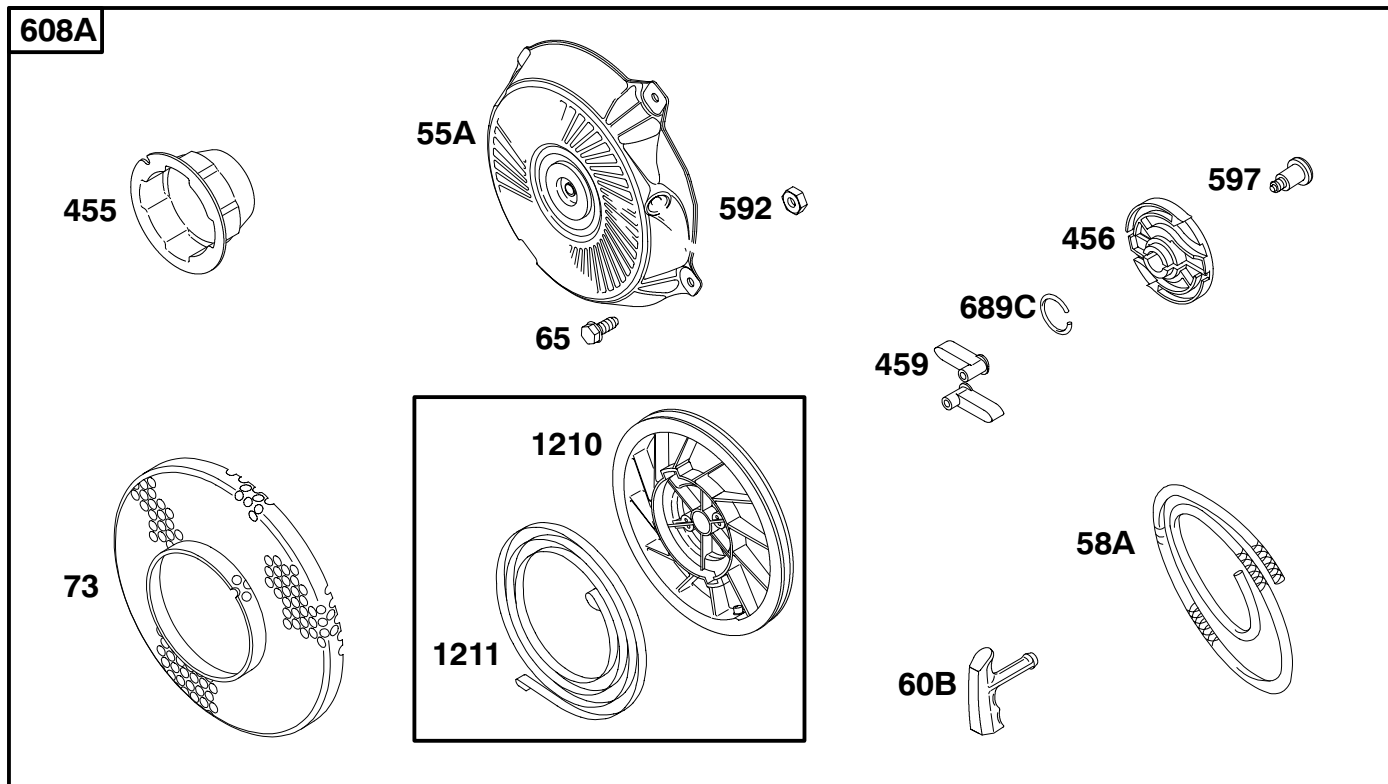
135200 to 135299



REF. NO.	PART NO.	DESCRIPTION	REF. NO.	PART NO.	DESCRIPTION	REF. NO.	PART NO.	DESCRIPTION
55	691422	Housing-Rewind Starter	73A	691226	Screen-Rotating (Use Tapered Cup With Ring) (Used After Code Date 95010800). ----- Note ----- 224974 Screen-Rotating (Use Straight Side Cup With Ring) (Used Before Code Date 95010900).	455A	691426	Cup-Flywheel (Use Tapered Side With Rotating Screen Ring) (Used After Code Date 95010800). ----- Note ----- 494770 Cup-Flywheel (Straight Side With Rotating Screen Ring) (Used Before Code Date 95010900).
58	693449	Rope-Starter (Cut To Required Length)	455	691219	Cup-Flywheel (Tapered Cup) (Used After Code Date 95020200). ----- Note ----- 224250 Cup-Flywheel (Straight Side Cup) (Used Before Code Date 95020300).	456	281503	Plate-Pawl Friction
59	396892	Insert-Grip				459	281505	Pawl-Ratchet
60	281101	Grip-Starter Rope (1 Piece)				592	94908	Nut (Rewind Starter)
60A	393152	Grip-Starter Rope (2 Piece)				597	94943	Screw (Pawl Friction Plate)
65	94904	Screw (Rewind Starter)				608	497830	Starter-Rewind
73	691225	Screen-Rotating (Use Tapered Side Cup Without Ring) (Used After Code Date 95020200). ----- Note ----- 224883 Screen-Rotating (Use Straight Side Cup Without Ring) (Used Before Code Date 95020300).				689C	263073	Spring-Friction (Ratchet Pawl)
						1210	498144	Pulley/Spring Assembly (Pulley)
						1211	498144	Pulley/Spring Assembly (Spring)

★ Included in Engine Gasket Set-Ref. No. 358.
● Included in Carburetor Overhaul Kit-Ref. No. 121.

Included in Valve Gasket Set-Ref. No. 1095.

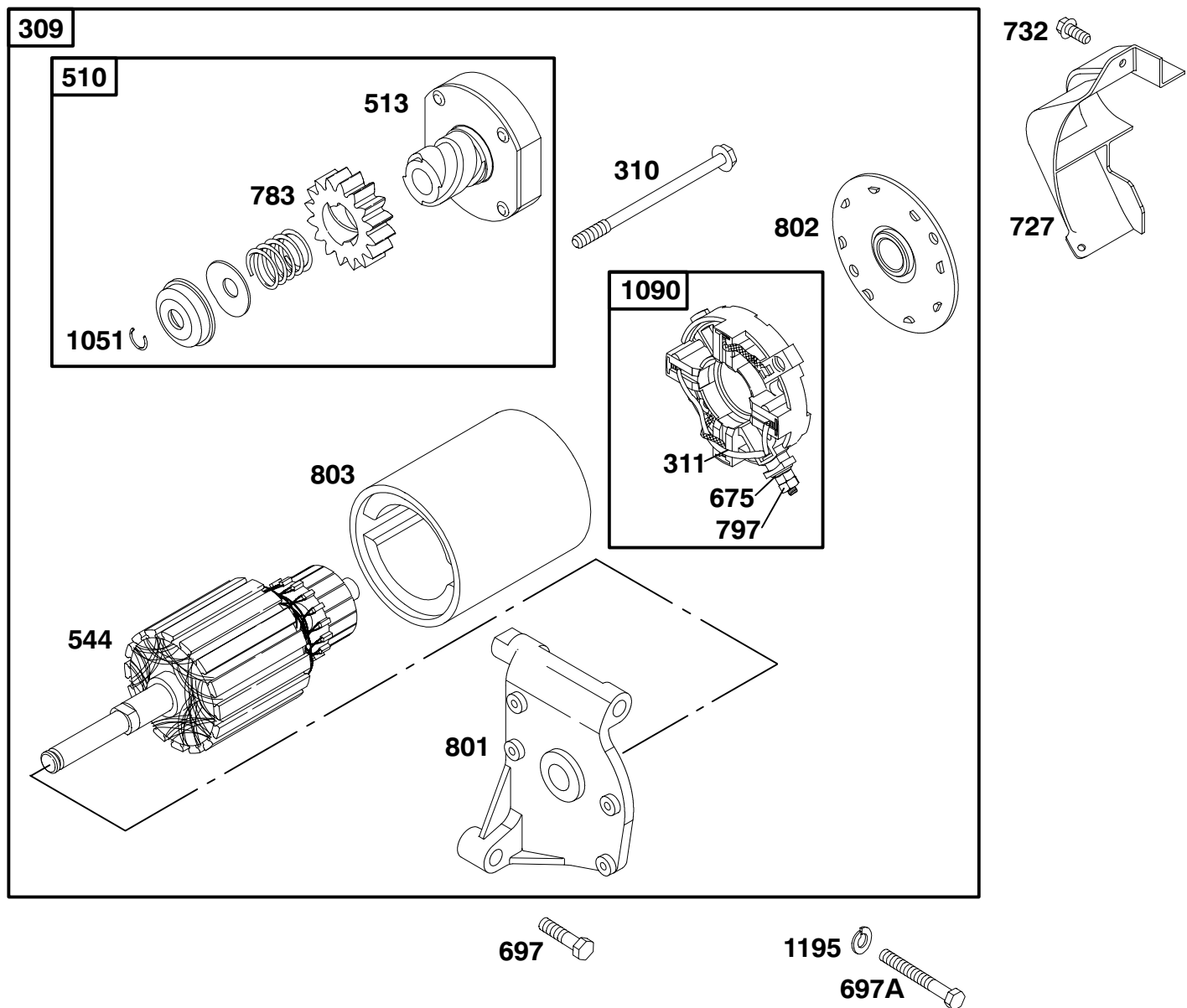


REF. NO.	PART NO.	DESCRIPTION	REF. NO.	PART NO.	DESCRIPTION	REF. NO.	PART NO.	DESCRIPTION
55A	691421	Housing-Rewind Starter	455	691219	Cup-Flywheel	1210	498144	Pulley/Spring Assembly (Pulley)
58A	280399	Rope-Starter (Cut To Required Length)	456	281503	Plate-Pawl Friction	1211	498144	Pulley/Spring Assembly (Spring)
60B	281434	Grip-Starter Rope (Pistol Grip)	459	281505	Pawl-Ratchet			
65	94904	Screw (Rewind Start)	592	94908	Nut (Rewind Starter)			
73	691225	Screen-Rotating (Use Tapered Side Cup Without Ring)	597	94943	Screw (Pawl Friction Plate)			
			608A	496650	Starter-Rewind			
			689C	263073	Spring-Friction (Ratchet Pawl)			

★ Included in Engine Gasket Set-Ref. No. 358.
 ● Included in Carburetor Overhaul Kit-Ref. No. 121.

Included in Valve Gasket Set-Ref. No. 1095.

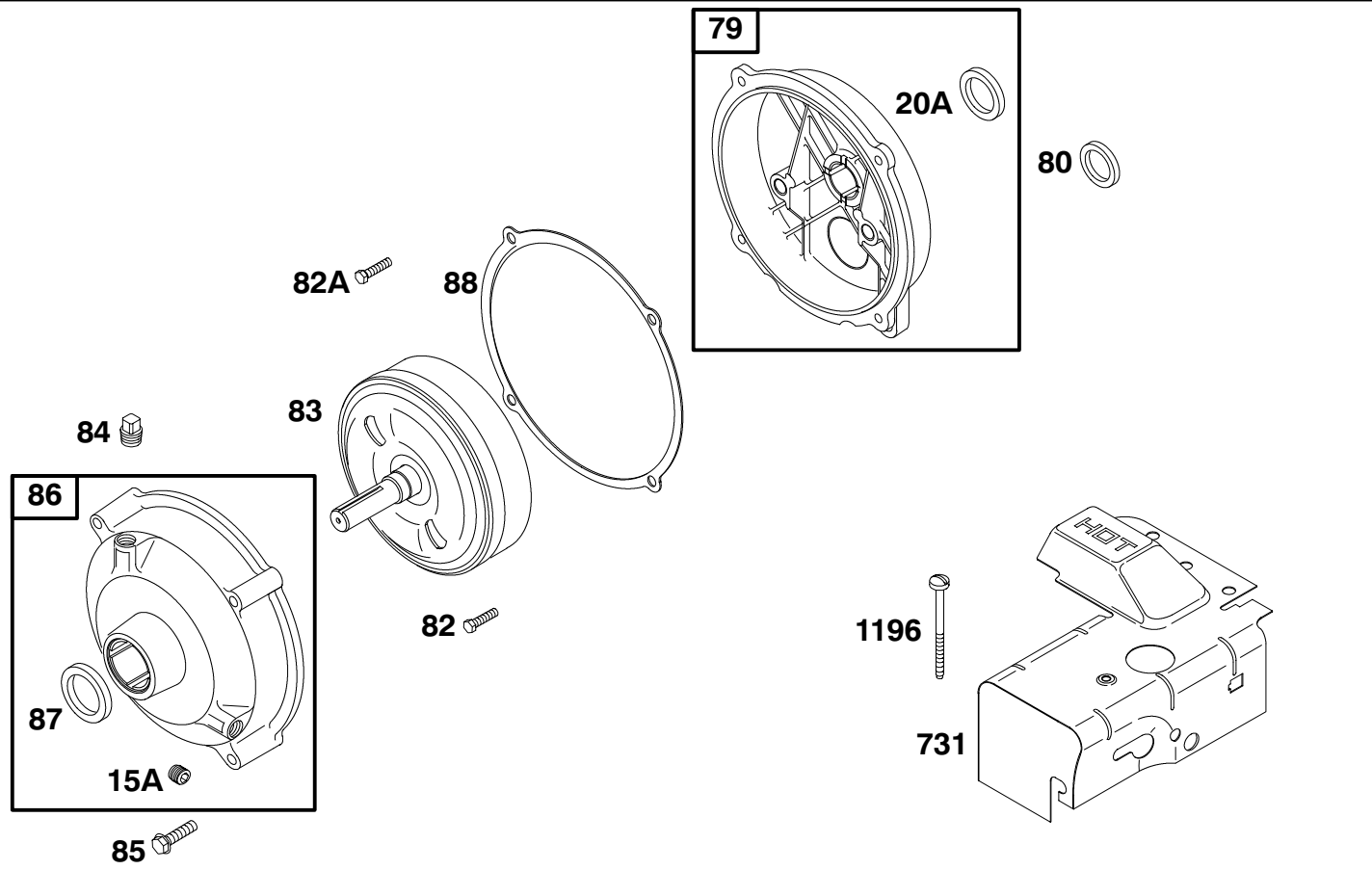
135200 to 135299



REF. NO.	PART NO.	DESCRIPTION	REF. NO.	PART NO.	DESCRIPTION	REF. NO.	PART NO.	DESCRIPTION
309	690658	Motor-Starter	697	93585	Screw (Drive Cap, 1.60" Long)	797	92278	Nut (Brush Retainer)
310	690323	Bolt (Starter Motor)	697A	690298	Screw (Drive Cap, 3.47" Long)	801	690835	Cap-Drive
311	497608	Set-Brush	727	690600	Cover-Starter Drive	802	497607	Cap-End
510	499308	Drive-Starter	732	691097	Screw (Starter Drive Cover)	803	693757	Housing-Starter
513	398003	Clutch-Drive	783	692353	Gear-Pinion	1051	263080	Ring-Retaining
544	692966	Armature-Starter				1090	497605	Retainer-Brush
675	225137	Washer (Brush Retainer)				1195	691075	Washer (Drive Cap)

★ Included in Engine Gasket Set-Ref. No. 358.
● Included in Carburetor Overhaul Kit-Ref. No. 121.

Included in Valve Gasket Set-Ref. No. 1095.

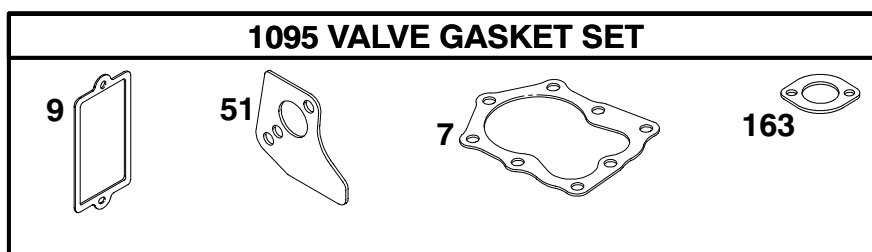
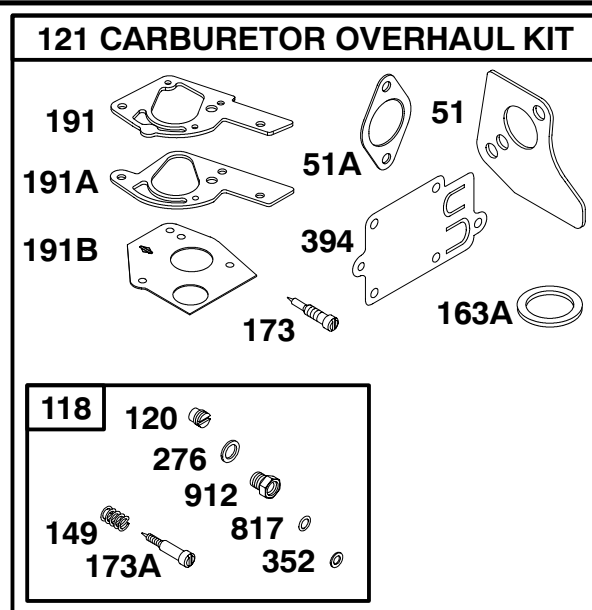
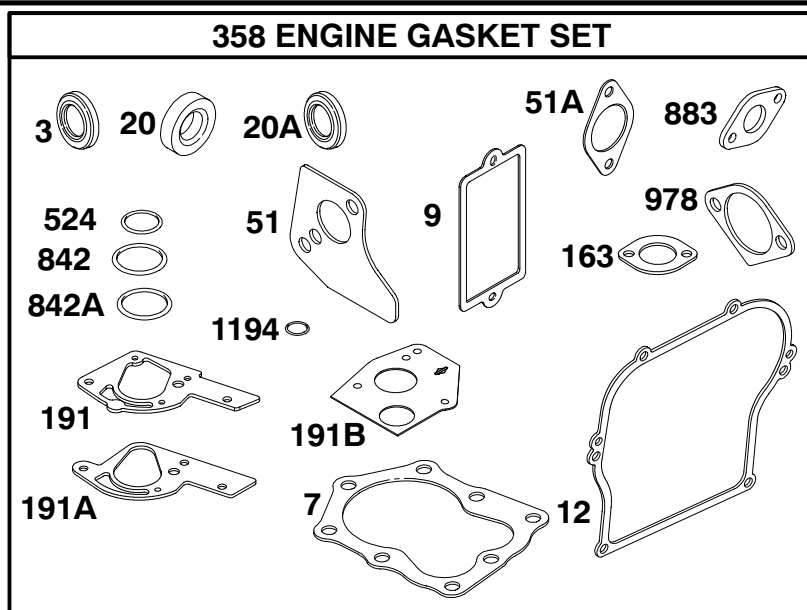


REF. NO.	PART NO.	DESCRIPTION	REF. NO.	PART NO.	DESCRIPTION	REF. NO.	PART NO.	DESCRIPTION
15A	94886	Plug-Oil Drain Plug (Recessed Hex Socket)	82	690369	Screw (Gear Reduction Case) (7/8" Long)	85	691117	Screw (Gear Cover To Gear Reduction)
20A	★299819	Seal-Oil (PTO Side, 53/64" I.D. Without Spring)	82A	691122	Screw (Gear Reduction Case) (1 1/2" Long)	86	690608	Cover-Gear
79	690605	Case-Gear Reduction	83	690374	Shaft-Auxiliary Drive	87	19011	Seal-Gear Reduction
80	27667	Gasket-Gear Case	84	691121	Plug-Breather	88	27313	Gasket-Gear Reduction Cover
						731	399183	Hood-Snow
						1196	93977	Screw (Snow Hood)

★ Included in Engine Gasket Set-Ref. No. 358.
 ● Included in Carburetor Overhaul Kit-Ref. No. 121.

Included in Valve Gasket Set-Ref. No. 1095.

135200 to 135299



REF. NO.	PART NO.	DESCRIPTION	REF. NO.	PART NO.	DESCRIPTION	REF. NO.	PART NO.	DESCRIPTION
3	★299819	Seal-Oil (Magneto Side)	118	●299060	Valve-High Speed	524	★271485	Seal-Dipstick Tube
7	★ 272157	Gasket-Cylinder Head	120	●692134	Seat-Needle Valve	817	●65978	Seal-O Ring (High Speed Valve)
9	★ 27549	Gasket-Breather	121	495606	Kit-Carburetor Overhaul	842	★280393	Seal-O Ring (Tube & Dipstick/Cap Combo Only, .862 ID) (Used After Code Date 99031400).
12	★270080	Gasket-Crankcase (Standard)	149	●26336	Spring-Needle Valve	842A	★270920	Seal-O Ring (Tube & Dipstick/Cap Combo Only, 1.174 ID) (Used Before Code Date 99031500).
		----- Note -----	163	★ 271935	Gasket-Air Cleaner (Standard, Oval)	883	★272309	Gasket-Exhaust
		★270125 Gasket-Crankcase (.005")	163A	●271139	Gasket-Air Cleaner (5/8 O.D. Round)	912	●690504	Nut-Needle Valve
		★270126 Gasket-Crankcase (.009")	173	●231533	Valve-Idle Mixture (Idle)	978	★273326	Gasket-OIL GARD®
20	★495307	Seal-Oil (PTO Side, 1 5/8 O.D. Without Spring)	173A	●690266	Valve-Idle Mixture (Main)	1095	498529	Gasket Set-Valve
20A	★299819	Seal-Oil (PTO Side, 1 1/4 O.D. Without Spring)	191	★●272489	Gasket-Fuel Tank	1194	★271485	Seal-O Ring (Plug)
51	●273113	Gasket-Intake	191A	★●272996	Gasket-Fuel Tank			
51A	★●27355	Gasket-Intake Used on Type No(s). 0299, 1101-01, 1012, 1309.	191B	★●272409	Gasket-Fuel Tank Used on Type No(s). 0299, 1011-01, 1012.			
			276	●66594	Washer-Sealing			
			352	●690257	Washer (High Speed Valve)			
			358	495603	Gasket Set-Engine			
			394	●272538	Diaphragm-Carburetor (Pump)			

★ Included in Engine Gasket Set-Ref. No. 358.
● Included in Carburetor Overhaul Kit-Ref. No. 121.

Included in Valve Gasket Set-Ref. No. 1095.