

# Illustrated Parts List

## Model Series

### 134400 to 134499

TYPE NUMBERS  
0113, 0513, 1011,  
1113, 1120.

**TO FIND**  
**THE CORRECT NUMBER OF THE PART YOU NEED:**  
**FOLLOW THE INSTRUCTIONS BELOW**

- A. Refer to Engine Model, Type and Code Number that is stamped on the blower housing of engine. Engine type numbers such as 0123 01 are listed only as 0123 in most instances. The two digits (01 or 02, etc.) to the right of the space may be required for more accurate parts identification in some instances. Select the Illustrated Parts List covering the correct Model Series and Type Number.
- B. Refer to the Illustrations and compare the original part with Illustration. The number next to the illustration is the Reference Number. Assemblies include all parts shown in frames. All parts shown in assembly frames having individual reference numbers can be purchased separately.
- C. After the Reference Number has been identified, refer to the Numerical text, where Reference and Primary Part Number are listed. **THE PRIMARY PART IS USED ON ALL TYPE NUMBERS EXCEPT THOSE TYPE NUMBERS UNDER "NOTE."**
- D. If a "Note" appears below the Primary Part Number, it means that this part differs from the Primary Part for certain types. If your Type number is listed under "Note," order the part referred to at the "Note."
- E. If your Engine Type Number does not appear after any part number listed under "Note," use the Primary Part Number.
- F. For Engine Type Numbers not covered by this book, check other Parts Lists having the same engine model or contact your source of supply.

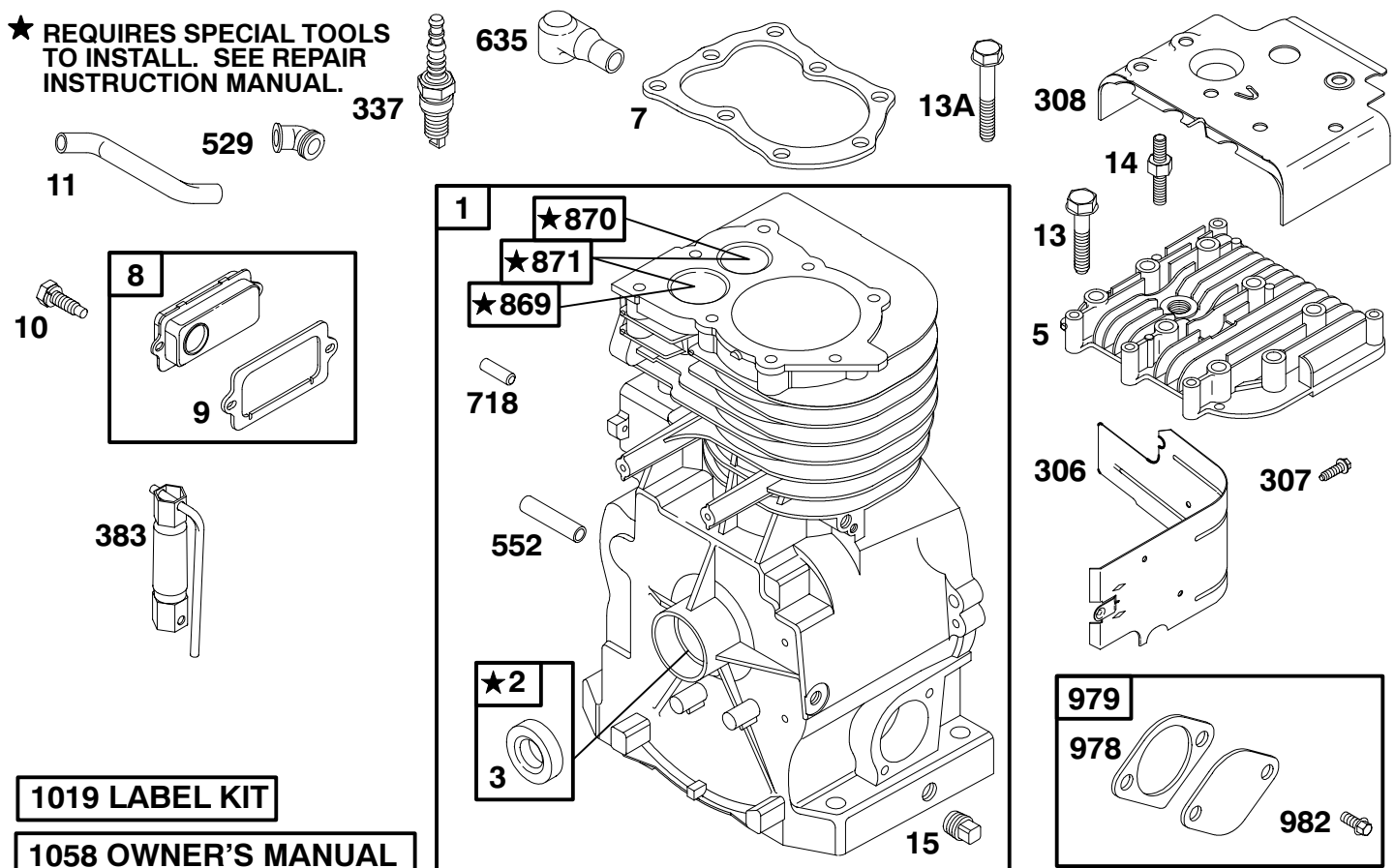
PRINTED IN U.S.A.



COPYRIGHT by BRIGGS & STRATTON CORPORATION  
All rights reserved. No part of this material may be reproduced or transmitted, in any form or by any means, electronic or mechanical, including photocopying, recording or by any information storage and retrieval system, without permission in writing from Briggs & Stratton Corporation.

# 134400 to 134499

★ **REQUIRES SPECIAL TOOLS TO INSTALL. SEE REPAIR INSTRUCTION MANUAL.**



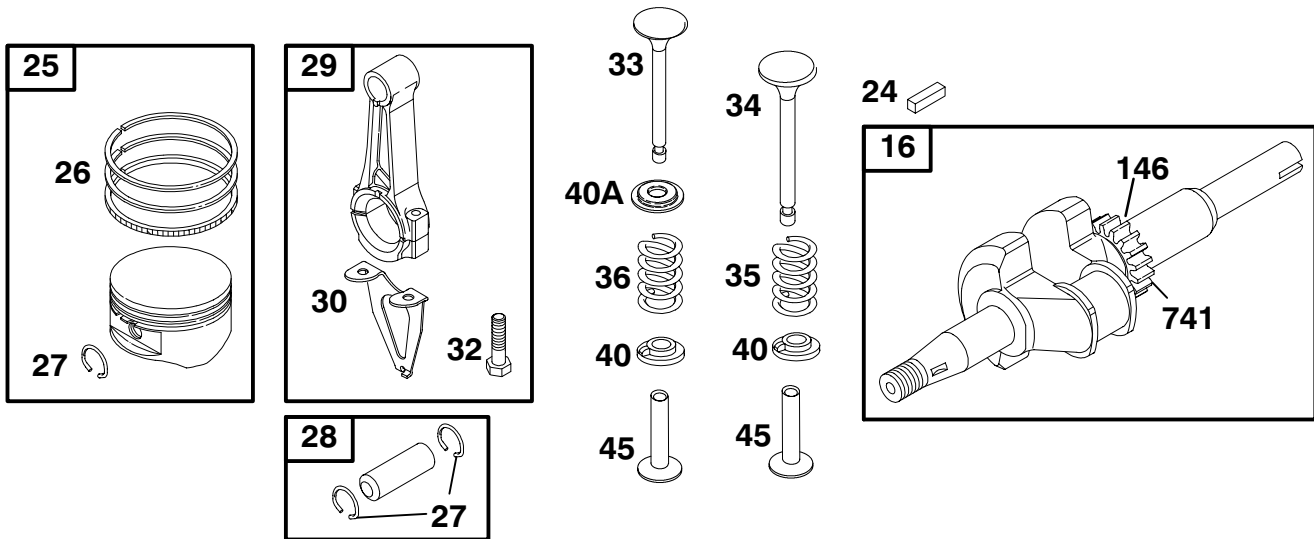
**1019 LABEL KIT**

**1058 OWNER'S MANUAL**

REF. NO.	PART NO.	DESCRIPTION	REF. NO.	PART NO.	DESCRIPTION	REF. NO.	PART NO.	DESCRIPTION
1	495133	Cylinder Assembly	14	690368	Stud (Cylinder Head)	869	211787	Seat-Valve (Intake)
2	399268	Kit-Bushing/Seal (Magneto Side)	15	94916	Plug-Oil Drain (Square Head)	870	263094	Seat-Valve (Exhaust-Cobalite )
3	★299819	Seal-Oil (Magneto Side)			----- <b>Note</b> -----	871	262001	Bushing-Valve Guide (Exhaust Valve)
5	214040	Head-Cylinder			<b>94687</b> Plug-Oil Drain (Magnetic)			----- <b>Note</b> -----
7	★272157	Gasket-Cylinder Head	306	690483	Shield-Cylinder			<b>63709</b> Bushing-Valve Guide (Intake Valve)
8	495774	Breather Assembly	307	94680	Screw (Cylinder Shield)	978	★273326	Gasket-Oil Gard
9	★27549	Gasket-Breather	308	690473	Cover-Cylinder Head	979	691382	Cover-Oil Gard
10	691666	Screw (Breather Assembly)	337	802592	Sparkplug	982	690351	Screw (OIL GARD Cover)
11	691246	Tube-Breather	383	89838	Wrench-Sparkplug	1019	495861	Kit-Label
13	94221	Screw (Cylinder Head)	529	66578	Grommet	1058	274785	Owner's Manual (Emission Engine)
13A	94679	Screw (Cylinder Head)	552	690508	Bushing-Governor Crank			
			635	66538	Boot-Sparkplug			
			718	230192	Pin-Locking			

★ Included in Engine Gasket Set-Ref. 358.  
● Included in Carburetor Overhaul Kit-Ref. 121.

◆ Included in Valve Gasket Set-Ref. 1095.  
◆ Included in Carburetor Gasket Set-Ref 977.

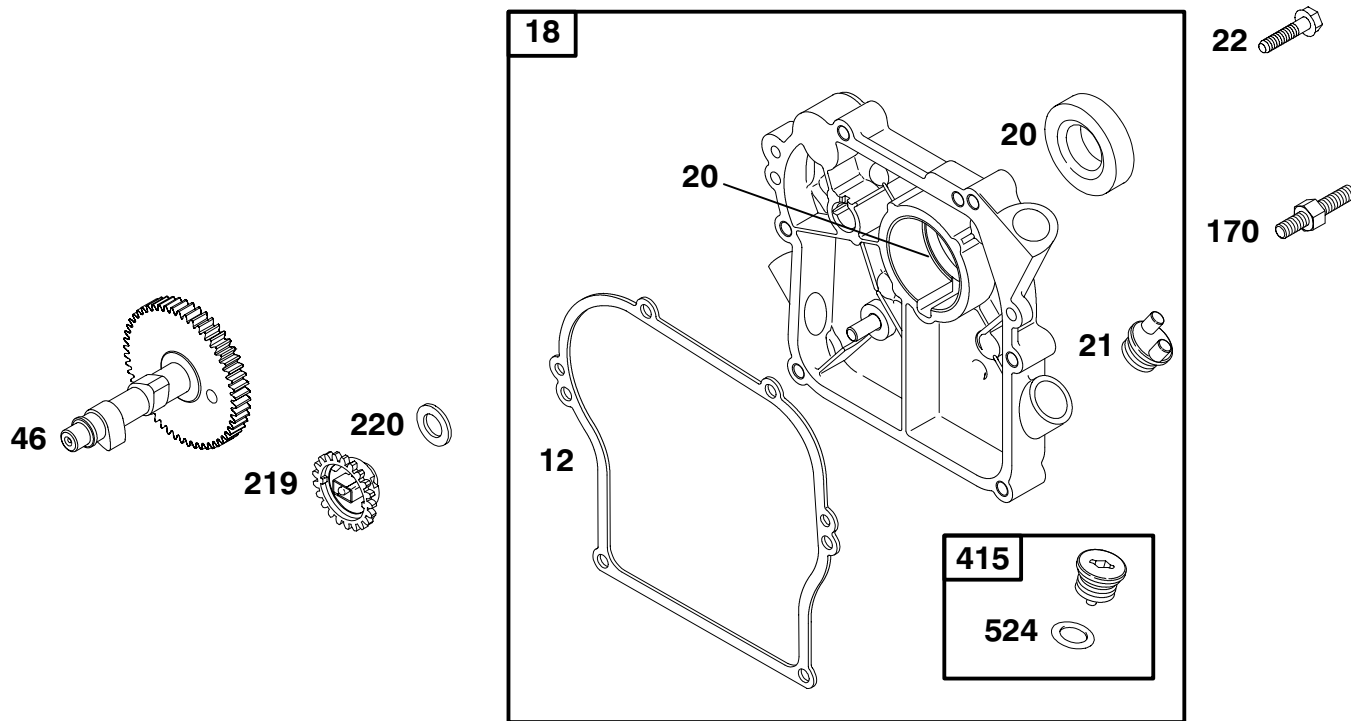


REF. NO.	PART NO.	DESCRIPTION	REF. NO.	PART NO.	DESCRIPTION	REF. NO.	PART NO.	DESCRIPTION
16	492088	Crankshaft ----- <b>Note</b> ----- 397103 Crankshaft Used On Type No(s). 1011.	26	399067	Ring Set (Standard) ----- <b>Note</b> ----- 399014 Ring Set (.010" O.S.) 399015 Ring Set (.020" O.S.) 399016 Ring Set (.030" O.S.)	30	225183	Dipper-Connecting Rod
24	222698	Key-Flywheel	27	26026	Lock-Piston Pin	32	94699	Screw (Connecting Rod)
25	393819	Piston Assembly (Standard) ----- <b>Note</b> ----- 393820 Piston Assembly (.010" O.S.) 393821 Piston Assembly (.020" O.S.) 393822 Piston Assembly (.030" O.S.)	28	298909	Pin-Piston (Standard) ----- <b>Note</b> ----- 298908 Pin- Piston (.005" O.S.)	33	211119	Valve-Exhaust
			29	299430	Rod-Connecting (Standard) ----- <b>Note</b> ----- 390459 Rod- Connecting (.020" Undersize)	34	261044	Valve-Intake
						35	260552	Spring-Valve (Intake)
						36	26478	Spring-Valve (Exhaust)
						40	93312	Retainer-Valve
						40A	225257	Retainer-Valve
						45	260642	Tappet-Valve
						146	94388	Key-Timing
						741	262992	Gear-Timing

★ Included in Engine Gasket Set-Ref. 358.  
● Included in Carburetor Overhaul Kit-Ref. 121.

◆ Included in Valve Gasket Set-Ref. 1095.  
◆ Included in Carburetor Gasket Set-Ref 977.

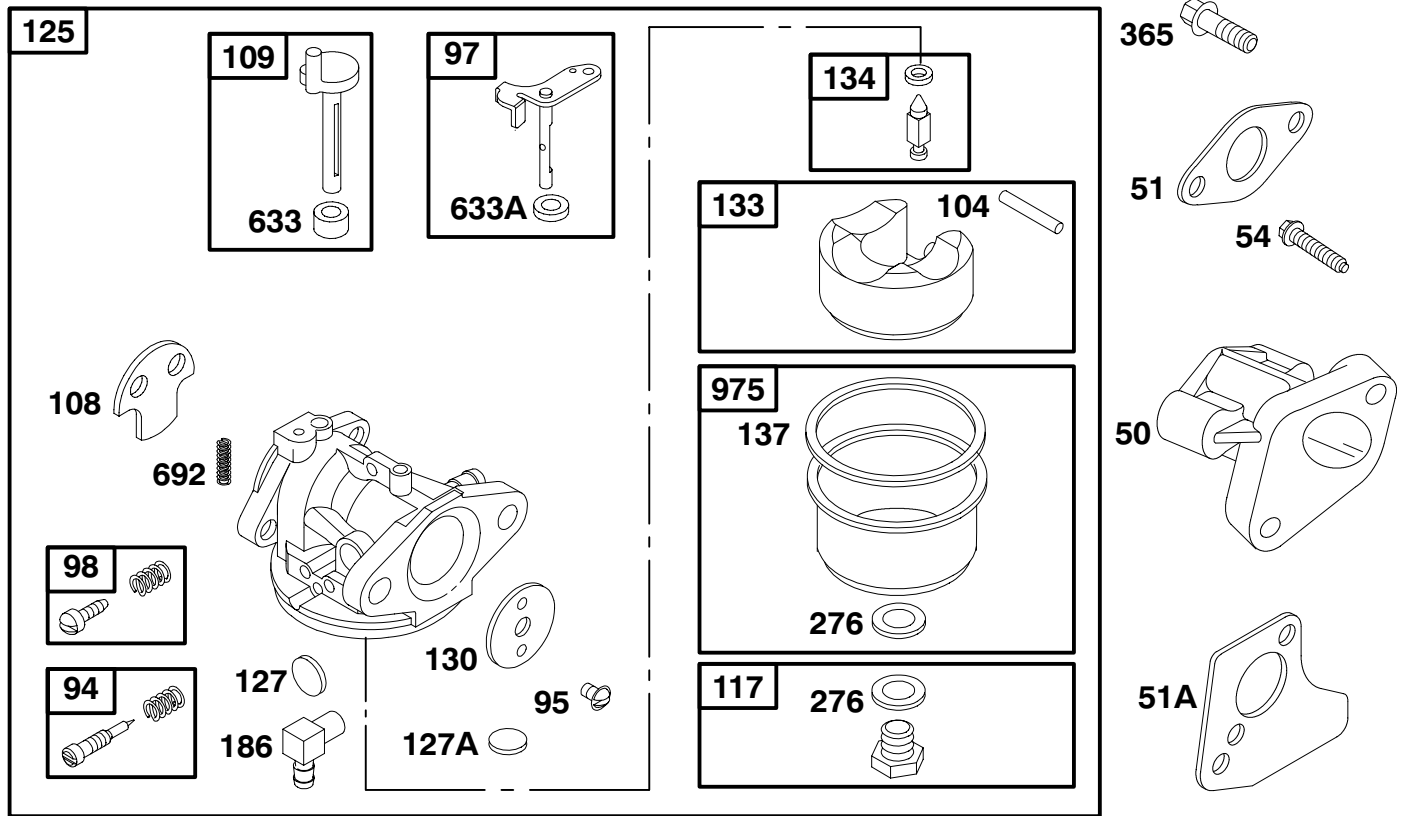
# 134400 to 134499



REF. NO.	PART NO.	DESCRIPTION	REF. NO.	PART NO.	DESCRIPTION	REF. NO.	PART NO.	DESCRIPTION
12	★270080	Gasket-Crankcase (.015" Thick, Standard) ----- <b>Note</b> ----- ★270125 Gasket-Crankcase (.005" Thick) ★270126 Gasket-Crankcase (.009" Thick)	18	694350	Cover-Crankcase (Plain Bearing) (Used After Code Date 99031400). ----- <b>Note</b> ----- 494044 Cover-Crankcase (Plain Bearing) (Used Before Code Date 99031500).	22	94682	Screw (Crankcase Cover)
			20	★294606	Seal-Oil (PTO Side)	46	691164	Camshaft
			21	281658	Cap-Oil Fill	170	691120	Stud (Crankcase Cover) Used On Type No(s). 0113, 0513, 1113, 1120.
						219	494845	Gear-Governor
						220	221551	Washer (Governor Gear)
						415	691363	Plug (For High Oil Fill Hole)
						524	★271485	Seal-Dipstick Tube

★ Included in Engine Gasket Set-Ref. 358.  
● Included in Carburetor Overhaul Kit-Ref. 121.

◆ Included in Valve Gasket Set-Ref. 1095.  
◆ Included in Carburetor Gasket Set-Ref 977.

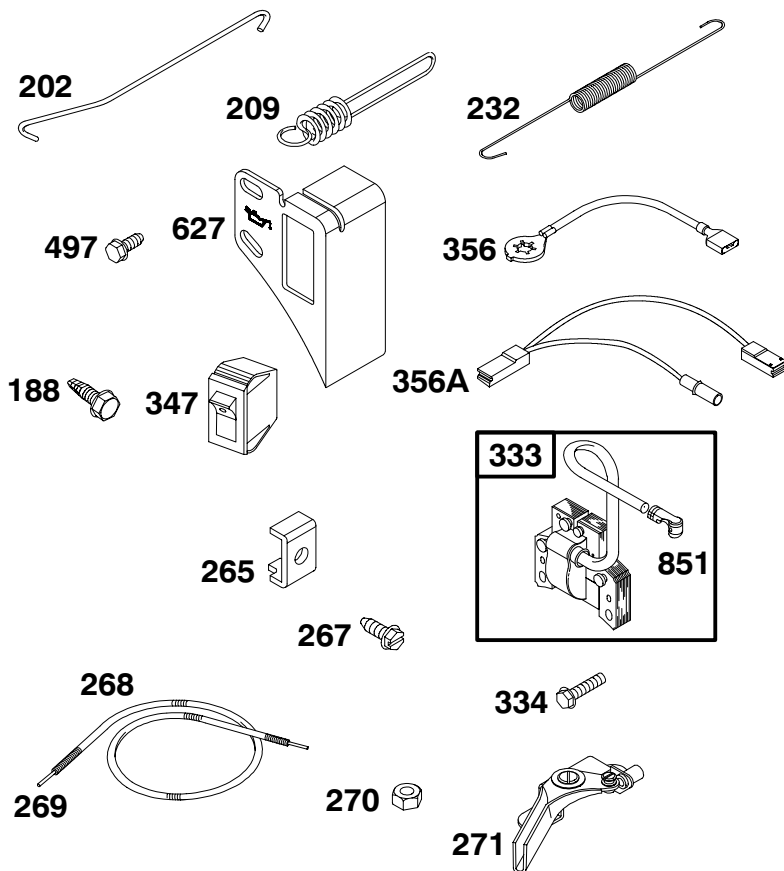
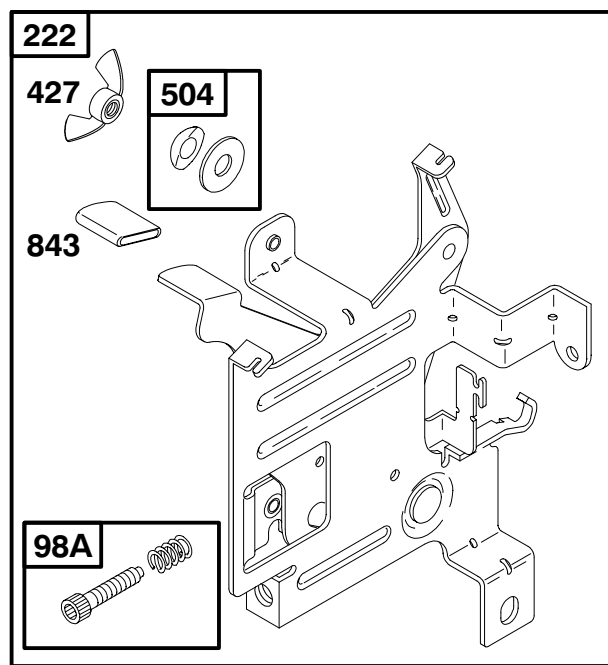


REF. NO.	PART NO.	DESCRIPTION	REF. NO.	PART NO.	DESCRIPTION	REF. NO.	PART NO.	DESCRIPTION
50	281247	Manifold-Intake	117	690048	Jet-Main (Standard)	125	498599	Carburetor
51	★272295	Gasket-Intake			(Used After Code Date 98050100).			----- <b>Note</b> -----
51A	★273113	Gasket-Intake			691428 Jet-Main (Standard)			495652 Carburetor
54	94923	Screw (Intake Manifold)			(Used Before Code Date 98043000).			Used On Type No(s). 0113.
94	●493765	Kit-Idle Mixture			----- <b>Note</b> -----	127	●694468	Plug-Welch (3/8" Dia)
95	94098	Screw (Throttle Valve)			497434 Jet-Main (Standard)	127A	●223472	Plug-Welch (5/16" Dia)
97	493556	Shaft-Throttle			Used On Type No(s). 0113.	130	691181	Valve-Throttle
98	398185	Kit-Idle Speed			----- <b>Note</b> -----	133	398187	Float-Carburetor
104	●691242	Pin-Float Hinge			493869 Jet-Main (High Altitude)	134	●398188	Kit-Needle/Seat
108	691182	Valve-Choke				137	●●693981	Gasket-Float Bowl
		----- <b>Note</b> -----				186	493496	Connector-Hose
		224783 Valve-Choke (Used Before Code Date 98043000).				276	●●271716	Washer-Sealing
109	498593	Shaft-Choke				365	94920	Screw (Carburetor)
		----- <b>Note</b> -----				633	●●693867	Seal-Choke Shaft
		495651 Shaft-Choke Used On Type No(s). 0113.				633A	●●691321	Seal-Throttle Shaft
						692	690572	Spring-Detent
						975	493640	Bowl-Float

★ Included in Engine Gasket Set-Ref. 358.  
● Included in Carburetor Overhaul Kit-Ref. 121.

◆ Included in Valve Gasket Set-Ref. 1095.  
◆ Included in Carburetor Gasket Set-Ref 977.

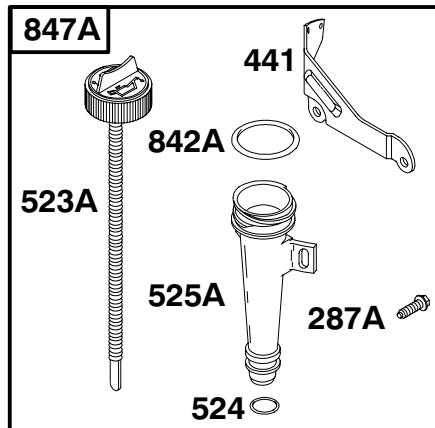
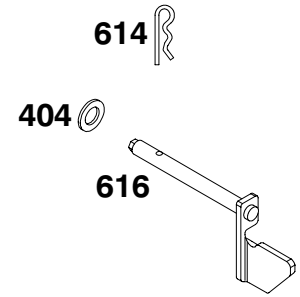
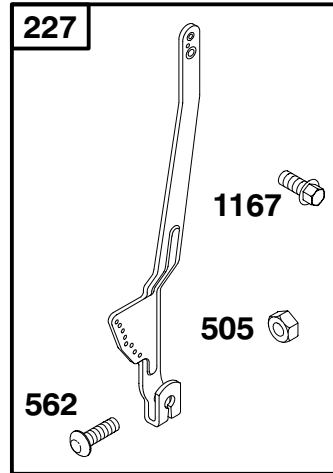
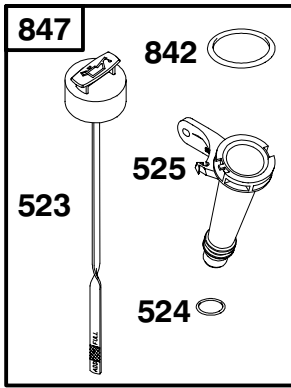
# 134400 to 134499



REF. NO.	PART NO.	DESCRIPTION	REF. NO.	PART NO.	DESCRIPTION	REF. NO.	PART NO.	DESCRIPTION
98A	493280	Kit-Idle Speed	268	691072	Casing-Control Wire (48" Long; Cut to Required Length)	270	63426	Nut (Control Wire Casing)
188	94896	Screw (Control Bracket)			----- Note -----	271	290568	Lever-Control
202	691282	Link-Mechanical Governor			65616 Casing-Control Wire (72" Long; Cut to Required Length)	333	397358	Armature-Magneto
209	262283	Spring-Governor			----- Note -----	334	93414	Screw (Magneto Armature)
222	691383	Bracket-Control			26633 Wire-Control (78" Long; Cut to Required Length)	347	493521	Switch-Rocker
232	260585	Spring-Governor Link	269	26099	Wire-Control (54" Long; Cut to Required Length)	356	690817	Wire-Stop
265	221535	Clamp-Casing			----- Note -----	356A	690818	Wire-Stop
267	94906	Screw (Casing Clamp)				427	690355	Nut (Control Bracket)
						497	94896	Screw (Stop Switch Bracket)
						504	495659	Washer Set-Friction
						627	690474	Bracket-Stop Switch
						843	691322	Sleeve-Lever
						851	493880	Terminal-Sparkplug

★ Included in Engine Gasket Set-Ref. 358.  
 ● Included in Carburetor Overhaul Kit-Ref. 121.

◆ Included in Valve Gasket Set-Ref. 1095.  
 ◆ Included in Carburetor Gasket Set-Ref 977.

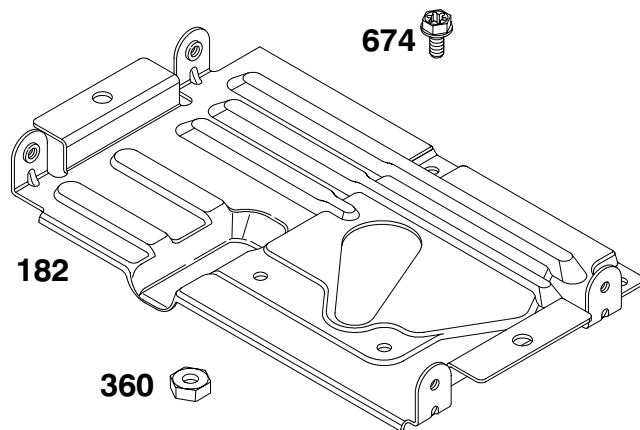
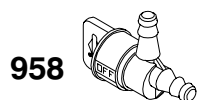
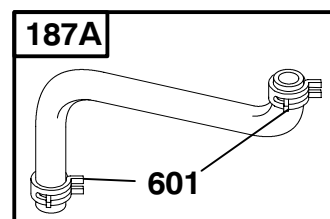
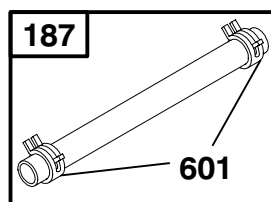
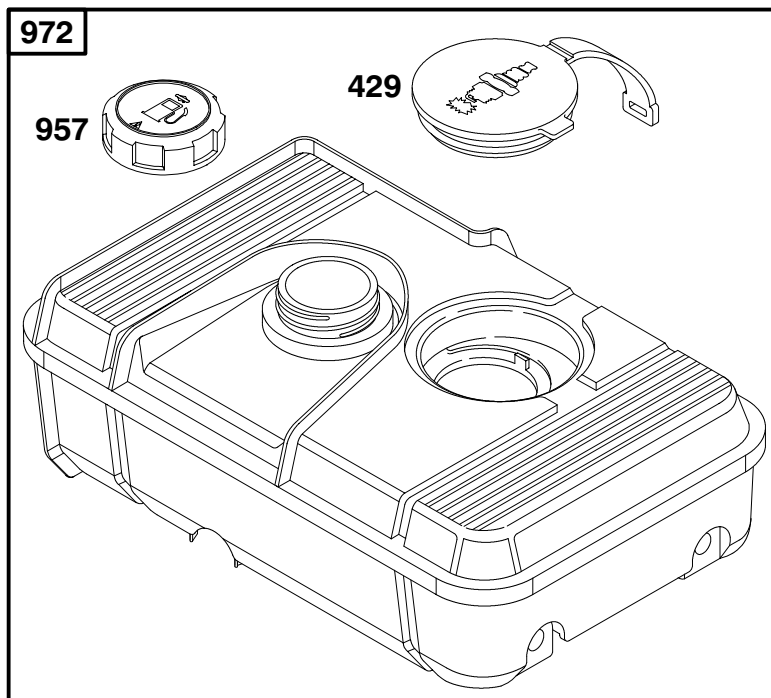


REF. NO.	PART NO.	DESCRIPTION	REF. NO.	PART NO.	DESCRIPTION	REF. NO.	PART NO.	DESCRIPTION
227	690842	Lever-Governor Control	523	495264	Dipstick (Used After Code Date 99031400).	616	495243	Crank-Governor Seal-O Ring (Used After Code Date 99031400).
287	94807	Screw (Dipstick Tube) (Used After Code Date 99031400).	523A	691388	Dipstick (Used Before Code Date 99031500).	842	★280393	Seal-O Ring (Used After Code Date 99031400).
287A	94929	Screw (Dipstick Tube) (Used Before Code Date 99031500).	524	★271485	Seal-Dipstick Tube	842A	★270920	Seal-O Ring (Used Before Code Date 99031500).
404	94927	Washer (Governor Crank)	525	694379	Tube-Dipstick (Used After Code Date 99031400).	847	694381	Dipstick/Tube Assembly
441	690448	Bracket-Oil Fill	525A	694531	Tube-Dipstick (Used Before Code Date 99031500).	847A	691379	Dipstick/Tube Assembly
505	691251	Nut (Governor Control Lever)	562	691119	Bolt (Governor Control Lever)	1167	94929	Screw (Governor Control Lever)
			614	93306	Pin-Cotter			

★ Included in Engine Gasket Set-Ref. 358.  
 ● Included in Carburetor Overhaul Kit-Ref. 121.

◆ Included in Valve Gasket Set-Ref. 1095.  
 ◆ Included in Carburetor Gasket Set-Ref 977.

# 134400 to 134499

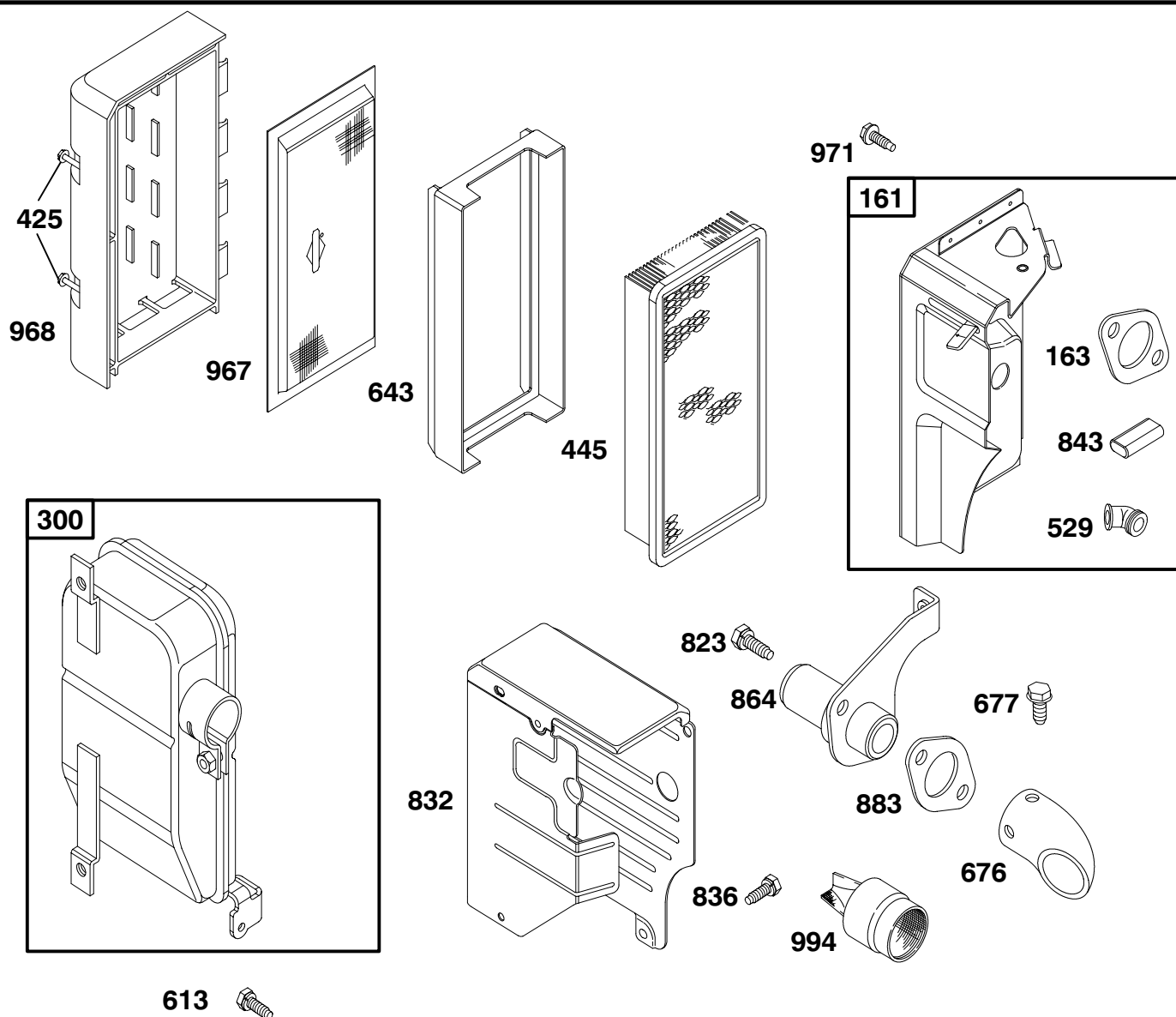


REF. NO.	PART NO.	DESCRIPTION	REF. NO.	PART NO.	DESCRIPTION	REF. NO.	PART NO.	DESCRIPTION
182	690469	Bracket-Fuel Tank	360	94010	Nut (Fuel Tank Bracket)	674A	94895	Screw (Fuel Tank Bracket)
187	298049	Line-Fuel (Cut To Required Length)	429	692354	Cover-Sparkplug	957	493988	Cap-Fuel Tank
187A	495218	Line-Fuel (Molded)	601	93053	Clamp-Hose	958	494769	Valve-Fuel Shut-Off
			674	94905	Screw (Fuel Tank Bracket)	972	495345	Tank-Fuel

★ Included in Engine Gasket Set-Ref. 358.  
● Included in Carburetor Overhaul Kit-Ref. 121.

◆ Included in Valve Gasket Set-Ref. 1095.  
◆ Included in Carburetor Gasket Set-Ref 977.



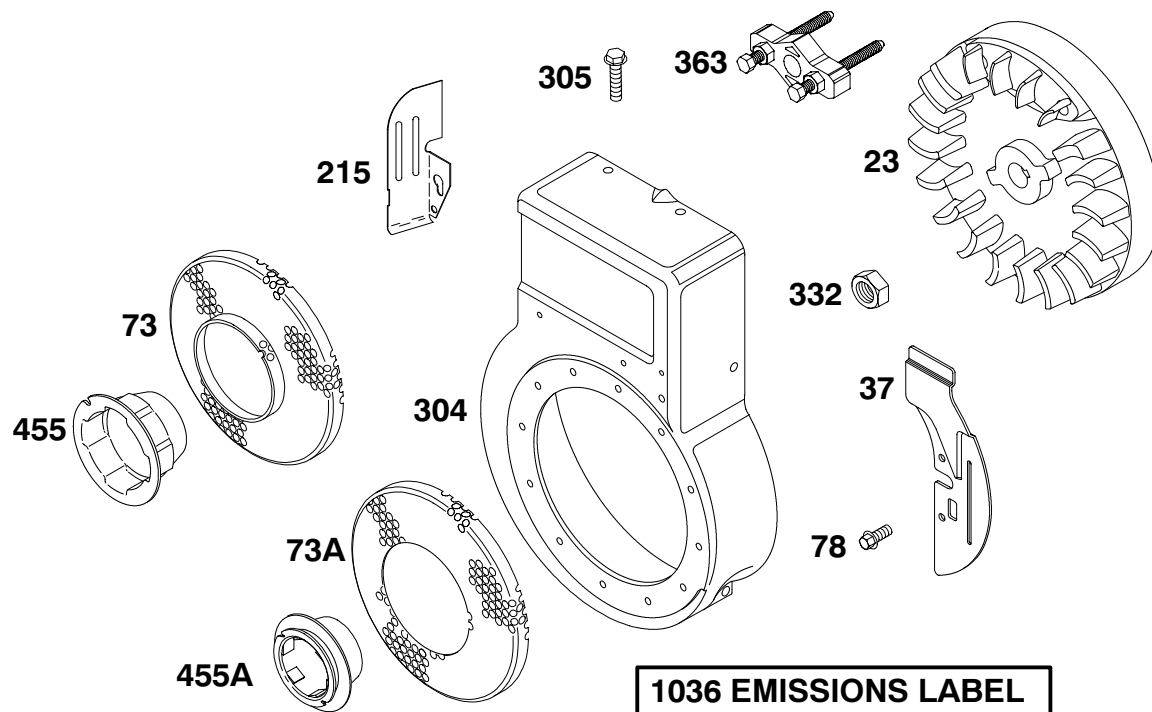


REF. NO.	PART NO.	DESCRIPTION	REF. NO.	PART NO.	DESCRIPTION	REF. NO.	PART NO.	DESCRIPTION
161	691384	Base-Air Cleaner	613	94929	Screw (Exhaust Muffler)	836	94929	Screw (Muffler Guard)
163	★272948	Gasket-Air Cleaner	643	280871	Retainer-Air Filter	843	280149	Sleeve-Lever
300	494562	Muffler	676	495074	Deflector-Muffler	864	690812	Adapter-Muffler
425	94872	Screw (Air Cleaner Cover)	677	94896	Screw (Muffler Deflector)	883	★272309	Gasket-Exhaust
445	494511	Filter-Air Cleaner Cartridge	823	94706	Screw (Muffler Adapter)	967	492889	Filter-Pre Cleaner
529	66578	Grommet	832	690811	Guard-Muffler	968	691327	Cover-Air Cleaner
						971	690370	Screw (Air Cleaner Base)
						994	690813	Arrestor-Spark

★ Included in Engine Gasket Set-Ref. 358.  
 ● Included in Carburetor Overhaul Kit-Ref. 121.

◆ Included in Valve Gasket Set-Ref. 1095.  
 ◆ Included in Carburetor Gasket Set-Ref 977.

# 134400 to 134499

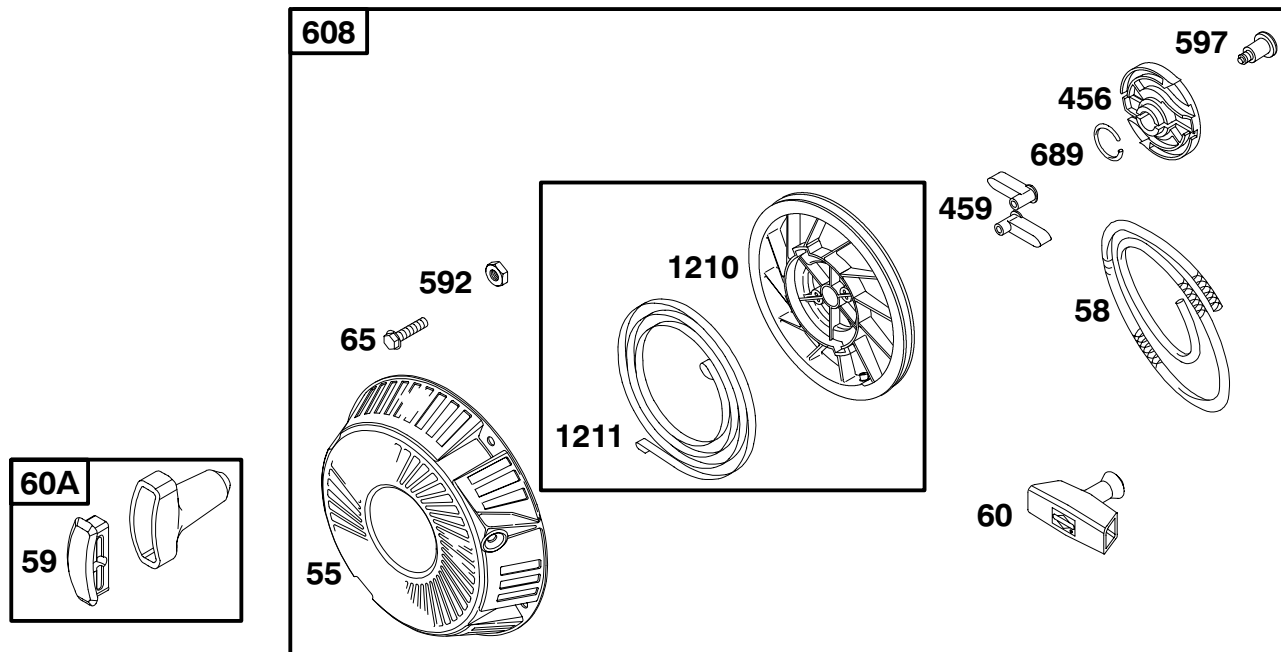


**1036 EMISSIONS LABEL**

REF. NO.	PART NO.	DESCRIPTION	REF. NO.	PART NO.	DESCRIPTION	REF. NO.	PART NO.	DESCRIPTION
23	399673	Flywheel	304	691410	Housing-Blower (Red)	1036	695099	Label-Emissions (Used After Code Date 9909300).
37	222443	Guard-Flywheel			----- <b>Note</b> -----			----- <b>Note</b> -----
73	691225	Screen-Rotating		495759	Housing-Blower (Black)		694516	Label-Emissions (Used After Code Date 98123100 and Before Code Date 99010100).
73A	691226	Screen-Rotating	305	692198	Screw (Blower Housing)		499348	Label-Emissions (Used After Code Date 97052500 and Before Code Date 99010200).
78	94680	Screw (Flywheel Guard)	332	94877	Nut (Flywheel)		499347	Label-Emissions (Used Before Code Date 97052600).
215	223886	Guide-Air	363	19069	Flywheel Puller			
			455	691219	Cup-Flywheel			
			455A	691426	Cup-Flywheel			

★ Included in Engine Gasket Set-Ref. 358.  
 ● Included in Carburetor Overhaul Kit-Ref. 121.

◆ Included in Valve Gasket Set-Ref. 1095.  
 ◆ Included in Carburetor Gasket Set-Ref 977.

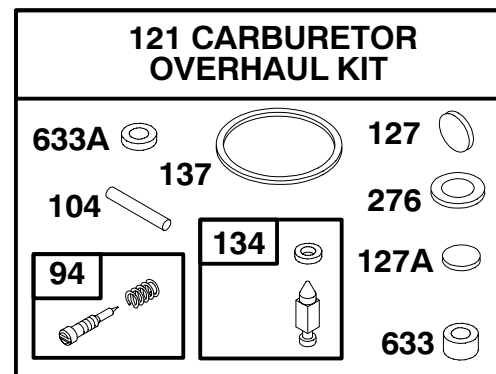
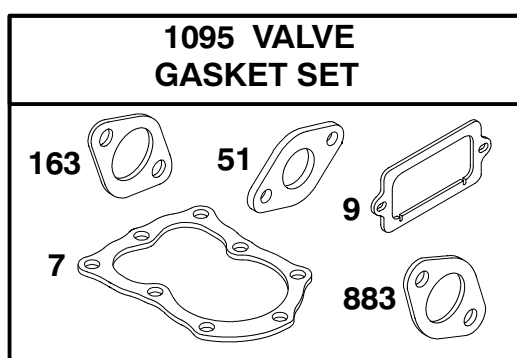
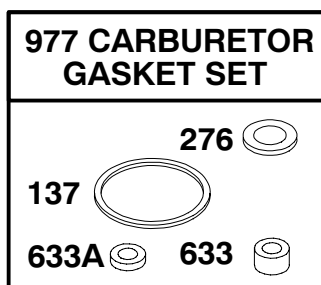
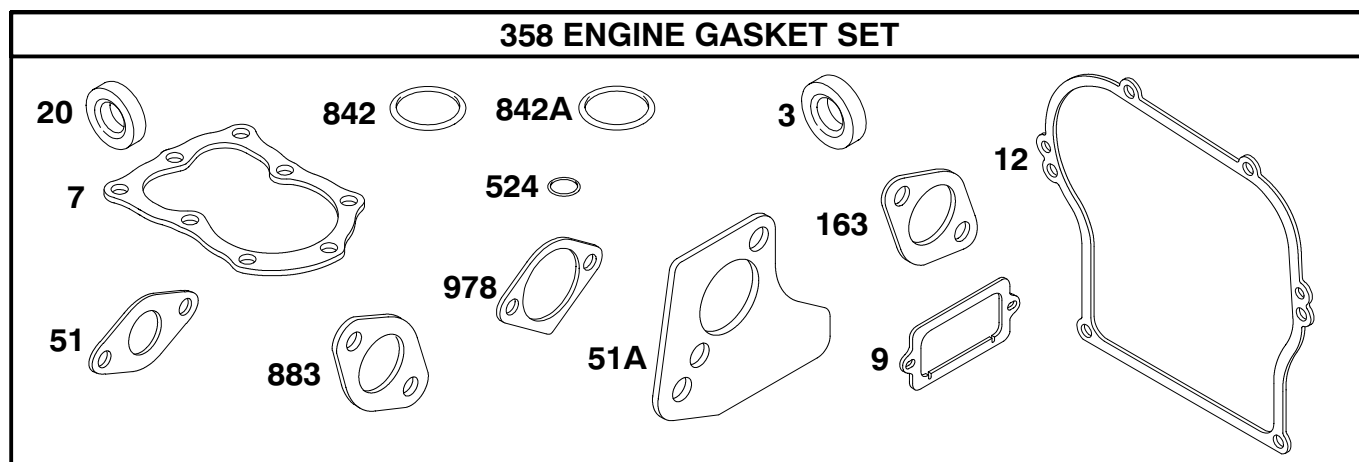


REF. NO.	PART NO.	DESCRIPTION	REF. NO.	PART NO.	DESCRIPTION	REF. NO.	PART NO.	DESCRIPTION
55	691422	Housing-Rewind Starter	60	281101	Grip-Starter Rope	608	497830	Starter-Rewind
		----- <b>Note</b> -----	60A	393152	Grip-Starter Rope	689	263073	Spring-Friction
		691421 Housing-Rewind Starter	65	94686	Screw	1210	498144	Pulley/Spring Assembly
		Used On Type No(s). 1011	456	281503	Plate-Pawl Friction (Rewind Starter)			(Pulley)
58	693389	Rope-Starter (Cut To Length)	459	281505	Pawl-Ratchet	1211	498144	Pulley/Spring Assembly
59	396892	Insert-Grip	592	94908	Nut (Rewind Starter)			(Spring)
			597	94943	Screw (Pawl Friction Plate)			

★ Included in Engine Gasket Set-Ref. 358.  
 ● Included in Carburetor Overhaul Kit-Ref. 121.

◆ Included in Valve Gasket Set-Ref. 1095.  
 ◆ Included in Carburetor Gasket Set-Ref 977.

# 134400 to 134499



REF. NO.	PART NO.	DESCRIPTION	REF. NO.	PART NO.	DESCRIPTION	REF. NO.	PART NO.	DESCRIPTION
3	★299819	Seal-Oil (Magneto Side)	20	★294606	Seal-Oil (PTO Side)	524	★271485	Seal-Dipstick Tube
7	★272157	Gasket-Cylinder Head	51	★272295	Gasket-Intake	633	●★693867	Seal-Choke/Throttle Shaft
9	★27549	Gasket-Breather	51A	★273113	Gasket-Intake	633A	●★691321	Seal-Throttle Shaft
12	★270080	Gasket-Crankcase (.015" Thick, Standard)	94	●493765	Kit-Idle Mixture	842	★691031	O-Ring Seal (Used After Code Date 99031400).
		----- Note -----	104	●691242	Pin-Float Hinge	842A	★270920	O-Ring Seal (Used Before Code Date 99031500).
		★270125 Gasket-Crankcase (.005" Thick)	121	493762	Kit-Carburetor Overhaul	883	★272309	Gasket-Exhaust
		★270126 Gasket-Crankcase (.009" Thick)	127	●694468	Plug-Welch	977	498261	Gasket Set-Carburetor
			127A	●223472	Plug-Welch	978	★273326	Gasket-Oil Gard
			134	●398188	Kit-Needle/Seat	1095	498531	Gasket Set-Valve
			137	●★693981	Gasket-Float Bowl			
			163	★272948	Gasket-Air Cleaner			
			276	●★271716	Washer-Sealing			
			358	495661	Gasket Set-Engine			

★ Included in Engine Gasket Set-Ref. 358.  
● Included in Carburetor Overhaul Kit-Ref. 121.

● Included in Valve Gasket Set-Ref. 1095.  
◆ Included in Carburetor Gasket Set-Ref 977.