

FORM MS-7129

5/91

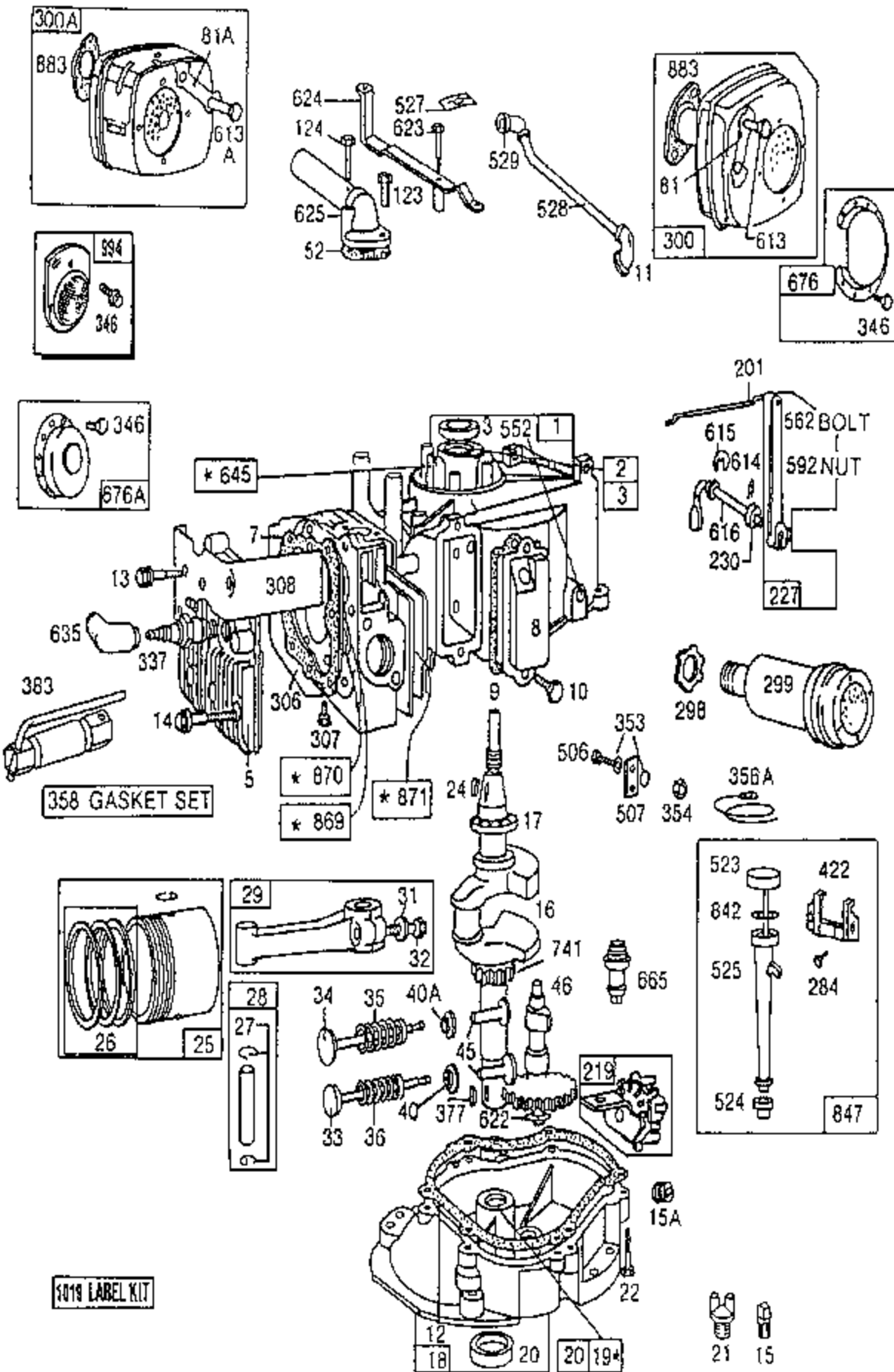
Model Series

131900 to 131999

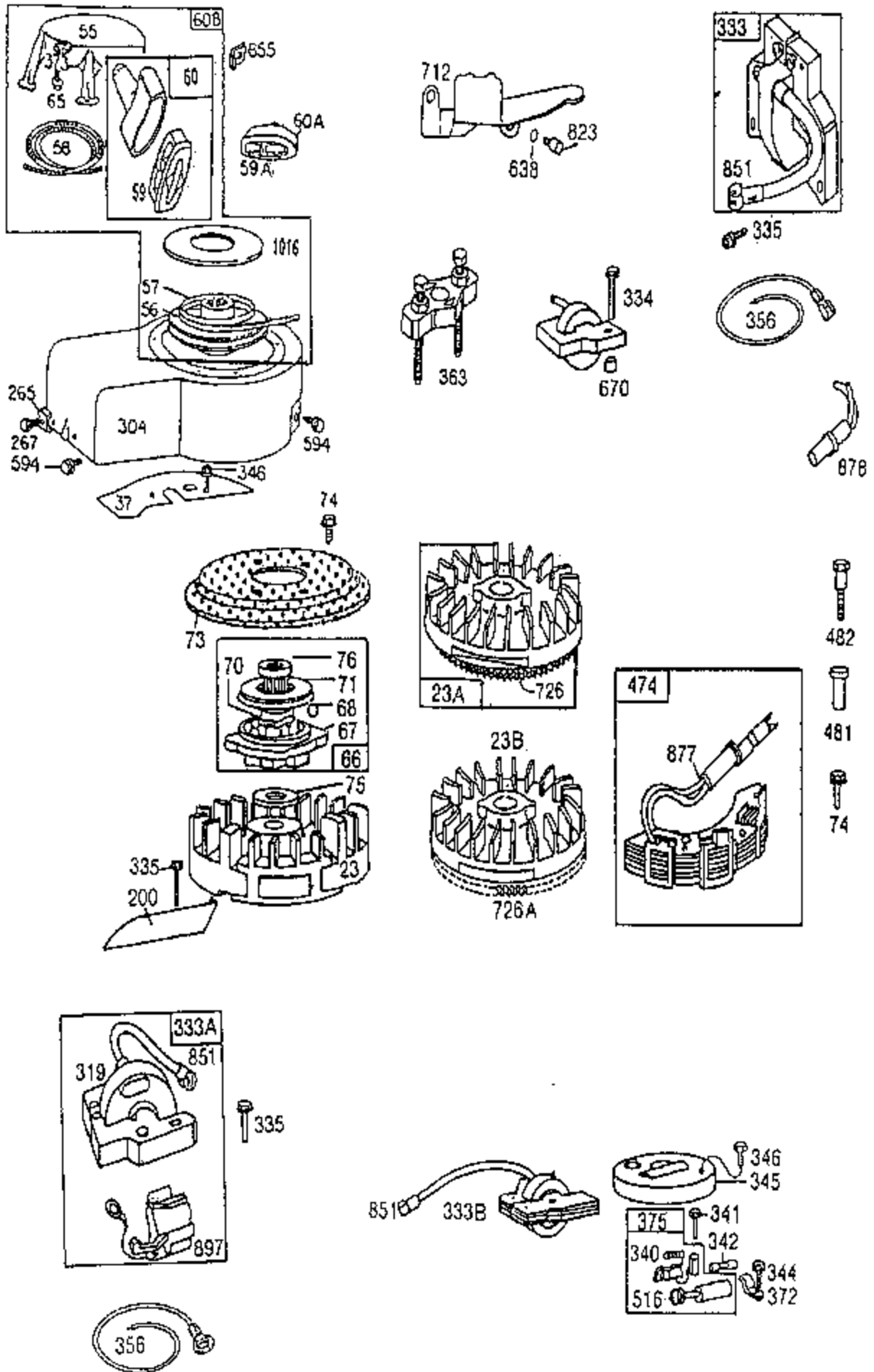
TYPE NUMBERS

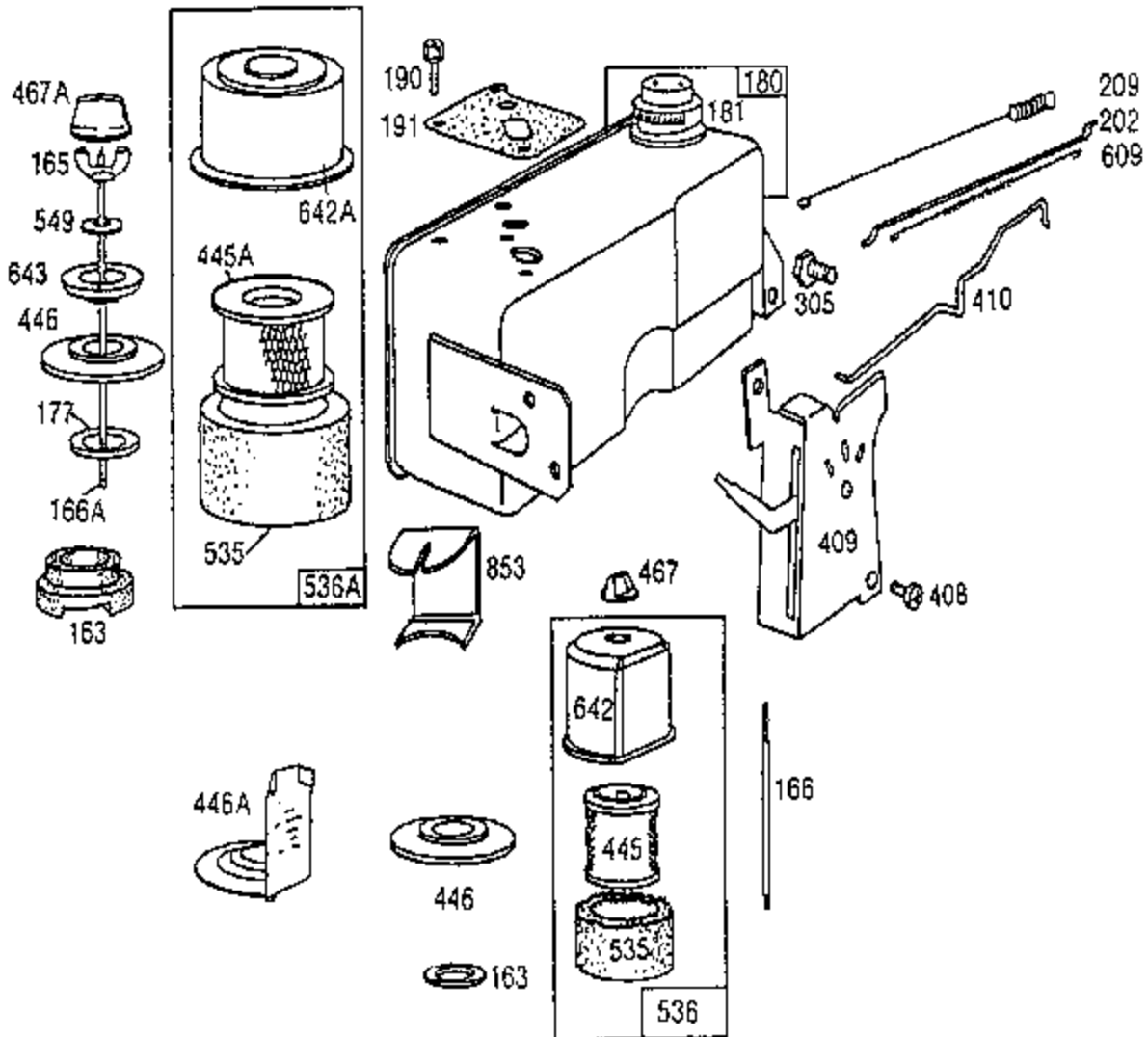
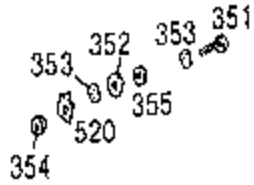
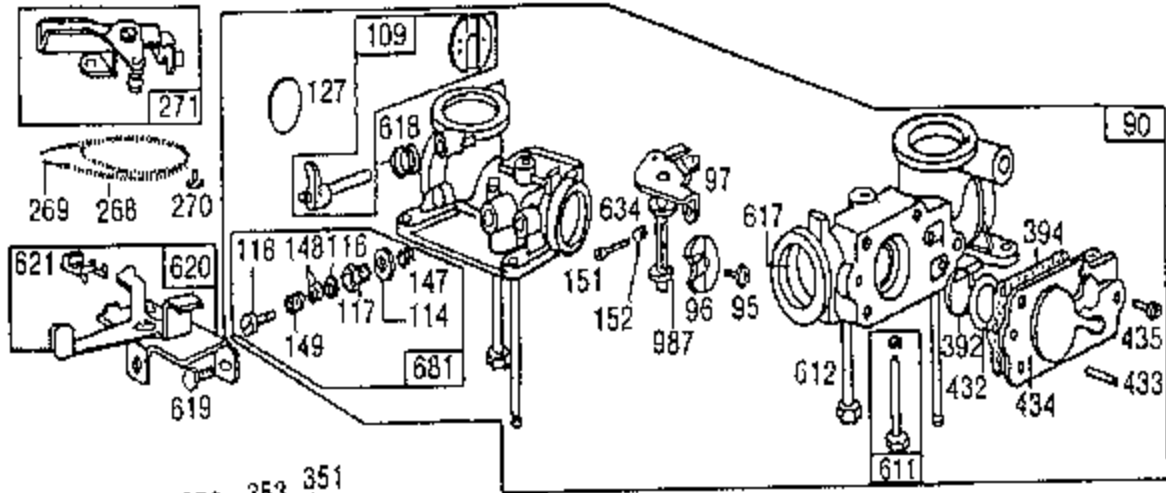
0110 through 0176

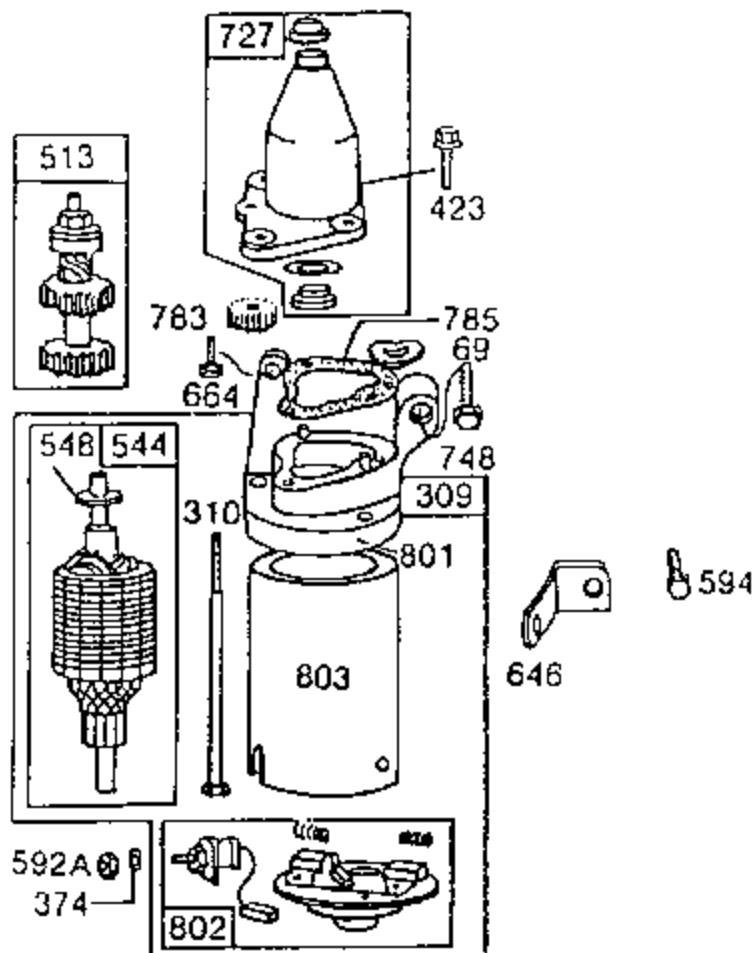
2015 through 2017



\*REQUIRES SPECIAL TOOLS TO INSTALL.  
SEE REPAIR INSTRUCTION MANUAL.







Subject	Ref. No. 309	Ref. No. 544	Ref. No. 803	Ref. No. 802
Starter Motor Mfr.	Motor	Armature Assembly	Housing Assembly	End Cap Assy. Commutator
American Bosch				
12V	390232*	390467	390468	390465

\*Used #92813 Lockwasher and #231082 Hex Nut.

Ref. No. 513	Ref. No. 727	Flywheel Ring Gear Material
Drive Assembly	Drive Housing	
390581	390317	Steel
397645**	394416	Aluminum

\*\*Includes #280311 Starter Cover.

Ref. No. 423	Ref. No. 785	Ref. No. 783	Ref. No. 69	Ref. No. 310	Ref. No. 548	Ref. No. 664	Ref. No. 748	Ref. No. 801
Sem Screw 93654	Gasket 270677	Pinion 230972	Washer 93676	Molor Bolt 93648	Washer 93649	Mtg. Screw 93358	Mtg. Screw 93534	Mounting Head 390318

- 1            393885   Cylinder Assembly
- 2            297565   Bearing-Cylinder  
    Note:   Requires Special Tools  
              for Installation.
- 3            299819   Seal-Oil
- 5            211542   Head-Cylinder
- 7            \*270383   Gasket-Cylinder Head
- 8            297261   Breather-Valve  
              Chamber
- 9            \*27549   Gasket-Valve Cover
- 10           93394   Screw-Breather  
              Mtg. Sem
- 11           67738   Grommet-Breather
- 12           \*270069   Gasket-Crankcase-  
                  .015" Thick (Standard)
- \*270122   Gasket-Crankcase-  
                  .005" Thick
- \*270123   Gasket-Crankcase-  
                  .009" Thick
- 13           93368   Screw-Cylinder Head  
              (2-3/32" Long)  
    Note:   93583 Stud-Cyl. Head  
              22963 Washer  
              Used on Type No.  
              0163.
- 14           93369   Screw-Cylinder Head  
              (2-15/32" Long)  
    Note:   93583 Stud-Cyl. Head  
              22963 Washer  
              Used on Type No.  
              0163.
- 15           91084   Plug-Oil Drain
- 15A          93418   Plug-Oil Drain  
              (Hex. Socket Hd.)
- 16           493769   Crankshaft  
    Note:   To Replace Crankshaft  
              Gear Pin, Order Part  
              No. 230978, Used only  
              With Loose Gear.  
              393941 Crankshaft  
              Used on Type No.  
              0137.  
              394222 Crankshaft  
              Used on Type Nos.  
              0143, 0170.  
              397108 Crankshaft  
              Used on Type Nos.  
              0132, 0135, 0146,  
              0155, 2015.  
              397112 Crankshaft  
              Used on Type No.  
              0140.  
              397114 Crankshaft  
              Used on Type Nos.  
              0111, 0130, 0131,  
              0134, 0139, 0141,  
              0142, 0148, 0149,  
              0151, 0154, 0156,  
              0159, 0162, 0168,  
              0172, 0174, 2017.  
              397283 Crankshaft  
              Used on Type No.  
              0163.  
              397750 Crankshaft  
  
              Used on Type No.  
              0171.

17 99157 Bearing-Ball

18 297587 Sump-Oil

Note: 390575 Sump-Oil  
Used on Type Nos.  
0143, 0163, 0171.

19 297604 Bushing-Oil Sump

Note: Requires Special Tools  
for Installation.

20 391485 Seal-Oil

21 66768 Plug-Oil Filler

22 93032 Screw-Sump Mtg. Sem

23 297229 Flywheel-Magneto

23A 390509 Flywheel-Magneto

23B 394424 Flywheel-Magneto  
(Aluminum Ring Gear)

24 222698 Key-Flywheel

25 393819 Piston Assembly-  
Standard

393820 Piston Assembly-  
.010" O.S.

393821 Piston Assembly-  
.020" O.S.

393822 Piston Assembly-

The Following Piston  
Ring Sets Are Used  
After Code Date  
85042100.

26 399067 Ring Set-Std. Piston

399014 Ring Set-.010" O.S.  
Piston

399015 Ring Set-.020" O.S.  
Piston

399016 Ring Set-.030" O.S.  
Piston

The Following Piston  
Ring Sets Are Used  
Before Code Date  
85042200.

Note: For Chrome Piston  
Ring Set-Standard  
Size-Order Part No.  
299742.

393835 Ring Set-Std. Piston

393836 Ring Set-.010" O.S.  
Piston

393837 Ring Set-.020" O.S.  
Piston

393838 Ring Set-.030" O.S.  
Piston

27 26026 Lock-Piston Pin

28 298909 Pin Assy.-Piston  
(Standard)

298908 Pin Assy.-Piston,  
.005" O.S.

29 299429 Rod Assy.-Connecting

Note: For Connecting Rod  
with .020" Undersize  
Crankpin Bore-Order  
Part No. 390459.

31 222282 Washer-Flat

32 92296 Screw-Connecting Rod

33 262464 Valve-Exhaust  
(Used After Code Date  
90051300)  
260860 Valve Exhaust

(Used Before Code

Date 90051400)

Note: 211119 Valve-Exhaust

Uses:

26478 Spring-Exhaust

Valve

93312 Retainer-Valve

Spring

Used on Type Nos.

0138, 0156, 0167.

34 261044 Valve-Intake

35 260552 Spring-Intake Valve

36 262750 Spring-Exhaust Valve

(Used After Code Date

90051300)

Note: 26826 Spring-Exhaust

Valve

(Used Before Code

Date 90051400).

37 222443 Guard-Flywheel

Note: 222579 Guard-

Flywheel

(Used on Engines with

Electric Start)

40 491442 Rotocap-Exhaust Valve

(Used After Code Date

90051300)

Note: 292259 Rotocap-

Exhaust Valve

Uses:

230126 Pin-Exhaust

Valve Rotocap Retainer

230127 Retainer-

Exhaust Valve Rotocap

(Used Before Code

Date 90051400).

40A 93312 Retainer-Intake Valve

Spring

45 260642 Tappet-Valve

46 212733 Gear-Cam

52 \*270070 Gasket-Intake Elbow

Mounting

55 299431 Housing-Rewind

Starter

56 295871 Pulley-Rewind Starter

57 490179 Spring-Rewind Starter

58 66884 Rope-Rewind Starter

(63" Long)

(For Use With Plastic

Pulley)

If Longer Rope is

Required, Order Part

No. 66894 and Cut to

Length.

59 490653 Insert-Starter Handle

59A 230228 Pin-Starter Rope

60 490652 Handle-Rewind Starter

60A 66728 Grip-Starter Rope

65 93067 Screw-Stamped Steel

Rewind Starter Housing

Mounting

66 399671 Clutch Assembly-

Rewind Starter

67 394897 Housing-Starter Clutch

68 63770 Ball-Clutch

70 298436 Ratchet-Starter Clutch



71	394506	Washer-Clutch Retainer (Rubber Coated)
	Note:	221653 Washer-Clutch Retainer (Non-Coated)
73	221923	Screen-Rewind Starter
74	93490	Screw-Rotation Screen and Rectifier Mtg.
75	220865	Washer-Spring
76	68238	Washer-Ratchet Sealing
81	222263	Lock-Muffler Screw (3/8" Dia. Bolt Holes)
	Note:	222929 Lock-Screw (1/4" Dia. Bolt Holes)
90	396748	Carburetor Assembly (Used After Code Date 83110600).
	Note:	299448 Carburetor Assembly (Used Before Code Date 83110700).
95	93499	Screw-Throttle Valve to Shaft Sem
96	211237	Valve-Throttle
97	299692	Shaft and Lever- Throttle
109	396753	Shaft, Lever and Valve- Choke (Used After Code Date 83110600).
	Note:	390076 Shaft, Lever and Valve-Choke (Used Before Code Date 83110700).
114	.66594	Gasket-Needle Valve Nut
116	.65978	Packing-Needle Valve
117	.230590	Nut-Needle Valve
118	.23433	Valve-Needle
121	494625	Carburetor Overhaul Kit
123	93512	Screw-Intake Elbow Mounting
124	93367	Screw-Intake Elbow Mounting
127	22831	Plug-Welch
147	.230591	Seat-Needle Valve
148	.22235	Washer-Needle Valve
149	.26336	Spring-Needle Valve
151	92634	Screw-Machine, Rd. Hd.
152	260575	Spring-Throttle Adjustment
163	.271139	Gasket-Air Cleaner
165	93856	Nut-Wing
166	231332	Stud-Air Cleaner
166A	231175	Stud-Air Cleaner
177	271077	Gasket Air-Cleaner
180	297257	Tank Assembly-Fuel
181	394818	Cap-Fuel Tank
190	93440	Screw-Fuel Tank Mtg.
191	*.270073	Gasket-Fuel Tank Mounting

- 200 221480 Guide-Air
- 201 260649 Link-Governor
- 202 260654 Link-Throttle
- 209 260703 Spring-Governor

Note: 260711 Spring-Gov.

Used on Type Nos.  
 0130, 0133, 0134,  
 0138. 0140, 0142,  
 0143, 0146, 0147,  
 0149, 0151, 0152,  
 0155, 0156, 0157,  
 0158, 0160, 0161,  
 0166, 0167, 0168,  
 0169, 0176, 2016,

2017.  
 261047 Spring-Gov.

Used on Type Nos.  
 0131, 0132, 0136,  
 0137, 0148, 0150,  
 0153, 0159, 0162,  
 0163, 0165, 0172.

- 219 297249 Oil Slinger Gear,  
 Governor and Bracket
- 227 391967 Lever Assy.-Governor
- 230 222450 Washer-Gov. Crank
- 265 22372 Clamp-Casing
- 267 93469 Screw-Clamp Mtg.
- 268 66986 Casing-Control  
 Wire (48" Long)

Note: If Longer Casing is  
 Needed, Specify Length  
 in Inches; if a  
 Shorter  
 Casing Needed, Order  
 Part No. 66986 and Cut  
 to Required Length.

- 269 26099 Wire-Control  
 (54" Long)

Note: If Longer Wire is  
 Needed, Specify Length  
 in Inches; if Shorter  
 Wire is Needed, Order  
 Part No. 26099 and Cut  
 to Required Length.

- 270 63426 Locknut-Control Wire  
 Casing
- 271 290568 Lever Assy.-Control
- 284 93410 Screw-Clamp Mtg.
- 298 261409 Locknut-Muffler
- 299 393010 Muffler-Exhaust
- 300 393615 Muffler-Exhaust  
 (Lo-Tone)
- 300A 390918 Muffler-Exhaust  
 (Lo-Tone)

Note: 395601 Guard-Muffler  
 Uses:  
 93873 Screw-Sem  
 (Guard to Cyl. Head)  
 94186 Screw-Hex.  
 Head (Guard to  
 Muffler)  
 222289 Washer  
 Used on Type No.  
 0141.

- 304 392277 Housing-Blower

Note: 394918 Housing-

Blower  
Used on Type Nos.  
0143, 0170.

305 93158 Screw-Tank Bracket  
Mounting Sem  
306 221484 Shield-Cylinder  
307 93490 Screw-Sem  
(Used After Code Date  
87020800).

Note: 93042 Screw-Cyl.  
Shield  
(Used Before Code  
Date 87020900).

308 221452 Cover-Cylinder Head  
319 395490 Armature Assy.  
(Less Trigger Coil)  
333 397358 Armature Assembly  
333A 397358 Armature Group  
(Magnetron® Ignition)

333B 298316 Armature-Magneto  
(For Points and  
Condenser)  
334 93613 Screw-Armature  
Mtg. Sem  
335 93414 Screw-Armature  
Mtg. Sem  
337 492167 Plug-Spark  
(1-7/8" High, 48 mm)

Note: 298809 Plug-Spark  
(1-1/2" High, 37 mm)  
293918 Plug-Spark  
(1-1/2" High,  
Resistor Type)

340 26018 Spring-Breaker Arm  
341 93381 Screw-Breaker Arm  
Mounting Sem  
342 65704 Plunger-Breaker Point  
344 93042 Screw-Condenser  
Clamp Mtg. Sem  
345 220366 Cover-Breaker Point  
and Condenser  
346 93490 Screw-Hex. Hd.  
351 91920 Screw-Machine,  
Fillister Hd.  
352 66068 Washer-Insulating  
353 92791 Washer-Lock  
354 90576 Nut-Hex.  
355 66554 Collar-Insulating  
356 398808 Wire-Ground

Note: 398153 Wire-Ground  
Used on Type No.  
0130, 0147, 0166,  
0169.

356A 396585 Wire-Ground  
358 297616 Gasket Set  
363 19069 Puller-Flywheel  
372 220477 Clamp-Condenser  
373 92987 Nut-Hex.  
375 294628 Breaker Points and  
Condenser Set

Note: 299061 Ignition Kit  
Includes:  
294628 Set  
65704 Plunger  
61760 Key-Flywheel  
(For Conversion to

		Magnetron® Ignition Order Part No. 394970)
377	93065	Key-Woodruff
383	89838	Wrench-Spark Plug
392	260455	Spring-Fuel Pump Diaphragm
394	270026	Diaphragm
408	93537	Screw-Sem
409	299509	Housing-Speed Control
410	260948	Link-Speed Control
422	222576	Clamp-Oil Filler Tube
432	221377	Cap-Spring
433	93265	Pin-Diaphragm Cover
434	210959	Cover-Diaphragm
435	93141	Screw-Diaphragm Cover
445	396424	Cartridge-Air Cleaner
445A	392308	Cartridge-Air Cleaner
446	222844	Base-Air Cleaner
446A	395642	Base-Air Cleaner
467	212706	Knob-Air Cleaner
467A	212293	Knob-Air Cleaner
474	394173	Stator Assy.- Alternator
481	230970	Bushing-Stator
482	93639	Screw-Alternator Armature Mounting
506	90200	Screw-Machine, Fillister. Hd.
507	66895	Insulator
516	260374	Spring-Connector
520	93722	Terminal-Spade
523	391840	Cap with Dipstick (Screw Cap)
524	68838	Seal-Oil Filler Tube to Sump
525	280133	Tube-Oil Filler to Sump
527	93376	Clip-Breather Pipe
528	230717	Tube-Breather
529	67608	Grommet-Breather Tube
535	271466	Element-Air Cleaner
536	396397	Cleaner Assy.-Air
536A	392368	Cleaner Assy.-Air
549	271118	Washer-Air Cleaner
552	231078	Bushing-Gov. Shaft
562	92613	Bolt-Governor Lever
592	231082	Nut-Hex.
594	93559	Screw-Blower Housing Mounting Sem
608	390463	Starter Assy.-Rewind
609	260029	Spring-Throttle Link
611	391813	Fuel Pipe and Clip Assembly
612	296811	Pipe-Fuel (Plastic)
613	93935	Screw-Hex. Head Shoulder

Note: 93549 Screw-Hex. Hd.  
(1/4-20)

613A 94042 Screw-Muffler Mtg.  
(Used After Code Date  
82091400).

Note: 93704 Screw-Muffler  
Mounting

- (Used Before Code  
Date 82091300).
- 614 93306 Cotter-Hair Pin
- 615 93307 Retainer-E-Ring
- 616 231076 Crank-Governor
- 617 280393 Seal-Intake  
Elbow Tube
- 618 260648 Spring-Choke Return
- 619 93380 Screw-Control  
Plate Mounting
- 620 297548 Plate Assy.-Remote  
Carburetor Control
- Note: 297457 Plate Assy.-  
Manual Carb. Control  
Used on Type Nos.  
0133, 0134, 0138,  
0139, 0141, 0146,  
0149, 0156, 0159,  
0164, 0173, 0174,  
2015, 2016, 2017.  
391091 Plate Assy.-  
Remote Carb. Control  
Used on Type Nos.  
0130, 0147, 0163,  
0166, 0169, 0176.
- 621 396847 Switch-Stop  
(Used After Code Date  
85061000).
- Note: 297472 Switch-Stop
- (Used Before Code  
Date 85061100).
- 622 260676 Washer-Spring  
(Used Between Cam  
Gear Boss and Oil  
Slinger Bracket)
- 623 231520 Screw-Shoulder  
(Used After Code Date  
87020500).
- Note: 93838 Screw-Shoulder  
(Used Before Code  
Date 87020600).
- 624 297252 Lever-Linkage
- 625 297254 Elbow and Tube-Intake
- 634 271853 Washer-Throttle Shaft  
(Foam)
- Note: 270167 Washer-  
Throttle Shaft  
(Felt)
- 635 66538 Elbow-Spark
- 638 93713 Washer-Lock
- 642 223306 Cover-Air Cleaner
- 642A 222626 Cover-Air Cleaner
- 643 222845 Cup-Air Cleaner
- 645 23513 Bushing-Plunger
- 646 222162 Bracket-Starter Motor
- 655 222598 Anchor-Spring
- 665 296768 Oil Minder
- 670 261065 Spacer-Armature
- 676 393757 Deflector-Exhaust
- Note: 393758 Deflector-  
Exhaust  
Used on Type No.  
0157.
- 676A 395700 Deflector-Exhaust
- 681 299060 Needle Valve Kit
- 712 222491 Guard-Ring Gear

726	494548	Gear-Ring (Includes Mtg. Hardware)
726A	397644	Gear-Ring (Includes Mtg. Screws) Used With Flywheel Ref. 23B Only.
741	261696	Gear-Timing
823	93712	Screw-Socket Head
842	270920	Seal-Filler Cap
847	392066	Dipstick and Tube Assembly
851	221798	Cable Terminal- Ignition
853	396763	Brace-Air Cleaner
869	211787	Seat-Intake Valve (Standard)
870	211436	Seat-Exhaust Valve (Cobalite®)
871	262001	Guide-Exhaust Valve
Note:	63709	Guide-Intake Valve
877	393854	Diode and Connector Assembly
878	393422	Alternator Harness Assembly
883	270918	Gasket-Exhaust
897	394970	Trigger Coil- Magnetron® Ignition
987	398970	Seal-Throttle Shaft (Used After Code Date 85102000).
994	399541	Arrester-Spark
1016	490817	Spacer
1019	491101	Label Kit

\*Included in Gasket Set-  
Part No. 297616.

·Included in Carburetor Overhaul Kit-  
Part No. 494625.