

FORM MS-8681

1/86

Industrial/Commercial

Model Series

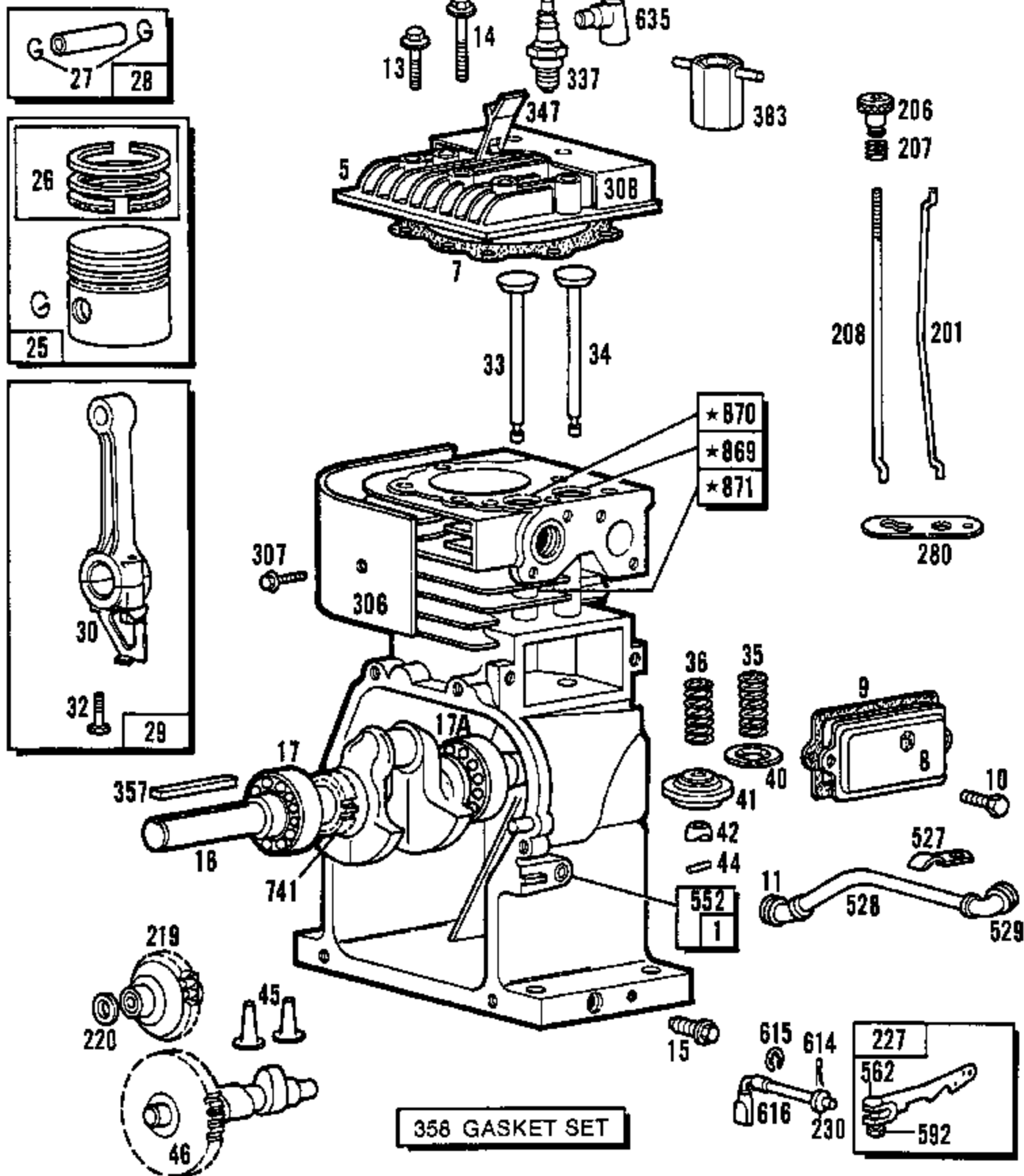
131200 to 131299

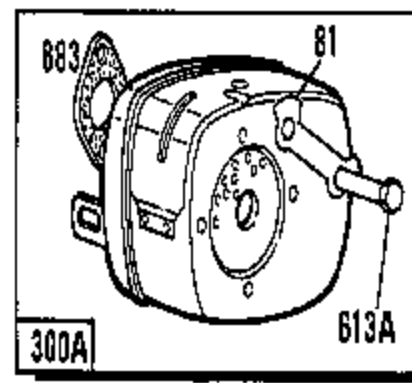
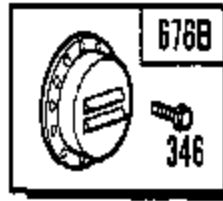
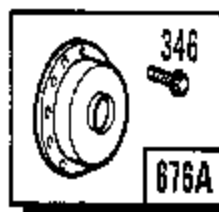
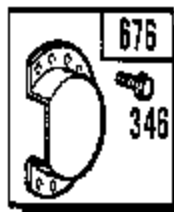
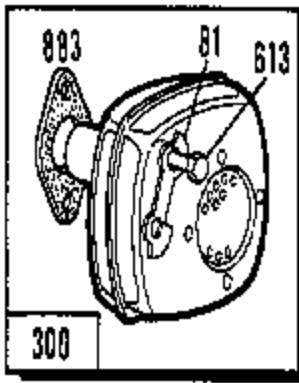
TYPE NUMBERS

0410 through 0416

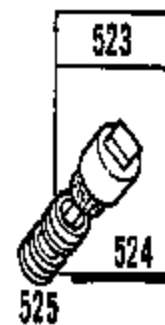
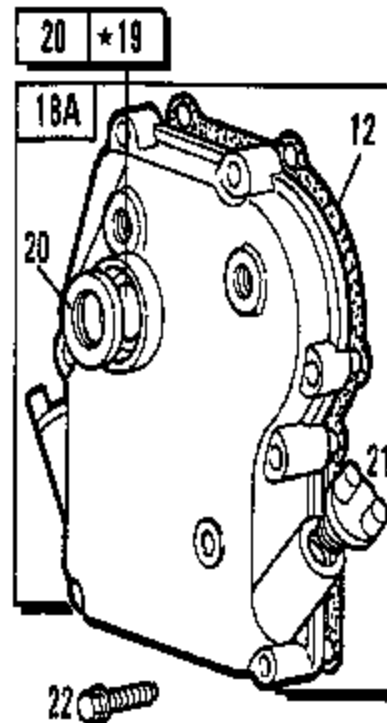
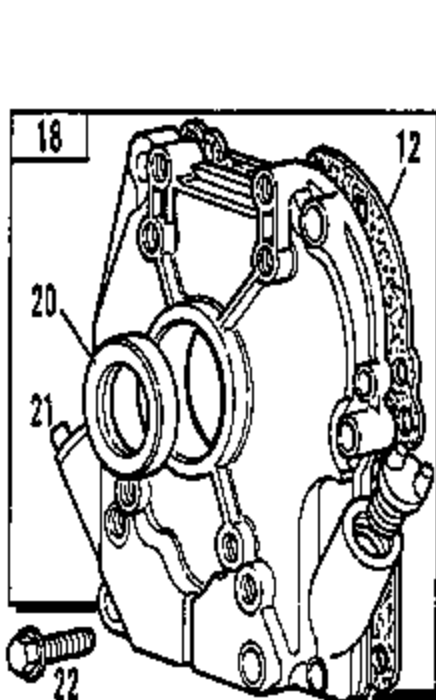
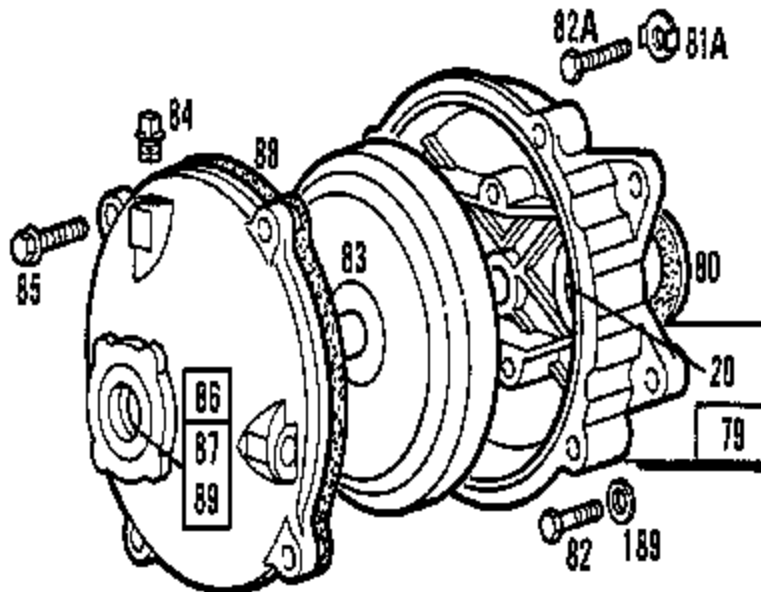
0418, 0419, 2124

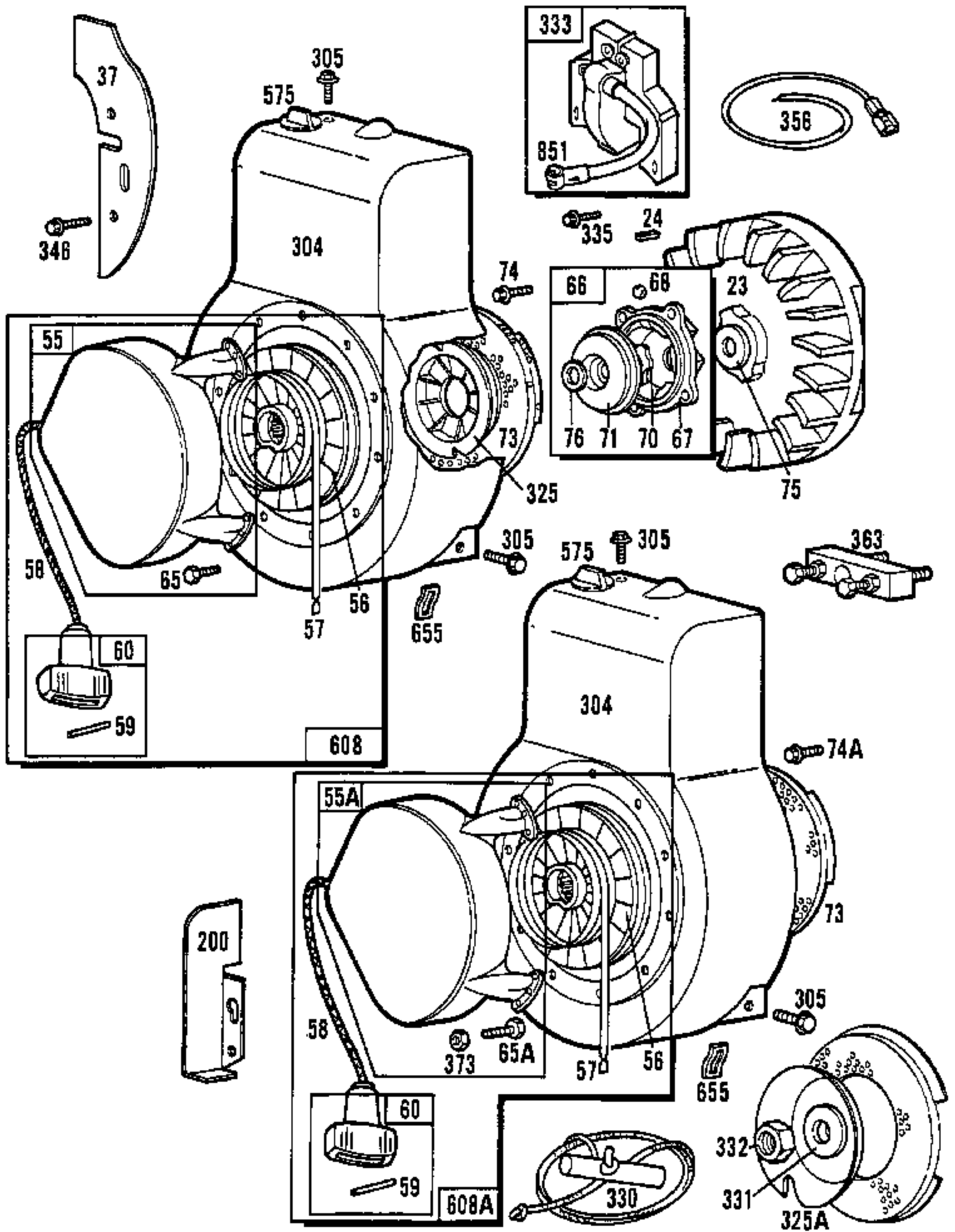
and 2136

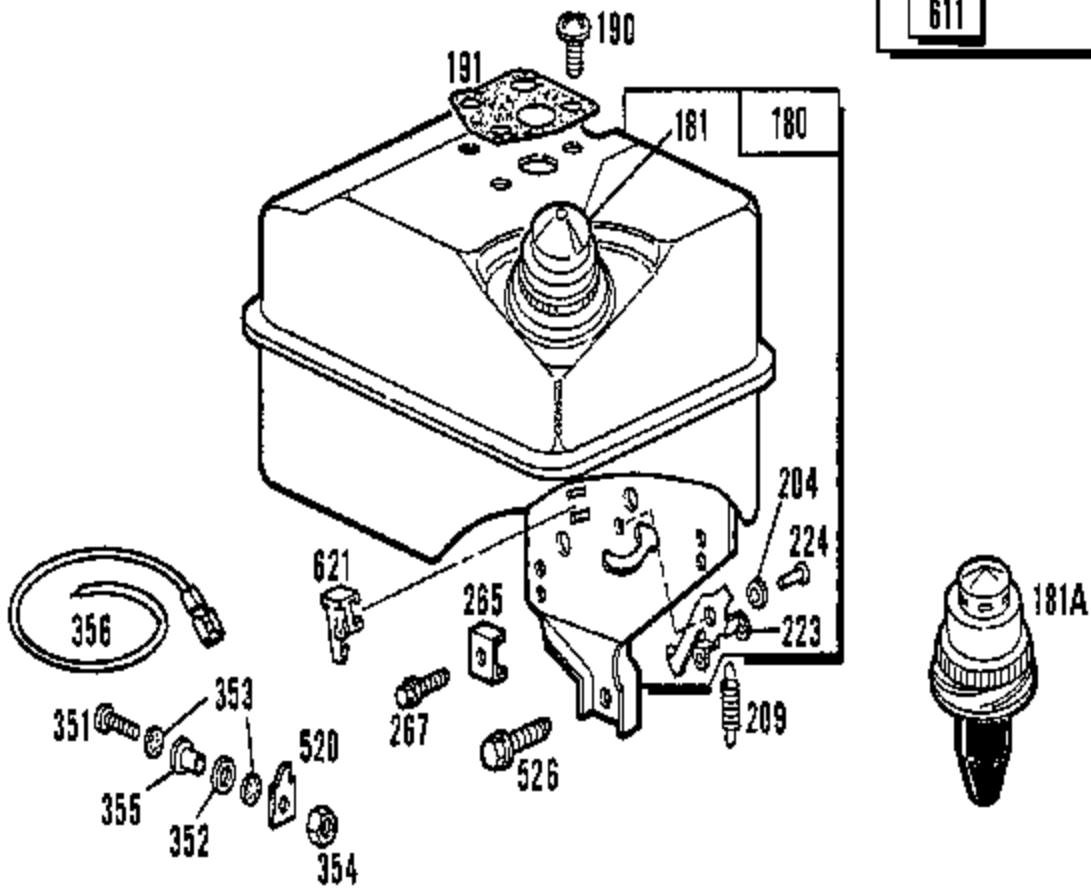
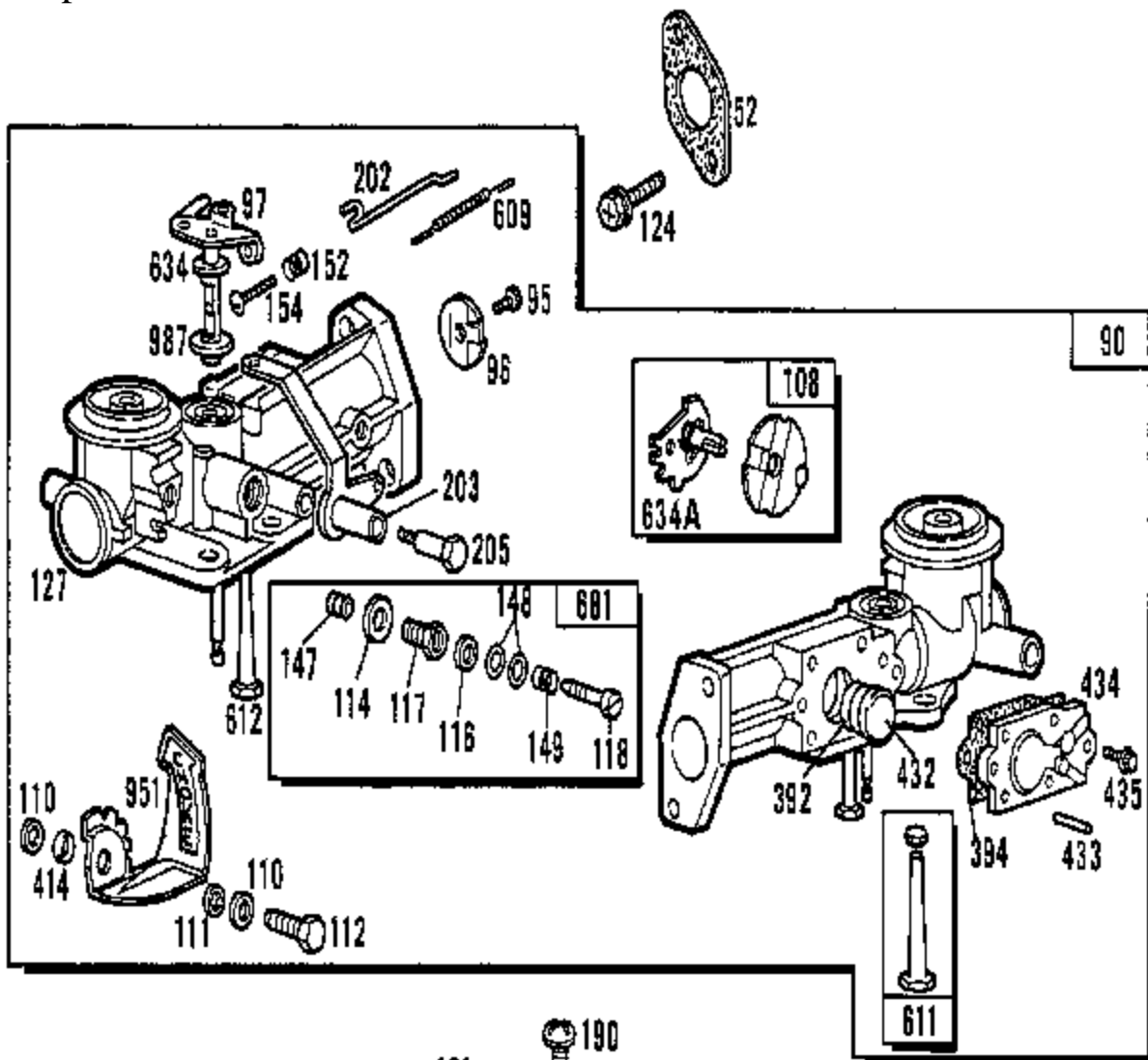


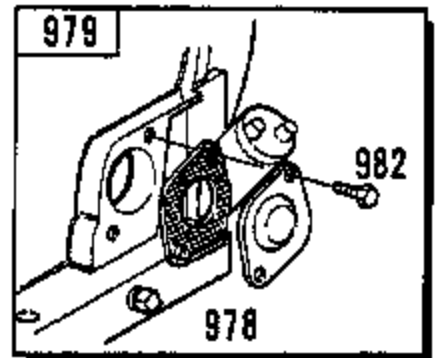
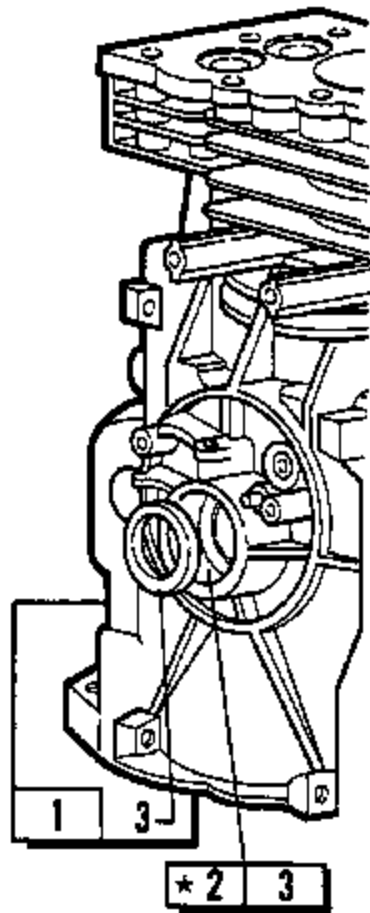
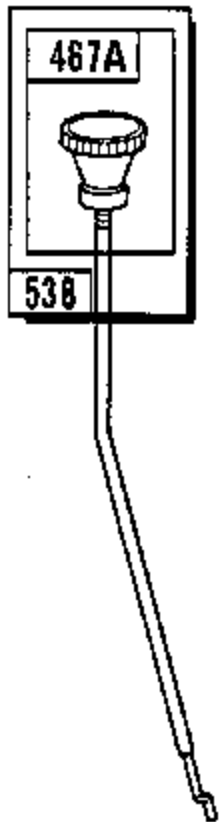
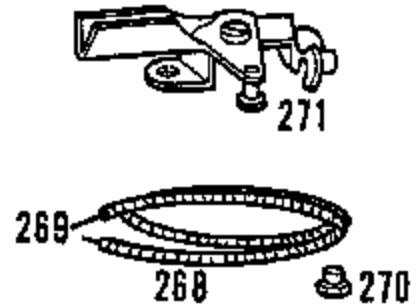
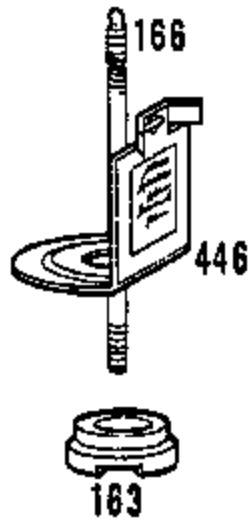
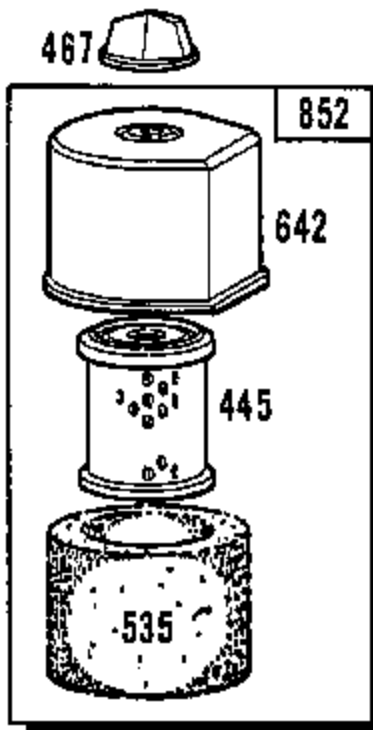


*REQUIRES SPECIAL TOOLS TO INSTALL.
SEE REPAIR INSTRUCTION MANUAL.









*REQUIRES SPECIAL TOOLS TO INSTALL.
SEE REPAIR INSTRUCTION MANUAL.

1 397673 Cylinder Assembly
 2 297565 Bushings--Cylinder
 Note: Requires special tools
 for installation.
 3 299819 Seal--Oil
 5 211542 Head--Cylinder
 7 *270383 Gasket--Cylinder Head
 8 294178 Breather--Valve
 Chamber
 9 *27549 Gasket--Valve Cover
 10 93394 Screw--Breather Mtg.
 Sem
 11 66578 Grommet--Breather
 Tube
 12 270080 Gasket--Crankcase--
 .015" thick (Standard)
 *270125 Gasket--Crankcase--
 .005" thick
 *270126 Gasket--Crankcase--
 .009" thick
 13 93368 Screw--Cylinder Head
 (2-3/32" long)
 Note: 93583 Stud--Cylinder
 Head
 22963 Washer
 Used on Type No.
 0411.
 14 93369 Screw--Cylinder Head
 (2-15/32" long)
 Note: 93583 Stud--Cylinder
 Head
 22963 Washer
 Used on Type No.
 0411.
 Note: 94174 Plug--Magnetic
 Pipe (For OIL GARDä)
 15 91249 Plug--Pipe, 1/4" Std.,
 Square Head
 16 397092 Crankshaft
 Note: To Replace Crankshaft
 Gear Pin, Order Part
 No.230978.
 397084 Crankshaft
 Used on Type No.
 0403.
 397086 Crankshaft
 Used on Type Nos.
 0411, 0412.
 397090 Crankshaft
 Used on Type No.
 0410.
 397094 Crankshaft
 Used on Type Nos.
 0402, 2124.
 17 99158 Bearing--Ball
 (P.T.O. Side)
 17A 99157 Bearing--Ball
 (Magneto Side)
 18 298204 Cover Assembly--
 Crankcase
 (Ball Bearing)
 18A 298517 Cover Assembly--
 Crankcase
 (Plain Bearing)
 Note: 298183 Cover Assy.--

Crankcase
Used on Type No.
0403.

19 297603 Bushing--Crankcase
Cover

Note: Requires special tools
for installation.

20 294606 Seal--Oil

Note: 393812 Seal--Oil
Used on Model
131231, 131232,
131233, 131235,
131236, 131237
Series Engines.
391484 Seal--Oil
Used on the Auxiliary
P.T.O. Shaft on
Type No.
0403.

21 66768 Plug--Oil Filler

22 93032 Screw--Crankcase
Cover Mounting Sem

23 297229 Flywheel--Magneto

24 222698 Key--Flywheel
(For MAGNETRON®
Ignition)

Note: 61760 Key--Flywheel
(For Breaker Ignition
System)

25 393819 Piston Assy.--Standard

393820 Piston Assy.--.010" O.
S.

393821 Piston Assy.--.020" O.
S.

393822 Piston Assy.--.030" O.
S.

The Following Piston
Ring Sets Are Used
After Code Date
85042100.

26 399067 Ring Set--Std. Piston

399014 Ring Set--.010" O.S.
Piston

399015 Ring Set--.020" O.S.
Piston

399016 Ring Set--.030" O.S.
Piston

The Following Piston
Ring Sets Are Used
Before Code Date
85042200.

Note: For Chrome Piston Ring
Set--Standard Size--
Order Part No.299742.

393835 Ring Set--Standard
Piston

393836 Ring Set--.010" O.S.
Piston

393837 Ring Set--.020" O.S.
Piston

393838 Ring Set--.030" O.S.
Piston

27 26026 Lock--Piston Pin

28 298909 Pin Assembly--Piston--
Standard

298908 Pin Assembly--Piston--

.005" O.S.

29	299430	Rod Assy.--Connecting
	Note:	For Connecting Rod with .020" undersize Crankpin Bore-- Order No.390459.
30	221890	Dipper--Connecting Rod
32	92296	Screw--Connecting Rod
33	260860	Valve--Exhaust
34	261044	Valve--Intake
35	260552	Spring--Intake Valve
36	26826	Spring--Exhaust Valve
37	222443	Guard--Flywheel
40	93312	Retainer--Intake Valve Spring
41	292259	Rotocap--Exhaust Valve
42	230127	Retainer--Exhaust Valve Rotocap
44	230126	Pin--Exhaust Valve Rotocap Retainer
45	260642	Tappet--Valve
46	212733	Gear--Cam
	Note:	211284 Gear--Cam Used on Type No. 0403.
52	*27355	Gasket--Carburetor Mounting (2)
55	397123	Housing--Rewind Starter
55A	299431	Housing--Rewind Starter
56	295871	Pulley--Rewind Starter (Includes 63" long rope) If longer rope is re- quired, order rope No. 66894 and cut to length.
57	294303	Spring--Rewind Starter
58	66884	Rope--Rewind Starter-- 63" long If longer rope is re- quired, order rope No. 66894 and cut to length.
59	230228	Pin--Starter Grip
60	66728	Grip--Starter Rope
65	94063	Screw--Housing Mtg. Sem
65A	94128	Screw--Housing Mtg.
66	394558	Clutch Assembly-- Rewind Starter
67	394897	Housing--Rewind Starter Clutch
68	63770	Ball--Clutch
70	298799	Ratchet--Rewind Starter Clutch
71	221653	Washer--Clutch Retainer
73	221923	Screen--Starter Pulley
74	94062	Screw--Hex Head Used to Mount Ref. 325 Pulley.
74A	93490	Screw--Sem
75	220865	Washer--Spring

76	68238	Washer--Ratchet Sealing
79	290779	Case Assembly--Gear
80	27667	Gasket--GearCase
81	222263	Lock--Screw
81A	220234	Lock--Screw
82	91541	Screw--Cap, Hex. Hd.-- 5/16-24 x 7/8"
82A	92279	Screw--Cap, Hex. Hd.-- 5/16-24 x 1-1/2"
83	211293	Shaftand Gear--Drive
84	92617	Plug--Breather
85	92747	Screw--Gear Case Mounting Sem
86	291730	Cover Assembly-- Gear Case
87	19011	Seal--Oil
88	27313	Gasket--Gear Case Cover
89	93448	Plug--Oil Drain
90	397135	Carburetor Assembly
95	93499	Screw--Throttle Valve to Shaft Sem
96	211203	Throttle--Carburtor
97	299212	Shaft and Lever-- Throttle
108	397134	Valve Group--Choke
110	221226	Washer--Choke Lever
111	94060	Washer--Wave
112	93686	Screw--Choke Lever
114	66594	Gasket--Needle Valve Nut
116	65978	Packing--Needle Valve
117	230590	Nut--Needle Valve
118	23433	Valve -Needle
124	93357	Screw--Hex. Head
127	22831	Plug--Welch
147	230591	Seat--Needle Valve
148	22235	Washer--Needle Valve (2)
149	26336	Spring--Needle Valve
152	260575	Spring--Throttle Adjustment
154	93527	Screw--Machine, Rd. Hd.--5-40 x 5/8"
163	271139	Gasket--Air Cleaner Mounting
166	231332	Stud--Air Cleaner
180	397137	Tank Assembly--Fuel
181	394818	Cap--Fuel Tank
181A	397567	Cap--Fuel Tank
189	90366	Washer--Lock, 5/16 x 1/8 x 1/16
190	93440	Screw--Fuel Tank Mounting Sem
191	*271592	Gasket--Fuel Tank Mounting
200	221480	Guide--Air
201	261558	Link--Governor
202	260678	Link--Throttle
203	393919	Assembly--Bell Crank and Bushing
204	222962	Bushing--Governor Lever (Flat)

Note: 230943 Bushing--
Governor Lever

		Used on Type Nos. 0411, 0412.
205	93838	Screw--Shoulder
206	231266	Nut--Control Rod
207	26855	Spring--Control Rod
208	261985	Rod--Control
209	260695	Spring--Governor
219	391737	Gear--Governor
220	221551	Washer--Thrust
223	221517	Lever--Governor Control
224	93491	Rivet--Governor Control

Lever Mounting

Note: 93440 Screw--Sem
Used with 230943
Bushing (1/2" dia.
Flange) and
93569 Spring Washer
Used on Type Nos.
0411, 0412.

227	393920	Lever Assembly-- Governor
230	222450	Washer--Governor Lever
265	221535	Clamp--Casing
267	93496	Screw--Sem
268	66986	Casing--Control Wire-- 48" long

Note: If longer casing is
needed, specify length
in inches; if a
shorter
casing is needed,
order
No. 66986 and cut to
required length.

269	26099	Wire--Control, 54" long
-----	-------	----------------------------

Note: If longer wire is
needed,
specify length in
inches;
if shorter wire is
needed,
order No. 26099 and
cut
to required length.

270	63426	Locknut--Control Wire Casing
271	290568	Lever Assembly-- Control
280	223236	Strap--Control Rod

Note: 230944 Guide--Control
Rod
Used in 223236 Strap
on Type Nos.
0416, 2124, 2136.
390341 Strap--Control
Rod
Used on Type Nos.
0411, 0412.

300	393615	Muffler--Exhaust (Lo-Tone)
300A	391313	Muffler--Exhaust
304	397719	Housing--Blower

Note: 299410 Housing--

Blower
Used on Type No.
0414.398345 Housing--
Blower
Used on Type Nos.
0400, 0410, 0411,
2136.

305 93158 Screw--Blower
Housing Mounting

306 221511 Shield--Cylinder

307 93042 Screw--Cylinder Shield
Mounting Sem

308 221512 Cover--Cylinder Head

325 280457 Pulley--Rope Starter

325A 299421 Starter Pulley with
Screen

330 69932 Rope--Starter

331 220865 Washer--Flywheel

332 92284 Nut--Flywheel

333 397358 Armature--Magneto

335 93414 Screw--Armature
Mounting Sem

337 298809 Plug--Spark
1-1/2" High--
37-42 M.M.

Note: 293918 Plug--Spark
1-1/2"--37 M.M.
(Resistor Type)

346 93705 Screw--Sem

347 220884 Switch--Stop
(For 1-1/2" High--
37 & 42 M.M. Spark
Plugs)

351 93735 Screw--Terminal
(Truss Hd.)

352 66068 Washer--Insulating

353 92791 Washer--Lock--
Shakeproof (3)

354 90576 Nut--Hex.--8-32
(2)

355 66554 Collar--Insulating

356 398874 Wire--Ground

Note: 398808 Wire--Ground
Used on Type No.
0414.

357 91539 Key

358 397145 Gasket Set

363 19069 Flywheel Puller
(Optional Accessory)

373 92987 Nut--Hex

383 89838 Wrench--Spark Plug

392 260455 Spring--Fuel Pump
Diaphragm

394 270026 Diaphragm

414 231325 Spacer

432 221377 Cap--Spring

433 93265 Pin--Diaphragm Cover

434 210959 Cover--Diaphragm

435 93141 Screw--Diaphragm
Cover

445 396424 Cartridge--Air Cleaner

446 395642 Base--Air Cleaner

467 212706 Knob--Air Cleaner

467A 391908 Knob--Choke Rod

523	297357	Cap--Oil Filler
524	65304	Gasket--Oil Filler Cap
525	91258	Nipple--Oil Filler
		Uses:
		394884 Adaptor--Oil Filler Pipe
526	93343	Screw--Tank Bracket Mounting Sem
527	221514	Clamp--Breather Tube
528	231328	Tube--Breather
529	67838	Grommet--Breather Tube
535	271466	Element--Air Cleaner
538	390756	Rod--Control
552	231079	Bushing--Governor Crank
562	92613	Bolt--Governor Lever
575	396691	Stop Switch--Rotary
592	231082	Nut--Hex.--10-24
608	397124	Starter Assembly--Rewind
608A	390463	Starter Assembly--Rewind
609	260694	Spring--Throttle Link
611	391813	Fuel Pipe and Clip Assembly
612	296811	Pipe--Fuel
613	93935	Screw--Hex. Hd. Shoulder
613A	94042	Screw--Muffler Mtg.
614	93306	Cotter--Hair Pin
615	93307	Retainer--E-Ring
616	231077	Crank--Governor
621	297472	Switch--Stop
634	271853	Washer--Throttle Shaft (Foam)

Note: 270167 Washer--Throttle Shaft (Felt)

634A	270382	Washer--Choke Shaft
635	66538	Elbow--Spark Plug
642	223306	Cover--Air Cleaner
655	222598	Anchor--Spring
676	393757	Deflector--Exhaust (Side Outlet)
676A	395700	Deflector--Exhaust (Direct Outlet)
676B	393758	Deflector--Exhaust (Louvered Outlet)
681	299060	Needle Valve Kit
741	261696	Gear--Timing (Plain Bearing)

Note: 262060 Gear--Timing (Ball Bearing)

851	221798	Cable Terminal--Ignition
852	396397	Cleaner Group--Air
869	211787	Seat--Intake Valve (Standard)
870	211436	Seat--Exhaust Valve (Standard)
871	262001	Guide--Exhaust Valve

Note: 63709 Guide--Intake Valve (Brass)
See Repair Instruction Manual.

883	270918	Gasket--Muffler
951	223286	Lever--Choke
978	271736	Gasket--Cover
979	398194	Cover--OilGardTä
982	94139	Screw--Hex Head
987	398970	Seal--Throttle Shaft (Used after Code Date 85071400)

*Included in Gasket Set-
Part No. 397145.