

130200 to 130299

Illustrated Parts List

Model Series

130200 to 130299

TYPE NUMBERS

1503, 1506,
1515 through 1525
1535 through 1543
1549, 1570, 1571,
1575, 1601, 1602,
1610 through 1617
1630 through 1939
2100 through 2204
2207, 2208,
5101, 5102, 5111,
5112,
5130 through 5151

TO FIND

**THE CORRECT NUMBER OF THE PART YOU NEED:
FOLLOW THE INSTRUCTIONS BELOW**

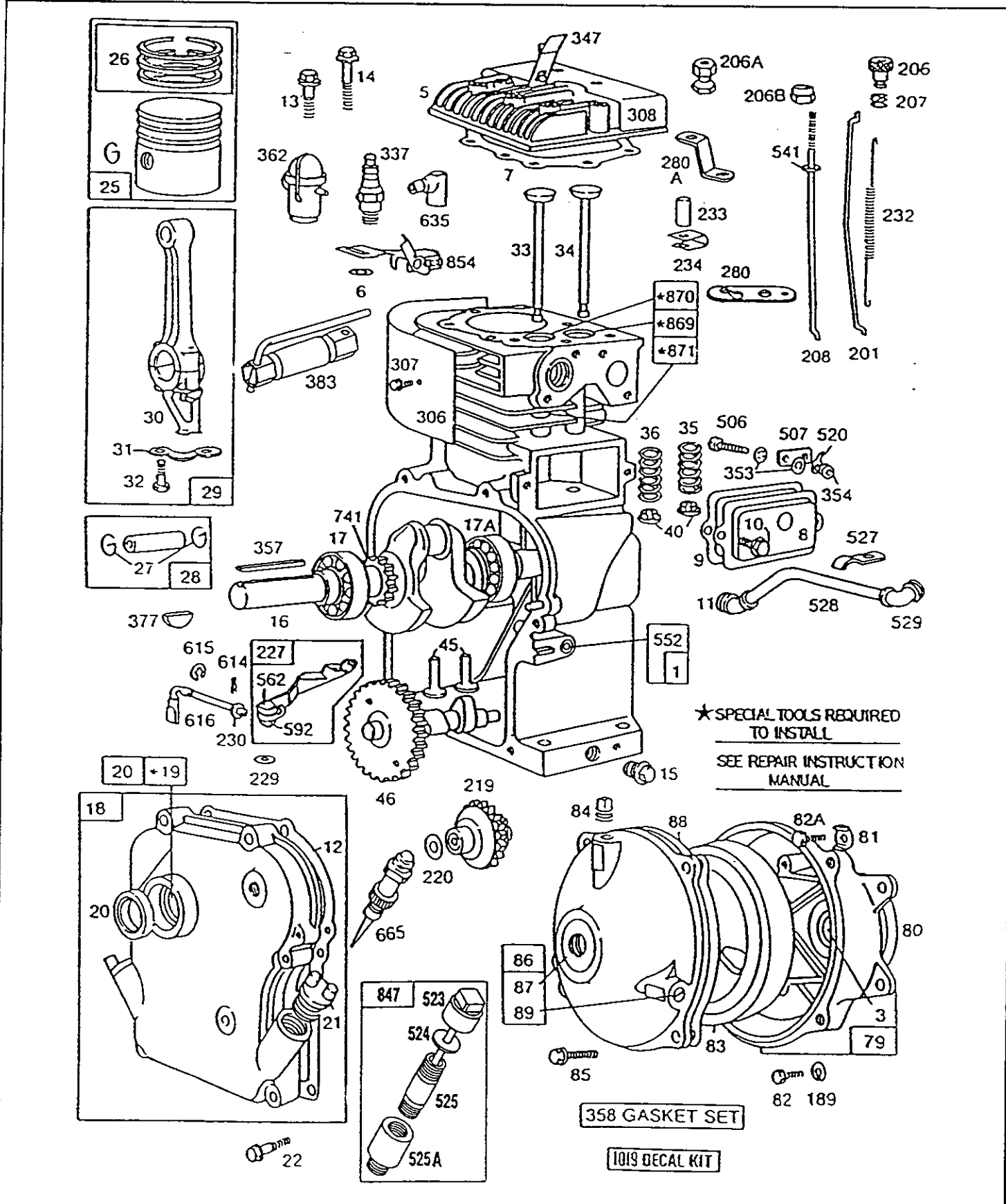
- A. Refer to Engine Model, Type and Code Number that is stamped on the blower housing of engine. Engine type numbers such as 0123 01 are listed only as 0123 in most instances. The two digits (01 or 02, etc.) to the right of the space may be required for more accurate parts identification in some instances. Select the Illustrated Parts List covering the correct Model Series and Type Number.
- B. Refer to the Illustrations and compare the original part with illustration. The number next to the illustration is the Reference Number. Assemblies include all parts shown in frames. All parts shown in assembly frames having individual reference numbers can be purchased separately.
- C. After the Reference Number has been identified, refer to the Numerical text, where Reference and Primary Part Number are listed. **THE PRIMARY PART IS USED ON ALL TYPE NUMBERS EXCEPT THOSE TYPE NUMBERS UNDER "NOTE."**
- D. If a "Note" appears below the Primary Part Number, it means that this part differs from the Primary Part for certain types. If your Type number is listed under "Note," order the part referred to at the "Note."
- E. If your Engine Type Number does not appear after any part number listed under "Note," use the Primary Part Number.
- F. For Engine Type Numbers not covered by this book, check other Parts Lists having the same engine model or contact your source of supply.

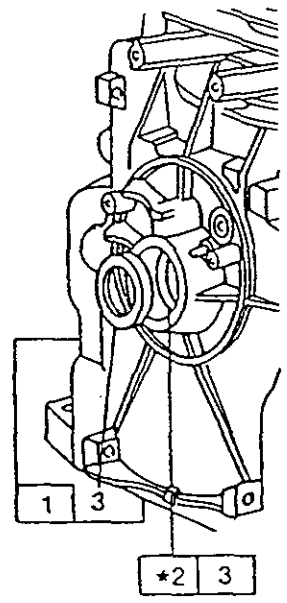
PRINTED IN U.S.A.

COPYRIGHT©

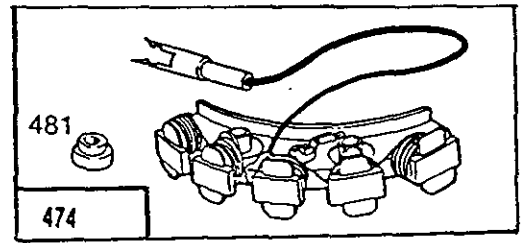
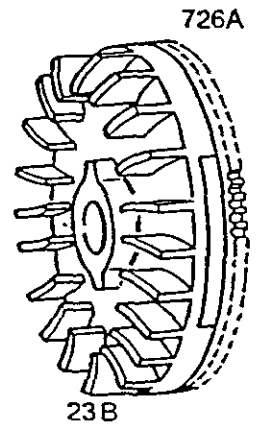
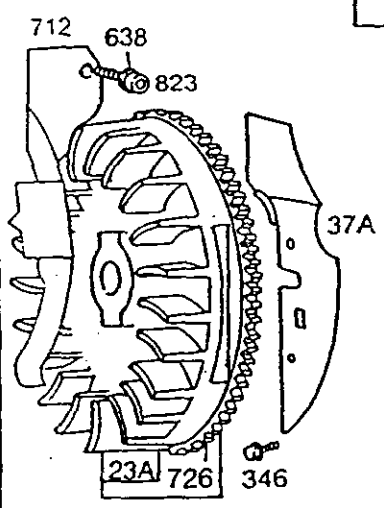
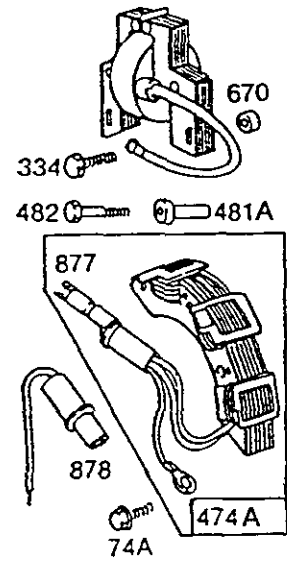
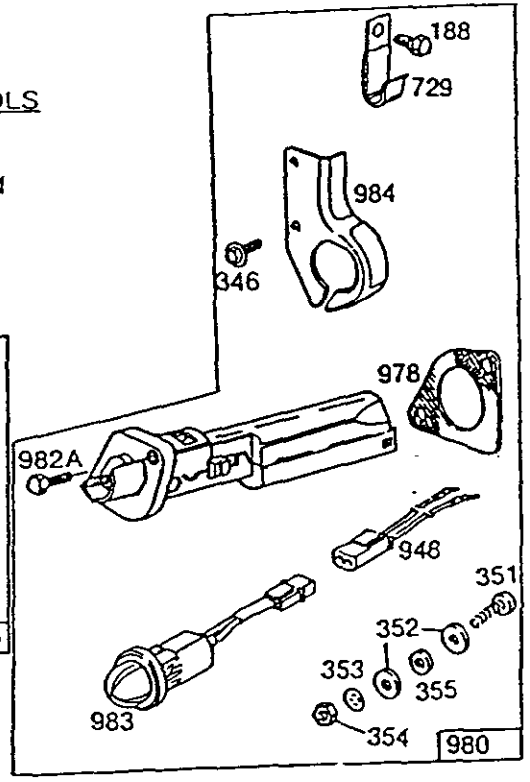
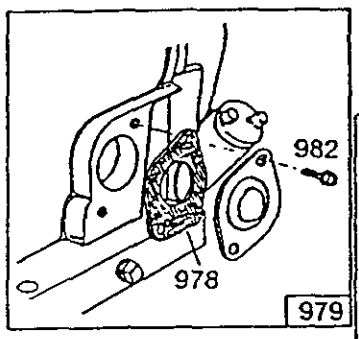
**BRIGGS & STRATTON**

130200 to 130299

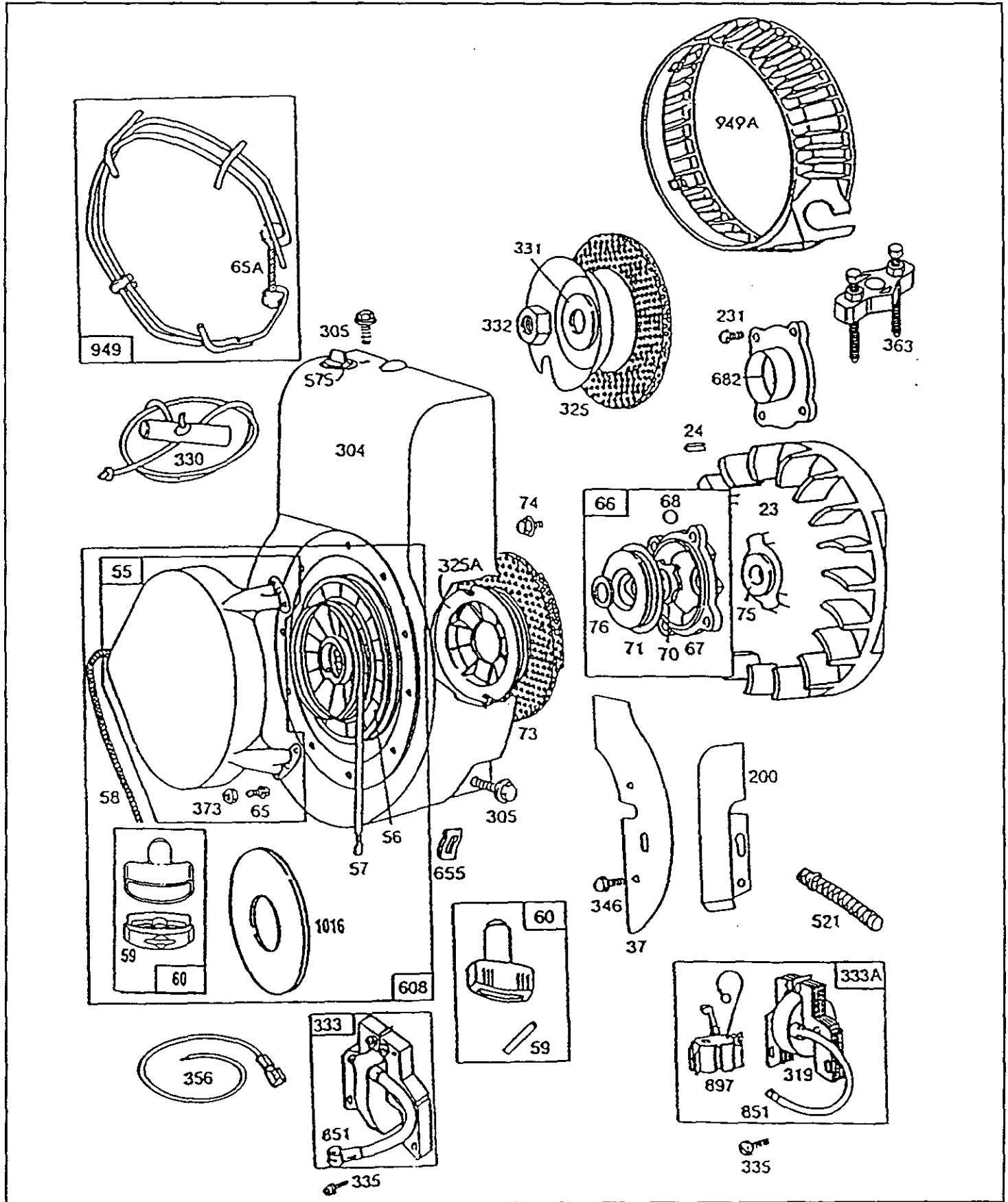


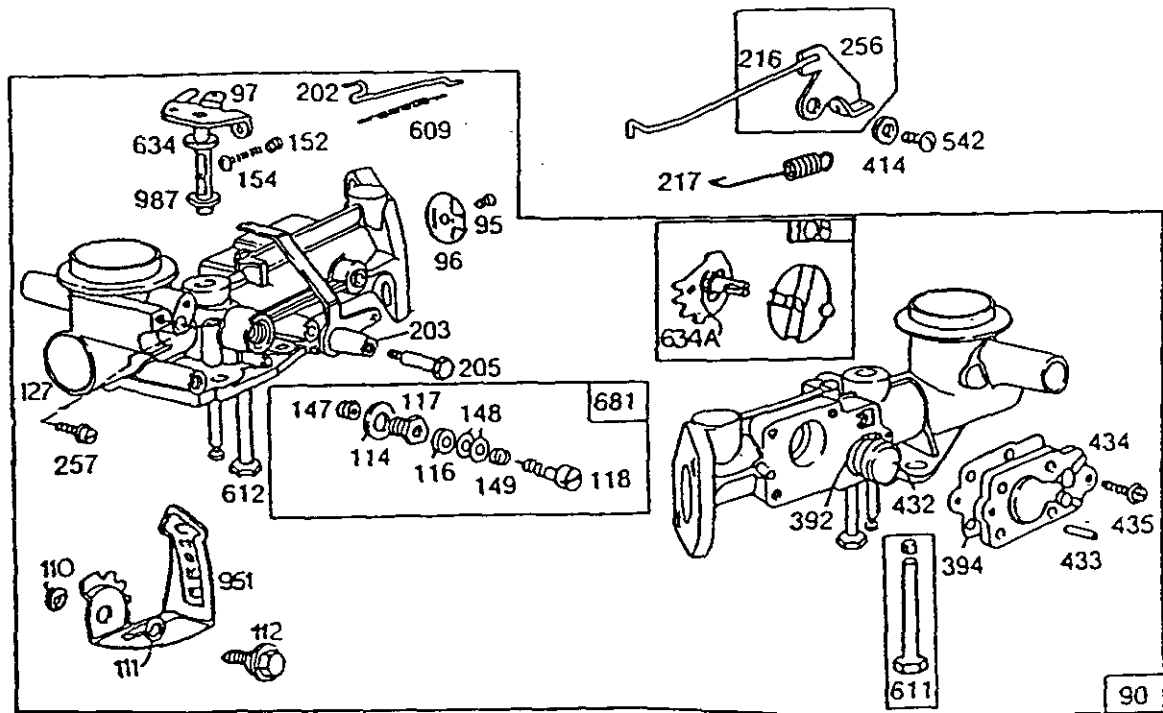


***REQUIRES
SPECIAL TOOLS
TO INSTALL.
SEE REPAIR
INSTRUCTION
MANUAL.**

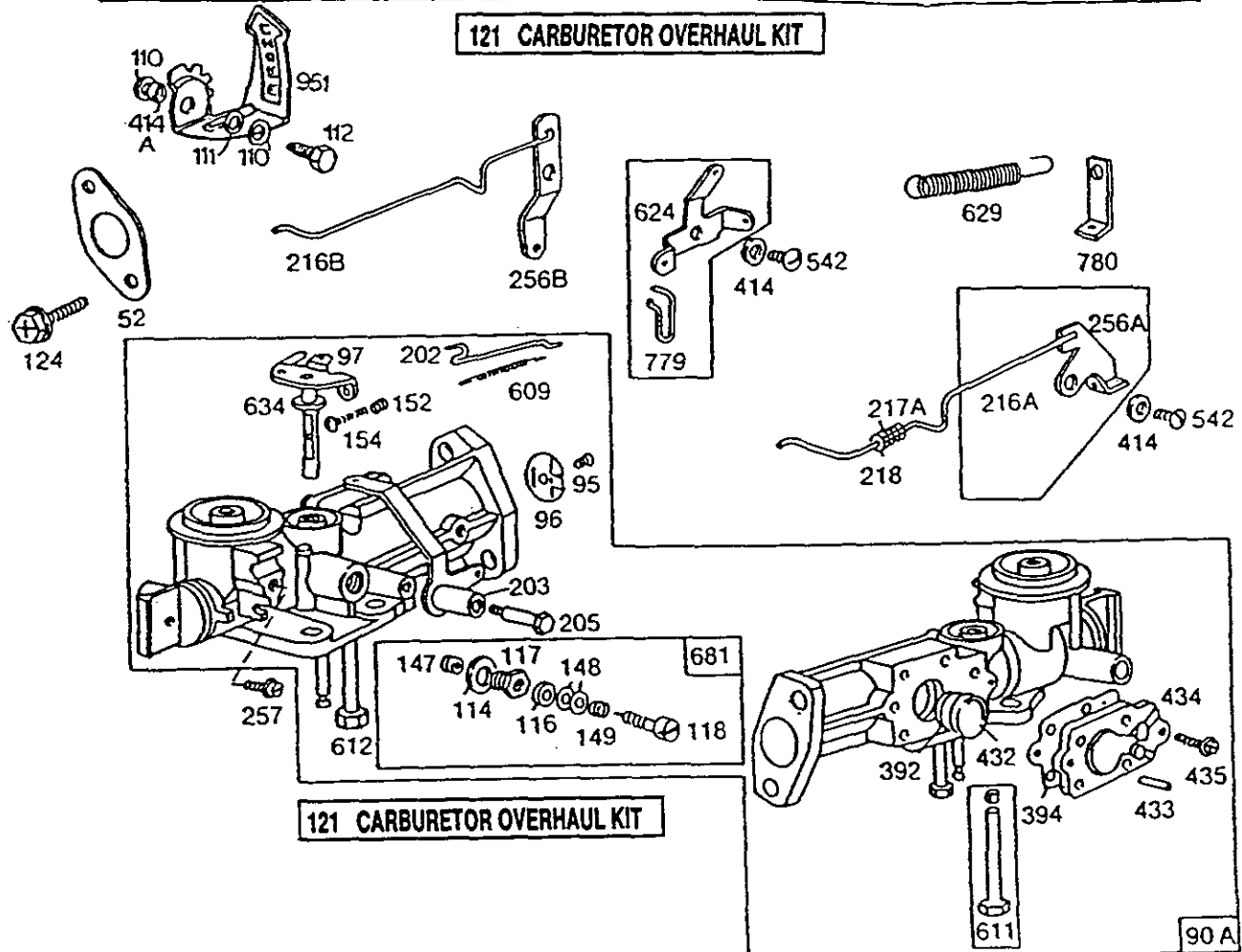


130200 to 130299



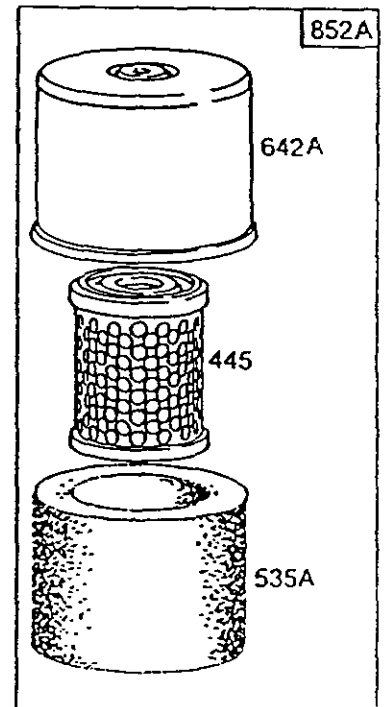
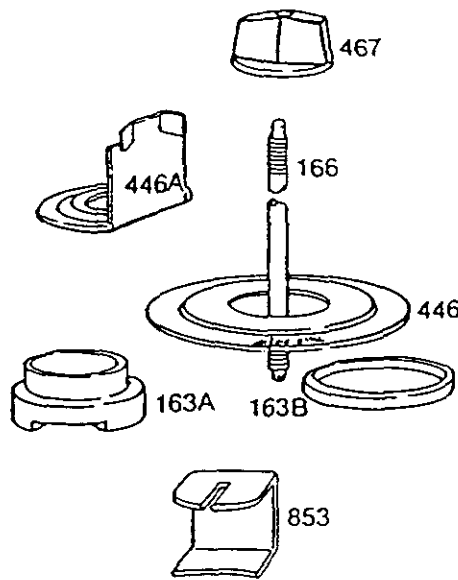
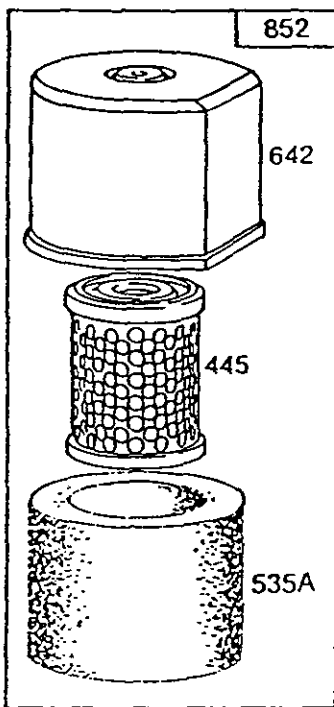
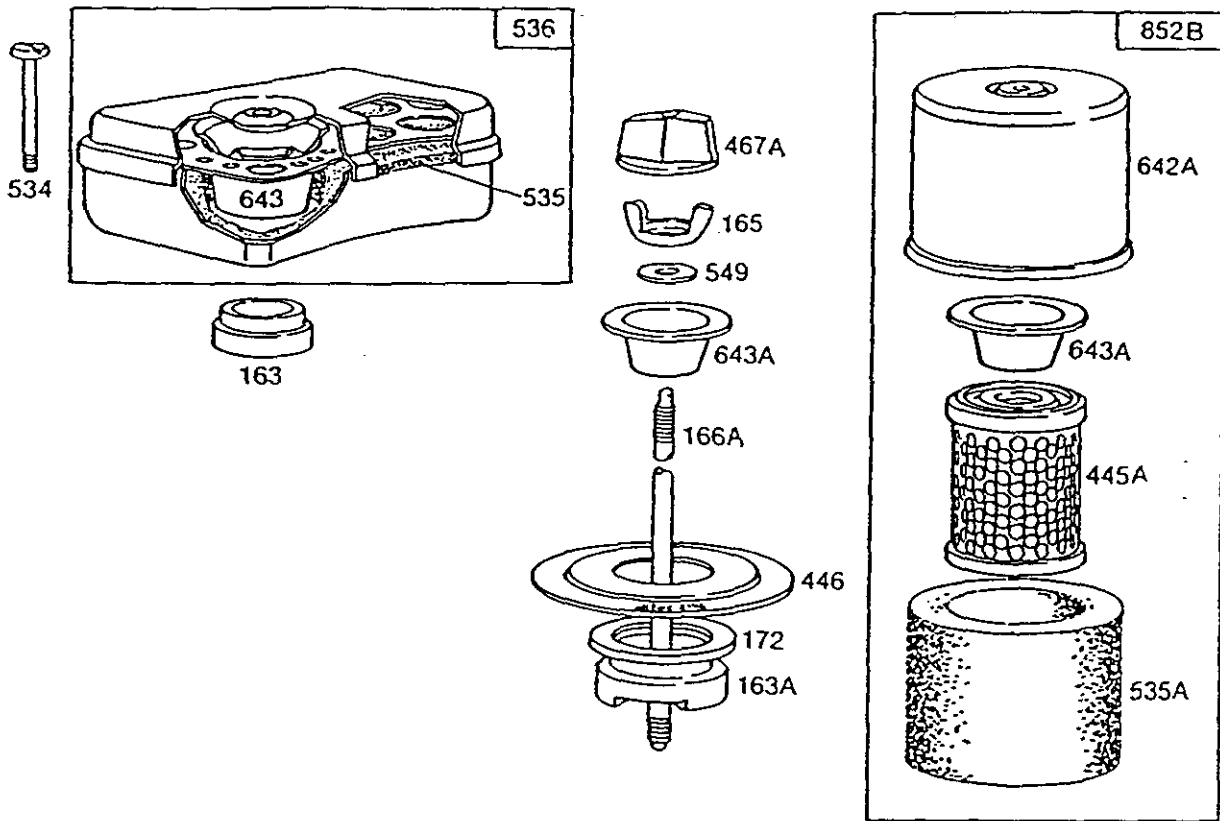


121 CARBURETOR OVERHAUL KIT

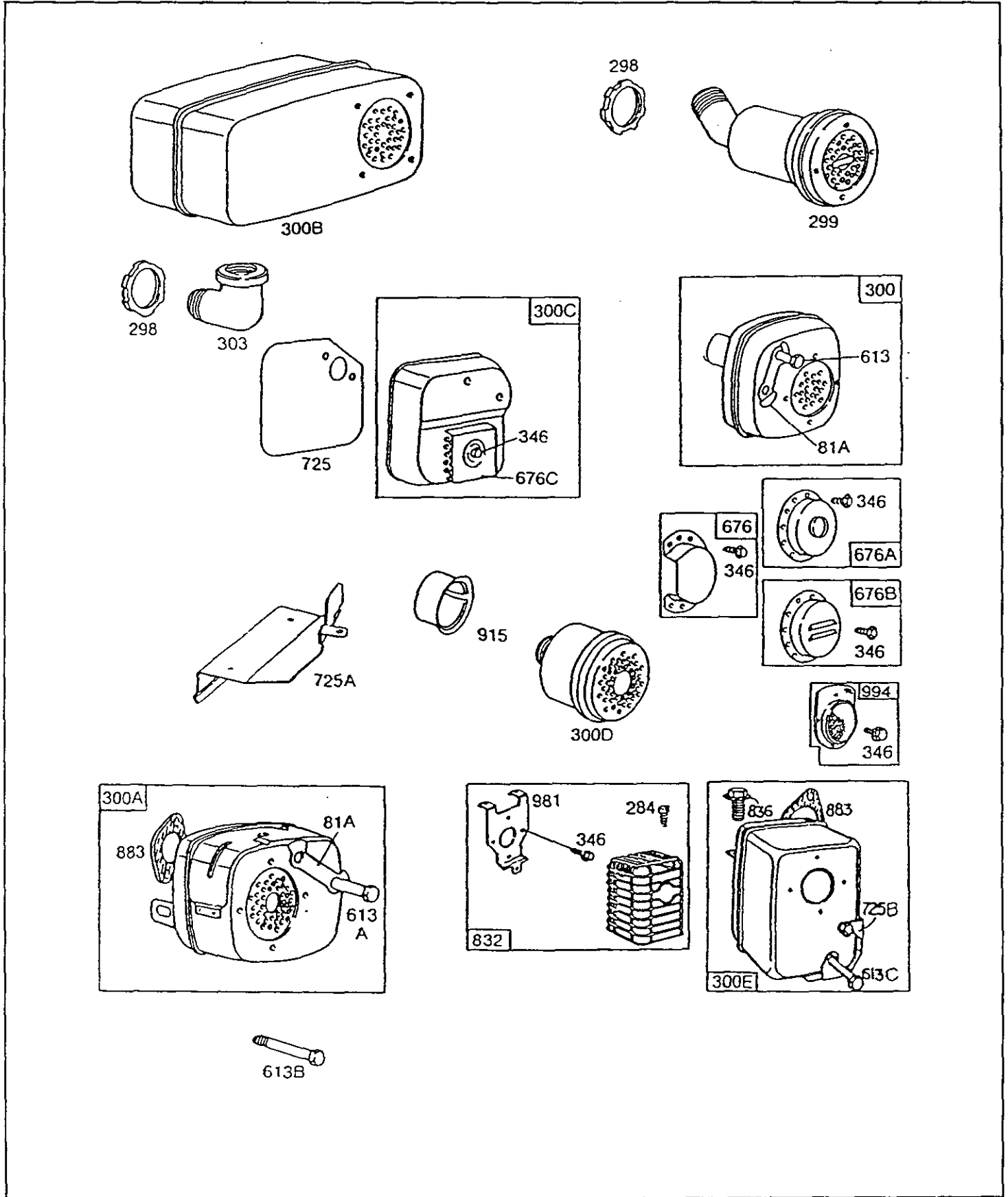


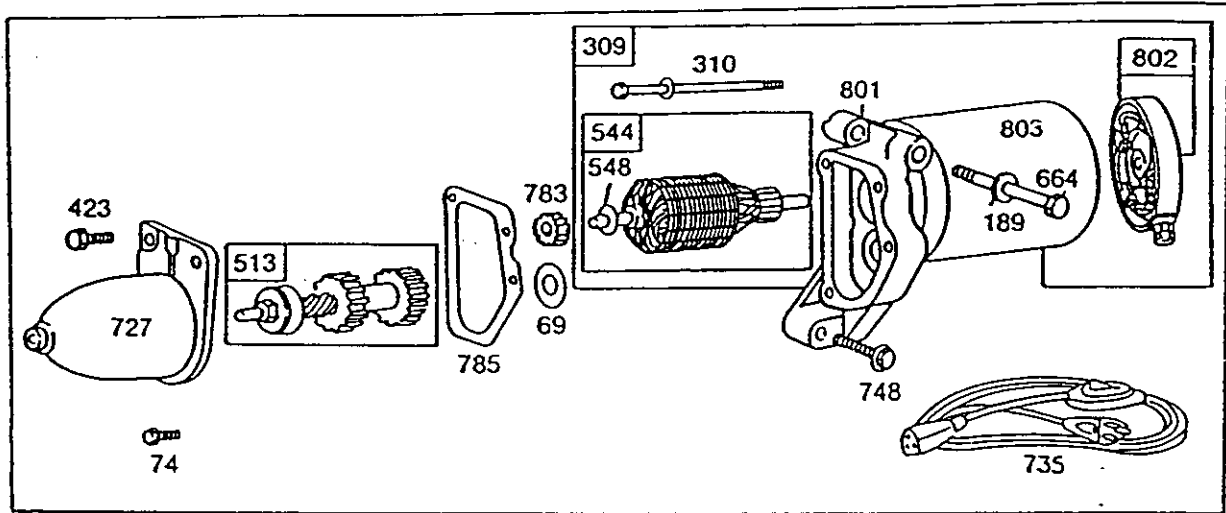
121 CARBURETOR OVERHAUL KIT

130200 to 130299



130200 to 130299





Reference Number	309	544	802	803
Starter Motor Mfr.	Motor	Armature Assembly	End Cap Assy. Commutator	Housing Assembly
American				
Bosch				
12V	390551*	390467	390465	390468
120V	393842**			

*Uses #92813 Lockwasher and #231082 Hex Nut.

**Includes Entire Motor and Drive Assembly.

Ref Number	Ref. Number	Flywheel Ring Gear Material
513	727	
Drive Assembly	Drive Housing	
391029	390543	Steel
397645***	394416	Aluminum

*** Includes 280311 Starter Cover.

Reference Numbers								
69	310	423	548	664	748	783	785	801
Washer 93676	Motor Bolt 93648	Sem. Screw 93654	Washer 93649	Mtg. Screw 93358	Mtg. Screw 93534	Pinion 230972	Gasket 270718	Mtg. Head 390544

130200 to 130299

REF. NO.	PART NO.	DESCRIPTION	REF. NO.	PART NO.	DESCRIPTION	REF. NO.	PART NO.	DESCRIPTION
1	395990	Cylinder Assembly Note: 494955 Cylinder Assy. (Used After Code Date 91063000). 395994 Cylinder Assy. (Used Before Code Date 91070100). Used on Type Nos. 1506, 1519, 1525, 1602, 1630, 1631, 1636, 1637, 1665, 1674, 1675, 1801, 1802, 1813, 1820, 1823, 1841, 1881, 1884, 1890, 1892, 1893, 1894, 1895, 1901, 1928, 1930, 1935, 1939, 2112, 2145, 2151, 2168, 2199, 2200, 2207, 2208. 494955 Cylinder Assy. (Used After Code Date 91063000). 398765 Cylinder Assy. (Oil Gard®) (Used Before Code Date 91070100). on Type Nos. Above 5000.	*270126	Gasket-Crankcase (.009" Thick)	16	492088	Crankshaft Note: To Replace Crankshaft Gear Pin, Order Part No. 230978 . Used Only on Crankshaft With Loose Gear. 397087 Crankshaft Used on Type Nos. 1535, 1612, 1632, 1687, 1713, 1720, 1730, 1739, 1745, 1753, 1760, 1771, 1790, 1805, 1806, 1830, 1839, 1913, 1918, 2100, 2123, 2129, 2132, 2147, 2150, 2161. 397089 Crankshaft (Used After Code Date 83072900). 260941 Crankshaft (Used Before Code Date 83080100). Used on Type No. 1537.	
			13	94221	Screw-Cylinder Head (2-3/32" Long) Note: 93583 Stud-Cyl. Head 22963 Washer Used on Type Nos. 1503, 1656, 1670, 1679, 1683, 1684, 1689, 1700, 1703, 1714, 1717, 1735, 1745, 1770, 1771, 1778, 1798, 1799, 1808, 1826, 1829, 1830, 1836, 1839, 1897, 1909, 1910, 1922, 1926, 1937, 2116, 2133, 2139, 2159, 2171, 2181, 2185, 5102, 5112, 5137. 391608 Bracket-Mtg. Used on Type No. 1640 And Furnished by the Equipment Manufacturer.			
			14	93369	Screw-Cylinder Head (2-15/32" Long) Note: 93583 Stud-Cyl. Head 22963 Washer Used on Type Nos. 1680, 1683, 1703, 1717, 1738, 1765, 1770, 1771, 1798, 1799, 1808, 1829, 1830, 1837, 1839, 1897, 1922, 1926, 1937, 2116, 2139, 2168, 2181, 2185, 5137.			397090 Crankshaft Used on Type Nos. 5130, 5132, 5133, 5134, 5137, 5139, 5140, 5142, 5144, 5145, 5146. 397094 Crankshaft Used on Type Nos. 5131, 5141. 397095 Crankshaft Used on Type Nos. 1524, 1549, 1616, 1716, 1737, 1744, 1774, 1775, 1776, 1777, 1788, 1792, 1810, 1825, 1840, 1851, 1871, 1874, 1927, 2104, 2175, 2193. 397096 Crankshaft Used on Type Nos. 1506, 1519, 1525, 1602, 1630, 1631,
2	297565	Bushing-Cylinder Note: Requires Special Tools for Installation.						
3	299819	Seal-Oil						
5	211542	Head-Cylinder						
6	22963	Washer-Flat						
7	*272157	Gasket-Cylinder Head						
8	294178	Breather-Valve Chamber						
9	*27549	Gasket-Valve Cover						
10	94621	Screw-Breather Mtg.						
11	66578	Grommet-Breather Tube						
12	*270080	Gasket-Crankcase (.015" Thick, Standard)	15	91249	Plug-Pipe (Sq. Hd.) Note: 93448 Plug-Pipe (Hex. Socket) 94105 Pipe-Oil Drain 94111 Cap-Pipe Used on Type No. 1881. 94174 Plug-Oil Drain (Magnetic)			
	*270125	Gasket-Crankcase (.005" Thick)						

* Included in Gasket Set-Part No. 397145.

• Included in Carburetor Overhaul Kit-Part No. 494624.

130200 to 130299

REF. NO.	PART NO.	DESCRIPTION	REF. NO.	PART NO.	DESCRIPTION	REF. NO.	PART NO.	DESCRIPTION		
		1636, 1637, 1665, 1674, 1675, 1801, 1813, 1820, 1823, 1881, 1890, 1892, 1893, 1894, 1901, 1928, 1930, 1935, 1939, 2112, 2145, 2151, 2168, 2199, 2200, 2207, 2208. 397097 Crankshaft Used on Type No. 1802. 397099 Crankshaft Used on Type Nos. 5148, 5149, 5151.			1742, 1746, 1749, 1784, 1798, 1809, 1816, 1822, 1847, 1850, 1857, 1902, 1911, 1925, 2105, 2107, 2108, 2113, 2115, 2131, 2156, 2158, 2167, 2171, 2182, 2183, 2189, 2191. 492926 Crankshaft Used on Type Nos. 1503, 1652, 1667, 1670, 1731, 1735, 1762, 1826, 1836, 1898, 2185, 2198. 493015 Crankshaft Used on Type Nos. 1539, 1698, 1750. 493290 Crankshaft Used on Type Nos. 1536, 1541, 1542, 1543, 1613, 1638, 1641, 1645, 1647, 1648, 1658, 1659, 1662, 1677, 1680, 1683, 1684, 1693, 1697, 1699, 1701, 1709, 1710, 1711, 1712, 1719, 1727, 1729, 1732, 1736, 1743, 1747, 1751, 1752, 1756, 1758, 1759, 1767, 1773, 1779, 1781, 1786, 1791, 1793, 1799, 1803, 1804, 1808, 1811, 1812, 1818, 1824, 1829, 1831, 1833, 1834, 1835, 1838, 1870, 1873, 1876, 1879, 1885, 1889, 1896, 1903, 1904, 1932, 2101, 2103, 2106, 2109, 2124, 2126, 2128, 2137, 2148, 2149, 2162, 2164, 2166, 2176, 2180, 2184, 2190, 2194, 2197, 5111, 5112.					493290 Crankshaft (Used After Code Date 91063000). 397092 Crankshaft (Used Before Code Date 91070100). Used on Type Nos. 5101, 5102, 5135, 5136.
		397100 Crankshaft (Used After Code Date 83072900). 261227 Crankshaft (Used Before Code Date 83080100). Used on Type Nos. 1841, 1884, 1895.				17	99158	Bearing-Ball (P.T.O. Side)		
		397103 Crankshaft Used on Type Nos. 1520, 1650, 1706, 1769, 1844, 1845, 1905, 1906, 1907, 1908, 1915, 1936, 2153. 397104 Crankshaft Used on Type Nos. 1717, 1748, 1757, 1770, 1794, 1897, 1926, 1937, 2116, 2159. 397105 Crankshaft Used on Type No. 1764. 492089 Crankshaft Used on Type Nos. 5143, 5147. 492090 Crankshaft Used on Type Nos. 1538, 1540, 1643, 1660, 1661, 1678, 1688, 1692, 1694, 1702, 1705, 1707, 1721, 1726, 1728,				17A	99157	Bearing-Ball (Magneto Side) Used on Type Nos. 5100 And Up.		
						18	297602	Cover Assy.-Crankcase Used on Model 130201, 130202, 130203, 130206, 130207 Series Engines, Except as Listed Under Note . Note: 398078 Cover Assy.- Crankcase Used on Type Nos. 1880, 1881, 1888, 1890, 1892, 1898, 1928, 1939, 2151, 2152, 2153, 2154, 2170. 298204 Cover Assy.-Crankcase Used on Model 130231, 130232, 130233, 130235, 130236, 130237 Series Engines. 298517 Cover Assy.-Crankcase Used on Model 130212, 130217, 130251, 130252, 130253 Series Engines, Except as Listed Under Note . Note: 392778 Cover Assy.- Crankcase Used on Type Nos. 1717, 1748, 1757, 1770, 1794, 1897,		

★ Included in Gasket Set-
Part No. 397145.

● Included in Carburetor Overhaul Kit-
Part No. 494624.

130200 to 130299

REF. NO.	PART NO.	DESCRIPTION	REF. NO.	PART NO.	DESCRIPTION	REF. NO.	PART NO.	DESCRIPTION	
		1757, 1758, 1772, 1816, 1826, 1840, 1841, 1847, 1895, 2104, 2108, 2131, 2158, 2182, 5132, 5133, 5134, 5148, 5149, 5151.			1816, 1826, 1840, 1841, 1847, 1895, 2104, 2108, 2131, 2158, 2182, 5132, 5133, 5134, 5148, 5149, 5151.			Used on Type Nos. 1519, 1602, 1630, 1631, 1636, 1637, 1674, 1675, 1801, 1802, 1820, 1823, 1841, 1881, 1890, 1892, 1893, 1894, 1895, 1928, 1930, 1935, 1939, 2151, 2168, 2199, 2200, 2207, 2208, 5148, 5149, 5151.	
34	261044	Valve-Intake	45	260642	Tappet-Valve	57	490179	Spring-Rewind Starter	
35	260552	Spring-Intake Valve	46	212733	Gear-Cam	58	66884	Rope-Rewind Starter (63" Long) If Longer Rope is Required Order Rope No. 66894 and Cut to Length.	
36	26478	Spring-Exhaust Valve		Note: 211284	Gear-Cam		Note: 66734	Rope-Rewind Starter Used on Type Nos. 1519, 1602, 1630, 1631, 1636, 1637, 1674, 1675, 1801, 1802, 1820, 1823, 1841, 1881, 1890, 1893, 1894, 1895, 1930, 1935, 2168, 2199, 2200, 2207, 2208, 5148, 5149, 5151.	
	Note 262750	Spring-Exhaust Valve (Used After Code Date 90051400).			Used on Type Nos. 1570, 1571, 1617, 1635, 1636, 1642, 1646, 1664, 1665, 1669, 1671, 1673, 1674, 1675, 1682, 1696, 1725, 1738, 1754, 1782, 1785, 1807, 1823, 1852, 1853, 1860, 1861, 1862, 1863, 1864, 1866, 1867, 1869, 1882, 1894, 1900, 1901, 1916, 1931, 1935, 2134, 2135, 2138, 2139, 2140, 2160, 2179, 2186, 2188, 2200, 2201, 2207, 2208.				
	26826	Spring-Exhaust Valve (Used Before Code Date 90051500). Used on Type Nos. 1503, 1538, 1643, 1677, 1678, 1688, 1707, 1721, 1737, 1757, 1758, 1772, 1816, 1826, 1840, 1841, 1847, 1895, 2104, 2108, 2131, 2158, 2182, 5132, 5133, 5134, 5148, 5149, 5151.		52	*27355	Gasket-Carb. Mtg.	59	490653	Insert-Starter Handle
37	222443	Guard-Flywheel		Note: 392854	Gasket-Intake Port Used on Type Nos. 1820, 1881, 1890, 1892, 1893, 1894, 1928, 1930, 1935, 1939, 2151.	59A	230228	Pin-Starter Grip	
37A	222578	Guard-Flywheel (Used on Engines with Electric Starters)			Used on Type Nos. 1849, 1865, 1868, 2127.	60	490652	Handle-Rewind Starter	
40	93312	Retainer-Valve Spring		55	299431	Housing-Rewind Starter	60A	393152	Grip-Starter Rope Note: 398101 Grip-Starter Rope Used on Type Nos. 1890, 1892, 1928, 1930, 1939, 2151.
	Note: 491442	Rotocoil-Exhaust Valve (Used After Code Date 90051400).		56	295871	Pulley-Rewind Starter (Includes 63" Long Rope) If Longer Rope is Required Order Rope No. 66894 and Cut to Length.	65	94063	Screw-Sem
	292259	Rotocap-Exhaust Valve			Note: 280439	Pulley-Rewind Starter	65A	94124	Screw-Guard Retaining
	230126	Pin-Exhaust Valve Rotocap Retainer					66	399671	Clutch Assy.- Rewind Starter
	230127	Retainer-Exhaust Valve Rotocap (Used Before Code 90051500). Used on Type Nos. 1503, 1538, 1643, 1677, 1678, 1688, 1707, 1721, 1737, 1757, 1758, 1772,					67	394897	Housing-Starter Clutch
							68	63770	Ball-Clutch
							70	298799	Ratchet-Rewind Starter
							71	394506	Washer-Clutch Retainer

* Included in Gasket Set-Part No. 397145.

• Included in Carburetor Overhaul Kit-Part No. 494624.

130200 to 130299

REF. NO.	PART NO.	DESCRIPTION	REF. NO.	PART NO.	DESCRIPTION	REF. NO.	PART NO.	DESCRIPTION
73	221923	Screen-Starter Pulley	85	92747	Screw-Gear Case Mounting Sem			1780, 1782, 1789, 1793, 1797, 1813, 1814, 1817, 1819, 1836, 1840.
	Note: 221661	Screen-Starter Pulley	86	291730	Cover Assy.-Gear Case			390161 Carb. Assy. Used on Type Nos. 1715, 1722, 1733, 1734, 1751, 1763, 1773, 1848.
		Used on Type Nos. 1518, 1519, 1601, 1602, 1630, 1631, 1635, 1636, 1637, 1674, 1675, 1801, 1802, 1820, 1823, 1837, 1841, 1881, 1890, 1892, 1893, 1894, 1895, 1928, 1930, 1935, 1939, 2151, 2168, 2199, 2200, 2207, 2208, 5151.	87	19011	Seal-Oil			392404 Carb. Assy. Used on Type Nos. 1631, 1636, 1674, 1675, 1801, 1820, 1890, 1893, 1894, 1928, 1930, 1935, 1939, 2151, 2199.
74	93490	Screw-Sem	88	27313	Gasket-Gear Case Cover			395587 Carb. Assy. (Used Before Code Date 85080100). Used on Type Nos. 1645, 1868, 2126.
	Note: 93808	Screw-Sem	89	93448	Plug-Oil Drain	95	93499	Screw-Throttle Valve to Shaft Sem
		Used on Type No. 1787.	90	397135	Carburetor Assembly (Rotary Choke)	96	211203	Throttle-Carburetor
		94062 Screw-Hex. Head		Note: 397940	Carburetor Assy.	97	299212	Shaft and Lever-Throttle
		Used on Type Nos. 2100, 2101.			Used on Type Nos. 1506, 1516, 1571, 1640, 1641, 1651, 1673, 1685, 1689, 1701, 1711, 1716, 1724, 1729, 1731, 1735, 1735, 1743, 1752, 1762, 1776, 1780, 1782, 1789, 1793, 1797, 1813, 1814, 1817, 1819, 1836, 1840, 1864, 1872, 1875, 1876, 1889, 1898, 1921, 1924, 1927, 1931, 1936, 2112, 2128, 2141, 2142, 2145, 2170, 2174, 2176, 2177, 2178, 2179, 2188, 2196.	108	397134	Valve Group-Choke
74A	93410	Screw-Hex. Head			Used on Type Nos. 1645, 1868, 2126.	110	66432	Washer-Choke Lever
		Used to Mount Ground Wire to Cover When Starter Motor is Omitted.	90A	299437	Carburetor Assembly	111	94060	Washer-Wave
75	224061	Washer-Spring		Note: 299576	Carb. Assy.	112	94164	Screw-Choke Lever (Used After Code Date 86011000).
76	68238	Washer-Ratchet Sealing (Not Used With Rubber Coated Clutch)			Used on Type Nos. 1576, 1701, 1787.		Note: 93686	Screw-Choke Lever (Used Before Code Date 86011300).
79	290779	Case Assembly-Gear			299576 Carb. Assy. Used on Type Nos. (Before Code Date 84011100).	114	66594	Gasket-Needle Valve Nut
80	27667	Gasket-Gear Case			1506, 1516, 1571, 1640, 1641, 1651, 1673, 1685, 1689, 1701, 1711, 1716, 1724, 1729, 1731, 1735, 1736, 1743, 1752, 1762, 1776,	116	65978	Packing-Needle Valve
81	220234	Lock-Screw				117	230590	Nut-Needle Valve
81A	222263	Lock-Screw (3/8" dia. Bolt Holes)				118	23433	Valve-Needle
82	91541	Screw-Cap Hex. Hd. (7/8" Long)				121	494624	Carburetor Overhaul Kit
82A	92279	Screw-Cap, Hex. Hd. (1-1/2" Long)				124	93357	Screw-Hex. Head
83	211293	Shaft and Gear-Drive				127	22831	Plug-Welch
	Note: 211338	Shaft and Gear-Drive				147	230591	Seat-Needle Valve
		Used on Type No. 1802.				148	22235	Washer-Needle Valve
84	92617	Plug-Breather				149	26336	Spring-Needle Valve
						152	260575	Spring-Throttle Adjustment

★ Included in Gasket Set-Part No. 397145.

● Included in Carburetor Overhaul Kit-Part No. 494624.

130200 to 130299

REF. NO.	PART NO.	DESCRIPTION	REF. NO.	PART NO.	DESCRIPTION	REF. NO.	PART NO.	DESCRIPTION
154	93527	Screw-Machine, Rd. Hd.		399260	Tank Assy.-Fuel (3 Quart) (Gear Rack Control) Used on Type No. 2177.			1768, 1771, 1775, 1791, 1836, 1856, 1889, 1898, 1910, 2102, 2141, 2144, 2154, 2172, 2196, 2198.
163	27660	Gasket-Air Cleaner Mounting		399438	Tank Assy.-Fuel (1 Quart) (Used After Code Date 85073100).	191	272409	Gasket-Fuel Tank Mounting
163A	270488	Gasket-Air Cleaner Mounting		395548	Tank Assy. Fuel (1 Quart) (Used Before Code Date 85080100).	200	221480	Guide-Air
163B	271139	Gasket-Air Cleaner Mounting		399438 and 395548	Use:	201	261558	Link-Governor
165	93856	Wing Nut		395556	Bracket-Control	202	260678	Link-Throttle
166	231332	Stud-Air Cleaner Used With Rotary Choke Carburetors-Ref. 90.		93105	Screw (Tank to Bracket) Used on Type Nos. 1645, 1868, 2126.	203	393919	Crank-Bell
		Note: 231315 Stud-Air Cleaner Used With Pull Choke Carburetors-Ref. 90A.				204	222962	Bushing-Governor Lever (Flat)
166A	231176	Stud-Air Cleaner						Note: For Specials See Ref. 223.
172	271077	Gasket-Air Cleaner	181	394818	Cap-Fuel Tank	205	93838	Screw-Shoulder
180	494600	Tank Assembly-Fuel (Used After Code Date 91042800). 397137 Tank Assy.-Fuel (Used Before Code Date 91042900).		Note: 297863 Cap-Fuel Tank Used on Type Nos. 1518, 1519, 1601, 1602, 1630, 1631, 1635, 1636, 1637, 1651, 1674, 1675, 1801, 1802, 1820, 1823, 1837, 1841, 1881, 1885, 1890, 1892, 1893, 1894, 1895, 1928, 1930, 1932, 1935, 1939, 2151, 2168, 2199, 2200, 2207, 2208, 5148, 5149, 5151.		206	231266	Nut-Control Rod (Used After Code Date 84042900). 230149 Nut-Control Rod (Used Before Code Date 84043000).
		Note: 297600 Tank Assy.-Fuel (3 Quart) (Used on Sno-Gard Only, Before Code Date 85050900). 397648 Tank Assy.-Fuel (3 Quart) Used on Type Nos. 1715, 1722, 1733, 1734, 1751, 1763, 1773, 1848, 1883, 1884, 1886, 2164, 2169, 2192, 2195, 2202, 2203, 2204. 397649 Tank Assy.-Fuel (3 Quart) Used on Type Nos. 1706, 1725, 1769, 1782, 1844, 1845, 1905, 1906, 1907, 1908, 1931.						Note: 21772 Nut-Control Rod Used on Type No. 1644.
		Note: 297600 Tank Assy.-Fuel (3 Quart) (Used on Sno-Gard Only, Before Code Date 85050900). 397648 Tank Assy.-Fuel (3 Quart) Used on Type Nos. 1715, 1722, 1733, 1734, 1751, 1763, 1773, 1848, 1883, 1884, 1886, 2164, 2169, 2192, 2195, 2202, 2203, 2204. 397649 Tank Assy.-Fuel (3 Quart) Used on Type Nos. 1706, 1725, 1769, 1782, 1844, 1845, 1905, 1906, 1907, 1908, 1931.	181A	397567	Cap-Fuel Tank	206A	280012	Nut-Control Rod
		Note: 297600 Tank Assy.-Fuel (3 Quart) (Used on Sno-Gard Only, Before Code Date 85050900). 397648 Tank Assy.-Fuel (3 Quart) Used on Type Nos. 1715, 1722, 1733, 1734, 1751, 1763, 1773, 1848, 1883, 1884, 1886, 2164, 2169, 2192, 2195, 2202, 2203, 2204. 397649 Tank Assy.-Fuel (3 Quart) Used on Type Nos. 1706, 1725, 1769, 1782, 1844, 1845, 1905, 1906, 1907, 1908, 1931.	188	93559	Screw-Hex. Head	206B	94081	Stopnut-Hexagon (Used After Code Date 84042900).
		Note: 297600 Tank Assy.-Fuel (3 Quart) (Used on Sno-Gard Only, Before Code Date 85050900). 397648 Tank Assy.-Fuel (3 Quart) Used on Type Nos. 1715, 1722, 1733, 1734, 1751, 1763, 1773, 1848, 1883, 1884, 1886, 2164, 2169, 2192, 2195, 2202, 2203, 2204. 397649 Tank Assy.-Fuel (3 Quart) Used on Type Nos. 1706, 1725, 1769, 1782, 1844, 1845, 1905, 1906, 1907, 1908, 1931.	189	90366	Washer-Lock			Note: 93422 Stopnut-Hexagon (Used Before Code Date 84043000).
		Note: 297600 Tank Assy.-Fuel (3 Quart) (Used on Sno-Gard Only, Before Code Date 85050900). 397648 Tank Assy.-Fuel (3 Quart) Used on Type Nos. 1715, 1722, 1733, 1734, 1751, 1763, 1773, 1848, 1883, 1884, 1886, 2164, 2169, 2192, 2195, 2202, 2203, 2204. 397649 Tank Assy.-Fuel (3 Quart) Used on Type Nos. 1706, 1725, 1769, 1782, 1844, 1845, 1905, 1906, 1907, 1908, 1931.	190	93440	Screw-Fuel Tank Mounting Sem	207	26855	Spring-Control Rod
		Note: 297600 Tank Assy.-Fuel (3 Quart) (Used on Sno-Gard Only, Before Code Date 85050900). 397648 Tank Assy.-Fuel (3 Quart) Used on Type Nos. 1715, 1722, 1733, 1734, 1751, 1763, 1773, 1848, 1883, 1884, 1886, 2164, 2169, 2192, 2195, 2202, 2203, 2204. 397649 Tank Assy.-Fuel (3 Quart) Used on Type Nos. 1706, 1725, 1769, 1782, 1844, 1845, 1905, 1906, 1907, 1908, 1931.		Note: 94094 Screw-Fuel Tank Mounting Used on Type Nos. 1539, 1543, 1667, 1676, 1697, 1698, 1710, 1714, 1731, 1735, 1736, 1762,		208	230946	Rod-Control (Used After Code Date 84042900). 230737 Rod-Control (Used Before Code Date 84043000).
		Note: 297600 Tank Assy.-Fuel (3 Quart) (Used on Sno-Gard Only, Before Code Date 85050900). 397648 Tank Assy.-Fuel (3 Quart) Used on Type Nos. 1715, 1722, 1733, 1734, 1751, 1763, 1773, 1848, 1883, 1884, 1886, 2164, 2169, 2192, 2195, 2202, 2203, 2204. 397649 Tank Assy.-Fuel (3 Quart) Used on Type Nos. 1706, 1725, 1769, 1782, 1844, 1845, 1905, 1906, 1907, 1908, 1931.						Note: 230737 Rod-Control Used on Type No. 1644. 230946 Rod-Control (Used Before Code Date 84043000). Used on Type Nos. 1575, 1689, 1701, 1729, 1731, 1743,
		Note: 297600 Tank Assy.-Fuel (3 Quart) (Used on Sno-Gard Only, Before Code Date 85050900). 397648 Tank Assy.-Fuel (3 Quart) Used on Type Nos. 1715, 1722, 1733, 1734, 1751, 1763, 1773, 1848, 1883, 1884, 1886, 2164, 2169, 2192, 2195, 2202, 2203, 2204. 397649 Tank Assy.-Fuel (3 Quart) Used on Type Nos. 1706, 1725, 1769, 1782, 1844, 1845, 1905, 1906, 1907, 1908, 1931.						

★ Included in Gasket Set-Part No. 397145.

● Included in Carburetor Overhaul Kit-Part No. 494624.

130200 to 130299

REF. NO.	PART NO.	DESCRIPTION	REF. NO.	PART NO.	DESCRIPTION	REF. NO.	PART NO.	DESCRIPTION
	1762, 1776, 1793, 1840.		216C	399109	Rod-Choke	234	220730	Clip-Control Rod
	261297 Rod-Control		216D	394562	Hand Choke Assy.	256	397709	Crank-Bell
	Used on Type Nos.		216E	399110	Rod-Choke			(Includes Choke Link)
	1645, 1646, 1756,		217	261951	Spring-Choke			(Used After Code Date
	1772, 1777, 1849,		217A	260189	Spring-Choke Link			84053100).
	1865, 1868, 2119,		218	221198	Washer-Choke Link			Note: 398175 Crank-Bell
	2126, 2127, 2138.		219	494845	Gear-Governor			(Includes Choke Link)
					(Used After Code Date			(Used Before Code
	261985 Rod-Control				91060900).	256A	299859	Crank-Bell
	(Used After Code Date				Note: 391737 Gear-Gov.			(Includes Choke Link)
	84042900).				(Used Before Code	256B	222582	Lever-Choke
	230737 Rod-Control		220	221551	Washer-Thrust	257	93543	Screw-Fil. Hd. Sem
	(Used Before Code		223	221517	Lever-Gov. Control	257A	92484	Screw-Fil. Hd. Sem
	Date 8404300).				Note: 230943 Bushing-	265	221535	Clamp-Casing
	Used on Type Nos.				Governor Lever	265A	222629	Bracket-Cable Clamp
	1515, 1523, 1524,				(With 1/2" Dia. Flange)	267	93496	Screw-Sem
	1525, 1535, 1536,				Uses:			Note: 93686 Screw-Sem
	1537, 1543, 1549,				93440 Screw-Sem and			Used on Type Nos.
	1570, 1638, 1653,				93569 Spring Washer			1782, 1931.
	1668, 1669, 1679,				Used on Type Nos.			93469 Screw-Sem
	1697, 1714, 1767,				1518, 1519, 1630,			Used on Type Nos.
	1774, 1825, 1833,				1631, 1636, 1674,			1706, 1769, 1844,
	1909, 1926, 1937,				1675, 1713, 1719,			1845, 1872, 1905,
	2144, 2147, 2148,				1738, 1739, 1750,			1906, 1907, 1908.
	2149, 2150, 2156,				1753, 1828, 1881,	267A	93543	Screw-Sem
	2157, 2158, 2159,				1885, 1893, 1894,	268	66986	Casing-Control Wire
	2161, 2162, 2165,				1895, 1928, 1930,			(48" Long)
	2167, 2171, 2175,				1932, 1935, 1939,			Note: If Longer Casing is
	2180, 2182, 2183,				2102, 2199, 5147.			Needed, Specify Length
	2184, 2189, 2190,		224	93491	Rivet-Governor Control			in Inches; if a Shorter
	5131, 5135, 5137,				Lever Mounting			Casing is Needed,
	5139, 5140, 5141,				Note: 93495 Rivet-Governor			Order No. 66986 and
	5142, 5143, 5144,				Control Lever Mounting			Cut to Required Length.
	5145, 5146.				Used With 221517	269	26099	Wire-Control
					Lever, 222597			Note: If Longer Wire is
208A	399111 Rod-Control				Lever-Adapter and			Needed, Specify Length
209	260695 Spring-Governor				230852 Bushing on			in Inches; if Shorter
	Note: 260902 Spring-Gov.				Type Nos.			Wire is Needed, Order
	Used on Type No.				1706, 1725, 1769,			No. 26099 and Cut to
	2190.				1782, 1844, 1845,			Required Length.
	261130 Spring-Gov.				1905, 1906, 1907,	270	63426	Locknut-Control Wire
	Used on Type No.				1908, 1931.			Casing
	1678.				For Other Specials	271	290568	Lever Assy.-Control
216	397709 Link-Choke				See Ref. 223.	280	223236	Strap-Control Rod
	(Includes Bell Crank)							Note: 230944 Guide-Control
	(Used After Code Date		227	393920	Lever Assy.-Governor			Rod
	84053100).		229	220680	Washer-Gov. Lever			Used in 223236 Strap
216A	299859 Link-Choke		230	222450	Washer-Gov. Lever			on Type Nos.
	(Includes Bell Crank)		231	93064	Screw-Sem			1515, 1523, 1524,
216B	231093 Link-Choke		232	260478	Spring-Governor Link			1525, 1535, 1536,
			233	230253	Stop-Control Rod			
★	Included in Gasket Set-		●	Included in Carburetor Overhaul Kit-				
	Part No. 397145.			Part No. 494624.				

130200 to 130299

REF. NO.	PART NO.	DESCRIPTION	REF. NO.	PART NO.	DESCRIPTION	REF. NO.	PART NO.	DESCRIPTION
346	93705	Screw-Sem Note: 93469 Screw-Sem Used to Mount Deflector and Muffler Guard on Type Nos. 1644, 1871, 1872.		2189, 2191, 5131, 5132, 5133, 5134, 5135, 5139, 5140, 5141, 5143, 5146. (These Wires are Used With Armature Ref. 333A Only.)	474A	494254	Stator Assy.-Alternator (Used Before Code Date 91041500).	
347	220884	Switch-Stop (For 1-1/2" High, 37 mm Spark Plugs) Note: 221828 Switch-Stop (For 1-7/8" High, 48 mm Spark Plug) 390785 Switch-Stop (For 1-1/2" High, 38 mm Spark Plug) Used With 22963 Washer on Type Nos. 1645, 1646, 1660, 1692, 1702, 1715, 1717, 1718, 1734, 1740, 1751, 1756, 1784, 1849, 1883, 1884, 1886, 1891, 1902, 1911, 1919, 2105, 2109, 2111, 2156, 2163, 2164, 2169, 2183, 2192, 2195, 2202, 2203, 2204, 5101, 5102, 5142, 5144, 5145.		Note: 396585 Wire-Ground Used on Type Nos. 1639, 1648, 1699, 1786, 1793, 1801, 1802, 1823, 1831, 1835, 1876, 1878. 396947 Wire-Ground Used on Type Nos. 1820, 1881.	481	231767	Spacer-Alternator (Used After Code Date 91041400).	
351	93735	Screw-Terminal	357	91539	Key	481A	230970	Bushing-Stator (Used Before Code Date 91041500).
352	66068	Washer	358	397145	Gasket Set	482	93639	Screw-Alternator Armature Mounting
353	92791	Washer-Lock	362	291630	Shield-Spark Plug (With Stop Switch)	506	90200	Screw-Machine, Fillister Hd.
354	90576	Nut-Hex.	363	19069	Flywheel Puller	507	66895	Insulator
355	66554	Washer-Insulating	373	92987	Nut-Hex.	520	93722	Terminal-Spade
356	398808	Wire-Ground Note: 398838 Wire-Ground Used on Type Nos. 1820, 1881, 1890, 1892, 1893, 1894, 1928, 1930, 1935, 1939, 2151. 398874 Wire-Ground Used on Type Nos. 1897, 1899, 1926, 1937, 2104, 2107, 2108, 2110, 2113, 2114, 2115, 2116, 2117, 2120, 2131, 2157, 2158, 2165, 2178, 2180, 2182,	377	93065	Key-Woodruff	521	298529	Shielding-Ignition Cable
			383	89838	Wrench-Spark Plug	523	297357	Cap-Oil Filler
			392	260455	Spring-Fuel Pump Diaphragm	524	65304	Gasket-Oil Filler Cap
			392A	260847	Spring-Choke Friction Diaphragm	525	91258	Nipple-Oil Filler (2-1/2" Long)
			394	270026	Lever-Throttle Speed Control	525A	394884	Adaptor-Oil Filler
			409	299837	Washer	526	94409	Screw-Tank Bracket Mounting Sem
			414	220982	Spacer-Choke Lever (Used Before Code Date 86011300).	527	221514	Clamp-Breather Tube
			414A	231325	Screw-Sem	528	231328	Tube-Breather Used With Rotary Choke Carburetors- Ref. 90. Note: 230722 Tube-Breather Used With Pull Choke Carburetors-Ref. 90A. 231386 Tube-Breather Used With Heat Shield-Ref. 725A.
			423	93410	Cap-Spring	529	67838	Grommet-Breather Tube
			432	221377	Cap-Choke Spring	534	94071	Screw-Air Cleaner (Used After Code Date 84011000). 93322 Screw-Air Cleaner (Used Before Code Date 84011100). Note: 231332 Stud-Air Cleaner Uses: 212706 Knob-Air Cleaner (Used After Code Date 84022100).
			432A	221766	Pin-Diaphragm Cover			
			433	93265	Cover-Diaphragm			
			434	210959	Screw-Diaph. Cover			
			435	93141	Cartridge-Air Cleaner			
			445	396424	Cartridge-Air Cleaner			
			445A	392308	Base-Air Cleaner			
			446	222844	Base-Air Cleaner			
			446A	395642	Knob-Air Cleaner			
			467	212706	Knob-Air Cleaner			
			467A	212293	Knob-Choke Rod			
			467B	391908	Screw-Sem			
			473	93612	Stator Assy.-Alternator (Used After Code Date 91041400).			
			474	494254				

★ Included in Gasket Set-
Part No. 397145.

● Included in Carburetor Overhaul Kit-
Part No. 494624.

130200 to 130299

REF. NO.	PART NO.	DESCRIPTION	REF. NO.	PART NO.	DESCRIPTION	REF. NO.	PART NO.	DESCRIPTION
		Used on Type Nos. 1700, 1885.			1881, 1895, 2168, 2200, 2207, 2208, 5148, 5149, 5151.	631	230852	Bushing
		230741 Stud-Air Cleaner			394490 Starter Assy.- Rewind (3 o'clock)	634	271853	Washer-Throttle Shaft (Foam)
		Used With 92067 Nut-Wing			Used on Type Nos. 1631, 1636, 1637, 1674, 1675, 1801, 1820, 1893, 1894, 1930, 1935, 2199.			Note: 270167 Washer- Throttle Shaft (Felt)
535	27987	Element-Air Cleaner			398074 Starter Assy.- Rewind (3 o'clock)	634A	270382	Washer-Shaft
		Note: 390492 Element- Air Cleaner			Used on Type Nos. 1890, 1892, 1928, 1939, 2151.	635	66538	Elbow-Spark Plug
		Uses: 390588 Cover- Air Cleaner						Note: 392273 Elbow Shielding (Used With Spark Plug 392588 Only)
		221969 Support- Air Cleaner	609	260694	Spring-Throttle Link			Used on Type No. 2191.
		270730 Gasket- Air Cleaner	611	391813	Fuel Pipe and Clip Assembly	638	93713	Washer-Lock
		Used on Type Nos. 1700, 1885.			Note: 297219 Pipe-Fuel (1 Quart)	642	223306	Cover-Air Cleaner
535A	271466	Element-Air Cleaner			Used on Type Nos. 1645, 1868, 2126.	642A	222626	Cover-Air Cleaner
536	397703	Cleaner Assembly-Air (Used After Code Date 84011000).	612	296811	Pipe-Fuel	643	280374	Cup-Air Cleaner
		Note: 297036 Cleaner Assy.-Air (Used Before Code Date 84011100).	613	93935	Screw-Hex. Hd. Shoulder	643A	222845	Cup-Air Cleaner
538	390756	Rod-Control	613A	94042	Screw-Muffler Mtg. Note: 93704 Screw- Muffler Mtg. (Used Before Code Date 82091300).	655	222598	Anchor Spring
539	93784	Clamp-Choke Rod				665	298858	Oil Minder
541	22398	Washer	613B	93377	Screw-Muffler Mtg.	670	261065	Spacer-Armature
542	94025	Screw	613C	94054	Screw-Hex. Hd. Shoulder	676	393757	Deflector-Exhaust
549	271118	Washer-Air Cleaner						Note: 393761 Deflector- Exhaust Used on Type No. 1728.
552	231079	Bushing-Gov. Crank	614	93306	Cotter-Pin	676A	395700	Deflector-Exhaust
562	92613	Bolt-Governor Lever	615	93307	Retainer-E-Ring	676B	393758	Deflector-Exhaust
575	396691	Stop Switch-Rotary	616	231077	Crank-Governor	676C	393750	Deflector-Exhaust
592	231082	Nut-Hex.	621	297472	Switch-Stop	681	299060	Needle Valve Kit
608	390463	Starter Assy.-Rewind			Note: 396847 Switch-Stop Used on Type No. 2177.	682	211516	Shield-Clutch
		Note: 397124 Starter Assy.- Rewind	624	390383	Crank-Bell (Includes Bell Crank Link)	712	223140	Guard-Ring Gear (With one Tab for 1-5/8" Cut Out in Blower Housing)
		Used on Type Nos. 2100, 2101.			Note: 222476 Crank-Bell Used on Type Nos. 1645, 1646, 1756, 1772, 1777, 1849, 1865, 1868, 2119, 2126, 2127, 2138.			Note: 222279 Guard-Ring Gear (With Two Tabs for 1-1/8" Cut Out in Blower Housing)
608A	297372	Starter Assy.-Rewind (10 o'clock)				725	221885	Shield-Heat
		Note: 394475 Starter Assy.- Rewind (10 o'clock)	629	261094	Spring-Throttle Return			Note: 222595 Shield-Heat Used on Type No. 1640 and Furnished by the Equipment Manufacturer.
		Used on Type Nos. 1519, 1602, 1630, 1802, 1823, 1841,	630	222597	Lever-Adaptor	725A	223334	Shield-Heat

* Included in Gasket Set-
Part No. 397145.

* Included in Carburetor Overhaul Kit-
Part No. 494624.

130200 to 130299

REF. NO.	PART NO.	DESCRIPTION	REF. NO.	PART NO.	DESCRIPTION	REF. NO.	PART NO.	DESCRIPTION
725B	223303	Shield-Heat	832	398069	Guard-Muffler	897	394970	Trigger Coil Assembly
726	494548	Gear-Ring (Includes Mtg. Screws).		Note: 492533	Guard-Muffler Used on Type Nos. 2208, 5151.	905	394510	Shield-Sno Gard
726A	397644	Gear-Ring (Includes Mtg. Screws).	836	93559	Screw-Hex. Head	905A	394511	Shield-Sno Gard
729	223528	Clip-Wire	847	493955	Oil Filler Group	915	222933	Liner-Port
731	399183	Hood-Snow Note: 492008 Hood-Snow Used on Type Nos. 2208, 5151.	851	221798	Cable Terminal-Ignition	948	398661	Harness-Wire
733	93977	Screw-Hood	852	396397	Cleaner Group-Air	949	396580	Guard-Rewind Starter
735	390900	Cord-Starter	852A	397937	Cleaner Group-Air	949A	280680	Guard-Rewind Starter
741	261696	Gear-Timing (Plain Bearing) Note: 262060 Gear-Timing (Ball Bearing)	852B	392368	Cleaner Group-Air Note: For Dual Element Air Cleaner Kit Order Part No. 393018.	951	223286	Lever-Choke
779	390383	Link-Bell Crank (Includes Bell Crank)	853	394850	Bracket-Air Cleaner	978	271736	Gasket-Oil Switch
780	223169	Anchor-Spring	854	392884	Bracket Assembly- Stop Switch	979	494807	Cover-Oil Gard® Hole
780A	222267	Anchor-Spring Uses: 222268 Connector- Control Cable 93496 Screw for Mounting to Tank Bracket	869	211787	Seat-Intake Valve	980	398182	Switch-Oil Gard®
795	392833	Switch-Key	870	211172	Seat-Exhaust Valve Note: For Options see Repair Manual.	981	223373	Bracket-Muffler Guard
823	93712	Screw-Socket Head	871	262001	Guide-Exhaust Valve Note: 63709 Guide-Intake Valve See Repair Instruction Manual.	982	94658	Screw-Oil Gard® Cover
			877	393854	Diode and Connector Assembly	982A	94146	Screw-Oil Gard® Mtg.
			878	393422	Alternator Harness Assembly	983	398660	Light-Indicator
			883	270918	Gasket-Muffler	984	223527	Bracket-Indicator Light
						985	398525	Terminal-Insulated
						987	398970	Seal-Throttle Shaft
						989	491060	Switch Assembly (Used After Code Date '86123100). Note: 399668 Switch Assy. (Used Before Code Date 87010100).
						990	280596	Key
						994	399541	Arrester-Spark
						1016	490817	Spacer
						1019	491100	Label Kit

* Included in Gasket Set-
Part No. 397145.

• Included in Carburetor Overhaul Kit-
Part No. 494624.