

# 12V800 to 12V899

## Illustrated Parts List Model Series 12V800 to 12V899

### TYPE NUMBERS

0109, 0180, 0181,  
0182, 0183, 0191,  
0625, 0626, 0630,  
0631, 0666, 0667,  
0668, 1081, 1082,  
1085, 1091, 1092,  
1169, 1733, 1740,  
1741, 1742, 1766,  
1767, 1776, 1777,  
1779, 1780, 2376,  
3118.

### TO FIND

#### THE CORRECT NUMBER OF THE PART YOU NEED: FOLLOW THE INSTRUCTIONS BELOW

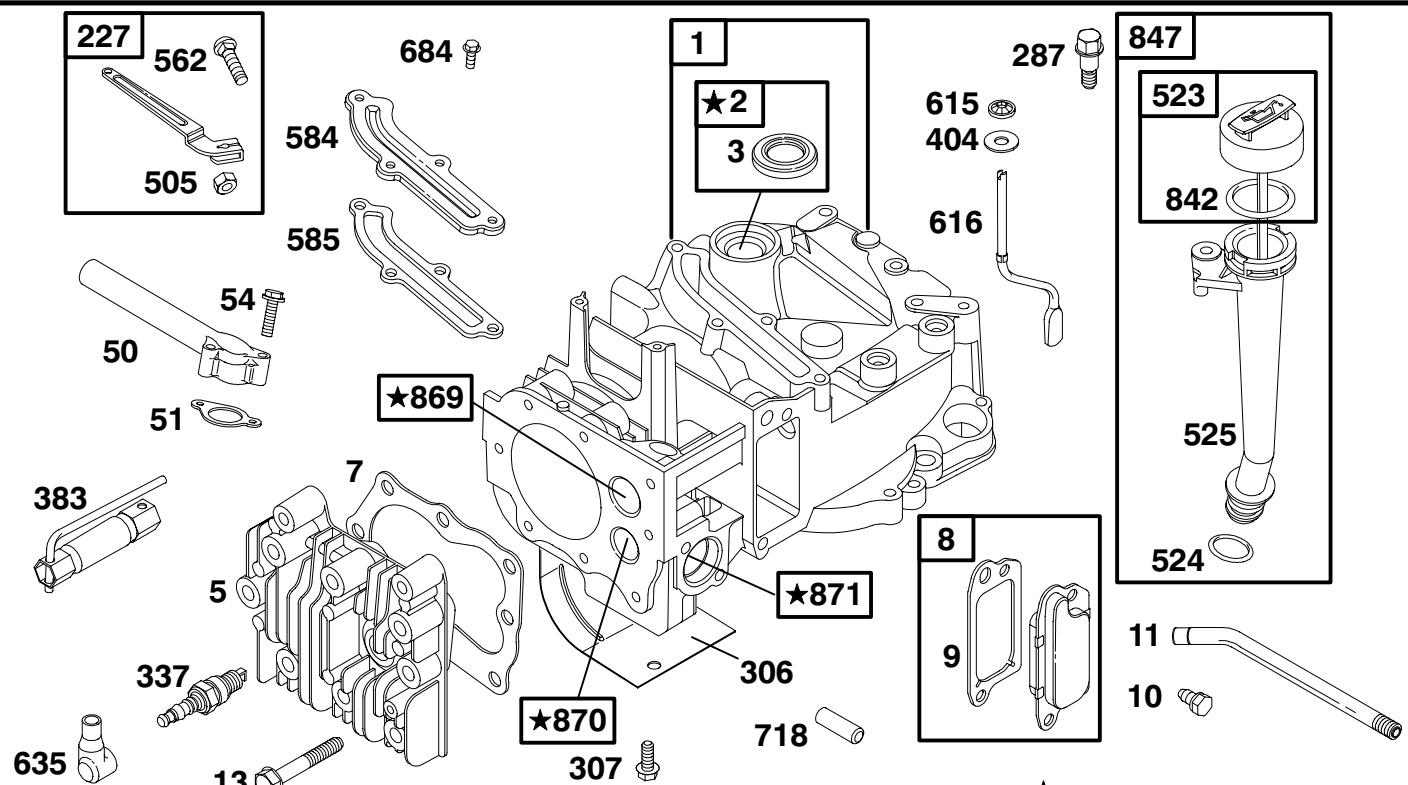
- A. Refer to Engine Model, Type and Code Number that is stamped on the blower housing of engine. Engine type numbers such as 0123 01 are listed only as 0123 in most instances. The two digits (01 or 02, etc.) to the right of the space may be required for more accurate parts identification in some instances. Select the Illustrated Parts List covering the correct Model Series and Type Number.
- B. Refer to the Illustrations and compare the original part with Illustration. The number next to the illustration is the Reference Number. Assemblies include all parts shown in frames. All parts shown in assembly frames having individual reference numbers can be purchased separately.
- C. After the Reference Number has been identified, refer to the Numerical text, where Reference and Primary Part Number are listed. **THE PRIMARY PART IS USED ON ALL TYPE NUMBERS EXCEPT THOSE TYPE NUMBERS UNDER "NOTE."**
- D. If a "Note" appears below the Primary Part Number, it means that this part differs from the Primary Part for certain types. If your Type number is listed under "Note," order the part referred to at the "Note."
- E. If your Engine Type Number does not appear after any part number listed under "Note," use the Primary Part Number.
- F. For Engine Type Numbers not covered by this book, check other Parts Lists having the same engine model or contact your source of supply.

PRINTED IN U.S.A.



COPYRIGHT by BRIGGS & STRATTON CORPORATION  
All rights reserved. No part of this material may be reproduced or transmitted, in any form or by any means, electronic or mechanical, including photocopying, recording or by any information storage and retrieval system, without permission in writing from Briggs & Stratton Corporation.

# 12V800 to 12V899



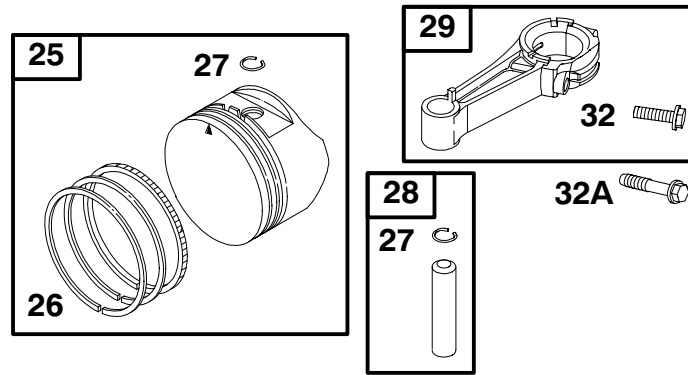
**1019 LABEL KIT**    **1058 OWNER'S MANUAL**

★ **REQUIRES SPECIAL TOOLS TO INSTALL. SEE REPAIR INSTRUCTION MANUAL.**

REF. NO.	PART NO.	DESCRIPTION	REF. NO.	PART NO.	DESCRIPTION	REF. NO.	PART NO.	DESCRIPTION
1	493260	Cylinder Assembly	337	802592	Sparkplug	718	230192	Pin-Locking
2	399269	Kit-Bushing/Seal	383	89838	Wrench-Sparkplug	842	★280393	Seal-O-Ring (Dipstick)
3	★299819	Seal-Oil (Magneto Side)	404	690272	Washer (Governor Crank)	847	495263	Dipstick/Tube Assembly
5	691160	Head-Cylinder	505	231082	Nut (Governor Control Lever)	869	691155	Seat-Valve (Intake)
7★	272916	Gasket-Cylinder Head	523	495264	Dipstick	870	690380	Seat-Valve (Exhaust)
8	695250	Breather Assembly	524	★280966	Seal-Dipstick Tube	871	262001	Bushing-Valve Guide (Exhaust Valve)
9★	272481	Gasket-Breather	525	495265	Tube-Dipstick			----- Note -----
10	94650	Screw (Breather Assembly)	562	92613	Bolt (Governor Control Lever)			63709 Bushing-Valve Guide (Intake Valve)
11	231933	Tube-Breather	584	692342	Cover-Breather Passage	1019	494256	Kit-Label (Emission)
13	94547	Screw (Cylinder Head)	585	★272238	Gasket-Breather Passage	1058	274783	Owner's Manual (Emission)
50	497465	Manifold-Intake	615	690340	Retainer-Governor Shaft			----- Note -----
51	★272199	Gasket-Intake	616	691306	Crank-Governor			272262 Owner's Manual (Non Emission)
54	94526	Screw (Intake Manifold)	635	66538	Boot-Sparkplug			
227	690783	Lever-Governor Control	684	690345	Screw (Breather Passage Cover)			
287	94511	Screw (Dipstick Tube)						
306	690450	Shield-Cylinder						
307	690345	Screw (Cylinder Shield)						

★ Included in Engine Gasket Set-Ref. No. 358.  
● Included in Carburetor Overhaul Kit-Ref. No. 121.

◆ Included in Carburetor Gasket Set-Ref. No. 977.  
Included in Valve Gasket Set-Ref. No. 1095.

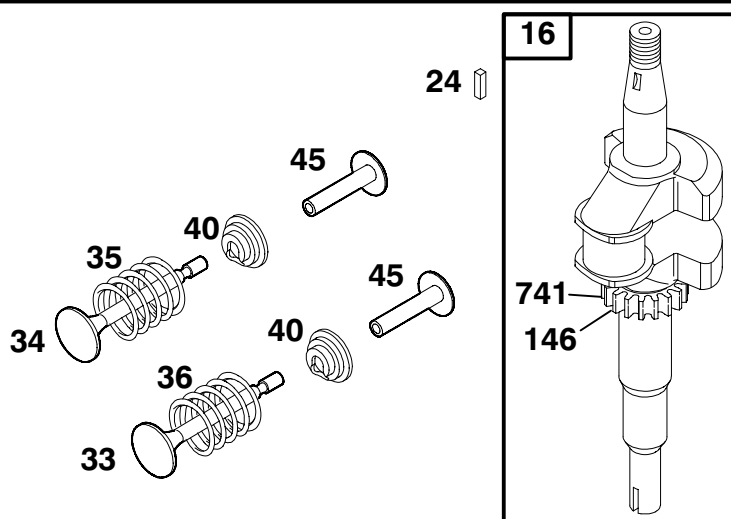


REF. NO.	PART NO.	DESCRIPTION	REF. NO.	PART NO.	DESCRIPTION	REF. NO.	PART NO.	DESCRIPTION	
25	499429	Piston Assembly (Standard) (Used After Code Date 97011200). ----- <b>Note</b> ----- 493262 Piston Assembly (Standard) (Used Before Code Date 97011300).	26	499425	Ring Set (Standard) (Used After Code Date 97011200). ----- <b>Note</b> ----- 493261 Ring Set (Standard) (Used Before Code Date 97011300).	27	263190	Lock-Piston Pin (Used After Code Date 97011200). ----- <b>Note</b> ----- 26026 Lock-Piston Pin (Used Before Code Date 97011300).	
	499430	Piston Assembly (.010" O.S.) (Used After Code Date 97011200).		499426	Ring Set (.010" O.S.) (Used After Code Date 97011200).	28	499423	Pin-Piston (Standard) (Used After Code Date 97011200). ----- <b>Note</b> ----- 298909 Pin-Piston (Standard) (Used Before Code Date 97011300).	
	493385	Piston Assembly (.010" O.S.) (Used Before Code Date 97011300).		493388	Ring Set (.010" O.S.) (Used Before Code Date 97011300).		29	499424	Rod-Connecting (Standard) (Used After Code Date 97011200). ----- <b>Note</b> ----- 490566 Rod-Connecting (Standard) (Used Before Code Date 97011300).
	499431	Piston Assembly (.020" O.S.) (Used After Code Date 97011200).		499427	Ring Set (.020" O.S.) (Used After Code Date 97011200).	32	94699	Screw (Connecting Rod)	
	493386	Piston Assembly (.020" O.S.) (Used Before Code Date 97011300).		493389	Ring Set (.020" O.S.) (Used Before Code Date 97011300).	32A	695759	Screw (Connecting Rod) (Used After Code Date 00042200).	
	499432	Piston Assembly (.030" O.S.) (Used After Code Date 97011200).		499428	Ring Set (.030" O.S.) (Used After Code Date 97011200).				
	493387	Piston Assembly (.030" O.S.) (Used Before Code Date 97011300).		493390	Ring Set (.030" O.S.) (Used Before Code Date 97011300).				

★ Included in Engine Gasket Set-Ref. No. 358.  
● Included in Carburetor Overhaul Kit-Ref. No. 121.

◆ Included in Carburetor Gasket Set-Ref. No. 977.  
◆ Included in Valve Gasket Set-Ref. No. 1095.

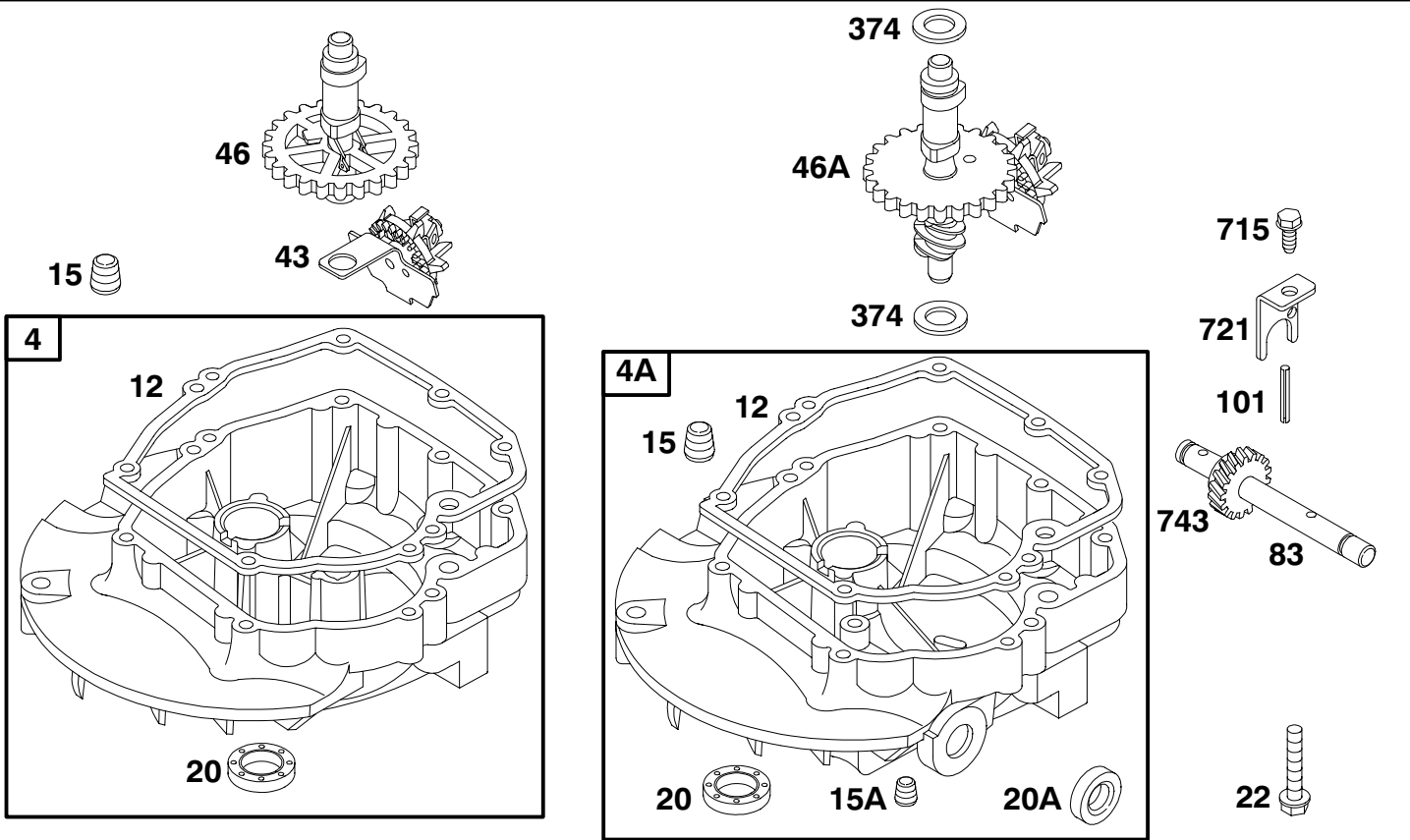
# 12V800 to 12V899



REF. NO.	PART NO.	DESCRIPTION	REF. NO.	PART NO.	DESCRIPTION	REF. NO.	PART NO.	DESCRIPTION
16	691451	Crankshaft (Used After Code Date 97011200). ----- <b>Note</b> ----- 493362 Crankshaft (Used Before Code Date 97011300). 691452 Crankshaft (Used After Code Date 97011200). Used on Type No(s). 0630, 0631, 0666, 0668, 1085, 1766, 1767, 1777, 1779, 1780. 694059 Crankshaft (Used Before Code Date 97011300). Used on Type No(s). 0630, 0631, 0666, 0668. 691450 Crankshaft (Used After Code Date 97011200). Used on Type No(s). 0109, 0180, 0181, 0183, 0191, 1081, 1091.			493282 Crankshaft (Used Before Code Date 97011300). Used on Type No(s). 0109, 0180, 0181, 0183. 493946 Crankshaft (Used Before Code Date 97011300). Used on Type No(s). 0182. 692994 Crankshaft (Used After Code Date 97011200). Used on Type No(s). 0625, 1741, 3118. 498878 Crankshaft (Used Before Code Date 97011300). Used on Type No(s). 1741. 691455 Crankshaft Used on Type No(s). 1092.			
						24	222698	Key-Flywheel
						33	262651	Valve-Exhaust
						34	262652	Valve-Intake
						35	691270	Spring-Valve (Intake)
						36	691270	Spring-Valve (Exhaust)
						40	93312	Retainer-Valve
						45	690548	Tappet-Valve
						146	94388	Key-Timing
						741	262598	Gear-Timing

★ Included in Engine Gasket Set-Ref. No. 358.  
● Included in Carburetor Overhaul Kit-Ref. No. 121.

◆ Included in Carburetor Gasket Set-Ref. No. 977.  
Included in Valve Gasket Set-Ref. No. 1095.

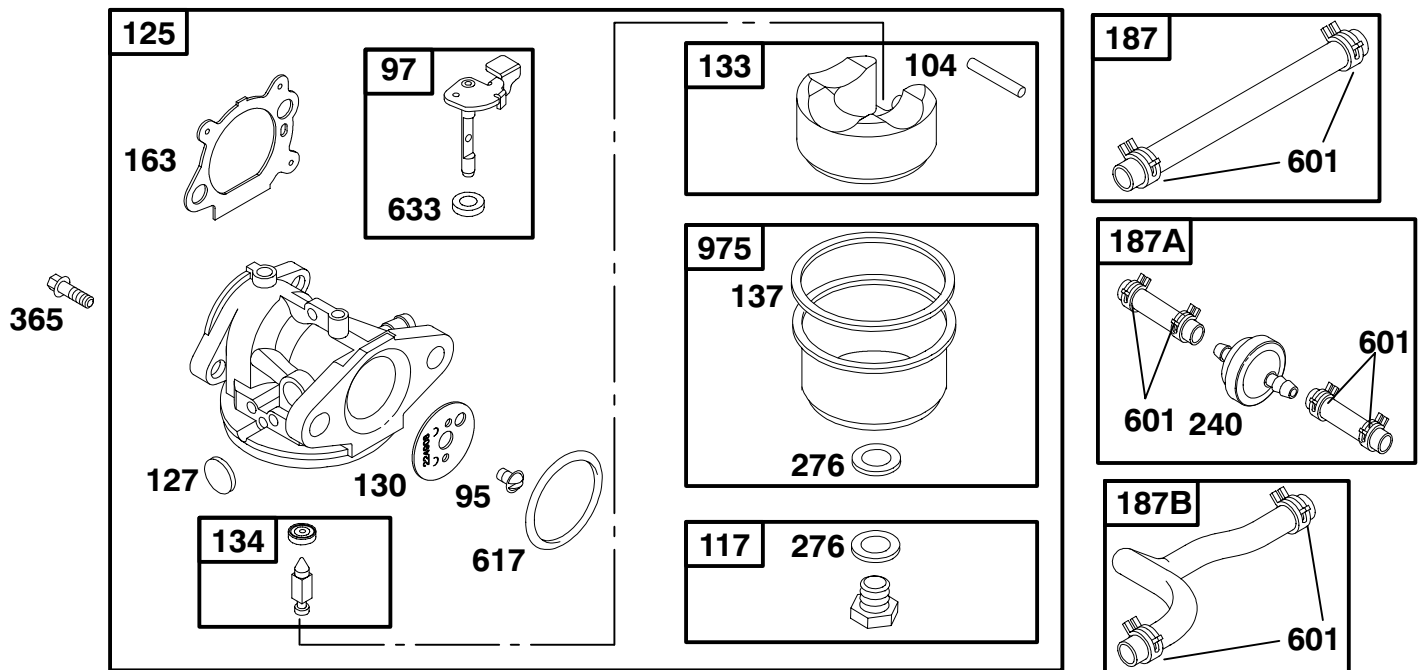


REF. NO.	PART NO.	DESCRIPTION	REF. NO.	PART NO.	DESCRIPTION	REF. NO.	PART NO.	DESCRIPTION	
4	493279	Sump-Engine	46	691449	Camshaft (Used After Code Date 96060200).	83	231671	Shaft-Auxiliary Drive	
4A	493365	Sump-Engine (Auxiliary Drive)			----- <b>Note</b> -----	101	93474	Pin-Shaft	
12	★272198	Gasket-Crankcase			492830	Camshaft (Used Before Code Date 96060300).	374	691074	Washer (Camshaft)
15	94880	Plug-Oil Drain (Square Socket)	46A	691459	Camshaft (Counter Clockwise) (Used After Code Date 96060200).	715	94929	Screw (Stop Shaft)	
15A	691093	Plug-Oil Drain (Hex Socket)			----- <b>Note</b> -----	721	690449	Stop-Shaft	
20	★399781	Seal-Oil (PTO Side)			493738	Camshaft (Counter Clockwise) (Used Before Code Date 96060300).	743	231279	Gear-Drive
20A	391484	Seal-Oil (Auxiliary PTO)							
22	691092	Screw (Crankcase Cover/ Sump)							
43	493737	Slinger-Governor/Oil							

★ Included in Engine Gasket Set-Ref. No. 358.  
● Included in Carburetor Overhaul Kit-Ref. No. 121.

◆ Included in Carburetor Gasket Set-Ref. No. 977.  
Included in Valve Gasket Set-Ref. No. 1095.

# 12V800 to 12V899

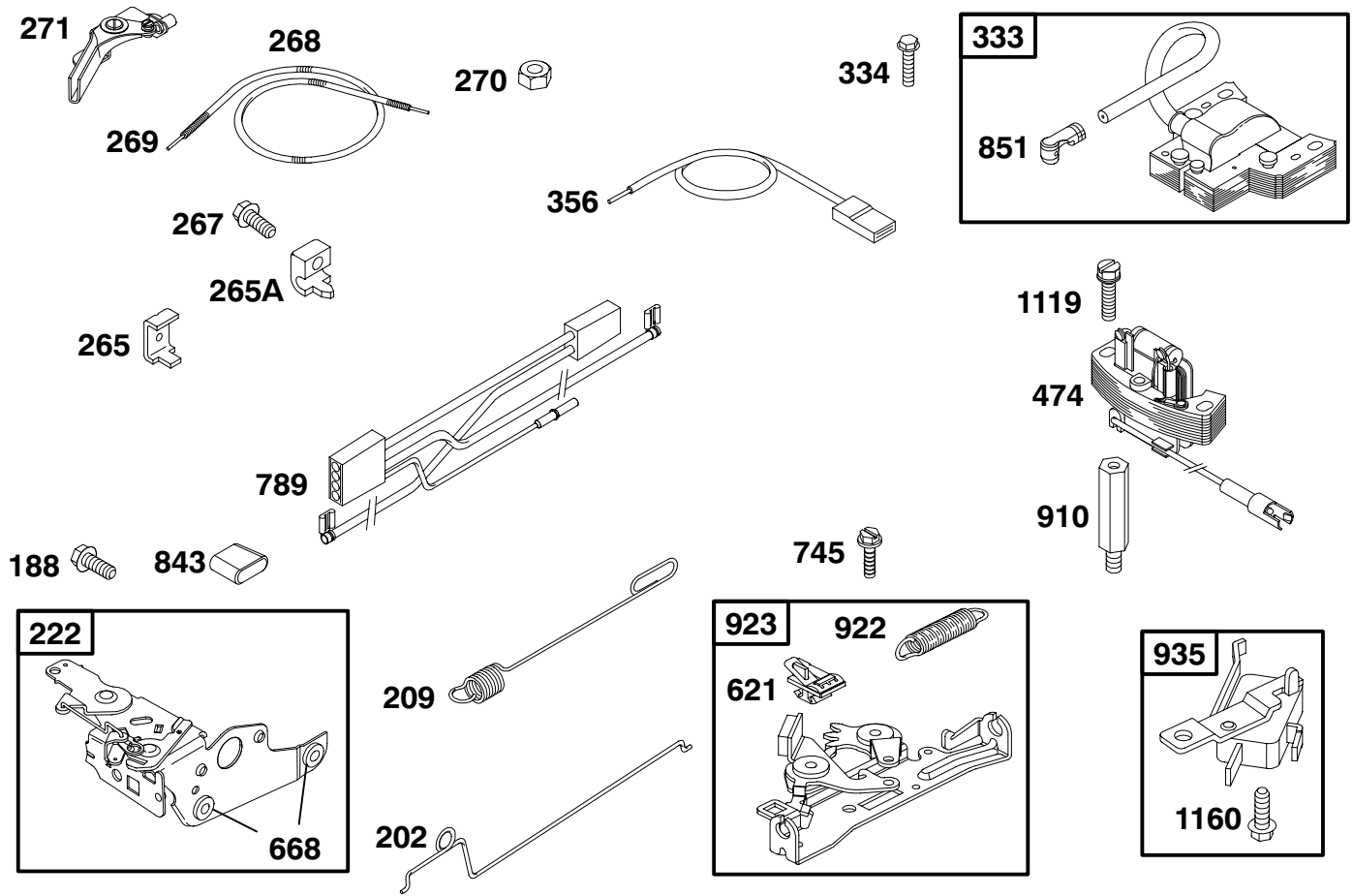


REF. NO.	PART NO.	DESCRIPTION	REF. NO.	PART NO.	DESCRIPTION	REF. NO.	PART NO.	DESCRIPTION
95	94098	Screw (Throttle Valve)	125	498966	Carburetor (Used After Code Date 96060200).	163	★♦♦272653	Gasket-Air Cleaner
97	493267	Shaft-Throttle			----- Note -----	187	691050	Line-Fuel (15" Long, Cut To Required Length)
104	●691242	Pin-Float Hinge			498254 Carburetor (Used After Code Date 95102900 and Before Code Date 96060300).	187A	498171	Line-Fuel (4 5/8" and 1 15/16", Cut To Required Lengths)
117	498975	Jet-Main (Standard) (Used After Code Date 96060200).			497347 Carburetor (Used Before Code Date 95103000)	187B	691371	Fuel Line (Molded)
		----- Note -----	127	●694468	Plug-Welch	240	298090	Filter-Fuel
		497466 Jet-Main (Standard) (Used After Code Date 95102900 and Before Code Date 96060300).	130	691203	Valve-Throttle	276	●♦271716	Washer-Sealing
		494870 Jet-Main (Standard) (Used Before Code Date 95103000).	133	398187	Float-Carburetor	365	94840	Screw (Carburetor)
		496495 Jet-Main (High Altitude) (Used After Code Date 96060200).	134	●398188	Kit-Needle/Seat	601	93053	Clamp-Hose
		496495 Jet-Main (High Altitude) (Used After Code Date 95102900 and Before Code Date 96060300).	137	♦♦693981	Gasket-Float Bowl	617	●♦270344	Seal-O-Ring (Intake Manifold)
		497315 Jet-Main (High Altitude) (Used Before Code Date 95103000).				633	●♦691321	Seal-Choke/Throttle Shaft
						975	493640	Bowl-Float

★ Included in Engine Gasket Set-Ref. No. 358.  
 ● Included in Carburetor Overhaul Kit-Ref. No. 121.

♦♦ Included in Carburetor Gasket Set-Ref. No. 977.  
 ♦♦♦ Included in Valve Gasket Set-Ref. No. 1095.

# 12V800 to 12V899

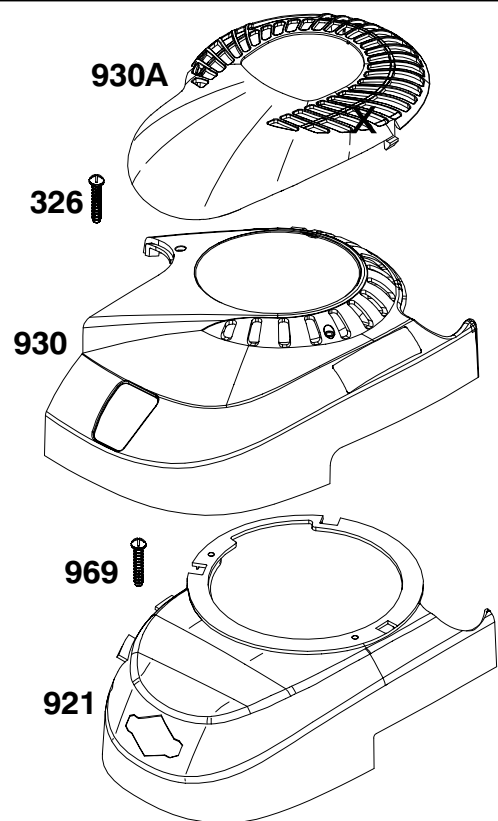


REF. NO.	PART NO.	DESCRIPTION	REF. NO.	PART NO.	DESCRIPTION	REF. NO.	PART NO.	DESCRIPTION
188	94644	Screw (Control Bracket)	265	221535	Clamp-Casing	745	94512	Screw (Brake)
202	262579	Link-Mechanical Governor	265A	213146	Clamp-Casing Used on Type No(s). 1766, 1767, 1777.	789	695552	Harness-Wiring (Used After Code Date 00040600).
209	263044	Spring-Governor ----- Note ----- 263042 Spring-Governor Used on Type No(s). 0180, 0181, 0183, 0191, 0668, 1081, 1091, 1092. 691292 Spring-Governor Used on Type No(s). 0182, 0630, 0631, 0666, 0667, 1085, 1733, 1766, 1767, 1777.	267	94882	Screw (Casing Clamp)	843	691884	Lever-Sleeve (Speed Control)
222	691436	Bracket-Control (Remote/Manual Friction Compliance)	268	691072	Casing-Control Wire (Cut to Length)	851	493880	Terminal-Sparkplug
			269	26099	Wire-Control (Cut To Length)	910	691094	Stud (Alternator)
			270	63426	Nut (Control Wire Casing)	922	262640	Spring-Brake
			271	290568	Lever-Control	923	493442	Brake
			333	802574	Armature-Magneto	935	398758	Switch-Interlock
			334	94731	Screw (Magneto Armature)	1119	94512	Screw (Alternator)
			356	692390	Wire-Stop	1160	93758	Screw (Interlock Switch)
			474	492841	Alternator			
			621	396847	Switch-Stop			
			668	★493823	Spacer (Includes 2)			

★ Included in Engine Gasket Set-Ref. No. 358.  
● Included in Carburetor Overhaul Kit-Ref. No. 121.

◆ Included in Carburetor Gasket Set-Ref. No. 977.  
● Included in Valve Gasket Set-Ref. No. 1095.

# 12V800 to 12V899



**1036 LABEL-EMISSION**

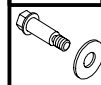
957A



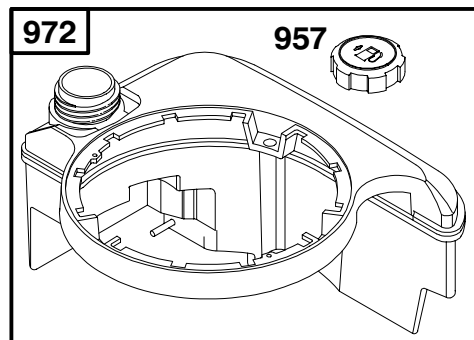
190



**1059**



670

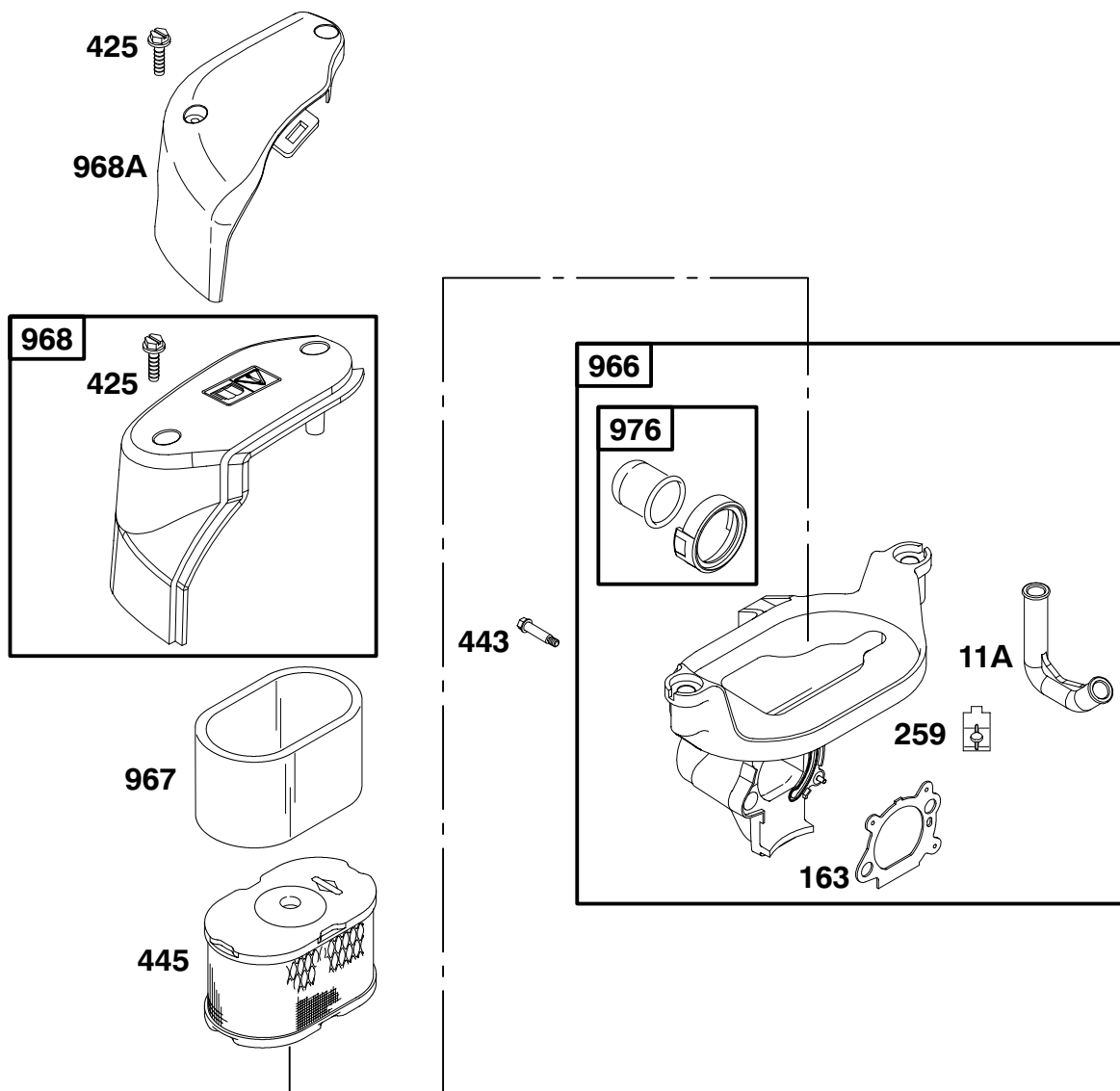


REF. NO.	PART NO.	DESCRIPTION	REF. NO.	PART NO.	DESCRIPTION	REF. NO.	PART NO.	DESCRIPTION
190	94511	Screw (Fuel Tank)	1036	695111	Label-Emission (Used After Code Date 99093000). Used on Type No(s). 1081, 1085, 1091, 1092, 1766, 1767, 1776, 1777, 1779, 1780. ----- <b>Note</b> ----- 499340 Label- Emission (Used Before Code Date 99100100 and After Code Date 98123100). Used on Type No(s). 1733, 1740, 1741, 1742, 2376.			499341 Label- Emission (Used Before Code Date 99010100 and After Code Date 97052500). Used on Type No(s). 1081, 1085, 1091, 1092, 1766, 1767, 1776, 1777, 1779, 1780, 3118.
326	94696	Screw (Rewind Guard)						
670	280512	Spacer-Fuel Tank						
921	693199	Cover-Blower Housing Used on Type No(s). 3118.						
930	691339	Guard-Rewind (XRS Style)						
930A	691345	Guard-Rewind (Teardrop, Satin Black)						
957	397974	Cap-Fuel Tank (Standard)						
957A	498697	Cap-Fuel Tank (Radiused Edge)						
969	691138	Screw (Blower Housing Cover)						
972	495224	Tank-Fuel (Standard) ----- <b>Note</b> ----- 693980 Tank-Fuel (Optional) Used on Type No(s). 1776, 1779, 1780.						
						1059	398540	Kit-Screw/Washer

★ Included in Engine Gasket Set-Ref. No. 358.  
● Included in Carburetor Overhaul Kit-Ref. No. 121.

◆ Included in Carburetor Gasket Set-Ref. No. 977.  
Included in Valve Gasket Set-Ref. No. 1095.



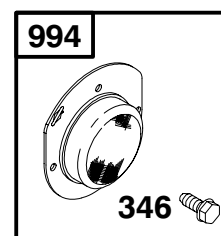
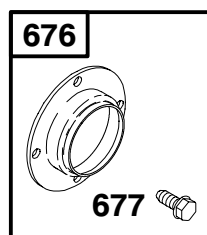
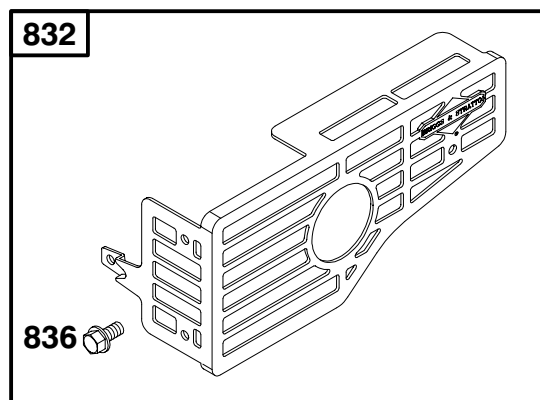
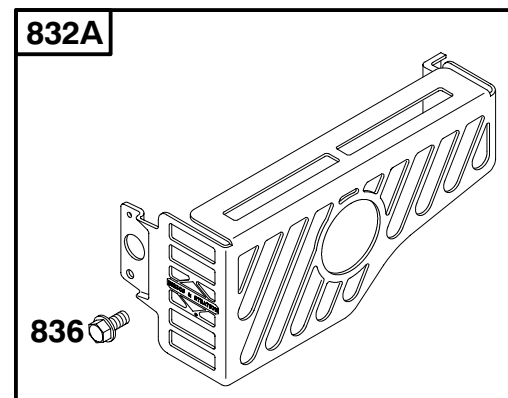
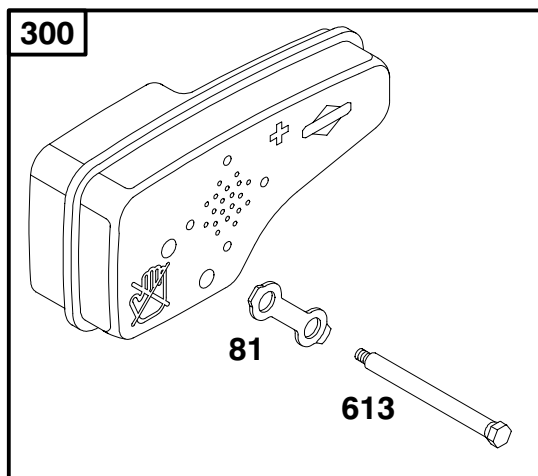


REF. NO.	PART NO.	DESCRIPTION	REF. NO.	PART NO.	DESCRIPTION	REF. NO.	PART NO.	DESCRIPTION
11A	281556	Tube-Breather	967	273185	Filter-Pre-Cleaner	976	694395	Primer-Carburetor (Used After Code Date 99051200).
163★◆	272653	Gasket-Air Cleaner	968	498997	Cover-Air Cleaner	----- <b>Note</b> -----		
259	691189	Bracket-Casing Clamp	968A	693198	Cover-Air Cleaner Used on Type No(s). 3118.	496115	Primer-Carburetor (Used Before Code Date 99051300).	
425	691135	Screw (Air Cleaner Cover)	443	690349	Screw (Air Cleaner Primer-Base)			
445	497725	Filter-Air Cleaner Cartridge						
966	691439	Base-Air Cleaner Primer						

★ Included in Engine Gasket Set-Ref. No. 358.  
● Included in Carburetor Overhaul Kit-Ref. No. 121.

◆ Included in Carburetor Gasket Set-Ref. No. 977.  
Included in Valve Gasket Set-Ref. No. 1095.

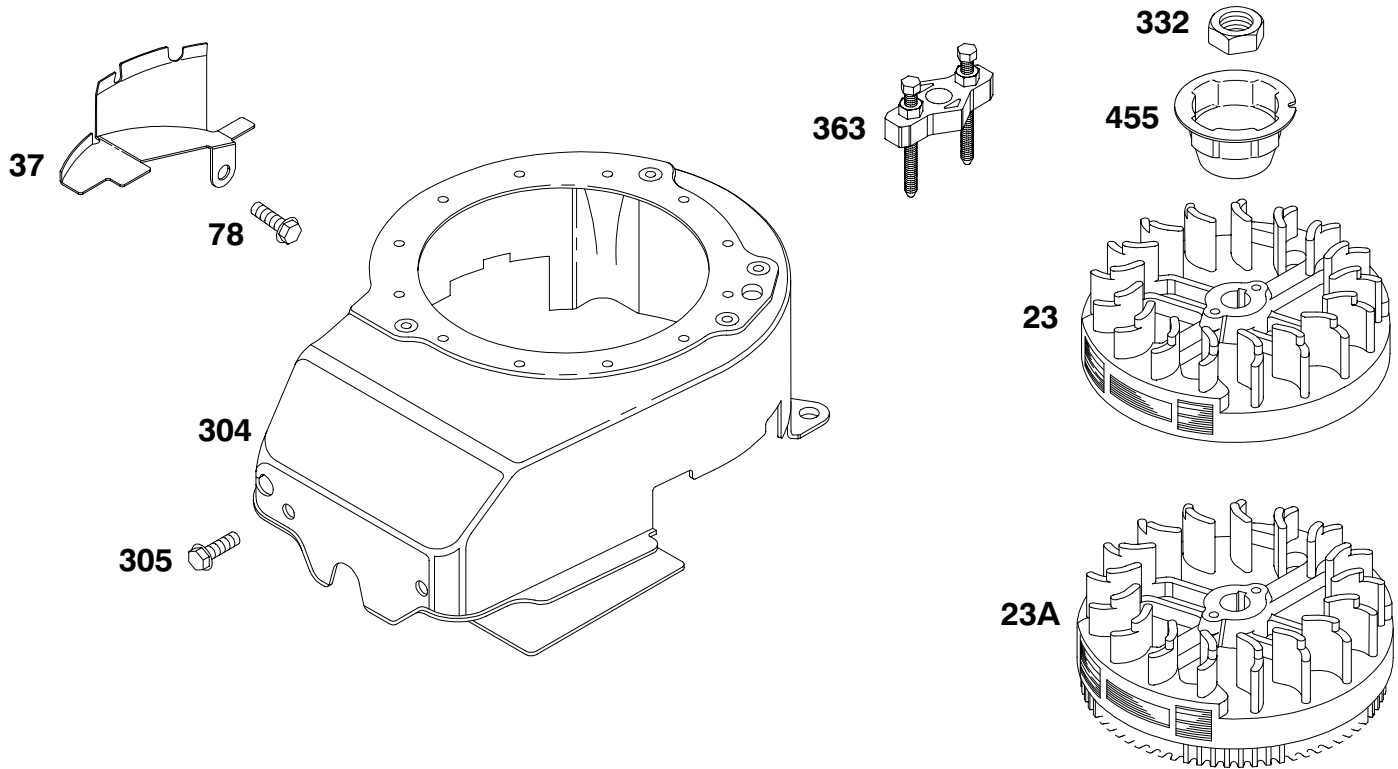
# 12V800 to 12V899



REF. NO.	PART NO.	DESCRIPTION	REF. NO.	PART NO.	DESCRIPTION	REF. NO.	PART NO.	DESCRIPTION
81	223664	Lock-Muffer Screw	676	497682	Deflector-Muffer (Direct Out)	832A	691442	Guard-Muffer (Yardman Guard)
300	497838	Muffer (Super Lo Tone)	677	94896	Screw (Muffer Deflector)	836	94874	Screw (Muffer Guard)
346	94896	Screw (Spark Arrestor)	832	499034	Guard-Muffer (Used with Super Lo Tone Muffer Tuned)	994	398067	Arrestor-Spark
613	94231	Screw Muffer)						

★ Included in Engine Gasket Set-Ref. No. 358.  
● Included in Carburetor Overhaul Kit-Ref. No. 121.

◆ Included in Carburetor Gasket Set-Ref. No. 977.  
◆ Included in Valve Gasket Set-Ref. No. 1095.

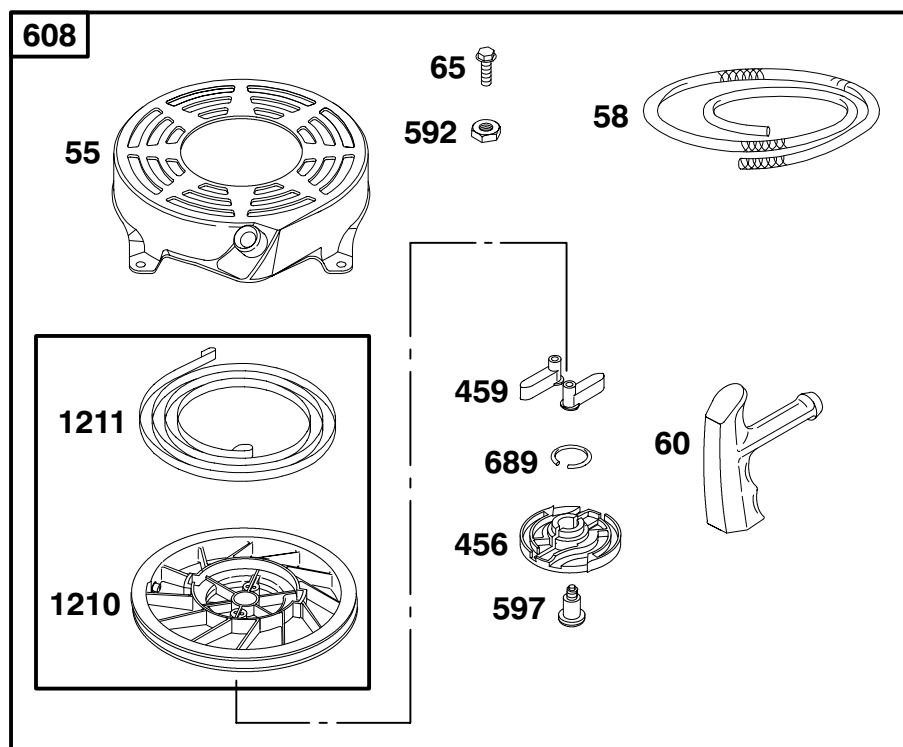


REF. NO.	PART NO.	DESCRIPTION	REF. NO.	PART NO.	DESCRIPTION	REF. NO.	PART NO.	DESCRIPTION
23	492177	Flywheel (Rewind Start Only) ----- <b>Note</b> ----- 492893 Flywheel (Electric Start) Used on Type No(s). 0667, 0668, 1767.	78	691108	Screw (Flywheel Guard)	305	691108	Screw (Blower Housing)
			304	493293	Housing-Blower ----- <b>Note</b> ----- 493294 Housing-Blower Used on Type No(s). 0181, 0183, 0191, 0667, 0668, 1092.	332	94877	Nut (Flywheel)
23A	492175	Flywheel (Electric Start)				363	19069	Puller-Flywheel
37	694086	Guard-Flywheel				455	691219	Cup-Flywheel

★ Included in Engine Gasket Set-Ref. No. 358.  
● Included in Carburetor Overhaul Kit-Ref. No. 121.

◆ Included in Carburetor Gasket Set-Ref. No. 977.  
● Included in Valve Gasket Set-Ref. No. 1095.

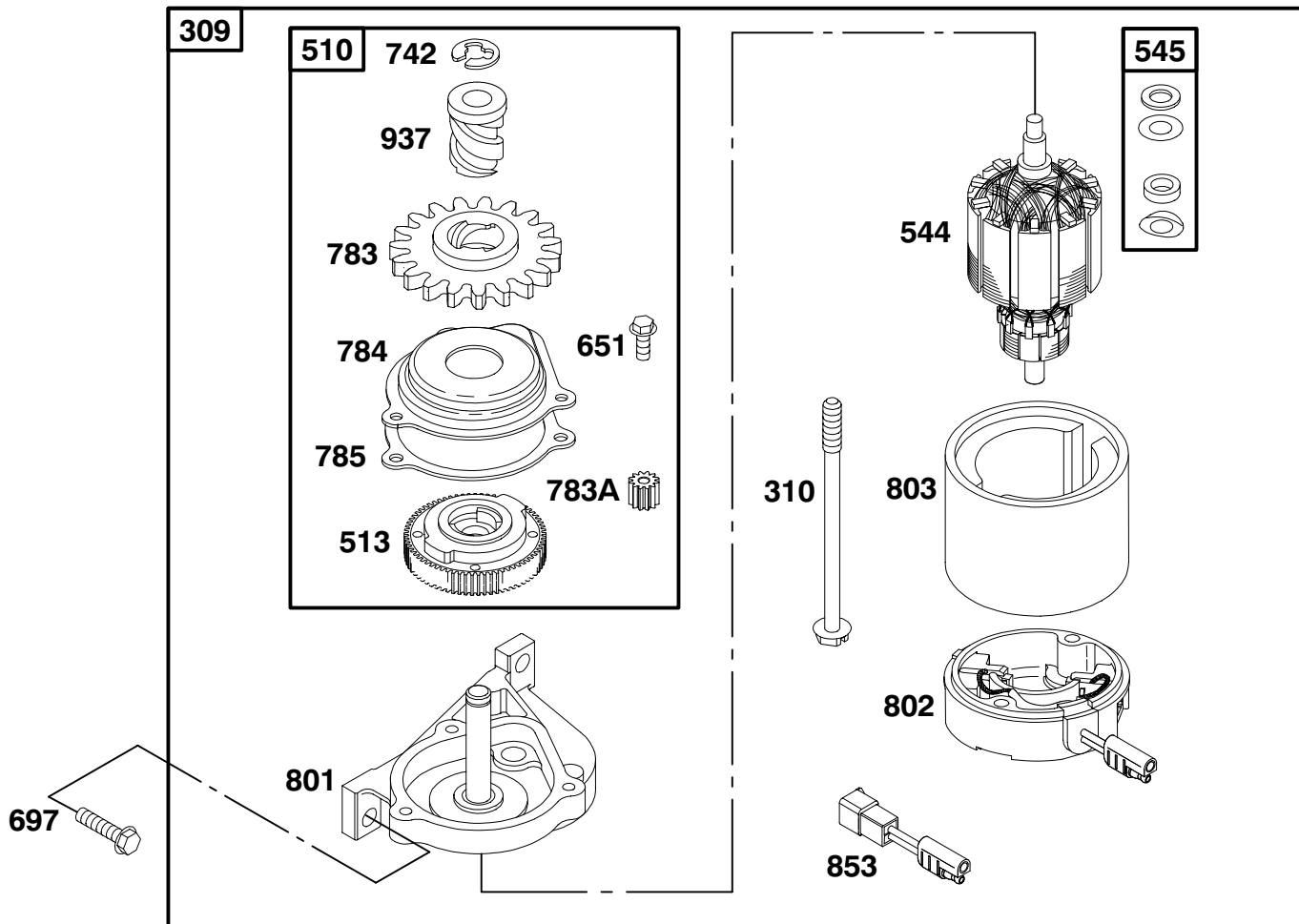
# 12V800 to 12V899



REF. NO.	PART NO.	DESCRIPTION	REF. NO.	PART NO.	DESCRIPTION	REF. NO.	PART NO.	DESCRIPTION
55	691421	Housing-Rewind Starter	456	281503	Plate-Pawl Friction	689	263073	Spring-Friction
58	281464	Rope-Starter (Cut To Required Length)	459	281505	Pawl-Ratchet	1210	498144	Pulley/Spring Assembly (Pulley)
60	281434	Grip-Starter Rope	592	94908	Nut (Rewind Starter)	1211	498144	Pulley/Spring Assembly (Spring)
65	94904	Screw (Rewind Starter)	597	94943	Screw (Pawl Friction Plate)			
			608	497680	Starter-Rewind			

★ Included in Engine Gasket Set-Ref. No. 358.  
● Included in Carburetor Overhaul Kit-Ref. No. 121.

◆ Included in Carburetor Gasket Set-Ref. No. 977.  
Included in Valve Gasket Set-Ref. No. 1095.

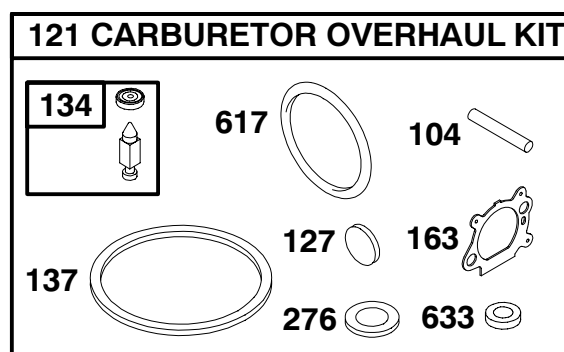
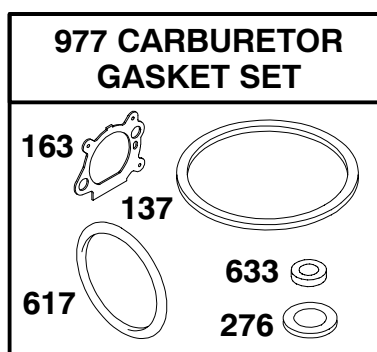
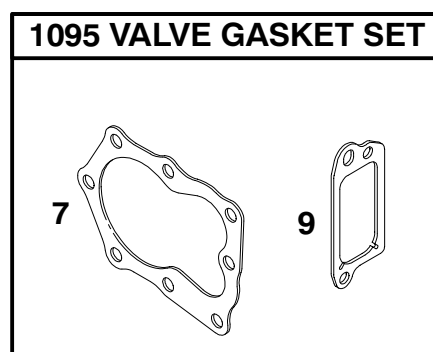
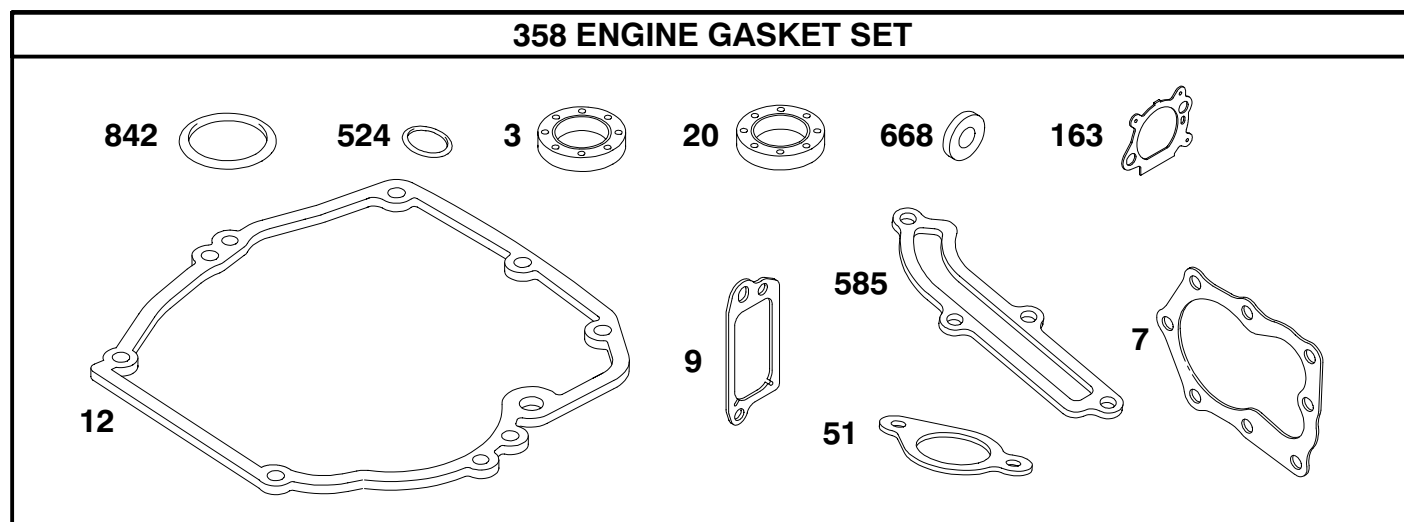


REF. NO.	PART NO.	DESCRIPTION	REF. NO.	PART NO.	DESCRIPTION	REF. NO.	PART NO.	DESCRIPTION
309	695550	Motor-Starter (Used After Code Date 00040600). ----- Note ----- 691376 Motor-Starter (Used Before Code Date 00040700).	783	281127	Gear-Pinion (Starter, 19 Teeth)	803	695266	Housing-Starter (Used After Code Date 00040600). ----- Note ----- 690785 Housing-Starter (Used Before Code Date 00040700).
310	692327	Bolt (Starter Motor)	783A	691269	Gear-Pinion (12 Teeth)	853	695268	Adapter-Wire
510	494147	Drive-Starter	784	692341	Cover-Gear	937	691325	Spline-Starter
513	692358	Clutch-Drive	785	692352	Gasket-Starter Cover			
544	690786	Armature-Starter	801	690782	Cap-Drive			
545	492919	Washer Set (Starter Motor)	802	695267	Cap-End (Used After Code Date 00040600). ----- Note ----- 690787 Cap-End (Used Before Code Date 00040700)			
651	690345	Screw (Starter Gear Cover)						
697	691127	Screw (Drive Cap)						
742	93941	Retainer-E-Ring						

★ Included in Engine Gasket Set-Ref. No. 358.  
● Included in Carburetor Overhaul Kit-Ref. No. 121.

◆ Included in Carburetor Gasket Set-Ref. No. 977.  
Included in Valve Gasket Set-Ref. No. 1095.

# 12V800 to 12V899



REF. NO.	PART NO.	DESCRIPTION	REF. NO.	PART NO.	DESCRIPTION	REF. NO.	PART NO.	DESCRIPTION
3	★299819	Seal-Oil (Magneto Side)	127	●694468	Plug-Welch	633	●●691321	Seal-Choke/Throttle Shaft
7	★ 272916	Gasket-Cylinder Head	134	●398188	Kit-Needle/Seat	668	★493823	Spacer (Includes 2)
9	★ 272481	Gasket-Breather	137	◆693981	Gasket-Float Bowl	842	★280393	Seal-O-Ring (Dipstick)
12	★272198	Gasket-Crankcase	163	◆272653	Gasket-Air Cleaner	977	498261	Gasket Set-Carburetor
20	★399781	Seal-Oil (PTO Side)	276	◆271716	Washer-Sealing	1095	498528	Gasket Set-Valve
51	★272199	Gasket-Intake	358	497316	Gasket Set-Engine			
104	●691242	Pin-Float Hinge	524	★280966	Seal-Dipstick Tube			
121	498260	Kit-Carburetor Overhaul	585	★272238	Gasket-Breather Passage			
			617	◆270344	Seal-O-Ring (Intake Manifold)			

★ Included in Engine Gasket Set-Ref. No. 358.  
● Included in Carburetor Overhaul Kit-Ref. No. 121.

◆ Included in Carburetor Gasket Set-Ref. No. 977.  
● Included in Valve Gasket Set-Ref. No. 1095.