

12S700 to 12S799

Illustrated Parts List

Model Series

12S700 to 12S799

TYPE NUMBERS

0610, 0611, 0613,
0635, 0645, 0646,
0648, 0650, 0651,
0652, 0662, 0663,
0666.

TO FIND THE CORRECT NUMBER OF THE PART YOU NEED: FOLLOW THE INSTRUCTIONS BELOW

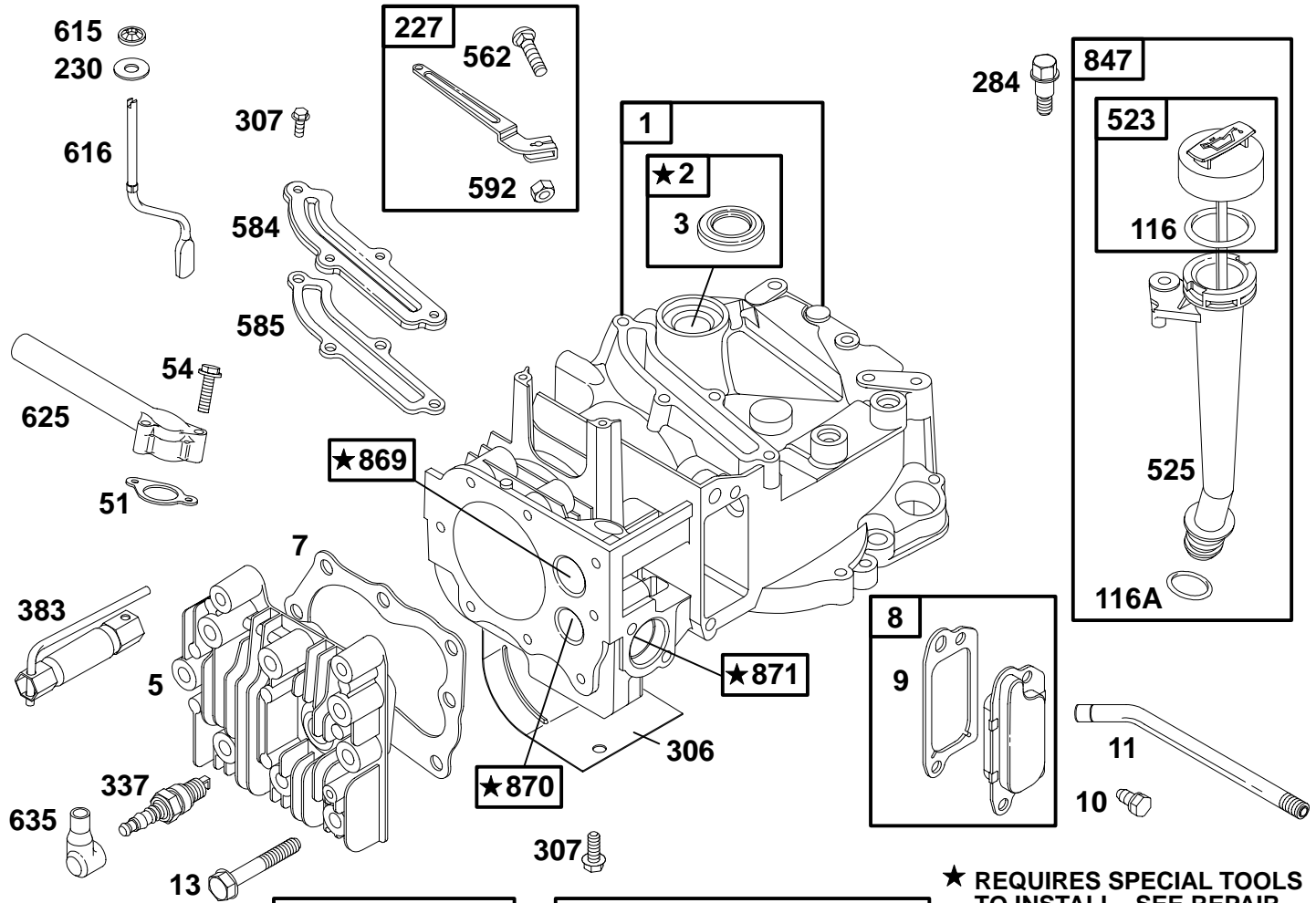
- A. Refer to Engine Model, Type and Code Number that is stamped on the blower housing of engine. Engine type numbers such as 0123 01 are listed only as 0123 in most instances. The two digits (01 or 02, etc.) to the right of the space may be required for more accurate parts identification in some instances. Select the Illustrated Parts List covering the correct Model Series and Type Number.
- B. Refer to the Illustrations and compare the original part with Illustration. The number next to the illustration is the Reference Number. Assemblies include all parts shown in frames. All parts shown in assembly frames having individual reference numbers can be purchased separately.
- C. After the Reference Number has been identified, refer to the Numerical text, where Reference and Primary Part Number are listed. **THE PRIMARY PART IS USED ON ALL TYPE NUMBERS EXCEPT THOSE TYPE NUMBERS UNDER "NOTE."**
- D. If a "Note" appears below the Primary Part Number, it means that this part differs from the Primary Part for certain types. If your Type number is listed under "Note," order the part referred to at the "Note."
- E. If your Engine Type Number does not appear after any part number listed under "Note," use the Primary Part Number.
- F. For Engine Type Numbers not covered by this book, check other Parts Lists having the same engine model or contact your source of supply.

PRINTED IN U.S.A.



COPYRIGHT by BRIGGS & STRATTON CORPORATION
All rights reserved. No part of this material may be reproduced or transmitted, in any form or by any means, electronic or mechanical, including photocopying, recording or by any information storage and retrieval system, without permission in writing from Briggs & Stratton Corporation.

12S700 to 12S799



1019 LABEL KIT

1058 OWNER'S MANUAL

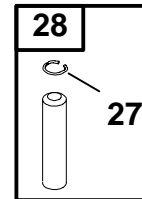
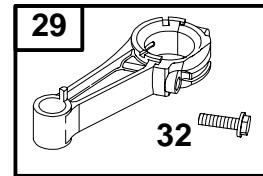
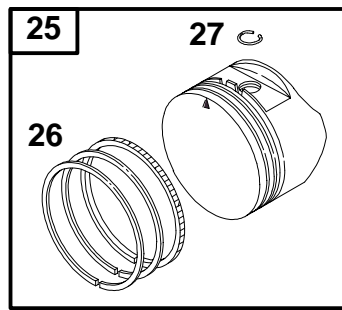
★ **REQUIRES SPECIAL TOOLS TO INSTALL. SEE REPAIR INSTRUCTION MANUAL.**

REF. NO.	PART NO.	DESCRIPTION	REF. NO.	PART NO.	DESCRIPTION	REF. NO.	PART NO.	DESCRIPTION
1	493260	Cylinder Assembly	230	67072	Washer	625	281085	Manifold-Intake
2	293708	Bushing	284	94511	Screw-Shoulder	635	66538	Boot-Spark Plug
3	★299819	Seal-Oil	306	224324	Shield-Cylinder	847	495263	Dipstick/Tube Assembly
5	214626	Head-Cylinder	307	94515	Screw-Hex.	869	213512	Seat-Valve (Intake)
		Note	337	802592	Plug-Spark	870	213513	Seat-Valve (Exhaust)
		214349 Head-Cylinder (Used Before Code Date 96060300).	383	89838	Wrench-Spark Plug	871	262001	Bushing-Guide (Exhaust Valve)
7	★Ø272916	Gasket-Cylinder Head	523	495264	Dipstick			Note
8	495786	Breather Assembly	525	495265	Tube-Oil Fill			63709 Bushing-Guide (Intake Valve)
9	★Ø272481	Gasket-Breather	562	92613	Bolt-Carriage	1019	494256	Label Kit
10	94650	Screw-Hex.	584	224328	Baffle-Cylinder	1058	272262	Owner's Manual
11	231933	Tube-Breather	585	★272238	Gasket-Breather			
13	94547	Screw-Hex.	592	231082	Nut-Hex.			
51	★272199	Gasket-Intake	615	94474	Retainer			
54	94526	Screw-Hex.	616	263175	Crank-Governor			
116	★280393	Seal-O Ring			Note			
116A	★280966	Seal-O Ring			262578 Crank-Governor (Used Before Code Date 96090200).			
227	492349	Lever-Governor						

★ Included in Gasket Set-Part Number 497316.
 ● Included in Carburetor Kit-See Ref. 121.

◆ Included in Carburetor Gasket Set-See Ref. 977.
 ○ Included in Valve Overhaul Gasket Set-Part No. 498528.

12S700 to 12S799

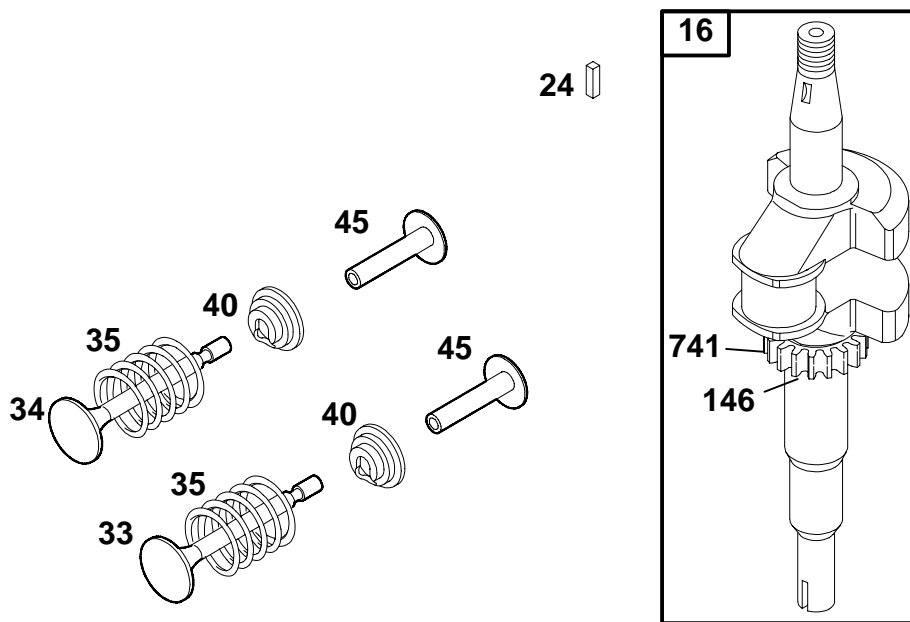


REF. NO.	PART NO.	DESCRIPTION	REF. NO.	PART NO.	DESCRIPTION	REF. NO.	PART NO.	DESCRIPTION
25	499429	Piston Assembly (Standard) Note 493262 Piston Assy. (Standard) (Used Before Code Date 97011300). 493385 Piston Assy. (.010" O.S.) (Used Before Code Date 97011300). 493386 Piston Assy. (.020" O.S.) (Used Before Code Date 97011300). 493387 Piston Assy. (.030" O.S.) (Used Before Code Date 97011300).	26	499425	Ring Set (Standard) Note 493261 Ring Set (Standard) (Used Before Code Date 97011300). 493388 Ring Set (.010" O.S.) (Used Before Code Date 97011300). 493389 Ring Set (.020" O.S.) (Used Before Code Date 97011300). 493390 Ring Set (.030" O.S.) (Used Before Code Date 97011300).	28	499423	Pin-Piston (Standard) Note 298909 Pin-Piston (Standard) (Used Before Code Date 97011300). 298908 Pin-Piston (.005" O.S.) (Used Before Code Date 97011300).
			27	263190	Lock-Piston Pin (Standard) Note 26026 Lock-Piston Pin (Used Before Code Date 97011300).	29	499424	Rod-Connecting (Standard) Note 490566 Rod-Connecting (Standard) (Used Before Code Date 97011300). 490743 Rod-Connecting (.020" Undersize) (Used Before Code Date 97011300).
						32	94699	Screw-Hex.

★ Included in Gasket Set-Part Number 497316.
● Included in Carburetor Kit-See Ref. 121.

◆ Included in Carburetor Gasket Set-See Ref. 977.
◊ Included in Valve Overhaul Gasket Set-Part No. 498528.

12S700 to 12S799

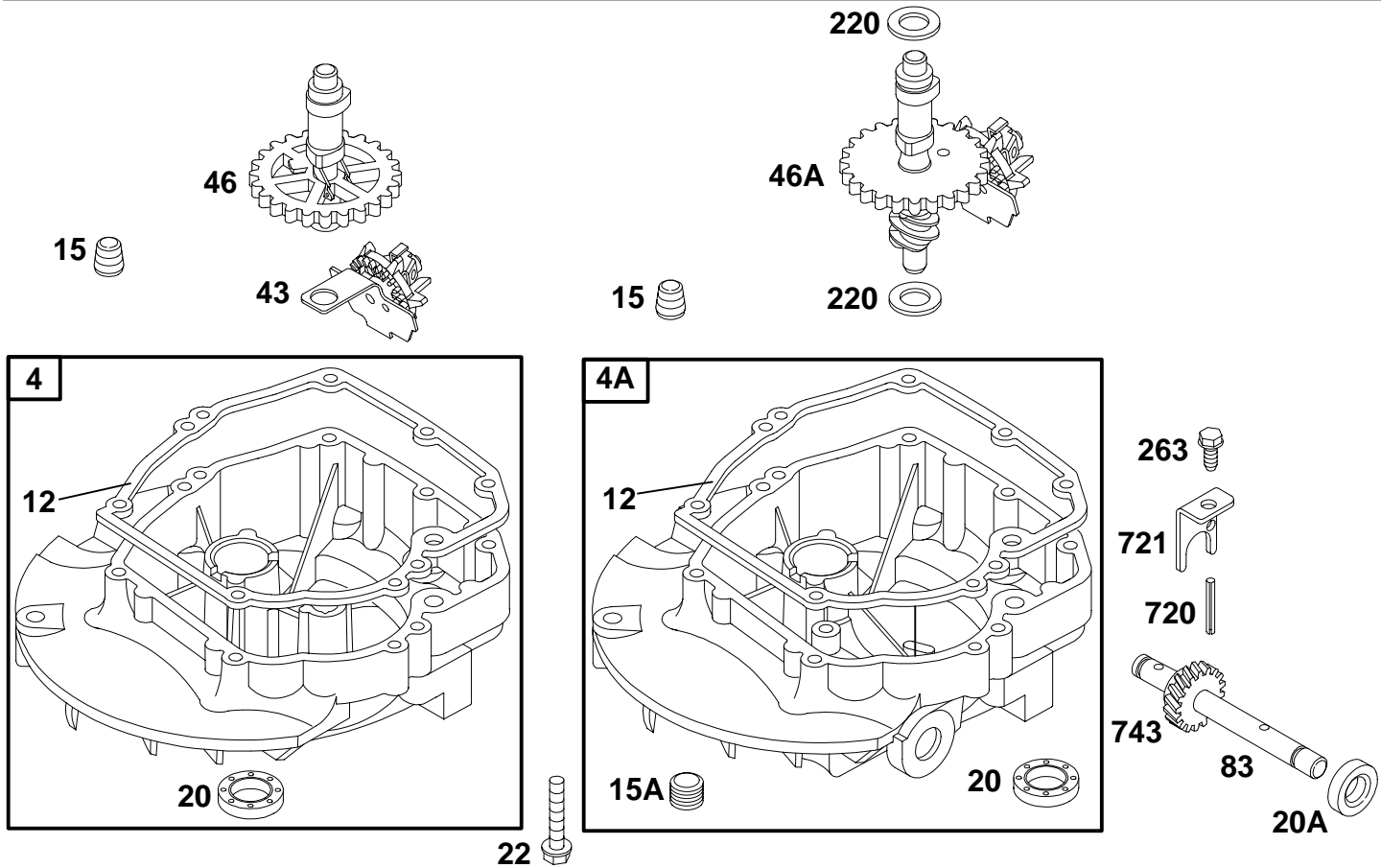


REF. NO.	PART NO.	DESCRIPTION	REF. NO.	PART NO.	DESCRIPTION	REF. NO.	PART NO.	DESCRIPTION																												
16	498566	Crankshaft (Used After Code Date 97011200). Note 493363 Crankshaft (Used Before Code Date 97011300). 498562 Crankshaft (Used After Code Date 97011200). Used on Type No(s). 0613, 0646, 0663. 493282 Crankshaft (Used Before Code Date 97011300). Used on Type No(s). 0613, 0646, 0663. 498565 Crankshaft (Used After Code Date 97011200). Used on Type No(s). 0610.	493362	Crankshaft (Used Before Code Date 97011300). Used on Type No(s). 0610.	24	222698	Key-Flywheel																													
								498569	Crankshaft (Used After Code Date 97011200). Used on Type No(s). 0648.	33	262651	Valve-Exhaust																								
													493946	Crankshaft (Used Before Code Date 97011300). Used on Type No(s). 0648, 0662, 0666.	34	262652	Valve-Intake																			
																		498571	Crankshaft (Used After Code Date 97011200). Used on Type No(s). 0650.	35	262224	Spring-Valve														
																							493947	Crankshaft (Used Before Code Date 97011300). Used on Type No(s). 0650.	40	93312	Retainer-Valve									
																												741	262598	Gear-Timing						
																															146	94388	Key-Timing			
																																		741	262598	Gear-Timing

★ Included in Gasket Set-Part Number 497316.
● Included in Carburetor Kit-See Ref. 121.

◆ Included in Carburetor Gasket Set-See Ref. 977.
◊ Included in Valve Overhaul Gasket Set-Part No. 498528.

12S700 to 12S799

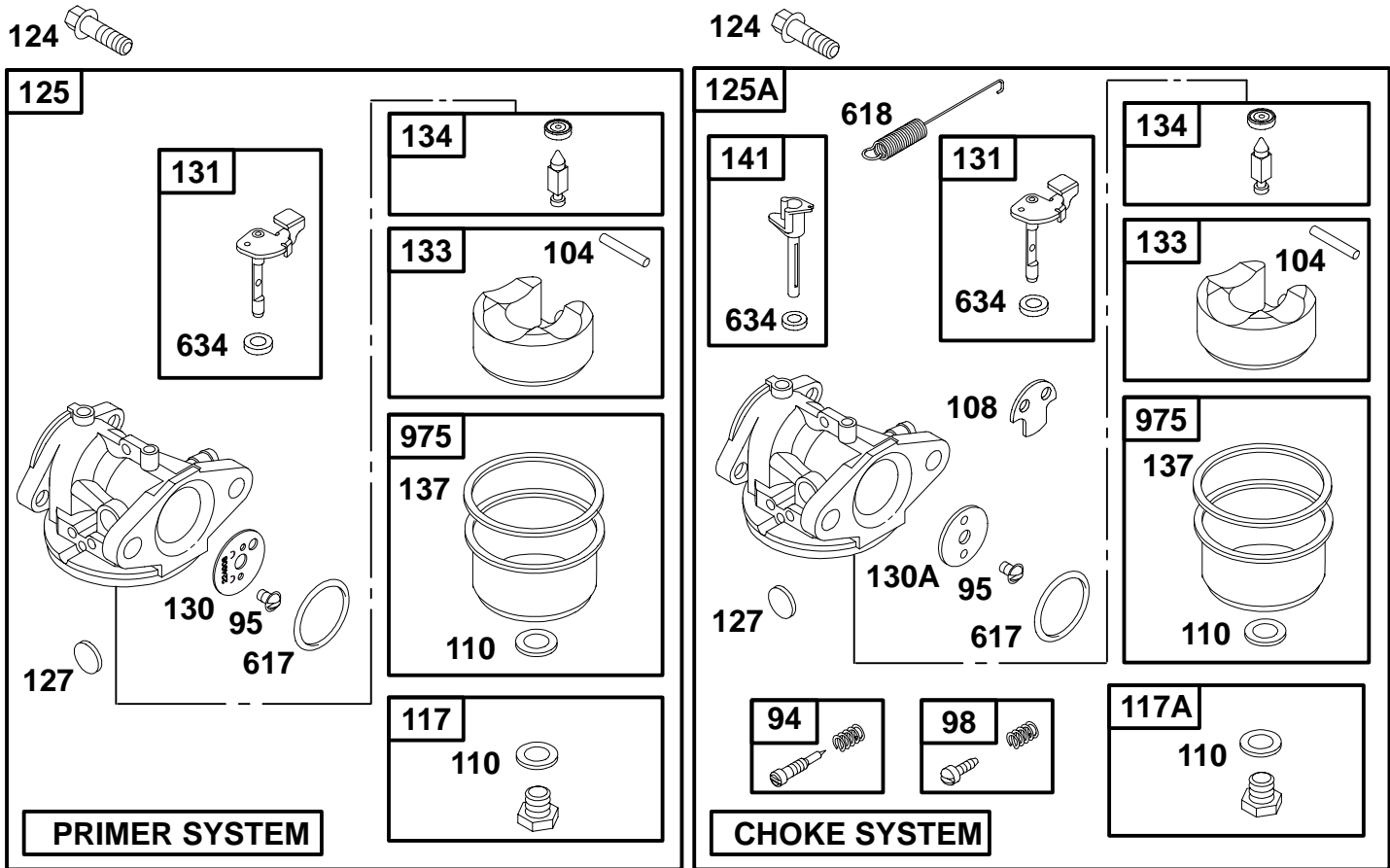


REF. NO.	PART NO.	DESCRIPTION	REF. NO.	PART NO.	DESCRIPTION	REF. NO.	PART NO.	DESCRIPTION
4	493279	Sump-Engine	22	94220	Screw-Hex.	83	231748	Shaft-Auxiliary Drive
4A	493365	Sump-Engine			Note	220	68938	Washer-Thrust
		Include(s):			94612 Screw-Hex.	263	94602	Screw-Hex.
		391484 Seal-Oil			One Used in Hole	720	93474	Pin-Shaft
12	*272198	Gasket-Crankcase			Nearest Breather.	721	224249	Stop-Shaft
15	94720	Plug-Oil Drain	43	493737	Governor/Oil Slinger	743	231279	Gear-Drive
15A	94470	Plug-Oil Drain	46	492828	Gear-Cam			(Counterclockwise)
20	*399781	Seal-Oil	46A	493741	Gear-Cam			
20A	391484	Seal-Oil			(Counterclockwise)			

★ Included in Gasket Set-Part Number 497316.
 ● Included in Carburetor Kit-See Ref. 121.

◆ Included in Carburetor Gasket Set-See Ref. 977.
 ∅ Included in Valve Overhaul Gasket Set-Part No. 498528.

12S700 to 12S799

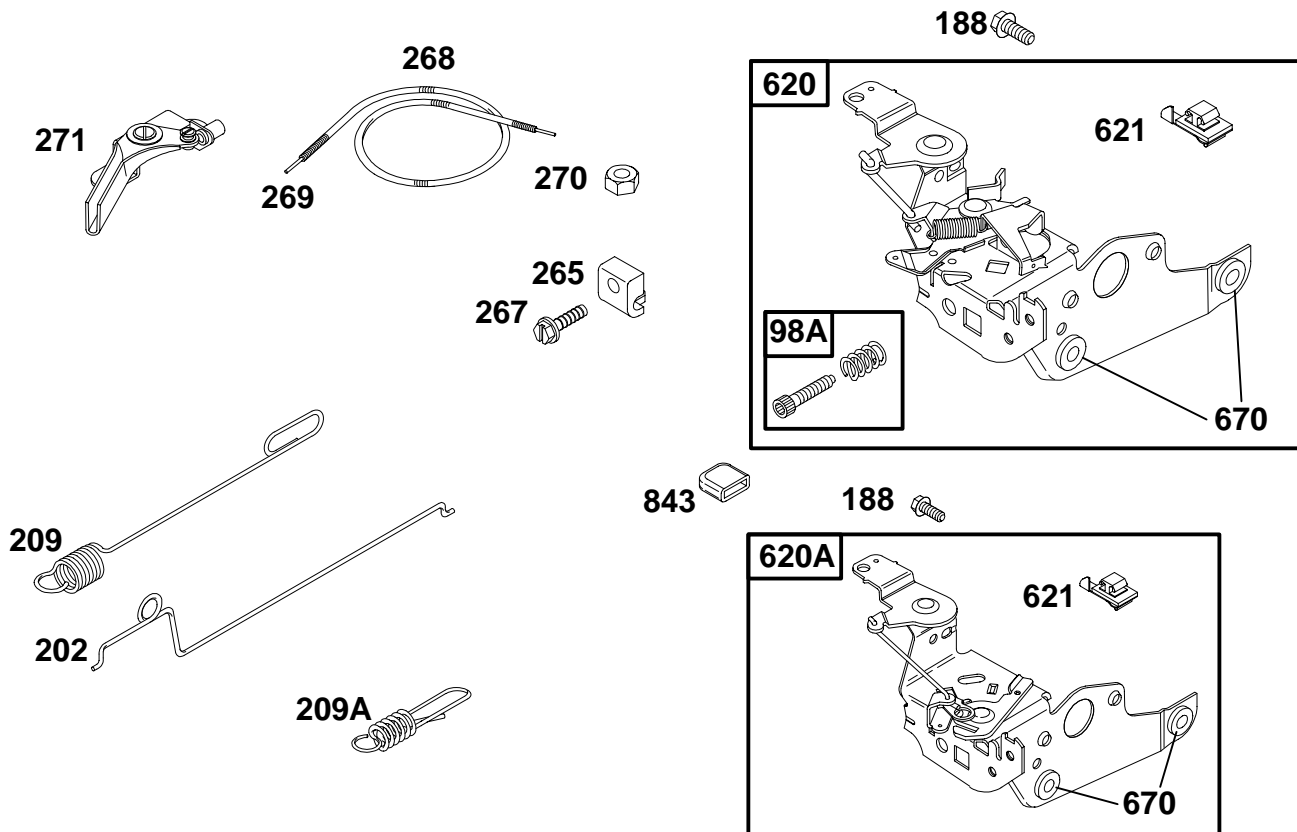


REF. NO.	PART NO.	DESCRIPTION	REF. NO.	PART NO.	DESCRIPTION	REF. NO.	PART NO.	DESCRIPTION
94	●493765	Valve-Idle Adjustment	117A	493637	Jet-Main (Standard)	130A	223470	Valve-Throttle
95	●94098	Screw-Slotted			Note	131	493267	Shaft-Throttle
98	●398185	Screw-Idle Speed			496063 Jet-Main (High Altitude)	133	398187	Float-Carburetor
104	●231371	Pin-Float Hinge	124	94525	Screw-Hex. (Carburetor Mounting)	134	●398188	Valve-Needle
108	●223471	Valve-Choke	125	498254	Carburetor	137	◆	Gasket-Float Bowl (Sold in Kit Only)
110	◆	Washer-Bowl (Sold in Kit Only)			Note	141	494218	Shaft-Choke
117	497466	Jet-Main (Standard)	125A	494216	Carburetor (Used Before Code Date 95103000).	617	◆◆270344	Seal-Intake Manifold
		Note	127	●	Plug-Welch (Sold in Kit Only)	618	262749	Spring
		497315 Jet-Main (Standard) (Used Before Code Date 95103000).	130	224908	Valve-Throttle	634	◆◆	Washer-Foam (Sold in Kit Only)
		496495 Jet-Main (High Altitude)				975	493640	Bowl-Float
		497348 Jet-Main (High Altitude) (Used Before Code Date 95103000).						

★ Included in Gasket Set-Part Number 497316.
● Included in Carburetor Kit-See Ref. 121.

◆ Included in Carburetor Gasket Set-See Ref. 977.
◊ Included in Valve Overhaul Gasket Set-Part No. 498528.

12S700 to 12S799

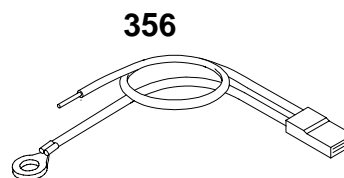
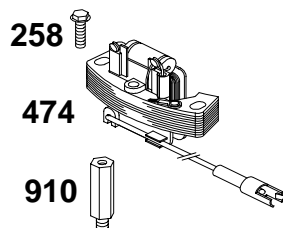
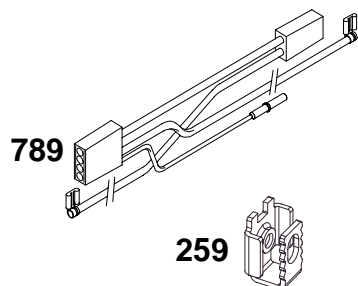
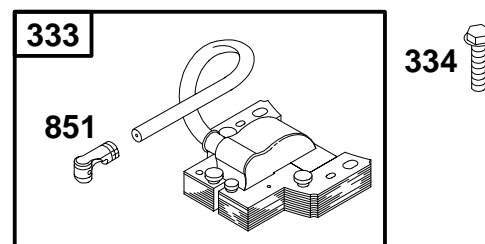
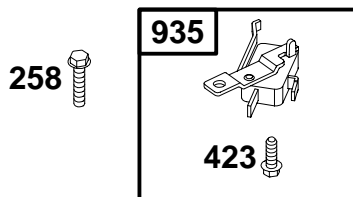
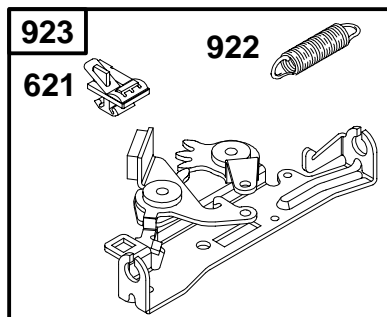


REF. NO.	PART NO.	DESCRIPTION	REF. NO.	PART NO.	DESCRIPTION	REF. NO.	PART NO.	DESCRIPTION
98A	493280	Screw—Idle Speed	268	65616	Casing—Wire (72" Long) (Cut to Required Length)	270	63426	Locknut—Casing
188	94644	Screw—Hex.			Note	271	290568	Lever—Control
202	262579	Link—Mechanical Gov.			66986	495975	Bracket—Control	Used with Choke Type Carburetor
209	263045	Spring—Governor			620A	497203	Bracket—Control	Used with Primer Type Carburetor
		Note						
		263046 Spring—Governor						
		Used on Type No(s). 0610, 0611, 0635, 0645, 0646, 0652, 0662, 0663, 0666.	269	26633	Wire—Control (78" Long) (Cut to Required Length)	621	396847	Switch—Stop
209A	262666	Spring—Governor			Note	670	★493823	Spacer (Includes 2)
		Note			26099	272616	Sleeve—Lever	
		262664 Spring—Governor			Used on Type No(s). 0650.			
265	213146	Clamp—Casing						
267	94694	Screw—Slotted Hex.						

★ Included in Gasket Set—Part Number 497316.
 ● Included in Carburetor Kit—See Ref. 121.

◆ Included in Carburetor Gasket Set—See Ref. 977.
 ◊ Included in Valve Overhaul Gasket Set—Part No. 498528.

12S700 to 12S799

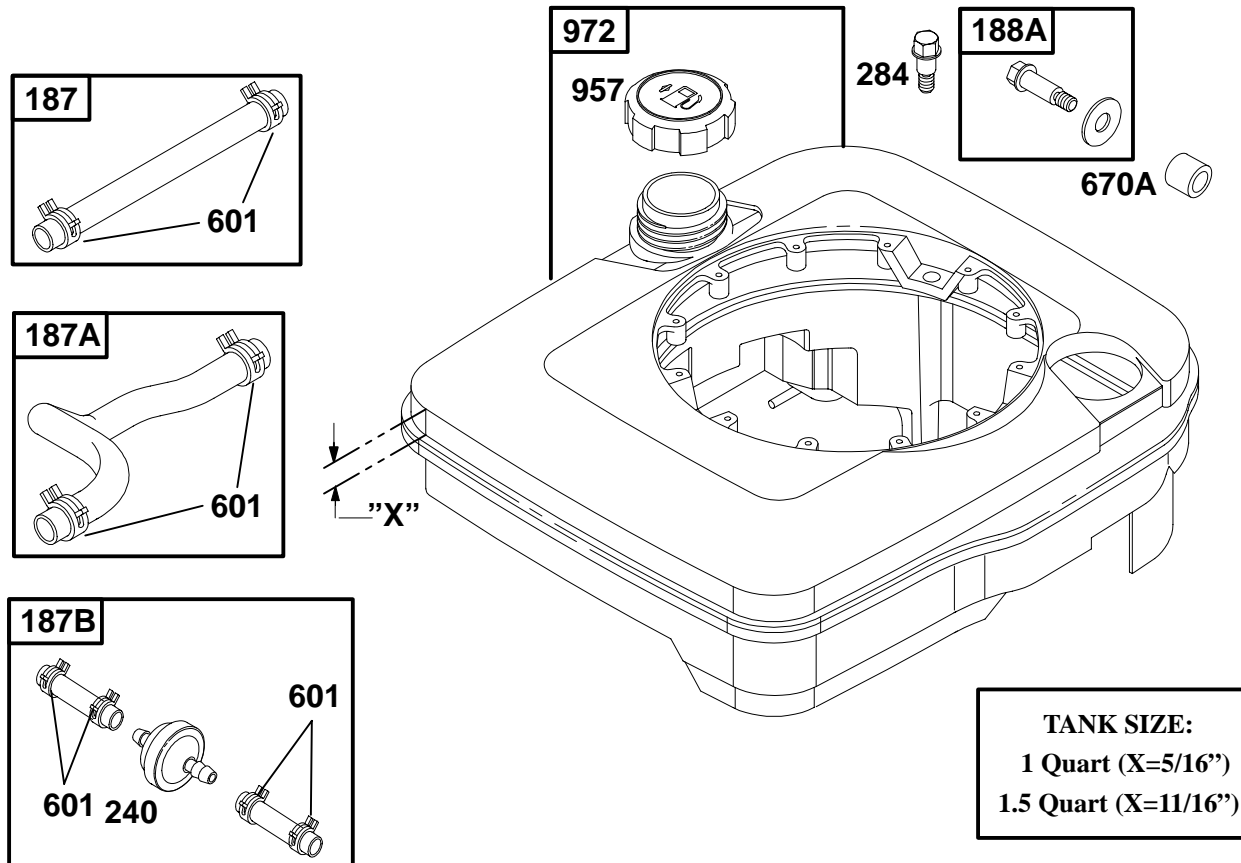


REF. NO.	PART NO.	DESCRIPTION	REF. NO.	PART NO.	DESCRIPTION	REF. NO.	PART NO.	DESCRIPTION
258	94512	Screw—Slotted Hex.	621	396847	Switch—Stop	935	499421	Switch—Interlock
259	224348	Bracket—Casing Clamp	789	493380	Harness—Wiring	Note		
333	802574	Armature—Magneto	851	493880	Terminal—Cable	398758 Switch—		
334	94731	Screw—Hex.	910	94510	Stud—Stator Mounting	Interlock		
356	398808	Wire—Stop	922	262640	Spring—Brake	(Used Before Code		
423	93758	Screw—Hex.	923	493442	Brake	Date 92100700).		
474	492841	Alternator						

★ Included in Gasket Set—Part Number 497316.
● Included in Carburetor Kit—See Ref. 121.

◆ Included in Carburetor Gasket Set—See Ref. 977.
⊘ Included in Valve Overhaul Gasket Set—Part No. 498528.

12S700 to 12S799



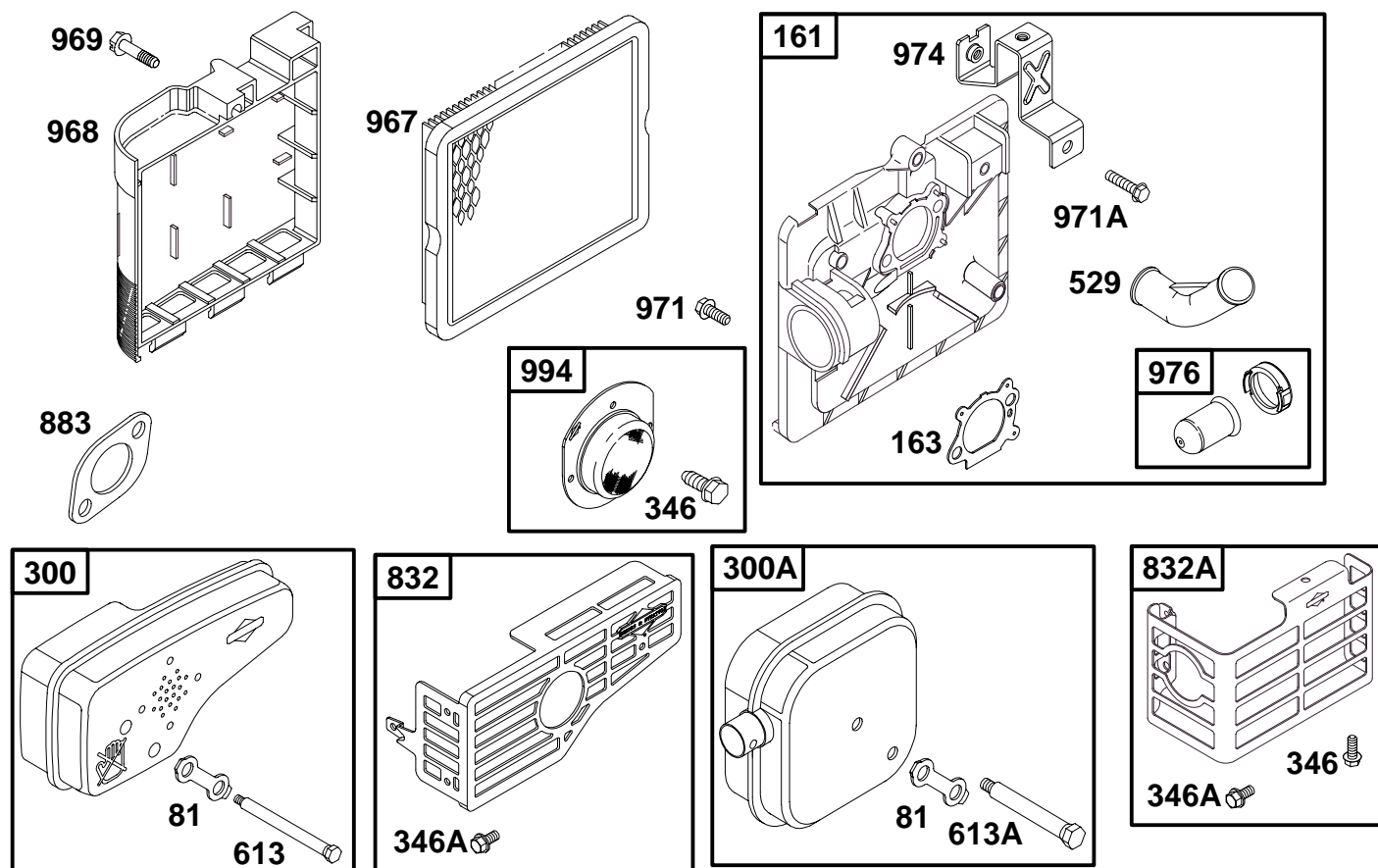
TANK SIZE:
1 Quart (X=5/16'')
1.5 Quart (X=11/16'')

REF. NO.	PART NO.	DESCRIPTION	REF. NO.	PART NO.	DESCRIPTION	REF. NO.	PART NO.	DESCRIPTION
187	492790	Line-Fuel (Cut To Required Length)	601	93053	Clamp-Fuel Line (Green)	972	497227	Tank-Fuel
187A	492791	Line-Fuel (Molded)			Note			497202 Tank-Fuel Used on Type No(s). 0648, 0650.
187B	498171	Line-Fuel	670A	280512	Spacer-Fuel Tank			497226 Tank Assembly-Fuel Used on Type No(s). 0645.
188A	398540	Screw-Shoulder	957	397974	Cap-Fuel Tank			
240	298090	Filter-Fuel						
284	94511	Screw-Shoulder						

★ Included in Gasket Set-Part Number 497316.
 ● Included in Carburetor Kit-See Ref. 121.

◆ Included in Carburetor Gasket Set-See Ref. 977.
 ◊ Included in Valve Overhaul Gasket Set-Part No. 498528.

12S700 to 12S799

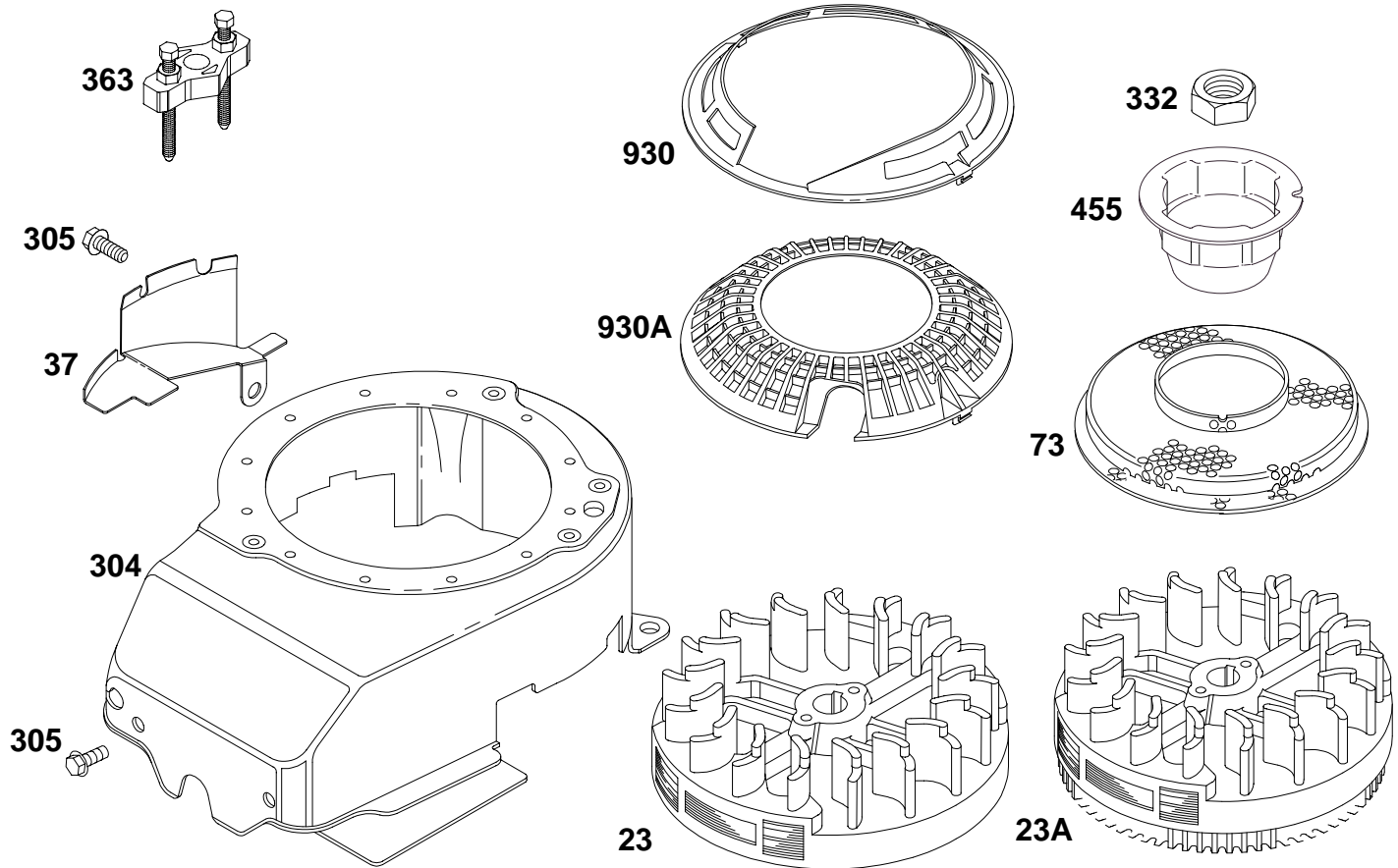


REF. NO.	PART NO.	DESCRIPTION	REF. NO.	PART NO.	DESCRIPTION	REF. NO.	PART NO.	DESCRIPTION
81	223664	Lock-Muffler Screw	529	281299	Grommet	968	281340	Cover-Air Cleaner
161	496116	Base-Air Cleaner	613	94231	Screw-Shoulder	969	94120	Screw-Slotted Hex.
163	◆272653	Gasket-Air Cleaner	613A	94615	Screw-Shoulder	971	94121	Screw-Hex.
300	496106	Muffler-Exhaust	832	494224	Guard-Muffler	971A	94749	Screw-Hex.
300A	494343	Muffler-Exhaust (Square Lo-Tone)	832A	497508	Guard-Muffler	974	224815	Bracket-Support
346	94602	Screw-Hex.	883	★∅272253	Gasket-Exhaust	976	496115	Primer-Carburetor
346A	93705	Screw-Hex.	967	491588	Filter-Air	994	398067	Arrester-Spark

★ Included in Gasket Set-Part Number 497316.
 ● Included in Carburetor Kit-See Ref. 121.

◆ Included in Carburetor Gasket Set-See Ref. 977.
 ∅ Included in Valve Overhaul Gasket Set-Part No. 498528.

12S700 to 12S799

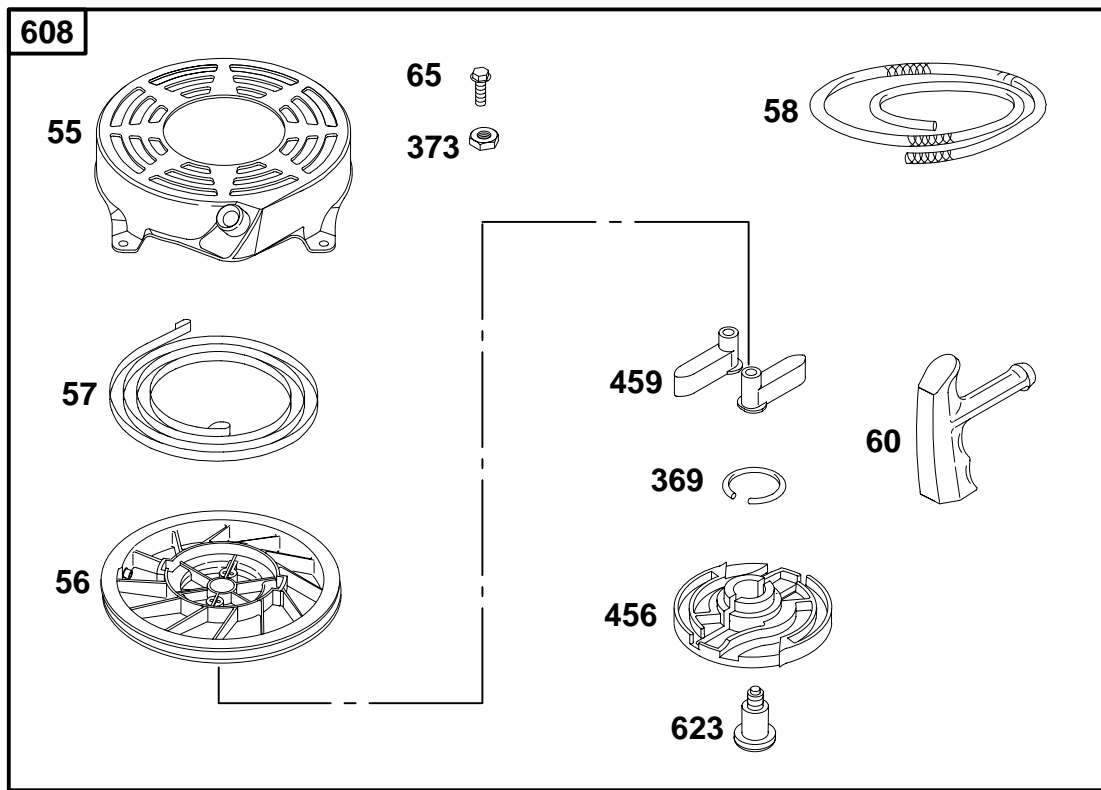


REF. NO.	PART NO.	DESCRIPTION	REF. NO.	PART NO.	DESCRIPTION	REF. NO.	PART NO.	DESCRIPTION
23	492177	Flywheel	304	493293	Housing-Blower (Used on Compliance Engines)	305	94786	Screw-Hex.
23A	492175	Flywheel				332	92284	Nut-Flywheel
37	224511	Guard-Flywheel				363	19069	Flywheel Puller
73	225125	Screen-Rotating				455	225121	Cup-Flywheel
					Note	930	281187	Guard-Rewind
					493294			Housing-Blower (Used on Non-Compliance Engines)
						930A	281136	Guard-Rewind

★ Included in Gasket Set-Part Number 497316.
● Included in Carburetor Kit-See Ref. 121.

◆ Included in Carburetor Gasket Set-See Ref. 977.
⊘ Included in Valve Overhaul Gasket Set-Part No. 498528.

12S700 to 12S799

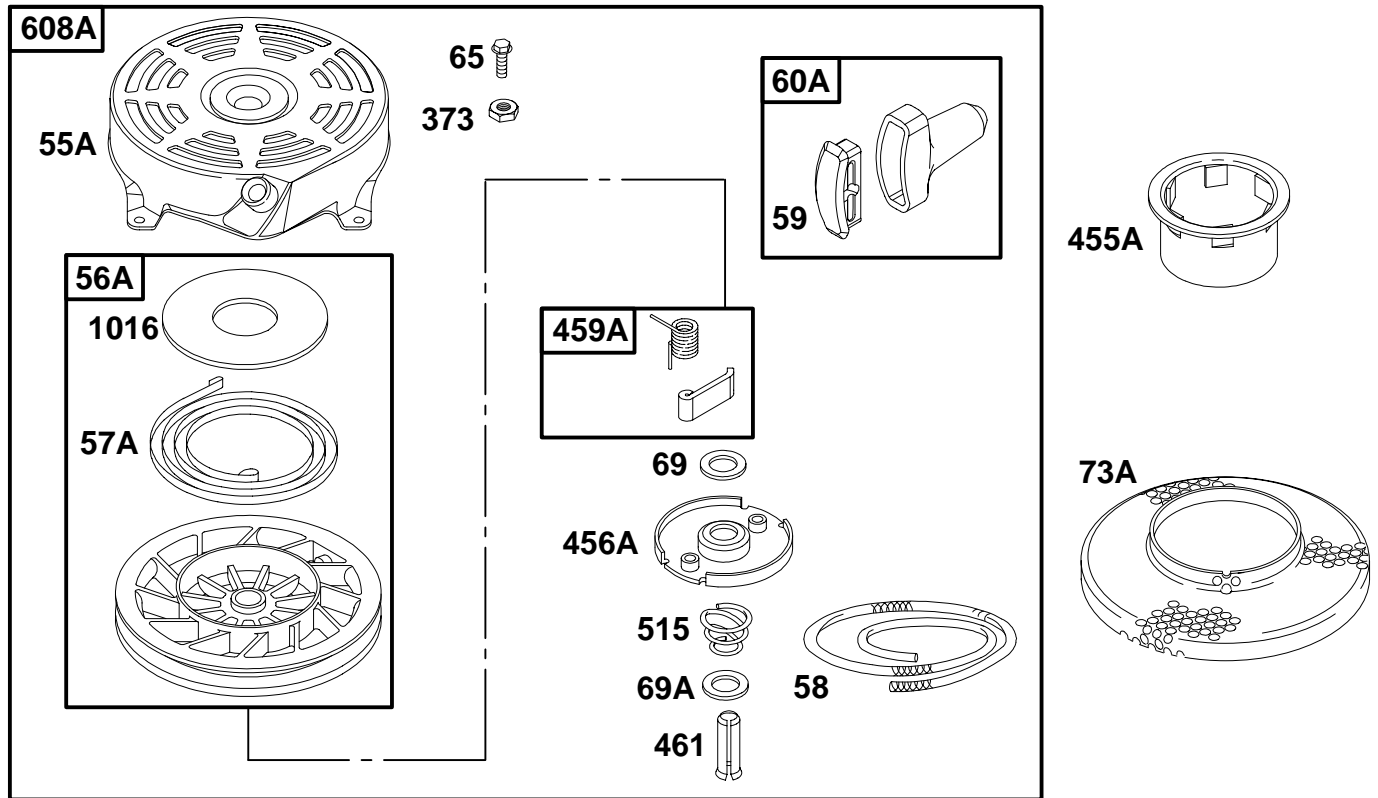


REF. NO.	PART NO.	DESCRIPTION	REF. NO.	PART NO.	DESCRIPTION	REF. NO.	PART NO.	DESCRIPTION
55	497440	Housing-Rewind Starter	60	281434	Grip-Starter Rope	608	497680	Starter-Rewind
56	498144	Pulley-Starter	65	94686	Screw-Hex.	623	94943	Screw-Shoulder
57	263074	Spring-Rewind Starter	369	263073	Spring-Friction			
58	280399	Rope-Starter (Cut To Required Length)	373	92987	Nut-Hex.			
			456	281503	Plate-Pawl Friction			
			459	281505	Pawl-Ratchet			

★ Included in Gasket Set-Part Number 497316.
● Included in Carburetor Kit-See Ref. 121.

◆ Included in Carburetor Gasket Set-See Ref. 977.
⌀ Included in Valve Overhaul Gasket Set-Part No. 498528.

12S700 to 12S799

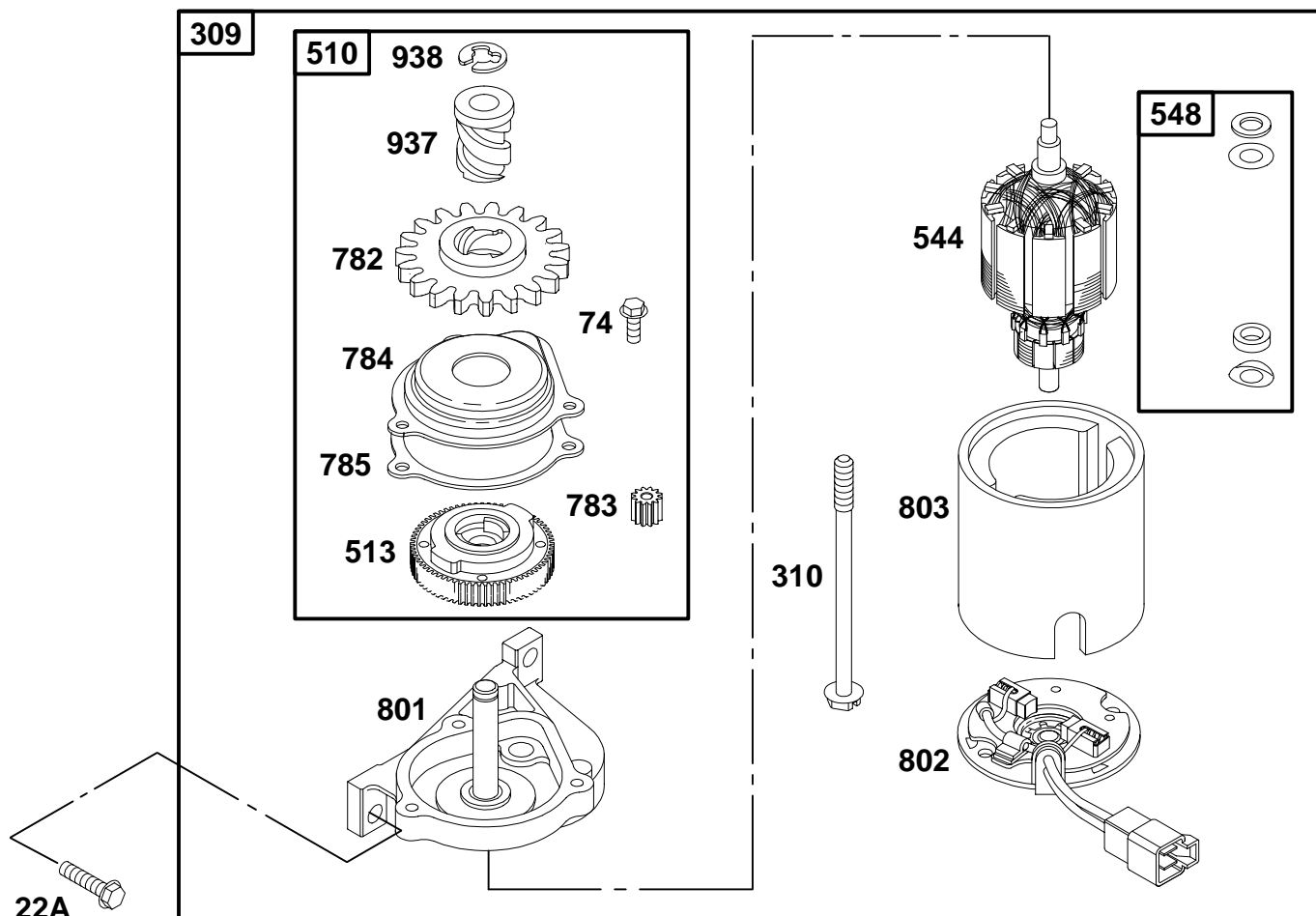


REF. NO.	PART NO.	DESCRIPTION	REF. NO.	PART NO.	DESCRIPTION	REF. NO.	PART NO.	DESCRIPTION
55A	492831	Housing—Rewind Starter	60A	393152	Grip—Starter Rope	459A	492833	Spring—Pawl
56A	493824	Pulley—Starter	65	94686	Screw—Hex.	461	262626	Pin—Shaft
57A	262594	Spring—Rewind Starter	69	280973	Washer	515	262625	Spring—Friction
58	280399	Rope—Starter (Cut To Required Length)	69A	224322	Washer	608A	497598	Starter—Rewind
59	396892	Insert—Grip	73A	224251	Screen—Rotating	Include(s): 225121 Cup—Flywheel (Ref. No. 455).		
			373	92987	Nut—Hex.	1016	224278	Spacer
			455A	224250	Cup—Flywheel			
			456A	224321	Retainer—Spring			

★ Included in Gasket Set—Part Number 497316.
 ● Included in Carburetor Kit—See Ref. 121.

◆ Included in Carburetor Gasket Set—See Ref. 977.
 ◊ Included in Valve Overhaul Gasket Set—Part No. 498528.

12S700 to 12S799

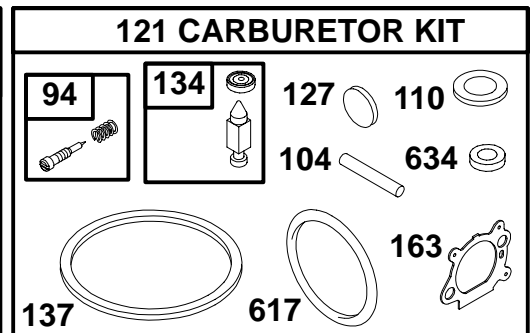
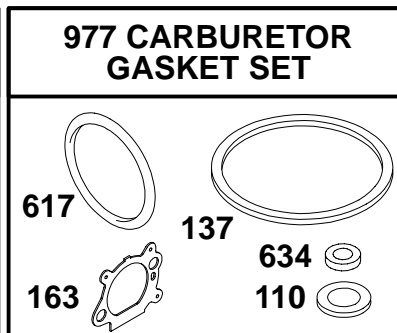
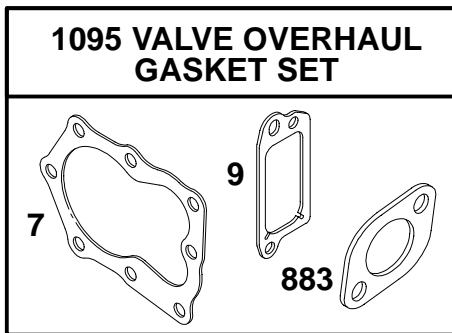
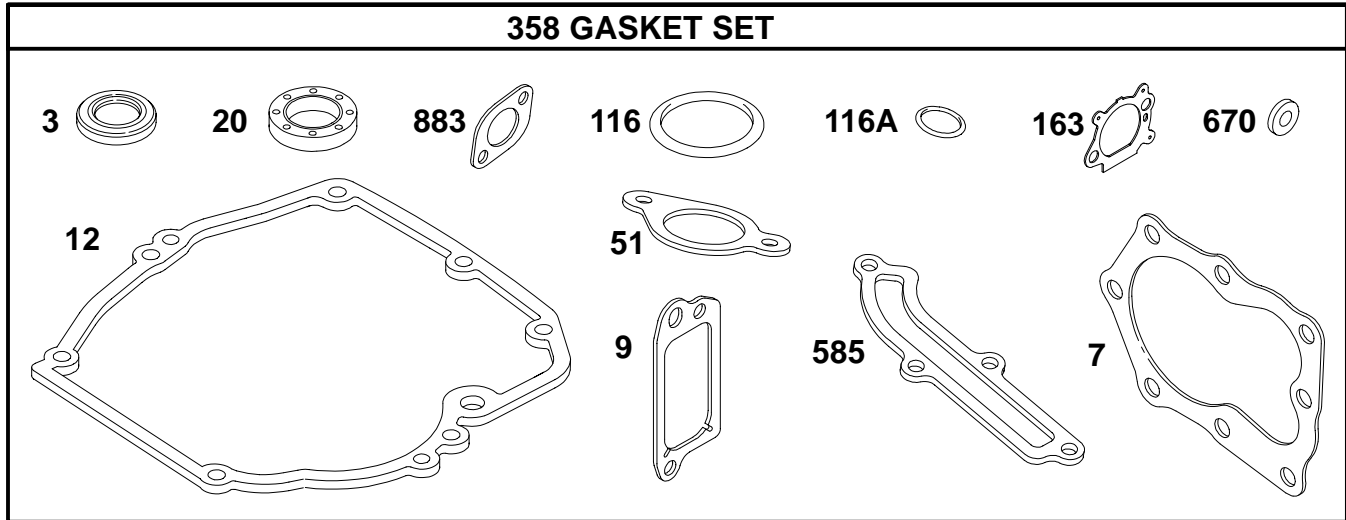


REF. NO.	PART NO.	DESCRIPTION	REF. NO.	PART NO.	DESCRIPTION	REF. NO.	PART NO.	DESCRIPTION
22A	94268	Screw-Hex.	544	492921	Armature-Starter	785	272201	Gasket-Cover
74	93490	Screw-Hex.	548	492919	Washer Set (Starter)	801	492335	Cap-Drive
309	494233	Motor-Starter	782	281127	Gear-Starter	802	492922	Cap-End
310	94051	Screw-Slotted Hex.	783	261606	Gear-Starter	803	492920	Housing-Starter
510	494147	Drive-Starter	784	224262	Cover-Gear	937	281125	Spline-Starter
513	394815	Clutch-Drive				938	93941	Retainer

★ Included in Gasket Set-Part Number 497316.
 ● Included in Carburetor Kit-See Ref. 121.

◆ Included in Carburetor Gasket Set-See Ref. 977.
 ∅ Included in Valve Overhaul Gasket Set-Part No. 498528.

12S700 to 12S799



REF. NO.	PART NO.	DESCRIPTION	REF. NO.	PART NO.	DESCRIPTION	REF. NO.	PART NO.	DESCRIPTION
3	★299819	Seal-Oil	121	498260	Carburetor Kit	634	◆◆	Washer-Foam (Sold in Kit Only)
7	★∅272916	Gasket-Cylinder Head			Note	670	★493823	Spacer (Includes 2)
9	★∅272481	Gasket-Breather			493762 Carburetor Kit (Used Before Code Date 95110300).	883	★∅272253	Gasket-Exhaust
12	★272198	Gasket-Crankcase	127	●	Plug-Welch (Sold in Kit Only)	977	498261	Gasket Set-Carburetor
20	★399781	Seal-Oil	134	●398188	Valve-Needle			Note
51	★272199	Gasket-Intake	137	◆◆	Gasket-Float Bowl (Sold in Kit Only)			490937 Gasket Set-Carburetor (Used Before Code Date 95110300).
94	●493765	Valve-Idle Adjustment	163	★◆◆272653	Gasket-Air Cleaner	1095	498528	Gasket Set-Valve Overhaul
104	●231371	Pin-Float Hinge	358	497316	Gasket Set			
110	◆◆	Washer-Bowl (Sold in Kit Only)	585	★272238	Gasket-Breather			
116	★280393	Seal-O-Ring	617	◆◆270344	Seal-Intake Manifold			
116A	★280966	Seal-O-Ring						

★ Included in Gasket Set-Part Number 497316.
 ● Included in Carburetor Kit-See Ref. 121.

◆◆ Included in Carburetor Gasket Set-See Ref. 977.
 ∅ Included in Valve Overhaul Gasket Set-Part No. 498528.