

12L800 to 12L899

Illustrated Parts List Model Series 12L800 to 12L899

TYPE NUMBERS
0805, 0806, 0870,
0874, 0875, 0876,
0877, 0878, 0879,
1506, 1507, 1505,
1508.

TO FIND THE CORRECT NUMBER OF THE PART YOU NEED: FOLLOW THE INSTRUCTIONS BELOW

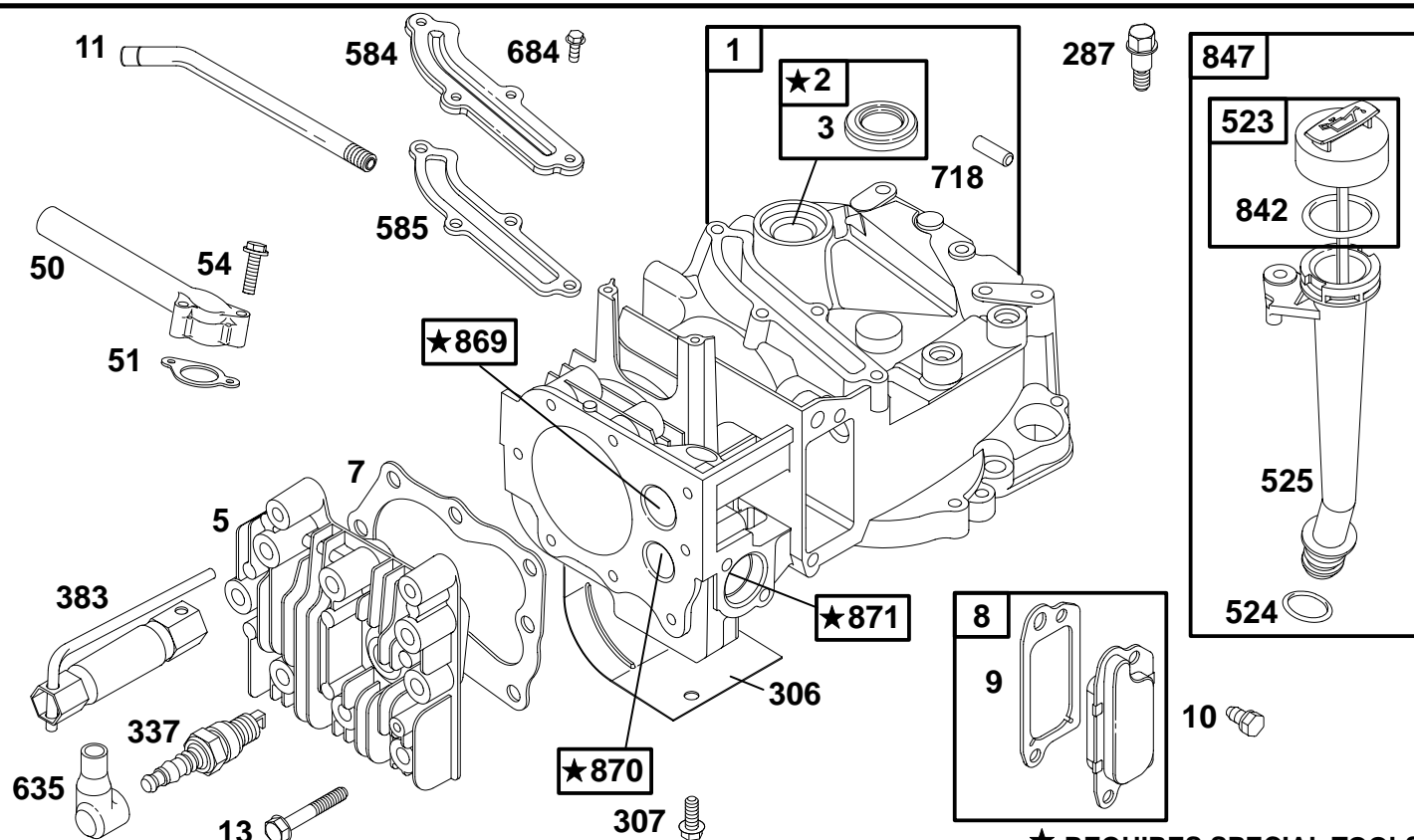
- A. Refer to Engine Model, Type and Code Number that is stamped on the blower housing of engine. Engine type numbers such as 0123 01 are listed only as 0123 in most instances. The two digits (01 or 02, etc.) to the right of the space may be required for more accurate parts identification in some instances. Select the Illustrated Parts List covering the correct Model Series and Type Number.
- B. Refer to the Illustrations and compare the original part with Illustration. The number next to the illustration is the Reference Number. Assemblies include all parts shown in frames. All parts shown in assembly frames having individual reference numbers can be purchased separately.
- C. After the Reference Number has been identified, refer to the Numerical text, where Reference and Primary Part Number are listed. **THE PRIMARY PART IS USED ON ALL TYPE NUMBERS EXCEPT THOSE TYPE NUMBERS UNDER "NOTE."**
- D. If a "Note" appears below the Primary Part Number, it means that this part differs from the Primary Part for certain types. If your Type number is listed under "Note," order the part referred to at the "Note."
- E. If your Engine Type Number does not appear after any part number listed under "Note," use the Primary Part Number.
- F. For Engine Type Numbers not covered by this book, check other Parts Lists having the same engine model or contact your source of supply.

PRINTED IN U.S.A.



COPYRIGHT by BRIGGS & STRATTON CORPORATION
All rights reserved. No part of this material may be reproduced or transmitted, in any form or by any means, electronic or mechanical, including photocopying, recording or by any information storage and retrieval system, without permission in writing from Briggs & Stratton Corporation.

12L800 to 12L899



1019 LABEL KIT

1058 OWNER'S MANUAL

★ REQUIRES SPECIAL TOOLS TO INSTALL. SEE REPAIR INSTRUCTION MANUAL.

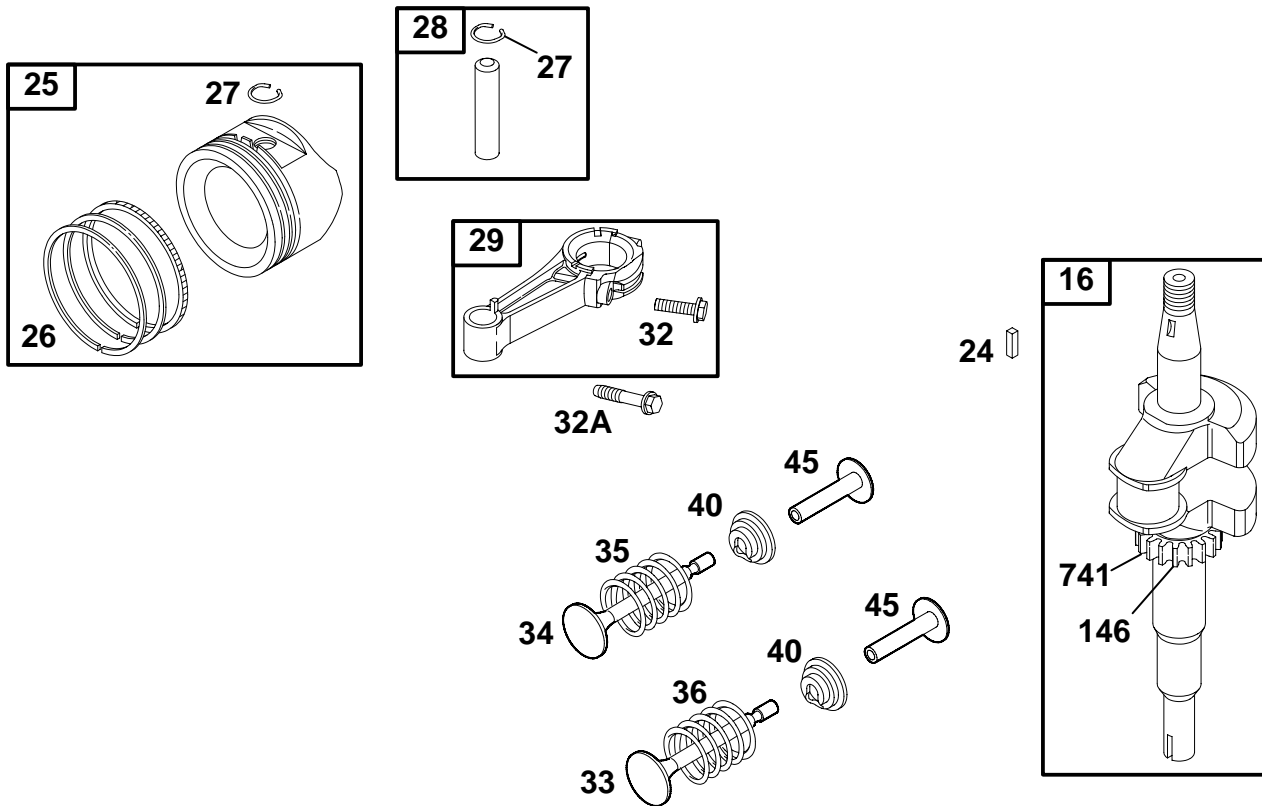
REF. NO.	PART NO.	DESCRIPTION	REF. NO.	PART NO.	DESCRIPTION	REF. NO.	PART NO.	DESCRIPTION
1	494062	Cylinder Assembly	51	★272199	Gasket-Intake	718	230192	Pin-Locating
2	399269	Kit-Bushing/Seal (Magneto Side)	54	94526	Screw (Intake Manifold)	842	★280393	Seal-O Ring (Tube and Dipstick/ Cap Combo Only)
3	★299819	Seal-Oil (Magneto Side)	287	94511	Screw (Dipstick Tube)	847	495263	Dipstick/Tube Assembly
5	691160	Head-Cylinder (Used After Code Date 98062100.	306	690450	Shield-Cylinder	869	691155	Seat-Valve (Intake)
		Note	307	690345	Screw (Cylinder Shield)	870	690380	Seat-Valve (Exhaust)
		214626 Head-Cylinder (Used Before Code Date 98062200).	337	802592	Sparkplug	871	262001	Valve-Bushing Guide (Exhaust Valve)
7	★Ø272916	Gasket-Cylinder Head	383	89838	Wrench-Sparkplug			Note
8	695250	Breather Assembly	523	495264	Dipstick			63709 Valve-Bushing Guide (Intake Valve)
9	★Ø272481	Gasket-Breather	524	★280966	Seal-Dipstick Tube			
10	94650	Screw (Breather Assembly)	525	495265	Tube-Dipstick			
11	231933	Tube-Breather	584	692342	Cover-Breather Passage			
13	94547	Screw (Cylinder Head)	585	★272238	Gasket-Breather Passage			
50	497465	Manifold-Intake	635	66538	Boot-Sparkplug	1019	494256	Kit-Label
			684	690345	Screw (Breather Passage Cover)	1058	272262	Owner's Manual (Non Emission)

★ Included in Engine Gasket Set-See Ref. No. 358.

● Included in Carburetor Overhaul Kit-See Ref. No. 121.

◆ Included in Carburetor Gasket Set-See Ref. No. 977.

Ø Included in Valve Gasket Set-See Ref. No. 1095.



REF. NO.	PART NO.	DESCRIPTION	REF. NO.	PART NO.	DESCRIPTION	REF. NO.	PART NO.	DESCRIPTION
16	691454	Crankshaft _____ Note _____ 691451 Crankshaft Used on Type No(s). 0806, 1507, 1508. 691452 Crankshaft Used on Type No(s). 0805, 1505, 1506.	26	499425	Ring Set (Standard) _____ Note _____ 499426 Ring Set (.010" O.S.) 499427 Ring Set (.020" O.S.) 499428 Ring Set (.030" O. S.)	33	262651	Valve-Exhaust
24	222698	Key-Flywheel	27	263190	Lock-Piston Pin	34	262652	Valve-Intake
25	499433	Piston Assembly-Std (Standard) _____ Note _____ 499434 Piston Assembly (.010" O.S.) 499435 Piston Assembly (.020" O.S.) 499436 Piston Assembly (.030" O.S.)	28	499423	Pin-Piston	35	691270	Spring-Valve (Intake)
			29	499424	Rod-Connecting	36	691270	Spring-Valve (Exhaust)
			32	94699	Screw (Connecting Rod)	40	93312	Retainer-Valve
			32A	695759	Screw (Connecting Rod) (Used After Code Date 00042200).	45	690548	Tappet-Valve
						146	94388	Key-Timing
						741	262598	Gear-Timing

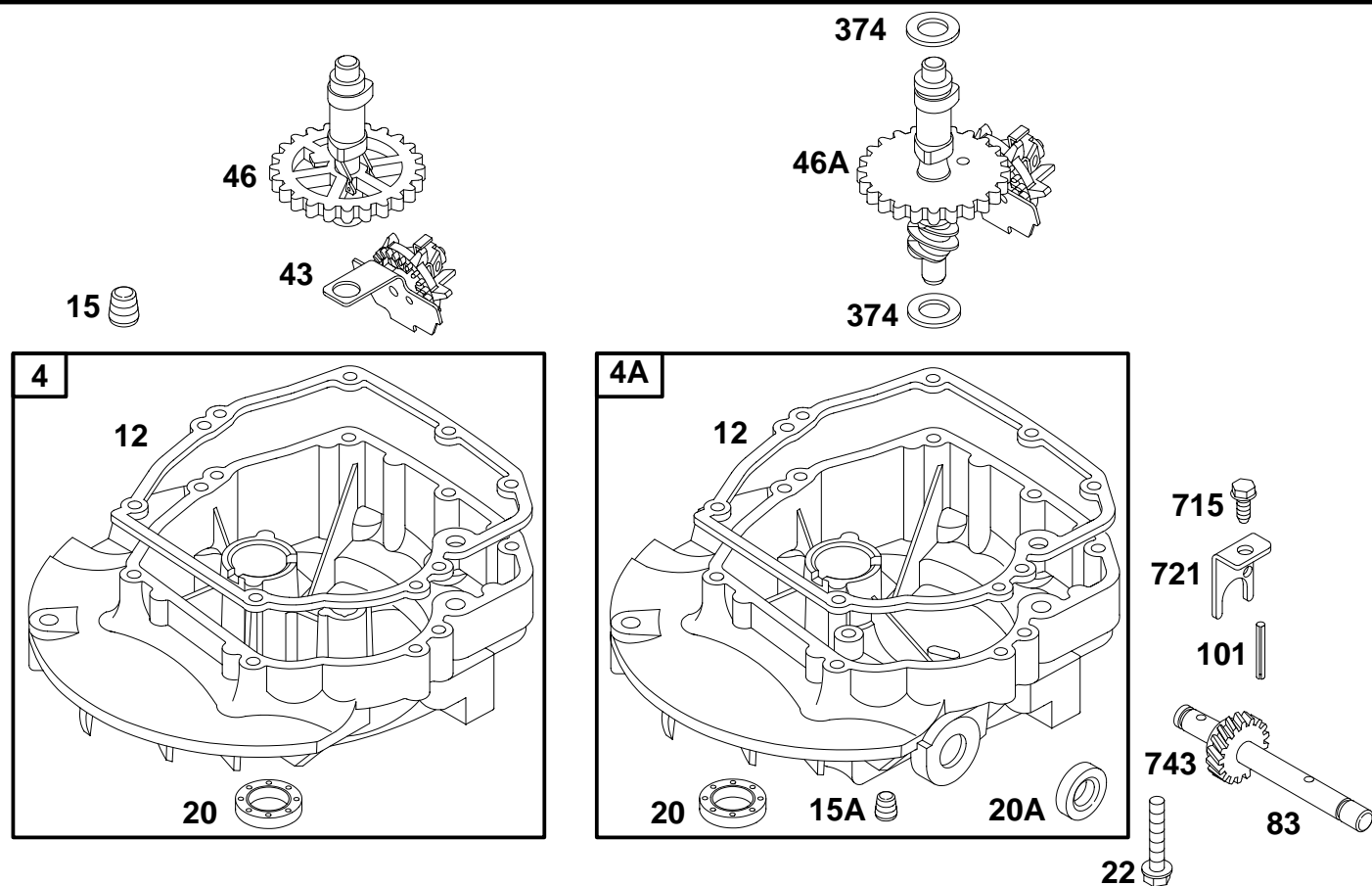
★ Included in Engine Gasket Set-See Ref. No. 358.

● Included in Carburetor Overhaul Kit-See Ref. No. 121.

◆ Included in Carburetor Gasket Set-See Ref. No. 977.

⊗ Included in Valve Gasket Set-See Ref. No. 1095.

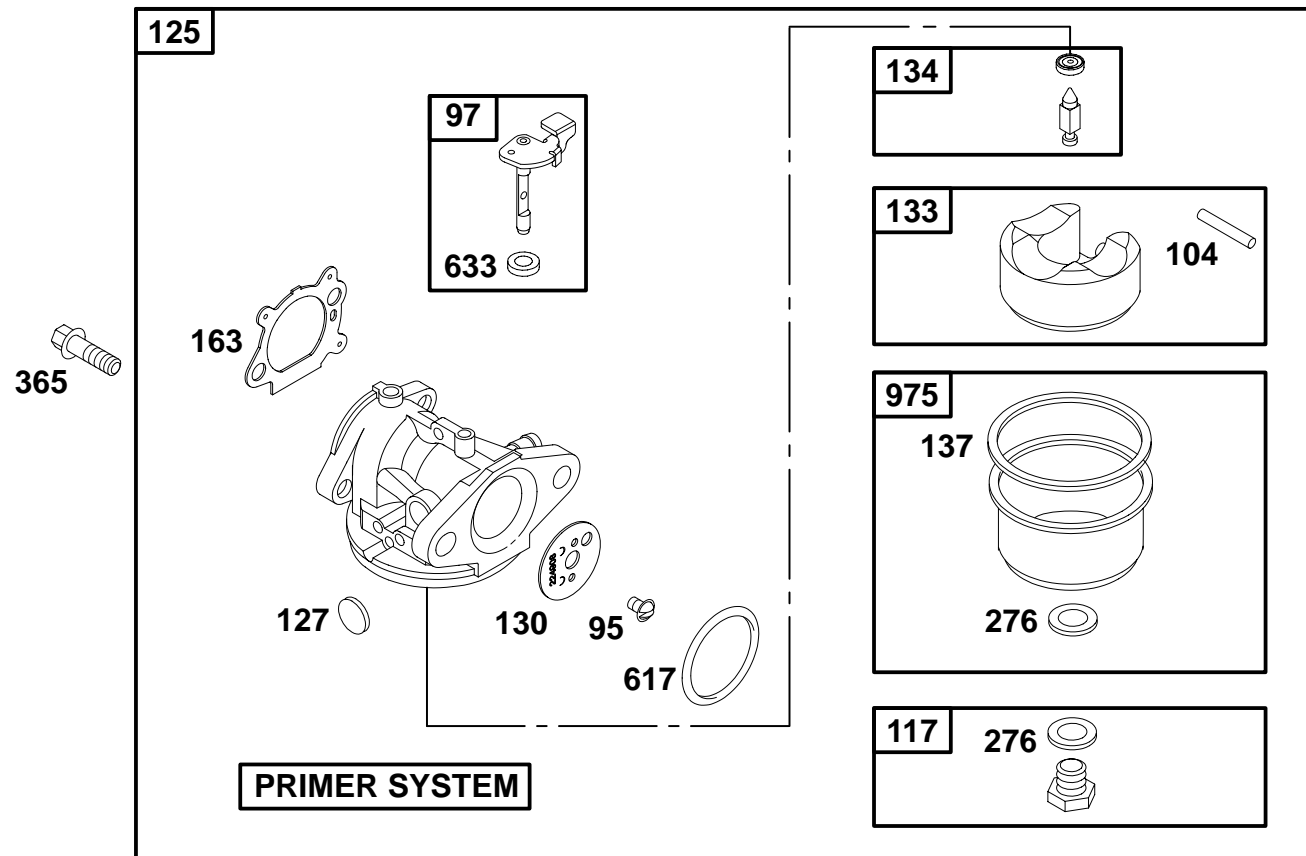
12L800 to 12L899



REF. NO.	PART NO.	DESCRIPTION	REF. NO.	PART NO.	DESCRIPTION	REF. NO.	PART NO.	DESCRIPTION	
4	493279	Sump-Engine	20A	391484	Seal-Oil (Auxiliary PTO)	46	691449	Camshaft	
4A	493365	Sump-Engine (Auxiliary Drive)	22	691092	Screw (Crankcase Cover/Sump)	46A	691459	Camshaft (Counter Clockwise)	
12	★272198	Gasket-Crankcase			Note	83	231671	Shaft-Auxiliary Drive	
15	94880	Plug-Oil Drain (Square Socket)			94612	Screw (Crankcase Cover/Sump)	101	93474	Pin-Shaft (Drive Gear)
15A	691093	Plug-Oil Drain (Hex Socket)					374	691074	Washer (Camshaft)
20	★399781	Seal-Oil (PTO Side)	43	493737	Slinger-Governor/Oil	715	94929	Screw (Shaft Stop)	
						721	690449	Stop-Shaft	
						743	231279	Gear-Drive	

★ Included in Engine Gasket Set-See Ref. No. 358.
 ● Included in Carburetor Overhaul Kit-See Ref. No. 121.

◆ Included in Carburetor Gasket Set-See Ref. No. 977.
 ∅ Included in Valve Gasket Set-See Ref. No. 1095.

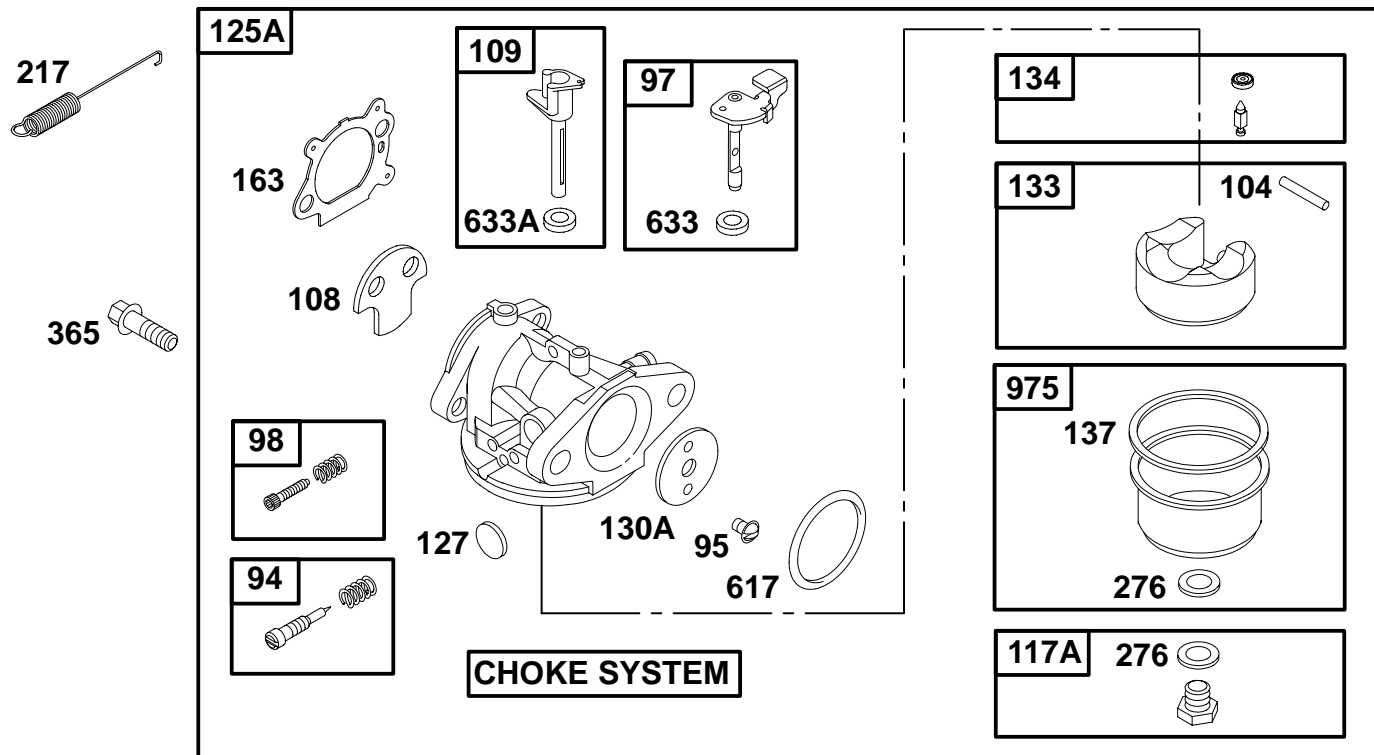


REF. NO.	PART NO.	DESCRIPTION	REF. NO.	PART NO.	DESCRIPTION	REF. NO.	PART NO.	DESCRIPTION
95	94098	Screw (Throttle Valve)	125	498966	Carburetor (Primer System)	276	◆271716	Washer-Sealing
97	493267	Shaft-Throttle	127	●694468	Plug-Welch	365	94840	Screw (Carburetor)
104	●691242	Pin-Float Hinge	130	691203	Valve-Throttle	617	◆270344	Seal-O Ring (Intake Manifold)
117	498975	Jet-Main (Standard)	133	398187	Float-Carburetor	633	◆691321	Seal-Choke/Throttle Shaft
		Note	134	●398188	Kit-Needle/Seat	975	493640	Bowl-Float
		496495 Jet-Main (High Altitude)	137	◆693981	Gasket-Float Bowl			
			163	◆272653	Gasket-Air Cleaner			

★ Included in Engine Gasket Set—See Ref. No. 358.
● Included in Carburetor Overhaul Kit—See Ref. No. 121.

◆ Included in Carburetor Gasket Set—See Ref. No. 977.
⊘ Included in Valve Gasket Set—See Ref. No. 1095.

12L800 to 12L899



REF. NO.	PART NO.	DESCRIPTION	REF. NO.	PART NO.	DESCRIPTION	REF. NO.	PART NO.	DESCRIPTION
94	493765	Kit-Idle Mixture	125A	498964	Carburetor (Choke System) (Used After Code Date 96060200).	134	◆398188	Kit-Needle/Seat
95	94098	Screw (Throttle Valve)				137	◆◆693981	Gasket-Float Bowl
97	493267	Shaft-Throttle				163	★◆272653	Gasket-Air Cleaner
98	398185	Kit-Idle Speed				217	262749	Spring-Choke Return
104	◆691242	Pin-Float Hinge				276	◆◆271716	Washer-Sealing
108	691182	Valve-Choke				365	94840	Screw (Carburetor)
109	494218	Shaft-Choke				617	◆◆270344	Seal-O Ring (Intake Manifold)
117A	498976	Jet-Main (Standard) (Used After Code Date 96060200).				633	◆◆691321	Seal-Choke/Throttle Shaft
		Note _____				633A	◆◆693867	Seal-Choke/Throttle Shaft
		496063 Jet-Main (Standard) (Used Before Code Date 96060300).	127	◆694468	Plug-Welch	975	493640	Bowl-Float
		498977 Jet-Main (High Altitude) (Used After Code Date 96060200).	130A	691181	Valve-Throttle			
		497315 Jet-Main (High Altitude) (Used Before Code Date 96060300).	133	398187	Float-Carburetor			

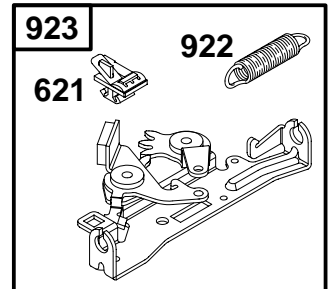
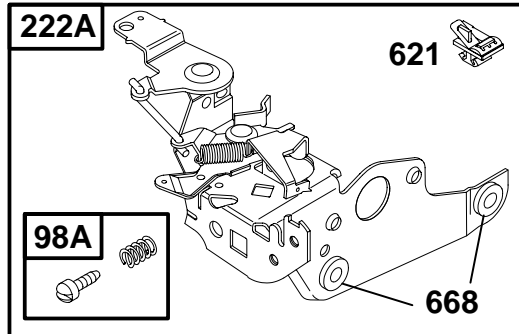
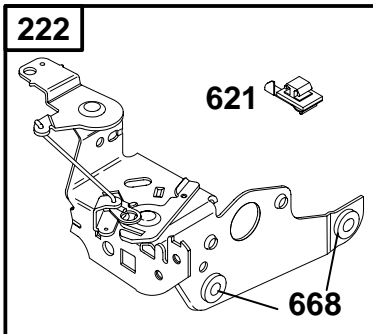
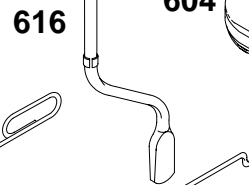
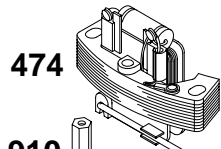
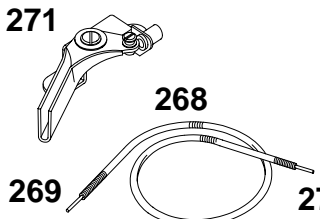
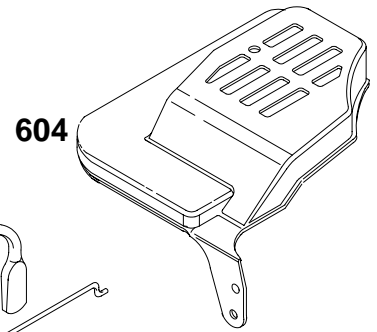
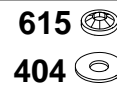
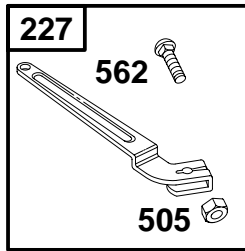
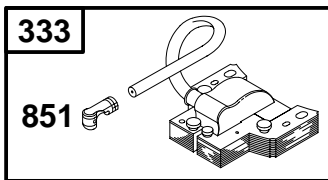
★ Included in Engine Gasket Set-See Ref. No. 358.

● Included in Carburetor Overhaul Kit-See Ref. No. 121.

◆ Included in Carburetor Gasket Set-See Ref. No. 977.

⊗ Included in Valve Gasket Set-See Ref. No. 1095.

12L800 to 12L899

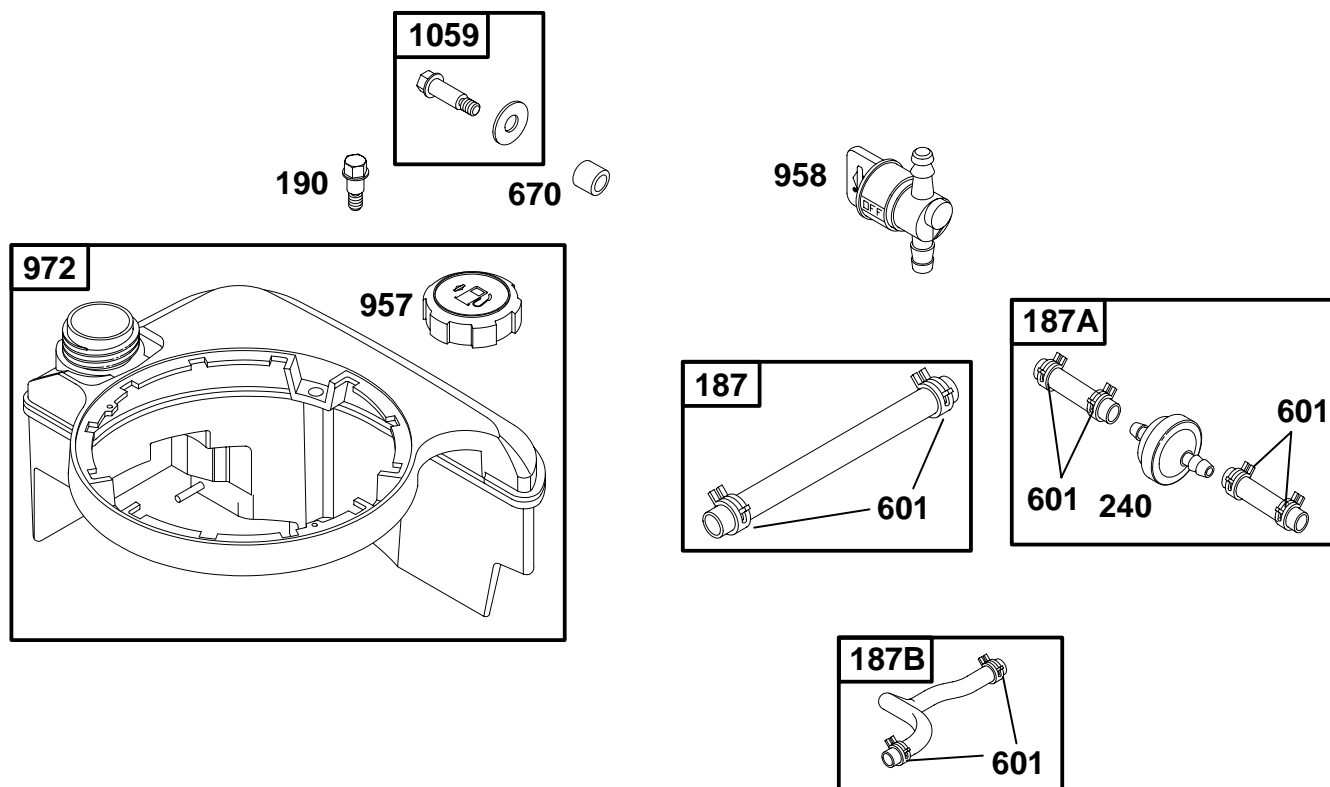


REF. NO.	PART NO.	DESCRIPTION	REF. NO.	PART NO.	DESCRIPTION	REF. NO.	PART NO.	DESCRIPTION
98A	493280	Kit—Idle Speed	267	94882	Screw (Casing Clamp)	562	94852	Screw (Governor Control Lever)
188	94644	Screw (Control Bracket)	268	691072	Casing—Control Wire (Cut to Required Length)	564	691132	Screw (Control Cover)
202	262579	Link—Mechanical Governor	269	26099	Wire—Control (Cut to Required Length)	604	225103	Cover—Control
209	691292	Spring—Governor (Black)	270	63426	Nut (Control Wire Casing)	615	690340	Retainer—Governor Shaft
		Note	271	290568	Lever—Control	616	691306	Crank—Governor
		262666 Spring—Governor (Meadow Green) Used on Type No(s) 0805, 0806, 1505, 1506, 1507, 1508.	333	802574	Armature—Magneto	621	396847	Switch—Stop
222	497203	Bracket—Control (Primer Remote/Manual Friction)	334	94731	Screw (Magneto Armature)	668	*493823	Spacer (Includes 2)
222A	495975	Bracket—Control (Remote Choke A Matic Non Compliance)	356	692390	Wire—Stop (1 Wire Insulated Flat Terminal, Bare Wire)	745	94512	Screw (Brake)
227	690783	Lever—Governor Control	404	690272	Washer (Governor Crank)	851	493880	Terminal—Sparkplug
265	213146	Clamp—Casing	474	492841	Alternator	910	691094	Stud (Alternator)
			505	231082	Nut (Governor Control Lever)	922	262640	Spring—Brake
						923	493442	Brake
						1119	94512	Screw (Alternator)

* Included in Engine Gasket Set—See Ref. No. 358.
 • Included in Carburetor Overhaul Kit—See Ref. No. 121.

◆ Included in Carburetor Gasket Set—See Ref. No. 977.
 ⊘ Included in Valve Gasket Set—See Ref. No. 1095.

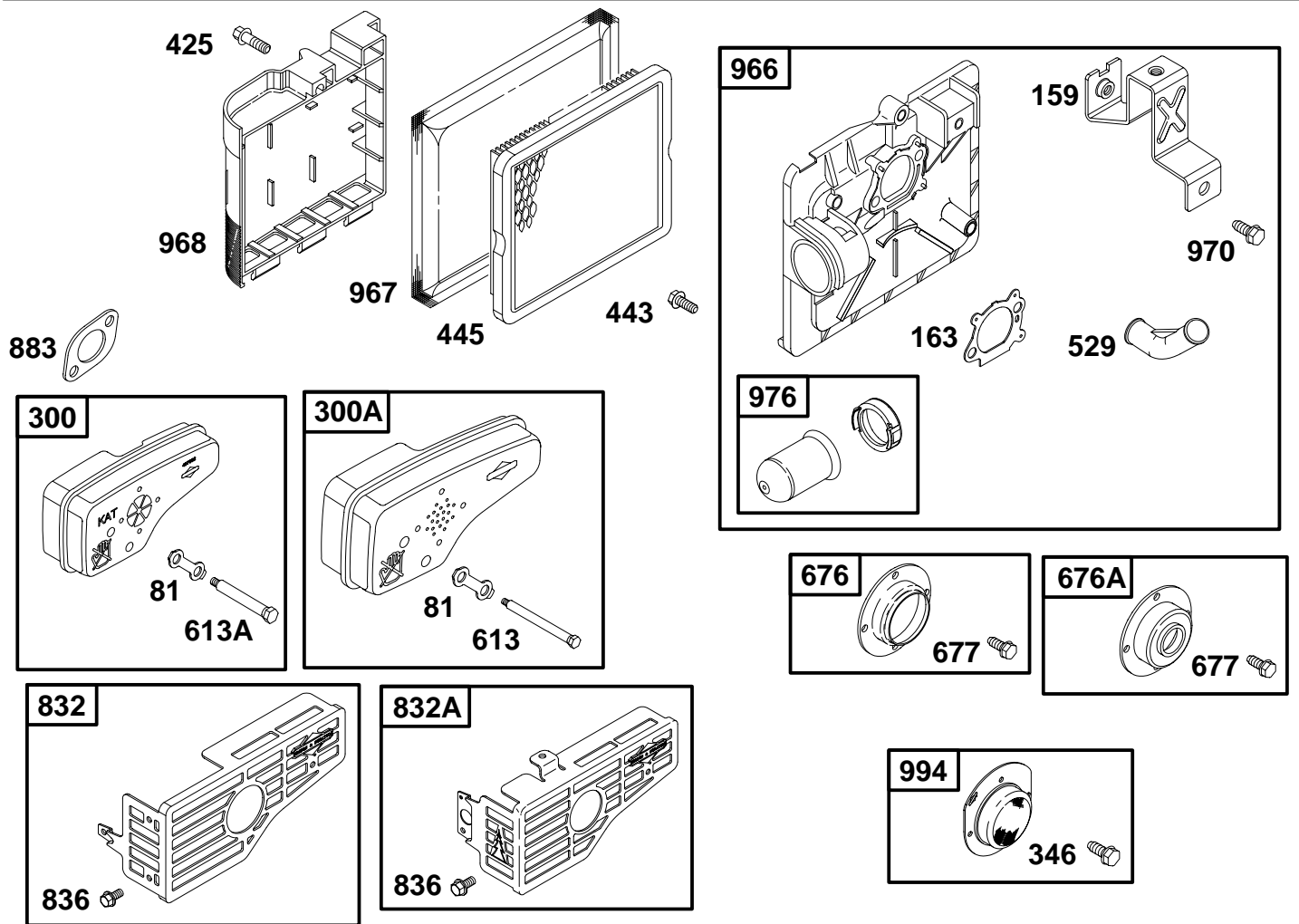
12L800 to 12L899



REF. NO.	PART NO.	DESCRIPTION	REF. NO.	PART NO.	DESCRIPTION	REF. NO.	PART NO.	DESCRIPTION
187	691050	Line-Fuel (Cut To Required Length)	190	94511	Screw (Fuel Tank)	958	494768	Valve-Fuel Shut Off
187A	498171	Line-Fuel (Cut To Required Length)	240	298090	Filter-Fuel	972	495224	Tank-Fuel (Plastic)
187B	691371	Line-Fuel (Molded) Used on Type No(s). 1505, 1508.	601	93053	Clamp-Hose	1059	398540	Kit-Screw/Washer
			670	280512	Spacer-Fuel Tank			
			957	397974	Cap-Fuel Tank (Plastic)			

★ Included in Engine Gasket Set—See Ref. No. 358.
● Included in Carburetor Overhaul Kit—See Ref. No. 121.

◆ Included in Carburetor Gasket Set—See Ref. No. 977.
⊘ Included in Valve Gasket Set—See Ref. No. 1095.

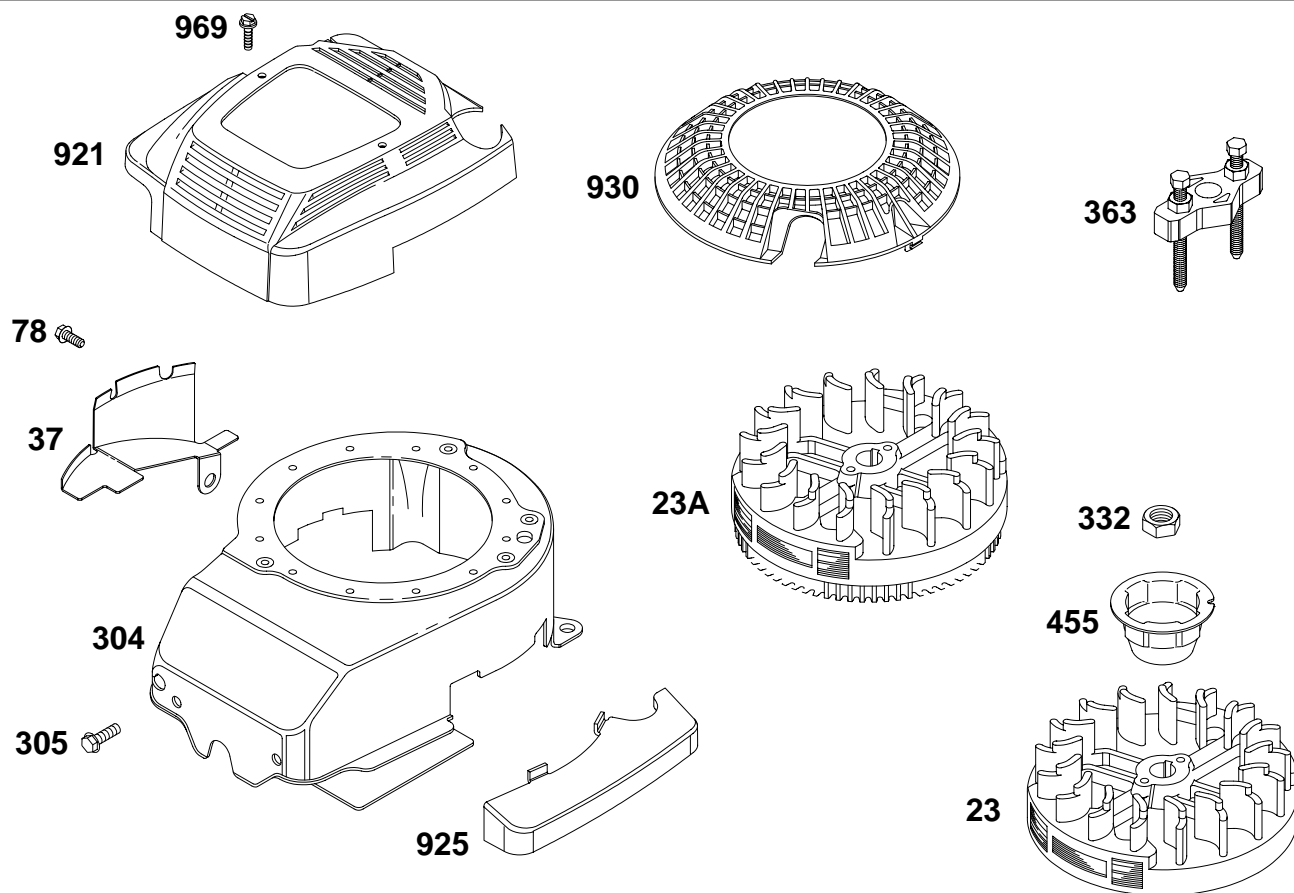


REF. NO.	PART NO.	DESCRIPTION	REF. NO.	PART NO.	DESCRIPTION	REF. NO.	PART NO.	DESCRIPTION
81	223664	Lock-Muffler Screw	613	94231	Screw (Muffler)	883	★Ø272253	Gasket-Exhaust
159	224815	Bracket-Air Cleaner Primer	613A	691114	Screw (Muffler)	966	496116	Base-Air Cleaner Primer
163★◆	272653	Gasket-Air Cleaner	676	497682	Deflector-Muffler (Direct Out, 1 3/16 Diameter)	967	493537	Filter-Pre Cleaner
300	497681	Muffler (Super Lo Tone Catalyst)	676A	397931	Deflector-Muffler (Direct Out, 3/4 Diameter)	968	281340	Cover-Air Cleaner
300A	496106	Muffler (Super Lo Tone Tuned)	677	94896	Screw (Muffler Deflector)	970	94749	Screw (Air Cleaner Primer Bracket)
346	94896	Screw (Spark Arrestor)	832	499034	Guard-Muffler (Super Lo Tone Tuned)	976	694395	Primer-Carburetor (Red) (Used After Code Date 99103100).
425	94872	Screw (Air Cleaner Cover)	832A	497683	Guard-Muffler (Super Lo Tone Catalyst)	————— Note —————		
443	94873	Screw (Air Cleaner Primer Base)	836	94874	Screw (Muffler Guard)	994	398067	Arrestor-Spark
445	491588	Filter-Air Cleaner Cartridge						496115 Primer-Carburetor (Used Before Code Date 99110100).
529	281299	Grommet						

★ Included in Engine Gasket Set-See Ref. No. 358.
 ● Included in Carburetor Overhaul Kit-See Ref. No. 121.

◆ Included in Carburetor Gasket Set-See Ref. No. 977.
 Ø Included in Valve Gasket Set-See Ref. No. 1095.

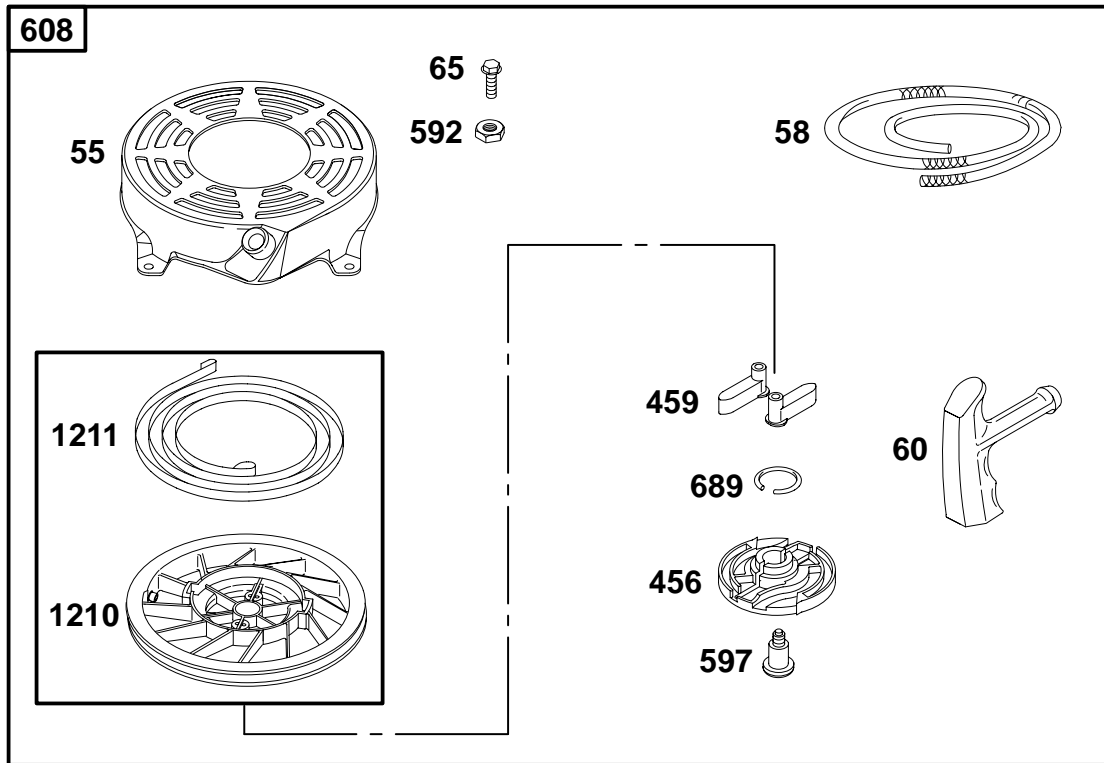
12L800 to 12L899



REF. NO.	PART NO.	DESCRIPTION	REF. NO.	PART NO.	DESCRIPTION	REF. NO.	PART NO.	DESCRIPTION
23	492177	Flywheel (Rewind Start)	304	493293	Housing-Blower (Compliance)	332	94877	Nut (Flywheel)
23A	492175	Flywheel (Electric Start)			Note	363	19069	Flywheel Puller
		Note			493294	455	691219	Cup-Flywheel
		492893 Flywheel (Electric Start)			Blower (Non Compliance)	921	497233	Cover-Blower Housing
		Used on Type No(s). 0805, 0806.			Used on Type No(s). 0805, 0806.	925	690595	Cover-Linkage
37	694086	Guard-Flywheel	305	691108	Screw (Blower Housing)	930	281136	Guard-Rewind
78	691108	Screw (Flywheel Guard)				969	94696	Screw (Blower Housing Cover)

★ Included in Engine Gasket Set-See Ref. No. 358.
 ● Included in Carburetor Overhaul Kit-See Ref. No. 121.

◆ Included in Carburetor Gasket Set-See Ref. No. 977.
 ⌀ Included in Valve Gasket Set-See Ref. No. 1095.



REF. NO.	PART NO.	DESCRIPTION	REF. NO.	PART NO.	DESCRIPTION	REF. NO.	PART NO.	DESCRIPTION
55	691421	Housing—Rewind Starter	456	281503	Plate—Pawl Friction	689	263073	Spring—Friction
58	280399	Rope—Starter (Cut to Required Length)	459	281505	Pawl—Ratchet	1210	498144	Pulley/Spring Assembly (Pulley)
60	281434	Grip—Starter Rope	592	94908	Nut (Rewind Starter)	1211	498144	Pulley/Spring Assembly (Spring)
65	94904	Screw (Rewind Starter)	597	94943	Screw (Pawl Friction Plate)			
			608	497680	Starter—Rewind			

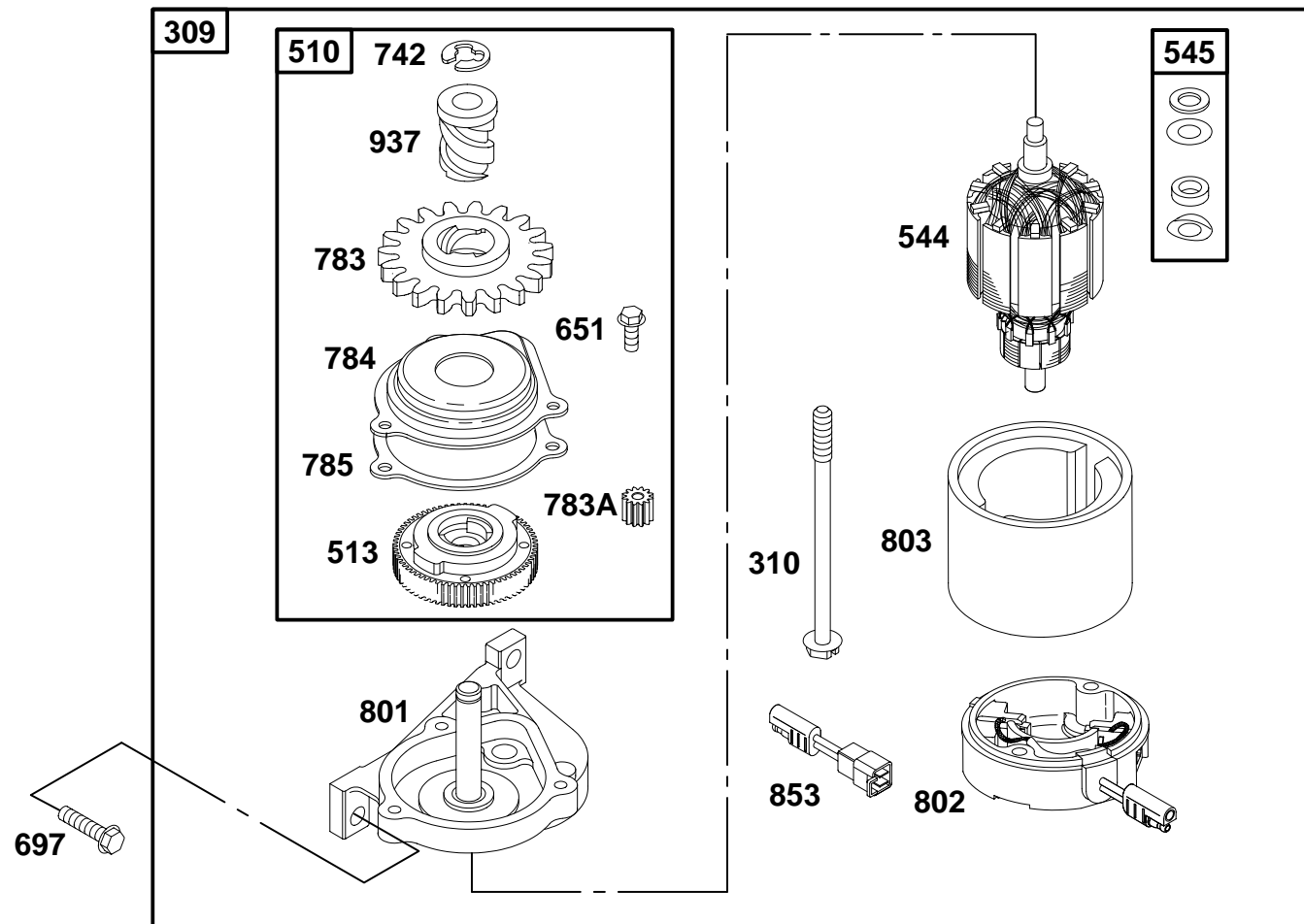
★ Included in Engine Gasket Set—See Ref. No. 358.

● Included in Carburetor Overhaul Kit—See Ref. No. 121.

◆ Included in Carburetor Gasket Set—See Ref. No. 977.

⊘ Included in Valve Gasket Set—See Ref. No. 1095.

12L800 to 12L899



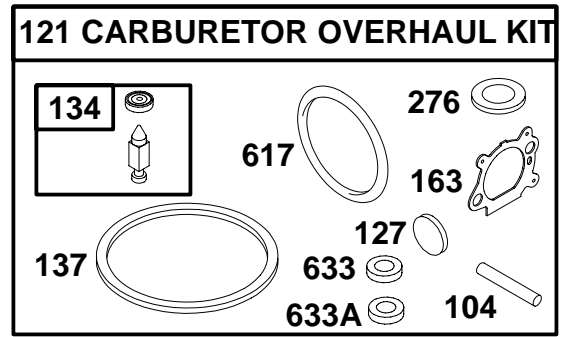
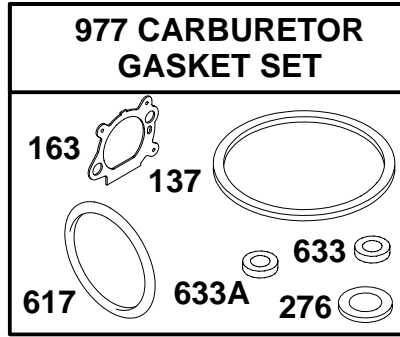
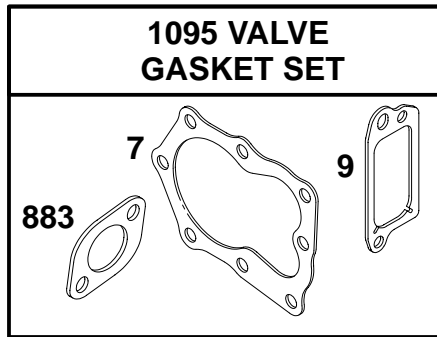
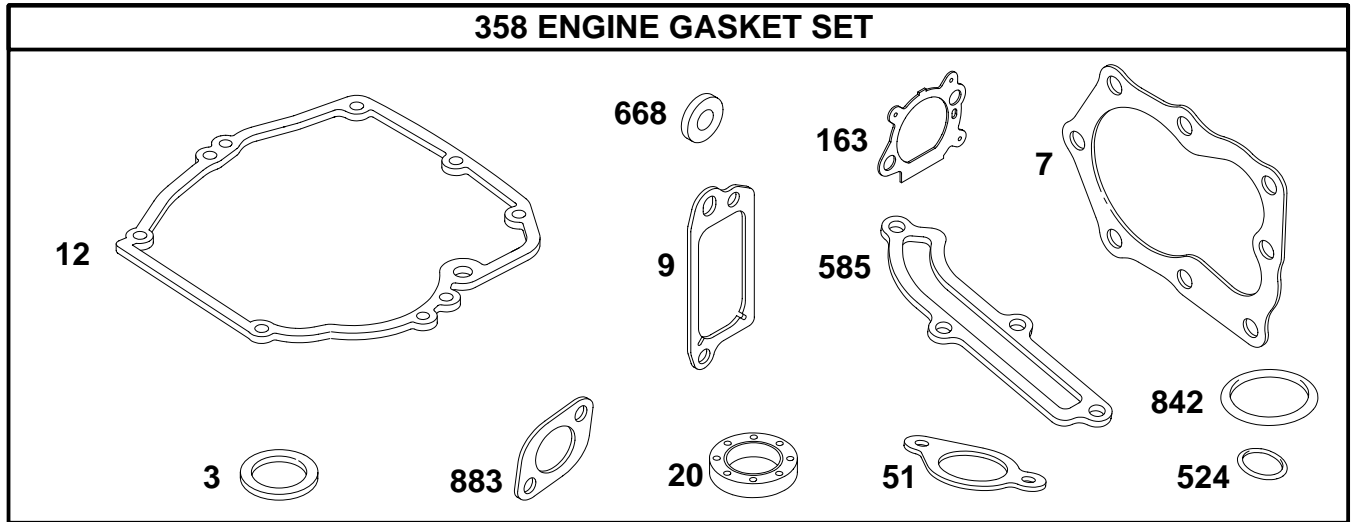
REF. NO.	PART NO.	DESCRIPTION	REF. NO.	PART NO.	DESCRIPTION	REF. NO.	PART NO.	DESCRIPTION
309	695550	Motor-Starter (Used After Code Date 00040600). Note 691376 Motor-Starter (Used Before Code Date 00040700).	651	93490	Screw (Starter Gear Cover)	802	695267	Cap-End (Used After Code Date 00040600). Note 690787 Cap-End (Used Before Code Date 00040700).
310	692327	Bolt (Starter Motor)	742	93941	Retainer-E Ring	803	695266	Housing-Starter (Used After Code Date 00040600). Note 690785 Housing-Starter (Used Before Code Date 00040700).
510	494147	Drive-Starter	783	281127	Gear-Pinion (Starter)	853	695268	Adapter-Wire
513	692358	Clutch-Drive	783A	691269	Gear-Pinion	937	691325	Spline-Starter
544	690786	Armature-Starter	784	692341	Cover-Starter Gear			
545	492919	Washer Set (Starter Motor)	785	692352	Gasket-Starter Cover			
			801	690782	Cap-Drive			

★ Included in Engine Gasket Set—See Ref. No. 358.

● Included in Carburetor Overhaul Kit—See Ref. No. 121.

◆ Included in Carburetor Gasket Set—See Ref. No. 977.

⊘ Included in Valve Gasket Set—See Ref. No. 1095.



REF. NO.	PART NO.	DESCRIPTION	REF. NO.	PART NO.	DESCRIPTION	REF. NO.	PART NO.	DESCRIPTION
	3	★299819 Seal—Oil (Magneto Side)		134	◆398188 Kit—Needle/Seat		633A	◆◆693867 Seal—Choke/Throttle Shaft
	7	★∅272916 Gasket—Cylinder Head		137	◆◆693981 Gasket—Float Bowl		668	★493823 Spacer (Includes 2)
	9	★∅272481 Gasket—Breather		163	★◆◆272653 Gasket—Air Cleaner		842	★280393 Seal—O Ring (Tube and Dipstick/Cap Combo Only)
	12	★272198 Gasket—Crankcase		276	◆◆271716 Washer—Sealing		883	★∅272253 Gasket—Exhaust
	20	★399781 Seal—Oil (PTO Side)		358	497316 Gasket Set—Engine		977	498261 Gasket Set—Carburetor
	51	★272199 Gasket—Intake		524	★280966 Seal—Dipstick Tube		1095	498528 Gasket Set—Valve
	104	◆691242 Pin—Float Hinge		585	★272238 Gasket—Breather Passage			
	121	498260 Kit—Carburetor Overhaul		617	◆◆270344 Seal—O Ring (Intake Manifold)			
	127	◆694468 Plug—Welch		633	◆◆691321 Seal—Choke/Throttle Shaft			

★ Included in Engine Gasket Set—See Ref. No. 358.
 ● Included in Carburetor Overhaul Kit—See Ref. No. 121.

◆ Included in Carburetor Gasket Set—See Ref. No. 977.
 ∅ Included in Valve Gasket Set—See Ref. No. 1095.