

**12H700 to 12H799**

# Illustrated Parts List

## Model Series

### 12H700 to 12H799

TYPE NUMBERS  
0505, 0617, 0618,  
0619, 0621, 0622,  
0623, 0625, 1705,  
1719, 1772, 4723.

**TO FIND**  
**THE CORRECT NUMBER OF THE PART YOU NEED:**  
**FOLLOW THE INSTRUCTIONS BELOW**

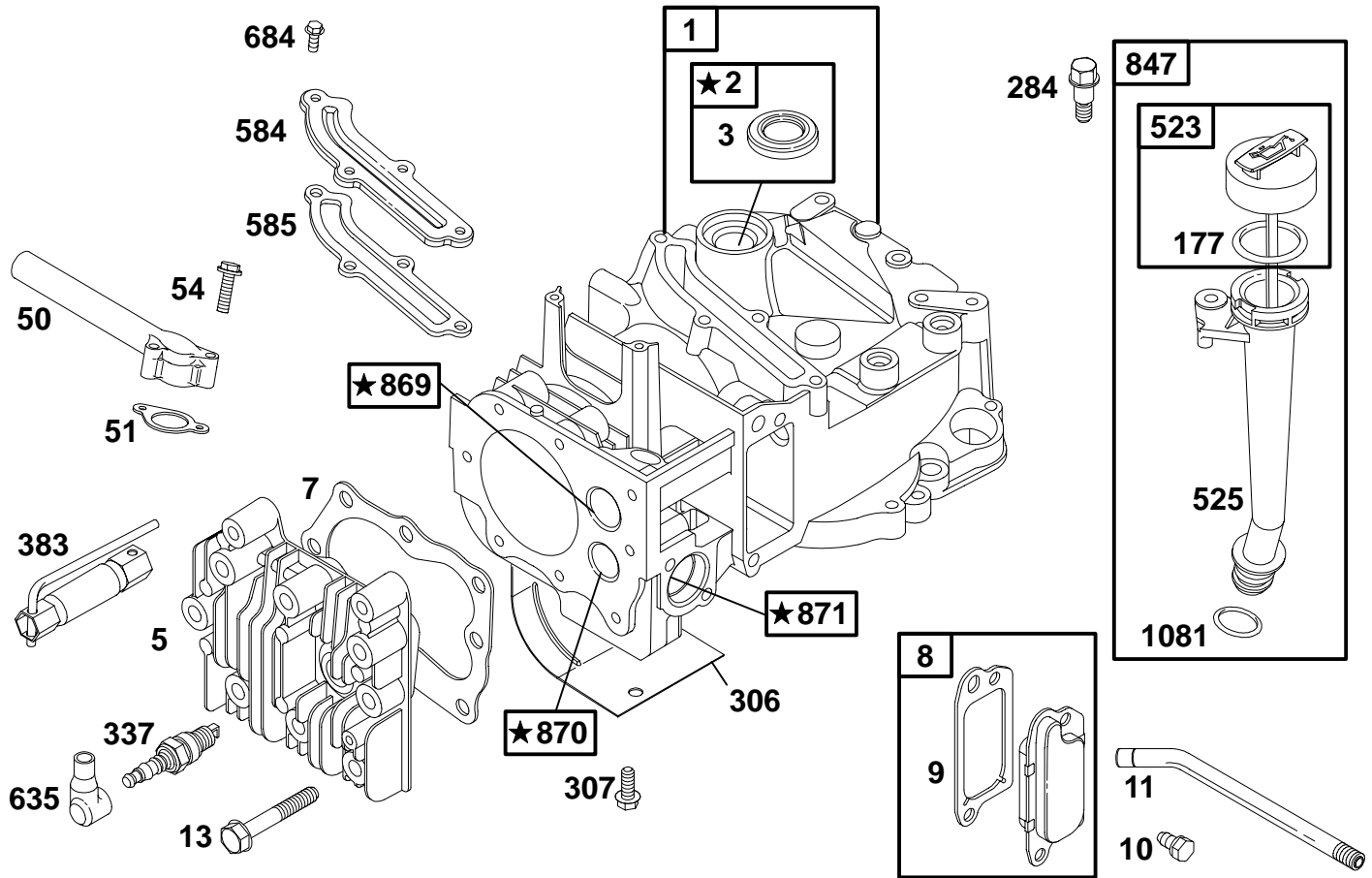
- A. Refer to Engine Model, Type and Code Number that is stamped on the blower housing of engine. Engine type numbers such as 0123 01 are listed only as 0123 in most instances. The two digits (01 or 02, etc.) to the right of the space may be required for more accurate parts identification in some instances. Select the Illustrated Parts List covering the correct Model Series and Type Number.
- B. Refer to the Illustrations and compare the original part with Illustration. The number next to the illustration is the Reference Number. Assemblies include all parts shown in frames. All parts shown in assembly frames having individual reference numbers can be purchased separately.
- C. After the Reference Number has been identified, refer to the Numerical text, where Reference and Primary Part Number are listed. **THE PRIMARY PART IS USED ON ALL TYPE NUMBERS EXCEPT THOSE TYPE NUMBERS UNDER "NOTE."**
- D. If a "Note" appears below the Primary Part Number, it means that this part differs from the Primary Part for certain types. If your Type number is listed under "Note," order the part referred to at the "Note."
- E. If your Engine Type Number does not appear after any part number listed under "Note," use the Primary Part Number.
- F. For Engine Type Numbers not covered by this book, check other Parts Lists having the same engine model or contact your source of supply.

PRINTED IN U.S.A.



COPYRIGHT by BRIGGS & STRATTON CORPORATION  
All rights reserved. No part of this material may be reproduced or transmitted, in any form or by any means, electronic or mechanical, including photocopying, recording or by any information storage and retrieval system, without permission in writing from Briggs & Stratton Corporation.

# 12H700 to 12H799



★ **REQUIRES SPECIAL TOOLS TO INSTALL. SEE REPAIR INSTRUCTION MANUAL.**

**1019 LABEL KIT**

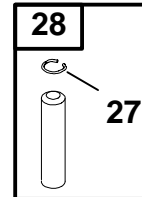
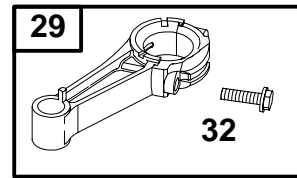
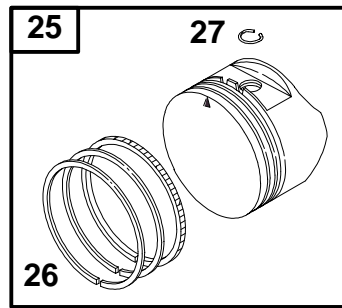
**1058 OWNER'S MANUAL**

REF. NO.	PART NO.	DESCRIPTION	REF. NO.	PART NO.	DESCRIPTION	REF. NO.	PART NO.	DESCRIPTION
1	493260	Cylinder Assembly	284	94511	Screw (Dipstick Tube)	869	691155	Valve Seat (Intake)
2	399269	Bushing/Seal Kit	306	690450	Cylinder Shield	870	690380	Valve Seat (Exhaust)
3	★299819	Oil Seal	307	690345	Screw (Cylinder Shield)	871	262001	Guide Bushing (Exhaust Valve)
5	691160	Cylinder Head	337	802592	Sparkplug	<b>Note</b>		
7	★Ø272916	Cylinder Head Gasket	383	89838	Sparkplug Wrench	63709		Guide Bushing (Intake Valve)
8	495786	Breather Assembly	523	495264	Dipstick	1019	494256	Label Kit
9	★Ø272481	Breather Gasket	525	495265	Dipstick Tube	1058	272262	Owner's Manual (Non Emissions)
10	94650	Screw (Breather Assembly)	584	692342	Breather Passage Cover	<b>Note</b>		
11	691781	Breather Tube	585	★272238	Breather Passage Gasket	273693		Owner's Manual (Emissions)
13	94547	Screw (Cylinder Head)	635	66538	Sparkplug Boot	1081	★280966	O-Ring Seal (Dipstick Tube)
50	497465	Intake Manifold	684	690345	Screw (Breather Passage Cover)			
51	★272199	Intake Gasket	847	495263	Dipstick/Tube Assembly			
54	94526	Screw (Intake Mainfold)						
177	★280393	O-Ring Seal (Dipstick)						

★ Included in Engine Gasket Set—See Ref. 358.  
 ● Included in Carburetor Overhaul Kit—See Ref. No. 121.

◆ Included in Carburetor Gasket Set—See Ref. No. 977.  
 Ø Included in Valve Overhaul Gasket Set—See Ref. No. 1095.

# 12H700 to 12H799

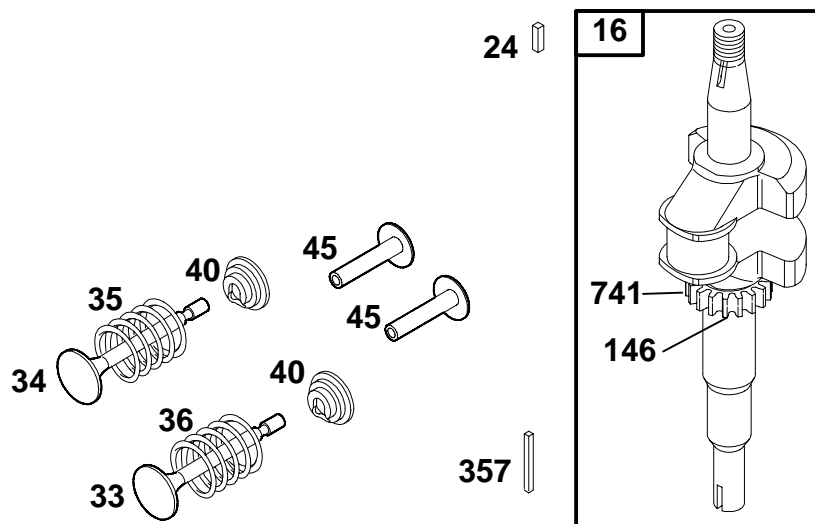


REF. NO.	PART NO.	DESCRIPTION	REF. NO.	PART NO.	DESCRIPTION	REF. NO.	PART NO.	DESCRIPTION		
25	499429	Piston Assembly (Standard) (Used After Code Date 97011200). <b>Note</b> 493262 Piston Assy. (Standard) (Used Before Code Date 97011300).	26	499425	Ring Set (Standard) (Used After Code Date 97011200). <b>Note</b> 493261 Ring Set (Standard) (Used Before Code Date 97011300).	27	263190	Piston Pin Lock (Used After Code Date 97011200). <b>Note</b> 26026 Piston Pin Lock (Used Before Code Date 97011300).		
		499430 Piston Assy. (.010" O.S.) (Used After Code Date 97011200).			499426 Ring Set (.010" O.S.) (Used After Code Date 97011200).			28	499423	Piston Pin (Standard) (Used After Code Date 97011200). <b>Note</b> 298909 Piston Pin (Standard) (Used Before Code Date 97011300).
		493385 Piston Assy. (.010" O.S.) (Used Before Code Date 97011300).			493388 Ring Set (.010" O.S.) (Used Before Code Date 97011300).					298908 Piston Pin (.005" O.S.) (Used Before Code Date 97011300).
		499431 Piston Assy. (.020" O.S.) (Used After Code Date 97011200).			499427 Ring Set (.020" O.S.) (Used After Code Date 97011200).			29	499424	Connecting Rod (Standard) (Used After Code Date 97011200). <b>Note</b> 490566 Connecting Rod (Standard) (Used Before Code Date 97011300).
		493386 Piston Assy. (.020" O.S.) (Used Before Code Date 97011300).			493389 Ring Set (.020" O.S.) (Used Before Code Date 97011300).					490743 Connecting Rod (.020" Undersize) (Used Before Code Date 97011300).
		499432 Piston Assy. (.030" O.S.) (Used After Code Date 97011200).			499428 Ring Set (.030" O.S.) (Used After Code Date 97011200).					32
		493387 Piston Assy. (.030" O.S.) (Used Before Code Date 97011300).			493390 Ring Set (.030" O.S.) (Used Before Code Date 97011300).					

★ Included in Engine Gasket Set—See Ref. 358.  
● Included in Carburetor Overhaul Kit—See Ref. No. 121.

◆ Included in Carburetor Gasket Set—See Ref. No. 977.  
⊘ Included in Valve Overhaul Gasket Set—See Ref. No. 1095.

# 12H700 to 12H799

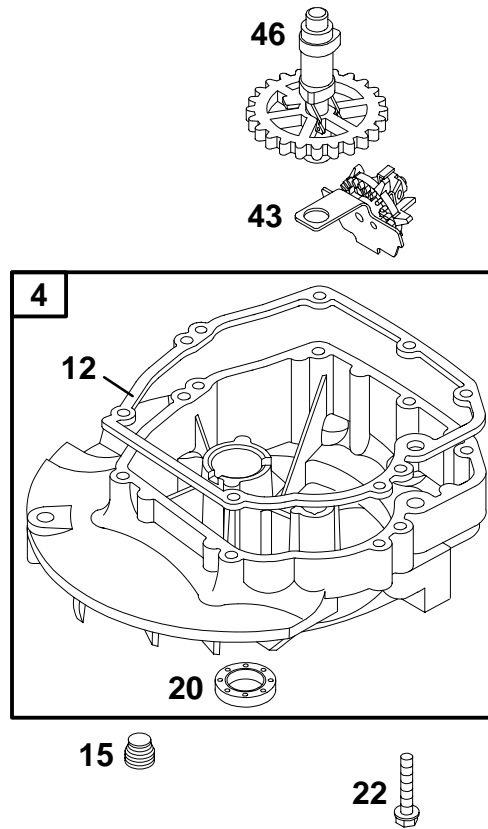


REF. NO.	PART NO.	DESCRIPTION	REF. NO.	PART NO.	DESCRIPTION	REF. NO.	PART NO.	DESCRIPTION
16	691451	Crankshaft (Used After Code Date 97011200). <b>Note</b> 493362 Crankshaft (Used Before Code Date 97011300). 691455 Crankshaft (Used After Code Date 97011200). Used on Type No(s). 0617, 0618. 691375 Crankshaft (Used Before Code Date 97011300). Used on Type No(s). 0617, 0618. 691452 Crankshaft (Used After Code Date 97011200). Used on Type No(s). 0505, 0625, 1705. 493363 Crankshaft (Used Before Code Date 97011300). Used on Type No(s). 0505, 0625.	24	222698	Flywheel Key	45	690548	Valve Tappet
			33	262651	Exhaust Valve	146	94388	Timing Key
			34	262652	Intake Valve	357	91539	Drive Pulley Key
			35	691270	Valve Spring (Intake)	741	262598	Timing Gear
			36	691270	Valve Spring (Exhaust)			
			40	93312	Valve Retainer			

★ Included in Engine Gasket Set—See Ref. 358.  
● Included in Carburetor Overhaul Kit—See Ref. No. 121.

◆ Included in Carburetor Gasket Set—See Ref. No. 977.  
◊ Included in Valve Overhaul Gasket Set—See Ref. No. 1095.

12H700 to 12H799

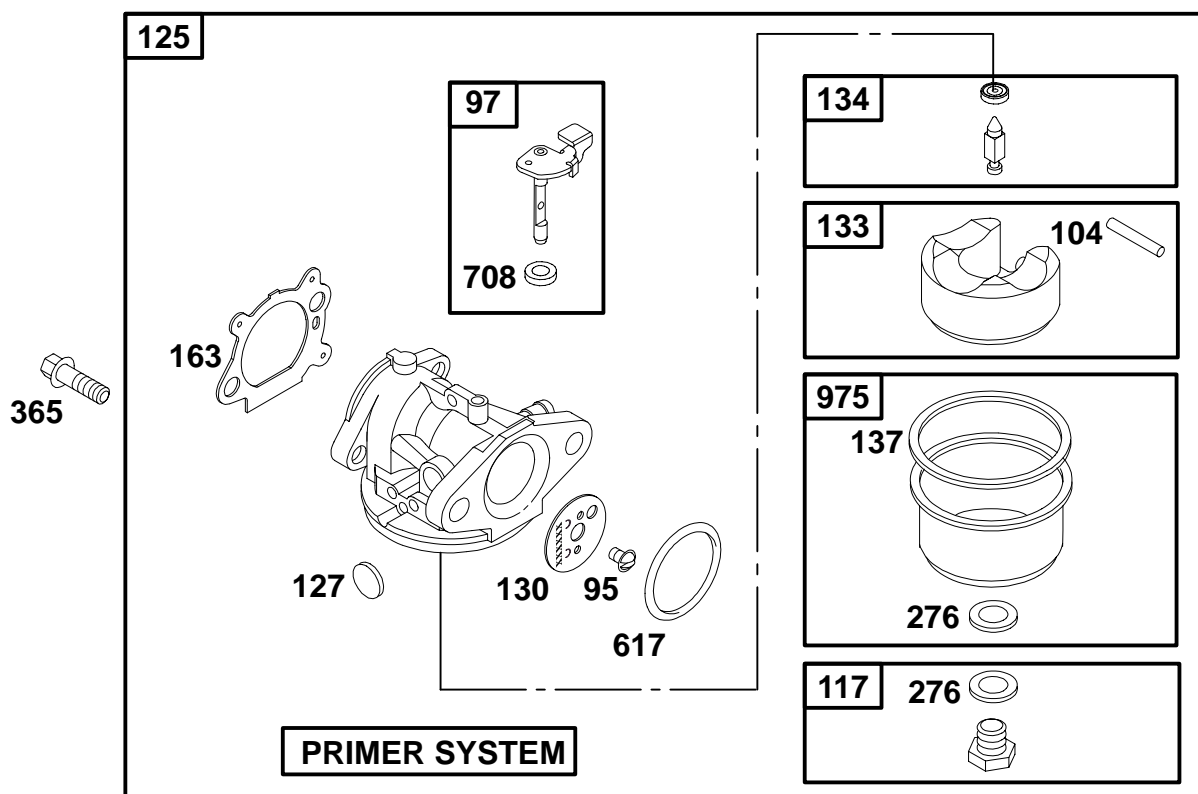


REF. NO.	PART NO.	DESCRIPTION	REF. NO.	PART NO.	DESCRIPTION	REF. NO.	PART NO.	DESCRIPTION
4	493279	Engine Sump <b>Note</b> 498983 Engine Sump Used on Type No(s). 0623, 4723.	20	★399781	Oil Seal (PTO Side)	43	493737	Governor/Oil Slinger
12	★272198	Crankcase Gasket	22	691092	Screw (Engine Sump) <b>Note</b> 94612 Screw (Engine Sump) (One Used in Hole Nearest Breather)	46	691449	Camshaft (Used After Code Date 96060200).
15	94880	Oil Drain Plug						<b>Note</b> 492830 Camshaft (Used Before Code Date 96060300).

★ Included in Engine Gasket Set—See Ref. 358.  
● Included in Carburetor Overhaul Kit—See Ref. No. 121.

◆ Included in Carburetor Gasket Set—See Ref. No. 977.  
◇ Included in Valve Overhaul Gasket Set—See Ref. No. 1095.

# 12H700 to 12H799



REF. NO.	PART NO.	DESCRIPTION	REF. NO.	PART NO.	DESCRIPTION	REF. NO.	PART NO.	DESCRIPTION
95	94098	Screw (Throttle Valve)	127	●694468	Welch Plug	365	94840	Screw (Carburetor)
97	493267	Throttle Shaft Pin	130	691203	Throttle Valve	617	●●270344	O-Ring Seal (Intake Manifold)
117	494870	Main Jet (Standard)	133	398187	Carburetor Float	708	●●691321	Dust Seal (Throttle Shaft)
		<b>Note</b>	134	●398188	Needle/Seal Kit	975	493640	Float Bowl
		497315 Main Jet (High Altitude)	137	●●280492	Float Bowl Gasket			
125	498170	Carburetor	163	★●●272653	Air Cleaner Gasket			
			276	●●271716	Sealing Washer (Sold in Kit Only)			

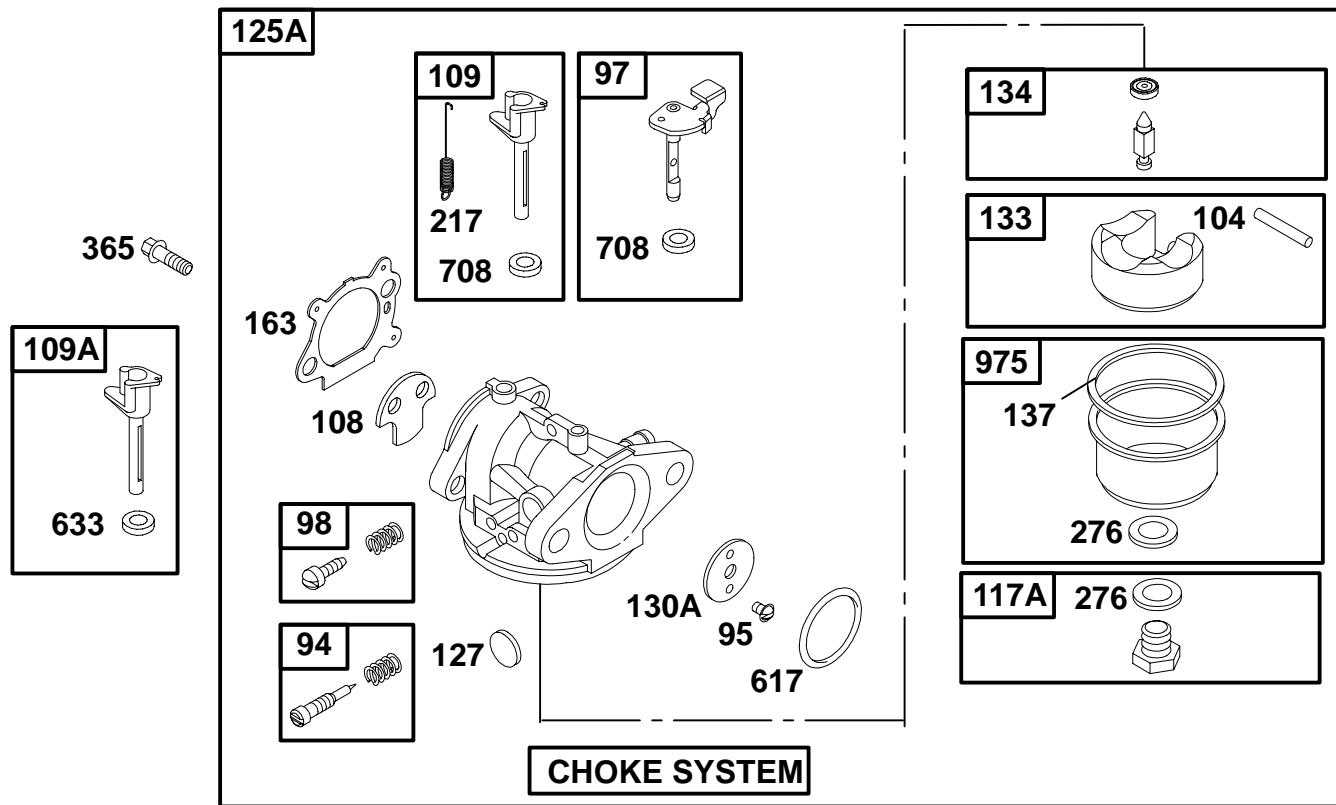
★ Included in Engine Gasket Set—See Ref. 358.

● Included in Carburetor Overhaul Kit—See Ref. No. 121.

◆ Included in Carburetor Gasket Set—See Ref. No. 977.

⊘ Included in Valve Overhaul Gasket Set—See Ref. No. 1095.

12H700 to 12H799

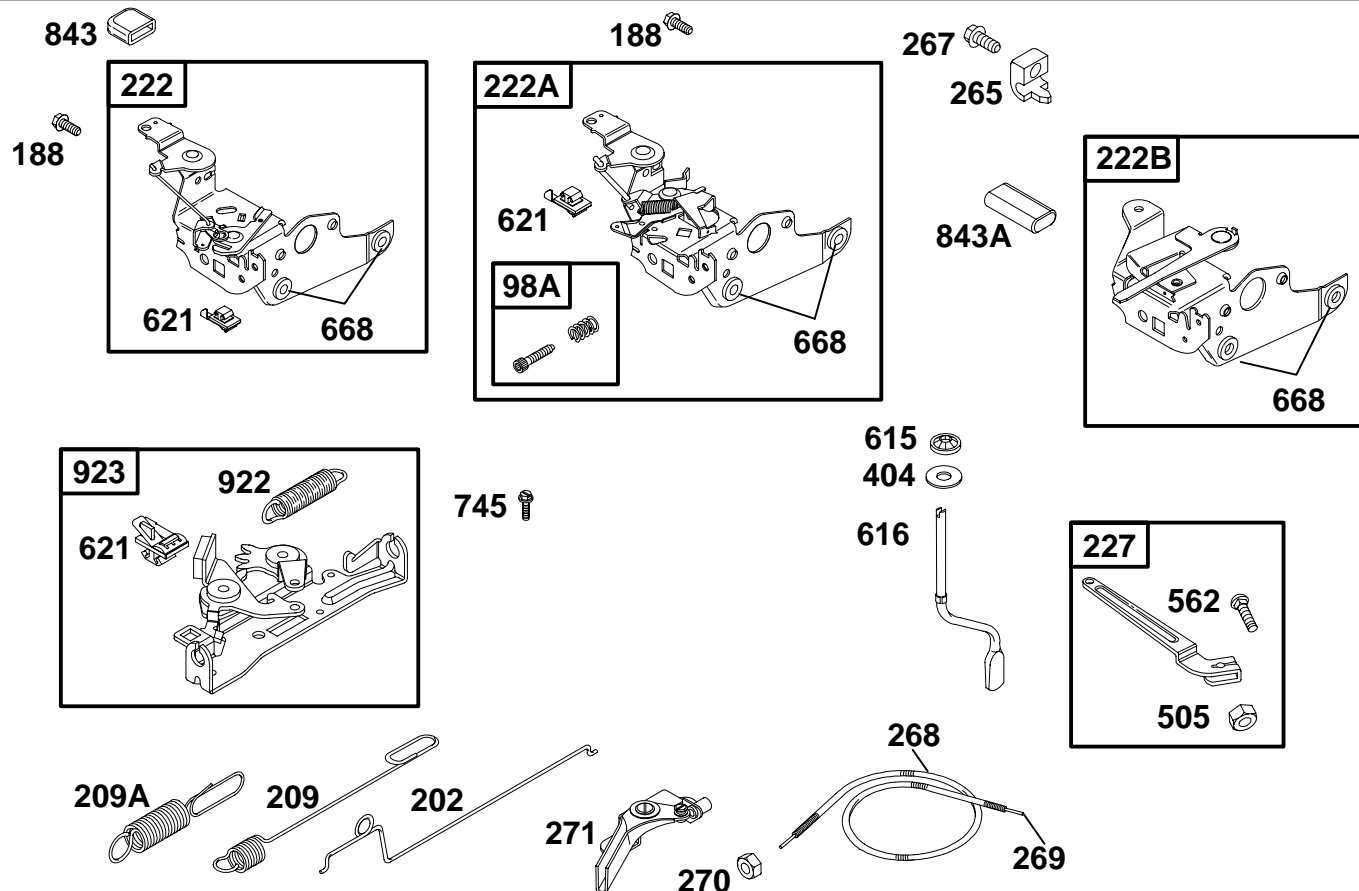


REF. NO.	PART NO.	DESCRIPTION	REF. NO.	PART NO.	DESCRIPTION	REF. NO.	PART NO.	DESCRIPTION
94	●493765	Idle Mixture Kit	125A	498965	Carburetor	617	◆●270344	O-Ring Seal (Intake Manifold)
95	94098	Screw (Throttle Valve)			<b>Note</b>	633	◆●693867	Choke Shaft Seal Used on Type No(s). 1705.
97	493267	Throttle Shaft			499059			Carburetor Used on Type No(s). 1705.
98	398185	Idle Speed Kit	127	●694468	Welch Plug	708	◆●691321	Seal-Dust (Throttle Shaft)
104	●691242	Float Hinge Pin	130A	691181	Throttle Valve			<b>Note</b>
108	691182	Choke Valve	133	398187	Carburetor Float	◆●691321		Seal-Dust (Throttle Shaft)
109	494218	Choke Shaft	134	●398188	Needle/Seal Kit	975	493640	Float Bowl
109A	498593	Choke Shaft Used on Type No(s). 1705.	137	◆●280492	Float Bowl Gasket			
117A	498977	Main Jet (Standard)	163	◆●272653	Air Cleaner Gasket			
		<b>Note</b>	217	262749	Choke Return Spring			
		498978 Main Jet (Standard) Used on Type No(s). 1705.			<b>Note</b>			
					690512			Choke Return Spring Used on Type No(s). 1705.
		498981 Main Jet (High Altitude)	276	◆●271716	Sealing Washer			
		498975 Main Jet (High Altitude) Used on Type No(s). 1705.	365	692524	Screw (Carburetor)			

★ Included in Engine Gasket Set—See Ref. 358.  
● Included in Carburetor Overhaul Kit—See Ref. No. 121.

◆ Included in Carburetor Gasket Set—See Ref. No. 977.  
◊ Included in Valve Overhaul Gasket Set—See Ref. No. 1095.

# 12H700 to 12H799



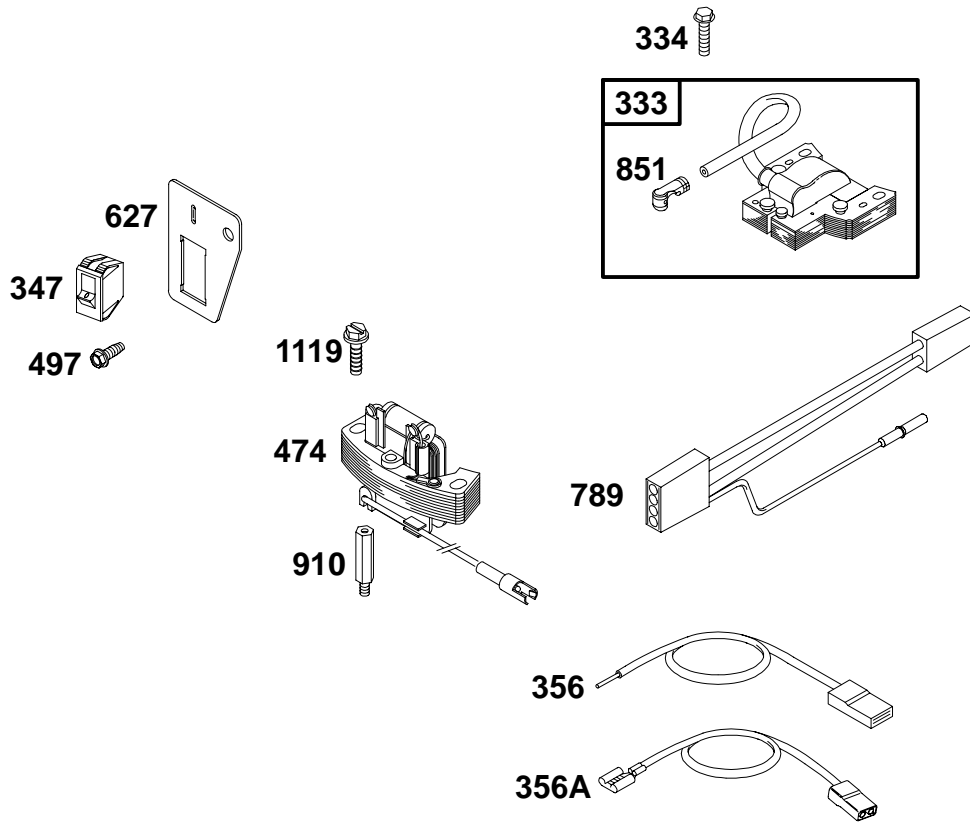
REF. NO.	PART NO.	DESCRIPTION	REF. NO.	PART NO.	DESCRIPTION	REF. NO.	PART NO.	DESCRIPTION
98A	493280	Idle Speed Kit	268	691072	Control Wire Casing (Cut to Required Length)	616	691306	Governor Crank
188	94644	Screw (Control Bracket)	269	26099	Control Wire (Cut to Required Length)	<p>———— <b>Note</b> ————</p> <p><b>263202</b> Governor Crank</p> <p>Used on Type No(s). 0623, 4723.</p>		
202	262579	Mechanical Governor Link	270	63426	Nut (Control Wire Casing)	621	396847	Stop Switch
209	691291	Governor Spring	271	290568	Control Lever	668	★493823	Spacer (Includes 2)
		———— <b>Note</b> ————	404	690272	Washer (Governor Crank)	745	94512	Screw (Brake)
209A	690568	Governor Spring	505	231082	Nut (Governor Lever)	843	272616	Lever Sleeve
222	497203	Control Bracket	562	92613	Bolt (Governor Lever)	843A	280149	Lever Sleeve
222A	690839	Control Bracket	615	690340	Governor Shaft Retainer	922	262640	Brake Spring
222B	692982	Control Bracket				923	493442	Brake
227	690783	Governor Control Lever						
265	213146	Casing Clamp						
267	94882	Screw (Casing Clamp)						

★ Included in Engine Gasket Set—See Ref. 358.  
 ● Included in Carburetor Overhaul Kit—See Ref. No. 121.

◆ Included in Carburetor Gasket Set—See Ref. No. 977.  
 ◊ Included in Valve Overhaul Gasket Set—See Ref. No. 1095.



12H700 to 12H799



REF. NO.	PART NO.	DESCRIPTION	REF. NO.	PART NO.	DESCRIPTION	REF. NO.	PART NO.	DESCRIPTION
333	802574	Magneto Armature	356A	499761	Stop Wire	789	690790	Wiring Harness
334	94731	Screw (Magneto Armature)	474	492841	Alternator	851	493880	Sparkplug Terminal
347	691396	Rocker Switch	497	94874	Screw (Stop Switch Bracket)	910	691094	Stator Mounting Stud
356	692390	Stop Wire	627	692872	Stop Switch Bracket	1119	94512	Screw (Alternator)

★ Included in Engine Gasket Set—See Ref. 358.

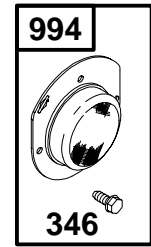
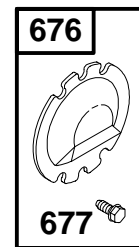
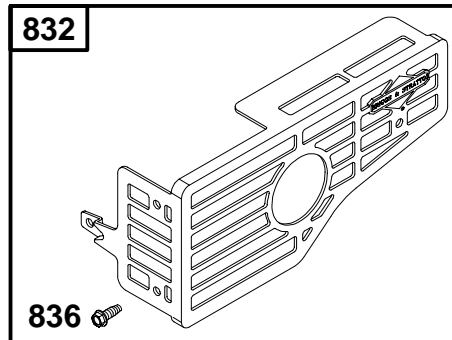
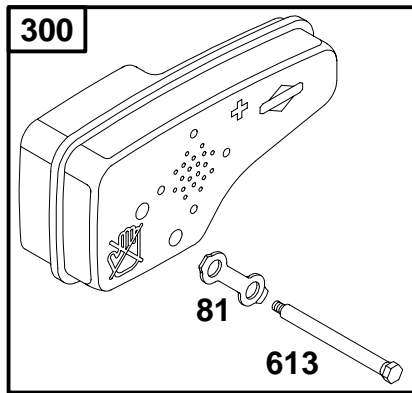
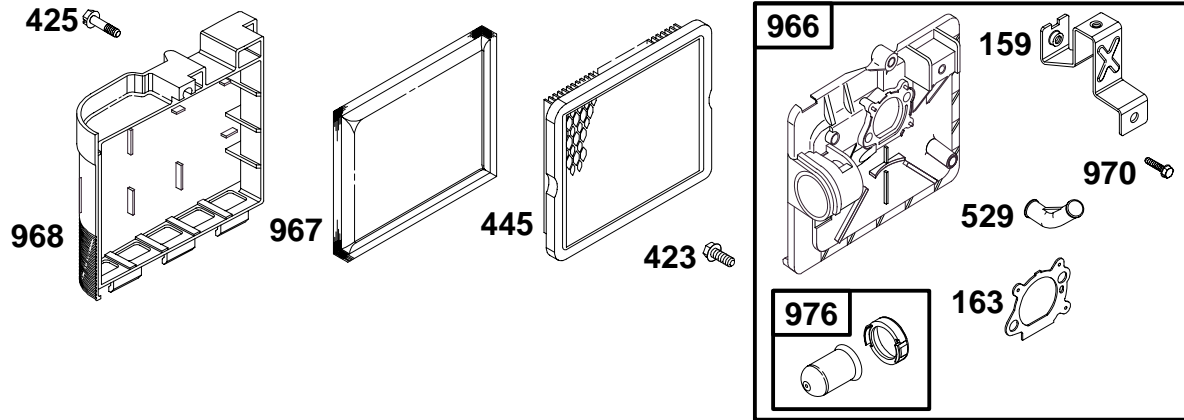
● Included in Carburetor Overhaul Kit—See Ref. No. 121.

◆ Included in Carburetor Gasket Set—See Ref. No. 977.

⊘ Included in Valve Overhaul Gasket Set—See Ref. No. 1095.



12H700 to 12H799

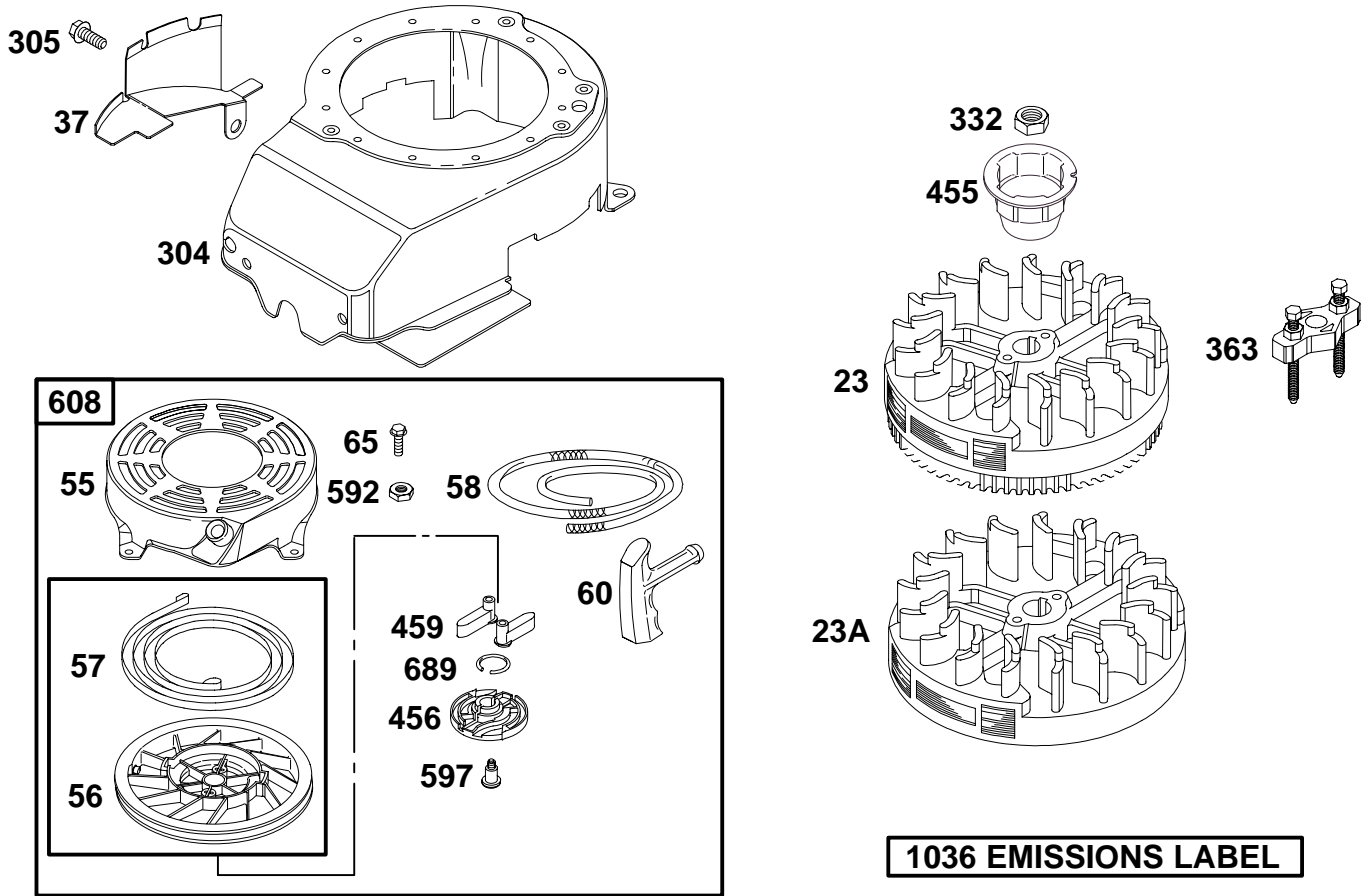


REF. NO.	PART NO.	DESCRIPTION	REF. NO.	PART NO.	DESCRIPTION	REF. NO.	PART NO.	DESCRIPTION
81	223664	Muffler Screw Lock	529	281299	Grommet	970	94749	Screw (Air Cleaner Primer Bracket)
159	224815	A/C Primer Bracket	613	94231	Screw (Exhaust Muffler)	976	694395	Carburetor Primer (Used After Code Date 99051200).
163	★◆●272653	Air Cleaner Gasket	676	393756	Muffler Deflector (Deflector)	————— <b>Note</b> —————		
300	497838	Exhaust Muffler	832	499034	Muffler Guard			496115 Carburetor Primer (Used Before Code Date 99051300).
346	94896	Screw (Spark Arrester)	836	94874	Screw (Muffler Guard)	994	398067	Spark Arrester
423	94873	Screw (Air Cleaner Primer Base)						
425	94872	Screw (Air Cleaner Cover)	966	496116	A/C Primer Base			
445	491588	A/C Filter Cartridge	967	493537	Pre Cleaner Filter			
			968	281340	Air Cleaner Cover			

★ Included in Engine Gasket Set—See Ref. 358.  
 ● Included in Carburetor Overhaul Kit—See Ref. No. 121.

◆ Included in Carburetor Gasket Set—See Ref. No. 977.  
 ◊ Included in Valve Overhaul Gasket Set—See Ref. No. 1095.

# 12H700 to 12H799



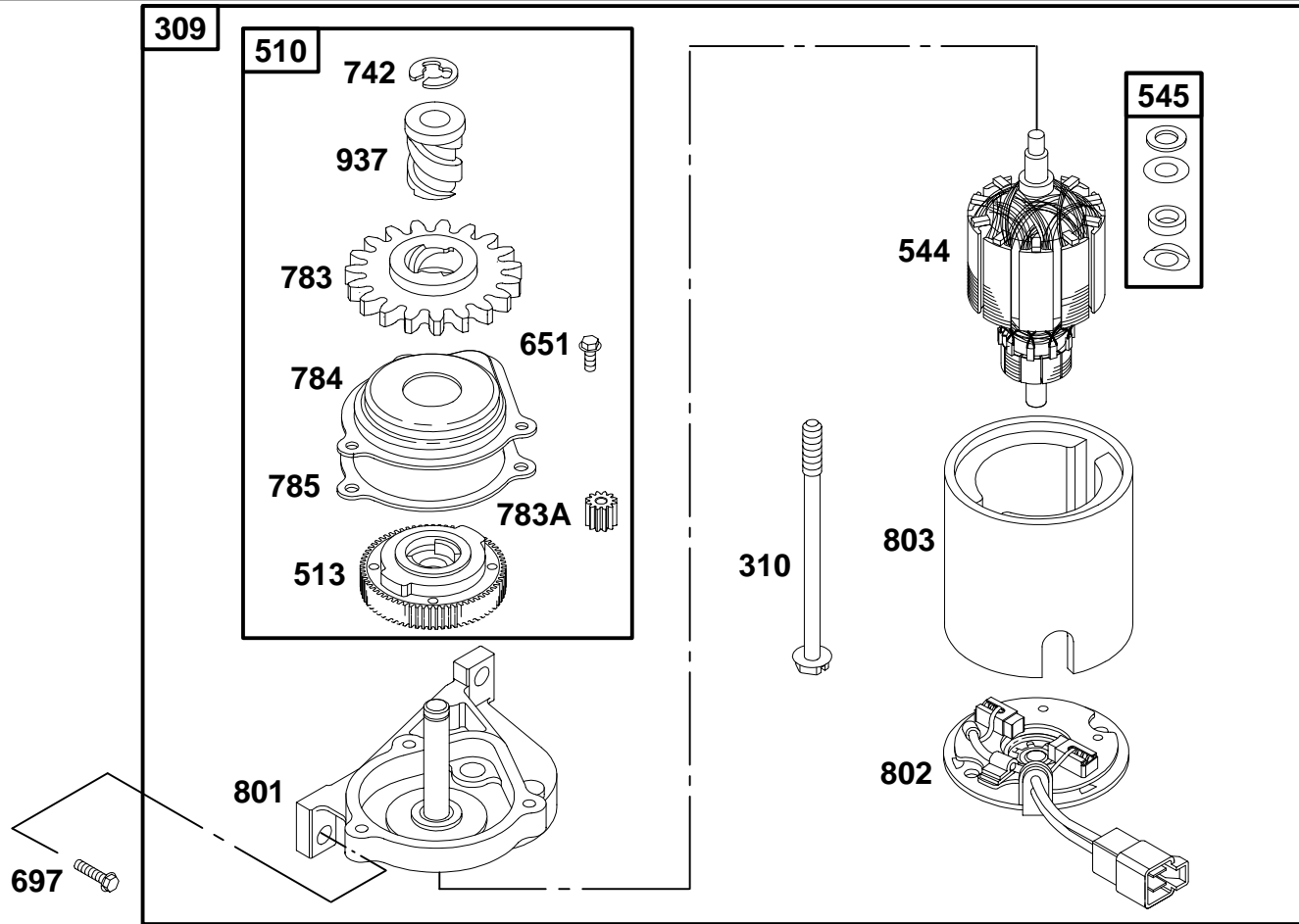
**1036 EMISSIONS LABEL**

REF. NO.	PART NO.	DESCRIPTION	REF. NO.	PART NO.	DESCRIPTION	REF. NO.	PART NO.	DESCRIPTION
23	492893	Flywheel	65	94686	Screw (Rewind Starter)	332	94877	Nut (Flywheel)
23A	492177	Flywheel				363	19069	Flywheel Puller
37	224511	Flywheel Guard				455	691219	Flywheel Cup
55	691421	Rewind Starter Housing	304	493294	Blower Housing	456	281503	Pawl Friction Plate
56	498144	Pulley/Spring Assembly			<b>Note</b>	459	281505	Ratchet Pawl
57	498144	Pulley/Spring Assembly			493293 Blower Housing	592	94908	Nut
58	280399	Starter Rope (Cut To Required Length)			Used on Type No(s). 0619.	597	94943	Screw (Pawl Friction Plate)
60	281434	Starter Rope Grip	305	691108	Screw (Blower Housing)	608	497680	Rewind Starter
						689	263073	Friction Spring
						1036	499341	Emissions Label

★ Included in Engine Gasket Set—See Ref. 358.  
 ● Included in Carburetor Overhaul Kit—See Ref. No. 121.

◆ Included in Carburetor Gasket Set—See Ref. No. 977.  
 ∅ Included in Valve Overhaul Gasket Set—See Ref. No. 1095.

12H700 to 12H799



REF. NO.	PART NO.	DESCRIPTION	REF. NO.	PART NO.	DESCRIPTION	REF. NO.	PART NO.	DESCRIPTION
309	691376	Starter Motor	651	93490	Screw (Starter Gear Cover)	784	692341	Starter Gear Cover
310	692327	Bolt (Starter Motor)	697	691127	Screw (Drive Cap)	785	692352	Starter Cover Gasket
510	494147	Starter Drive	742	93941	E-Ring Retainer	801	690782	Drive Cap
513	692358	Drive Clutch	783	281127	Pinion Gear	802	690787	End Cap
544	690786	Starter Armature	783A	691269	Pinion Gear	803	690785	Starter Housing
545	492919	Washer Set (Starter Motor)				937	691325	Starter Spline

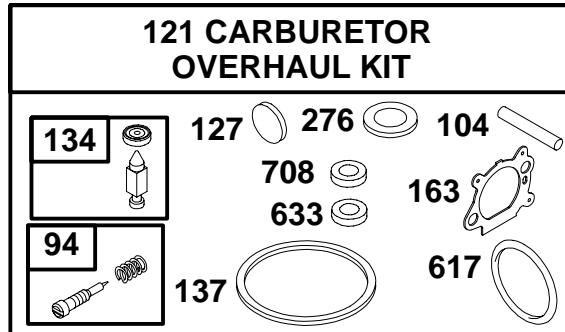
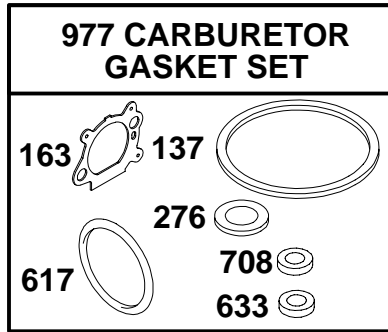
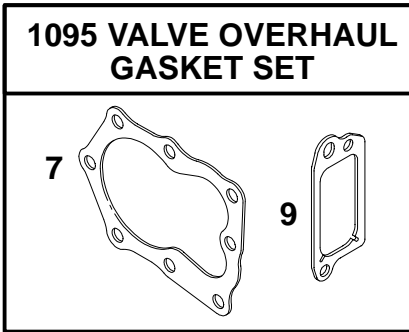
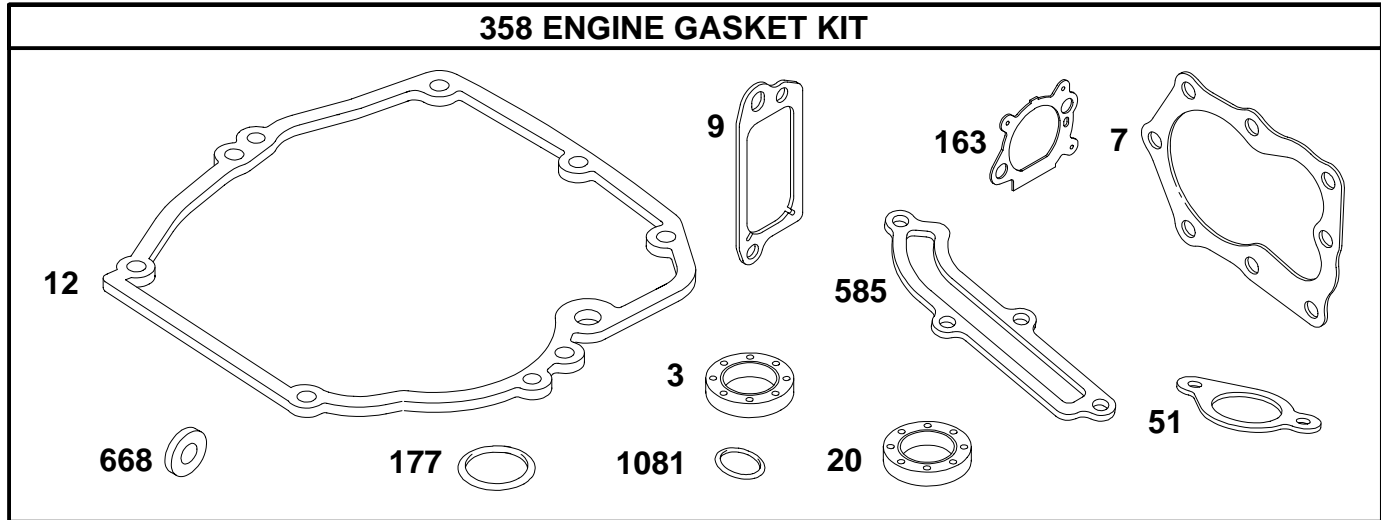
★ Included in Engine Gasket Set—See Ref. 358.

● Included in Carburetor Overhaul Kit—See Ref. No. 121.

◆ Included in Carburetor Gasket Set—See Ref. No. 977.

◊ Included in Valve Overhaul Gasket Set—See Ref. No. 1095.

# 12H700 to 12H799



REF. NO.	PART NO.	DESCRIPTION	REF. NO.	PART NO.	DESCRIPTION	REF. NO.	PART NO.	DESCRIPTION
3	★299819	Oil Seal (Magneto Side)	137	◆♦208492	Float Bowl Gasket	668	★493823	Spacer (Includes 2)
7	★Ø272916	Cylinder Head Gasket	163	★◆272653	Air Cleaner Gasket	708	◆♦691321	Dust Seal (Throttle Shaft)
9	★Ø272481	Breather Gasket	177	★280393	O-Ring Seal	<b>Note</b> ◆♦691321 Dust Seal (Choke Shaft)		
12	★272198	Crankcase Gasket	276	◆♦271716	Sealing Washer	977	498261	Carburetor Gasket Set
20	★399781	Oil Seal (PTO Side)	358	497316	Engine Overhaul Gasket Set	1081	★280966	O-Ring Seal (Dipstick Tube)
51	★272199	Intake Gasket	585	★272238	Breather Passage Gasket	1095	498528	Valve Overhaul Gasket Set
94	◆493765	Idle Mixture Kit	617	◆♦270344	O-Ring Seal (Intake Manifold)			
104	◆691242	Float Hinge Pin	633	◆♦693867	Choke Shaft Seal Used on Type No(s). 1705.			
121	498260	Carburetor Overhaul Kit						
127	◆694468	Welch Plug						
134	◆398188	Needle/Seal Kit						

★ Included in Engine Gasket Set—See Ref. 358.  
 ◆ Included in Carburetor Overhaul Kit—See Ref. No. 121.

◆ Included in Carburetor Gasket Set—See Ref. No. 977.  
 Ø Included in Valve Overhaul Gasket Set—See Ref. No. 1095.