

## 126700 to 126799

# Illustrated Parts List

## Industrial/Commercial®

### Model Series

# 126700 to 126799

#### TYPE NUMBERS

0100, 0101, 0106, 0108,  
0110 through 0125,  
0128 through 0149,  
0602 through 0623,  
3100 through 3126,  
3140, 3149, 3189.

#### TYPE NUMBERS

3191 through 3194,  
4001, 4003,  
5001 through 5007,  
7001, 7002, 7015,  
7016, 7017, 7025,  
7026, 7050, 7051.

#### TO FIND

#### THE CORRECT NUMBER OF THE PART YOU NEED: FOLLOW THE INSTRUCTIONS BELOW

- A. Refer to Engine Model, Type and Code Number that is stamped on the blower housing of engine. Engine type numbers such as 0123 01 are listed only as 0123 in most instances. The two digits (01 or 02, etc.) to the right of the space may be required for more accurate parts identification in some instances. Select the Illustrated Parts List covering the correct Model Series and Type Number.
- B. Refer to the Illustrations and compare the original part with Illustration. The number next to the illustration is the Reference Number. Assemblies include all parts shown in frames. All parts shown in assembly frames having individual reference numbers can be purchased separately.
- C. After the Reference Number has been identified, refer to the Numerical text, where Reference and Primary Part Number are listed. **THE PRIMARY PART IS USED ON ALL TYPE NUMBERS EXCEPT THOSE TYPE NUMBERS UNDER "NOTE."**
- D. If a "Note" appears below the Primary Part Number, it means that this part differs from the Primary Part for certain types. If your Type number is listed under "Note," order the part referred to at the "Note."
- E. If your Engine Type Number does not appear after any part number listed under "Note," use the Primary Part Number.
- F. For Engine Type Numbers not covered by this book, check other Parts Lists having the same engine model or contact your source of supply.

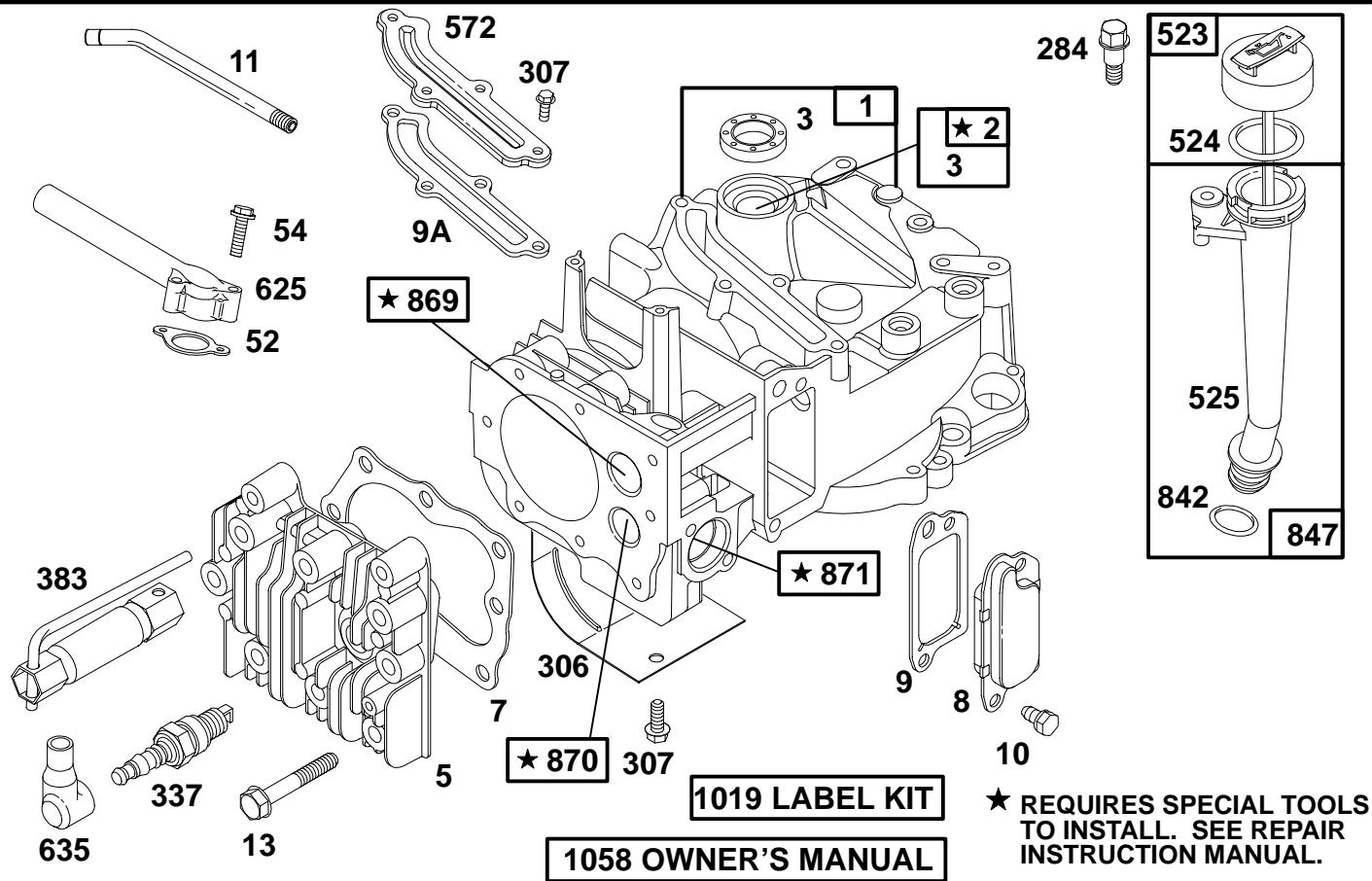
PRINTED IN U.S.A.

COPYRIGHT©

**BRIGGS & STRATTON**

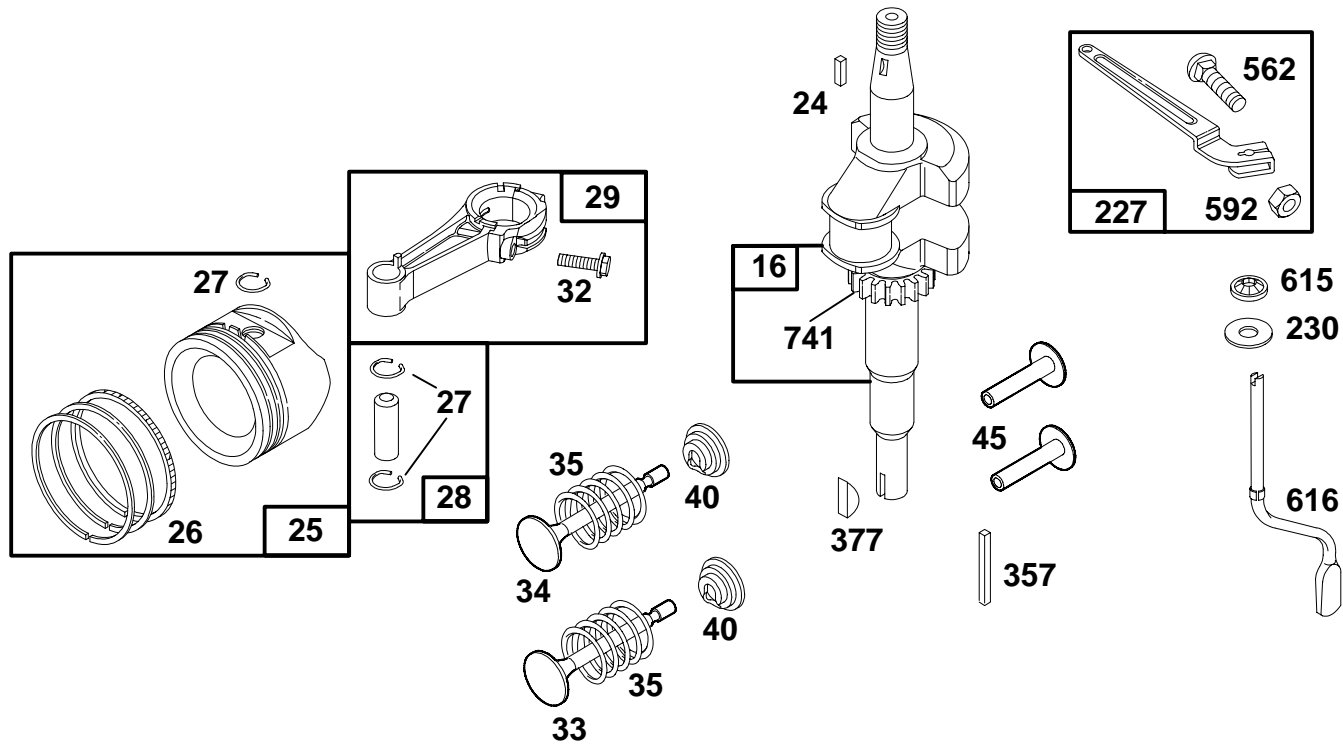
®

# 126700 to 126799



REF. NO.	PART NO.	DESCRIPTION	REF. NO.	PART NO.	DESCRIPTION	REF. NO.	PART NO.	DESCRIPTION
1	494062	Cylinder Assembly			(Resistor Type)	572	224328	Baffle-Cylinder
2	399269	Bushing			(1-5/8" High, 38 mm)	625	492717	Manifold-Intake
3	★299819	Seal-Oil			802592 Plug-Spark	635	66538	Boot-Spark Plug
5	213861	Head-Cylinder			(Resistor Tupe)	842	★280966	Seal-Cap
7	★272200	Gasket-Cylinder Hd.			(1-7/8" High, 48 mm)	847	495263	Tube-Oil Fill
8	494489	Breather Assembly	383	89838	Wrench-Spark Plug			(Used After Code Date 92072600).
9	★272481	Gasket-Breather	523	495264	Cap-Oil Fill			———— <b>Note</b> ————
9A	★272238	Gasket-Breather			(Used After Code Date 92072600).			493459 Tube-Oil Fill
10	94650	Screw-Hex. Head			———— <b>Note</b> ————			(Used Before Code Date 92072700).
11	231685	Tube-Breather			493950 Cap-Oil Fill	869	213512	Seat-Valve
13	94547	Screw-Cylinder Hd.			(Used Before Code Date 92072700).			(Intake)
52	★272199	Gasket-Intake Elbow	524	★280393	Seal-Fill Tube	870	213513	Seat-Valve
54	94526	Screw-Hex. Head	525	495265	Tube-Oil Fill			(Exhaust)
284	94511	Screw-Hex. Head			(Used After Code Date 92072600).	871	262001	Guide-Bushing
306	224324	Shield-Cylinder			———— <b>Note</b> ————			63709 Guide-Intake
307	94515	Screw-Hex. Head			493952 Tube-Oil Fill			Valve
337	492167	Plug-Spark			(Used Before Code Date 92072700).	1019	494256	Label Kit
		———— <b>Note</b> ————				1058	272262	Owner's Manual
		293918 Plug-Spark						

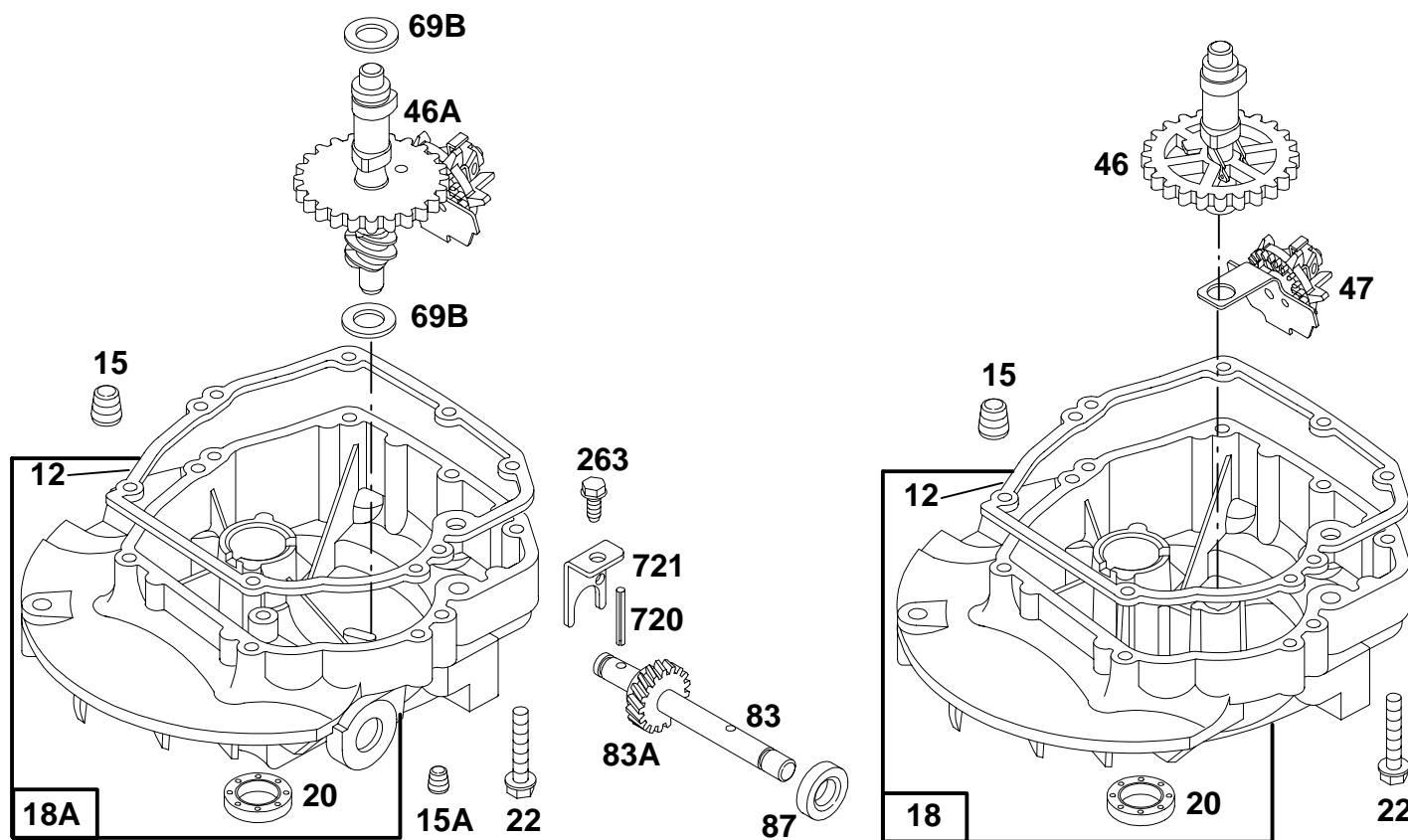
★ Included in Gasket Set-See Ref. 358.  
 ● Included in Carburetor Kit-Part No. 493762.  
 ◆ Included in Carburetor Gasket Set-Part No. 490937.



REF. NO.	PART NO.	DESCRIPTION	REF. NO.	PART NO.	DESCRIPTION	REF. NO.	PART NO.	DESCRIPTION
16		Crankshaft <b>See Last Pages.</b>		493390	Ring Set (.030" O.S.)	45	262204	Tappet-Valve
24	222698	Key-Flywheel	27	26026	Lock-Piston Pin	227	492349	Lever-Governor
25	494058	Piston Assy. (Standard)	28	298909	Pin-Piston (Standard)	230	67072	Washer-Governor Crank
	494059	Piston Assy. (.010" O.S.)	29	490566	Rod-Connecting	357	91540	Key-Square
	494060	Piston Assy. (.020" O.S.)		490743	Rod-Connecting (.020" Undersize)	377	94329	Key-Woodruff (For 25 mm Crank- shaft)
	494061	Piston Assy. (.030" O.S.)	32	94699	Screw-Connecting Rod			<b>Note</b>
26	493261	Ring Set (Standard)	33	262651	Valve-Exhaust			93065 Key-Crankshaft (For 7/8" Dia. Crankshaft)
	493388	Ring Set (.010" O.S.)	34	262652	Valve-Intake	562	92613	Bolt-Governor Lever
	493389	Ring Set (.020" O.S.)	35	262224	Spring-Valve	592	231082	Nut-Hex.
			40	93312	Retainer-Valve Spring	615	94474	Fastener
						616	262578	Crank-Governor
						741	262598	Gear-Timing

★ Included in Gasket Set-See Ref. 358.  
 ● Included in Carburetor Kit-Part No. 493762.  
 ◆ Included in Carburetor Gasket Set-Part No. 490937.

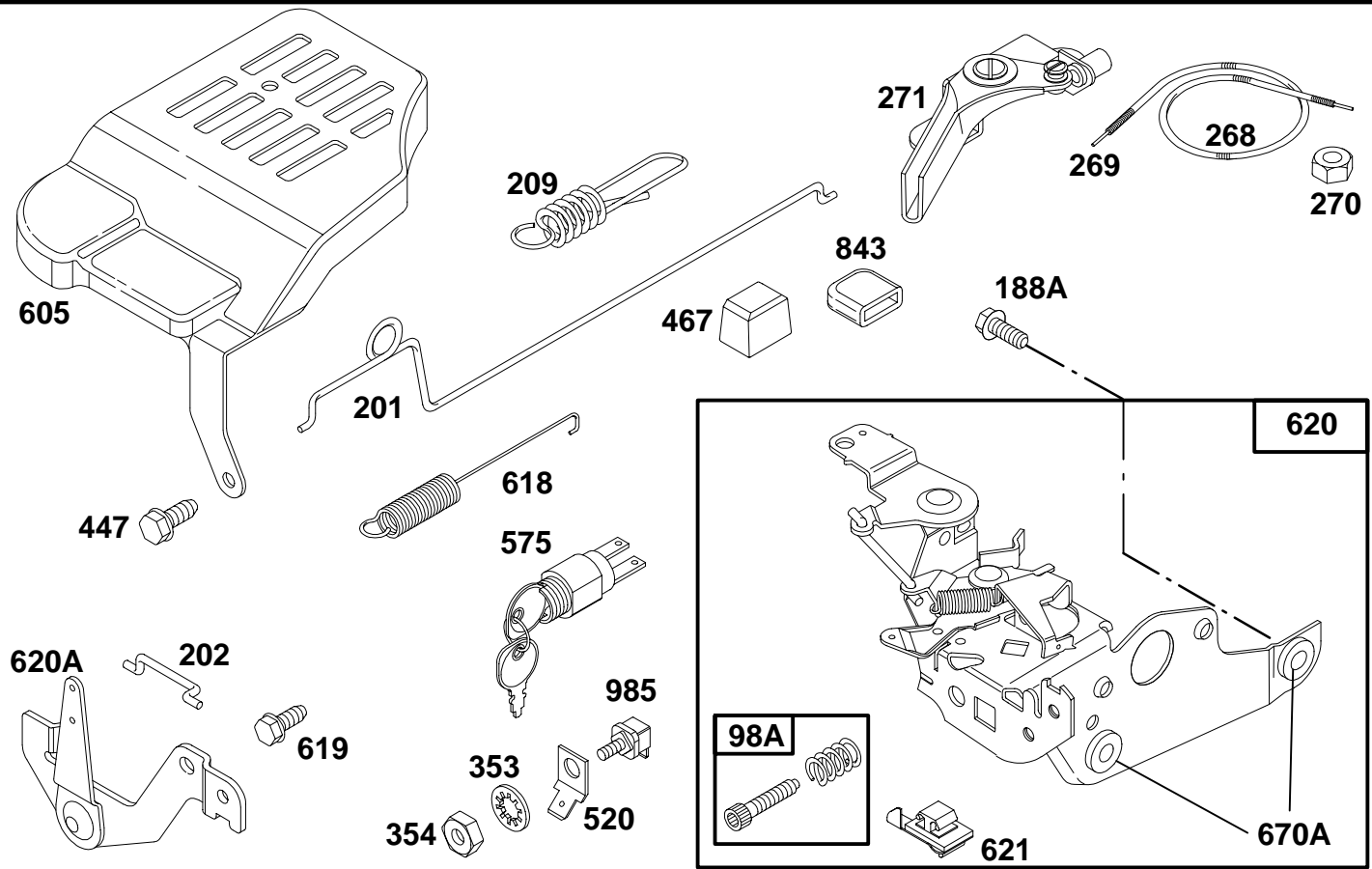
# 126700 to 126799



REF. NO.	PART NO.	DESCRIPTION	REF. NO.	PART NO.	DESCRIPTION	REF. NO.	PART NO.	DESCRIPTION		
12	★272198	Gasket-Crankcase			<b>Note</b>			<b>231748</b> Shaft-Drive		
15	94613	Plug-Oil Drain			<b>493740</b> Gear-Cam			Used on Type No(s).		
15A	94470	Plug-Oil Drain (Hex. Socket, 1/16-27 NPTF)			Used on Type No(s).			0125, 0129, 0130, 0142, 7050, 7051.		
18	493279	Sump-Engine			0141, 0145, 0148, 3194, 7050.	83A	231279	Gear-Drive		
18A	493365	Sump-Engine	47	493737	Slinger-Oil			<b>Note</b>		
20	★399781	Seal-Oil	69B	68938	Washer-Thrust			<b>231278</b> Gear-Drive		
22	94220	Screw-Hex. Head	83	231759	Shaft-Drive			Used on Type No(s).		
		<b>Note</b>			<b>Note</b>			0141, 0145, 0148, 3194, 7050.		
		94612 Screw-Hex. Head			<b>231671</b> Shaft-Drive			87	391484	Seal-Oil
		One Used in Hole			Used on Type No(s).			263	94602	Screw-Self Tap
		Nearest Breather.			0118, 0129, 0141, 0145, 0617, 0623, 3115, 3194.			720	93474	Pin-Roll
46	492830	Gear-Cam			<b>231711</b> Shaft-Drive			721	224249	Stop-Shaft
46A	493738	Gear-Cam (Counterclockwise)			Used on Type No(s).					
					0148.					

★ Included in Gasket Set-See Ref. 358.  
 ● Included in Carburetor Kit-Part No. 493762.  
 ◆ Included in Carburetor Gasket Set-Part No. 490937.

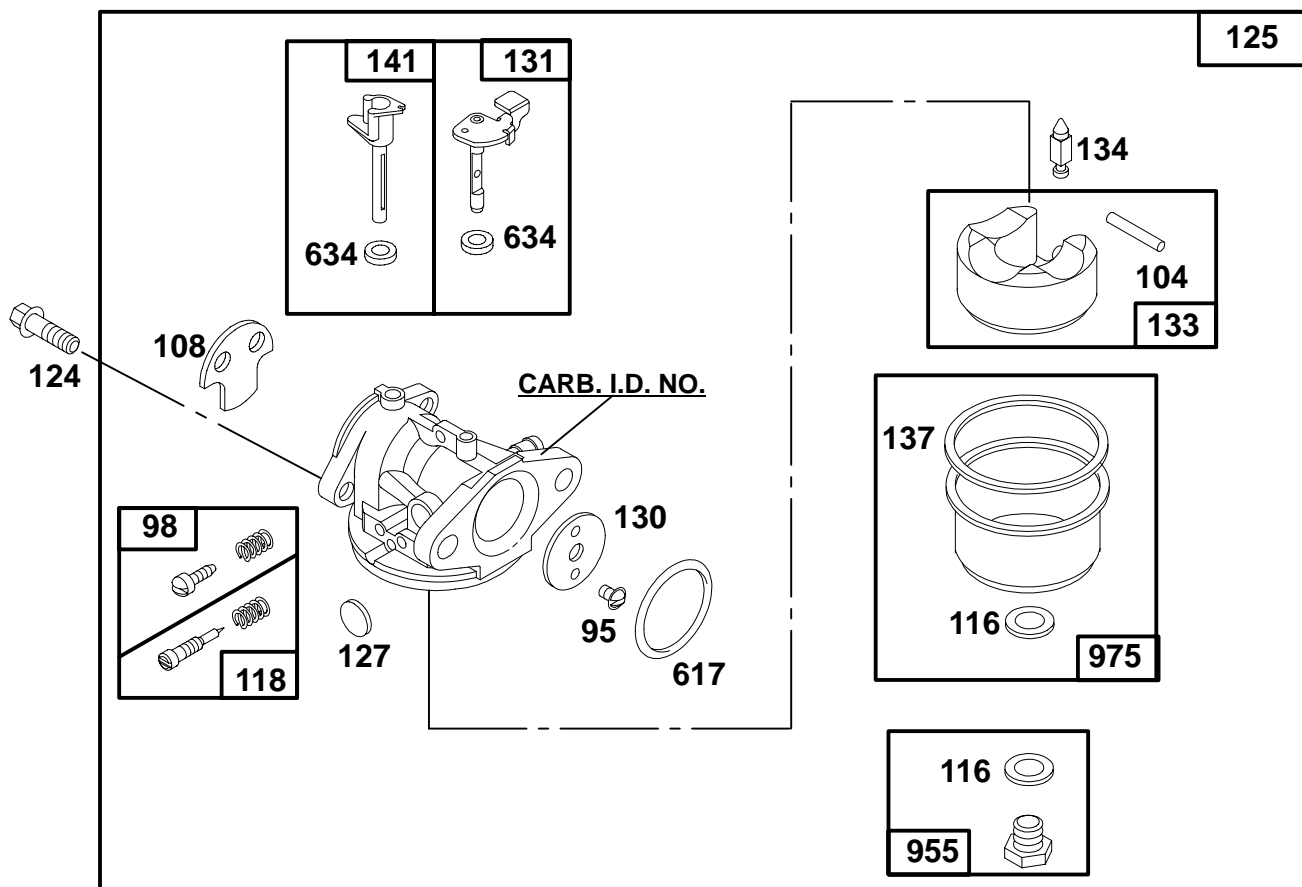
126700 to 126799



REF. NO.	PART NO.	DESCRIPTION	REF. NO.	PART NO.	DESCRIPTION	REF. NO.	PART NO.	DESCRIPTION
98A	493280	Screw—Speed Adj.	269	26099	Wire—Control (54" Long)	520	93722	Terminal
188A	94644	Screw—Hex. Head			<b>Note</b>	575	396291	Switch Assy.—Key
201	262579	Link			If Longer Wire is Needed, Specify Length in Inches; if Shorter Wire is Needed, Cut to Required Length.			<b>Include(s):</b>
202	262782	Link	270	63426	Locknut—Casing			392832 Key Set
209		Spring—Governor	271	290568	Lever Assy.—Control	605	224509	Bracket—Support
		<b>See Last Pages.</b>	353	92791	Washer—Lock	618	262749	Spring
268	66986	Casing—Wire (48" Long)	354	90576	Nut—Hex.	619	94620	Screw—Self Tap
		<b>Note</b>	447	93801	Screw—Hex. Hd.	620		Bracket—Control
		If Longer Casing is Needed, Specify Length in Inches; if Shorter Casing is Needed, Cut to Required Length.	467	280857	Knob			<b>See Last Pages.</b>
						620A	494112	Bracket—Control
						621	396847	Switch—Stop
						670A	★493823	Spacer—Bracket (Includes 2)
						843	272616	Sleeve—Lever
						985	398525	Insulator

★ Included in Gasket Set—See Ref. 358.  
 ● Included in Carburetor Kit—Part No. 493762.  
 ◆ Included in Carburetor Gasket Set—Part No. 490937.

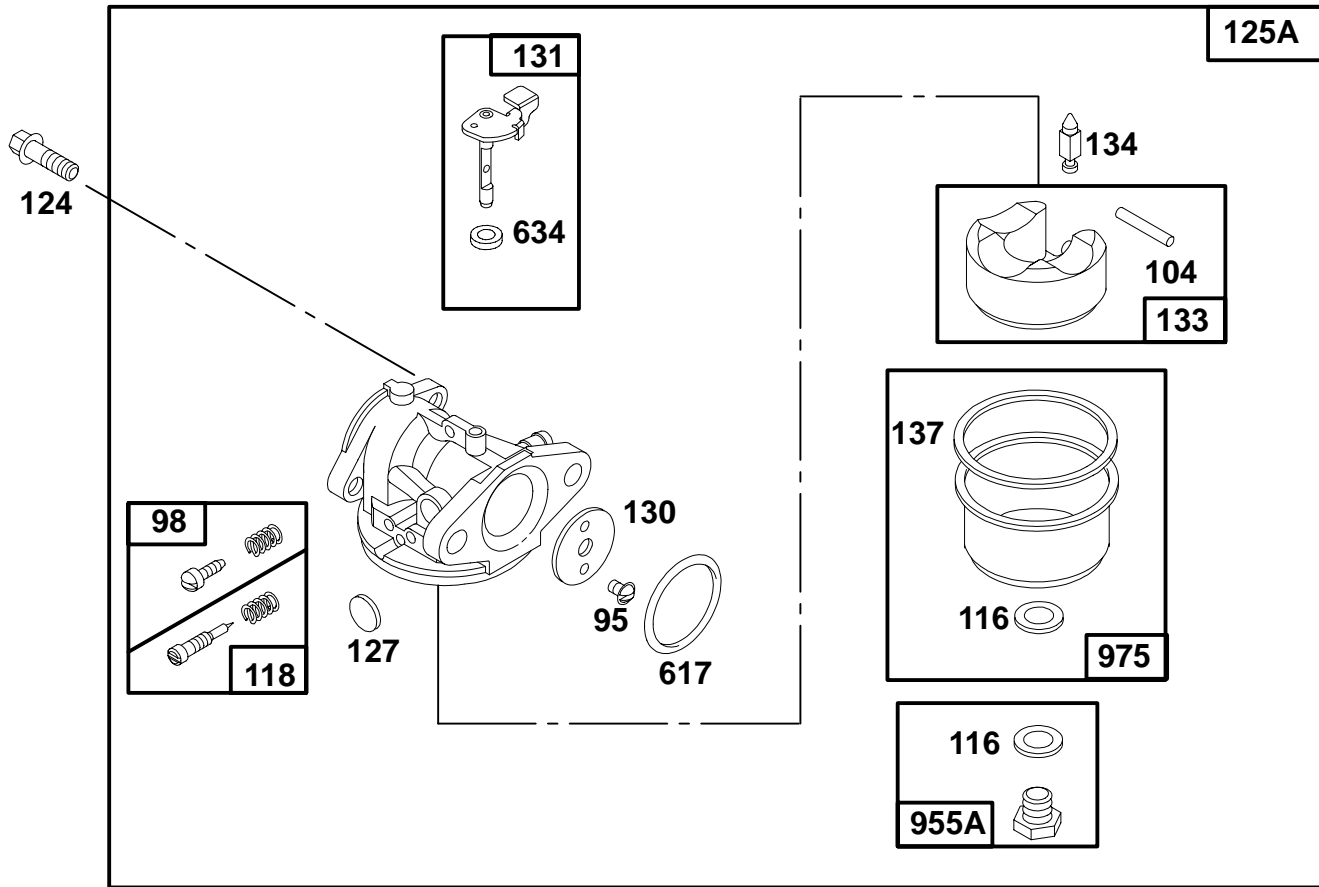
# 126700 to 126799



REF. NO.	PART NO.	DESCRIPTION	REF. NO.	PART NO.	DESCRIPTION	REF. NO.	PART NO.	DESCRIPTION
95	94098	Screw-Round Head			Used on Type No(s). 0108, 0119, 0141, 0145, 3107, 3120, 3121, 3194, 4001.	955	493869	Screw-Float Bowl (Standard)
98	398185	Screw-Idle Adjustment						<b>OR</b>
104	●231371	Pin-Float Hinge						<b>493763</b> Screw-Float Bowl (High Altitude)
108	223471	Valve-Choke						<b>Note</b>
116	◆	Gasket-Sealing (Sold in Kit Only)	127	●	Plug-Welch (Sold in Kit Only)			<b>493637</b> Screw-Float Bowl
118	493765	Valve Kit-Needle	130	223470	Valve-Throttle			(Standard)
124	94525	Screw-Carburetor Mounting	131	493267	Shaft-Throttle			<b>OR</b>
125	494217	Carburetor <b>SEE NEXT PAGE FOR ADDITIONAL CARBURETOR.</b>	133	398187	Float-Carburetor			<b>494870</b> Screw-Float Bowl (High Altitude)
		<b>Note</b>	134	●398188	Valve-Needle (Includes Seat)			Used on Type No(s). 0108, 0119, 0141, 0145, 3107, 3120, 3121, 3194, 4001.
		<b>493627</b> Carburetor (For Primer) (Used Before Code Date 93080200).	137	◆	Gasket-Float Bowl (Sold in Kit Only)			
			141	494218	Shaft-Choke			
			617	◆270344	Seal-Fuel Intake Tube			
			634	◆	Washer-Shaft (Sold in Kit Only)			
						975	493640	Bowl-Float

★ Included in Gasket Set-See Ref. 358.  
● Included in Carburetor Kit-Part No. 493762.  
◆ Included in Carburetor Gasket Set-Part No. 490937.

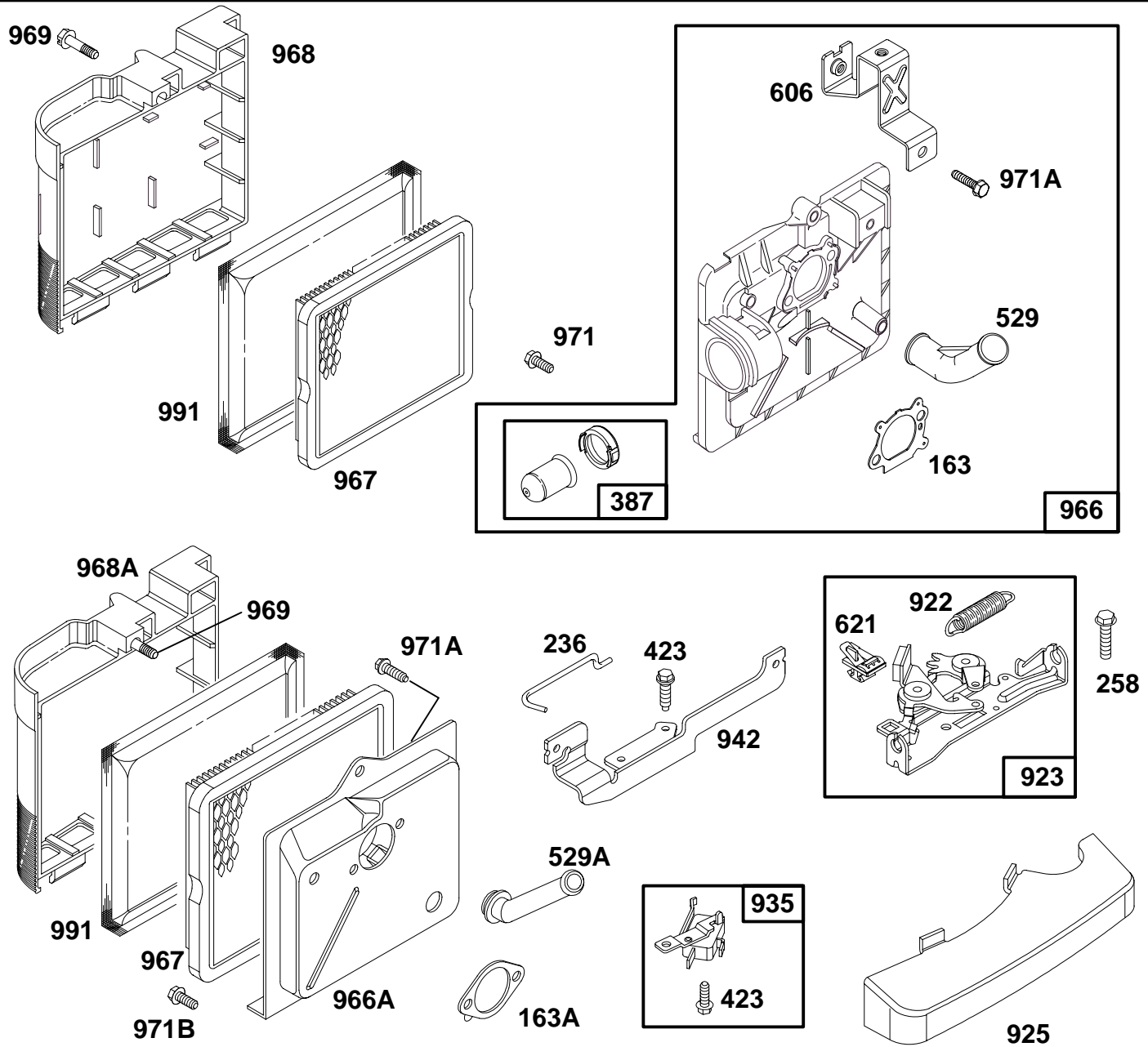
126700 to 126799



REF. NO.	PART NO.	DESCRIPTION	REF. NO.	PART NO.	DESCRIPTION	REF. NO.	PART NO.	DESCRIPTION
95	94098	Screw-Round Head	127	•	Plug-Welch (Sold in Kit Only)	617	••270344	Seal-Fuel Intake Tube
98	398185	Screw-Idle Adjustment	130	223470	Valve-Throttle	634	••	Washer-Shaft (Sold in Kit Only)
104	•231371	Pin-Float Hinge	131	493267	Shaft-Throttle	955A	493637	Screw-Float Bowl (Standard)
116	•♦	Gasket-Sealing (Sold in Kit Only)	133	398187	Float-Carburetor			<b>OR</b> 496063 Screw-Float Bowl (For High Altitude)
118	•493765	Valve Kit-Needle	134	•398188	Valve-Needle (Includes Seat)	975	493640	Bowl-Float
124	94525	Screw-Carb. Mtg.	137	•♦	Gasket-Float Bowl (Sold in Kit Only)			
125A	496114	Carburetor (For Primer) (Used After Code Date 93080100).						

★ Included in Gasket Set-See Ref. 358.  
 • Included in Carburetor Kit-Part No. 493762.  
 ♦ Included in Carburetor Gasket Set-Part No. 490937.

# 126700 to 126799



REF. NO.	PART NO.	DESCRIPTION	REF. NO.	PART NO.	DESCRIPTION	REF. NO.	PART NO.	DESCRIPTION
163	★272653	Gasket–Air Cleaner	925	281145	Cover–Linkage	967	491588	Filter–Air
163A	★272296	Gasket–Air Cleaner	935	398758	Switch–Interlock	968	281340	Cover–Air Cleaner
236	262461	Link–Lock Out	942	224494	Bracket–Brake	968A	281069	Cover–Air Cleaner
258	94512	Screw–Hex. Head	966	496116	Base–Air Cleaner (Primer Style)	969	94120	Screw–Cover Mtg.
387	496115	Primer–Carburetor	966A	492363	Base–Air Cleaner (Metal)	971	94121	Screw–Air Cleaner
423	93758	Screw–Hex. Head				971A	94749	Screw–Hex. Head
529	281299	Grommet				971B	94269	Screw–Air Cleaner
529A	280943	Grommet				991	493537	Pre–Filter Assembly
606	224815	Strap–Bracket						
621	396847	Switch–Stop						
922	262640	Spring–Brake						
923	493442	Brake						

- ★ Included in Gasket Set–See Ref. 358.
- Included in Carburetor Kit–Part No. 493762.
- ◆ Included in Carburetor Gasket Set–Part No. 490937.

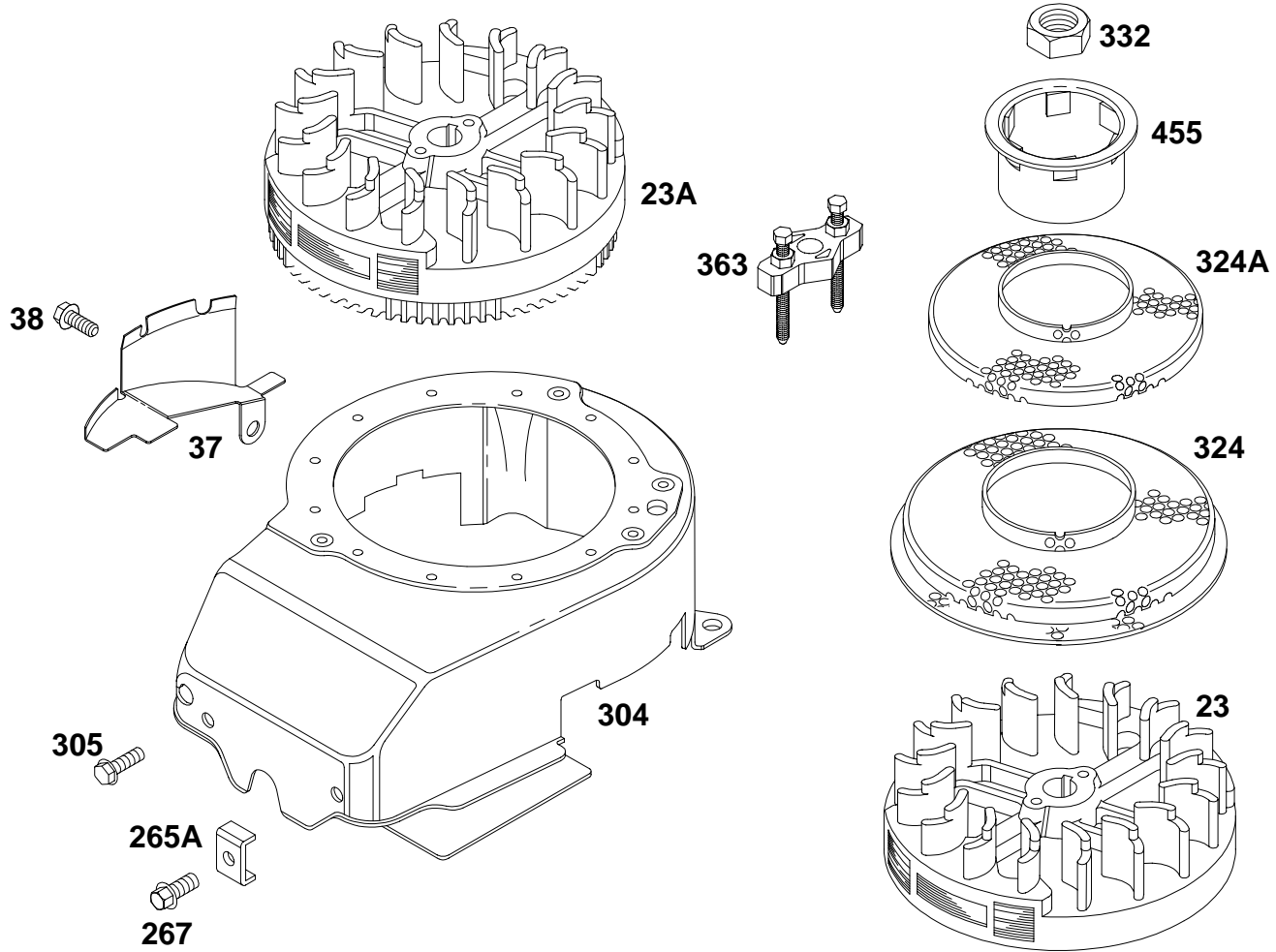
2240–8

Assemblies include all parts shown in frames.

94



126700 to 126799



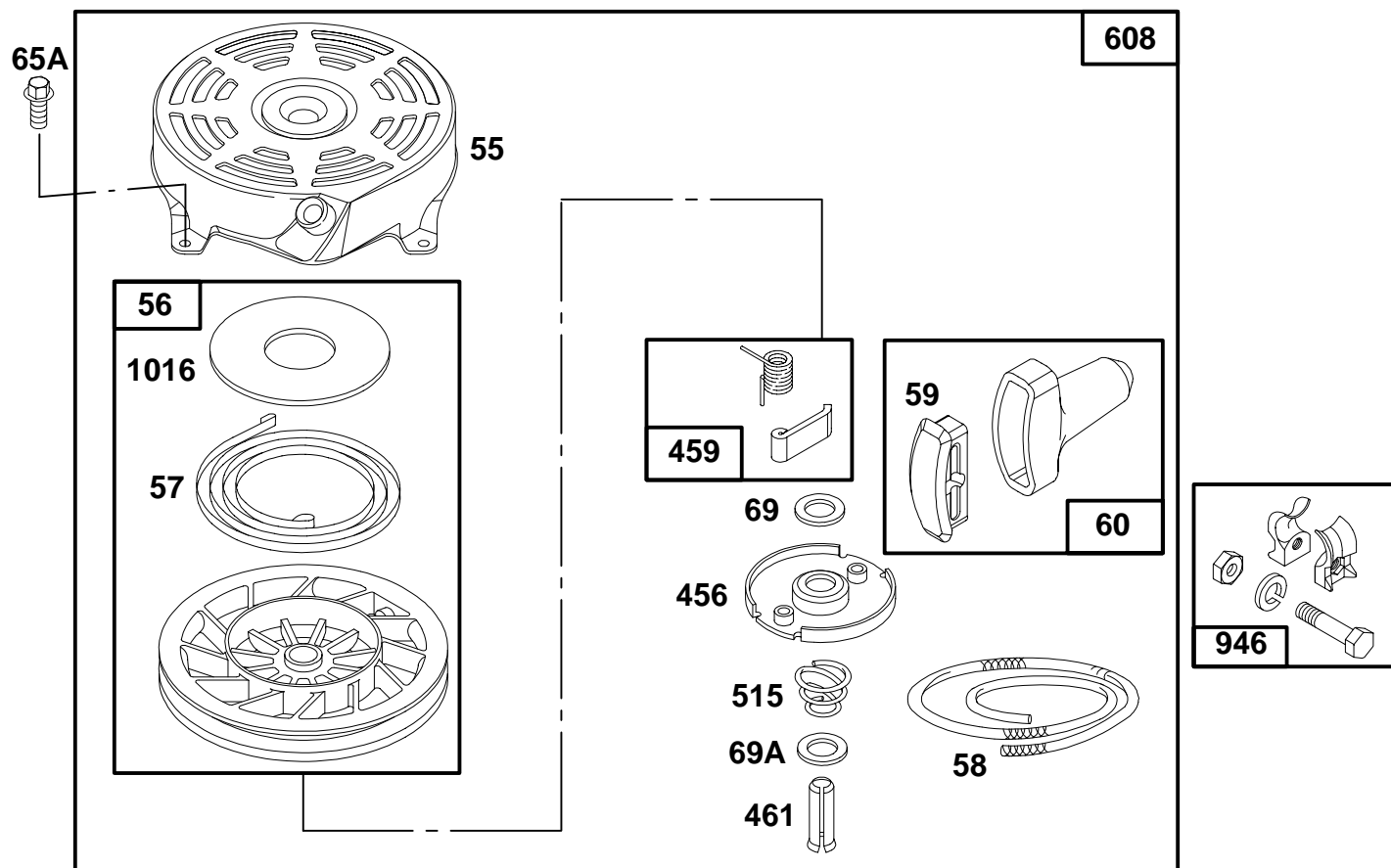
REF. NO.	PART NO.	DESCRIPTION	REF. NO.	PART NO.	DESCRIPTION	REF. NO.	PART NO.	DESCRIPTION
23	492177	Flywheel	37	224511	Guard-Flywheel	305	94513	Screw-Sem
23A	492175	Flywheel	38	94608	Screw-Hex. Head	324	224527	Screen-Rotating
		<b>Note</b>	265A	22372	Clamp-Casing	324A	224251	Screen-Rotating (For 1 Quart Tank).
		492893 Flywheel	267	94204	Screw-Clamp Mtg.	332	92284	Nut-Flywheel
		Used on Type No(s).	304	493294	Housing-Blower	363	19069	Flywheel Puller
		0120, 0125, 0128,			Used on Engines	455	224250	Cup-Starter
		0129, 0130, 0136,			Without Band Brake.			
		0137, 0141, 0144,			<b>Note</b>			
		0145, 0148, 0149,			493293 Housing-			
		0620, 0621, 4001,			Blower			
		4003, 5001, 5002,			Used on Engines With			
		5003, 5005, 5006,			Band Brake.			
		5007.						

- ★ Included in Gasket Set-See Ref. 358.
- Included in Carburetor Kit-Part No. 493762.
- ◆ Included in Carburetor Gasket Set-Part No. 490937.

2240-9

Assemblies include all parts shown in frames.

# 126700 to 126799



REF. NO.	PART NO.	DESCRIPTION	REF. NO.	PART NO.	DESCRIPTION	REF. NO.	PART NO.	DESCRIPTION
55	492831	Housing—Rewind Starter	60	393152	Grip—Starter Rope	515	262625	Spring—Retainer
56	493824	Pulley—Starter	65A	94579	Screw—Hex. Head	608	493295	Starter—Rewind
57	262594	Spring—Rewind Starter	69	280973	Washer—Spring	<b>Include(s):</b> 94128 Screw—Hex. Hd 92987 Nut—Hex.		
58	280399	Rope—Starter (Cut To Suit)	69A	224322	Washer—Flat	946	396526	Guide—Rope
59	396892	Insert—Handle	456	224321	Retainer—Spring	1016	224278	Cover—Pulley
			459	492833	Pawl—Starter			
			461	262626	Pin—Shaft			

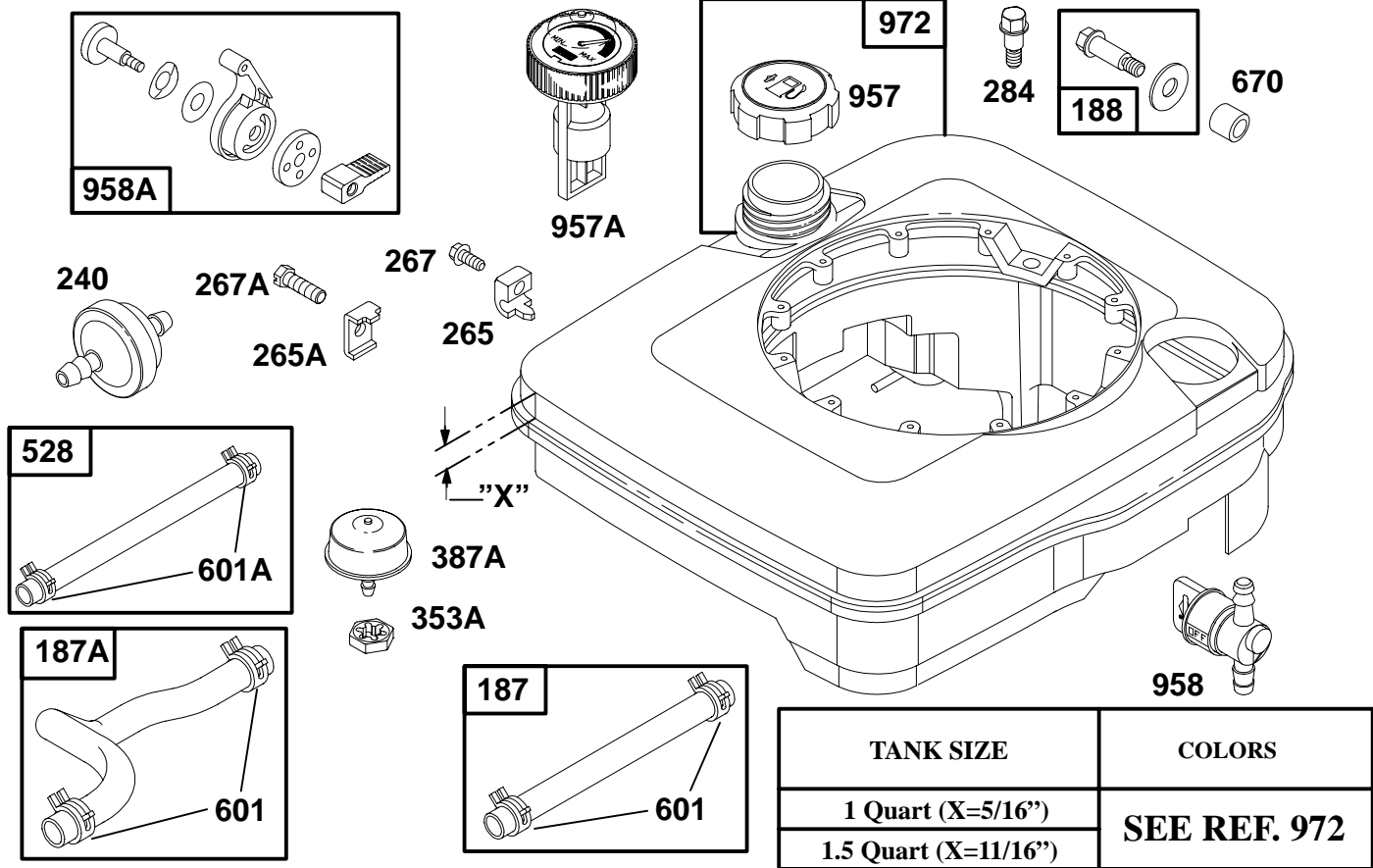
- ★ Included in Gasket Set—See Ref. 358.
- Included in Carburetor Kit—Part No. 493762.
- ◆ Included in Carburetor Gasket Set—Part No. 490937.

2240-10

Assemblies include all parts shown in frames.

94

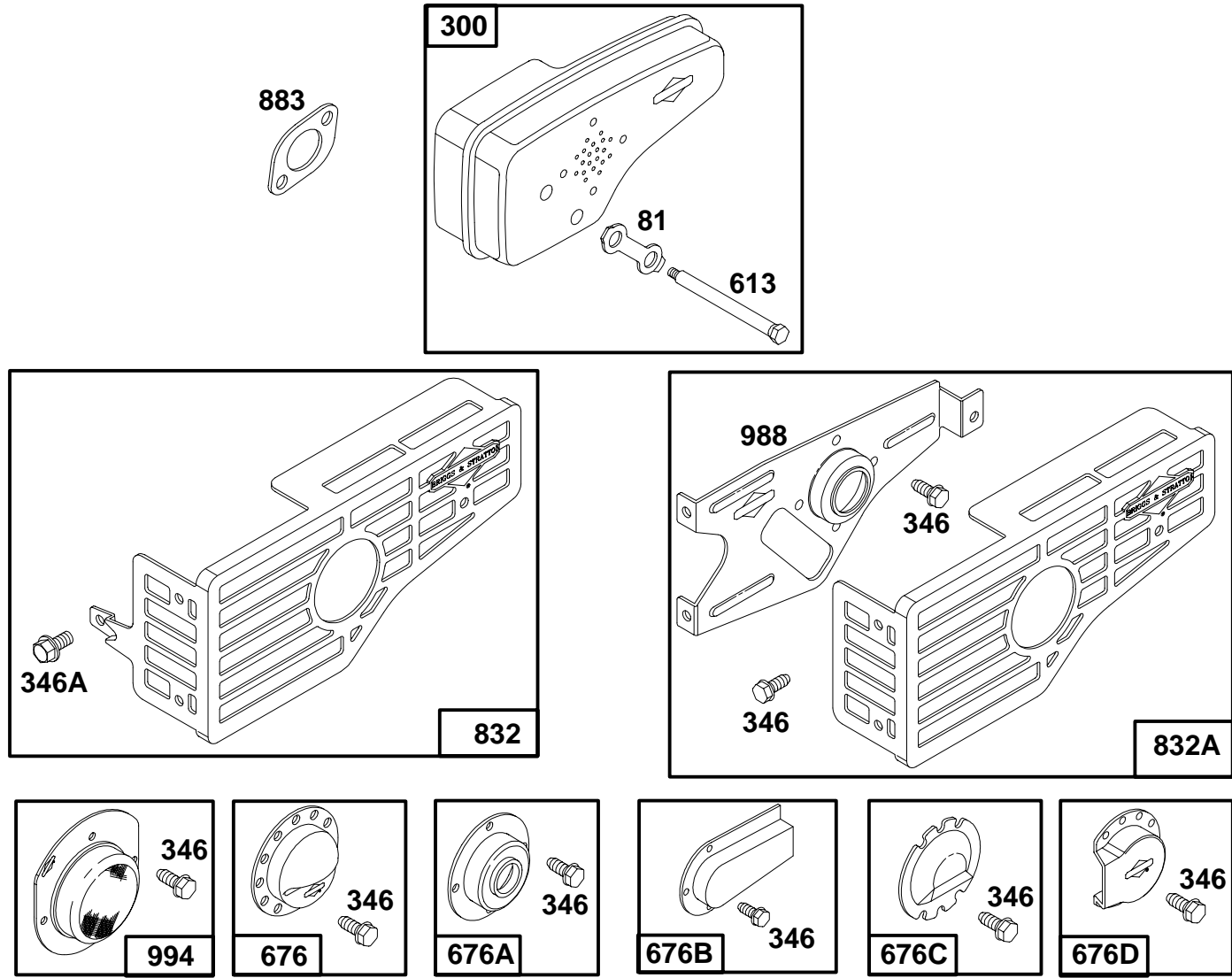
126700 to 126799



REF. NO.	PART NO.	DESCRIPTION	REF. NO.	PART NO.	DESCRIPTION	REF. NO.	PART NO.	DESCRIPTION
187	492790	Line-Fuel (6-3/4" Long) (Cut to Suit)	240	298090	Filter-Fuel	601A	94171	Clamp-Hose (Black)
		<b>Note</b>	265	213146	Clamp-Casing	670	280512	Spacer
		296004 Hose-Fuel (23" Long) (Cut to Suit)	265A	221535	Clamp-Casing	957	397974	Cap-Fuel Tank
		Used on Type No(s). 3108, 3149.	267	94204	Screw-Clamp Mtg.	957A	494277	Cap-Fuel Tank
187A	492791	Line-Fuel (Molded)	267A	93469	Screw-Clamp Mtg.	958	494768	Valve-Shut-Off
188	398540	Screw-Tank Mounting	284	94511	Screw-Hex. Head	958A	494235	Valve-Shut-Off
			353A	94581	Nut-Lock	972		Tank-Fuel
			387	394281	Primer-Carburetor			See Last Pages.
			528	399254	Hose-Primer			
			601	93053	Clamp-Hose (Green)			
					<b>Note</b>			

★ Included in Gasket Set-See Ref. 358.  
 ● Included in Carburetor Kit-Part No. 493762.  
 ◆ Included in Carburetor Gasket Set-Part No. 490937.

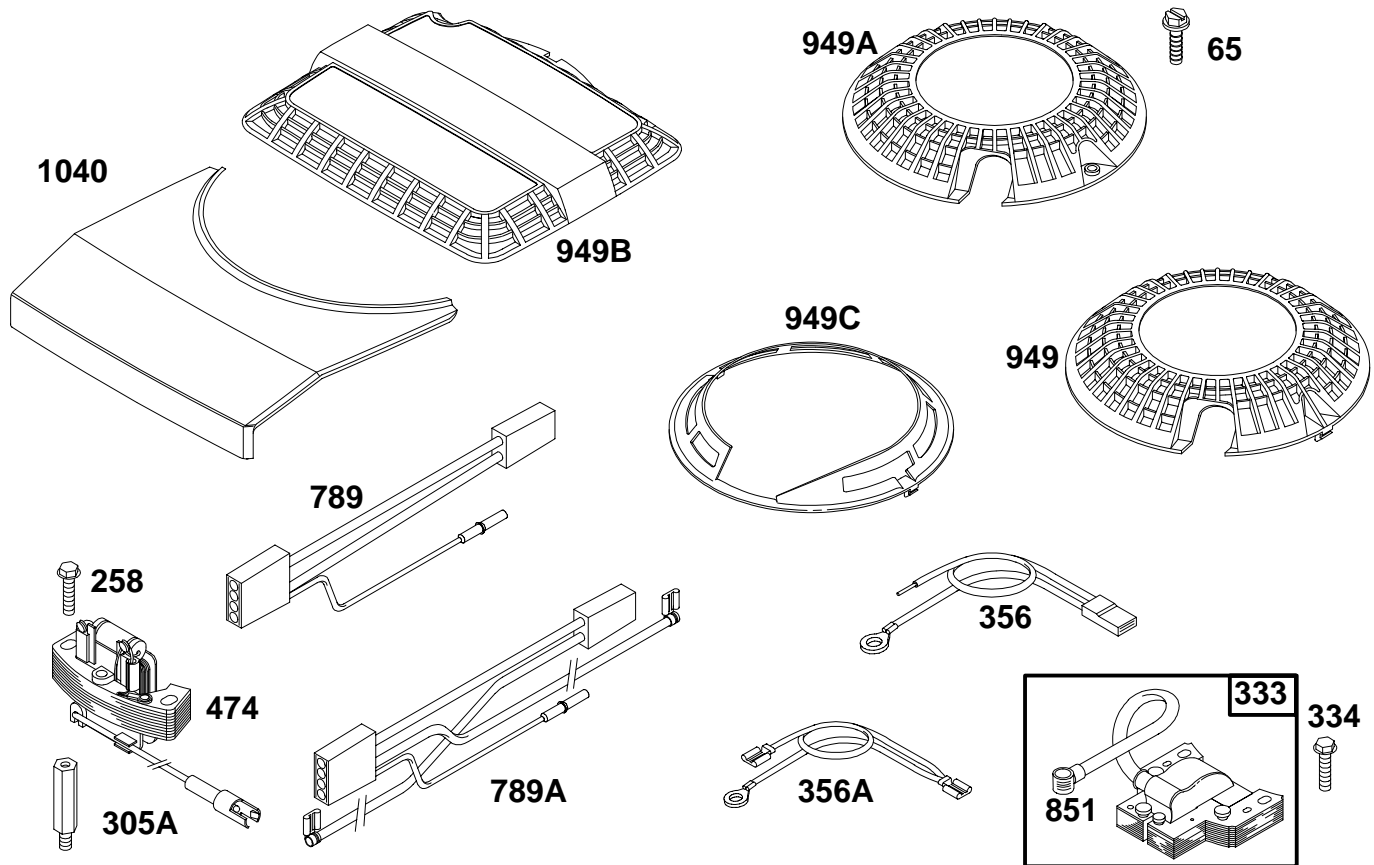
# 126700 to 126799



REF. NO.	PART NO.	DESCRIPTION	REF. NO.	PART NO.	DESCRIPTION	REF. NO.	PART NO.	DESCRIPTION
81	223664	Lock-Muffler Screw	676	396548	Deflector-Muffler	832A	494224	Guard-Muffler
300	490547	Muffler-Exhaust	676A	397931	Deflector-Muffler	883	★272253	Gasket-Exhaust
346	93705	Screw-Hex. Head	676B	493871	Deflector-Muffler	988	223828	Bracket-Mounting
346A	94602	Screw-Hex. Head	676C	393756	Deflector-Muffler	994	398067	Arrester-Spark
613	94231	Screw-Muffler Mounting	676D	393760	Deflector-Muffler			
			832	499034	Guard-Muffler			

★ Included in Gasket Set-See Ref. 358.  
 ● Included in Carburetor Kit-Part No. 493762.  
 ◆ Included in Carburetor Gasket Set-Part No. 490937.

126700 to 126799



REF. NO.	PART NO.	DESCRIPTION	REF. NO.	PART NO.	DESCRIPTION	REF. NO.	PART NO.	DESCRIPTION
65	94058	Screw-Guard Mounting	356A	398708	Wire-Stop	949A	280946	Guard-Finger (Screw in Style For 1-1/2 Quart Tank)
258	94512	Screw-Hex. Head	474	492841	Alternator	949B	281230	Guard-Finger Used on Type No(s). 3191, 3192, 3193.
305A	94510	Stud-Alternator Mtg.	789	493379	Harness-Wire Used on Engines Without Band Brake.	949C	281187	Guard-Finger (For 1 Quart Tank).
333	802574	Armature-Magneto	789A	493380	Harness-Wire Used on Engines With Band Brake.	1040	281252	Plate-Name Used on Type No(s). 0133, 0134, 0135.
334	93381	Screw-Armature Mounting	851	221798	Terminal-Cable			
356	398808	Wire-Stop	949	281136	Guard-Finger (Snap in Style For 1-1/2 Quart Tank)			
		<b>Note</b>						
		494714 Wire-Stop Used on Type No(s). 3116.						

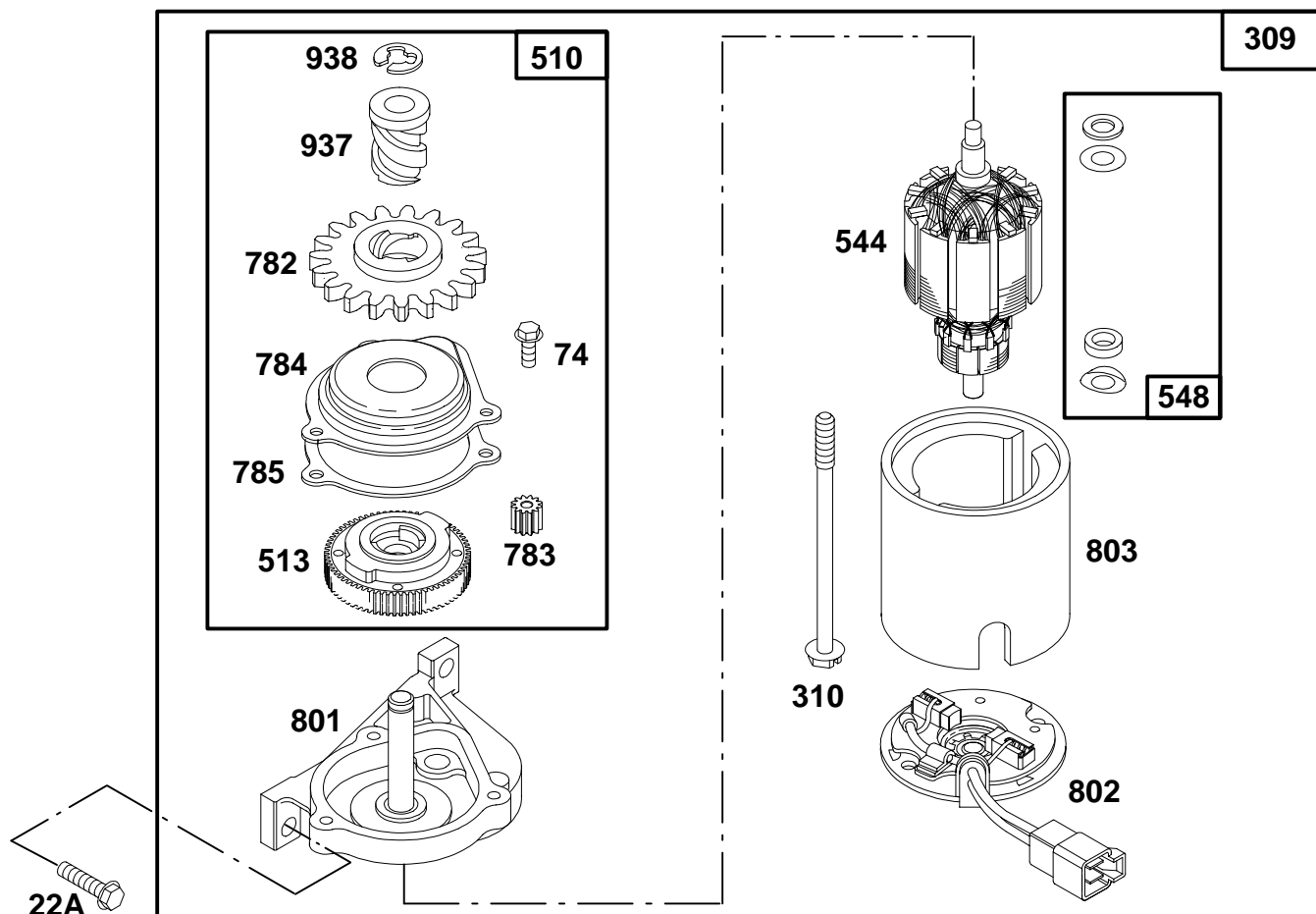
- ★ Included in Gasket Set-See Ref. 358.
- Included in Carburetor Kit-Part No. 493762.
- ◆ Included in Carburetor Gasket Set-Part No. 490937.

2240-13

Assemblies include all parts shown in frames.

94

# 126700 to 126799



REF. NO.	PART NO.	DESCRIPTION	REF. NO.	PART NO.	DESCRIPTION	REF. NO.	PART NO.	DESCRIPTION
22A	94268	Screw-Hex. Head	544	492921	Armature-Starter	801	492335	Cap-Drive
74	93490	Screw-Sem	548	492919	Washer Set	802	492922	Cap-End
309	494233	Motor-Starter	782	281127	Gear-Starter	803	492920	Housing-Starter
310	94051	Bolt-Thru	783	261606	Gear-Starter	937	281125	Spline-Starter
510	494147	Drive-Starter	784	224262	Cover-Gear	938	93941	Retainer-Lock
513	394815	Clutch-Drive	785	272201	Gasket-Cover			

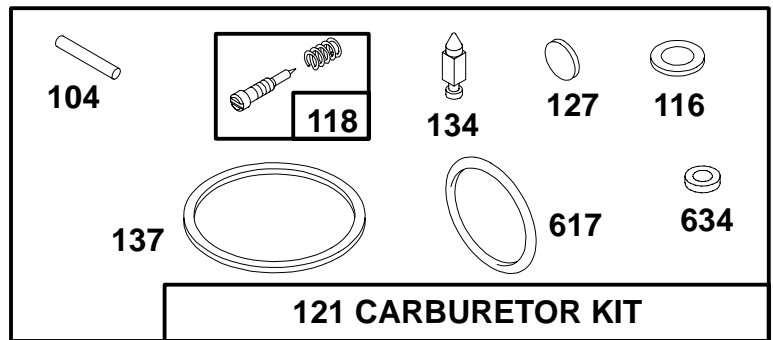
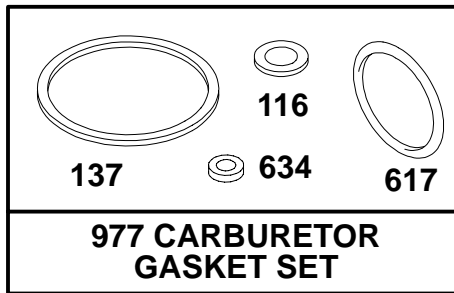
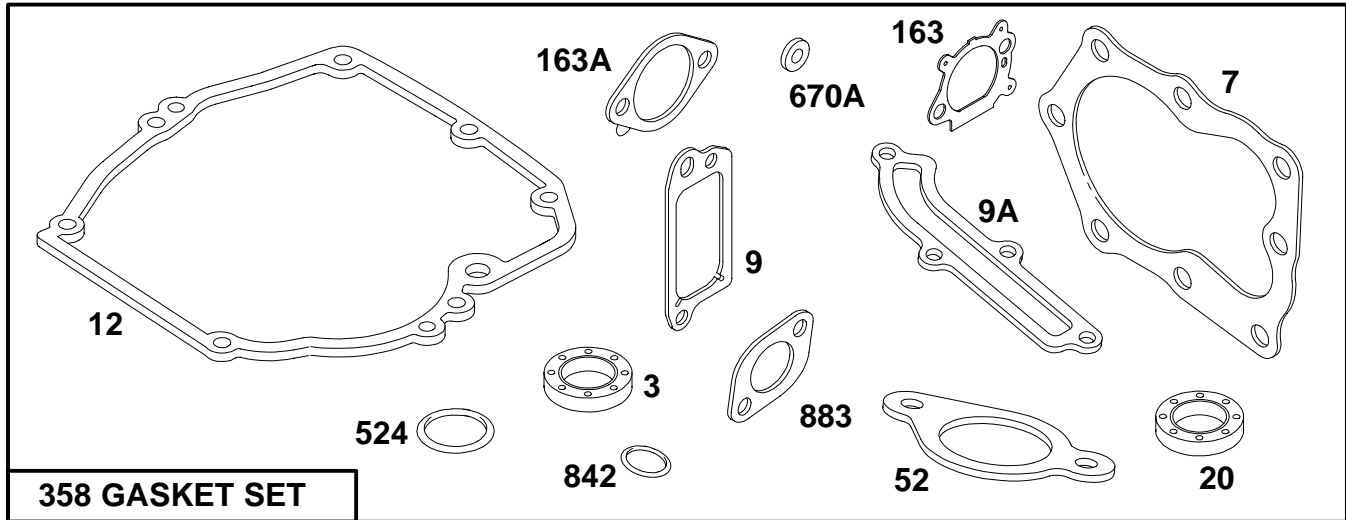
- ★ Included in Gasket Set-See Ref. 358.
- Included in Carburetor Kit-Part No. 493762.
- ◆ Included in Carburetor Gasket Set-Part No. 490937.

2240-14

Assemblies include all parts shown in frames.

94

126700 to 126799



REF. NO.	PART NO.	DESCRIPTION	REF. NO.	PART NO.	DESCRIPTION	REF. NO.	PART NO.	DESCRIPTION
3	★299819	Seal-Oil	127	●	Plug-Welch (Sold in Kit Only)	————— <b>Note</b> —————		
7	★272200	Gasket-Cylinder Hd.	134	●398188	Valve-Inlet (Includes Seat)	493263		Gasket Set (Used Before Code Date 93080200).
9	★272481	Gasket-Valve Cover	137	◆	Gasket-Bowl (Sold in Kit Only)	524	★280393	Seal-Filler Tube
9A	★272238	Gasket-Baffle Plate	163	★272653	Gasket-Air Cleaner	617	◆270344	Seal-Fuel Intake Tube
12	★272198	Gasket-Crankcase	163A	★272296	Gasket-Air Cleaner	634	◆	Washer-Shaft
20	★399781	Seal-Oil	358	496117	Gasket Set (Used After Code Date 93080100)	670A	★493823	Spacer (Includes 2) (Sold in Kit Only)
52	★272199	Gasket-Intake Elbow				842	★280966	Seal-O-Ring
104	●231371	Pin-Float Hinge				883	★272253	Gasket-Exhaust
116	◆	Gasket-Sealing (Sold in Kit Only)				977	490937	Gasket Set-Carburetor
118	●493765	Valve Kit-Needle						
121	493762	Carburetor Kit						

★ Included in Gasket Set-See Ref. 358.  
 ● Included in Carburetor Kit-Part No. 493762.  
 ◆ Included in Carburetor Gasket Set-Part No. 490937.

# 126700 to 126799

REF. NO.	PART NO.	DESCRIPTION	REF. NO.	PART NO.	DESCRIPTION	REF. NO.	PART NO.	DESCRIPTION
16	493282	Crankshaft <b>Note</b> For Timing Gear Key— Order Part No. <b>94388.</b> <b>493362</b> Crankshaft Used on Type No(s). 0110, 0111, 0115, 0118, 0119, 0120, 0121, 0124, 0125, 0128, 0129, 0130, 0131, 0132, 0133, 0136, 0141, 0142, 0144, 0145, 0148, 0610, 0611, 0615, 0616, 0618, 0620, 0621, 0622, 0623, 3108, 3111, 3114, 3115, 3116, 3117, 3118, 3119, 3121, 3126, 3140, 3191, 3194, 4001, 5001, 5006, 5007, 7001, 7002, 7015, 7050, 7051. <b>493363</b> Crankshaft Used on Type No(s). 0116, 0123, 0137, 0149, 3123, 3149, 5002, 7016. <b>493433</b> Crankshaft Used on Type No(s). 3120, 3125, 3189. <b>493438</b> Crankshaft Used on Type No(s). 4003, 7017. <b>493946</b> Crankshaft Used on Type No(s). 0619, 7026. <b>493947</b> Crankshaft Used on Type No(s). 0117. <b>494984</b> Crankshaft Used on Type No(s). 3192, 3193.			<b>262657</b> Spring—Gov. Used on Type No(s). 0135, 3117. <b>262658</b> Spring—Gov. Used on Type No(s). 0120, 0125, 3112, 3114, 3115, 3116, 3119, 7001, 7002. <b>262659</b> Spring—Gov. Used on Type No(s). 3103, 3111, 3120, 3121, 3125, 3189, 3191, 3192, 3193. <b>262660</b> Spring—Gov. Used on Type No(s). 0129, 0130, 3108, 3118, 3123, 3140, 3149, 3194, 5001, 5002, 5005, 5006, 7015, 7016, 7017, 7025, 7026, 7050, 7051. <b>262661</b> Spring—Gov. Used on Type No(s). 0100, 0101, 0108, 3100, 3101, 3102, 3107. <b>262665</b> Spring—Gov. Used on Type No(s). 0123, 0128, 0142, 0618, 0620, 5001, 5003, 5007. <b>262666</b> Spring—Gov. Used on Type No(s). 0106, 0116, 0118, 0133, 0134, 0602, 3106. <b>262667</b> Spring—Gov. Used on Type No(s). 0131, 0132, 0616, 0622. <b>262678</b> Spring—Gov. Used on Type No(s). 0136, 0144, 0617, 0619, 0621.			<b>493894</b> Bracket— Control (Used Before Code Date 93080200). <b>Note</b> <b>495976</b> Bracket— Control (Manual Friction) (Used After Code Date 93080100). <b>493895</b> Bracket— Control (Manual Friction) (Used Before Code Date 93080200). Used on Type No(s). 0141, 0144, 0148, 0149, 3140, 4001, 4003. <b>495976</b> Bracket— Control (Manual Friction) (Used After Code Date 93080100). <b>493895</b> Bracket— Control (Manual Friction) (Used Before Code Date 93080200 and After Code Date 91072800). <b>493894</b> Bracket— Control (Remote Control) (Used Before Code Date 91072900). Used on Type No(s). 7015, 7016, 7025, 7026, 7050, 7051.
209	262664	Spring—Governor <b>Note</b> <b>262654</b> Spring—Gov. Used on Type No(s). 0119, 0121, 0124. <b>262655</b> Spring—Gov. Used on Type No(s). 0141, 0145, 0148, 0149, 3126, 4001, 4003.	620	495975	Bracket—Control (Remote Control) (Used After Code Date 93080100).	972	494356	Tank—Fuel (1-1/2 Quart, Red) <b>Note</b> <b>494351</b> Tank—Fuel (1 Quart, Black) Used on Type No(s). 0142. <b>494354</b> Tank—Fuel (1-1/2 Quart, Red) Used on Type No(s). 0108, 3107, 3120, 3121, 4001.

★ Included in Gasket Set—See Ref 358.  
 ● Included in Carburetor Kit—Part No.493762.  
 ◆ Included in Carburetor Gasket Set—Part No. 490937.



**126700 to 126799**

REF. NO.	PART NO.	DESCRIPTION	REF. NO.	PART NO.	DESCRIPTION	REF. NO.	PART NO.	DESCRIPTION
	<b>494528</b>	Tank–Fuel (1-1/2 Quart, Black) (Used After Code Date 90092300).		<b>494560</b>	Tank–Fuel (1-1/2 Quart, Green) Used on Type No(s). 3191–01, 3192–01.		<b>495509</b>	Tank–Fuel (1-1/2 Quart, Black) Used on Type No(s). 0131, 0132, 0133, 0134, 0135 0616, 0622.
	<b>494340</b>	Tank–Fuel (1-1/2 Quart, Black) (Used Before Code Date 90092400). Used on Type No(s). 0110, 0111, 0120, 0121, 0123, 0124, 0125, 0129, 0130, 0610, 0611, 0615, 0623, 3111, 3114, 3115, 3116, 3117, 3119, 3123, 3140, 3193, 5001, 7001, 7002.		<b>494528</b>	Tank–Fuel (1-1/2 Quart, Black) (Used After Code Date 93080100).			
				<b>495065</b>	Tank–Fuel (1-1/2 Quart Black) (Used Before Code Date 93080200). Used on Type No(s). 0119, 0141, 0145, 3121, 3126, 3194.			

- ★ Included in Gasket Set–See Ref 358.
- Included in Carburetor Kit–Part No.493762.
- ◆ Included in Carburetor Gasket Set–Part No. 490937.

**2240–17**

**Assemblies include all parts shown in frames.**

**94**