

121800 to 121899

Illustrated Parts List

Model Series

121800 to 121899

TYPE NUMBERS
0106, 0206, 0208,
0214 through 0218,
0220 through 0222,
0224, 0230, 0265, 0404,
0406 through 0419,
0422 through 0448,
0464 through 0471,
0509, 3106, 3212, 3214,
3225, 3228, 3406,
3411 through 3431.

TO FIND
THE CORRECT NUMBER OF THE PART YOU NEED:
FOLLOW THE INSTRUCTIONS BELOW

- A. Refer to Engine Model, Type and Code Number that is stamped on the blower housing of engine. Engine type numbers such as 0123 01 are listed only as 0123 in most instances. The two digits (01 or 02, etc.) to the right of the space may be required for more accurate parts identification in some instances. Select the Illustrated Parts List covering the correct Model Series and Type Number.
- B. Refer to the Illustrations and compare the original part with Illustration. The number next to the illustration is the Reference Number. Assemblies include all parts shown in frames. All parts shown in assembly frames having individual reference numbers can be purchased separately.
- C. After the Reference Number has been identified, refer to the Numerical text, where Reference and Primary Part Number are listed. **THE PRIMARY PART IS USED ON ALL TYPE NUMBERS EXCEPT THOSE TYPE NUMBERS UNDER "NOTE."**
- D. If a "Note" appears below the Primary Part Number, it means that this part differs from the Primary Part for certain types. If your Type number is listed under "Note," order the part referred to at the "Note."
- E. If your Engine Type Number does not appear after any part number listed under "Note," use the Primary Part Number.
- F. For Engine Type Numbers not covered by this book, check other Parts Lists having the same engine model or contact your source of supply.

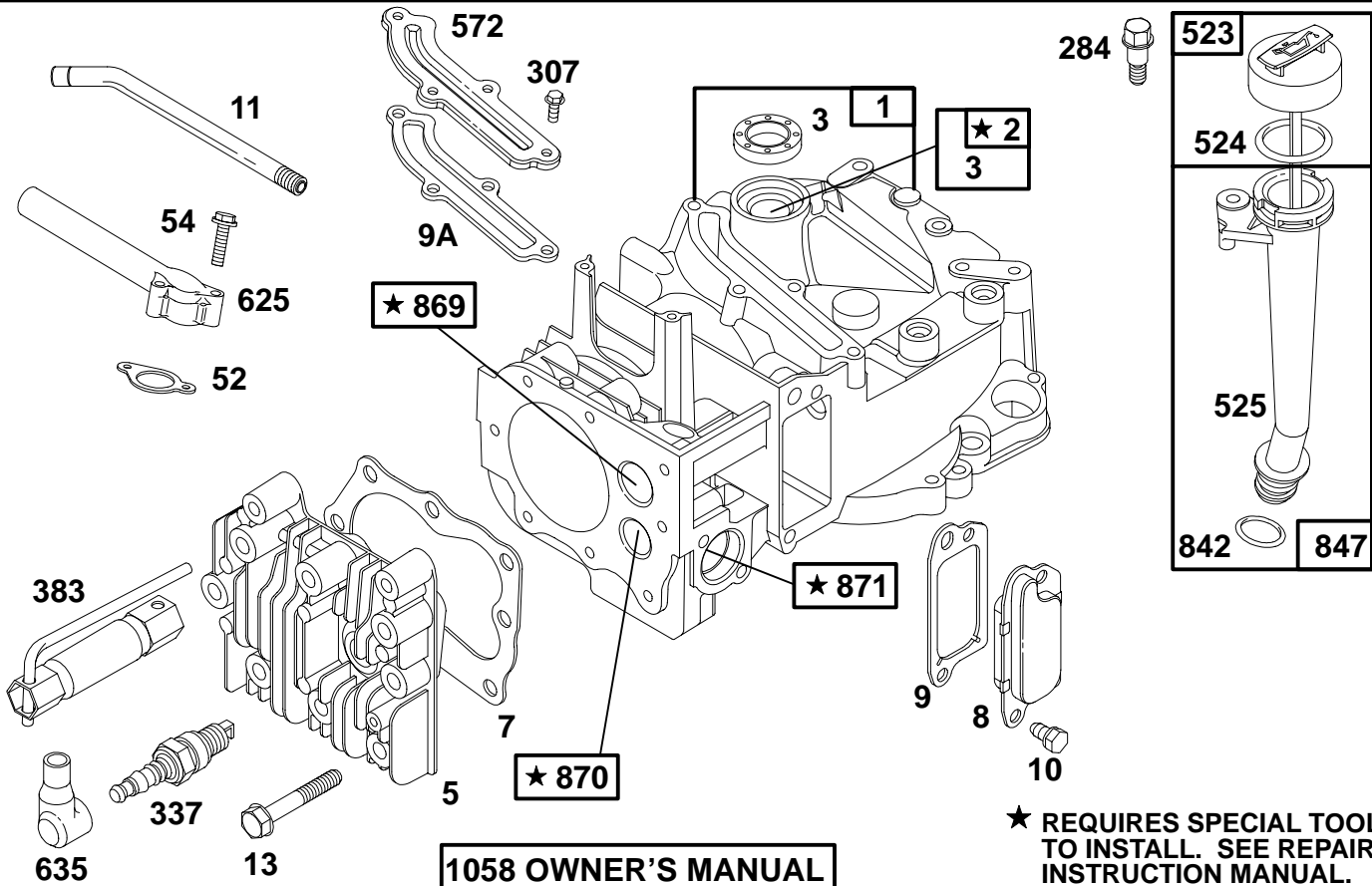
PRINTED IN U.S.A.

COPYRIGHT©

BRIGGS & STRATTON

®

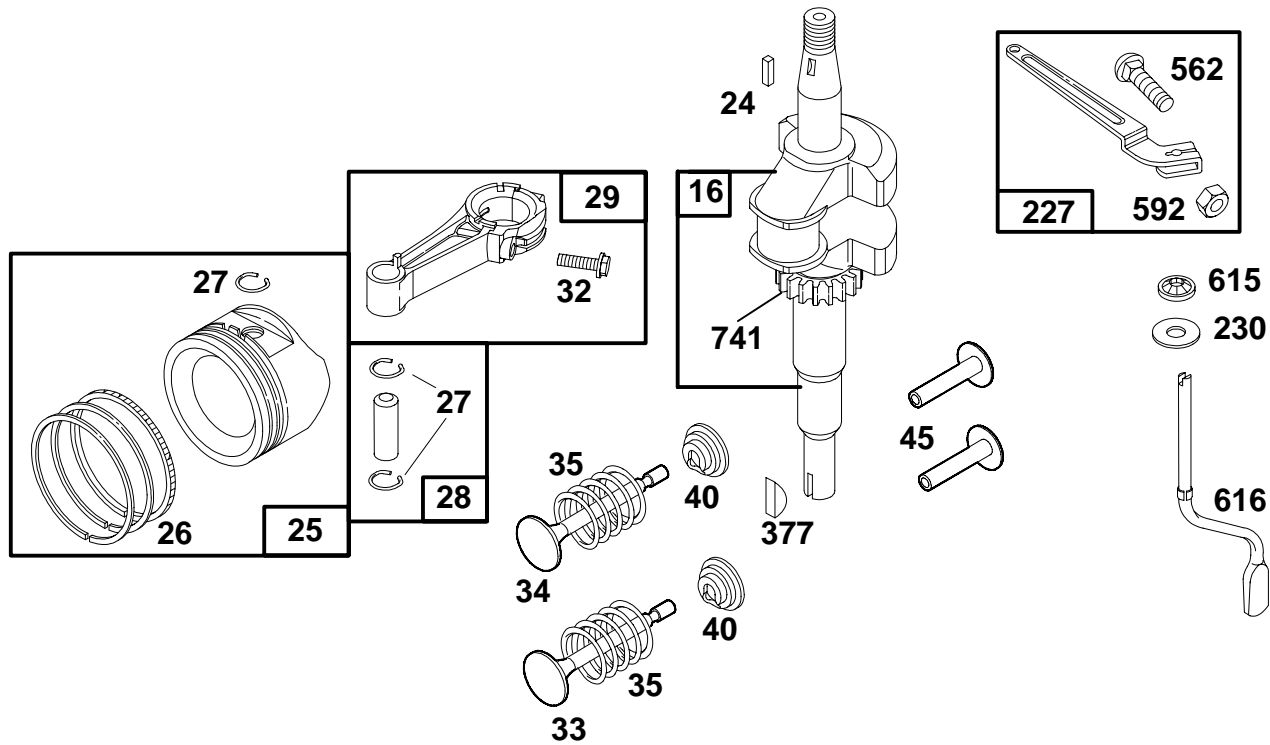
121800 to 121899



1058 OWNER'S MANUAL

REF. NO.	PART NO.	DESCRIPTION	REF. NO.	PART NO.	DESCRIPTION	REF. NO.	PART NO.	DESCRIPTION
1	493260	Cylinder Assembly			Note	572	224328	Baffle-Cylinder
2	293708	Bushing			492167 Plug-Spark	625	492717	Manifold-Intake
3	★299819	Seal-Oil			(1-7/8" High, 48 mm)	635	66538	Boot-Spark Plug
5	213861	Head-Cylinder	383	89838	Wrench-Spark Plug	842	★280966	Seal-O-Ring
7	★272200	Gasket-Cylinder Head	523	495264	Cap-Oil Fill	847	495263	Tube Assy.-Oil Fill
8	494489	Breather Assembly			(Used After Code Date 92072600).			(Used After Code Date 92072600).
9	★272481	Gasket-Breather			Note			Note
9A	★272238	Gasket-Breather			493950 Cap-Oil Fill			493459 Tube Assy.
10	94650	Screw-Breather Mtg.			(Used Before Code Date 92072700).			Oil Fill
11	231685	Tube-Breather			(Used Before Code Date 92072700).			(Used Before Code Date 92072700).
13	94547	Screw-Cylinder Hd.	524	★280393	Seal-Filler Tube	869	213512	Seat-Valve (Intake)
52	★272199	Gasket-Intake Elbow	525	495265	Tube-Oil Filler	870	213513	Seat-Valve (Exhaust)
54	94526	Screw-Hex. Head			(Used After Code Date 92072600).	871	262001	Guide-Exhaust Valve
284	94511	Screw-Hex. Head			Note			Note
307	94515	Screw-Hex. Head			493952 Tube-Oil Filler			63709 Guide-Intake Valve
337	802592	Plug-Spark (Resistor Type) (1-7/8" High, 48 mm)			(Used Before Code Date 92072700).	1058	272262	Owner's Manual

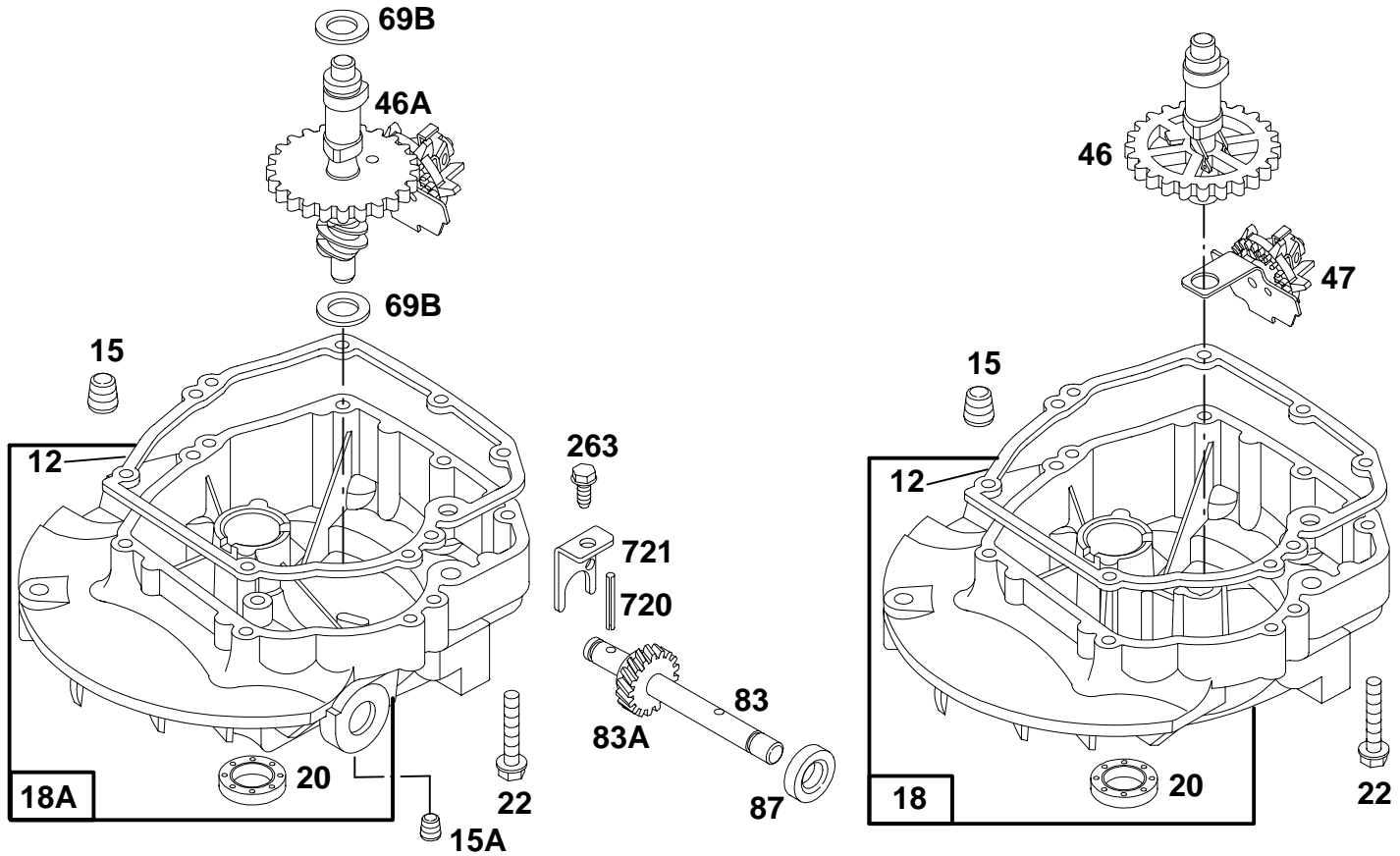
★ Included in Gasket Set-See Ref. 358.
 ● Included in Carburetor Kit-Part No. 493762.
 ◆ Included in Carburetor Gasket Set-Part No. 490937.



REF. NO.	PART NO.	DESCRIPTION	REF. NO.	PART NO.	DESCRIPTION	REF. NO.	PART NO.	DESCRIPTION
16	493282	Crankshaft Note — For Timing Gear Key— Order Part No. 94388. 493362 Crankshaft Used on Type No(s). 0215, 0218, 0220, 0222, 0224, 0230, 0265, 0411, 0415, 0418, 0419, 0423, 0425, 0434, 0435, 0440, 0441, 0442, 0447, 0467, 0470, 0471, 3225. 493363 Crankshaft Used on Type No(s). 0216, 0217, 0408, 0409, 0412, 0416, 0422, 0426, 0428, 0429, 0439, 0444, 0446, 0448, 3411, 3418, 3423, 3424, 3425. 493566 Crankshaft Used on Type No(s). 0432, 3412, 3416.	24	222698	Key—Flywheel	28	298909	Pin—Piston (Standard)
			25	493262	Piston Assy. (Standard)		298908	Pin—Piston (.005" O.S.)
				493385	Piston Assy. (.010" O.S.)	29	490566	Rod—Connecting
				493386	Piston Assy. (.020" O.S.)		490743	Rod—Conn. (.020" Undersize)
				493387	Piston Assy. (.030" O.S.)	32	94699	Screw—Connecting Rod
			26	493261	Ring Set (Standard)	33	262651	Valve—Exhaust
				493388	Ring Set (.010" O.S.)	34	262652	Valve—Intake
				493389	Ring Set (.020" O.S.)	35	262224	Spring—Valve
				493390	Ring Set (.030" O.S.)	40	93312	Retainer—Valve
			27	26026	Lock—Piston Pin	45	262204	Tappet—Valve
						227	492349	Lever Assembly— Governor
						230	67072	Washer—Gov. Crank
						377	94329	Key—Woodruff (For 25 mm Crank- shaft)
						562	92613	Bolt—Governor Lever
						592	231082	Nut—Hex.
						615	94474	Fastener
						616	262578	Crank—Governor
						741	262598	Gear—Timing

★ Included in Gasket Set—See Ref. 358.
● Included in Carburetor Kit—Part No. 493762.
◆ Included in Carburetor Gasket Set—Part No. 490937.

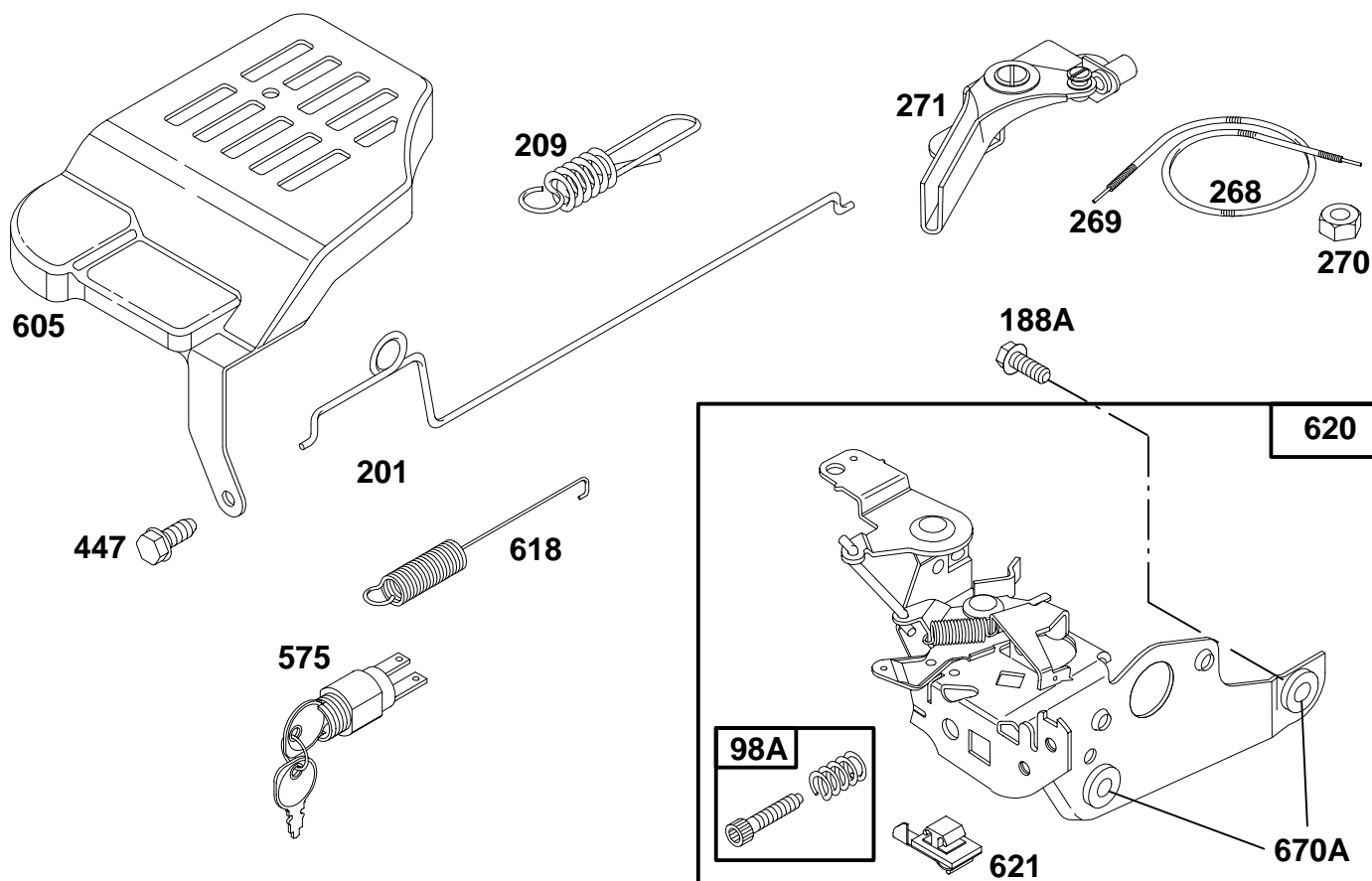
121800 to 121899



REF. NO.	PART NO.	DESCRIPTION	REF. NO.	PART NO.	DESCRIPTION	REF. NO.	PART NO.	DESCRIPTION
12	★272198	Gasket-Crankcase	46A	493741	Gear-Cam (Counterclockwise)			231748 Shaft-Drive Used on Type No(s). 3426, 3431.
15	94613	Plug-Oil Drain			Note			
15A	94470	Plug-Oil Drain (Hex. Socket, 1/16-27 NPTF)			493739 Gear-Cam (Clockwise)	83A	231279	Gear-Drive Note
18	493279	Sump-Engine			Used on Type No(s). 0425.			231278 Gear-Drive (Clockwise)
18A	493365	Sump-Engine	47	493737	Slinger-Oil			Used on Type No(s). 0425.
20	★399781	Seal-Oil	69B	68938	Washer-Thrust	87	391484	Seal-Oil
22	94220	Screw-Hex. Head	83	231759	Shaft-Drive	263	93572	Screw-Hex. Head
		Note			Note	720	93474	Pin-Roll
		94612 Screw-Hex. Head One Used in Hole Nearest Breather.			231671 Shaft-Drive Used on Type No(s). 0220, 0230, 0419, 0423, 0425, 0470, 0471.	721	224249	Stop-Shaft
46	492828	Gear-Cam						

★ Included in Gasket Set-See Ref. 358.
 ● Included in Carburetor Kit-Part No. 493762.
 ◆ Included in Carburetor Gasket Set-Part No. 490937.

121800 to 121899



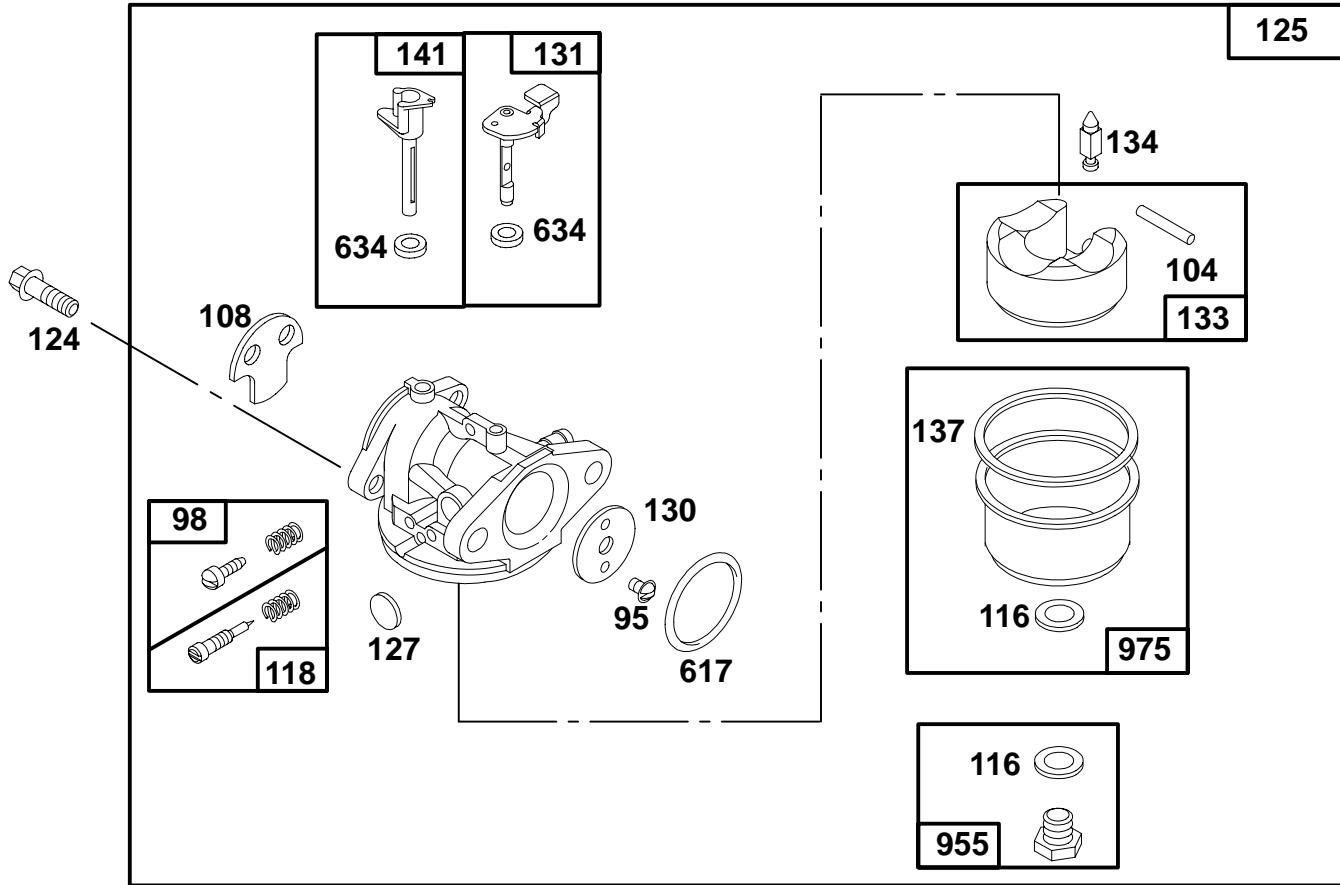
REF. NO.	PART NO.	DESCRIPTION	REF. NO.	PART NO.	DESCRIPTION	REF. NO.	PART NO.	DESCRIPTION
98A	493280	Screw—Speed Adj.			262678 Spring—Gov.	270	63426	Locknut—Casing
188A	94644	Screw—Hex. Hd.			Used on Type No(s). 3212, 3414, 3415, 3426.	271	290568	Lever—Control
201	262579	Link				447	93801	Screw—Hex. Hd.
209	262666	Spring—Governor				575	396291	Switch—Starting
		Note	268	65616	Casing—Wire			Include(s):
		262654 Spring—Gov.			(72" Long)			392832 Key Set
		Used on Type No(s). 0444.			66986 Casing—Wire	605	224509	Bracket—Support
		262656 Spring—Gov.			(48" Long)	618	262749	Spring
		Used on Type No(s). 0433, 0439.			If Longer Casing is Needed, Specify Length in Inches; if Shorter Casing is Needed Order and Cut to Required Length.	620	495975	Bracket—Control (Used After Code Date 93080100).
		262664 Spring—Gov.						Note
		Used on Type No(s). 0222, 0407, 0418, 0425.	269	26633	Wire—Control			493894 Bracket— Control (Used Before Code Date 93080200).
		262665 Spring—Gov.			(78" Long)	621	396847	Switch—Stop
		Used on Type No(s). 0408, 0409, 0428, 0432, 3411, 3412, 3416, 3418, 3423, 3424, 3425.			26099 Wire—Control	670A	★493823	Spacer (Includes 2)
		262667 Spring—Gov.			(54" Long)			
		Used on Type No(s). 3413.			If Longer Wire is Needed, Specify Length in Inches; if Shorter Wire is Needed Order and Cut to Required Length.			

- ★ Included in Gasket Set—See Ref. 358.
- Included in Carburetor Kit—Part No. 493762.
- ◆ Included in Carburetor Gasket Set—Part No. 490937.

2430-5

Assemblies include all parts shown in frames.

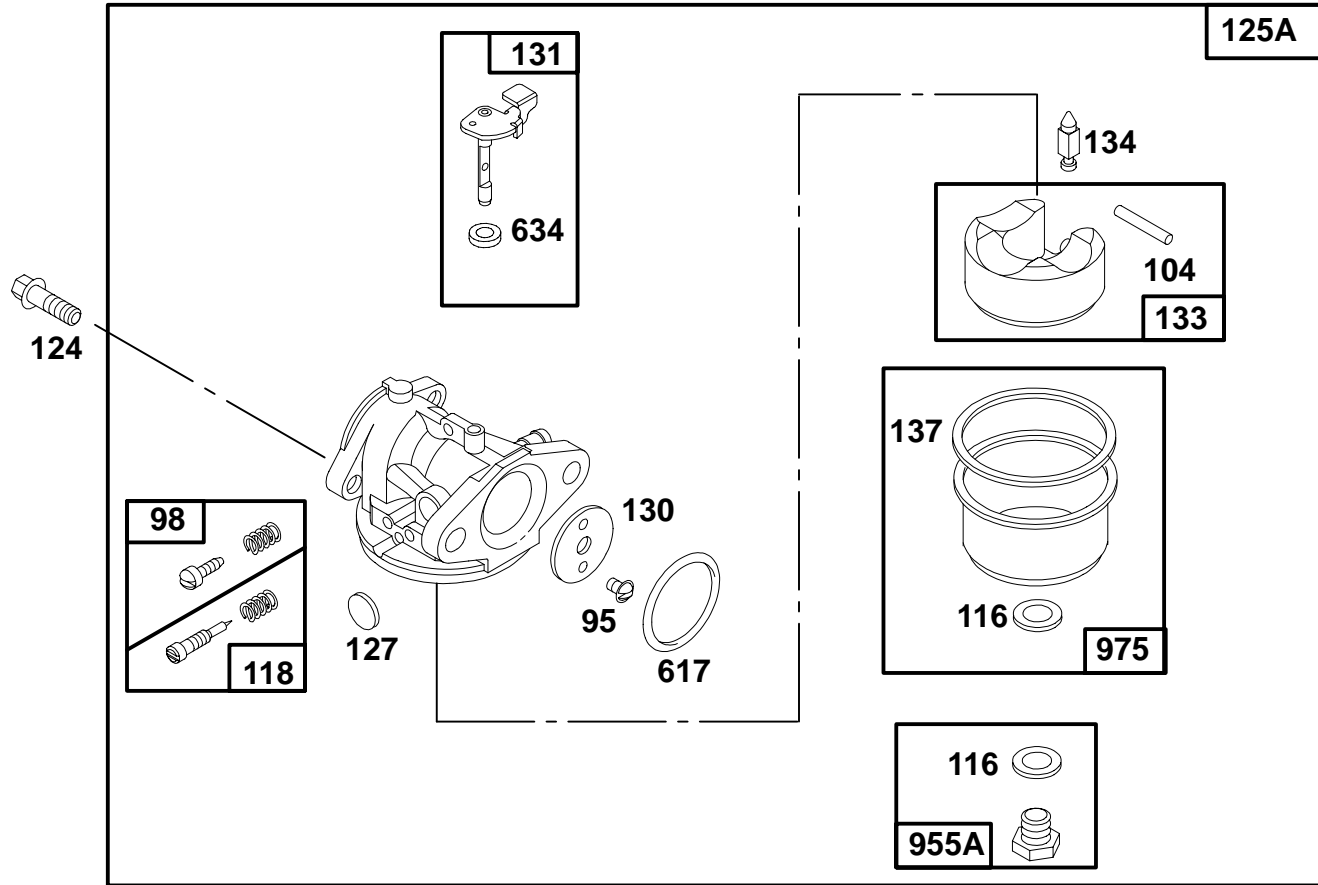
121800 to 121899



REF. NO.	PART NO.	DESCRIPTION	REF. NO.	PART NO.	DESCRIPTION	REF. NO.	PART NO.	DESCRIPTION
95	94098	Screw—Round Head	127	●	Plug—Welch (Sold in Kit Only)			<p align="center">Note</p> <p>496063 Screw—Fuel Bowl (Standard) OR 494870 Screw—Fuel Bowl (For High Altitude) (Used Before Code Date 93080200). Used on Type No(s). 0208, 0404, 0464, 0509.</p> <p>975 493640 Bowl—Float</p>
98	398185	Screw—Idle Adjustment	130	223470	Valve—Throttle			
104	●231371	Pin—Float Hinge	131	493267	Shaft—Throttle			
108	223471	Valve—Choke	133	398187	Float—Carburetor			
116	◆◆	Gasket—Sealing (Sold in Kit Only)	134	●398188	Valve—Needle (Includes Seat)			
118	●493765	Valve Kit—Needle	137	◆◆	Gasket—Float Bowl (Sold in Kit Only)			
124	94525	Screw—Carburetor Mounting	141	494218	Shaft—Choke			
125	494216	Carburetor	617	◆◆270344	Seal—Fuel Intake Tube			
		Note	634	◆◆	Washer—Shaft (Sold in Kit Only)			
		493627 Carburetor (For Primer) (Used Before Code Date 93080200). Used on Type No(s). 0208, 0404, 0464, 0509.	955	493637	Screw—Fuel Bowl (Standard) OR 494870 Screw—Fuel Bowl (For High Altitude)			

★ Included in Gasket Set—See Ref. 358.
● Included in Carburetor Kit—Part No. 493762.
◆ Included in Carburetor Gasket Set—Part No. 490937.

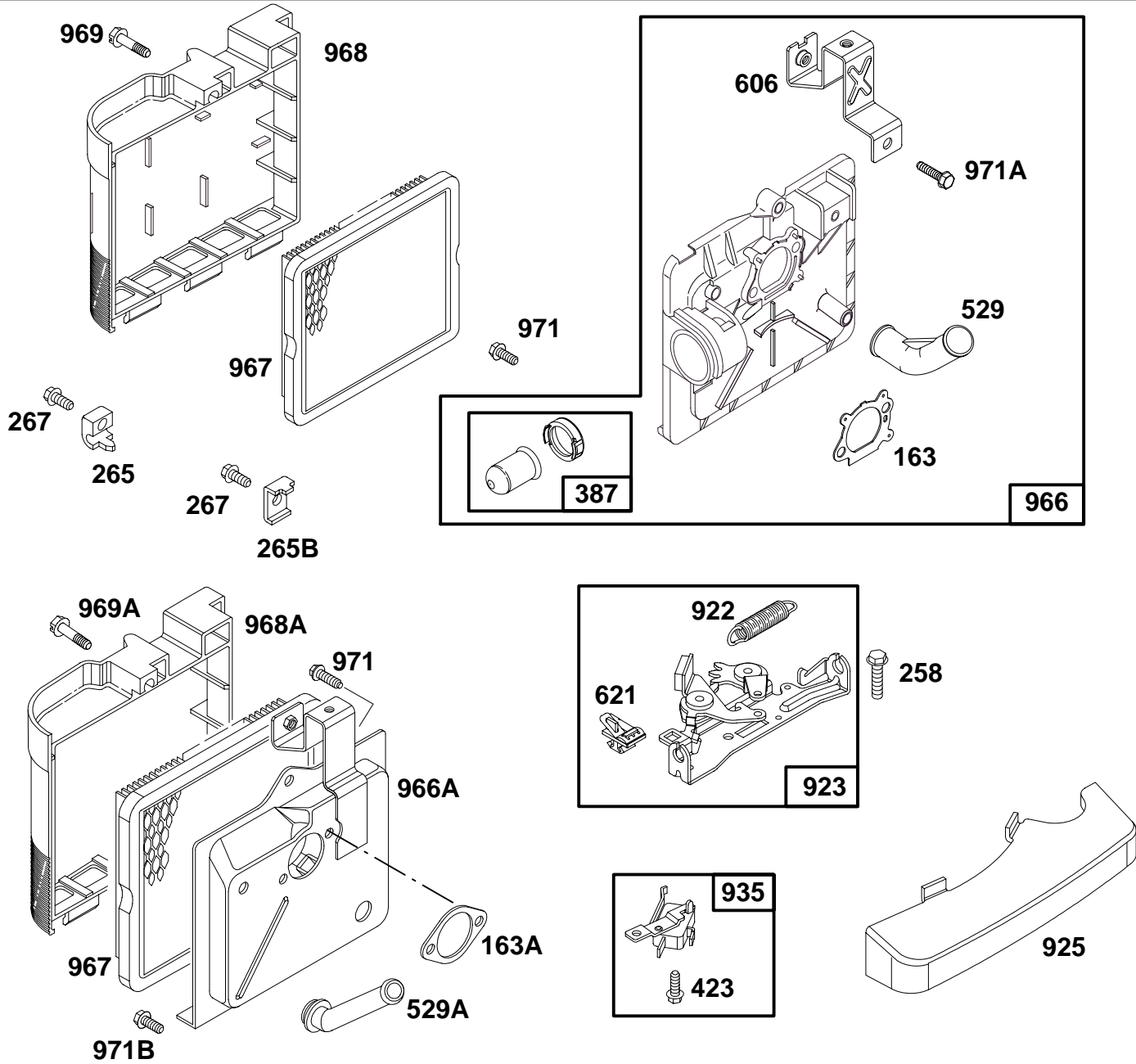
121800 to 121899



REF. NO.	PART NO.	DESCRIPTION	REF. NO.	PART NO.	DESCRIPTION	REF. NO.	PART NO.	DESCRIPTION
95	94098	Screw-Round Head	127	●	Plug-Welch (Sold in Kit Only)	617	●●270344	Seal-Fuel Intake Tube
98	398185	Screw-Idle Adjustment	130	223470	Valve-Throttle	634	●●	Washer-Shaft (Sold in Kit Only)
104	●231371	Pin-Float Hinge	131	493267	Shaft-Throttle	955A	493637	Screw-Fuel Bowl (Standard)
116	●◆	Gasket-Sealing (Sold in Kit Only)	133	398187	Float-Carburetor	Note		
118	●493765	Valve Kit-Needle	134	●398188	Valve-Needle (Includes Seat)	494870		Screw-Fuel Bowl (For High Altitude)
124	94525	Screw-Carburetor Mtg.	137	●◆	Gasket-Float Bowl (Sold in Kit Only)	975	493640	Bowl-Float
125	496114	Carburetor (For Primer) (Used After Code Date 93080100).						

★ Included in Gasket Set-See Ref. 358.
 ● Included in Carburetor Kit-Part No. 493762.
 ◆ Included in Carburetor Gasket Set-Part No. 490937.

121800 to 121899

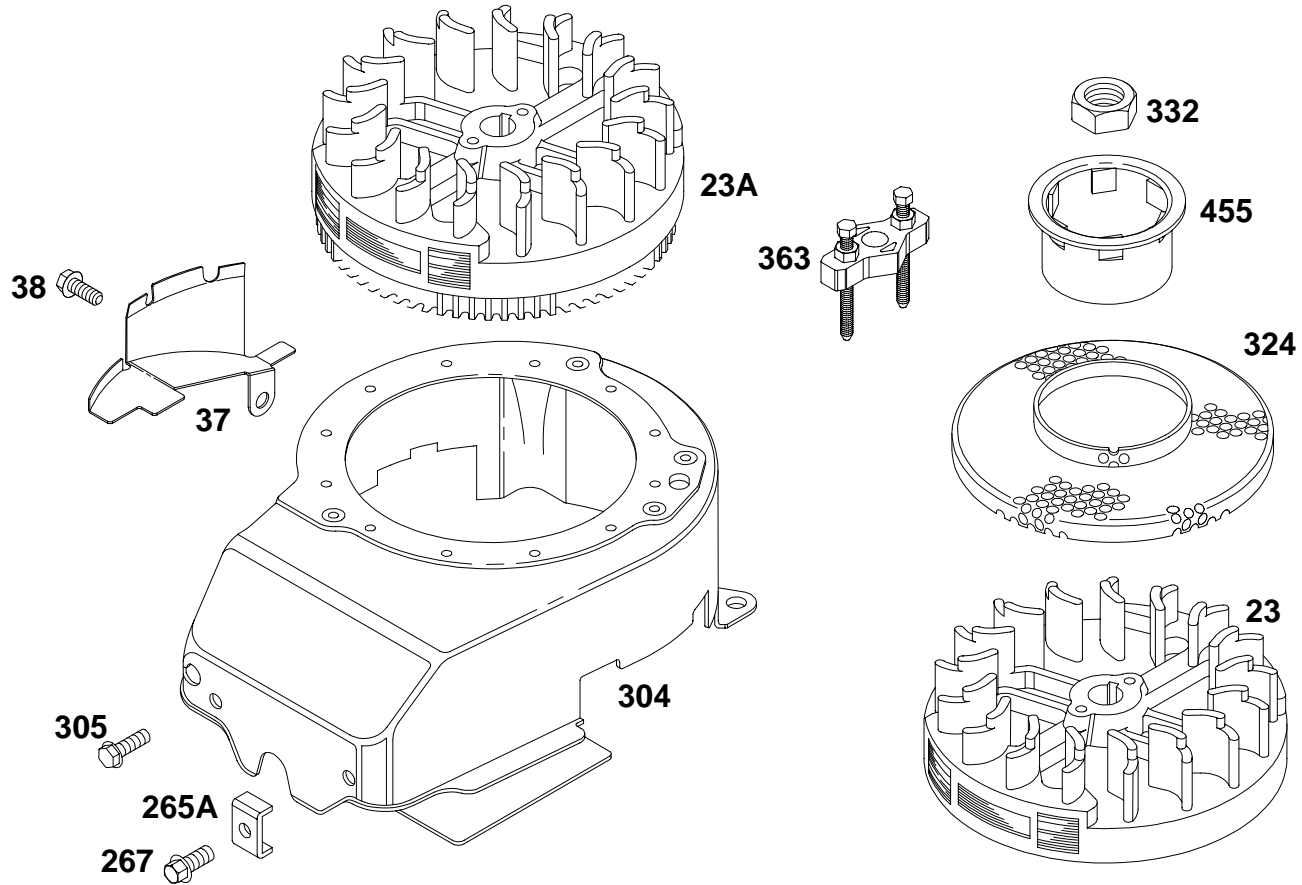


REF. NO.	PART NO.	DESCRIPTION	REF. NO.	PART NO.	DESCRIPTION	REF. NO.	PART NO.	DESCRIPTION
163	★272653	Gasket–Air Cleaner	922	262640	Spring–Brake	966A	494735	Base–Air Cleaner (Metal)
163A	★272296	Gasket–Air Cleaner	923	493442	Brake Assembly			(Used Before Code Date 93080200).
258	94512	Screw–Hex. Head	925	281145	Cover–Linkage	967	491588	Filter–Air
265	213146	Clamp–Casing	935	398758	Switch–Interlock	968	281340	Cover–Air Cleaner
265B	221535	Clamp–Casing	966	496116	Base–Air Cleaner (Primer Style)	968A	281069	Cover–Air Cleaner
267	94204	Screw–Clamp Mtg.			(Used After Code Date 93080100).	969	94120	Screw–Cover Mtg.
387	496115	Primer–Carburetor				969A	94173	Screw–Cover Mtg.
423	93758	Screw–Hex. Head				971	94121	Screw–Air Cleaner
529	281299	Grommet				971A	94749	Screw–Air Cleaner
529A	280943	Grommet				971B	94269	Screw–Air Cleaner
606	224815	Strap–Bracket						
621	396847	Switch–Stop						

- ★ Included in Gasket Set–See Ref. 358.
- Included in Carburetor Kit–Part No. 493762.
- ◆ Included in Carburetor Gasket Set–Part No. 490937.

2430–8

Assemblies include all parts shown in frames.



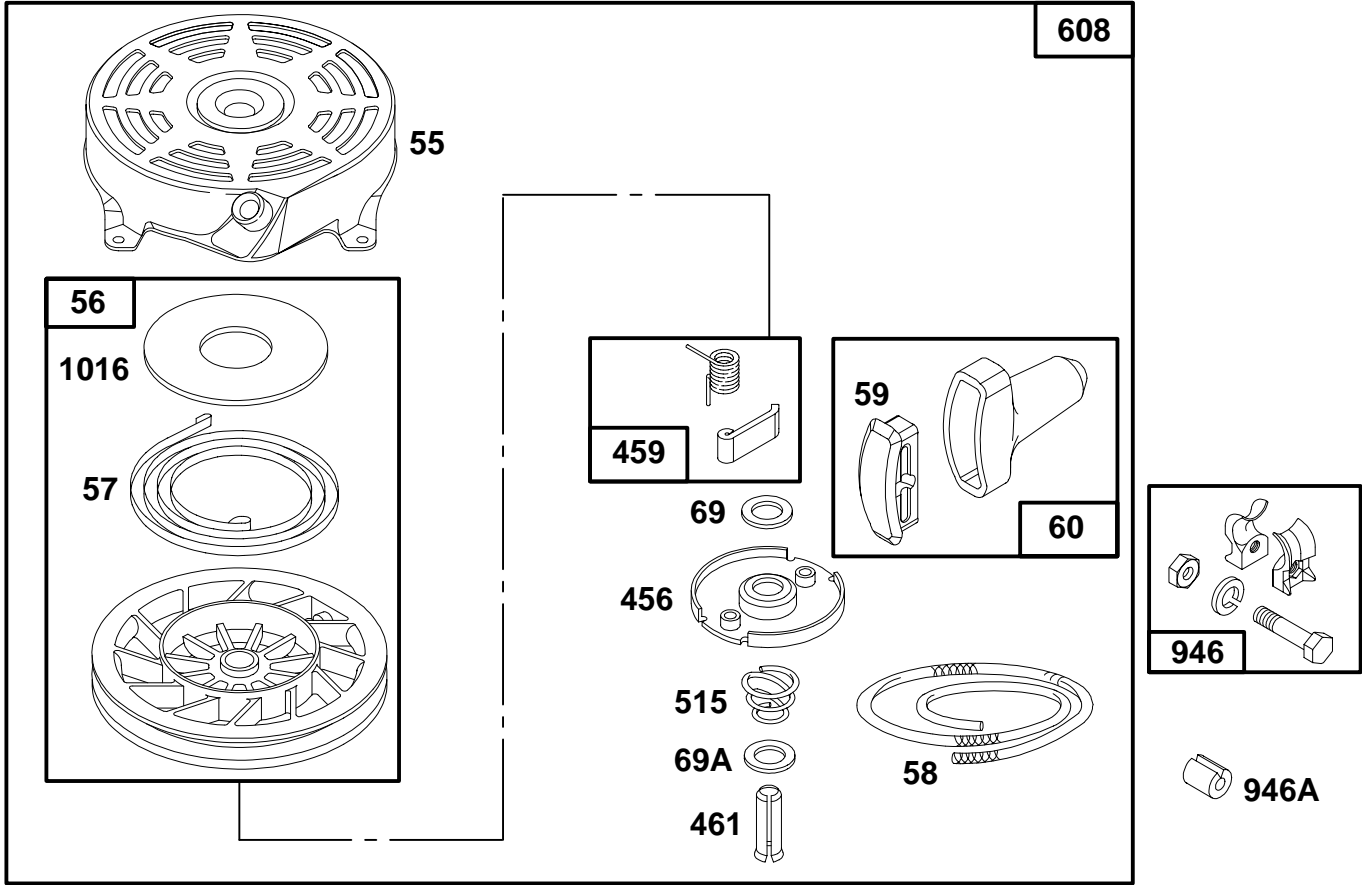
REF. NO.	PART NO.	DESCRIPTION	REF. NO.	PART NO.	DESCRIPTION	REF. NO.	PART NO.	DESCRIPTION
23	492177	Flywheel	265A	22372	Clamp-Casing	305	94513	Screw-Sem
23A	492175	Flywheel	267	94204	Screw-Clamp Mtg.	324	224251	Screen-Rotating
		Note	304	493294	Housing-Blower	332	92284	Nut-Flywheel
		492893 Flywheel			Used on Engines	363	19069	Flywheel Puller
		Used on Type No(s).			without Band Brake.	455	224250	Cup-Flywheel
		0217, 0425, 0433,			Note			
		0439, 0444, 0446,			493293 Housing-			
		0448.			Blower			
37	224511	Guard-Flywheel			Used on Engines with			
38	94608	Screw-Hex. Hd.			Band Brake.			

- ★ Included in Gasket Set-See Ref. 358.
- Included in Carburetor Kit-Part No. 493762.
- ◆ Included in Carburetor Gasket Set-Part No. 490937.

2430-9

Assemblies include all parts shown in frames.

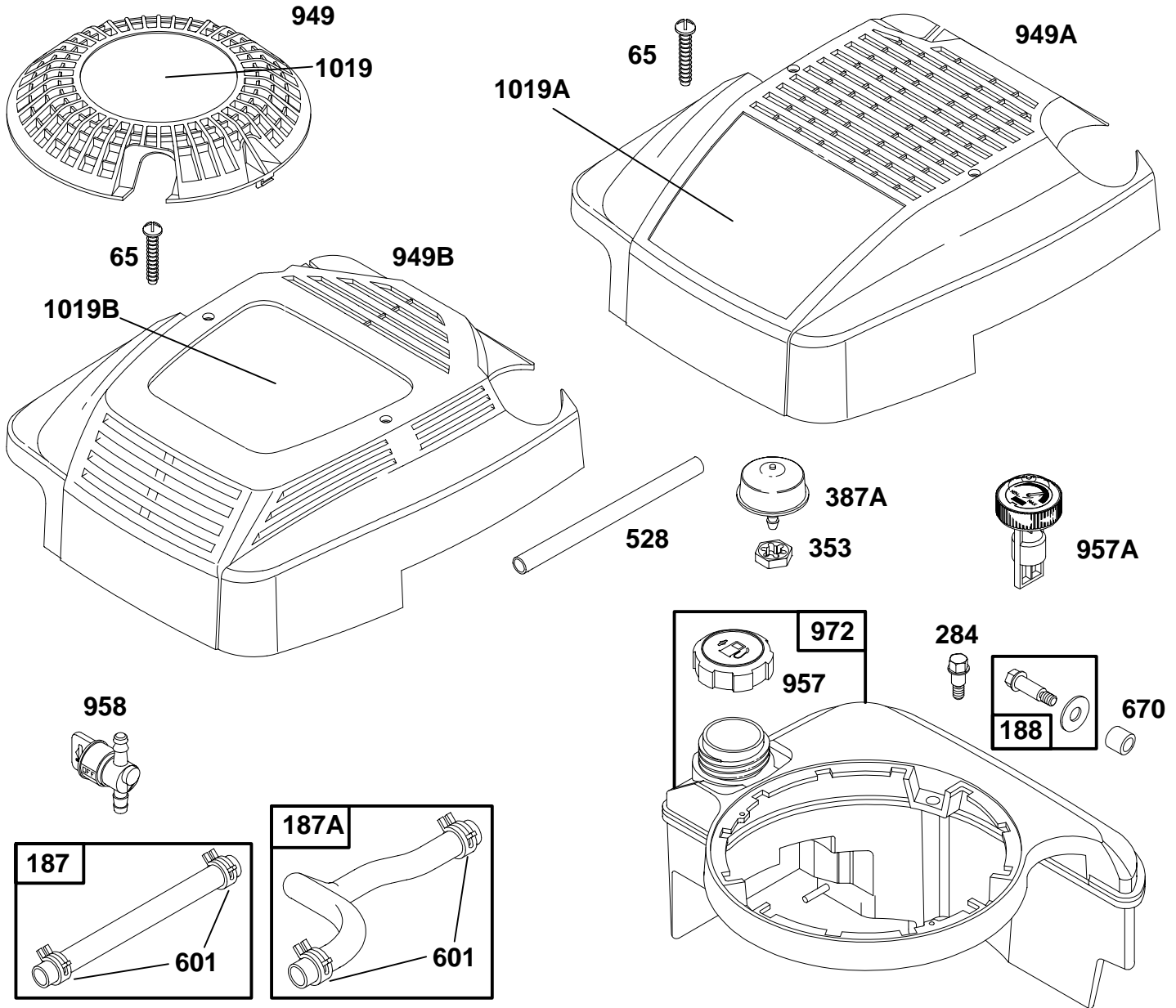
121800 to 121899



REF. NO.	PART NO.	DESCRIPTION	REF. NO.	PART NO.	DESCRIPTION	REF. NO.	PART NO.	DESCRIPTION
55	492831	Housing—Rewind Starter	60	393152	Grip—Starter Rope	608	493295	Starter—Rewind
56	493824	Pulley—Starter	69	280973	Washer—Spring			Include(s):
57	262594	Spring—Rewind Starter	69A	224322	Washer—Flat			94128 Screw—Hex. Hd
58	280399	Rope—Starter (Cut To Suit)	456	224321	Retainer—Spring			92987 Nut—Hex.
59	396892	Insert—Handle	459	492833	Pawl—Ratchet	946	396526	Guide—Rope
			461	262626	Pin—Shaft	946A	223294	Stop—Rope
			515	262625	Spring—Retainer	1016	224278	Cover—Pulley

★ Included in Gasket Set—See Ref. 358.
 ● Included in Carburetor Kit—Part No. 493762.
 ◆ Included in Carburetor Gasket Set—Part No. 490937.

121800 to 121899



REF. NO.	PART NO.	DESCRIPTION	REF. NO.	PART NO.	DESCRIPTION	REF. NO.	PART NO.	DESCRIPTION
65	94696	Screw-Guard Mtg.	601	93807	Clamp-Hose (Black)	957	397974	Cap-Fuel Tank
187	492790	Line-Fuel (Cut to Suit)			Note	957A	494277	Cap-Fuel Tank
187A	492791	Line-Fuel			93053	493960	Valve-Shut-Off	
188	398540	Screw-Tank Mounting	670	280512	Spacer	958	495224	Tank-Fuel (1.6 Quart, Black)
284	94511	Screw-Hex. Head	949	281136	Guard-Finger	972		
353	94581	Washer-Lock	949A	497233	Guard-Finger	1019	494256	Label Kit
387A	394281	Primer-Carburetor	949B	496642	Guard-Finger	1019A	495354	Label Kit
528	399254	Hose-Fuel				1019B	496658	Label Kit

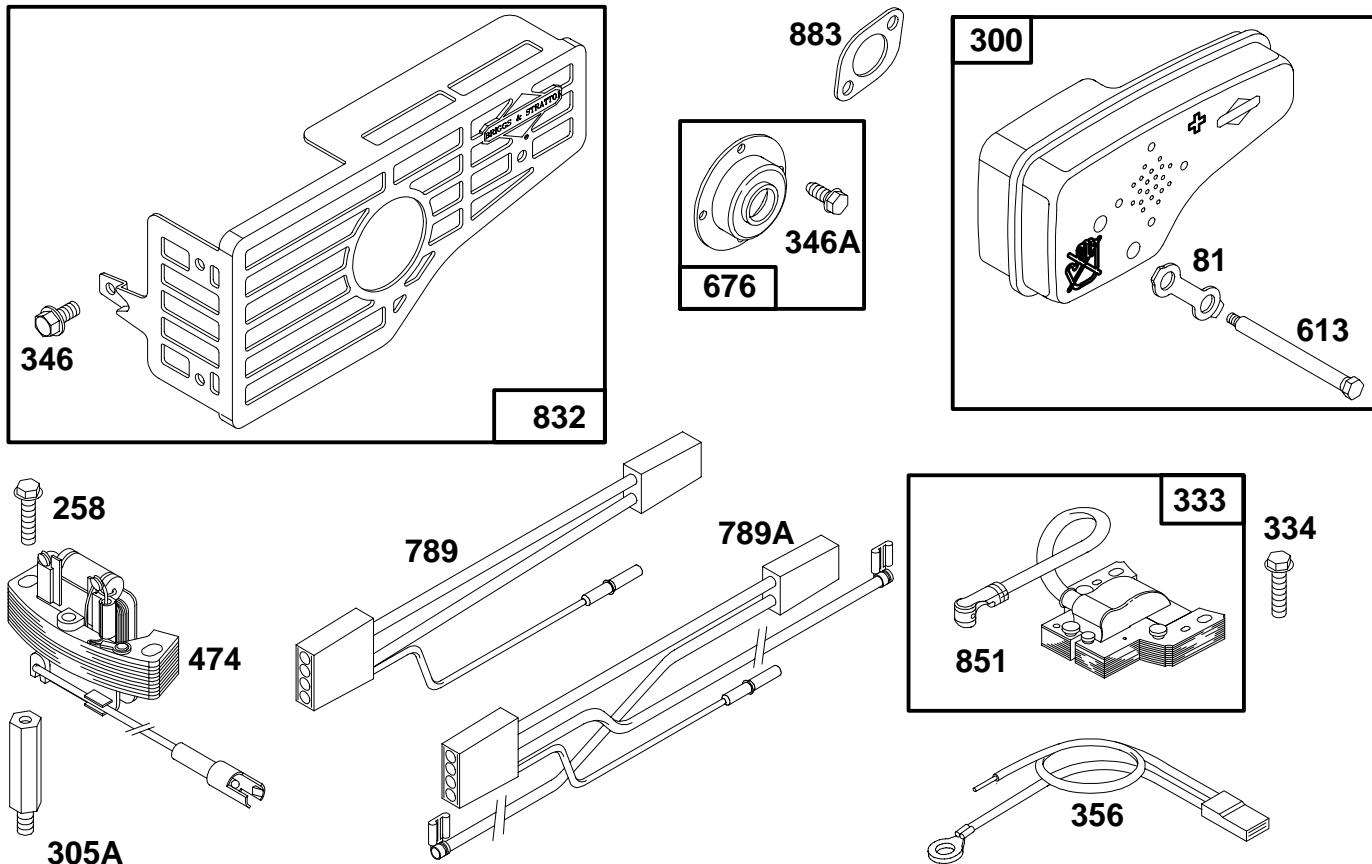
- ★ Included in Gasket Set-See Ref. 358.
- Included in Carburetor Kit-Part No. 493762.
- ◆ Included in Carburetor Gasket Set-Part No. 490937.

2430-11

Assemblies include all parts shown in frames.

94

121800 to 121899



REF. NO.	PART NO.	DESCRIPTION	REF. NO.	PART NO.	DESCRIPTION	REF. NO.	PART NO.	DESCRIPTION
81	223664	Lock-Muffler Screw	356	398808	Wire-Stop	789	493379	Harness-Wiring
258	94512	Screw-Hex. Head			Note			Used on Engines
300	490547	Muffler-Exhaust			398708	Wire-Stop		without Band Brake.
305A	94510	Stud-Alternator Mtg.						
333	802574	Armature-Magneto						
334	93381	Screw-Sem.	474	492841	Alternator	789A	493380	Harness-Wiring
346	94602	Screw-Hex. Hd.	613	94231	Screw-Muffler Mtg.			Used on Engines with
346A	93705	Screw-Hex. Hd.	676	397931	Deflector-Muffler			Band Brake.
						832	494224	Guard-Muffler
						851	221798	Terminal-Cable
						883	★272253	Gasket-Muffler

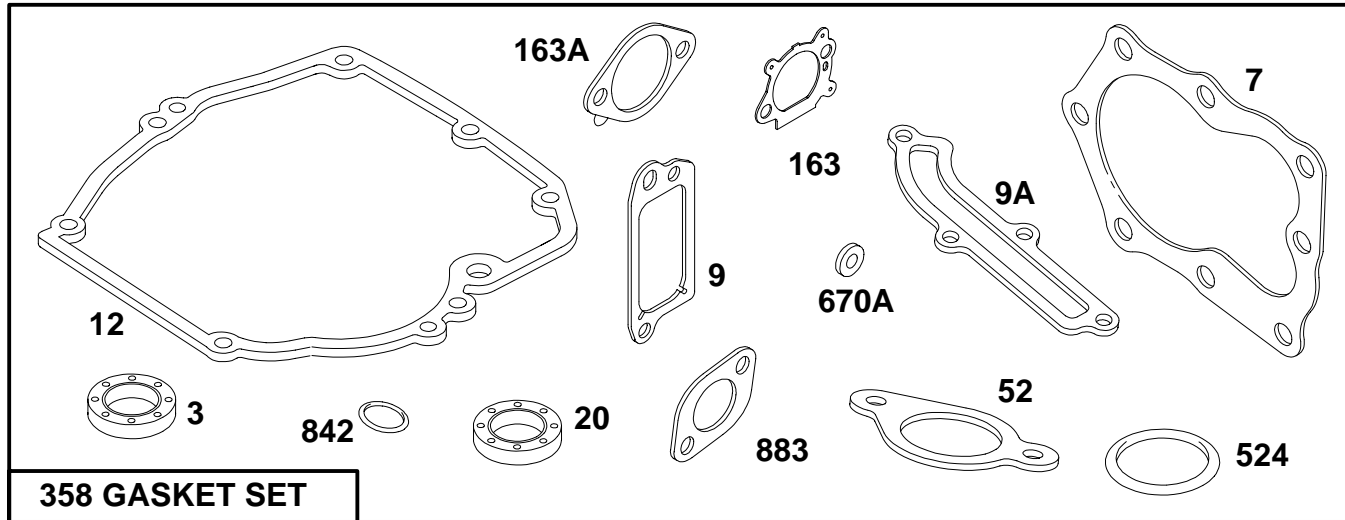
- ★ Included in Gasket Set-See Ref. 358.
- Included in Carburetor Kit-Part No. 493762.
- ◆ Included in Carburetor Gasket Set-Part No. 490937.

2430-12

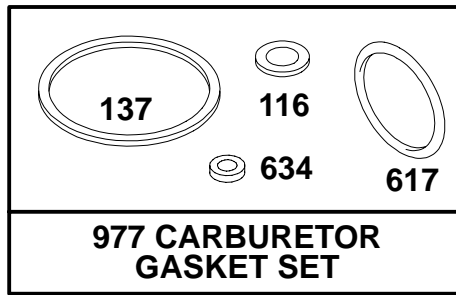
Assemblies include all parts shown in frames.

94

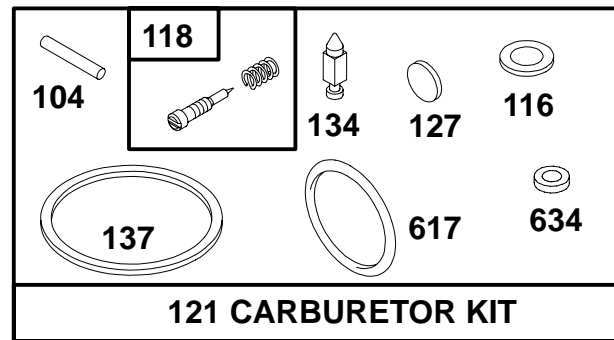
121800 to 121899



358 GASKET SET



977 CARBURETOR GASKET SET

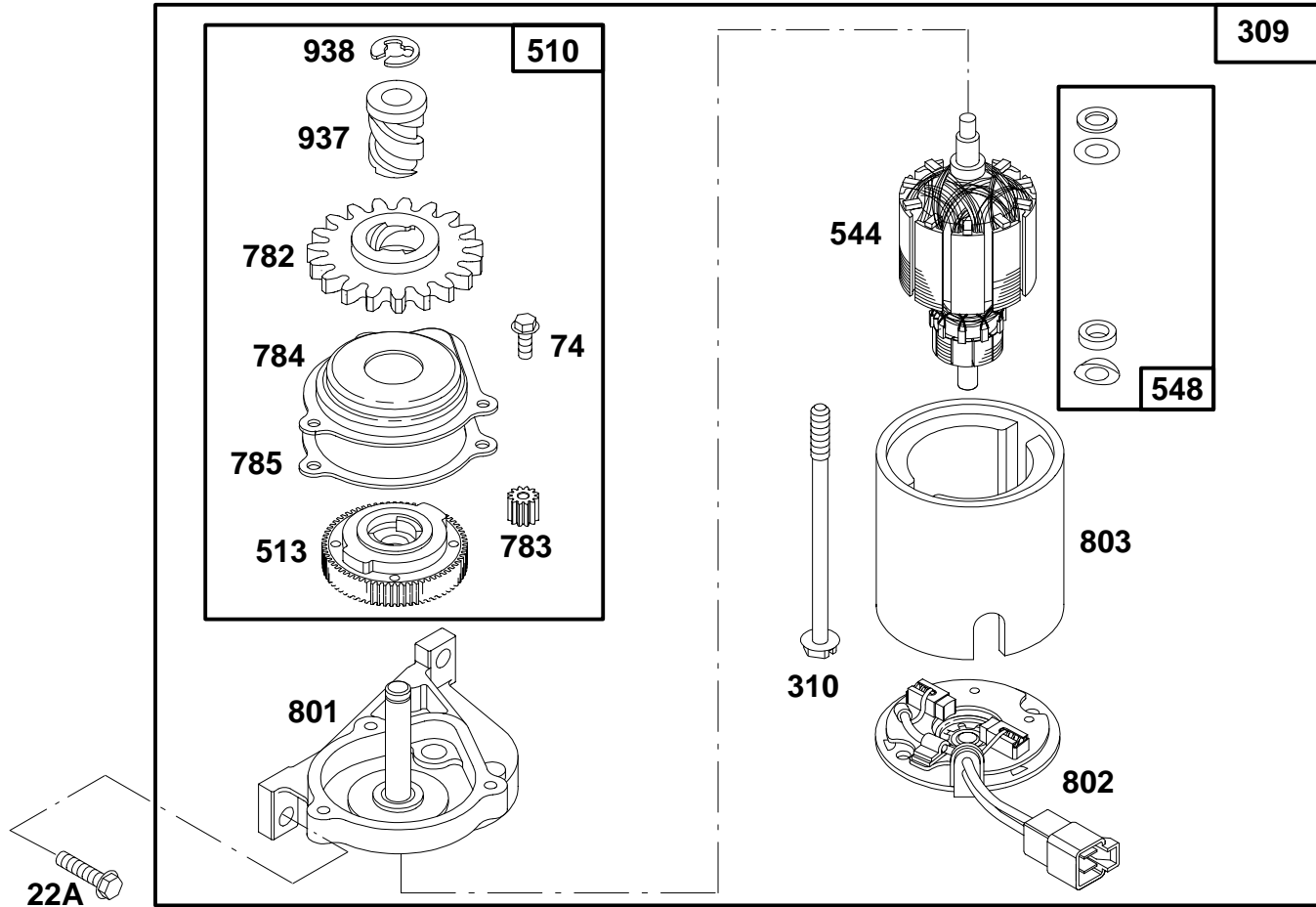


121 CARBURETOR KIT

REF. NO.	PART NO.	DESCRIPTION	REF. NO.	PART NO.	DESCRIPTION	REF. NO.	PART NO.	DESCRIPTION
3	★299819	Seal-Oil	134	●398188	Valve-Needle (Includes Seat)	524	★280393	Seal-Filler Tube
7	★272200	Gasket-Cylinder Head	137	◆	Gasket-Float Bowl (Sold in Kit Only)	617	◆270344	Seal-Fuel Intake Tube
9	★272481	Gasket-Breather	163	★272653	Gasket-Air Cleaner	634	◆	Washer-Shaft (Sold in Kit Only)
9A	★272238	Gasket-Breather	163A	★272296	Gasket-Air Cleaner	670A	★493823	Spacer (Includes 2)
12	★272198	Gasket-Crankcase	358	496117	Gasket Set (Used After Code Date 93080100).	842	★280966	Seal-Cap
20	★399781	Seal-Oil	<p style="text-align: center;">————— Note —————</p> <p>493263 Gasket Set (Used Before Code Date 93080200).</p>			883	★272253	Gasket-Exhaust Pipe
52	★272199	Gasket-Intake Elbow				977	490937	Gasket Set-Carburetor
104	●231371	Pin-Float Hinge						
116	◆	Gasket-Sealing (Sold in Kit Only)						
118	●493765	Valve Kit-Needle						
121	493762	Carburetor Kit						
127	●	Plug-Welch (Sold in Kit Only)						

★ Included in Gasket Set-See Ref. 358.
 ● Included in Carburetor Kit-Part No. 493762.
 ◆ Included in Carburetor Gasket Set-Part No. 490937.

121800 to 121899



REF. NO.	PART NO.	DESCRIPTION	REF. NO.	PART NO.	DESCRIPTION	REF. NO.	PART NO.	DESCRIPTION
22A	94268	Screw-Hex. Head	544	492921	Armature-Starter	801	492335	Drive-Cap
74	93490	Screw-Hex. Head	548	492919	Washer Set	802	492922	Cap-End
309	494233	Motor-Starter	782	281127	Gear-Starter	803	492920	Housing-Starter
310	94051	Bolt-Thru	783	261606	Gear-Starter	937	281125	Spline-Starter
510	494147	Drive-Starter	784	224262	Cover-Gear	938	93941	Retainer-Lock
513	394815	Clutch-Drive	785	272201	Gasket-Cover			

- ★ Included in Gasket Set-See Ref. 358.
- Included in Carburetor Kit-Part No. 493762.
- ◆ Included in Carburetor Gasket Set-Part No. 490937.

2430-14

Assemblies include all parts shown in frames.

94