

**121600 to 121699**

# Illustrated Parts List

## Model Series

### 121600 to 121699

## TYPE NUMBERS

0015, 0016, 0018,  
0019, 0021, 0022,  
0025, 0026, 0030,  
0045, 0050, 0051,  
0058, 0060, 0061,  
0100, 0101, 0105,  
0115, 0117, 0118,  
0119, 0120, 0121,  
0122, 0133, 0135,  
0136, 0137, 0142,  
0149, 0150, 0152,  
0153, 0154, 0155,

## TYPE NUMBERS

0163, 0165, 0166,  
0167, 0168, 0169,  
0171, 0172, 0173,  
0174, 0175, 0182,  
0183, 0184, 0185,  
0186, 0187, 0188,  
0189, 0190, 0191,  
0193, 0194, 0195,  
0197, 0198, 0199,  
0200 through 0209,  
0211, 0215,  
0217 through 0228,  
0234 through 0266.

**TO FIND**

**THE CORRECT NUMBER OF THE PART YOU NEED:  
FOLLOW THE INSTRUCTIONS BELOW**

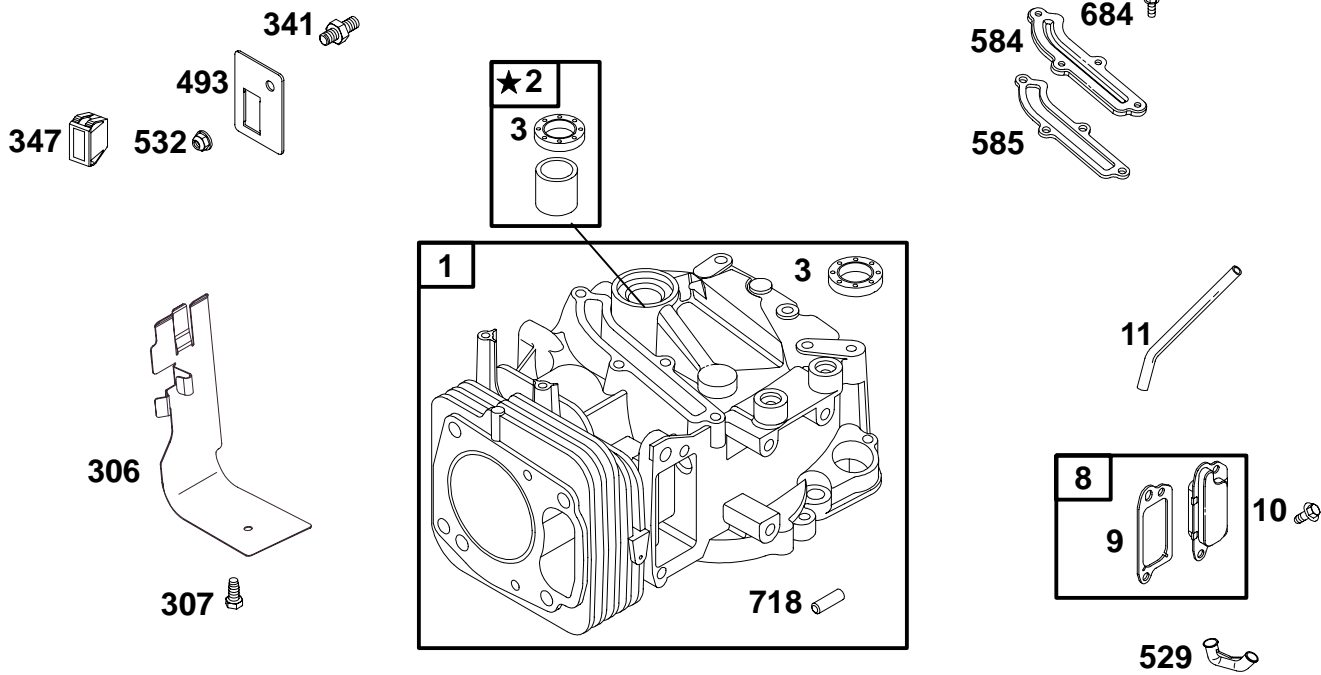
- A. Refer to Engine Model, Type and Code Number that is stamped on the blower housing of engine. Engine type numbers such as 0123 01 are listed only as 0123 in most instances. The two digits (01 or 02, etc.) to the right of the space may be required for more accurate parts identification in some instances. Select the Illustrated Parts List covering the correct Model Series and Type Number.
- B. Refer to the Illustrations and compare the original part with Illustration. The number next to the illustration is the Reference Number. Assemblies include all parts shown in frames. All parts shown in assembly frames having individual reference numbers can be purchased separately.
- C. After the Reference Number has been identified, refer to the Numerical text, where Reference and Primary Part Number are listed. **THE PRIMARY PART IS USED ON ALL TYPE NUMBERS EXCEPT THOSE TYPE NUMBERS UNDER "NOTE."**
- D. If a "Note" appears below the Primary Part Number, it means that this part differs from the Primary Part for certain types. If your Type number is listed under "Note," order the part referred to at the "Note."
- E. If your Engine Type Number does not appear after any part number listed under "Note," use the Primary Part Number.
- F. For Engine Type Numbers not covered by this book, check other Parts Lists having the same engine model or contact your source of supply.

PRINTED IN U.S.A.



COPYRIGHT by BRIGGS & STRATTON CORPORATION  
All rights reserved. No part of this material may be reproduced or transmitted, in any form or by any means, electronic or mechanical, including photocopying, recording or by any information storage and retrieval system, without permission in writing from Briggs & Stratton Corporation.

121600 to 121699



★ REQUIRES SPECIAL TOOLS TO INSTALL. SEE REPAIR INSTRUCTION MANUAL.

1058 OWNER'S MANUAL

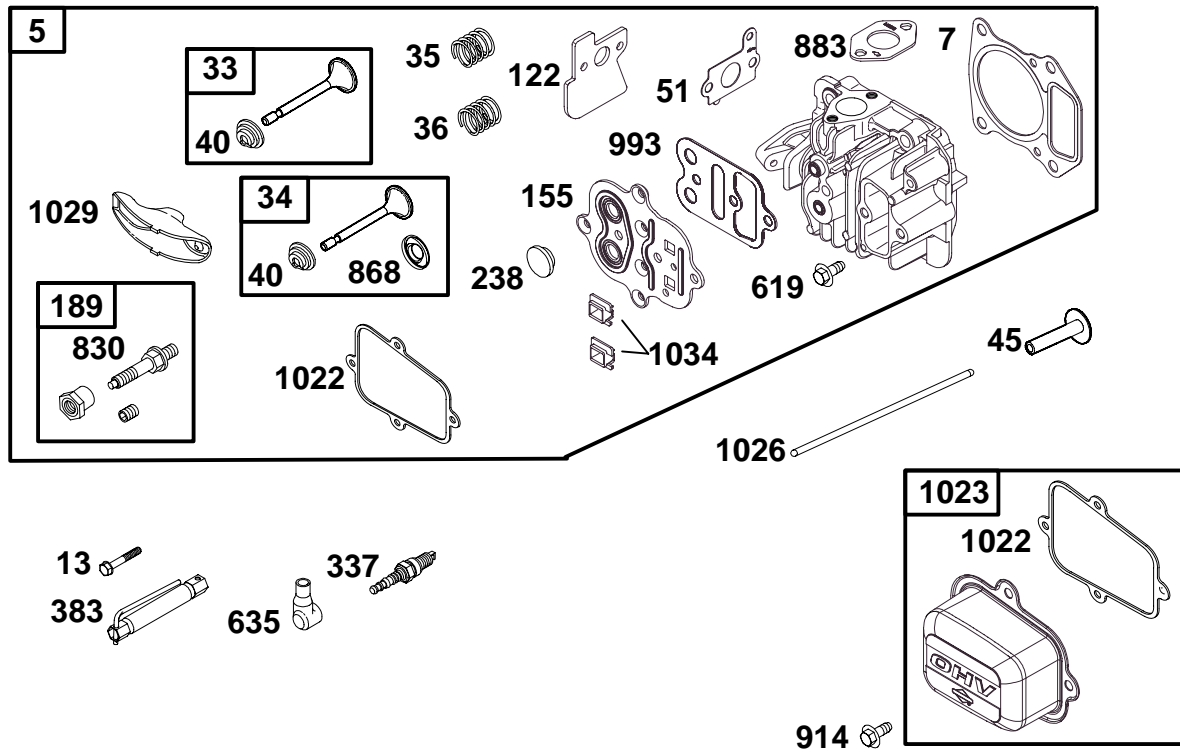
1019 LABEL KIT

REF. NO.	PART NO.	DESCRIPTION	REF. NO.	PART NO.	DESCRIPTION	REF. NO.	PART NO.	DESCRIPTION
1	499678	Cylinder Assembly	306	691232	Cylinder Shield	584	692342	Breather Passage Cover
2	399269	Bushing/Seal Kit (Magneto Side)	307	690345	Screw (Cylinder Shield)	585	★272238	Breather Passage Cover Gasket
3	★299819	Oil Seal (Magneto Side)	341	690368	Stud (Mounting Bracket)	684	690345	Screw (Breather Passage Cover)
8	495786	Breather Assembly	347	691396	Rocker Switch	718	230192	Locating Pin
9	★272481	Breather Gasket	493	692877	Mounting Bracket	1019	499691	Label Kit
10	691125	Screw (Breather Assembly)	529	281736	Grommet	1058	273323	Owner's Manual
11	691260	Breather Tube	532	95171	Nut (Mounting Bracket)			

★ Included in Gasket Set-Ref 358.  
 Δ Included in Valve Overhaul Kit-Ref 1033.

● Included in Carburetor Kit-Ref 121.  
 ◆ Included in Carburetor Gasket Set-Ref 977.

# 121600 to 121699

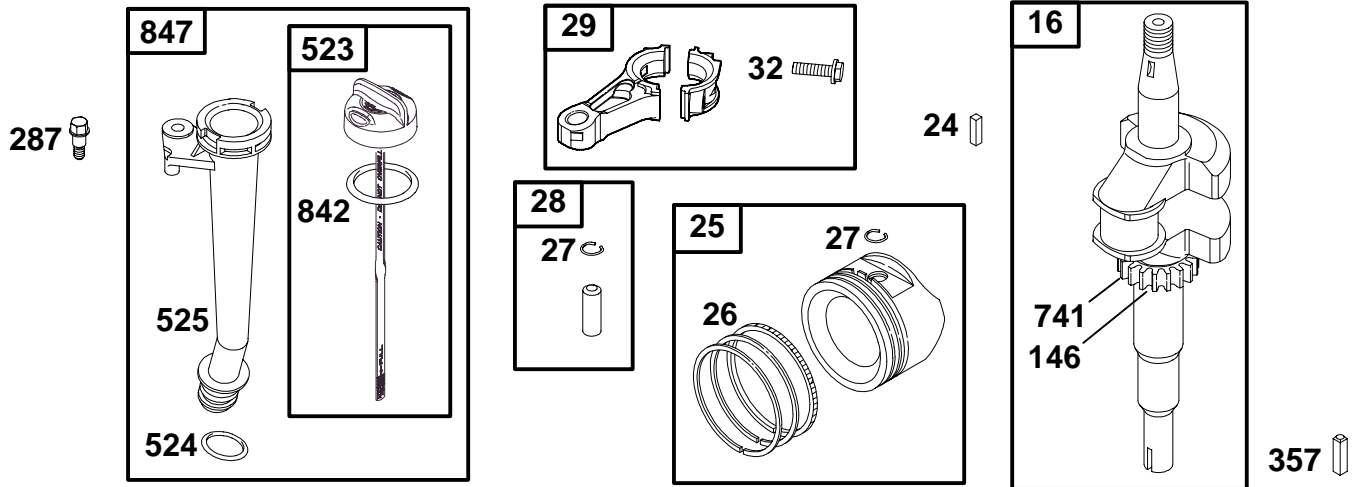


REF. NO.	PART NO.	DESCRIPTION	REF. NO.	PART NO.	DESCRIPTION	REF. NO.	PART NO.	DESCRIPTION
5	694328	Cylinder Head (Used After Code Date 98031500). <b>Note</b> 499643 Cylinder Head (Used Before Code Date 98031600).	40	93312	Valve Retainer	830	694544	Stud (Rocker Arm)
7	★Δ273240	Cylinder Head Gasket	45	262679	Valve Tappet	868	★Δ498592	Valve Seal
13	691137	Screw (Cylinder Head)	51	◆★Δ692668	Intake Gasket	883	★Δ273348	Exhaust Gasket
33	499642	Exhaust Valve	122	◆★Δ692799	Carburetor Spacer	914	691108	Screw (Rocker Cover)
34	499641	Intake Valve	155	691231	Cylinder Head Plate	993	★Δ273346	Plate Gasket
35	691304	Valve Spring (Intake)	189	694543	Rocker Arm Ball	1022	★Δ691890	Rocker Cover Gasket
36	691304	Valve Spring (Exhaust)	238	691300	Valve Cap	1023	499624	Rocker Cover
			337	499608	Spark Plug	1026	498597	Push Rod
				<b>Note</b> 692720 Spark Plug Used on Type No(s). 0209, 0260.		1029	691240	Rocker Arm
			383	89838	Spark Plug Wrench	1034	691343	Push Rod Guide
			619	691108	Screw (Cylinder Head Plate)	1050	692558	Nut (Rocker Arm)
			635	66538	Spark Plug Boot			

★ Included in Gasket Set-Ref 358.  
 Δ Included in Valve Overhaul Kit-Ref 1033.

◆ Included in Carburetor Kit-Ref 121.  
 ◆ Included in Carburetor Gasket Set-Ref 977.

121600 to 121699

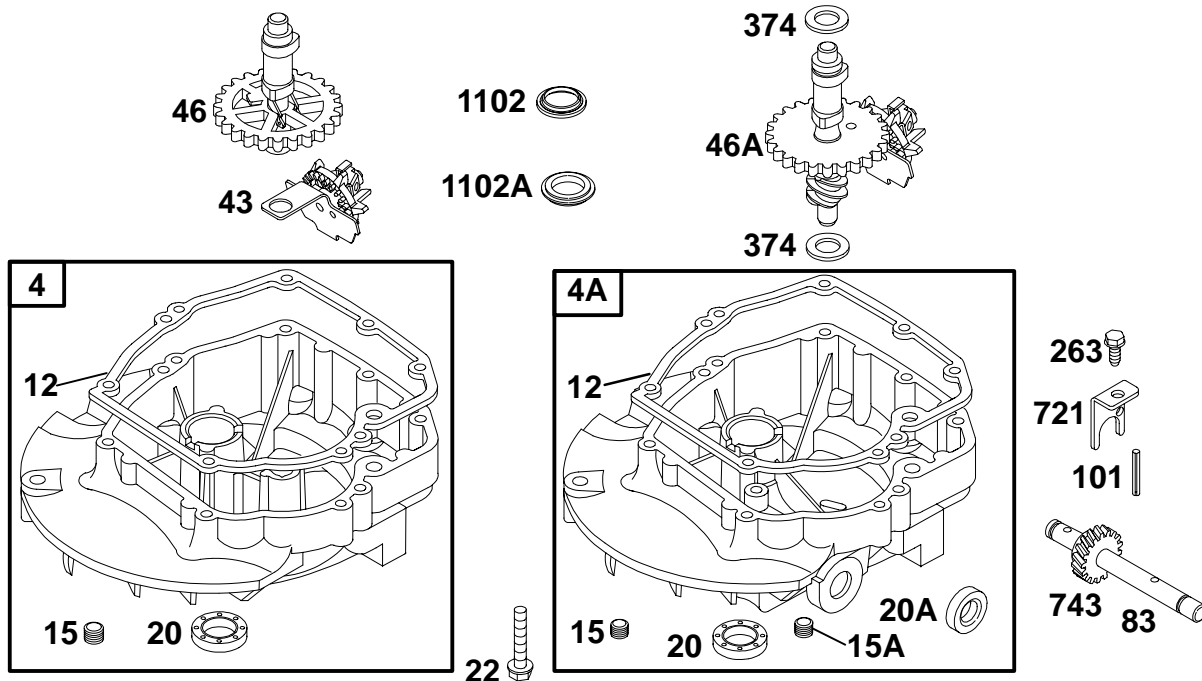


REF. NO.	PART NO.	DESCRIPTION	REF. NO.	PART NO.	DESCRIPTION	REF. NO.	PART NO.	DESCRIPTION
16	691457	Crankshaft <b>Note</b> <b>691456</b> Crankshaft Used on Type No(s). 0025, 0058, 0133, 0137, 0163, 0167, 0169, 0171, 0199, 0204, 0228, 0255, 0525. <b>498616</b> Crankshaft Used on Type No(s). 0021, 0166, 0172, 0185, 0187, 0195, 0197, 0206, 0222, 0234, 0259, 0521. <b>691458</b> Crankshaft Used on Type No(s). 0150, 0153, 0256. <b>692716</b> Crankshaft Used on Type No(s). 0174, 0201, 0215, 0220. <b>692803</b> Crankshaft Used on Type No(s). 0045, 0188, 0235, 0545. <b>692823</b> Crankshaft Used on Type No(s). 0016, 0022, 0193, 0194, 0227, 0240, 0241, 0522. <b>692824</b> Crankshaft Used on Type No(s). 0142. <b>694491</b> Crankshaft Used on Type No(s). 0026, 0526.	24	222698	Flywheel Key	28	499423	Piston Pin
			25	499627	Piston Assembly (Standard) <b>Note</b> <b>692788</b> Piston Assy. (.010" O.S.) <b>692789</b> Piston Assy. (.020" O.S.) <b>692790</b> Piston Assy. (.030" O.S.) (Standard)	29	499424	Connecting Rod
			26	499631	Ring Set (Standard) <b>Note</b> <b>692785</b> Ring Set (.010" O.S.) <b>692786</b> Ring Set (.020" O.S.) <b>692787</b> Ring Set (.030" O.S.)	32	94699	Screw (Connecting Rod)
			27	263190	Piston Pin Lock	146	94388	Timing Key
						287	94511	Screw (Dipstick Tube)
						357	91539	Drive Pulley Key
						523	499621	Dipstick
						524	★280966	Dipstick/Tube Seal
						525	495265	Dipstick Tube
						741	262598	Timing Gear
						842	★280393	Dipstick/Tube Seal
						847	498715	Dipstick/Tube Assembly

★ Included in Gasket Set—Ref 358.  
 Δ Included in Valve Overhaul Kit—Ref 1033.

● Included in Carburetor Kit—Ref 121.  
 ◆ Included in Carburetor Gasket Set—Ref 977.

# 121600 to 121699

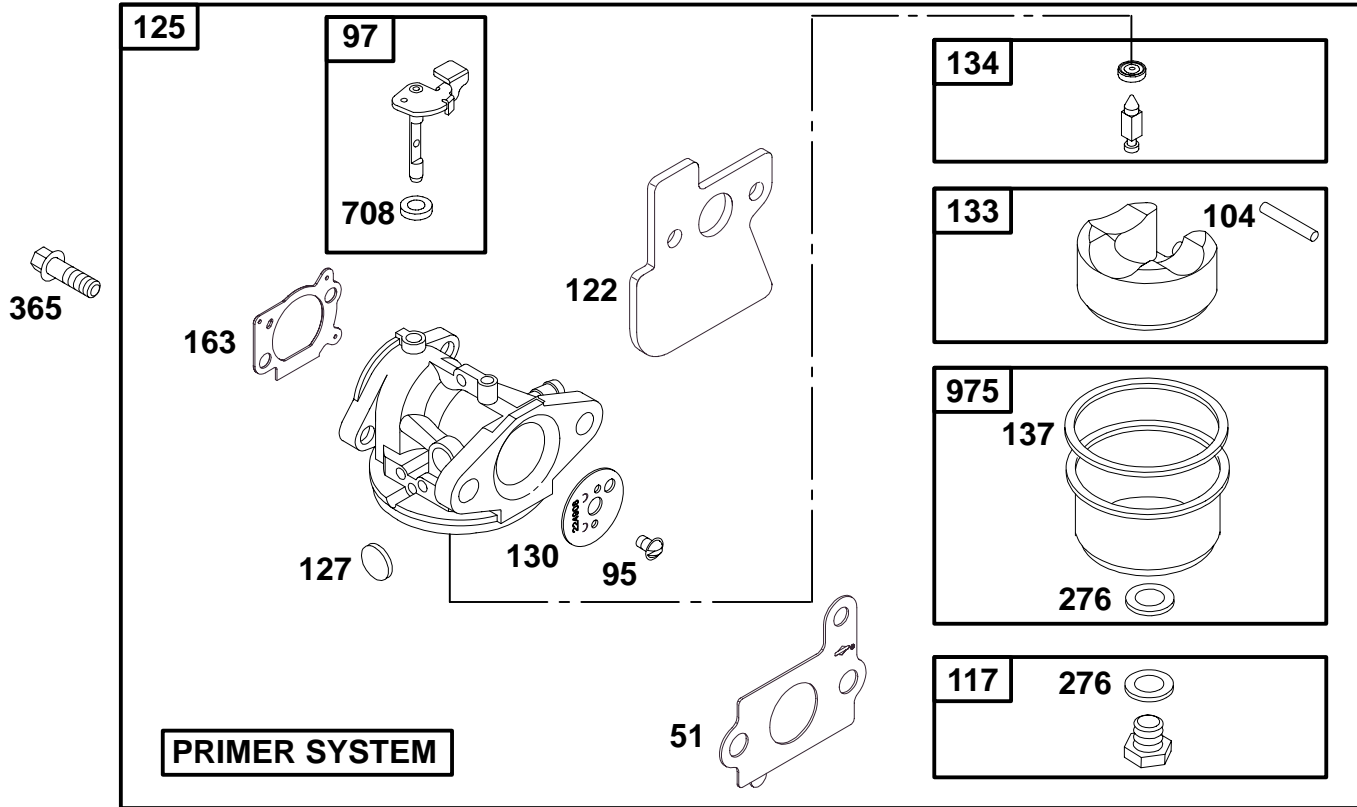


REF. NO.	PART NO.	DESCRIPTION	REF. NO.	PART NO.	DESCRIPTION	REF. NO.	PART NO.	DESCRIPTION
4	499619	Engine Sump _____ <b>Note</b> _____ 498983 Engine Sump Used on Type No(s). 0030, 0045, 0142, 0188, 0189, 0235, 0545.	46	694039	Camshaft (Used After Code Date 99030700). _____ <b>Note</b> _____ 694035 Camshaft (Used Before Code Date 99030800).	83	231671	Auxillary Drive Shaft _____ <b>Note</b> _____ 690522 Auxillary Drive Shaft Used on Type No(s). 0150, 0153. 690657 Auxillary Drive Shaft Used on Type No(s). 0122, 0241.
4A	493365	Engine Sump	46A	694038	Camshaft (Clockwise) (Used After Code Date 99030700). _____ <b>Note</b> _____ 694034 Camshaft (Clockwise) (Used Before Code Date 99030800). _____ <b>Note</b> _____ 694037 Camshaft (Counterclockwise) (Used After Code Date 99030700). _____ <b>Note</b> _____ 694033 Camshaft (Counterclockwise) (Used Before Code Date 99030800).	101	93474	Shaft Pin
12	★272198	Crankcase Gasket				263	94929	Screw (Shaft Stop)
15	94880	Oil Drain Plug				374	691074	Washer (Camshaft)
15A	691093	Oil Drain Plug (Used On Aux. Drive Sumps Only--Access Hole)				721	690449	Shaft Stop
20	★399781	Oil Seal (PTO Side)				743	690516	Drive Gear (Clockwise) _____ <b>Note</b> _____ 231279 Drive Gear (Counterclockwise) Used on Type No(s). 0122, 0150, 0205, 0236, 0241, 0251.
20A	391484	Oil Seal (PTO Side)				1102	691255	Guide Pilot Used on Type No(s). 0819, 0235.
22	691092	Screw (Engine Sump) _____ <b>Note</b> _____ 94612 Screw (Engine Sump) (One Used in Hole Nearest Breather.)				1102A	691266	Guide Pilot Used on Type No(s). 0030, 0142, 0188.
43	493737	Governor/Oil Slinger _____ <b>Note</b> _____ 691486 Governor/Oil Slinger Used on Type No(s). 0030, 0045, 0142, 0188, 0189, 0235, 0545.						

★ Included in Gasket Set--Ref 358.  
 Δ Included in Valve Overhaul Kit--Ref 1033.

● Included in Carburetor Kit--Ref 121.  
 ◆ Included in Carburetor Gasket Set--Ref 977.

121600 to 121699

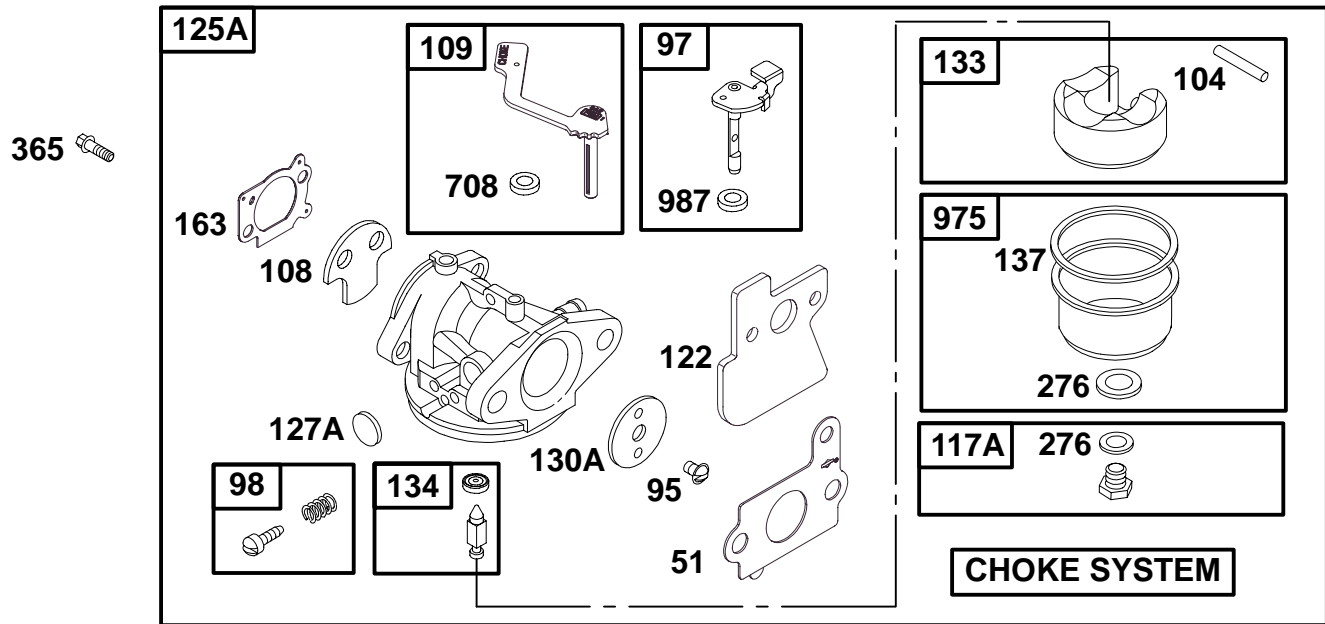


REF. NO.	PART NO.	DESCRIPTION	REF. NO.	PART NO.	DESCRIPTION	REF. NO.	PART NO.	DESCRIPTION
51	★♦△692668	Intake Gasket	122	♦♦△692799	Carburetor Spacer	127	♦694468	Welch Plug
95	94098	Screw (Throttle Valve)	125	694202	Carburetor (Used After Code Date 99030700).	130	691203	Throttle Valve
97	499682	Throttle Shaft	<b>Note</b> 692648 Carburetor (Used Before Code Date 99030800 and After Code Date 97120700). 499974 Carburetor (Used Before Code Date 97120800 and After Code Date 97080300). 499617 Carburetor (Used Before Code Date 97080400).			133	398187	Carburetor Float
104	♦691242	Float Hinge Pin				134	♦398188	Needle/Seat Kit
117	494870	Main Jet (Standard) (Used After Code Date 97080300).				137	♦280492	Float Bowl Gasket
						163	♦♦273364	Air Cleaner Gasket
						276	♦271716	Sealing Washer
						365	691136	Screw (Carburetor)
						708	♦♦691321	Dust Seal (Throttle Shaft)
						975	493640	Float Bowl

★ Included in Gasket Set—Ref 358.  
 △ Included in Valve Overhaul Kit—Ref 1033.

♦ Included in Carburetor Kit—Ref 121.  
 ♦♦ Included in Carburetor Gasket Set—Ref 977.

# 121600 to 121699

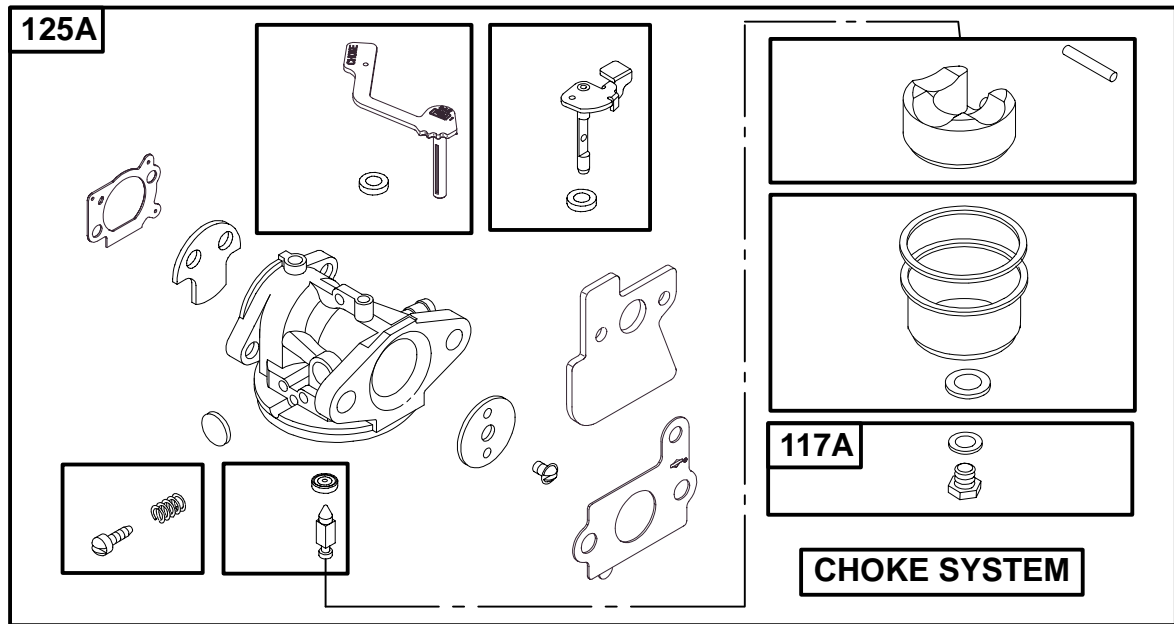


REF. NO.	PART NO.	DESCRIPTION	REF. NO.	PART NO.	DESCRIPTION	REF. NO.	PART NO.	DESCRIPTION
51	★♦△692668	Intake Gasket	117A		Main Jet	133	398187	Carburetor Float
95	94098	Screw			<b>See Next Page</b>	134	♦398188	Needle/Seat Kit
97	499682	Throttle Shaft	122	♦△692799	Carburetor Spacer	137	♦280492	Float Bowl Gasket
98	398185	Idle Speed Kit	125A		Carburetor	163	★♦273364	Air Cleaner Gasket
104	♦691242	Float Hinge Pin			<b>See Next Page</b>	276	♦271716	Sealing Washer
108	691182	Choke Valve (Used After Code Date 97080300).	127A	♦223472	Welch Plug	365	691136	Screw (Carburetor)
		<b>Note</b>	130A	691181	Throttle Valve	708	♦691321	Dust Seal (Choke Shaft)
		224783 Choke Valve (Used Before Code Date 97080400). Used on Type No(s). 0152.			<b>Note</b>	975	493640	Float Bowl
					691203 Throttle Valve Used on Type No(s). 0016, 0030, 0142, 0183, 0188, 0189, 0194, 0198, 0206, 0222, 0235.	987	♦691321	Dust Seal (Throttle Shaft)
109	499681	Choke Shaft						
		<b>Note</b>						
		499779 Choke Shaft Used on Type No(s). 0149, 0152, 0197, 0199, 0200, 0201, 0202, 0211, 0220, 0259, 0265.						

★ Included in Gasket Set—Ref 358.  
 △ Included in Valve Overhaul Kit—Ref 1033.

♦ Included in Carburetor Kit—Ref 121.  
 ◆ Included in Carburetor Gasket Set—Ref 977.

121600 to 121699



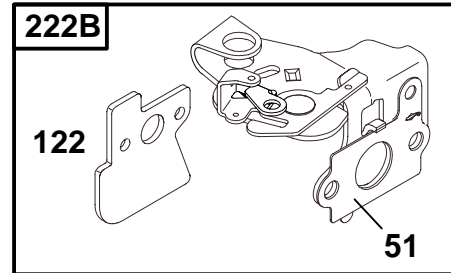
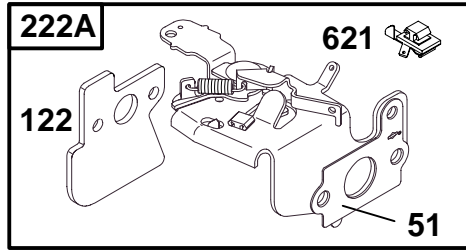
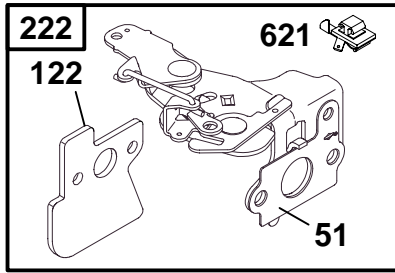
REF. NO.	PART NO.	DESCRIPTION	REF. NO.	PART NO.	DESCRIPTION	REF. NO.	PART NO.	DESCRIPTION	
117A	497466	<p>Main Jet (Standard) Used on Type No(s). 0149, 0197, 0199, 0200, 0201, 0202, 0207, 0211, 0220, 0259.</p> <p>———— <b>Note</b> ————  <b>494870</b> Main Jet (Standard)                      (Used Before Code Date 97080400).                      Used on Type No(s). 0152.  <b>498975</b> Main Jet (Standard)                      Used on Type No(s). 0016, 0030, 0142, 0183, 0188, 0189, 0194, 0198, 0206, 0222, 0235.  <b>498978</b> Main Jet (Standard)                      Used on Type No(s). 0265.</p>							
					<p><b>496495</b> Main Jet (High Altitude) Used on Type No(s). 0152, 0207.  <b>497315</b> Main Jet (High Altitude) (Used Before Code Date 97080400). Used on Type No(s). 0152.  <b>498667</b> Main Jet (High Altitude) Used on Type No(s). 0016, 0030, 0142, 0183, 0188, 0189, 0194, 0198, 0206, 0222, 0235.</p>	125A	499973	<p>Carburetor Used on Type No(s). 0152, 0207.</p> <p>———— <b>Note</b> ————  <b>499778</b> Carburetor Used on Type No(s). 0149, 0197, 0199, 0200, 0201, 0202, 0211, 0220, 0259, 0265.  <b>690152</b> Carburetor Used on Type No(s). 0016, 0030, 0045, 0142, 0183, 0188, 0189, 0194, 0198, 0206, 0222, 0235.  <b>694205</b> Carburetor Used on Type No(s). 0265.</p>	

★ Included in Gasket Set—Ref 358.  
 Δ Included in Valve Overhaul Kit—Ref 1033.

● Included in Carburetor Kit—Ref 121.  
 ◆ Included in Carburetor Gasket Set—Ref 977.



# 121600 to 121699

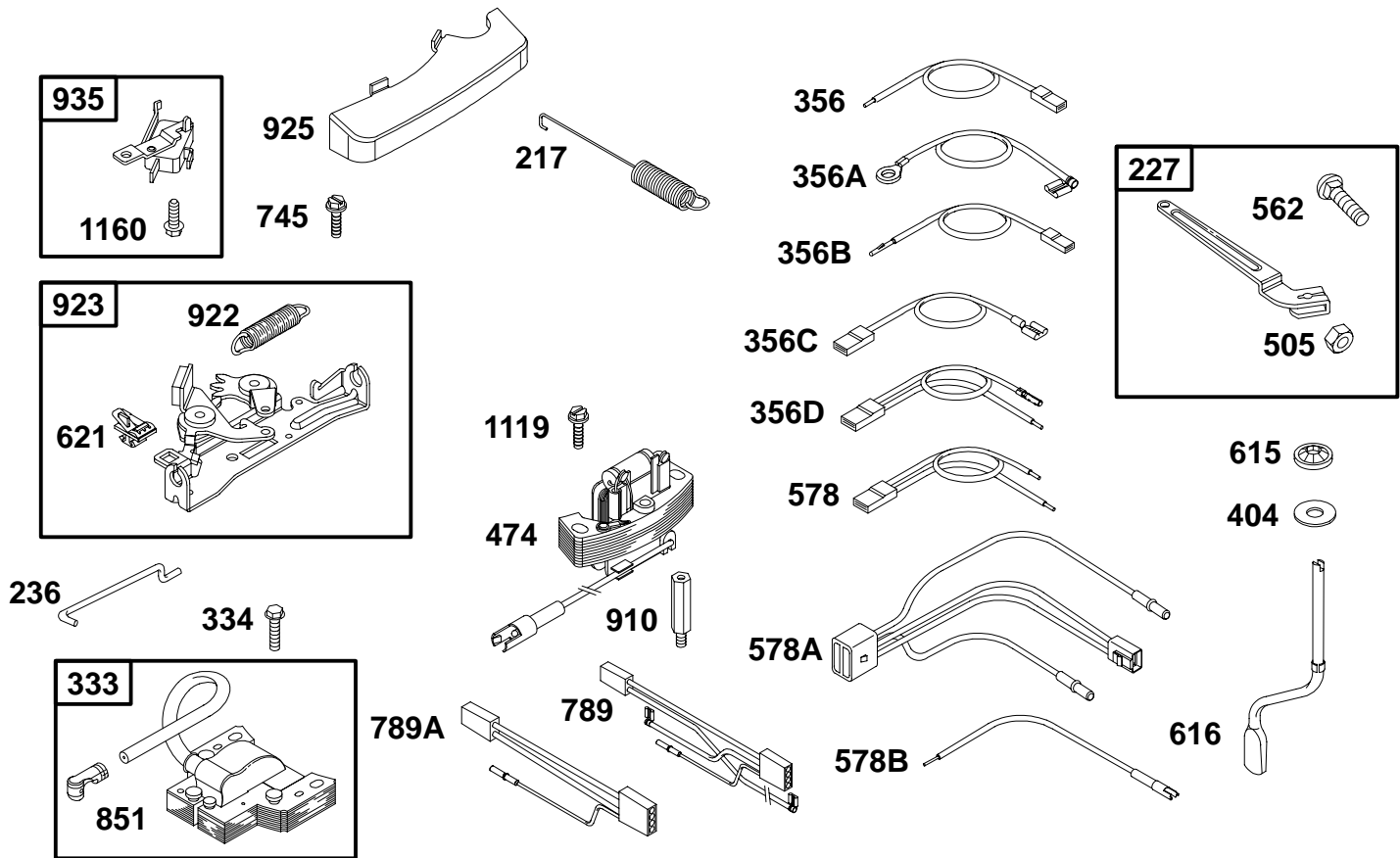


REF. NO.	PART NO.	DESCRIPTION	REF. NO.	PART NO.	DESCRIPTION	REF. NO.	PART NO.	DESCRIPTION
	51	692668 Intake Gasket			692433 Governor Spring			691461 Control Bracket
	122	692799 Carburetor Spacer			Used on Type No(s). 0201, 0202, 0220.			(Used Before Code Date 98031600).
	188	693168 Screw (Control Bracket)			693031 Governor Spring			Used on Type No(s). 0018, 0100, 0101, 0105, 0115, 0118, 0121, 0122, 0136, 0155, 0163, 0165, 0166, 0168, 0171, 0175, 0189, 0190, 0191, 0195.
	202	691303 Mechanical Governor Link			Used on Type No(s). 0152, 0207.			222A 692615 Control Bracket (Used After Code Date 98031500).
	209	263044 Governor Spring			693032 Governor Spring			498908 Control Bracket (Used Before Code Date 98031600).
		<b>Note</b>			Used on Type No(s). 0045, 0188, 0545.			<b>Note</b>
		691290 Governor Spring	211	692434	211 692434 Governor Idle Spring			692616 Control Bracket (Used After Code Date 98031500).
		Used on Type No(s). 0016, 0030, 0142, 0183, 0189, 0193, 0194, 0198, 0206, 0215, 0219, 0222.			Used on Type No(s). 0149, 0152, 0197, 0199, 0200, 0201, 0202, 0207, 0211, 0220, 0247, 0259, 0265, 0261, 0262.			498666 Control Bracket (Used Before Code Date 98031600).
		691291 Governor Spring			Used on Type No(s). 0019, 0137, 0133, 0154, 0155, 0167, 0168, 0169, 0173, 0174, 0204, 0205, 0217, 0218, 0221, 0228, 0253, 0255.			<b>Note</b>
		263042 Governor Spring	222	692618	222 692618 Control Bracket (Used After Code Date 98031500).			692616 Control Bracket (Used After Code Date 98031500).
		Used on Type No(s). 0015, 0022, 0025, 0026, 0050, 0051, 0058, 0060, 0061, 0100, 0105, 0117, 0118, 0115, 0121, 0122, 0137, 0190, 0191, 0195, 0240, 0265, 0505, 0521, 0522, 0523, 0550, 0551, 0561.			498666 Control Bracket (Used Before Code Date 98031600).			Used on Type No(s). 0152, 0207, 0262.
		692906 Governor Spring			<b>Note</b>			691469 Control Bracket (Used Before Code Date 98031600).
		Used on Type No(s). 0149, 0197, 0199, 0200, 0211, 0247, 0259, 0261, 0262, 0265.			692617 Control Bracket (Used After Code Date 98031500).			Used on Type No(s). 0152, 0207.
					Used on Type No(s). 0018, 0100, 0101, 0118, 0121, 0122, 0165, 0166, 0171, 0175, 0190, 0191, 0195, 0221, 0240, 0241, 0249, 0251.			692722 Control Bracket (Used After Code Date 98031500).
								Used on Type No(s). 0199, 0201, 0202, 0247, 0265.
								222B 692723 Control Bracket
								621 396847 Stop Switch
								843 272616 Lever Sleeve

★ Included in Gasket Set—Ref 358.  
 △ Included in Valve Overhaul Kit—Ref 1033.

● Included in Carburetor Kit—Ref 121.  
 ◆ Included in Carburetor Gasket Set—Ref 977.

121600 to 121699

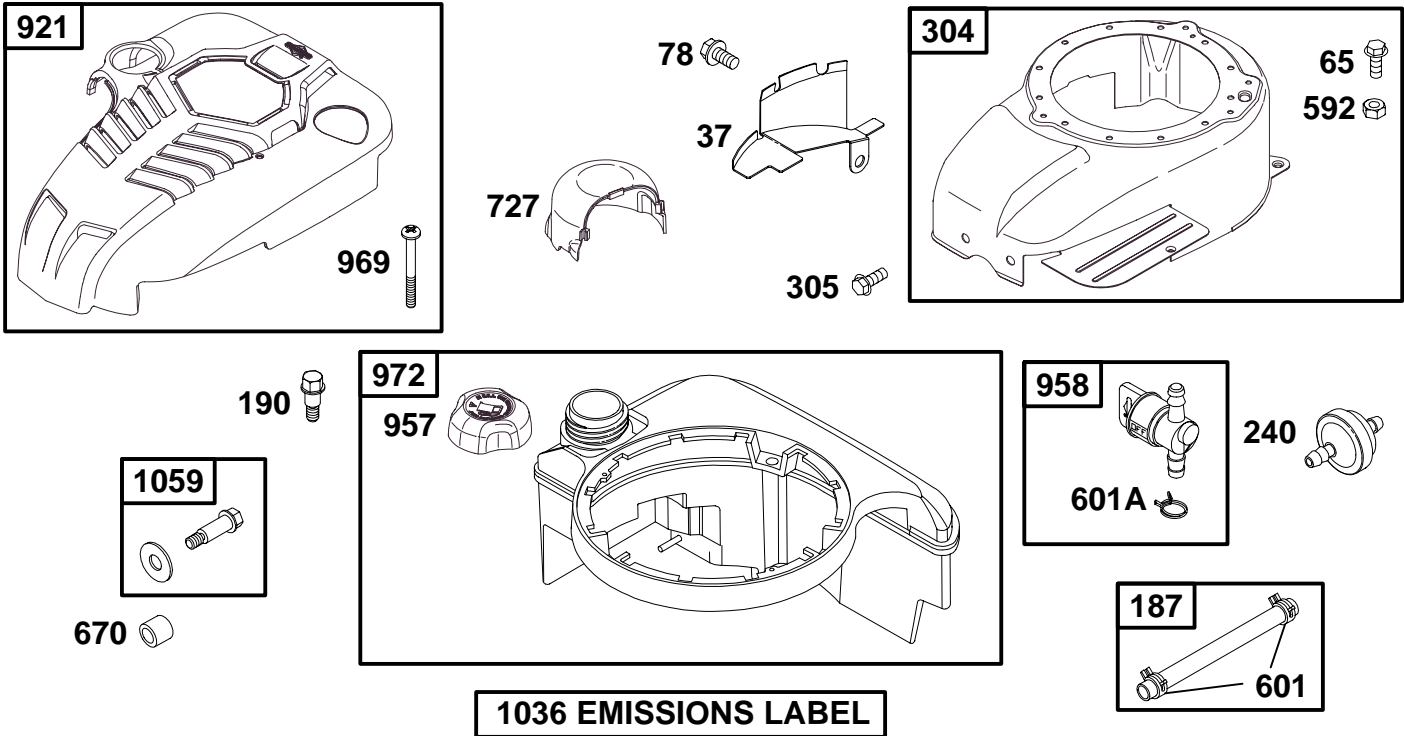


REF. NO.	PART NO.	DESCRIPTION	REF. NO.	PART NO.	DESCRIPTION	REF. NO.	PART NO.	DESCRIPTION
217	262749	Choke Return Spring Used on Type No(s). 0149, 0197, 0199, 0200, 0201, 0202, 0211, 0259, 0261, 0265.	474	492841	Alternator	621	396847	Stop Switch
			505	231082	Nut (Governor Lever)	745	94512	Screw (Brake)
			562	94852	Bolt (Governor Lever)	789	691372	Wiring Harness
227	691467	Governor Control Lever	578	398153	Wire Assembly	789A	690790	Wiring Harness
236	262461	Lockout Link	578A	694497	Wire Assembly Used on Type No(s). 0260.	851	493880	Spark Plug Terminal
333	802574	Magneto Armature	578B	694498	Wire Assembly Used on Type No(s). 0260	910	691094	Stud (Alternator)
334	94731	Screw (Magneto Armature)				922	262640	Brake Spring
356	692390	Stop Wire	615	690340	Governor Retainer	923	493442	Brake
356A	499690	Stop Wire	616	691306	Governor Crank	925	690595	Linkage Cover
356B	692151	Stop Wire			<b>Note</b>	935	499421	Interlock Switch
356C	693010	Stop Wire			691308	692979	Screw (Alternator)	
356D	691418	Stop Wire			Governor Crank	1160	93758	Screw (Interlock Swtch)
404	690272	Washer (Governor Crank)			Used on Type No(s). 0545.			

★ Included in Gasket Set—Ref 358.  
 △ Included in Valve Overhaul Kit—Ref 1033.

● Included in Carburetor Kit—Ref 121.  
 ◆ Included in Carburetor Gasket Set—Ref 977.

# 121600 to 121699



REF. NO.	PART NO.	DESCRIPTION	REF. NO.	PART NO.	DESCRIPTION	REF. NO.	PART NO.	DESCRIPTION
37	224511	Flywheel Guard	304	499677	Blower Housing	305	691108	Screw (Blower Housing)
65	94904	Screw (Rewind Starter)			<b>Note</b>	592	94908	Nut (Rewind Starter)
78	691108	Screw (Flywheel Guard)			499676 Blower Housing	601	95162	Hose Clamp
187	296004	Fuel Line (Cut to Required Length)			Used on Type No(s). 0016, 0030, 0117, 0119, 0120, 0133, 0135, 0137, 0142, 0149, 0150, 0152, 0153, 0154, 0167, 0169, 0172, 0173, 0174, 0182, 0183, 0186, 0187, 0188, 0189, 0193, 0194, 0197, 0198, 0200, 0201, 0202, 0204, 0205, 0206, 0207, 0209, 0211, 0217, 0218, 0235, 0242, 0253, 0254, 0255, 0260, 0262, 0266, 0505, 0561.	601A	93807	Hose Clamp
		<b>Note</b>				670	280512	Fuel Tank Spacer
		298049 Fuel Line (Cut to Required Length) Used on Type No(s). 0251, 0262, 0266.				727	692934	Starter Drive Cover
190	94511	Screw (Fuel Tank)				921	691465	Blower Housing Cover
240	298090	Fuel Filter				957	498697	Fuel Tank Cap
						958	494768	Fuel Shutoff Valve
						969	691138	Screw (Blower Housing Cover)
						972	499618	Fuel Tank
						1036	694507	Emissions Label (Used After Code Date 98123100). 499343 Emissions Label (Used Before Code Date 99010100).
						1059	398540	Screw/Washer Kit

★ Included in Gasket Set—Ref 358.

△ Included in Valve Overhaul Kit—Ref 1033.

● Included in Carburetor Kit—Ref 121.

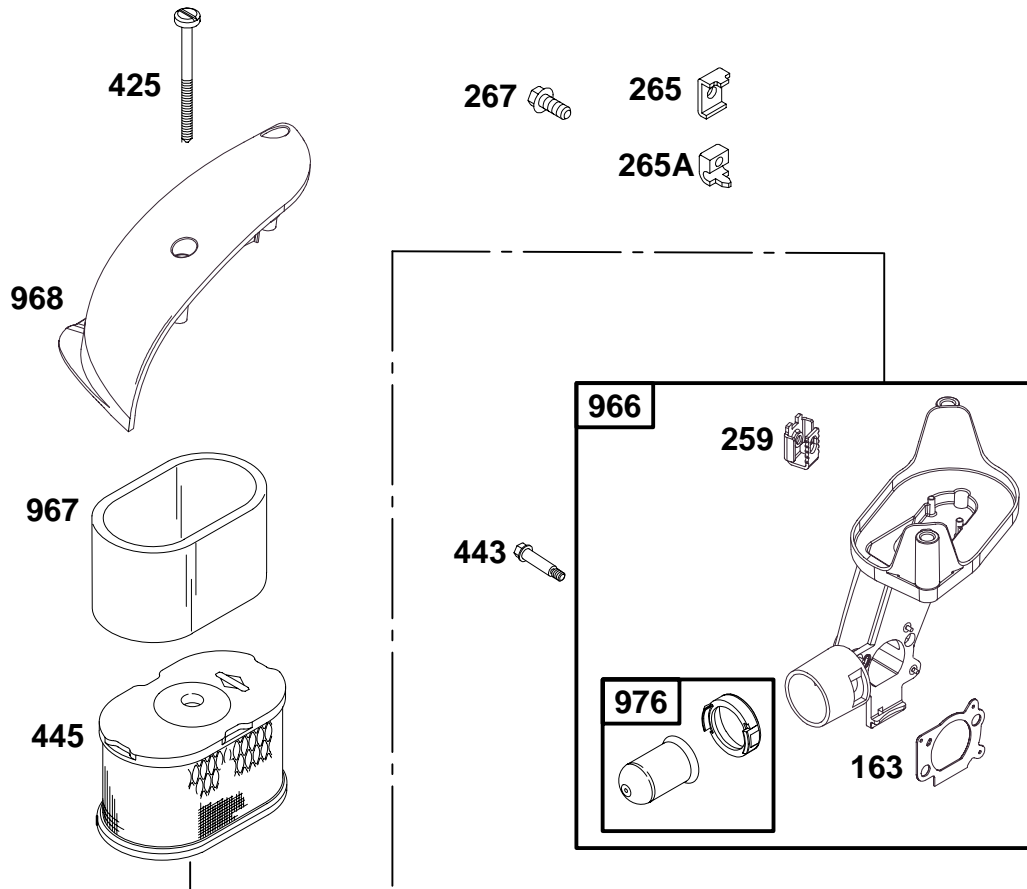
◆ Included in Carburetor Gasket Set—Ref 977.

2143-11

Assemblies include all parts shown in frames.

79

121600 to 121699



REF. NO.	PART NO.	DESCRIPTION	REF. NO.	PART NO.	DESCRIPTION	REF. NO.	PART NO.	DESCRIPTION
	<b>163</b> ◆◆★	<b>273364</b> Air Cleaner Gasket		<b>267</b>	<b>94882</b> Screw (Casing Clamp)		<b>966</b>	<b>499684</b> A/C Primer Base
	<b>259</b>	<b>691189</b> Casing Clamp Bracket		<b>425</b>	<b>690244</b> Screw (Air Cleaner Cover)		<b>967</b>	<b>273356</b> Pre-Cleaner Filter
	<b>265</b>	<b>213146</b> Casing Clamp		<b>443</b>	<b>690255</b> Screw (A/C Primer Base)		<b>968</b>	<b>691342</b> Air Cleaner Cover
	<b>265A</b>	<b>221535</b> Casing Clamp		<b>445</b>	<b>498596</b> A/C Cartridge Filter			<b>Note</b>
								<b>692435</b> Air Cleaner Cover
								Used on Type No(s). 0152, 0262.
							<b>976</b>	<b>496115</b> Carburetor Primer

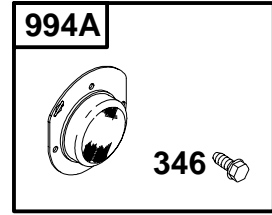
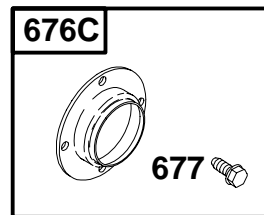
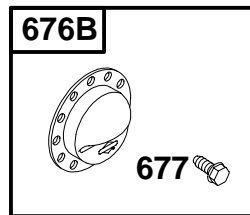
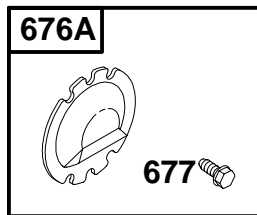
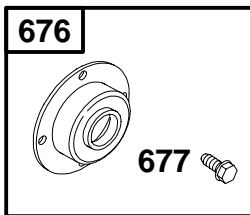
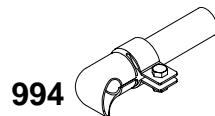
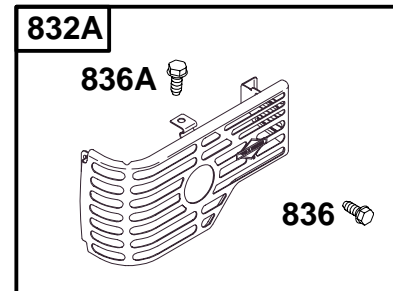
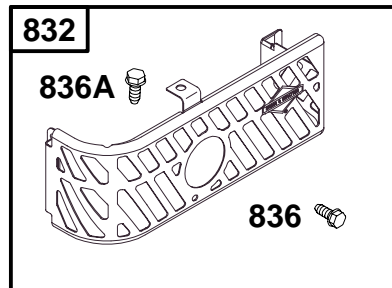
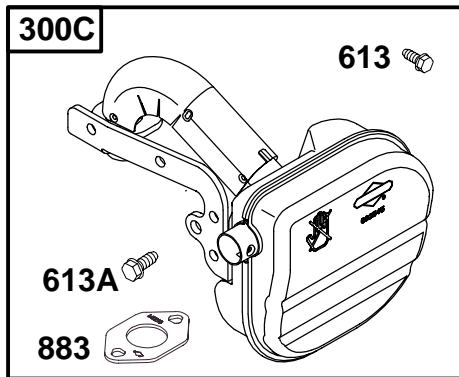
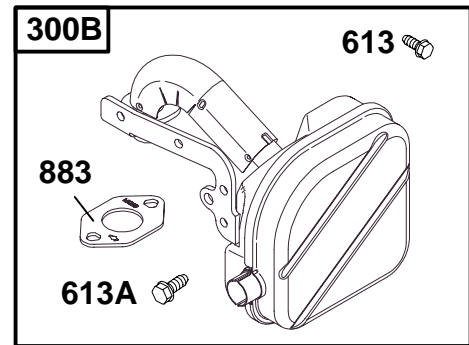
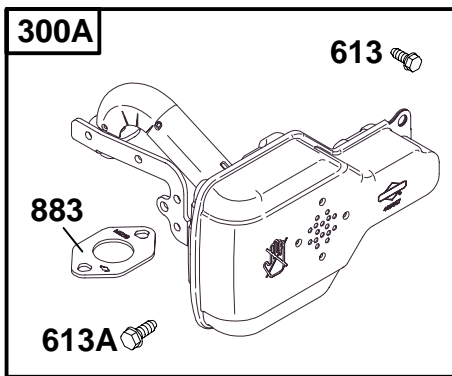
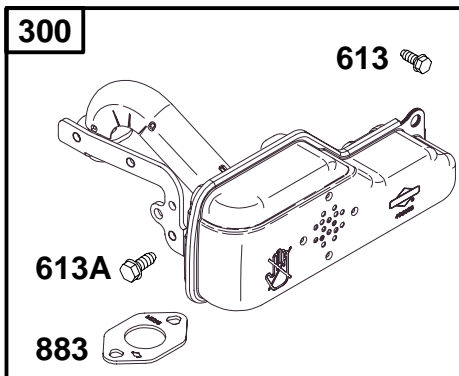
★ Included in Gasket Set-Ref 358.

△ Included in Valve Overhaul Kit-Ref 1033.

● Included in Carburetor Kit-Ref 121.

◆ Included in Carburetor Gasket Set-Ref 977.

# 121600 to 121699

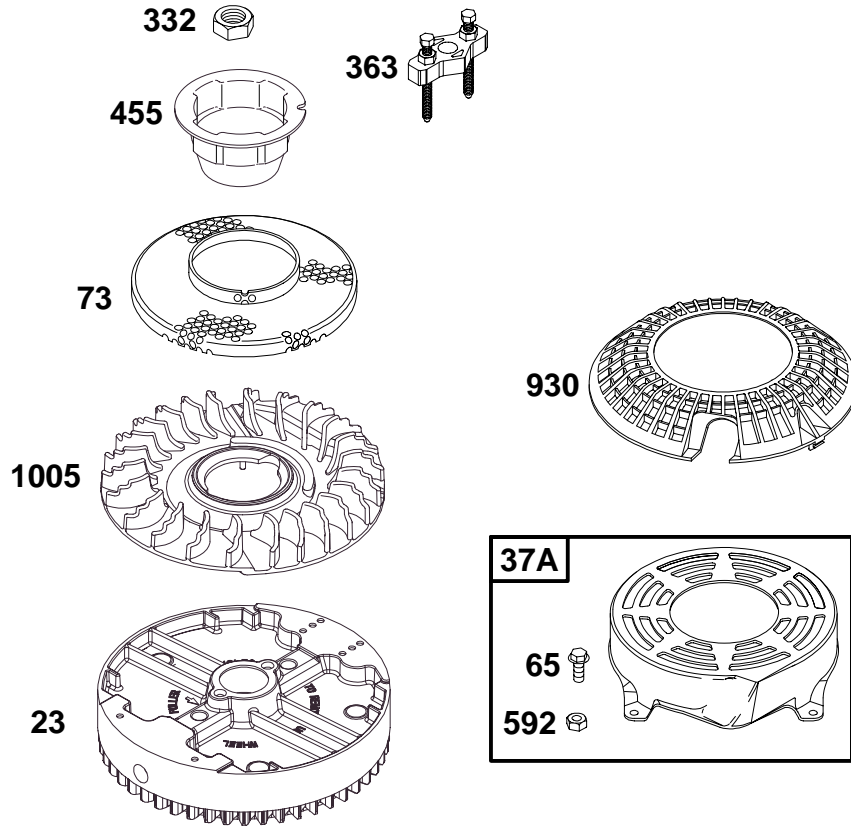


REF. NO.	PART NO.	DESCRIPTION	REF. NO.	PART NO.	DESCRIPTION	REF. NO.	PART NO.	DESCRIPTION
300	692275	Exhaust Muffler	613A	691140	Screw (Exhaust Muffler)	832A	692984	Muffler Guard
300A	692276	Exhaust Muffler	676	397931	Muffler Deflector	836	94874	Screw (Muffler Guard)
300B	692654	Exhaust Muffler	676A	393756	Muffler Deflector	836A	94786	Screw (Muffler Guard)
300C	694248	Exhaust Muffler	676B	396548	Muffler Deflector	883	★△273348	Exhaust Gasket
346	64896	Screw (Spark Arrestor)	676C	497682	Muffler Deflector	994	494486	Spark Arrestor
613	691108	Screw (Exhaust Muffler)	677	94896	Screw (Muffler Deflector)	994A	398067	Spark Arrestor
			832	691466	Muffler Guard			

★ Included in Gasket Set—Ref 358.  
 △ Included in Valve Overhaul Kit—Ref 1033.

● Included in Carburetor Kit—Ref 121.  
 ◆ Included in Carburetor Gasket Set—Ref 977.

121600 to 121699



REF. NO.	PART NO.	DESCRIPTION	REF. NO.	PART NO.	DESCRIPTION	REF. NO.	PART NO.	DESCRIPTION
23	692452	Flywheel	37A	499679	Flywheel Guard	455	691219	Flywheel Cup
		<b>Note</b>	65	94904	Screw	592	94908	Nut
		692693 Flywheel			(Rewind Starter)			(Rewind Starter)
		Used on Type No(s).	73	691221	Rotating Screen	930	281136	Rewind Guard
		0016, 0030, 0031,	332	94877	Nut	1005	691346	Flywheel Fan
		0061, 0117, 0119,			(Flywheel)			
		0120, 0135, 0142,	363	19069	Flywheel Puller			
		0149, 0152, 0172,						
		0174, 0183, 0186,						
		0187, 0189, 0193,						
		0194, 0197, 0198,						
		0200, 0201, 0202,						
		0206, 0207, 0209,						
		0211, 0217, 0218,						
		0220, 0222, 0242,						
		0253, 0254, 0260,						
		0261, 0262, 0266,						
		0505, 0561.						
		692987 Flywheel						
		Used on Type No(s).						
		0045, 0188, 0235,						
		0545.						

★ Included in Gasket Set—Ref 358.

△ Included in Valve Overhaul Kit—Ref 1033.

● Included in Carburetor Kit—Ref 121.

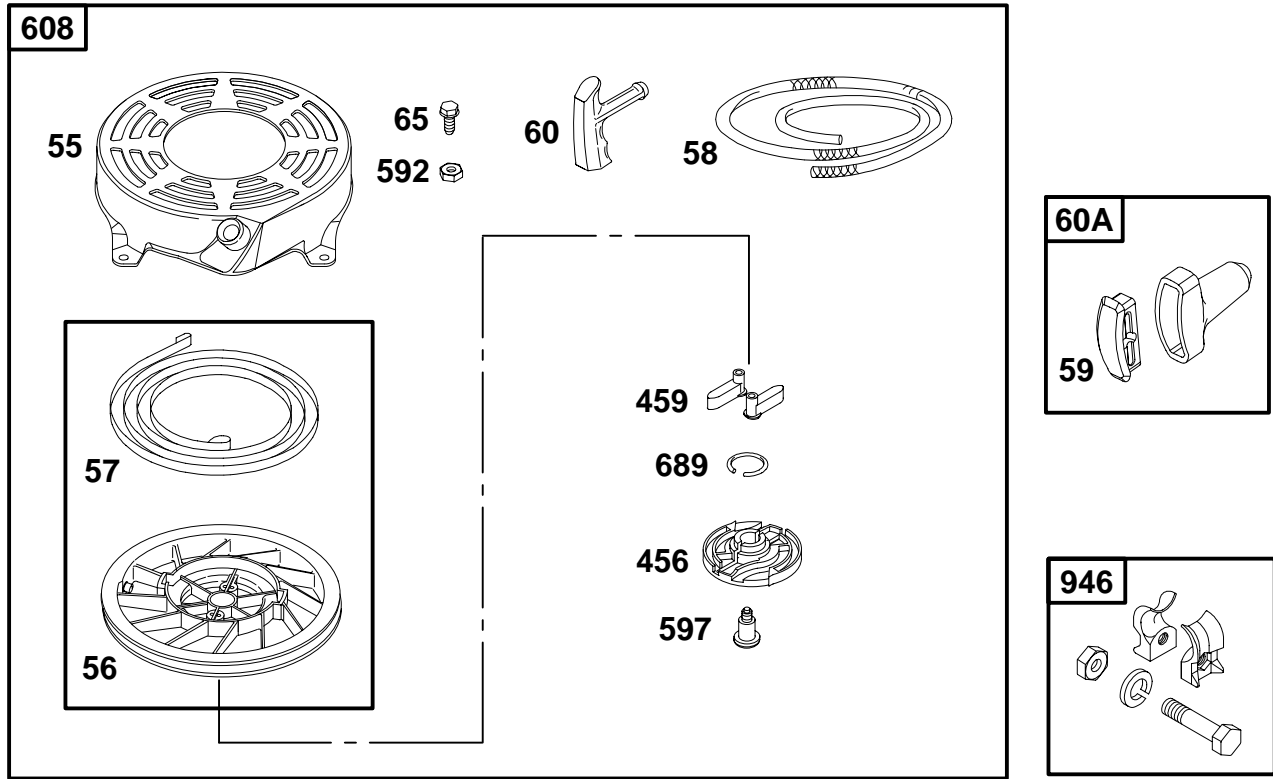
◆ Included in Carburetor Gasket Set—Ref 977.

2143-14

Assemblies include all parts shown in frames.

79

# 121600 to 121699

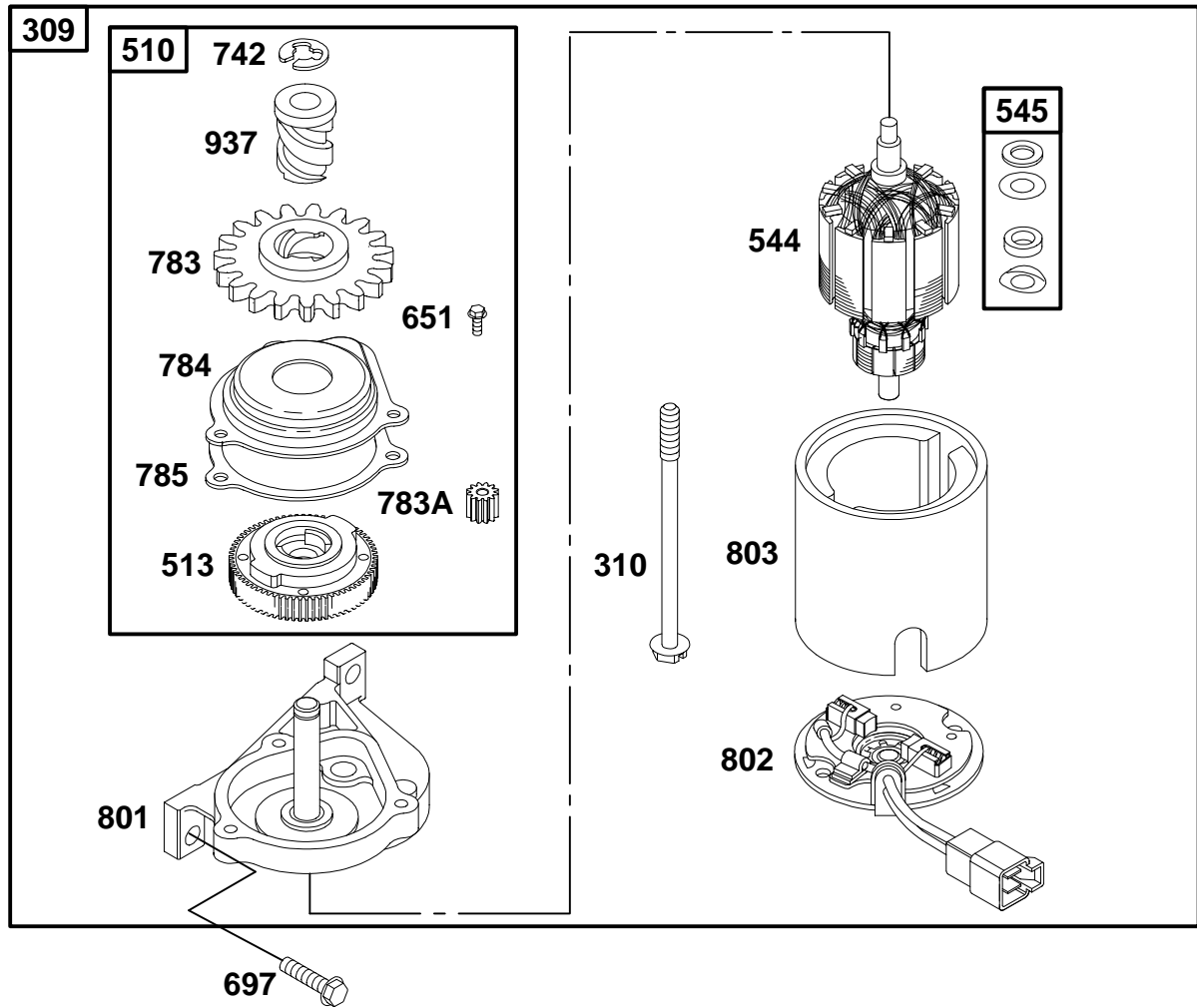


REF. NO.	PART NO.	DESCRIPTION	REF. NO.	PART NO.	DESCRIPTION	REF. NO.	PART NO.	DESCRIPTION
55	691421	Rewind Starter Housing	59	396892	Starter Rope Grip	592	94908	Nut (Rewind Starter)
56	498144	Pulley/Spring Assembly	60	281434	Starter Rope Grip	597	94943	Screw (Pawl Friction Plate)
57	498144	Pulley/Spring Assembly	60A	393152	Starter Rope Grip	608	497680	Rewind Starter
58	280399	Starter Rope (Cut To Required Length)	65	94904	Screw (Rewind Starter)	689	263073	Friction Spring
			456	281503	Pawl Friction Plate	946	396526	Rope Guide
			459	281505	Pawl Ratchet			

★ Included in Gasket Set-Ref 358.  
 Δ Included in Valve Overhaul Kit-Ref 1033.

● Included in Carburetor Kit-Ref 121.  
 ◆ Included in Carburetor Gasket Set-Ref 977.

121600 to 121699



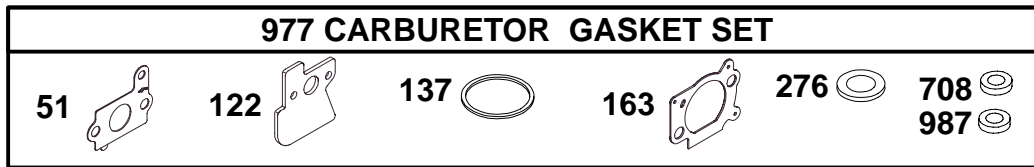
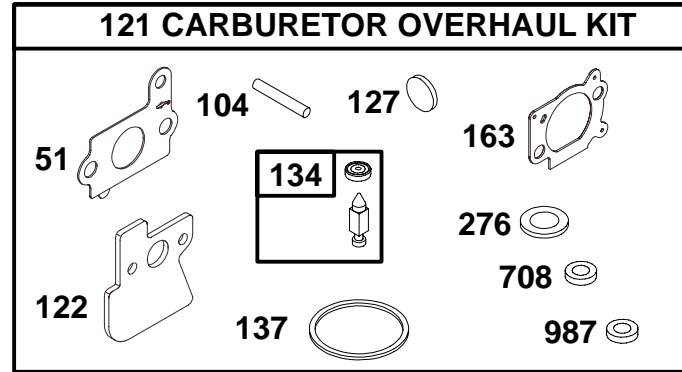
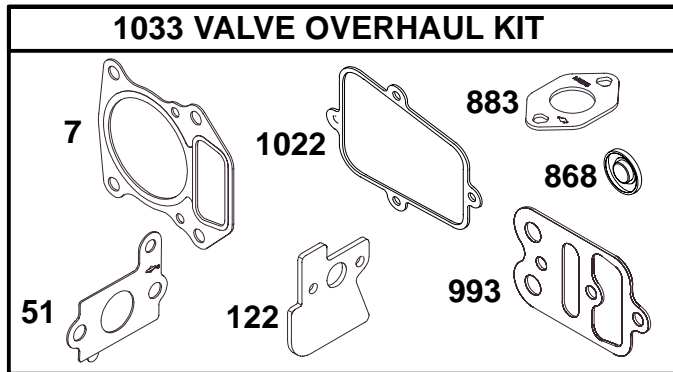
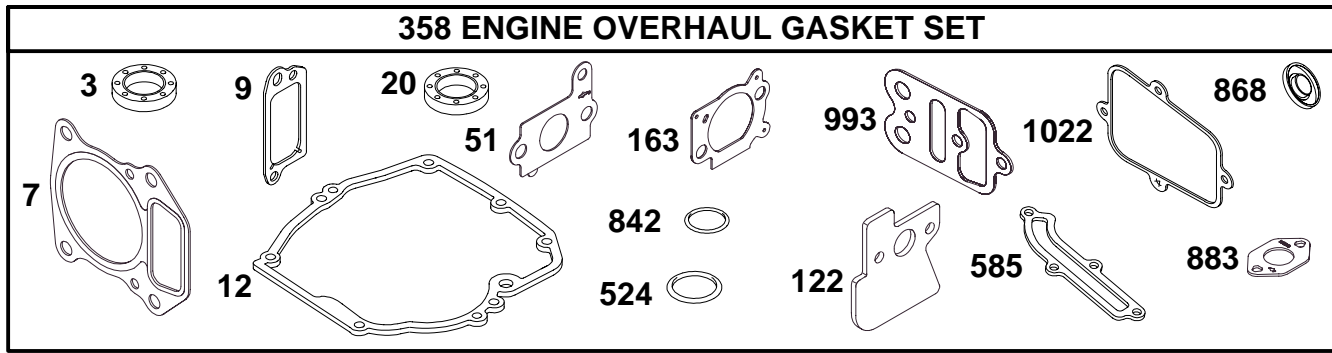
REF. NO.	PART NO.	DESCRIPTION	REF. NO.	PART NO.	DESCRIPTION	REF. NO.	PART NO.	DESCRIPTION
309	691376	Starter Motor	651	93490	Screw (Starter Gear Cover)	784	692341	Gear Cover
310	692327	Bolt (Starter Motor)	697	691127	Screw (Drive Cap)	785	692352	Starter Cover Gasket
510	494147	Starter Drive	742	93941	Retainer	801	692782	Drive Cap
513	692358	Drive Clutch	783	281127	Pinion Gear	802	690787	End Cap
544	690786	Starter Armature	783A	691269	Pinion Gear	803	690785	Starter Housing
545	492919	Washer Set				937	691325	Starter Spline

★ Included in Gasket Set—Ref 358.  
 △ Included in Valve Overhaul Kit—Ref 1033.

● Included in Carburetor Kit—Ref 121.  
 ◆ Included in Carburetor Gasket Set—Ref 977.



# 121600 to 121699



REF. NO.	PART NO.	DESCRIPTION	REF. NO.	PART NO.	DESCRIPTION	REF. NO.	PART NO.	DESCRIPTION	
3	★299819	Oil Seal (Magneto Side)	137	◆280492	Float Bowl Gasket	883	★△273348	Exhaust Gasket	
7	★△273240	Cylinder Head Gasket	163	◆◆273364	Air Cleaner Gasket	977	692704	Carburetor Gasket Set (Used After Code Date 98031500).	
9	★272481	Breather Gasket	276	◆◆271716	Sealing Washer	————— <b>Note</b> —————		499687	Carburetor Gasket Set (Used Before Code Date 98031600).
12	★272198	Crankcase Gasket	358	692702	Engine Overhaul Gasket Set (Used After Code Date 98031500).	987	◆◆691321	Dust Seal (Throttle Shaft)	
20	★399781	Oil Seal (PTO Side)	————— <b>Note</b> —————		499686	Engine Overhaul Gasket Set (Used Before Code Date 98031600).	993	★△693257	Plate Gasket
51	◆◆692668	Intake Gasket	524	★280966	O-Ring Seal (Dipstick Tube)	1022	★△273241	Rocker Cover Gasket	
104	◆691242	Float Hinge Pin	585	★272238	Breather Passage Gasket	1033	692705	Valve Overhaul Kit (Used After Code Date 98031500).	
121	692703	Carburetor Overhaul Kit (Used After Code Date 98031500).	708	◆◆691321	Dust Seal (Choke Shaft)	————— <b>Note</b> —————		499688	Valve Overhaul Kit (Used Before Code Date 98031600).
		————— <b>Note</b> —————	842	★280393	O-Ring Seal (Dipstick)				
		499685	Carburetor Overhaul Kit (Used Before Code Date 98031600).	868	★△498592	Valve Seal			
		122	◆◆692799	Carburetor Spacer					
		127	◆694468	Welch Plug					
		134	◆398188	Needle/Seat Kit					

★ Included in Gasket Set—Ref 358.  
 △ Included in Valve Overhaul Kit—Ref 1033.

◆ Included in Carburetor Kit—Ref 121.  
 ◆◆ Included in Carburetor Gasket Set—Ref 977.