

121400 to 121499

Illustrated Parts List

Model Series

121400 to 121499

TYPE NUMBERS

0021, 0022, 0023,
0024, 0033, 0035,
0036, 0039, 0049,
0061, 0064, 0111,
0112, 0118, 0119,
0120, 0121, 0123,
0124, 0126, 0128,
0129, 0130, 0131,
0144, 0145, 0147,
0149, 0150, 0151,
0152, 0153.

TO FIND

**THE CORRECT NUMBER OF THE PART YOU NEED:
FOLLOW THE INSTRUCTIONS BELOW**

- A. Refer to Engine Model, Type and Code Number that is stamped on the blower housing of engine. Engine type numbers such as 0123 01 are listed only as 0123 in most instances. The two digits (01 or 02, etc.) to the right of the space may be required for more accurate parts identification in some instances. Select the Illustrated Parts List covering the correct Model Series and Type Number.
- B. Refer to the Illustrations and compare the original part with Illustration. The number next to the illustration is the Reference Number. Assemblies include all parts shown in frames. All parts shown in assembly frames having individual reference numbers can be purchased separately.
- C. After the Reference Number has been identified, refer to the Numerical text, where Reference and Primary Part Number are listed. **THE PRIMARY PART IS USED ON ALL TYPE NUMBERS EXCEPT THOSE TYPE NUMBERS UNDER "NOTE."**
- D. If a "Note" appears below the Primary Part Number, it means that this part differs from the Primary Part for certain types. If your Type number is listed under "Note," order the part referred to at the "Note."
- E. If your Engine Type Number does not appear after any part number listed under "Note," use the Primary Part Number.
- F. For Engine Type Numbers not covered by this book, check other Parts Lists having the same engine model or contact your source of supply.

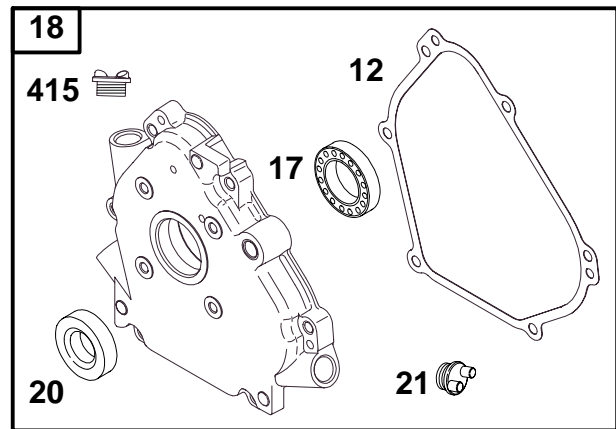
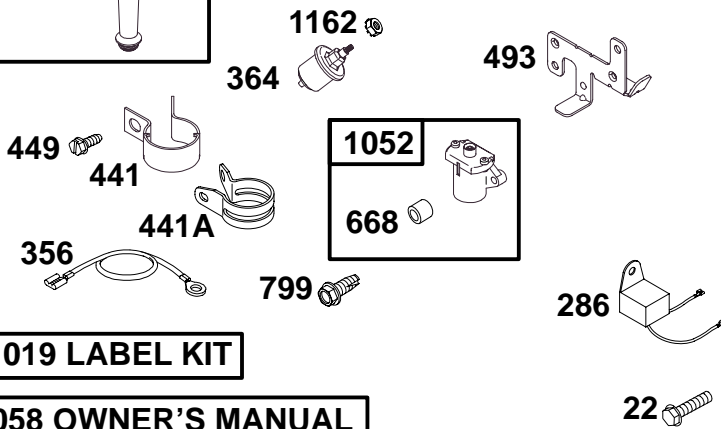
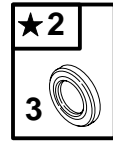
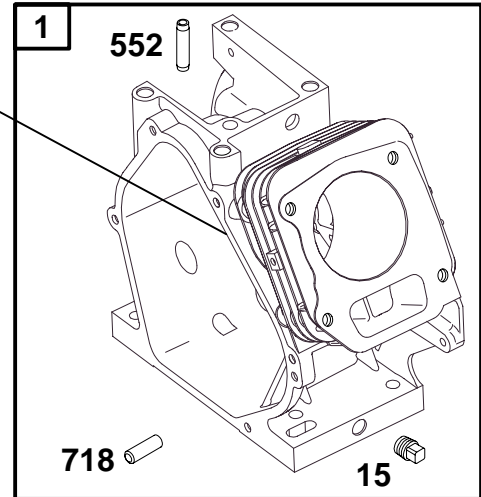
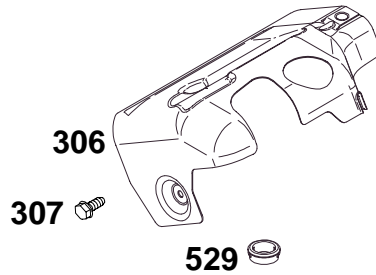
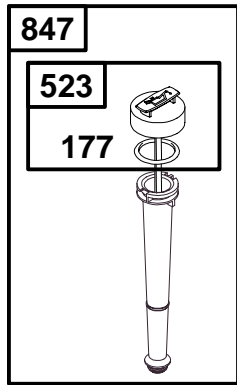
PRINTED IN U.S.A.



COPYRIGHT by BRIGGS & STRATTON CORPORATION
All rights reserved. No part of this material may be reproduced or transmitted, in any form or by any means, electronic or mechanical, including photocopying, recording or by any information storage and retrieval system, without permission in writing from Briggs & Stratton Corporation.

121400 to 121499

★ REQUIRES SPECIAL TOOLS TO INSTALL. SEE REPAIR INSTRUCTION MANUAL.



1019 LABEL KIT

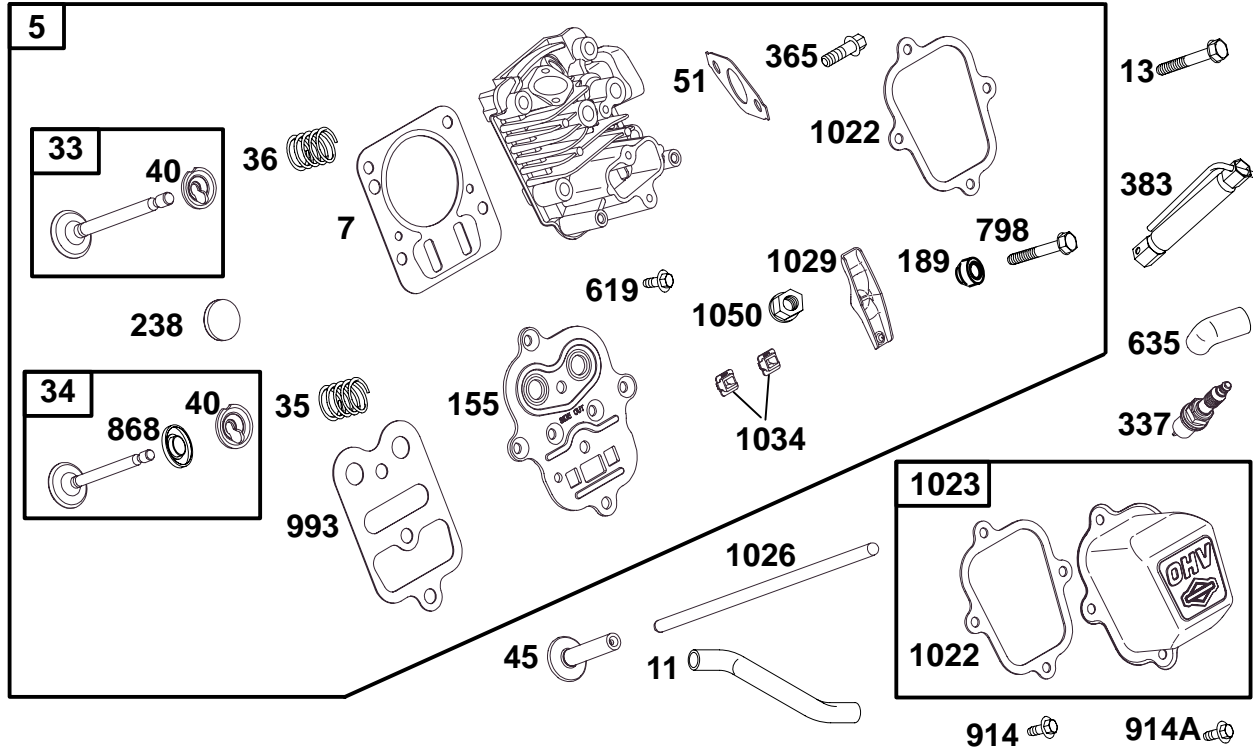
1058 OWNER'S MANUAL

REF. NO.	PART NO.	DESCRIPTION	REF. NO.	PART NO.	DESCRIPTION	REF. NO.	PART NO.	DESCRIPTION
1	690045	Cylinder Assembly	20	★692550	Oil Seal (PTO Side)	441	693616	Oil Fill Bracket
2	399269	Bushing/Seal Kit	21	281658	Oil Fill Cap	441A	694262	Oil Fill Bracket
3	★299819	Oil Seal (Magneto Side)	22	692551	Screw (Crankcase Cover)	449	94929	Screw (Oil Fill Bracket)
12	★692549	Crankcase Gasket	177	280393	O-Ring Seal	493	693599	Mounting Bracket
15	94916	Oil Drain Plug	286	693627	Oil Sensor Module	523	693618	Dipstick
17	692517	Ball Bearing	306	693610	Cylinder Shield (Used After Code Date 98071900).	529	692553	Grommet
18	693605	Crankcase Cover (Used After Code Date 98072600).	307	690345	Screw (Cylinder Shield)	552	692346	Governor Crank Bushing
	693204	Crankcase Cover (Plain Bearing) (Used After Code Date 98072600).			Note	668	693604	Spacer
		Note			692552	693604	693604	Spacer
	690047	Crankcase Cover (Used Before Code Date 98072700).	356	693650	Stop Wire	718	230192	Locating Pin
			364	693607	Oil Plug Terminal	799	693609	Screw (Oil Sensor)
			415	693463	Oil Fill Plug	847	693617	Dipstick/Tube Assembly
						1019	690035	Label Kit
						1052	693805	Oil Sensor
						1058	273700	Owner's Manual
						1162	693649	Nut (Oil Plug Terminal)

★ Included in Gasket Set—Ref. No. 358.
 Δ Included in Valve Overhaul Kit—Ref. No. 1033.

● Included in Carburetor Kit—Ref. No. 121.
 ◆ Included in Carburetor Gasket Set—Ref. No. 977.

121400 to 121499

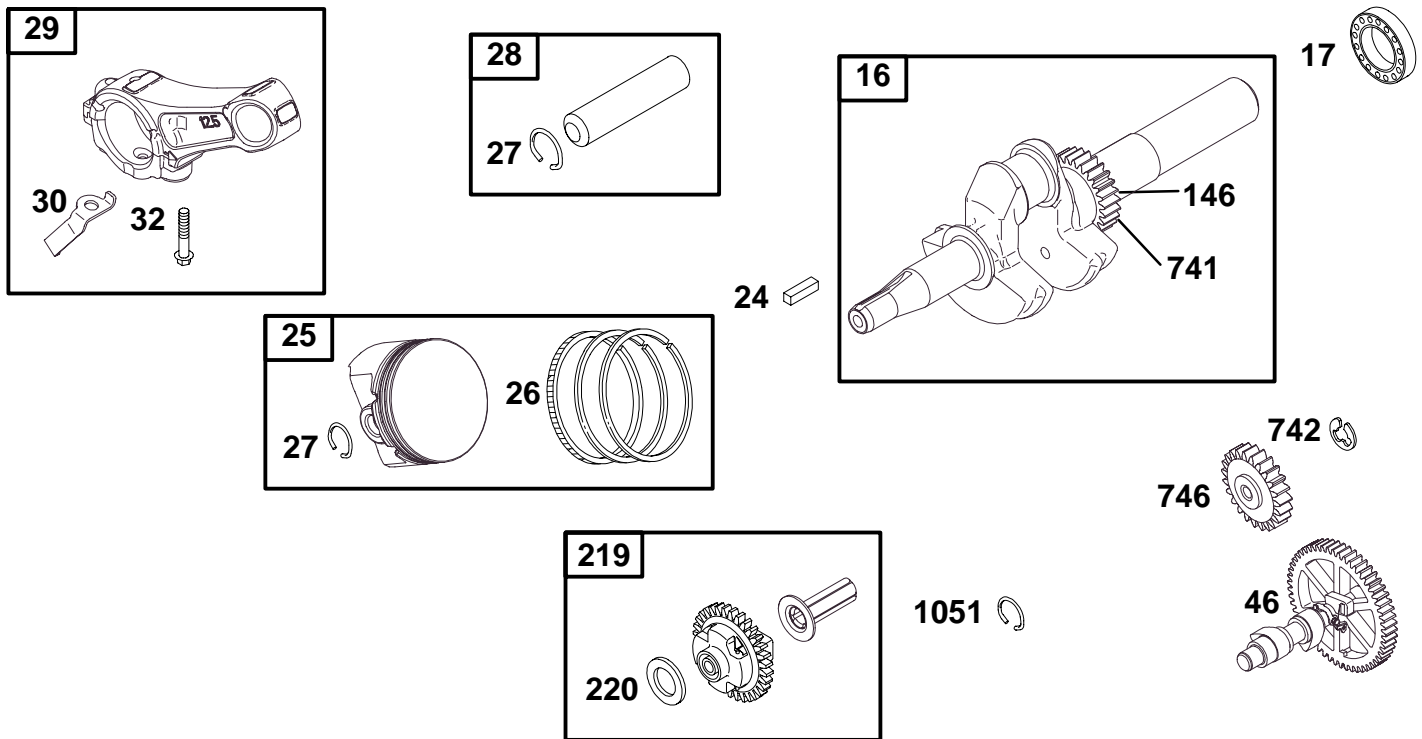


REF. NO.	PART NO.	DESCRIPTION	REF. NO.	PART NO.	DESCRIPTION	REF. NO.	PART NO.	DESCRIPTION																																	
5	693643	Cylinder Head (Used After Code Date 98071900). ———— Note ——— 499922 Cylinder Head (Used Before Code Date 98072000).	13	691137	Screw (Cylinder Head)	914	94786	Screw (Rocker Cover) (7/16" Long)																																	
			33	499642	Exhaust Valve				914A	692557	Screw (Rocker Cover) (3/8" Long)																														
			34	499641	Intake Valve							993	694088	Cylinder Head Plate Gasket																											
			35	691304	Valve Spring (Intake)										1022	691890	Rocker Cover Gasket (Used After Code Date 99012500). ———— Note ——— 273241 Rocker Cover Gasket (Used Before Code Date 99012600).																								
			36	691304	Valve Spring (Exhaust)													1023	499924	Rocker Cover																					
			40	93312	Valve Retainer																1026	693517	Push Rod (Used After Code Date 98061400). ———— Note ——— 692560 Push Rod (Used Before Code Date 98061500).																		
			45	262679	Valve Tappet																			1029	691230	Rocker Arm															
			51	692555	Intake Gasket																						1034	691343	Push Rod Guide												
			155	692556	Cylinder Head Plate																									1050	692558	Nut (Rocker Arm)									
			189	691295	Rocker Arm Ball																												365	692568	Screw (Carburetor)						
238	691300	Valve Cap	383	19374	Sparkplug Wrench																																				
337	491055	Sparkplug				619	691108	Screw (Cylinder Head Plate)																																	
11	693647	Breather Tube Used on Type No(s). 0121, 0123, 0124, 0131, 0144, 0145. ———— Note ——— 692600 Breather Tube Used on Type No(s). 0021, 0022, 0023, 0024, 0035, 0036, 0039, 0061, 0064, 0111, 0112, 0118, 0119, 0120, 0124, 0126, 0129, 0130, 0147, 0149, 0150, 0152.							———— Note ——— 691043 Sparkplug Used on Type No(s). 0144.	365	692568	Screw (Carburetor)	635	805529																						Sparkplug Boot					
															———— Note ——— 691043 Sparkplug Used on Type No(s). 0144.	383	19374																				Sparkplug Wrench	798	692559	Screw (Rocker Arm)	
																		———— Note ——— 691043 Sparkplug Used on Type No(s). 0144.	619	691108																					Screw (Cylinder Head Plate)

★ Included in Gasket Set—Ref. No. 358.
 △ Included in Valve Overhaul Kit—Ref. No. 1033.

● Included in Carburetor Kit—Ref. No. 121.
 ◆ Included in Carburetor Gasket Set—Ref. No. 977.

121400 to 121499

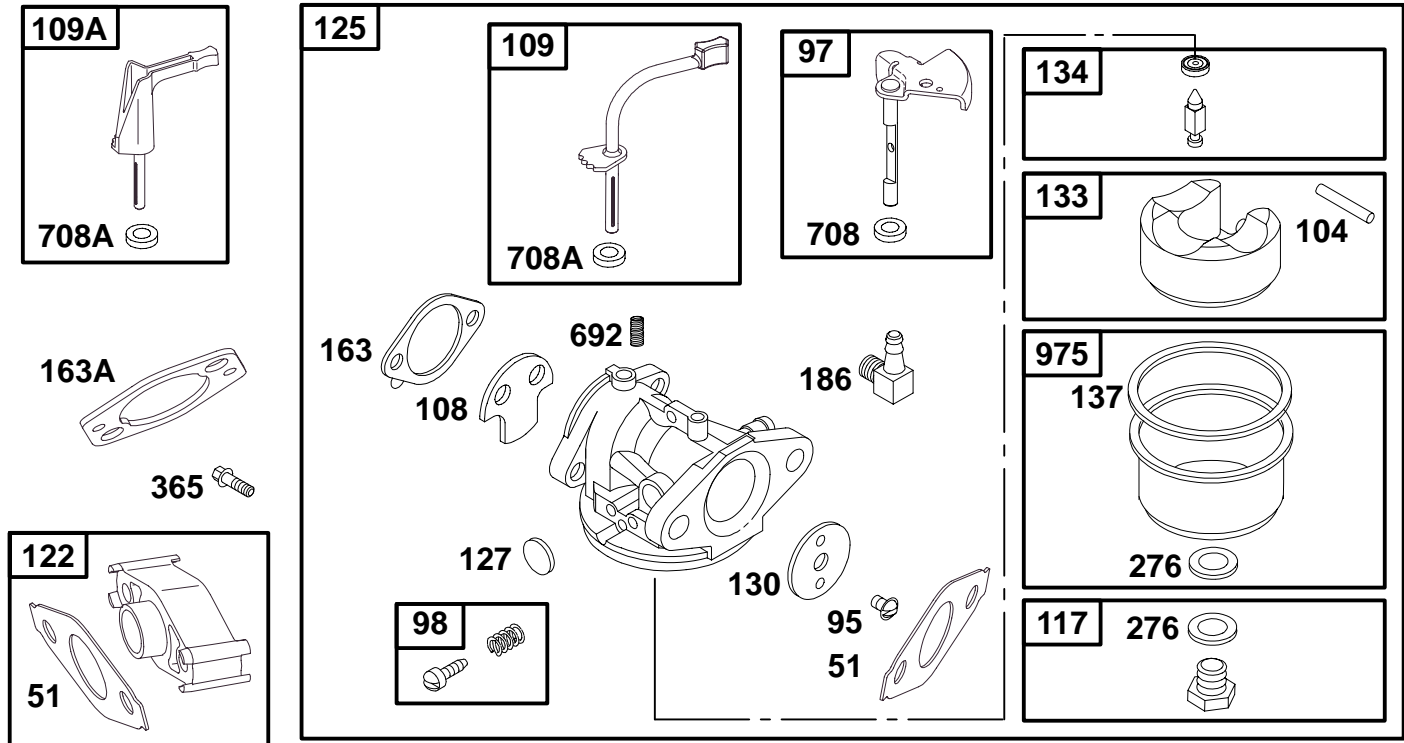


REF. NO.	PART NO.	DESCRIPTION	REF. NO.	PART NO.	DESCRIPTION	REF. NO.	PART NO.	DESCRIPTION
16	693403	Crankshaft (Used After Code Date 98071900). 692561 Crankshaft (Used Before Code Date 98072000). ———— Note ——— 693594 Crankshaft (Used After Code Date 98071900). Used on Type No(s). 0035,0151, 0153. 693595 Crankshaft Used on Type No(s). 0121, 0144. 693596 Crankshaft Used on Type No(s). 0123, 0145.	25	499627	Piston Assy. (Standard) ———— Note ——— 692788 Piston Assy. (.010 O/S) 692789 Piston Assy. (.020 O/S) 692790 Piston Assy. (.030 O/S)	32	94699	Screw (Connecting Rod)
17	692517	Ball Bearing	26	499631	Ring Set (Standard) ———— Note ——— 692785 Ring Set (.010 O/S) 692786 Ring Set (.020 O/S) 692787 Ring Set (.030 O/S)	46	693404	Camshaft (Used After Code Date 98061400). ———— Note ——— 692563 Camshaft (Used Before Code Date 98061500). 146 94388 Timing Key
24	222698	Flywheel Key	27	263190	Piston Pin Lock	219	693578	Governor Gear (Used After Code Date 98072600). ———— Note ——— 492752 Governor Gear (Used Before Code Date 98072700).
			28	499423	Piston Pin	220	221551	Washer (Governor Gear)
			29	690124	Connecting Rod	741	692565	Timing Gear
			30	692562	Connecting Rod Dipper	742	692564	E-Ring Retainer
						746	692566	Idler Gear
						1051	93555	Retaining Ring

★ Included in Gasket Set—Ref. No. 358.
 △ Included in Valve Overhaul Kit—Ref. No. 1033.

● Included in Carburetor Kit—Ref. No. 121.
 ◆ Included in Carburetor Gasket Set—Ref. No. 977.

121400 to 121499



REF. NO.	PART NO.	DESCRIPTION	REF. NO.	PART NO.	DESCRIPTION	REF. NO.	PART NO.	DESCRIPTION
51	692555	Intake Gasket	122	693749	Carburetor Spacer (Used After Code Date 98071900).			694508 Carburetor Used on Type No(s). 0033.
95	94098	Screw (Throttle Valve)			Note	127	694468	Welch Plug
97	690024	Throttle Shaft			690043 Carburetor Spacer (Used Before Code Date 98072000).	130	691181	Throttle Valve
98	398185	Idle Speed Kit	125	690046	Carburetor (Used After Code Date 98071900). Used on Type No(s). 0021, 0022, 0023, 0024, 0035, 0036, 0039, 0049, 0111, 0118, 0128, 0150, 0151, 0152.	133	398187	Carburetor Float
104	691242	Float Hinge Pin			Note	134	691888	Needle/Seat Kit
108	691182	Choke Valve (Used After Code Date 98071900).			693751 Carburetor (Used Before Code Date 98072000).	137	280492	Float Bowl Gasket
		Note			693518 Carburetor (Used After Code Date 98071900).	163	272948	Air Cleaner Gasket
		692567 Choke Valve (Used Before Code Date 98072000).			Used on Type No(s). 0121, 0123, 0124, 0131, 0144, 0145.	163A	693458	Air Cleaner Gasket Used on Type No(s). 0118, 0121, 0123, 0124, 0131, 0144, 0145.
109	690023	Choke Shaft			Note	186	493496	Hose Connector
109A	693628	Choke Shaft Used on Type No(s). 0121, 0123, 0124, 0131, 0144, 0145.			497610 Main Jet (Used Before Code Date 98072000).	276	271716	Sealing Washer
		Note				365	692568	Screw (Carburetor)
117	690048	Main Jet (Standard) (Used After Code Date 98071900).				633	693867	Choke Shaft Seal
		Note				692	690572	Detent Spring (Choke)
		497610 Main Jet (Used Before Code Date 98072000).				708	691321	Dust Seal (Throttle Shaft)
						975	493640	Float Bowl

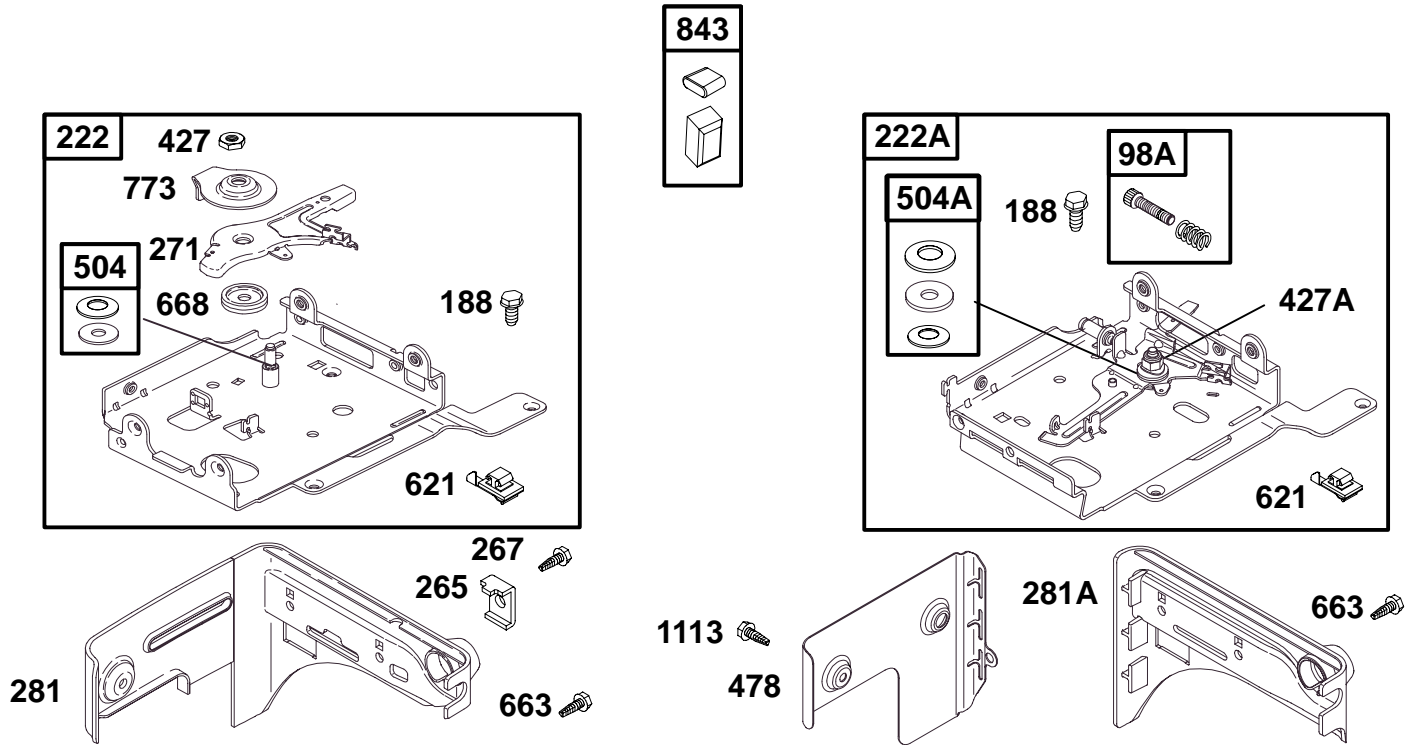
★ Included in Gasket Set—Ref. No. 358.

△ Included in Valve Overhaul Kit—Ref. No. 1033.

● Included in Carburetor Kit—Ref. No. 121.

◆ Included in Carburetor Gasket Set—Ref. No. 977.

121400 to 121499



REF. NO.	PART NO.	DESCRIPTION	REF. NO.	PART NO.	DESCRIPTION	REF. NO.	PART NO.	DESCRIPTION
98A	493280	Idle Speed Kit	281	694252	Control Panel (Used After Code Date 99070400).	478	693709	Panel (Used Before Code Date 99070500).
188	94644	Screw (Control Bracket)	281A	693407	Control Panel (Used Before Code Date 99070500).	504	694254	Friction Washer Set (Used After Code Date 99070400).
222	694253	Control Bracket (Used After Code Date 99070400).	427	694255	Nut (Control Bracket) (Used After Code Date 99070400).	504A	495659	Friction Washer Set (Used Before Code Date 99070500).
222A	693405	Control Bracket (Used Before Code Date 99070500).	427A	692575	Nut (Control Bracket) (Used Before Code Date 99070500).	621	692310	Stop Switch
265	221535	Casing Clamp				663	692577	Screw (Control Panel)
267	692577	Screw (Casing Clamp)				668	694257	Spacer
271	694256	Control Lever (Used After Code Date 99070400).				773	694258	Retainer
						843	694061	Lever Sleeve
						1113	692577	Screw (Panel)

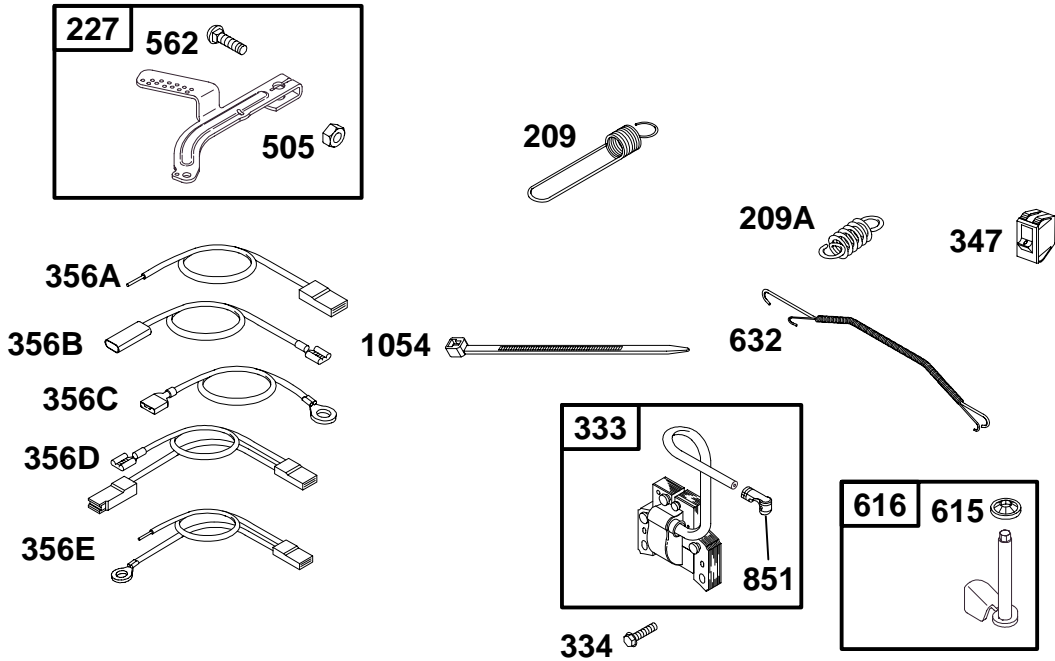
★ Included in Gasket Set—Ref. No. 358.

△ Included in Valve Overhaul Kit—Ref. No. 1033.

● Included in Carburetor Kit—Ref. No. 121.

◆ Included in Carburetor Gasket Set—Ref. No. 977.

121400 to 121499

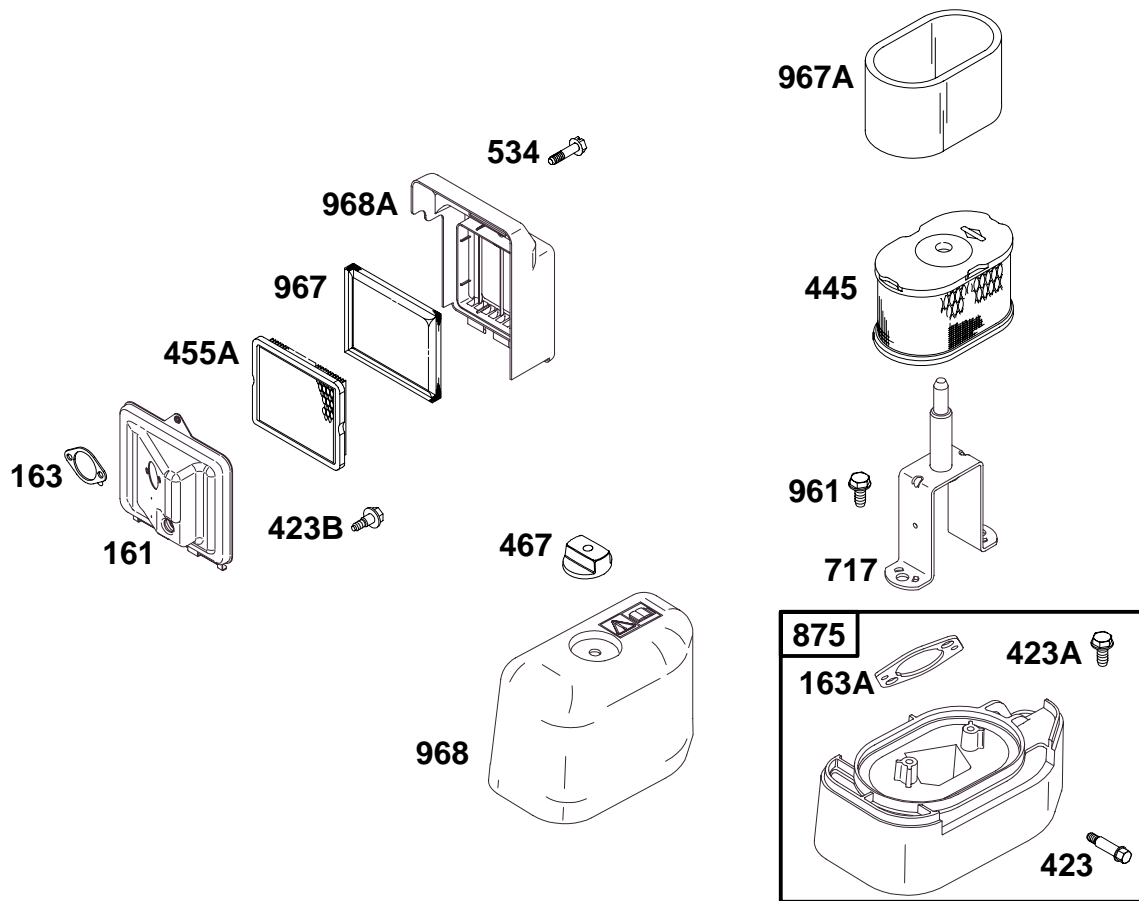


REF. NO.	PART NO.	DESCRIPTION	REF. NO.	PART NO.	DESCRIPTION	REF. NO.	PART NO.	DESCRIPTION
209	692571	Governor Spring Note 693710 Governor Spring Used on Type No(s). 0118, 0124. 693206 Governor Spring Used on Type No(s). 0023, 0035, 0151, 0153.	347	693623	Rocker Switch (Light) Used on Type No(s). 0126, 0129, 0130 0151, 0153. Note 692599 Rocker Switch Used on Type No(s). 0033, 0039, 0112, 0120, 0123, 0128, 0147, 0149.	505	231082	Nut (Governor Lever)
209A	261306	Governor Spring	356A	692390	Stop Wire	562	94852	Bolt (Governor Lever)
227	692573	Governor Control Lever	356B	692602	Stop Wire	615	692576	Governor Retainer
333	692605	Magneto Armature	356C	692603	Stop Wire	616	692547	Governor Crank
334	94731	Screw (Magneto Armature)	356D	693651	Stop Wire	632	693408	Spring/Link– Mechanical Governor (Used After Code Date 98071900). Note 692653 Spring/Link– Mechanical Governor (Used Before Code Date 98072000).
			356E	398808	Stop Wire	851	493880	Cable Terminal
						1054	280275	Cable Tie

★ Included in Gasket Set–Ref. No. 358.
 Δ Included in Valve Overhaul Kit–Ref. No. 1033.

● Included in Carburetor Kit–Ref. No. 121.
 ◆ Included in Carburetor Gasket Set–Ref. No. 977.

121400 to 121499



REF. NO.	PART NO.	DESCRIPTION	REF. NO.	PART NO.	DESCRIPTION	REF. NO.	PART NO.	DESCRIPTION
161	692579	Air Cleaner Base	445	690610	A/C Cartridge Filter	967	493537	Air Filter (Pre-Filter)
163	272948	Air Cleaner Gasket	455A	491588	A/C Cartridge Filter	967A	273356	Air Filter (Pre-Filter)
163A	693458	Air Cleaner Gasket	467	493903	Air Cleaner Knob	968	693460	Air Cleaner Cover
423	690349	Screw (Air Cleaner Base)	534	692583	Screw (Air Cleaner Cover)	968A	692584	Air Cleaner Cover
423A	94929	Screw (Air Cleaner Base)	717	693462	Air Cleaner Bracket			
423B	690370	Screw (Air Cleaner Base)	875	693459	Air Cleaner Base			
			961	693598	Screw (Air Cleaner Bracket)			

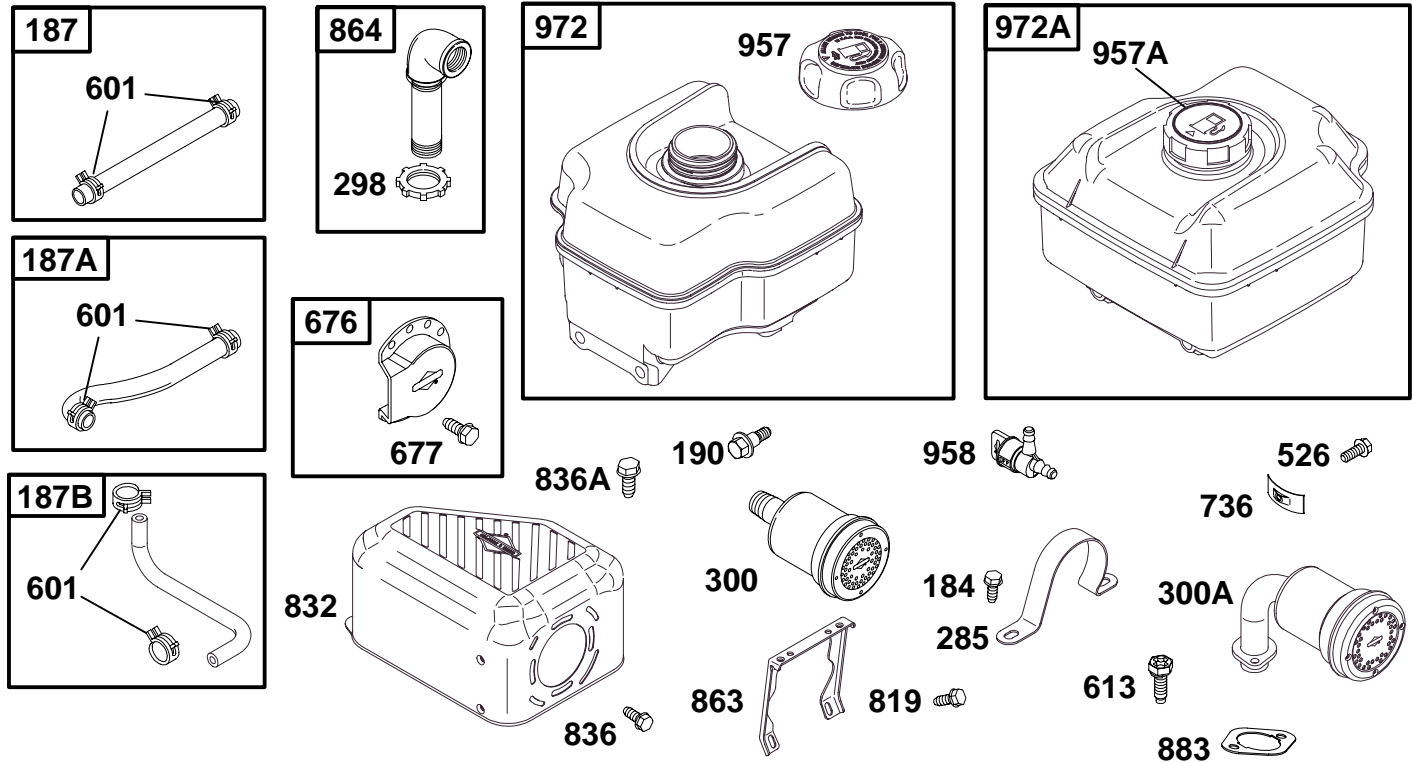
★ Included in Gasket Set-Ref. No. 358.

△ Included in Valve Overhaul Kit-Ref. No. 1033.

● Included in Carburetor Kit-Ref. No. 121.

◆ Included in Carburetor Gasket Set-Ref. No. 977.

121400 to 121499



REF. NO.	PART NO.	DESCRIPTION	REF. NO.	PART NO.	DESCRIPTION	REF. NO.	PART NO.	DESCRIPTION	
184	94914	Screw (Muffler Strap)	677	94896	Screw (Muffler Deflector)	863	692596	Muffler Bracket (Used Before Code Date 98072000).	
187	298049	Fuel Line (Cut to Length)	736	693560	Nut Clip (Used Before Code Date 99070500).	864	692548	Muffler Adapter	
187A	692601	Fuel Line (Molded)	819	692598	Screw (Muffler Bracket)	883	272309	Exhaust Gasket	
187B	693401	Fuel Line (Molded)	832	693583	Muffler Guard (Used After Code Date 98071900).	957	694269	Fuel Tank Cap (Used After Code Date 99070400).	
190	692127	Screw (Fuel Tank)			Note	957A	493988	Fuel Tank Cap (Used Before Code Date 99070500).	
285	692595	Muffler Strap			692585	Muffler Guard (Used Before Code Date 98072000).	958	692586	Shutoff Valve
298	261409	Muffler/Elbow Locknut	836	94896	Screw (Muffler Guard)	972	694260	Fuel Tank (Used After Code Date 99070400).	
300	693593	Exhaust Muffler (Used After Code Date 98071900).	836A	693624	Screw (Muffler Guard) (Used After Code Date 98071900).	972A	692587	Fuel Tank (Used Before Code Date 99070500).	
300A	692580	Exhaust Muffler (Used Before Code Date 98072000).			Note				
526	94644	Screw (Nut Clip) (Used Before Code Date 99070500).			94512	Screw (Muffler Guard) (Used Before Code Date 98072000).			
601	95162	Hose Clamp							
613	94706	Screw (Muffler Mounting)							
676	393757	Muffler Deflector							

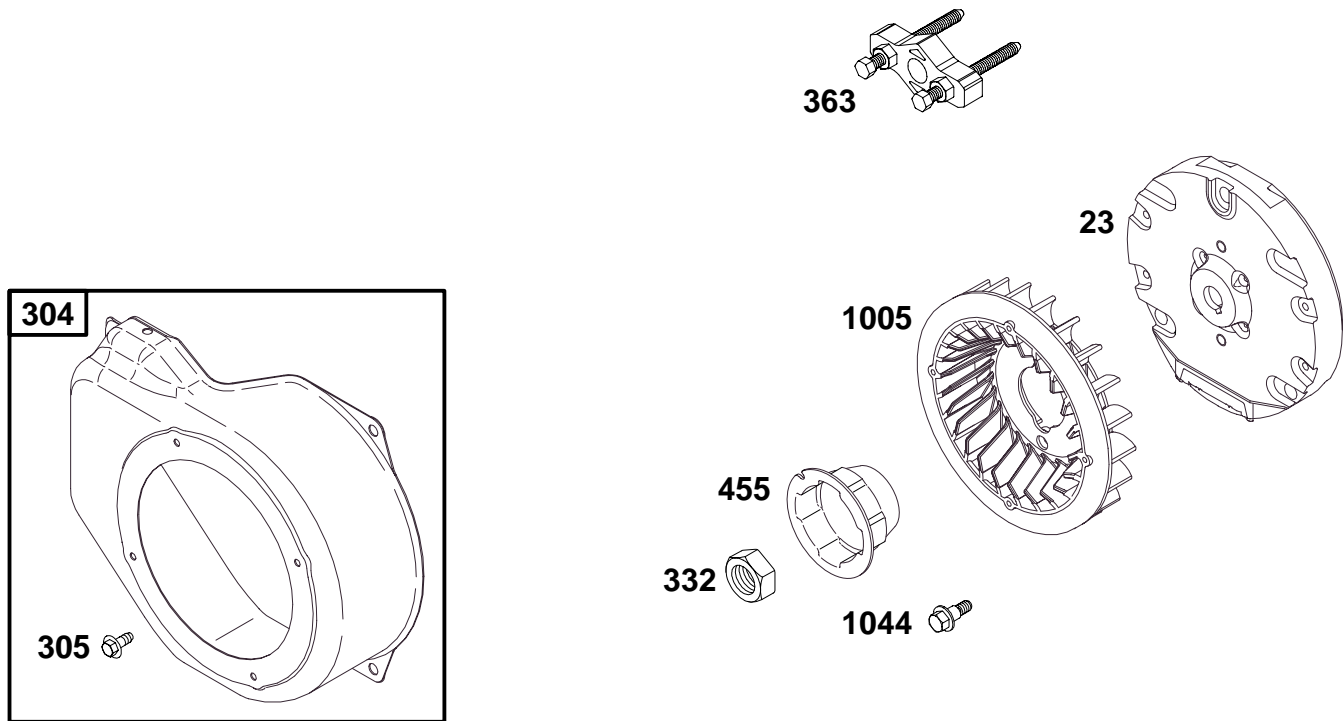
★ Included in Gasket Set—Ref. No. 358.

△ Included in Valve Overhaul Kit—Ref. No. 1033.

● Included in Carburetor Kit—Ref. No. 121.

◆ Included in Carburetor Gasket Set—Ref. No. 977.

121400 to 121499



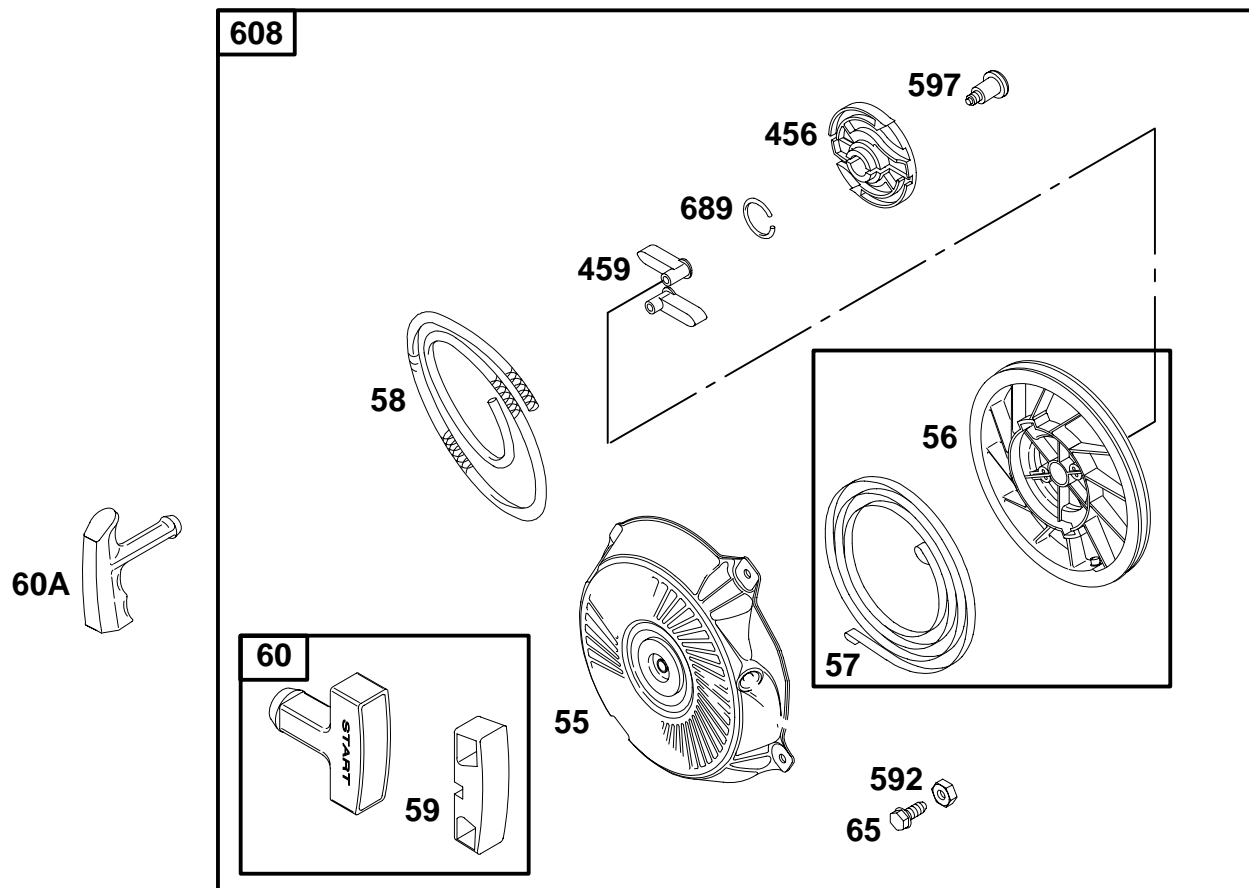
1036 EMISSIONS LABEL

REF. NO.	PART NO.	DESCRIPTION	REF. NO.	PART NO.	DESCRIPTION	REF. NO.	PART NO.	DESCRIPTION
23	692987	Flywheel	305	690960	Screw (Blower Housing)	1036	694451	Emissions Label (Used After Code Date 98123100).
304	693621	Blower Housing (Used After Code Date 98071900).	332	94877	Nut (Flywheel)			Note
		Note	363	19069	Flywheel Puller			693203 Emissions Label (Used Before Code Date 99010100).
		692589 Blower Housing (Used Before Code Date 98072000).	455	692591	Flywheel Cup	1044	692590	Screw (Flywheel)
			1005	692592	Flywheel Fan			

★ Included in Gasket Set—Ref. No. 358.
 Δ Included in Valve Overhaul Kit—Ref. No. 1033.

● Included in Carburetor Kit—Ref. No. 121.
 ◆ Included in Carburetor Gasket Set—Ref. No. 977.

121400 to 121499

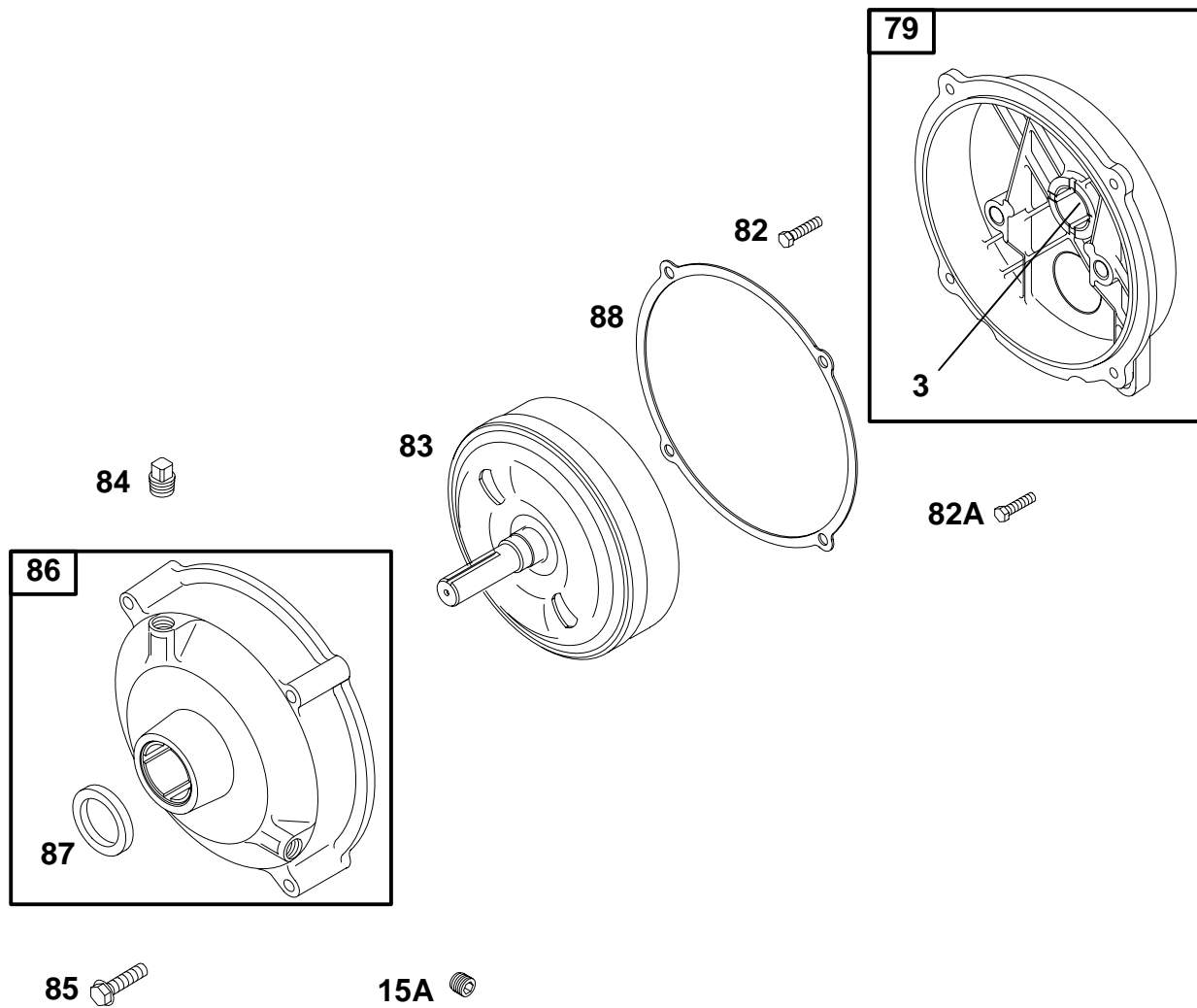


REF. NO.	PART NO.	DESCRIPTION	REF. NO.	PART NO.	DESCRIPTION	REF. NO.	PART NO.	DESCRIPTION
55	691422	Rewind Starter Housing	59	805957	Grip Insert	60A	281434	Starter Rope Grip
56	498144	Starter Pulley	60	715257	Starter Rope Grip (Used After Code Date 98071900).	65	94904	Screw (Rewind Starter)
57	498144	Starter Pulley			Note	456	281503	Pawl Friction Plate
58	693389	Starter Rope (Cut to Required Length) (Used After Code Date 98071900).			393152 Starter Rope Grip (Used Before Code Date 98072000).	459	281505	Ratchet Pawl
		Note				592	94908	Nut (Rewind Starter)
		280399 Starter Rope (Cut to Required Length) (Used Before Code Date 98072000).				597	94943	Screw (Pawl Friction Plate)
						608	693394	Rewind Starter
						689	263073	Friction Spring

★ Included in Gasket Set—Ref. No. 358.
 Δ Included in Valve Overhaul Kit—Ref. No. 1033.

● Included in Carburetor Kit—Ref. No. 121.
 ◆ Included in Carburetor Gasket Set—Ref. No. 977.

121400 to 121499

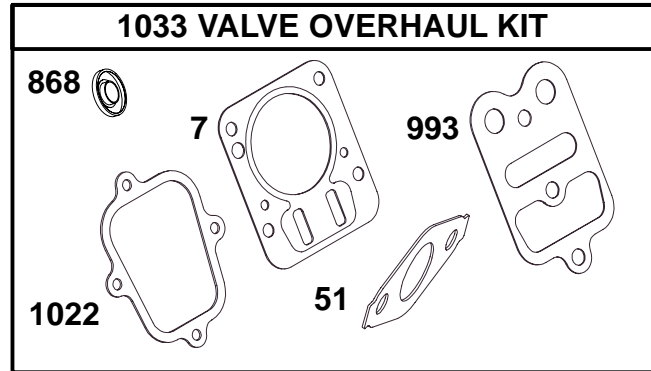
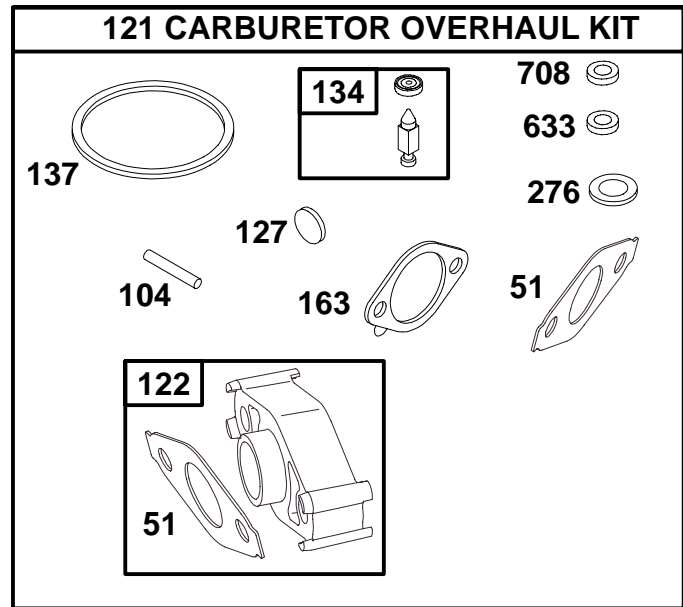
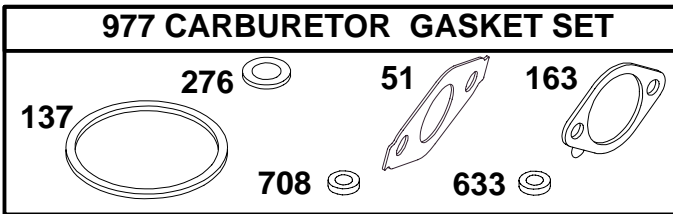
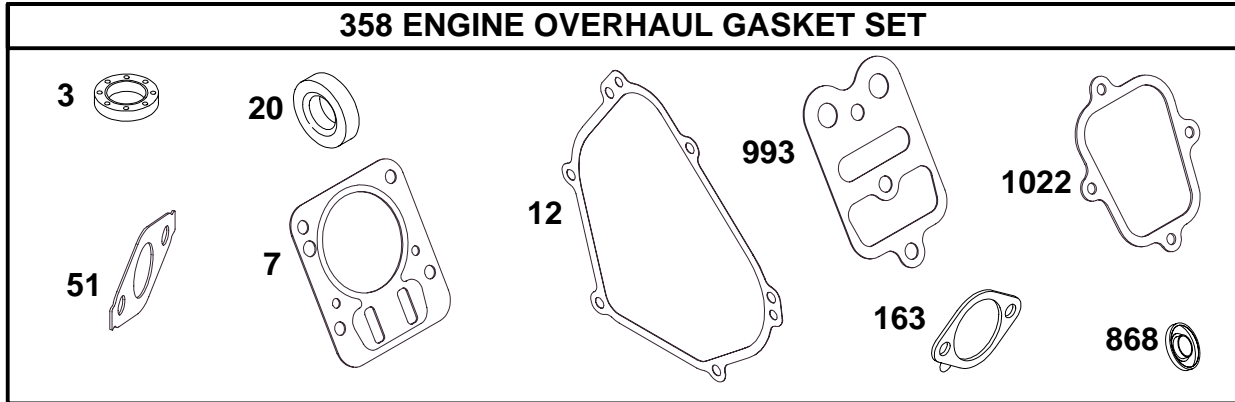


REF. NO.	PART NO.	DESCRIPTION	REF. NO.	PART NO.	DESCRIPTION	REF. NO.	PART NO.	DESCRIPTION
3	★299819	Oil Seal	82A	691122	Screw (Gear Reduction Case) (1 1/2" Long)	85	691117	Screw (Gear Cover to Gear Reduction)
15A	94886	Oil Drain Plug	83	690374	Auxiliary Drive Shaft	86	690608	Gear Cover Assembly
79	694511	Gear Reduction Case	84	691121	Breather Plug	87	19011	Gear Reduction Oil Seal
82	690369	Screw (Gear Reduction Case) (7/8" Long)				88	27313	Gear Reduction Cover Gasket

★ Included in Gasket Set—Ref. No. 358.
 Δ Included in Valve Overhaul Kit—Ref. No. 1033.

● Included in Carburetor Kit—Ref. No. 121.
 ◆ Included in Carburetor Gasket Set—Ref. No. 977.

121400 to 121499



REF. NO.	PART NO.	DESCRIPTION	REF. NO.	PART NO.	DESCRIPTION	REF. NO.	PART NO.	DESCRIPTION
3	★299819	Oil Seal (Magneto Side)	121	690032	Carburetor Overhaul Kit	633	◆693867	Choke Shaft Seal
7	★∅273240	Cylinder Head Gasket (Used After Code Date 99012500).	122	◆693749	Carburetor Spacer (Used After Code Date 98071900).	708	◆691321	Dust Seal (Throttle Shaft)
		Note			Note			
		★∅273489 Cylinder Head Gasket (Used Before Code Date 99012600).			◆690043 Carburetor Spacer (Used Before Code Date 98072000).	868	★∅498592	Valve Seal
12	★692549	Crankcase Gasket	127	◆694468	Welch Plug	977	690033	Carburetor Gasket Set
20	★692550	Oil Seal (PTO Side)	134	◆398188	Needle/Seat Kit	993	★∅694088	Cylinder Head Plate Gasket
51	◆◆∅692555	Intake Gasket	137	◆◆280492	Float Bowl Gasket	1022	★∅691890	Rocker Cover Gasket (Used After Code Date 99012500).
104	◆691242	Float Hinge Pin	163	◆◆272948	Air Cleaner Gasket			Note
			276	◆◆271716	Sealing Washer			★∅273241 Rocker Cover Gasket (Used Before Code Date 99012600).
			358	690031	Engine Gasket Set	1033	690034	Valve Overhaul Kit

★ Included in Gasket Set—Ref. No. 358.

△ Included in Valve Overhaul Kit—Ref. No. 1033.

● Included in Carburetor Kit—Ref. No. 121.

◆ Included in Carburetor Gasket Set—Ref. No. 977.