

# 120400 to 120499

## Illustrated Parts List Model Series 120400 to 120499

### TYPE NUMBERS

0036, 0101, 0105,  
0111, 0113, 0119,  
0120, 0121.

### TO FIND

### THE CORRECT NUMBER OF THE PART YOU NEED: FOLLOW THE INSTRUCTIONS BELOW

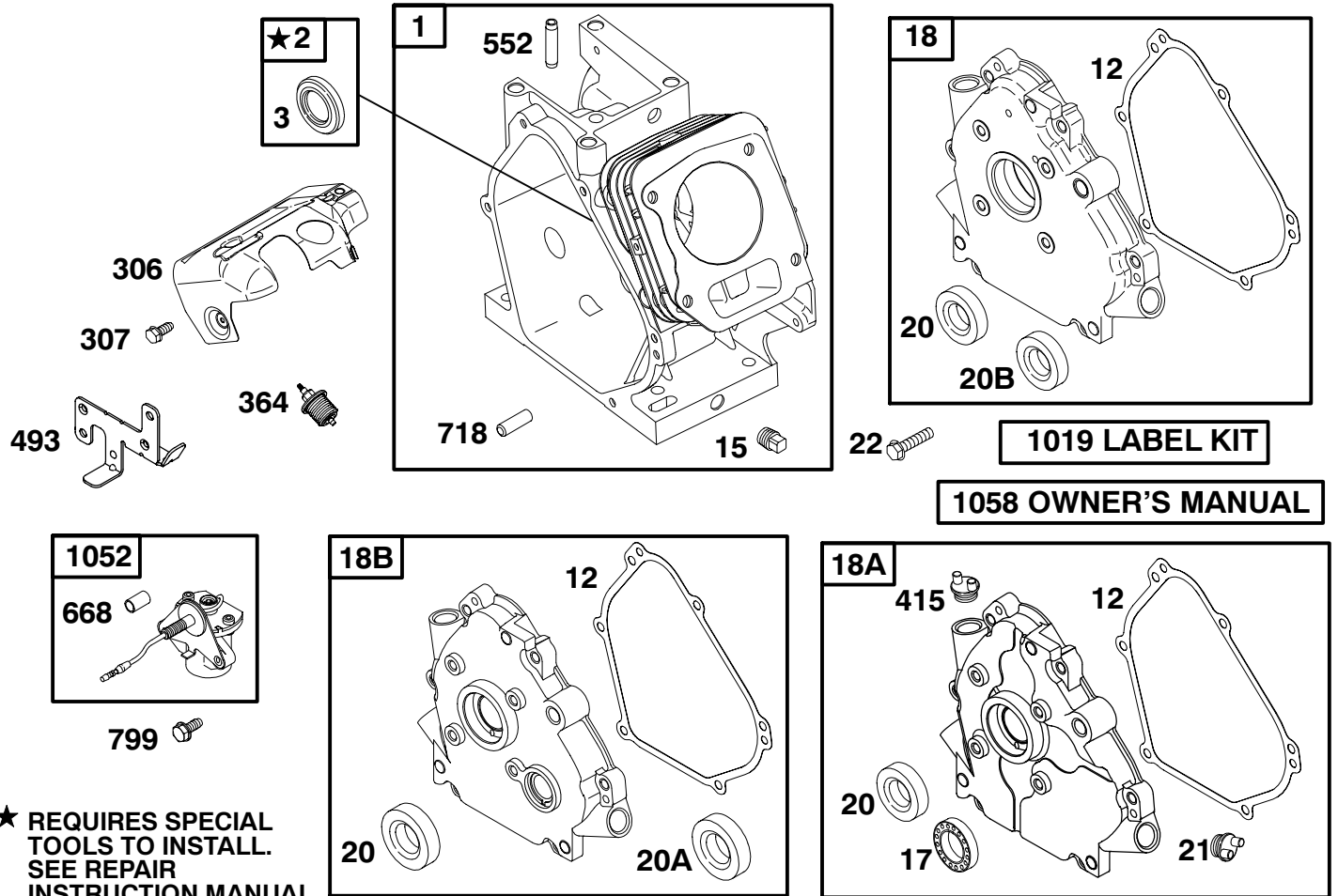
- A. Refer to Engine Model, Type and Code Number that is stamped on the blower housing of engine. Engine type numbers such as 0123 01 are listed only as 0123 in most instances. The two digits (01 or 02, etc.) to the right of the space may be required for more accurate parts identification in some instances. Select the Illustrated Parts List covering the correct Model Series and Type Number.
- B. Refer to the Illustrations and compare the original part with Illustration. The number next to the illustration is the Reference Number. Assemblies include all parts shown in frames. All parts shown in assembly frames having individual reference numbers can be purchased separately.
- C. After the Reference Number has been identified, refer to the Numerical text, where Reference and Primary Part Number are listed. **THE PRIMARY PART IS USED ON ALL TYPE NUMBERS EXCEPT THOSE TYPE NUMBERS UNDER "NOTE."**
- D. If a "Note" appears below the Primary Part Number, it means that this part differs from the Primary Part for certain types. If your Type number is listed under "Note," order the part referred to at the "Note."
- E. If your Engine Type Number does not appear after any part number listed under "Note," use the Primary Part Number.
- F. For Engine Type Numbers not covered by this book, check other Parts Lists having the same engine model or contact your source of supply.

PRINTED IN U.S.A.



COPYRIGHT by BRIGGS & STRATTON CORPORATION  
All rights reserved. No part of this material may be reproduced or transmitted, in any form or by any means, electronic or mechanical, including photocopying, recording or by any information storage and retrieval system, without permission in writing from Briggs & Stratton Corporation.

# 120400 to 120499



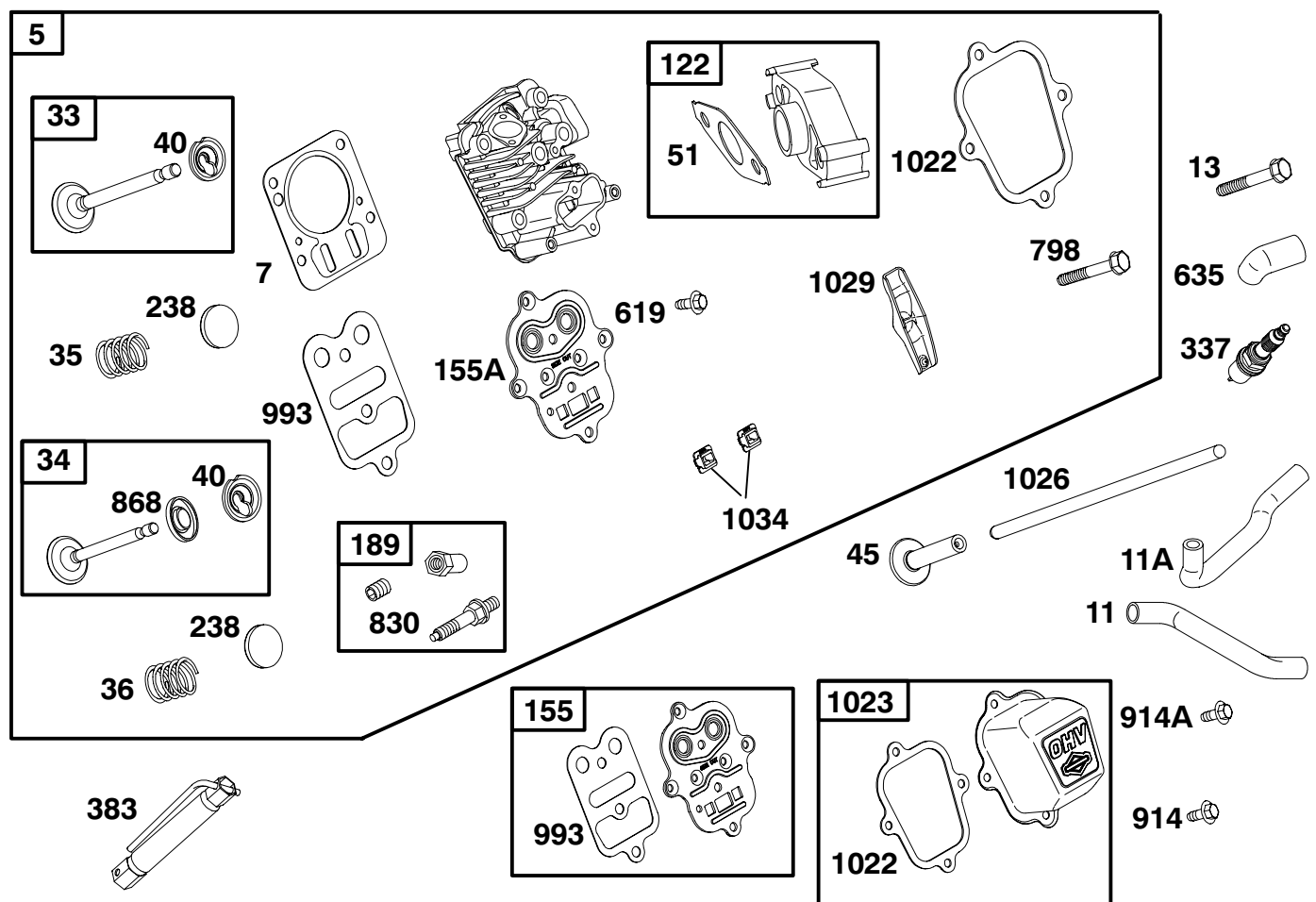
★ **REQUIRES SPECIAL TOOLS TO INSTALL. SEE REPAIR INSTRUCTION MANUAL.**

REF. NO.	PART NO.	DESCRIPTION	REF. NO.	PART NO.	DESCRIPTION	REF. NO.	PART NO.	DESCRIPTION
1	693811	Cylinder Assembly	20	★692550	Seal-Oil (PTO Side, 3/16" THK)	493	693599	Bracket-Mounting Used on Type No(s). 0120.
2	399269	Kit-Bushing/Seal (Magneto Side)	20A	★391484	Seal-Oil (PTO Side)	552	692346	Bushing-Governor Crank
3	★299819	Seal-Oil (Magneto Side)	20B	★694171	Seal-Oil (PTO Side, 5/16" THK) Used on Type No(s). 0120.	668	693604	Spacer
12	★692549	Gasket-Crankcase	21	281658	Cap-Oil Fill	718	230192	Pin-Locating
15	94916	Plug-Oil Drain	22	692551	Screw (Crankcase Cover)	799	693609	Screw (Oil Sensor)
		----- Note -----				1019	694852	Kit-Label (Used After Code Date 97082700.
		691686 Plug-Oil Drain Used on Type No(s). 0121.						----- Note -----
17	692517	Bearing-Ball	306	693610	Shield-Cylinder			690035 Kit-Label (Used Before Code Date 97082800).
18	693204	Cover-Crankcase	307	690345	Screw (Cylinder Shield)	1052	693805	Sensor-Oil
18A	693605	Cover-Crankcase Used on Type No(s). 0036.	364	693607	Terminal-Oil Plug Used on Type No(s). 0120.	1058	274781	Owner's Manual (Emission Engines)
18B	694833	Cover-Crankcase Used on Type No(s). 0119.	415	693463	Plug			

★ Included in Engine Gasket Set-Ref. No. 358.  
 Included in Valve Gasket Set-Ref. No. 1095.

● Included in Carburetor Overhaul Kit-Ref. No. 121.  
 ◆ Included in Carburetor Gasket Set-Ref. No. 977.

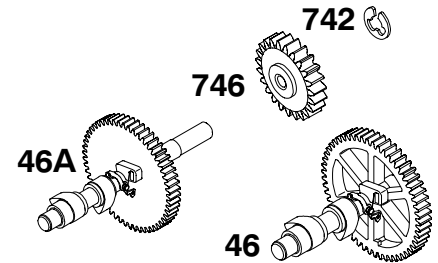
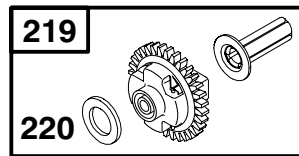
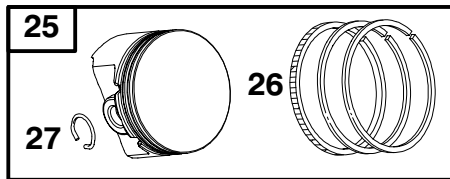
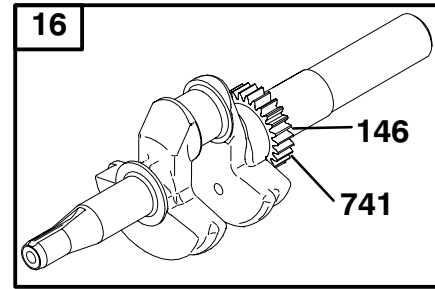
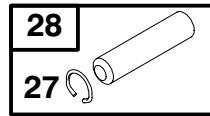
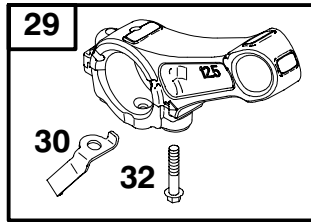
# 120400 to 120499



REF. NO.	PART NO.	DESCRIPTION	REF. NO.	PART NO.	DESCRIPTION	REF. NO.	PART NO.	DESCRIPTION
5	693643	Head-Cylinder	36	691304	Spring-Valve (Exhaust)	798	692559	Screw (Rocker Arm)
7	★ 695166	Gasket-Cylinder Head (Used After Code Date 99113000). ----- Note ----- ★ 273489 Gasket-Cylinder Head (Used Before Code Date 99120100).	40	93312	Retainer-Valve	830	694544	Stud (Rocker Arm)
11	692600	Tube-Breather (Flat Panel Air Cleaner)	45	262679	Tappet-Valve	868	★ 498592	Seal-Valve
11A	693647	Tube-Breather (High Mount Air Cleaner)	51	★♦ 692555	Gasket-Intake (2 Required)	914	94786	Screw (Rocker Cover) (7/16" Long)
13	691137	Screw (Cylinder Head)	122	● 693749	Spacer-Carburetor	914A	692557	Screw (Rocker Cover) (3/8" Long)
33	499642	Valve-Exhaust	155	695168	Plate-Cylinder Head (Used After Code Date 99113000).	993	★ 691892	Gasket-Cylinder Head Plate
34	499641	Valve-Intake	155A	692556	Plate-Cylinder Head (Used Before Code Date 99120100).	1022	★ 691890	Gasket-Rocker Cover
35	691304	Spring-Valve (Intake)	189	694543	Rocker Arm Ball	1023	499924	Cover-Rocker Arm
36	691304	Spring-Valve (Exhaust)	238	691300	Cap-Valve	1026	693517	Rod-Push
383	19374	Wrench-Sparkplug	337	491055	Sparkplug	1029	691230	Arm-Rocker
			619	691108	Screw (Cylinder Head Plate)	1034	691343	Guide-Push Rod
			635	805529	Boot-Sparkplug			

★ Included in Engine Gasket Set-Ref. No. 358.  
Included in Valve Gasket Set-Ref. No. 1095.

● Included in Carburetor Overhaul Kit-Ref. No. 121.  
♦ Included in Carburetor Gasket Set-Ref. No. 977.

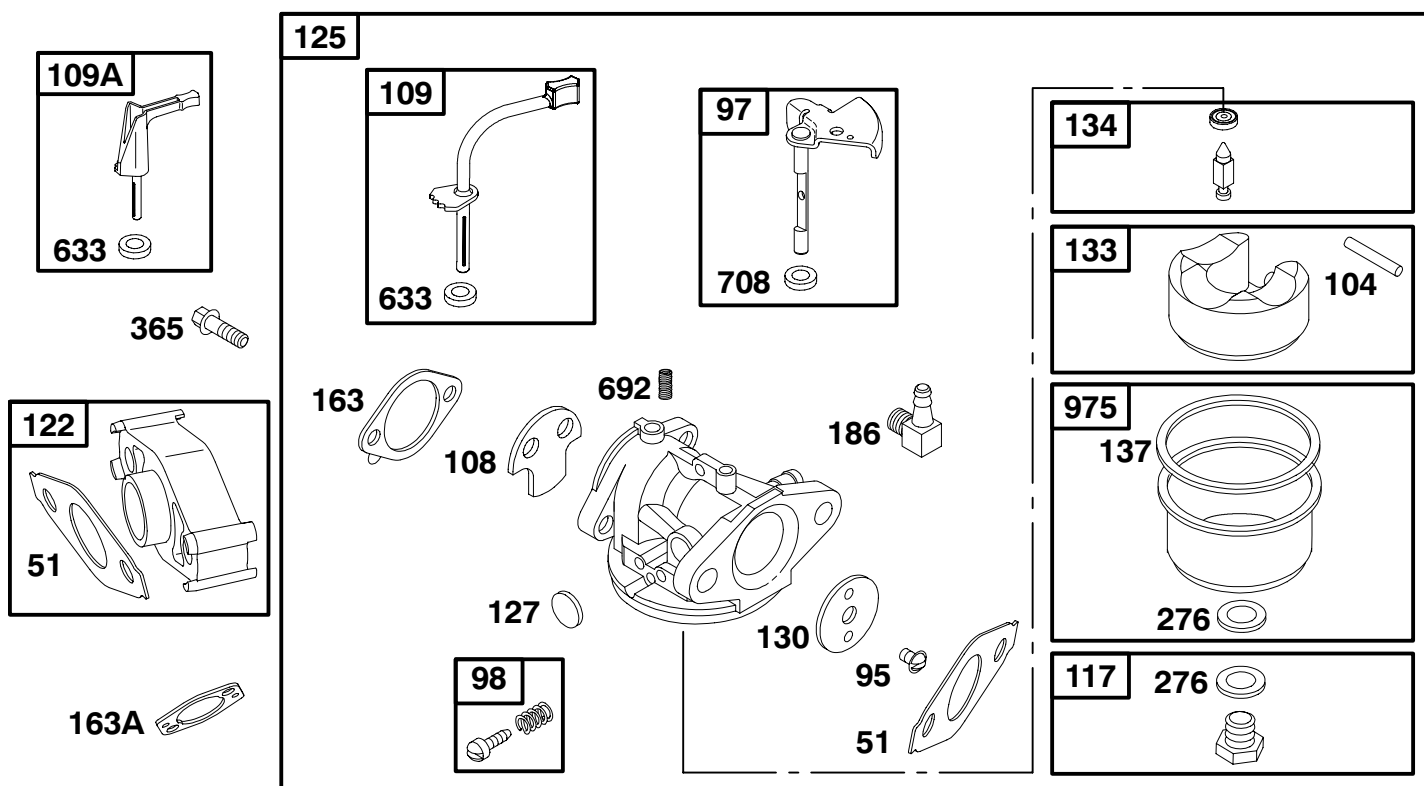


REF. NO.	PART NO.	DESCRIPTION	REF. NO.	PART NO.	DESCRIPTION	REF. NO.	PART NO.	DESCRIPTION
16	693887	Crankshaft ----- <b>Note</b> ----- <b>693403</b> Crankshaft Used on Type No(s). 0036. <b>695237</b> Crankshaft Used on Type No(s). 0120.	26	499631	Ring Set (Standard) ----- <b>Note</b> ----- <b>692785</b> Ring Set (.010" O.S.) <b>692786</b> Ring Set (.020" O.S.) <b>692787</b> Ring Set (.030" O.S.)	32A	695759	Screw (Connecting Rod) (Used After Code Date 00042200).
24	222698	Key-Flywheel	27	263190	Lock-Piston Pin	46	693404	Camshaft
25	690021	Piston Assembly-Std (Standard) ----- <b>Note</b> ----- <b>694167</b> Piston Assembly (.010" O.S.) <b>694168</b> Piston Assembly (.020" O.S.) <b>694169</b> Piston Assembly (.030" O.S.)	28	499423	Pin-Piston	46A	694831	Camshaft
			29	690124	Rod-Connecting	146	94388	Key-Timing
			30	692562	Dipper-Connecting Rod	219	693578	Gear-Governor
			32	94699	Screw (Connecting Rod)	220	221551	Washer (Governor Gear)
						741	692565	Gear-Timing
						742	692564	Retainer-E Ring
						746	692566	Gear-Idler

★ Included in Engine Gasket Set-Ref. No. 358.  
Included in Valve Gasket Set-Ref. No. 1095.

● Included in Carburetor Overhaul Kit-Ref. No. 121.  
◆ Included in Carburetor Gasket Set-Ref. No. 977.

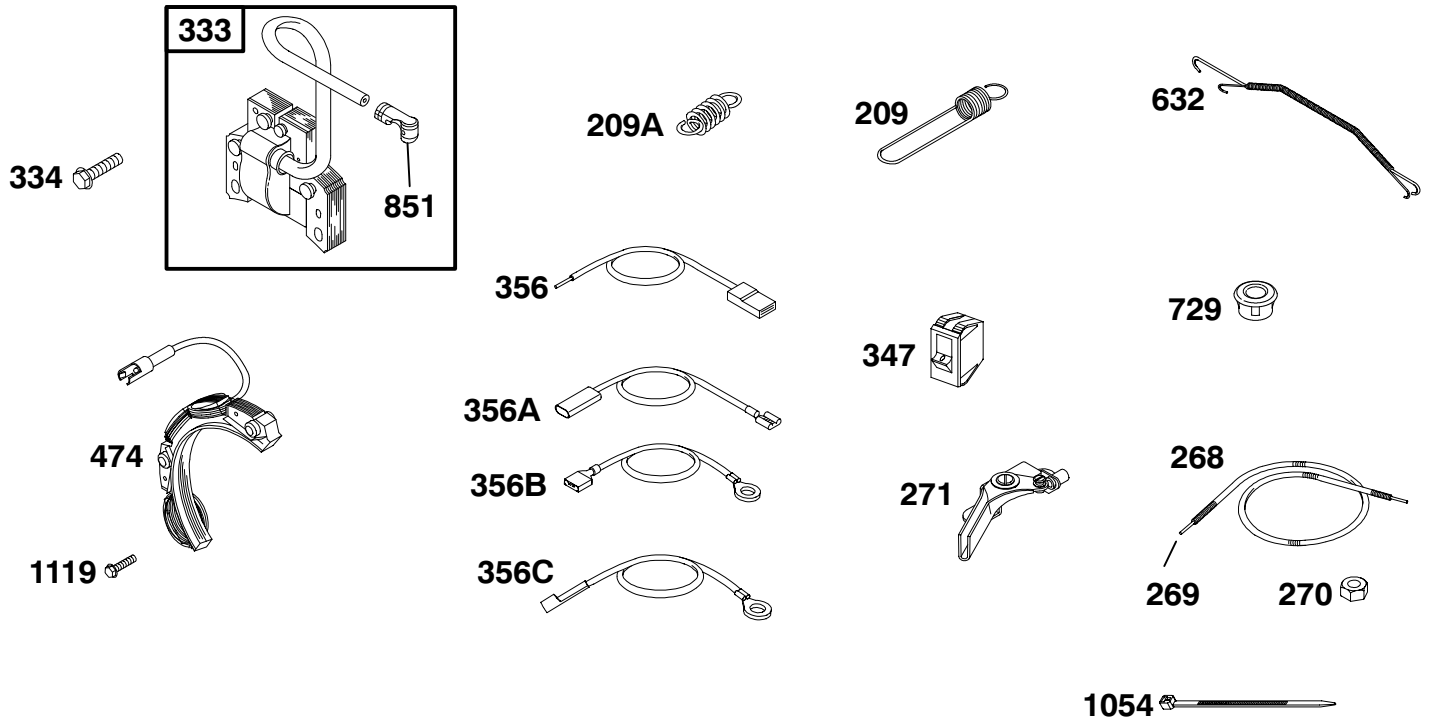
# 120400 to 120499



REF. NO.	PART NO.	DESCRIPTION	REF. NO.	PART NO.	DESCRIPTION	REF. NO.	PART NO.	DESCRIPTION
51♦♦	692555	Gasket-Intake (2 Required)	117	694176	Jet-Main (Standard)	127	694468	Plug-Welch ----- Note -----
95	94098	Screw (Throttle Valve)		690048	Jet-Main (High Altitude)		223472	Plug-Welch Used on Type No(s). 0119.
97	690024	Shaft-Throttle		498976	Jet-Main Used on Type No(s). 0120.	130	691181	Valve-Throttle ----- Note -----
98	398185	Kit-Idle Speed (Carburetor)		690048	Jet-Main (Standard) Used on Type No(s). 0119.		691203	Valve-Throttle Used on Type No(s). 0120.
104	691242	Pin-Float Hinge		498977	Jet-Main (High Altitude) Used on Type No(s). 0119.	133	398187	Float-Carburetor
108	691182	Valve-Choke ----- Note -----				134	398188	Kit-Needle/Seat
	692567	Valve-Choke Used on Type No(s). 0120.				137	693981	Gasket-Float Bowl
109	690023	Shaft-Choke	122	693749	Spacer-Carburetor	163	272948	Gasket-Air Cleaner (Flat Panel Air Cleaner)
109A	693628	Shaft-Choke	125	694174	Carburetor ----- Note -----	163A	693458	Gasket-Air Cleaner (High Mount Air Cleaner)
				693518	Carburetor Used on Type No(s). 0119.	186	493496	Connector-Hose
				694508	Carburetor Used on Type No(s). 0120.	276	271716	Washer-Sealing
						365	692568	Screw (Carburetor)
						633	693867	Seal-Choke/Throttle Shaft
						692	690572	Spring-Detent (Choke)
						708	691321	Seal-Throttle Shaft
						975	493640	Bowl-Float

★ Included in Engine Gasket Set-Ref. No. 358.  
Included in Valve Gasket Set-Ref. No. 1095.

● Included in Carburetor Overhaul Kit-Ref. No. 121.  
♦ Included in Carburetor Gasket Set-Ref. No. 977.

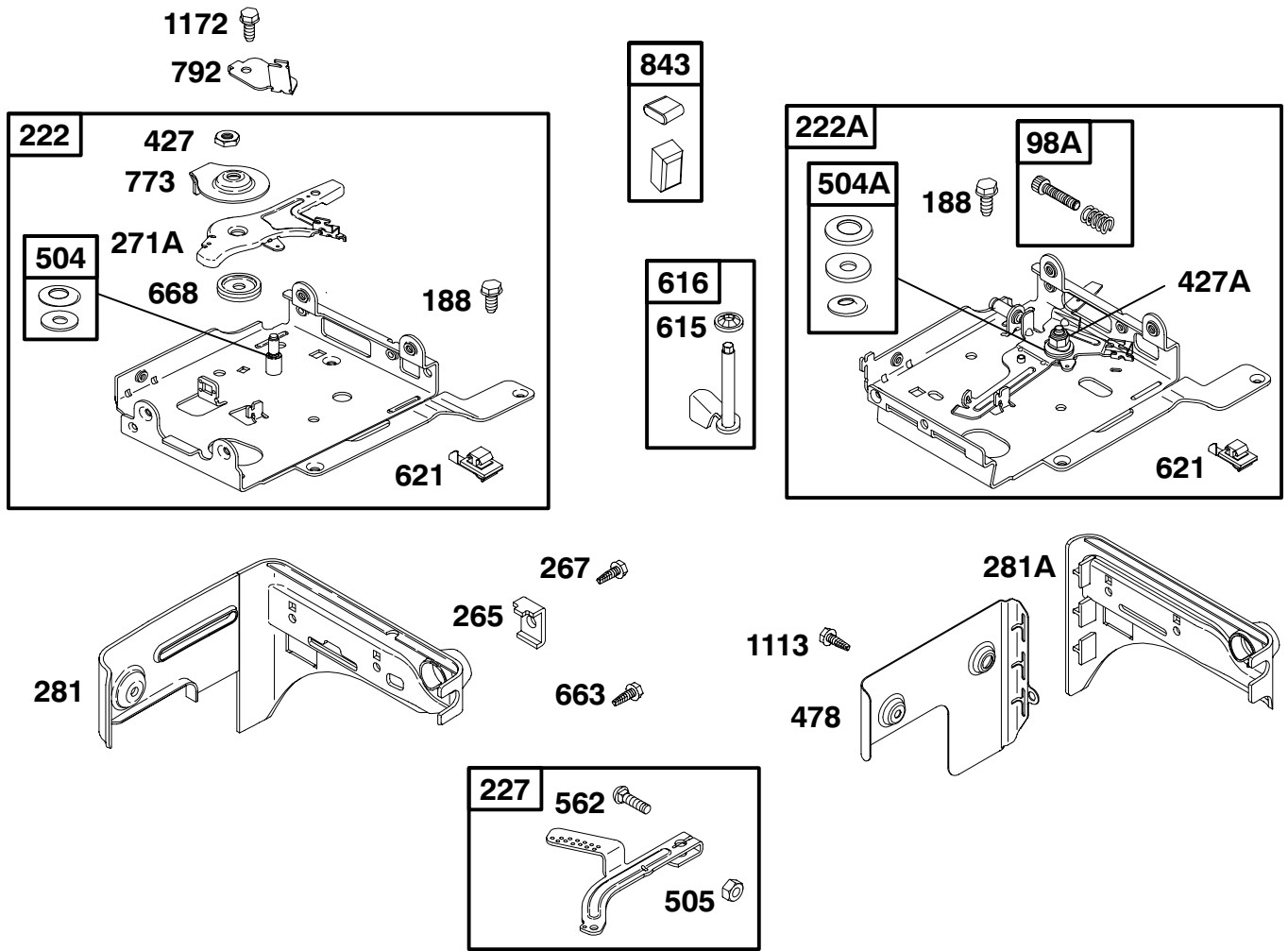


REF. NO.	PART NO.	DESCRIPTION	REF. NO.	PART NO.	DESCRIPTION	REF. NO.	PART NO.	DESCRIPTION
209	692571	Spring-Governor (Silver)	271	290568	Lever-Control	356C	692650	Wire-Stop Used on Type No(s). 0120.
		----- <b>Note</b> -----	333	692605	Armature-Magneto	474	694457	Alternator
		693206 Spring-Governor (Yellow)	334	94731	Screw (Magneto Armature)	632	693408	Spring/Link-Mechanical Governor
		Used on Type No(s). 0119, 0120, 0121.	347	693623	Switch-Rocker (With Light)	729	694371	Clip-Wire
209A	261306	Spring-Governor (Brown)			----- <b>Note</b> -----	851	493880	Terminal-Sparkplug
268	691072	Casing-Control Wire (Cut to Length)			692599 Switch-Rocker (Without Light)	1054	280275	Tie-Cable
269	26099	Wire-Control (Cut to Length)	356	692390	Wire-Stop	1119	93621	Screw (Alternator)
270	63426	Nut (Control Wire Casing)	356A	692602	Wire-Stop Used on Type No(s). 0120.			
			356B	692603	Wire-Stop Used on Type No(s). 0120.			

★ Included in Engine Gasket Set-Ref. No. 358.  
Included in Valve Gasket Set-Ref. No. 1095.

● Included in Carburetor Overhaul Kit-Ref. No. 121.  
◆ Included in Carburetor Gasket Set-Ref. No. 977.

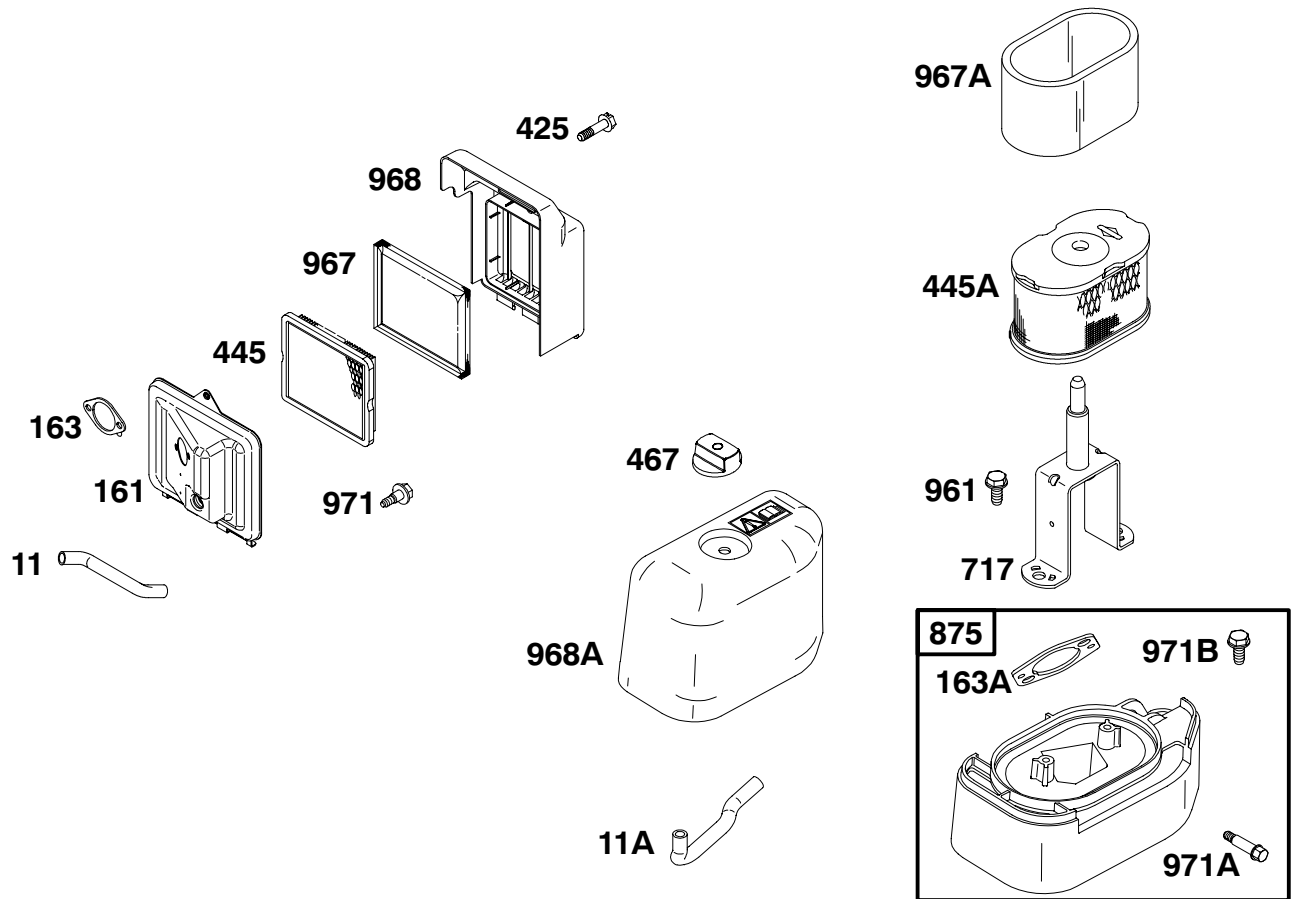
# 120400 to 120499



REF. NO.	PART NO.	DESCRIPTION	REF. NO.	PART NO.	DESCRIPTION	REF. NO.	PART NO.	DESCRIPTION
98A	493280	Kit-Idle Speed (Control Bracket)	281A	693407	Panel-Control (Used Before Code Date 99070500).	562	94852	Bolt (Governor Control Lever)
188	94644	Screw (Control Bracket)	427	694255	Nut (Control Bracket) (Used After Code Date 99070400).	615	692576	Retainer-Governor Shaft
222	694253	Bracket-Control (Used After Code Date 99070400).	427A	692575	Nut (Control Bracket) (Used Before Code Date 99070500).	616	692547	Crank-Governor
222A	693405	Bracket-Control (Used Before Code Date 99070500).	478	693709	Panel	621	396847	Switch-Stop
227	692573	Lever-Governor Control	504	694254	Washer Set-Friction (Used After Code Date 99070400).	663	694593	Screw (Control Panel)
265	221535	Clamp-Casing	504A	495659	Washer Set-Friction (Used Before Code Date 99070500).	668	694257	Spacer (Control Bracket)
267	692577	Screw (Casing Clamp)	505	231082	Nut (Governor Control Lever)	792	694259	Bracket-Fixed Speed (Used After Code Date 99070400).
271A	694256	Lever-Control				773	694258	Retainer
281	694252	Panel-Control (Used After Code Date 99070400).				843	694061	Sleeve-Lever
						1113	692577	Screw (Panel)
						1172	94831	Screw (Fixed Speed Bracket)

★ Included in Engine Gasket Set-Ref. No. 358.  
 Included in Valve Gasket Set-Ref. No. 1095.

● Included in Carburetor Overhaul Kit-Ref. No. 121.  
 ◆ Included in Carburetor Gasket Set-Ref. No. 977.



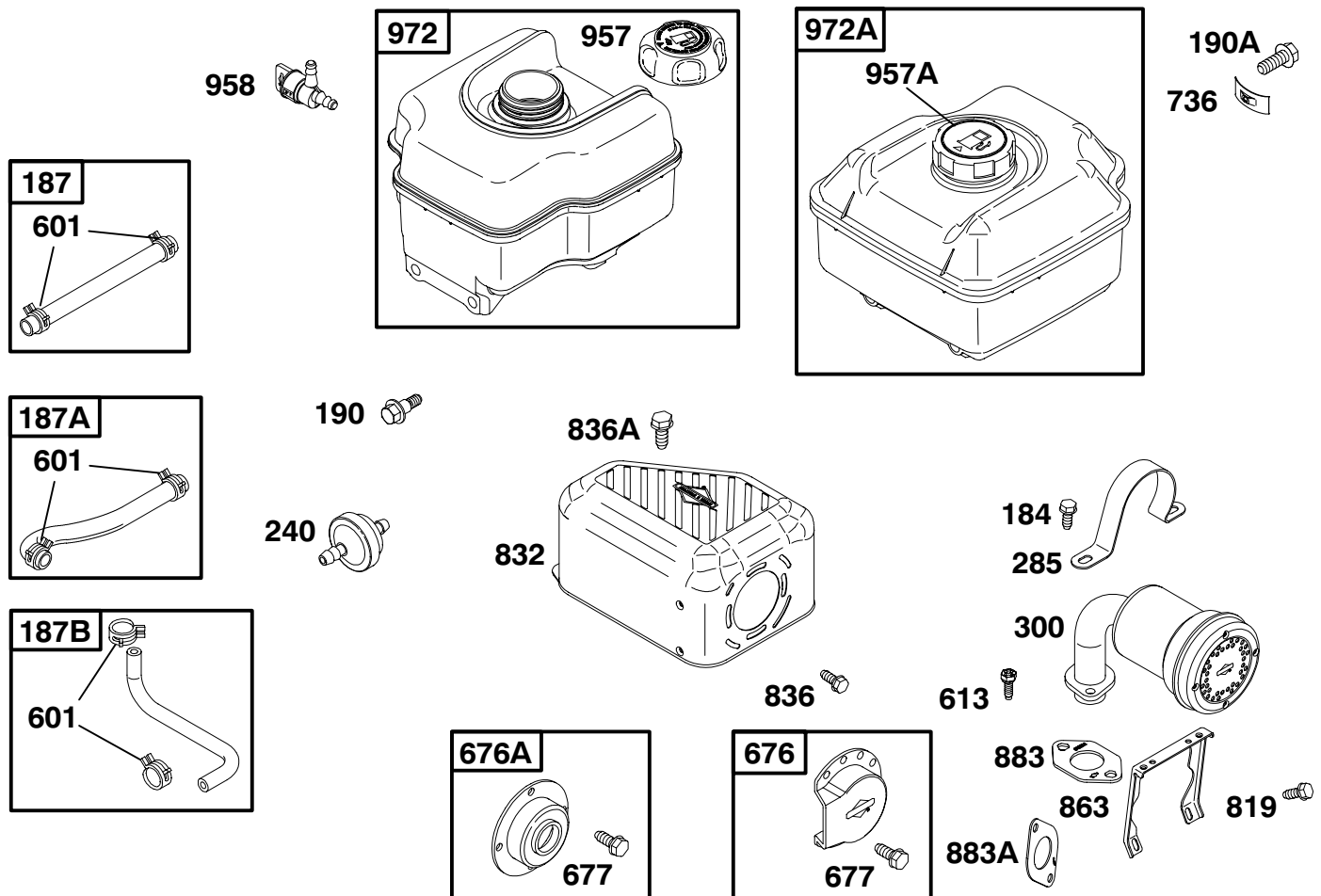
REF. NO.	PART NO.	DESCRIPTION	REF. NO.	PART NO.	DESCRIPTION	REF. NO.	PART NO.	DESCRIPTION
11	692600	Tube-Breather (Flat Panel Air Cleaner)	445	491588	Filter-Air Cleaner Cartridge	968	692584	Cover-Air Cleaner (Flat Panel Air Cleaner)
11A	693647	Tube-Breather (High Mount Air Cleaner)	445A	690610	Filter-Air Cleaner Cartridge	968A	693460	Cover-Air Cleaner (High Mount Air Cleaner)
161	692579	Base-Air Cleaner (High Mount)	467	493903	Knob-Air Cleaner	971	690370	Screw (Flat Panel Air Cleaner Base)
163	♦♦272948	Gasket-Air Cleaner (Flat Panel Air Cleaner)	717	693462	Bracket-Air Cleaner	971A	690349	Screw (High Mount Air Cleaner Base)
163A	♦♦693458	Gasket-Air Cleaner (High Mount Air Cleaner)	875	693459	Base-Air Cleaner	971B	94929	Screw (High Mount Air Cleaner Base)
425	692583	Screw (Air Cleaner Cover)	961	693598	Screw (Air Cleaner Bracket)			
			967	493537	Filter-Pre Cleaner (Flat Panel Air Cleaner)			
			967A	273356	Filter-Pre Cleaner (High Mount Air Cleaner)			

★ Included in Engine Gasket Set-Ref. No. 358.  
 Included in Valve Gasket Set-Ref. No. 1095.

● Included in Carburetor Overhaul Kit-Ref. No. 121.  
 ◆ Included in Carburetor Gasket Set-Ref. No. 977.



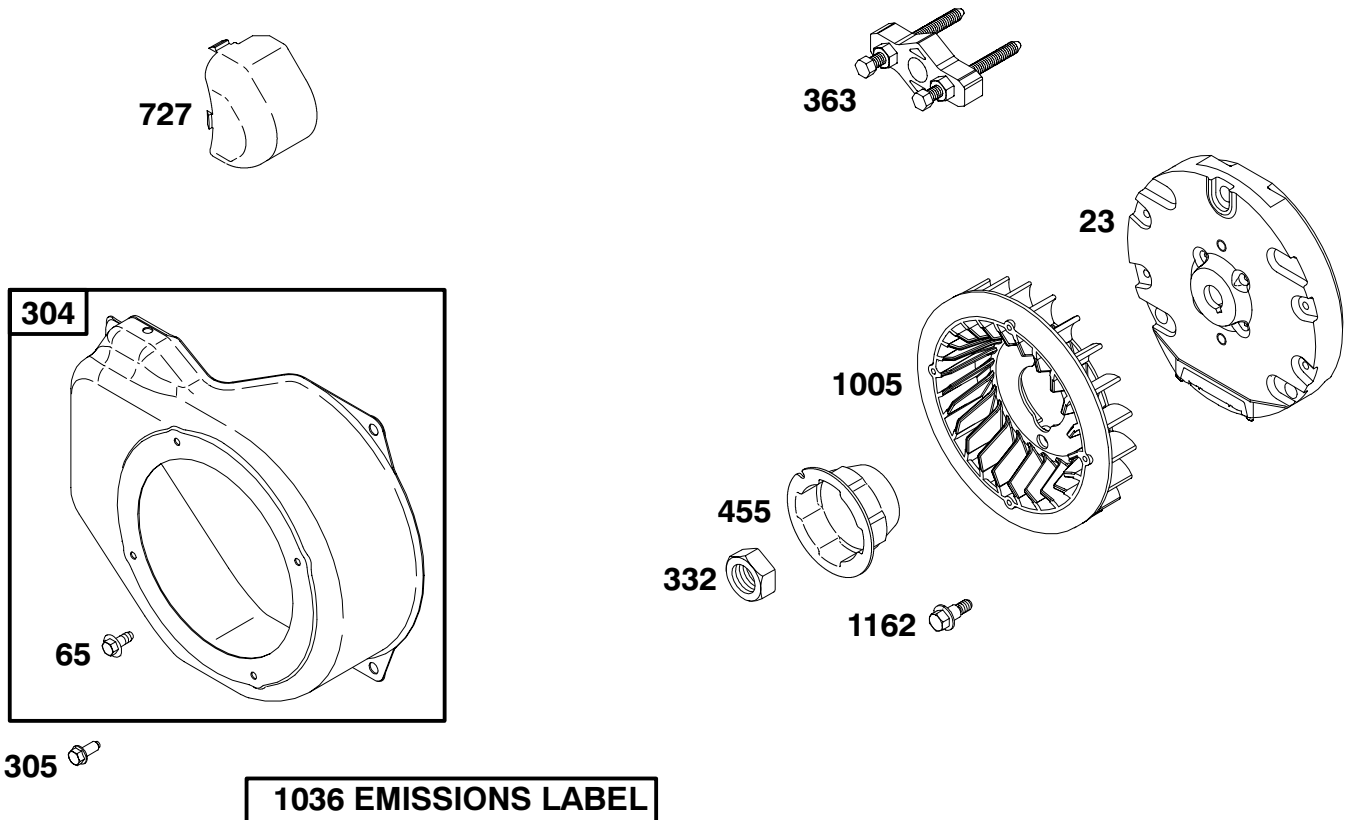
# 120400 to 120499



REF. NO.	PART NO.	DESCRIPTION	REF. NO.	PART NO.	DESCRIPTION	REF. NO.	PART NO.	DESCRIPTION
184	94914	Screw (Muffler Strap)	613	94706	Screw (Exhaust Muffler)	957	694261	Cap-Fuel Tank (Used After Code Date 99070400).
187	298049	Line-Fuel (Cut To Required Length)	676	393757	Deflector-Muffler (Side Out, Lo Tone)	957A	493988	Cap-Fuel Tank (Used Before Code Date 99070500).
187A	692601	Line-Fuel (Molded, Use With Fuel Shut Off Valve)	676A	395700	Deflector-Muffler (Direct Out, Lo Tone)	958	692586	Valve-Fuel Shut Off
187B	693401	Line-Fuel (Molded, Use With Filter and Fuel Shut Off Valve)	677	94896	Screw (Muffler Deflector)	972	694260	Tank-Fuel (Used After Code Date 99070400).
190	692127	Screw (Fuel Tank)	736	693560	Nut-Clip	972A	692587	Tank-Fuel (Used Before Code Date 99070500).
190A	94644	Screw (Fuel Tank)	819	692598	Screw (Muffler Bracket)	----- Note -----		
240	298090	Filter-Fuel	832	693583	Guard-Muffler	694111	694111	Tank-Fuel (4 Quart) (Used Before Code Date 99070500). Used on Type No(s). 0111.
285	692595	Strap-Muffler	836	94896	Screw (Muffler Guard)			
300	693593	Muffler (Lo Tone)	836A	693624	Screw (Muffler Guard)			
601	93053	Clamp-Hose	863	692596	Bracket-Muffler			
			883	272309	Gasket-Exhaust (Adapter to Muffler)			
			883A	6918939	Gasket-Exhaust (Adapter to Cylinder)			

★ Included in Engine Gasket Set-Ref. No. 358.  
 Included in Valve Gasket Set-Ref. No. 1095.

● Included in Carburetor Overhaul Kit-Ref. No. 121.  
 ◆ Included in Carburetor Gasket Set-Ref. No. 977.

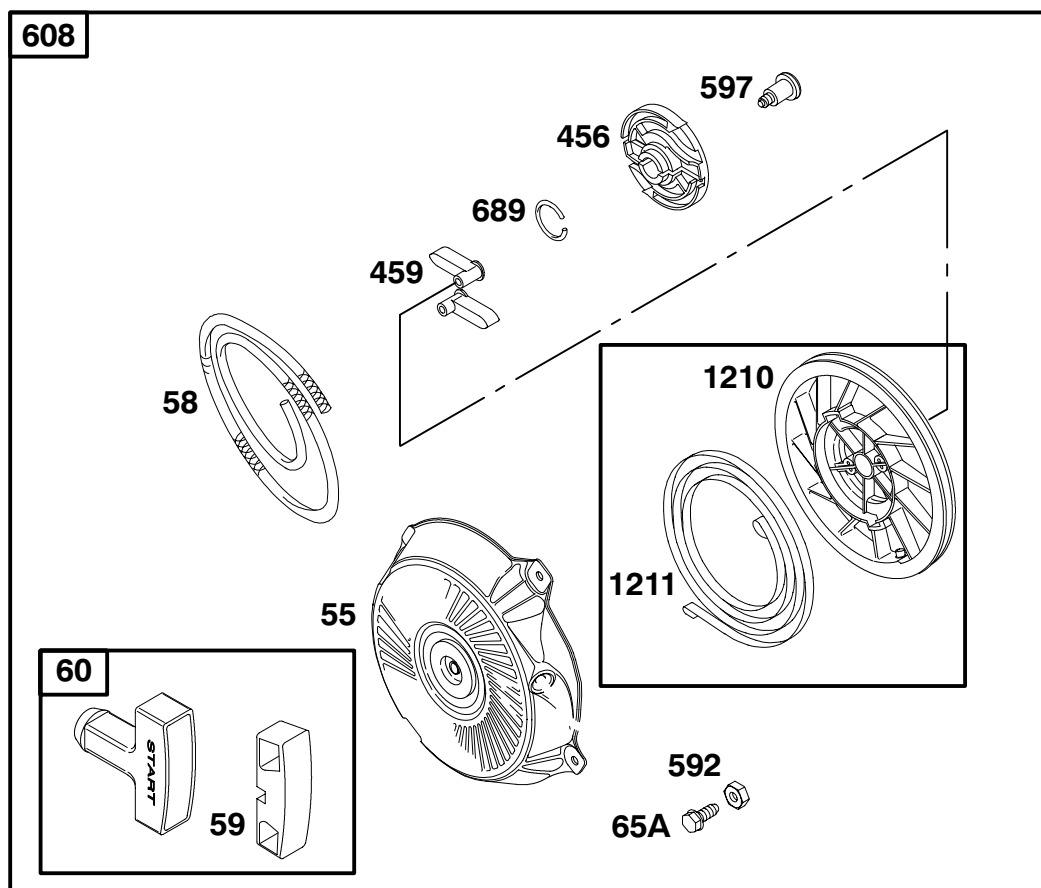


REF. NO.	PART NO.	DESCRIPTION	REF. NO.	PART NO.	DESCRIPTION	REF. NO.	PART NO.	DESCRIPTION
23	692987	Flywheel ----- <b>Note</b> ----- 694902 Flywheel Used on Type No(s). 0121.	305	690960	Screw (Blower Housing)	1036	695041	Label-Emissions (Used After Code Date 99093000). ----- <b>Note</b> ----- 694451 Label- Emissions (Used Before Code Date 99100100).
65	692608	Screw (Rewind Starter)	332	94877	Nut (Flywheel)	1162	692590	Screw (Flywheel Fan)
304	693621	Housing-Blower ----- <b>Note</b> ----- 694378 Housing- Blower Used on Type No(s). 0121.	363	19069	Flywheel Puller			
			455	692591	Cup-Flywheel			
			727	694467	Cover-Starter Drive Used on Type No(s). 0121.			
			1005	692592	Fan-Flywheel			

★ Included in Engine Gasket Set-Ref. No. 358.  
Included in Valve Gasket Set-Ref. No. 1095.

● Included in Carburetor Overhaul Kit-Ref. No. 121.  
◆ Included in Carburetor Gasket Set-Ref. No. 977.

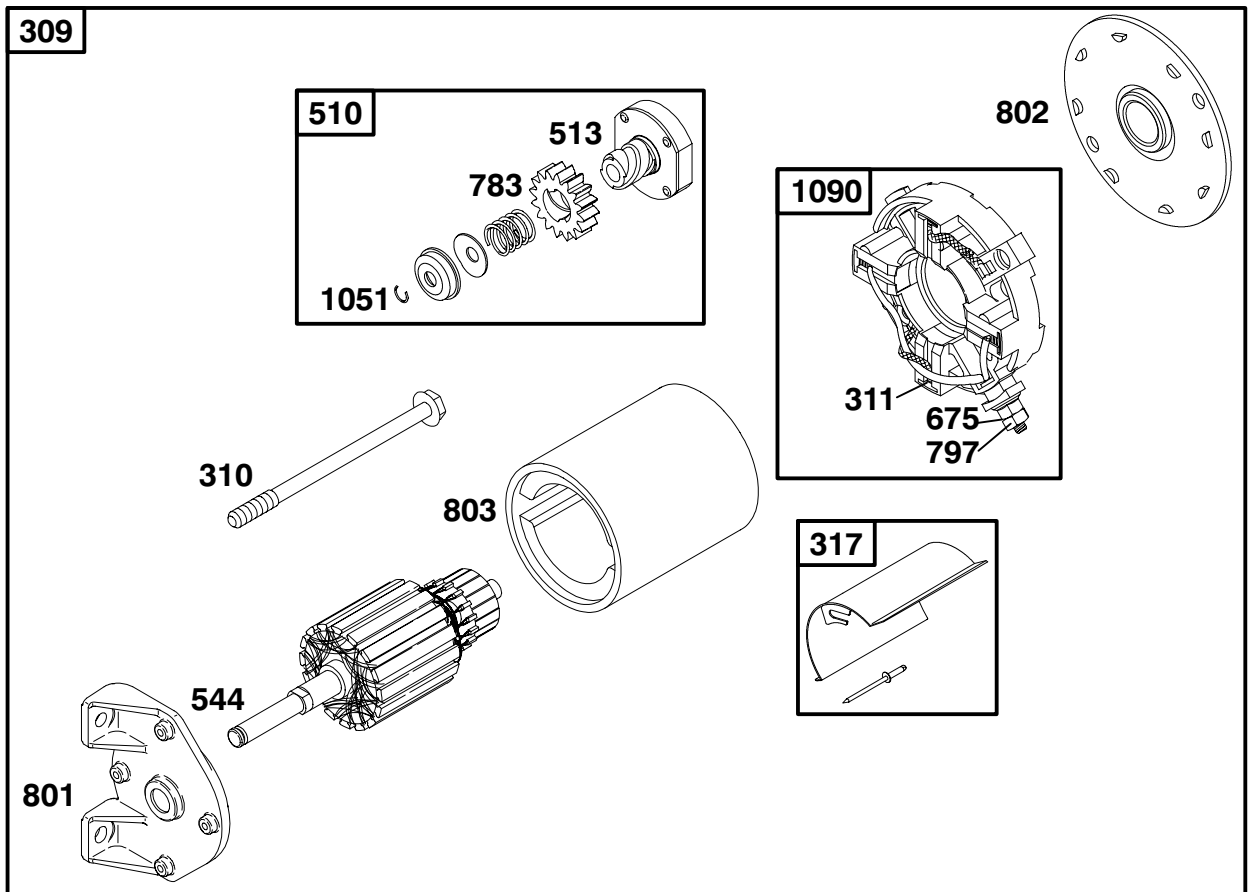
# 120400 to 120499



REF. NO.	PART NO.	DESCRIPTION	REF. NO.	PART NO.	DESCRIPTION	REF. NO.	PART NO.	DESCRIPTION
55	691422	Housing-Rewind Starter	65A	94904	Screw (Rewind Starter)	608	693394	Starter-Rewind
58	693389	Rope-Starter (Cut to Required Length)	456	281503	Plate-Pawl Friction	689	263073	Spring-Friction
59	805957	Insert-Grip	459	281505	Pawl-Ratchet	1210	498144	Pulley/Spring Assembly (Pulley)
60	715257	Grip-Starter Rope (Two Piece Handle)	592	94908	Nut (Rewind Starter)	1211	498144	Pulley/Spring Assembly (Spring)
			597	94943	Screw (Pawl Friction Plate)			

★ Included in Engine Gasket Set-Ref. No. 358.  
 Included in Valve Gasket Set-Ref. No. 1095.

● Included in Carburetor Overhaul Kit-Ref. No. 121.  
 ◆ Included in Carburetor Gasket Set-Ref. No. 977.

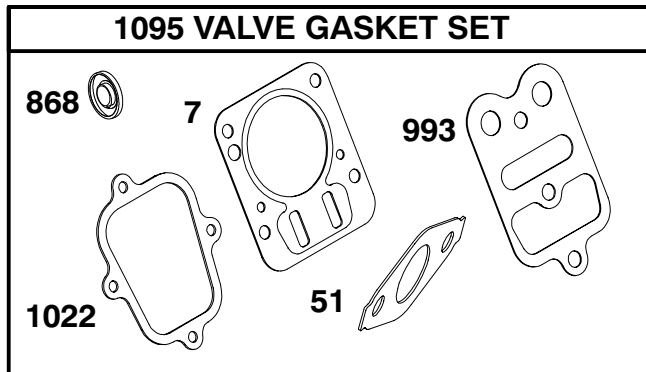
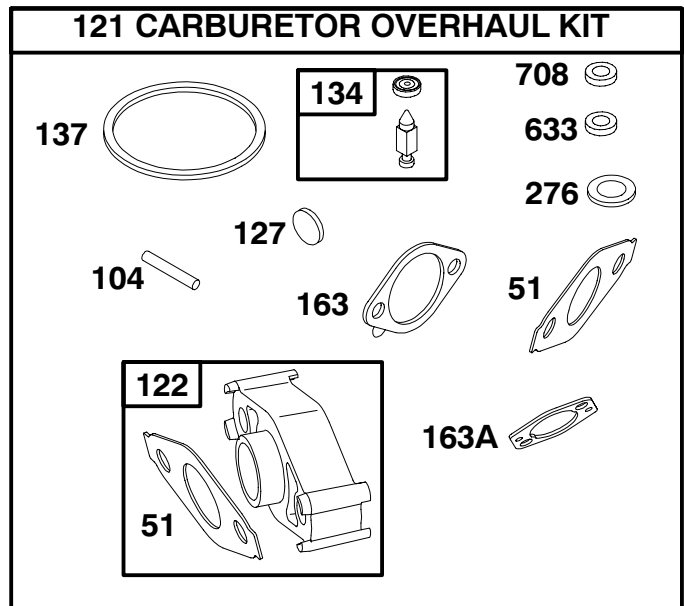
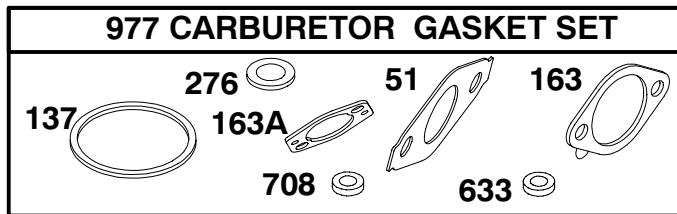
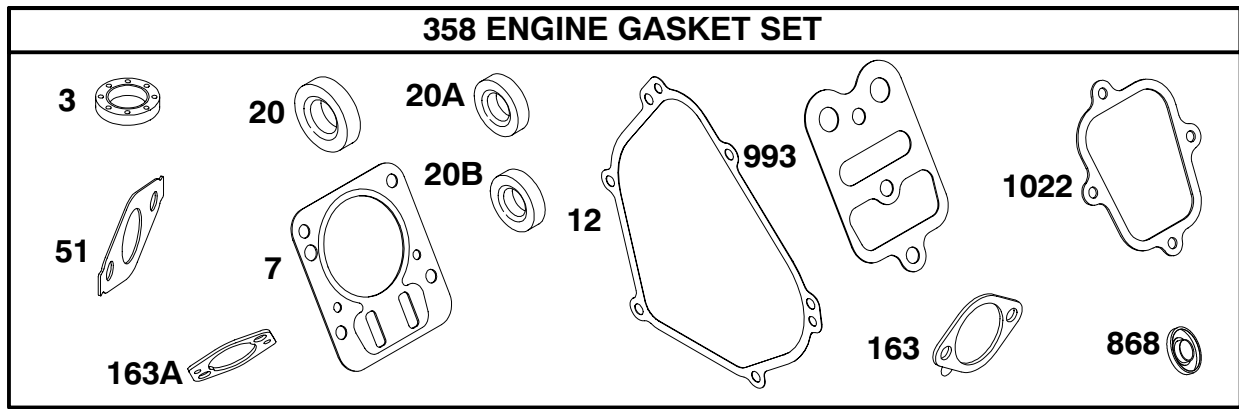


REF. NO.	PART NO.	DESCRIPTION	REF. NO.	PART NO.	DESCRIPTION	REF. NO.	PART NO.	DESCRIPTION
309	694504	Motor-Starter	675	225137	Washer (Brush Retainer)	801	694482	Cap-Drive
310	690323	Bolt (Starter Motor)	697	690372	Screw (Drive Cap)	802	497607	Cap-End
311	497608	Brush Set	783	692353	Gear-Pinion	803	691427	Housing-Starter
317	695494	Cover-Starter	797	92278	Nut (Brush Retainer)	1051	263080	Ring-Retaining
510	497705	Drive-Starter				1090	497605	Retainer-Brush
513	398003	Clutch-Drive						
544	692966	Armature-Starter						

★ Included in Engine Gasket Set-Ref. No. 358.  
 Included in Valve Gasket Set-Ref. No. 1095.

● Included in Carburetor Overhaul Kit-Ref. No. 121.  
 ◆ Included in Carburetor Gasket Set-Ref. No. 977.

# 120400 to 120499



REF. NO.	PART NO.	DESCRIPTION	REF. NO.	PART NO.	DESCRIPTION	REF. NO.	PART NO.	DESCRIPTION
3	★299819	Seal-Oil (Magneto Side)	51	★♦♦692555	Gasket-Intake (2 Required)	276	♦♦271716	Washer-Sealing
7	★ 695166	Gasket-Cylinder Head (Used After Code Date 9911300). ----- Note ----- ★ 273489 Gasket-Cylinder Head (Used Before Code Date 99120100).	104	♦691242	Pin-Float Hinge	358	695155	Gasket Set-Engine
12	★692549	Gasket-Crankcase	121	695157	Kit-Carburetor Overhaul	633	♦♦693867	Seal-Choke/Throttle Shaft
20	★692550	Seal-Oil (PTO Side, 3/16" THK)	122	♦693749	Spacer-Carburetor	708	♦♦691321	Seal-Throttle Shaft
20A	★391484	Seal-Oil (PTO Side)	127	♦694468	Plug-Welch ----- Note ----- ♦223472 Plug-Welch Used on Type No(s). 0119.	868	★ 498592	Seal-Valve
20B	★694171	Seal-Oil (PTO Side, 5/16" THK) Used on Type No(s). 0120.	134	♦398188	Kit-Needle/Seat	977	695156	Gasket Set-Carburetor
			137	♦♦693981	Gasket-Float Bowl	993	★ 691892	Gasket-Cylinder Head Plate
			163	★♦♦272948	Gasket-Air Cleaner (Flat Panel Air Cleaner)	1022	★ 691890	Gasket-Rocker Cover
			163A	★♦♦693458	Gasket-Air Cleaner (High Mount Air Cleaner)	1095	695289	Gasket Set-Valve (Used After Code Date 99113000). ----- Note ----- 690034 Gasket Set-Valve (Used Before Code Date 99120100).

★ Included in Engine Gasket Set-Ref. No. 358.  
Included in Valve Gasket Set-Ref. No. 1095.

♦ Included in Carburetor Overhaul Kit-Ref. No. 121.  
♦♦ Included in Carburetor Gasket Set-Ref. No. 977.