

Illustrated Parts List

Model Series

115400 to 115499

TYPE NUMBERS
0029 through 0039,
0040 through 0047,
0050 through 0059,
0060 through 0063,
0072 through 0081
0100 through 0141,
0235, 0236, 0238,
0530, 0538.

TO FIND
THE CORRECT NUMBER OF THE PART YOU NEED:
FOLLOW THE INSTRUCTIONS BELOW

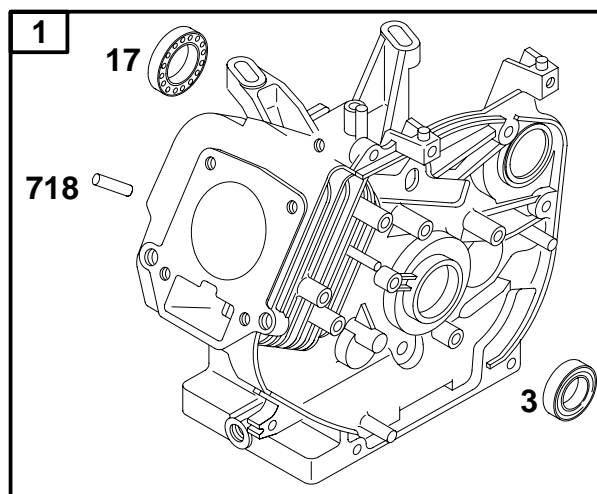
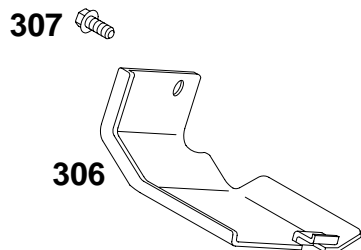
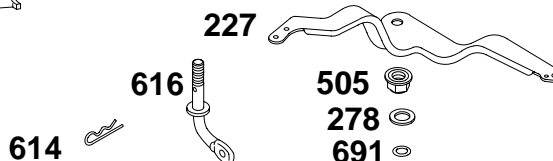
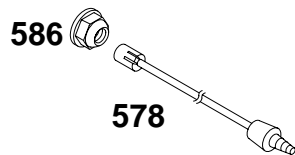
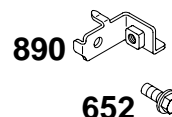
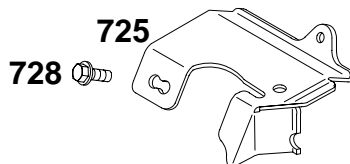
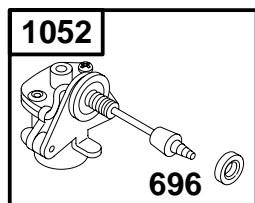
- A. Refer to Engine Model, Type and Code Number that is stamped on the blower housing of engine. Engine type numbers such as 0123 01 are listed only as 0123 in most instances. The two digits (01 or 02, etc.) to the right of the space may be required for more accurate parts identification in some instances. Select the Illustrated Parts List covering the correct Model Series and Type Number.
- B. Refer to the Illustrations and compare the original part with Illustration. The number next to the illustration is the Reference Number. Assemblies include all parts shown in frames. All parts shown in assembly frames having individual reference numbers can be purchased separately.
- C. After the Reference Number has been identified, refer to the Numerical text, where Reference and Primary Part Number are listed. **THE PRIMARY PART IS USED ON ALL TYPE NUMBERS EXCEPT THOSE TYPE NUMBERS UNDER "NOTE."**
- D. If a "Note" appears below the Primary Part Number, it means that this part differs from the Primary Part for certain types. If your Type number is listed under "Note," order the part referred to at the "Note."
- E. If your Engine Type Number does not appear after any part number listed under "Note," use the Primary Part Number.
- F. For Engine Type Numbers not covered by this book, check other Parts Lists having the same engine model or contact your source of supply.



PRINTED IN U.S.A.

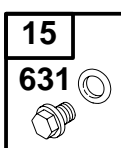
COPYRIGHT by BRIGGS & STRATTON CORPORATION
All rights reserved. No part of this material may be reproduced or transmitted, in any form or by any means, electronic or mechanical, including photocopying, recording or by any information storage and retrieval system, without permission in writing from Briggs & Stratton Corporation.

115400 to 115499



1019 LABEL KIT

1058 OWNER'S MANUAL



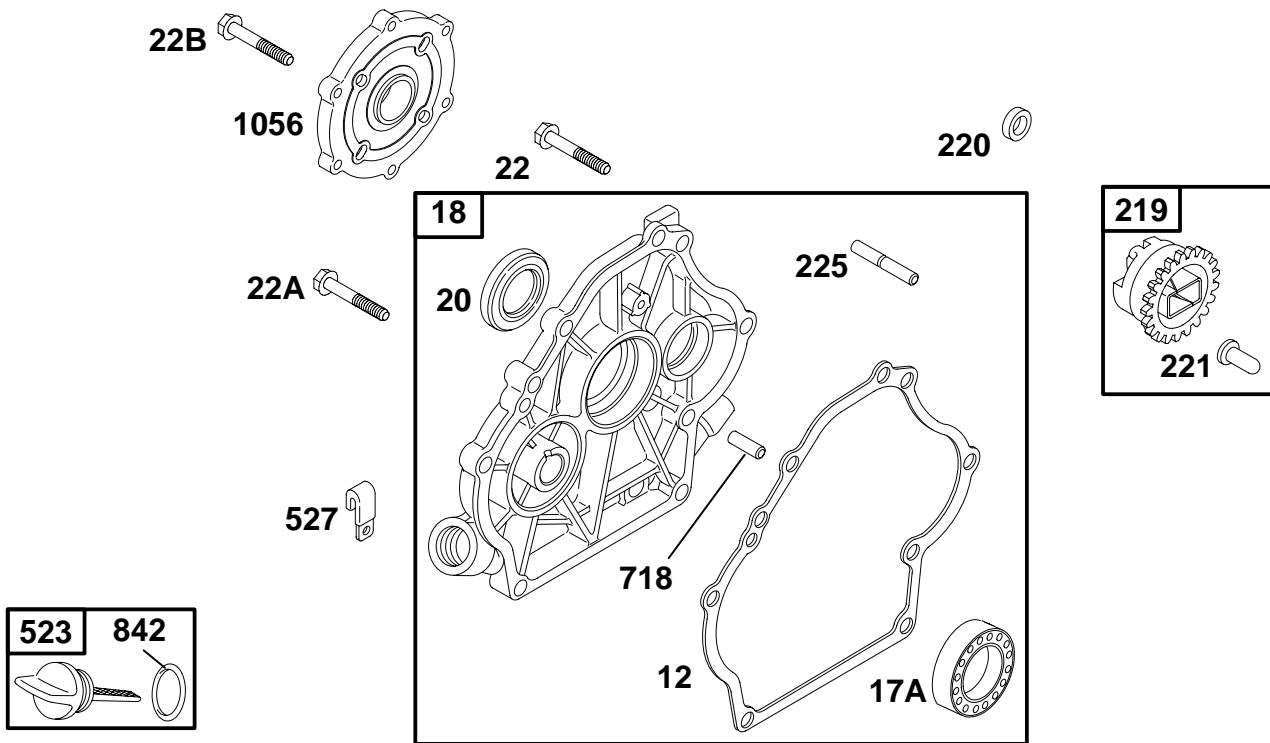
REF. NO.	PART NO.	DESCRIPTION	REF. NO.	PART NO.	DESCRIPTION	REF. NO.	PART NO.	DESCRIPTION
1	715001	Cylinder Assembly Note 715300 Cylinder Assembly Used on Type No(s). 0106, 0107, 0115, 0116, 0126, 0131, 0133. 715301 Cylinder Assembly Used on Type No(s). 0037, 0054, 0059, 0079.	505	710059	Nut (Governor Control Lever)			Note 715137 Bracket-Support (Used Before Code Date 94040400). Used on Type No(s). 0037, 0040, 0041.
3	★710000	Seal-Oil (Magneto Side)	578	710308	Wire Assembly	1019	715031	Label Kit
15	715000	Plug-Oil Drain	586	710090	Nut (Oil Sensor)	1052	715353	Sensor-Oil
17	710003	Bearing-Ball	614	710056	Pin-Cotter	1058	273678	Owner's Manual (Emissions Engines) (Used After Code Date 97063000).
227	710051	Lever-Governor Control	616	710050	Crank-Governor			Note 273126 Owner's Manual (Emissions Engine) (Used Before Code Date 97070100). 272983 Owner's Manual (Non Emissions Engines)
278	710058	Washer (Governor Control Lever)	631	★710004	Washer (Oil Drain Plug)			
306	710063	Shield-Cylinder	652	710023	Screw (Support Bracket)			
307	710023	Screw (Cylinder Shield)	691	★710055	Seal-Governor Shaft			
			696	★710091	O-Ring Seal (Oil Sensor)			
			718	710005	Pin-Locating			
			725	710102	Shield-Heat			
			728	710023	Screw (Heat Shield)			
			890	715136	Bracket-Support (Used After Code Date 94040300). Used on Type No(s). 0037, 0040, 0041, 0080.			

★ Included in Engine Gasket Set-Ref. No. 358.

● Included in Carburetor Overhaul Kit-Ref. No. 121.

△ Included in Valve Gasket Set-Ref. No. 1095.

◆ Included in Carburetor Gasket Set-Ref. No. 977

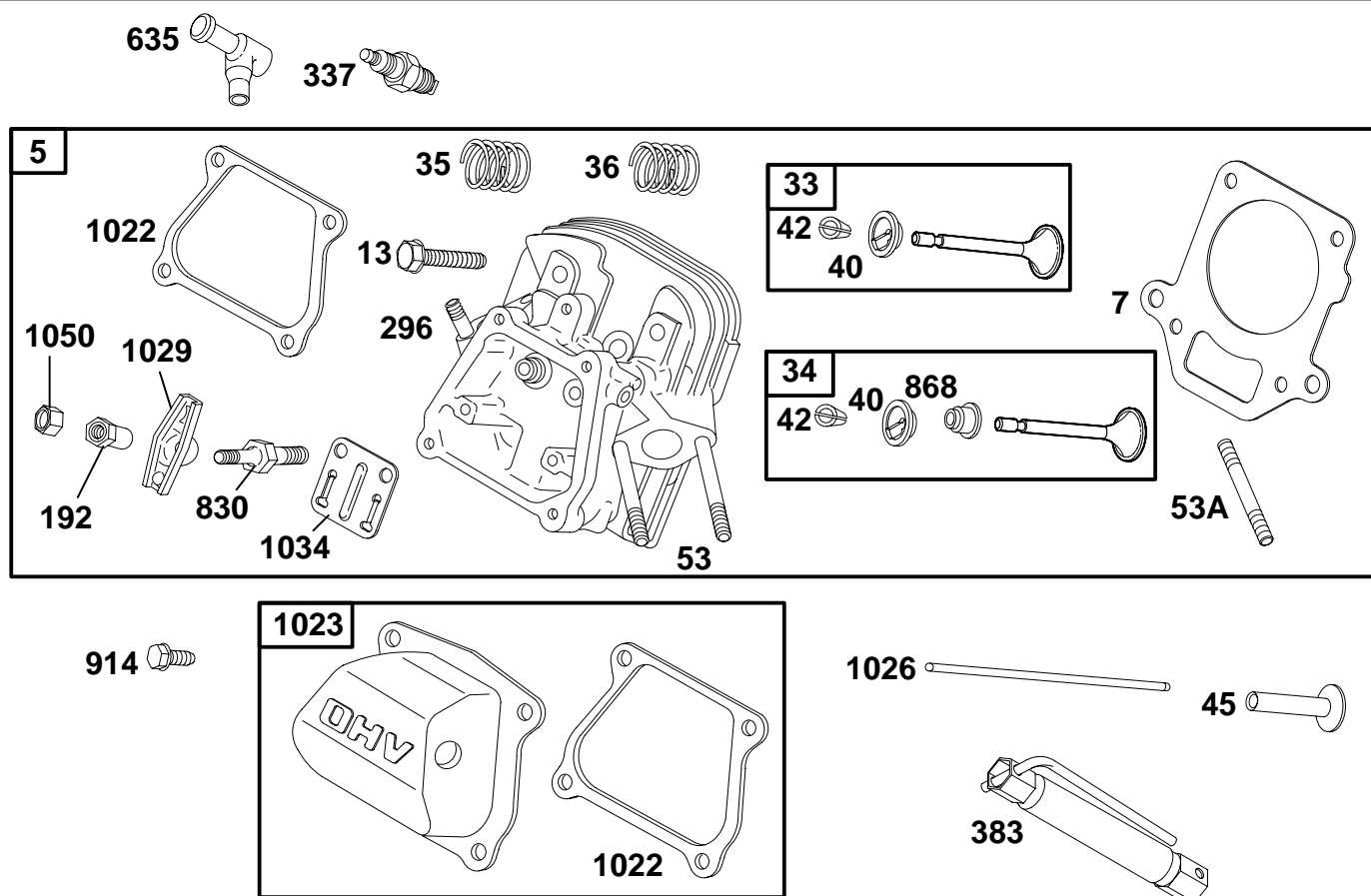


REF. NO.	PART NO.	DESCRIPTION	REF. NO.	PART NO.	DESCRIPTION	REF. NO.	PART NO.	DESCRIPTION
12	★710036	Gasket-Crankcase	20	★710031	Seal-Oil (PTO Side)	225	710028	Shaft-Governor Gear
17A	710030	Bearing-Ball	22	710032	Screw (Crankcase Cover)	523	715588	Dipstick (Used After Code Date 98013100).
18	715008	Cover-Crankcase	22A	710306	Screw (Crankcase Cover)	<p align="center">Note</p>		
	715037	Cover-Crankcase (Used on Type No(s). 0058, 0061, 0115, 0116.)	22B	710080	Screw (Crankcase Cover) (Used on Type No(s). 0115, 0116, 0131.)	527	710100	Clamp-Tube
	715038	Cover-Crankcase (Used on Type No(s). 0046, 0074, 0106, 0128.)	219	715006	Gear-Governor	718	710005	Pin-Locating
	715304	Cover-Crankcase (Used After Code Date 95053100). (Used on Type No(s). 0116, 0131.)	220	710035	Washer (Governor Gear)	842	★710029	Dipstick/Tube Seal
	715037	Cover-Crankcase (Used Before Code Date 95060100). (Used on Type No(s). 0116.)	221	710027	Cup-Governor	1056	710326	Flange-Mounting Plate (Used on Type No(s). 0115, 0116, 0131.)

★ Included in Engine Gasket Set-Ref. No. 358.
 ● Included in Carburetor Overhaul Kit-Ref. No. 121.

△ Included in Valve Gasket Set-Ref. No. 1095.
 ◆ Included in Carburetor Gasket Set-Ref. No. 977

115400 to 115499



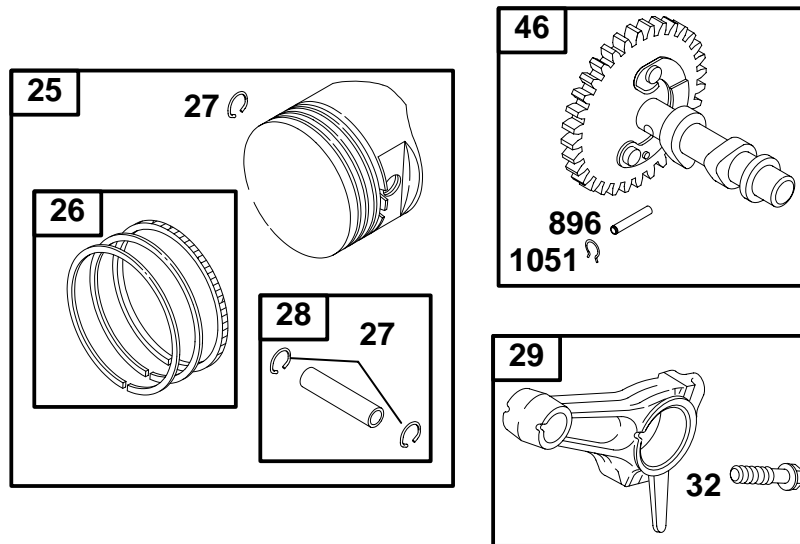
REF. NO.	PART NO.	DESCRIPTION	REF. NO.	PART NO.	DESCRIPTION	REF. NO.	PART NO.	DESCRIPTION
5	715004	Head-Cylinder	53A	710148	Stud (Carburetor)	635	710634	Boot-Sparkplug
7	Δ710021	Gasket-Cylinder Head			Used on Type No(s). 0036, 0046, 0047, 0050, 0053, 0054, 0061, 0123.	830	710016	Stud-Rocker Arm
10	710023	Screw	192	710015	Adjuster-Rocker Arm	868	Δ710019	Seal-Valve
13	710020	Screw (Cylinder Head)	337	491055	Plug-Spark	914	710023	Screw (Rocker Arm Cover)
33	715002	Valve-Exhaust	1050	710007	Nut (Rocker Arm)			Note
34	715003	Valve-Intake	383	19374	Wrench-Sparkplug	1022	Δ710024	Gasket-Rocker Cover
35	710011	Spring-Valve (Intake)	551	715005	Cover-Valve	1026	710013	Rod-Push
36	710011	Spring-Valve (Exhaust)			Note	1029	710014	Arm-Rocker
40	710012	Retainer-Valve			715291 Cover-Valve (Used Before Code Date 95060100).	1034	710017	Guide-Push Rod
42	715130	Keeper-Valve			Used on Type No(s). 0116, 0131.			
45	710008	Tappet-Valve						
53	710116	Stud (Carburetor)						
296	710099	Stud (Muffler)						

★ Included in Engine Gasket Set-Ref. No. 358.

● Included in Carburetor Overhaul Kit-Ref. No. 121.

Δ Included in Valve Gasket Set-Ref. No. 1095.

◆ Included in Carburetor Gasket Set-Ref. No. 977



REF. NO.	PART NO.	DESCRIPTION	REF. NO.	PART NO.	DESCRIPTION	REF. NO.	PART NO.	DESCRIPTION
24	710037	Key-Flywheel	27	710040	Lock-Piston Pin	896	710616	Pin-Spiral
25	715020	Piston Assembly (Standard)	28	715019	Pin-Piston	———— Note ————		
		Note	29	715011	Rod-Connecting	710340		Pin-Spiral
	715021	Piston Assembly (.010" O.S.)		715012	Rod-Connecting (.020" Undersize)	Used on Model Series 115462.		
	715022	Piston Assembly (.020" O.S.)	32	710041	Screw-Connecting Rod	1051	710039	Ring-Retaining
26	715016	Ring Set (Standard)	46	715250	Gear-Cam (Used After Code Date 94100200).			
		Note			Note			
	715017	Ring Set (.010" O.S.)		715010	Gear-Cam (Used Before Code Date 94100300).			
	715018	Ring Set (.020" O.S.)		715045	Gear-Cam Used on Model Series 115462.			

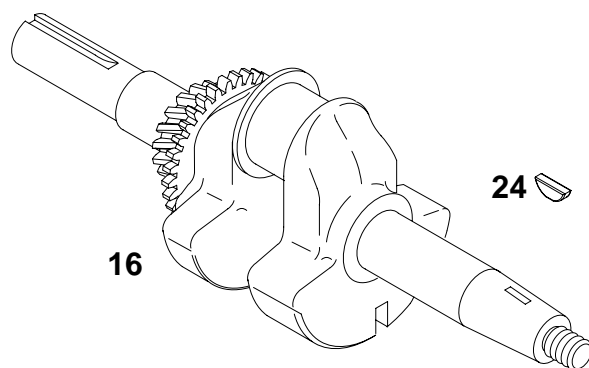
★ Included in Engine Gasket Set-Ref. No. 358.

● Included in Carburetor Overhaul Kit-Ref. No. 121.

△ Included in Valve Gasket Set-Ref. No. 1095.

◆ Included in Carburetor Gasket Set-Ref. No. 977

115400 to 115499



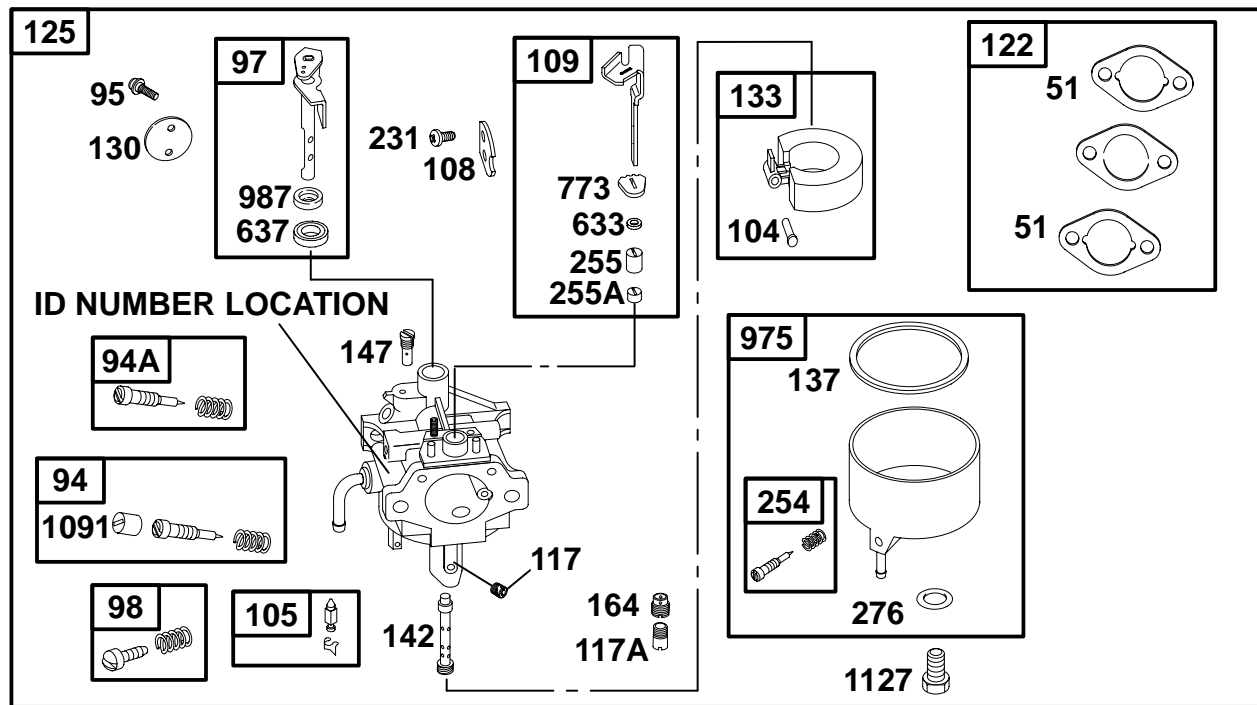
REF. NO.	PART NO.	DESCRIPTION	REF. NO.	PART NO.	DESCRIPTION	REF. NO.	PART NO.	DESCRIPTION
16	715241	Crankshaft (Used After Code Date 94100200). Used on Type No(s). 0038, 0040, 0041, 0050, 0059, 0078, 0080, 0081, 0104, 0123, 0238.						(Used Before Code Date 94100300). Used on Type No(s). 0058, 0100.
		Note						
	715041	Crankshaft (Used Before Code Date 94100300). Used on Type No(s). 0038, 0040, 0041, 0078, 0080, 0081, 0104.		715239	Crankshaft (Used After Code Date 94100200). Used on Type No(s). 0035, 0053, 0117.			
	715044	Crankshaft Used on Model Series 115462.		715039	Crankshaft (Used Before Code Date 94100300). Used on Type No(s). 0035, 0117.		715243	Crankshaft (Used After Code Date 94100200). Used on Type No(s). 0060, 0079.
	715238	Crankshaft (Used After Code Date 94100200). Used on Type No(s). 0029, 0111.		715240	Crankshaft (Used After Code Date 94100200). Used on Type No(s). 0036, 0037, 0039, 0047, 0054, 0107, 0126, 0130, 0236, 0530.		715043	Crankshaft (Used Before Code Date 94100300). Used on Type No(s). 0060, 0079.
	715040	Crankshaft (Used Before Code Date 94100300). Used on Type No(s). 0029, 0111.		715009	Crankshaft (Used Before Code Date 94100300). Used on Type No(s). 0036, 0037.		715254	Crankshaft (Used After Code Date 94100200). Used on Type No(s). 0115, 0116, 0131.
				715242	Crankshaft (Used After Code Date 94100200). Used on Type No(s). 0058.		715161	Crankshaft (Used Before Code Date 94100300). Used on Type No(s). 0115, 0116.
				715042	Crankshaft		715351	Crankshaft Used on Type No(s). 0061.

★ Included in Engine Gasket Set—Ref. No. 358.

● Included in Carburetor Overhaul Kit—Ref. No. 121.

△ Included in Valve Gasket Set—Ref. No. 1095.

◆ Included in Carburetor Gasket Set—Ref. No. 977



REF. NO.	PART NO.	DESCRIPTION	REF. NO.	PART NO.	DESCRIPTION	REF. NO.	PART NO.	DESCRIPTION
51	◆△★710060	Gasket-Intake			Used on Type No(s). 0037, 0040, 0041, 0080, 0126.			231653 Jet-Pilot (No. 475, Carb. ID No. G181AA)
94	715293	Kit-Idle Mixture (Carb. ID No. E18AA, E18AB, G181AA)			715311 Carburetor (Used Before Code Date 97070100). Used on Type No(s). 0037, 0040, 0041, 0080, 0126.			●231764 Jet-Pilot (No. 45, Non Emissions Carburetor)
94A	715076	Kit-Idle Mixture (Non Emissions Carburetor)			715562 Carburetor Used on Type No(s). 0538.	164	710940	Holder-Main Jet (Carb. ID No. G181AA)
95	710186	Screw (Throttle Valve)			715317 Carburetor Used on Type No(s). 0081.	231	710191	Screw (Choke Valve)
97	715141	Shaft-Throttle			715297 Carburetor Used on Type No(s). 0127.	254	715049	Drain-Carburetor Bowl
98	715074	Kit-Idle Speed				255	●710177	Bushing-Choke Shaft (Upper)
104	●710195	Pin-Float Hinge	130	710290	Valve-Throttle	255A	●710179	Bushing-Choke Shaft (Lower)
105	●715075	Valve-Float Needle	133	715079	Float-Carburetor Gasket-Float Bowl (Sold in Kit Only)	276	◆◆	Washer-Sealing (Sold in Kit Only)
108	710178	Valve-Choke	137	◆◆	Gasket-Float Bowl (Sold in Kit Only)	633	◆◆	Seal-Choke/Throttle Shaft (Sold in Kit Only)
109	715140	Shaft-Choke	142	●710286	Nozzle-Carburetor	637	◆◆	Washer- (Throttle Shaft Sold in Kit Only)
117	●231739	Jet-Main (No. 75)	147	●710188	Jet-Pilot (No. 425, Carb. ID No. E18AA, E18AB, G181AA)	773	●710175	Retainer
	Note					975	715050	Bowl-Float
		710510 Jet-Main (High Altitude, No. 725)				987	●710185	Seal-Throttle Shaft
117A	●710686	Jet-Main (No. 675, Carb. ID No. G181AA)				1091	710485	Cap-Limiter (Carb. ID No. E18AA, E18AB, G181AA)
122	715034	Spacer-Carburetor			Note	1127	710197	Screw-Bowl Mounting
125	715175	Carburetor			231644 Jet-Pilot (No. 40, High Altitude)			

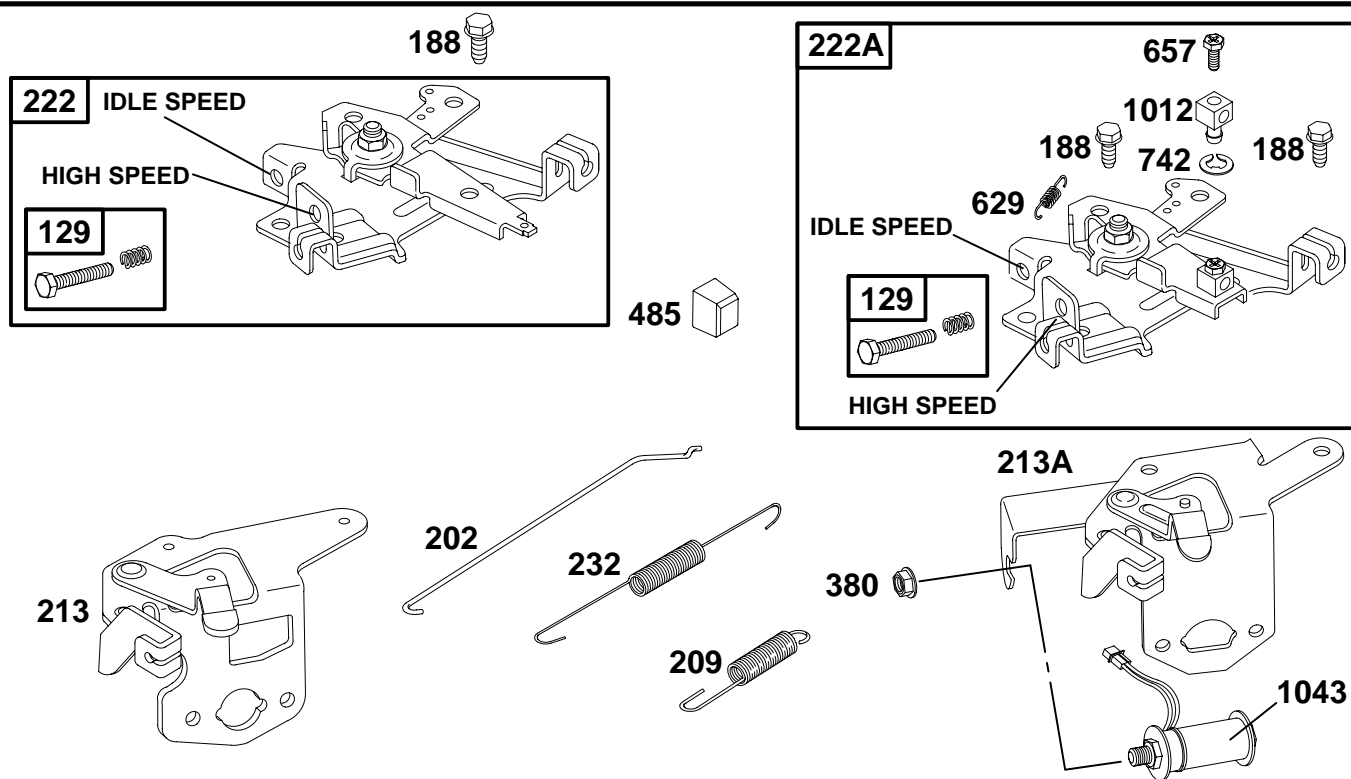
★ Included in Engine Gasket Set-Ref. No. 358.

● Included in Carburetor Overhaul Kit-Ref. No. 121.

△ Included in Valve Gasket Set-Ref. No. 1095.

◆ Included in Carburetor Gasket Set-Ref. No. 977

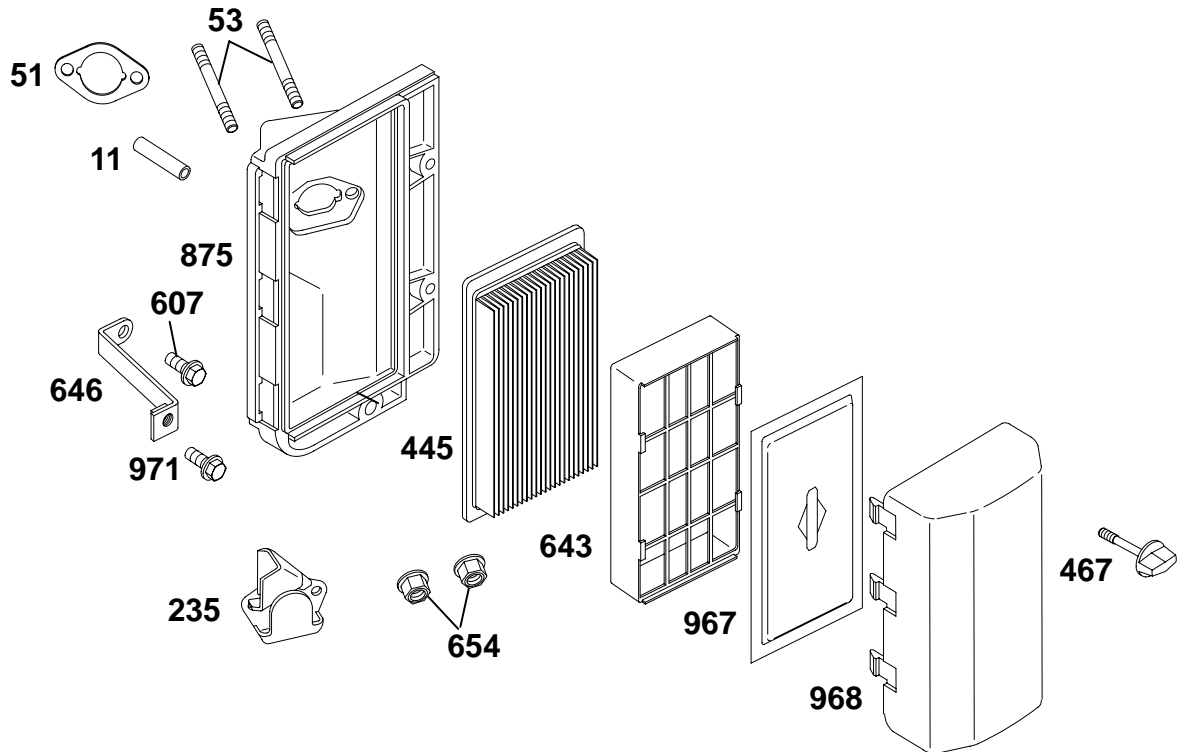
115400 to 115499



REF. NO.	PART NO.	DESCRIPTION	REF. NO.	PART NO.	DESCRIPTION	REF. NO.	PART NO.	DESCRIPTION
129	715024	Screw/Spring—Governor Speed Note 715170 Screw/Spring—Governor Speed Used on Type No(s). 0038, 0040, 0041, 0046, 0050, 0058, 0072, 0078, 0100, 0104, 0106, 0123.		710309	Spring—Governor Used on Type No(s). 0035, 0111, 0117. Spring—Governor Used on Type No(s). 0104, 0123.	222A	715295	Bracket—Control Used on Type No(s). 0115, 0116, 0131. Note 715296 Bracket—Control Used on Type No(s). 0130, 0530.
188	710057	Screw (Control Bracket)	213	710499	Bracket—Choke Control	232	710053	Spring—Governor Link
202	710052	Link—Mechanical Governor	213A	710500	Bracket—Choke Control Used on Type No(s). 0081.	380	710081	Nut (Electro Magnet)
209	710101	Spring—Governor Note 710134 Spring—Governor Used on Type No(s). 0038, 0040, 0041, 0046, 0072, 0106, 0128, 0238. 710283 Spring—Governor Used on Type No(s). 0038, 0040, 0050, 0058, 0059, 0078, 0080, 0100, 0104, 0127.	222	715025	Bracket—Control Note 715046 Bracket—Control Used on Type No(s). 0038, 0040, 0041, 0046, 0050, 0058, 0059, 0072, 0078, 0080, 0081, 0100, 0104, 0106, 0123, 0238.	485	280715	Knob—Control
						629	710475	Spring Used on Type No(s). 0115, 0116, 0131.
						657	710478	Screw—Phillips
						742	710477	Retainer
						1012	710476	Retainer—Link
						1043	692955	Electro—Magnet

★ Included in Engine Gasket Set—Ref. No. 358.
● Included in Carburetor Overhaul Kit—Ref. No. 121.

△ Included in Valve Gasket Set—Ref. No. 1095.
◆ Included in Carburetor Gasket Set—Ref. No. 977



REF. NO.	PART NO.	DESCRIPTION	REF. NO.	PART NO.	DESCRIPTION	REF. NO.	PART NO.	DESCRIPTION
11	710115	Tube-Breather Note 710450 Tube-Breather Used on Type No(s). 0081.	235	710112	Shield-Fuel Spray	654	710068	Nut (Carburetor)
51★◆	710060	Gasket-Intake	445	494511	Filter-Air Cleaner Cartridge	875	710110	Base-Air Cleaner
53	710116	Stud (Carburetor)	467	710113	Knob-Air Cleaner	967	492889	Filter-Pre Cleaner
			607	710117	Screw (Air Cleaner Brace)	968	710111	Cover-Air Cleaner
			643	710122	Retainer-Air Filter	971	710023	Screw (Air Cleaner Base)
			646	710114	Brace-Air Cleaner			

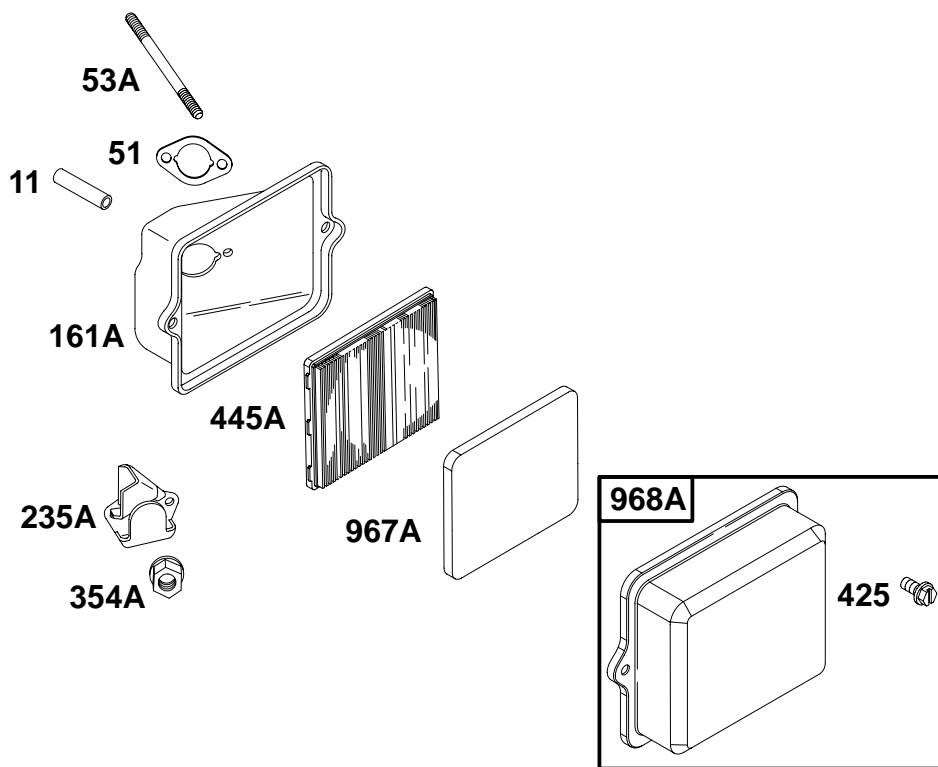
★ Included in Engine Gasket Set-Ref. No. 358.

● Included in Carburetor Overhaul Kit-Ref. No. 121.

△ Included in Valve Gasket Set-Ref. No. 1095.

◆ Included in Carburetor Gasket Set-Ref. No. 977

115400 to 115499



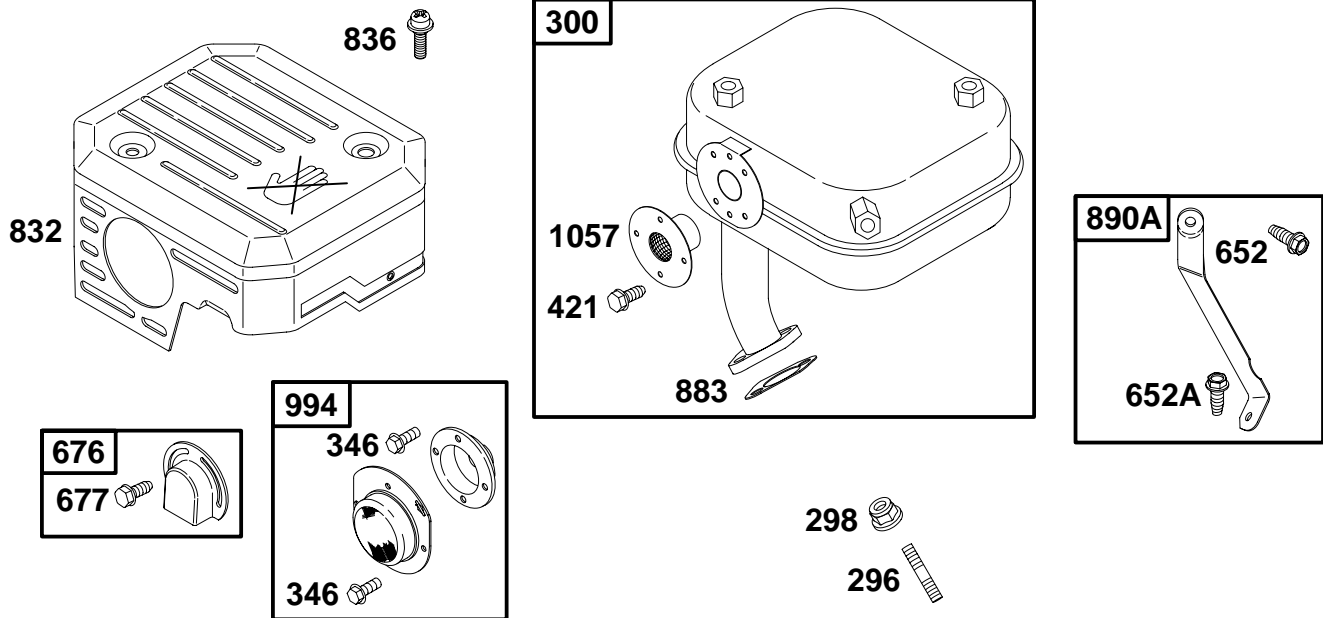
REF. NO.	PART NO.	DESCRIPTION	REF. NO.	PART NO.	DESCRIPTION	REF. NO.	PART NO.	DESCRIPTION
11	710115	Tube-Breather	235A	710522	Shield-Fuel Spray	654	710068	Nut (Carburetor)
51★	△710060	Gasket-Intake	425	490073	Screw (Air Cleaner Cover)	967A	491435	Filter-Pre Cleaner
53A	710148	Stud (Carburetor)	445A	491588	Filter-Air Cleaner Cartridge	968A	692321	Cover-Air Cleaner
161A	710521	Base-Air Cleaner						

★ Included in Engine Gasket Set-Ref. No. 358.

● Included in Carburetor Overhaul Kit-Ref. No. 121.

△ Included in Valve Gasket Set-Ref. No. 1095.

◆ Included in Carburetor Gasket Set-Ref. No. 977



REF. NO.	PART NO.	DESCRIPTION	REF. NO.	PART NO.	DESCRIPTION	REF. NO.	PART NO.	DESCRIPTION
296	710099	Stud (Muffler)	652	710057	Screw (Support Bracket)	836	710074	Screw (Muffler Guard)
298	710090	Nut (Muffler)	652A	710248	Screw (Muffler Bracket)	883	Δ*710082	Gasket-Exhaust
300	715435	Muffler	676	715230	Deflector-Muffler	890A	715319	Bracket-Support
346	690661	Screw (Spark Arrester)	677	710307	Nut (Muffler Deflector)	994	715491	Arrester-Spark
421	690661	Screw (Outlet Screen)	832	710333	Guard-Muffler	1057	710329	Screen-Outlet

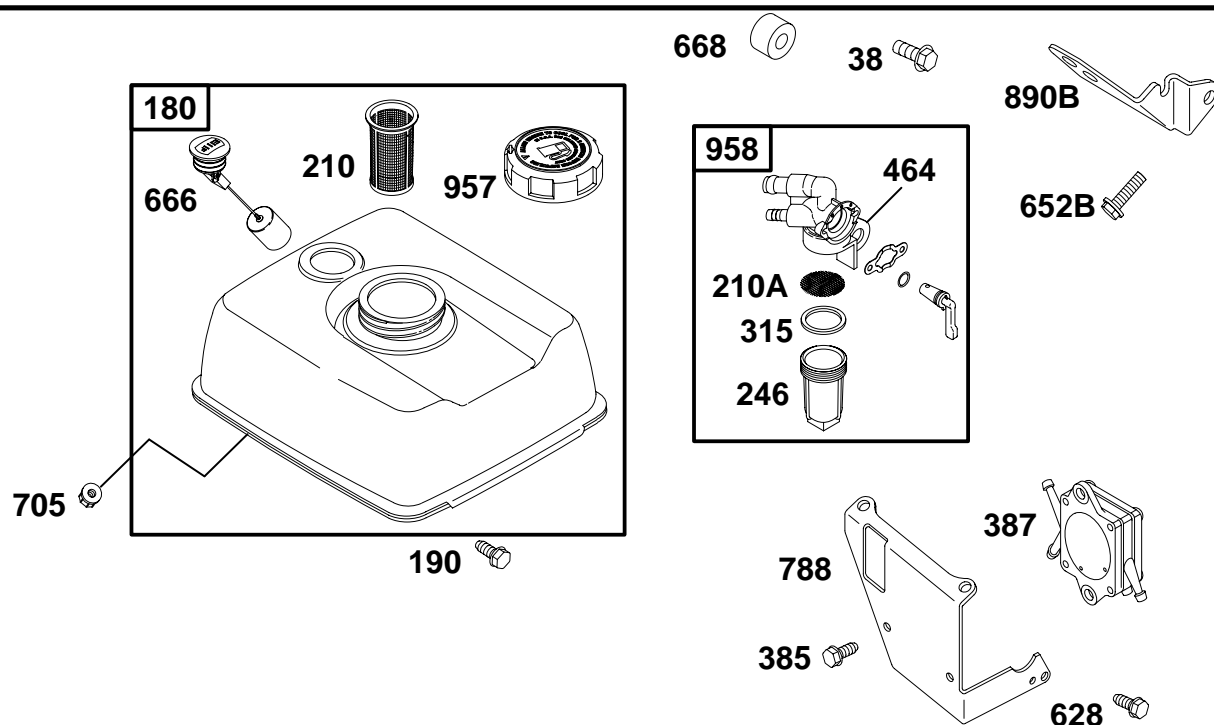
★ Included in Engine Gasket Set-Ref. No. 358.

● Included in Carburetor Overhaul Kit-Ref. Nol 121.

Δ Included in Valve Gasket Set-Ref. No. 1095.

◆ Included in Carburetor Gasket Set-Ref. No. 977

115400 to 115499



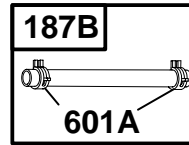
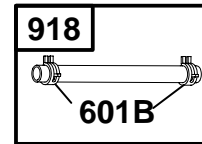
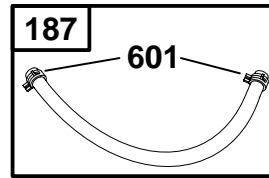
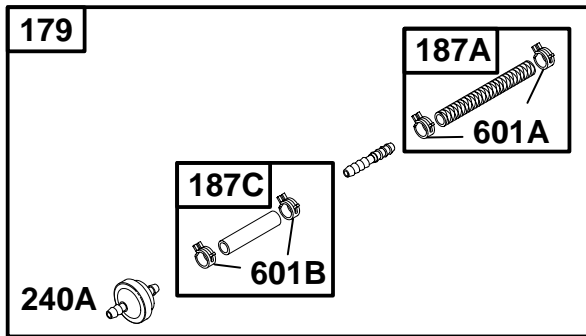
REF. NO.	PART NO.	DESCRIPTION	REF. NO.	PART NO.	DESCRIPTION	REF. NO.	PART NO.	DESCRIPTION
38	710160	Screw (Fuel Shut Off Valve)	464	★710069	O-Ring Seal (Shut Off Valve)	705	710068	Nut (Fuel Tank)
180	715306	Tank-Fuel	601	710067	Clamp-Hose	788	710434	Bracket-Fuel Pump
190	710023	Screw (Fuel Tank)	601A	710075	Clamp-Hose	890B	710073	Bracket-Support (Used Before Code Date 94050100).
210	710065	Strainer-Fuel	601B	93053	Clamp-Hose	957	710490	Cap-Fuel Tank
210A	710071	Strainer-Fuel	628	710248	Screw (Fuel Pump Bracket)	958	715027	Valve-Fuel Shut Off
246	710070	Bowl-Filter	652B	710074	Screw (Support Bracket) (Used Before Code Date 94050100).	Note		
315	★710072	Seal-O-Ring (Filter Bowl)	666	710066	Gauge-Fuel	715224 Valve-Fuel Shut Off Used on Type No(s). 0116, 0131.		
385	710234	Screw (Fuel Pump)	668	710159	Spacer			
387	715303	Pump-Fuel (Used After Code Date 95053100). Used on Type No(s). 0116, 0131.						
			Note					
			715225 Pump-Fuel (Used Before Code Date 95060100). Used on Type No(s). 0116.					

★ Included in Engine Gasket Set-Ref. No. 358.

● Included in Carburetor Overhaul Kit-Ref. Nol 121.

△ Included in Valve Gasket Set-Ref. No. 1095.

◆ Included in Carburetor Gasket Set-Ref. No. 977

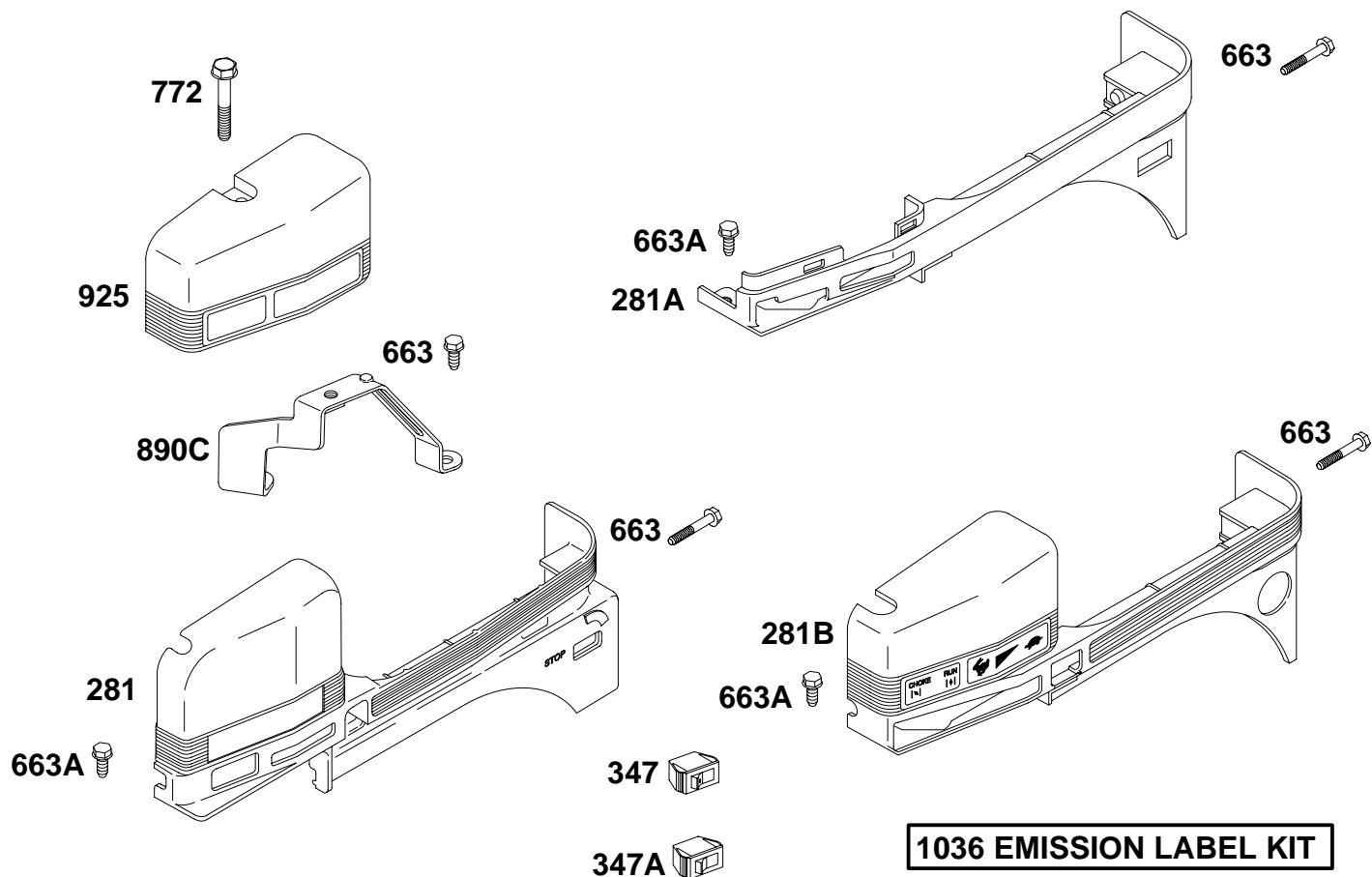


REF. NO.	PART NO.	DESCRIPTION	REF. NO.	PART NO.	DESCRIPTION	REF. NO.	PART NO.	DESCRIPTION
179	715172	Line-Fuel (Used Before Code Date 95080100). Used on Type No(s). 0037, 0040, 0041, 0080, 0081.	187A	715126	Line-Fuel (4mm ID)	918	499214	Hose-Vacuum (Used After Code Date 95053100). Used on Type No(s). 0116, 0131.
187	715125	Line-Fuel (8mm ID,) (Fuel Tank To Fuel Shut Off Valve, Cut to Required Length)	187B	715510	Line-Fuel (4mm ID, Fuel Pump To Carburetor, Cut to Required Length)	<p align="center">Note</p> 715292 Hose-Vacuum (Used Before Code Date 95060100). Used on Type No(s). 0116.		
			187C	296004	Line-Fuel (0.250 in. ID)			
			240	298090	Fuel Filter			
			601	710067	Clamp-Hose			
			601A	710075	Clamp-Hose			
			601B	93053	Clamp-Hose			

★ Included in Engine Gasket Set-Ref. No. 358.
● Included in Carburetor Overhaul Kit-Ref. Nol 121.

△ Included in Valve Gasket Set-Ref. No. 1095.
◆ Included in Carburetor Gasket Set-Ref. No. 977

115400 to 115499



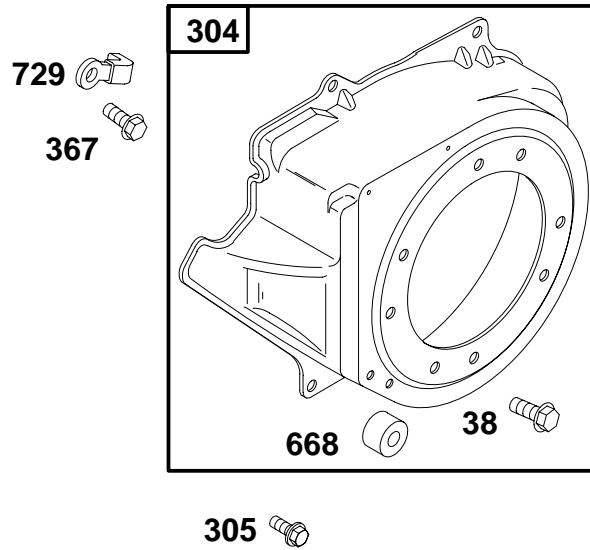
REF. NO.	PART NO.	DESCRIPTION	REF. NO.	PART NO.	DESCRIPTION	REF. NO.	PART NO.	DESCRIPTION
281	715313	Panel—Control (Non Electric Start Engines)	663A	710234	Screw (Control Panel)	1036	710899	Label—Emissions (Used After Code Date 99093000)
281A	710092	Panel—Control Used on Type No(s). 0037, 0041, 0081, 0127, 0129, 0236, 0238, 0538.	772	710096	Screw (Linkage Cover)	<p align="center">Note</p> <p>710886 Label—Emissions (Used After Code Date 98123100 and Before Code Date 99100100).</p> <p>499339 Label—Emissions (Used After Code Date 97063000 and Before Code Date 99010100).</p> <p>499338 Label—Emissions (Used Before Code Date 97070100).</p>		
281B	715314	Panel—Control (Used on Electric Start Engines)	890C		Bracket—Support			
347	493521	Switch—Rocker (Without Lamp)			Replaced with:			
347A	495098	Switch—Rocker (With Lamp)			715313 for Non—Electric Start Engine			
652	710057	Screw (Support Bracket)			715314 for Electric Start Engine			
663	710095	Screw (Control Panel)	925	710093	Cover—Linkage			
					Replaced with:			
					715313 for Non—Electric Start Engine			
					715314 for Electric Start Engine			
					(Used Before Code Date 95070100).			

★ Included in Engine Gasket Set—Ref. No. 358.

● Included in Carburetor Overhaul Kit—Ref. No. 121.

△ Included in Valve Gasket Set—Ref. No. 1095.

◆ Included in Carburetor Gasket Set—Ref. No. 977

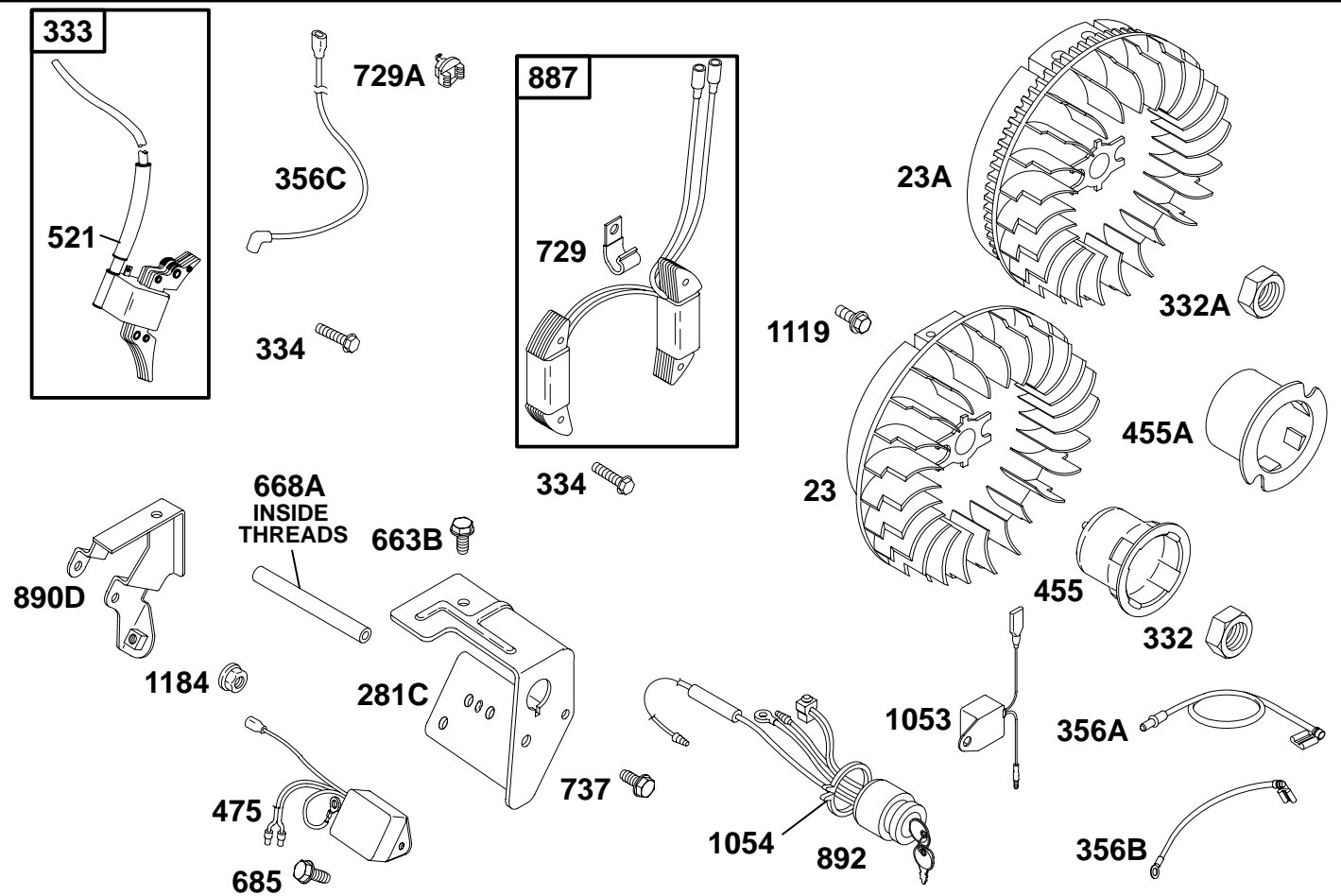


REF. NO.	PART NO.	DESCRIPTION	REF. NO.	PART NO.	DESCRIPTION	REF. NO.	PART NO.	DESCRIPTION
38	710160	Screw (Fuel Shut Off Valve)	304	715213	Housing-Blower (Used After Code Date 94043000). Note 710104 Housing-Blower (Used Before Code Date 94050100). 710433 Housing-Blower Used on Type No(s). 0036, 0078, 0080, 0130, 0530. 715212 Housing-Blower (Used After Code Date 94043000). Used on Type No(s). 0046, 0072, 0106, 0128. 710131 Housing-Blower (Used Before Code Date 94050100). Used on Type No(s). 0072.	367	710023	Screw (Wire Clip)
						668	710159	Spacer
						729	710083	Clip-Wire

★ Included in Engine Gasket Set-Ref. No. 358.
 ● Included in Carburetor Overhaul Kit-Ref. Nol 121.

△ Included in Valve Gasket Set-Ref. No. 1095.
 ◆ Included in Carburetor Gasket Set-Ref. No. 977

115400 to 115499



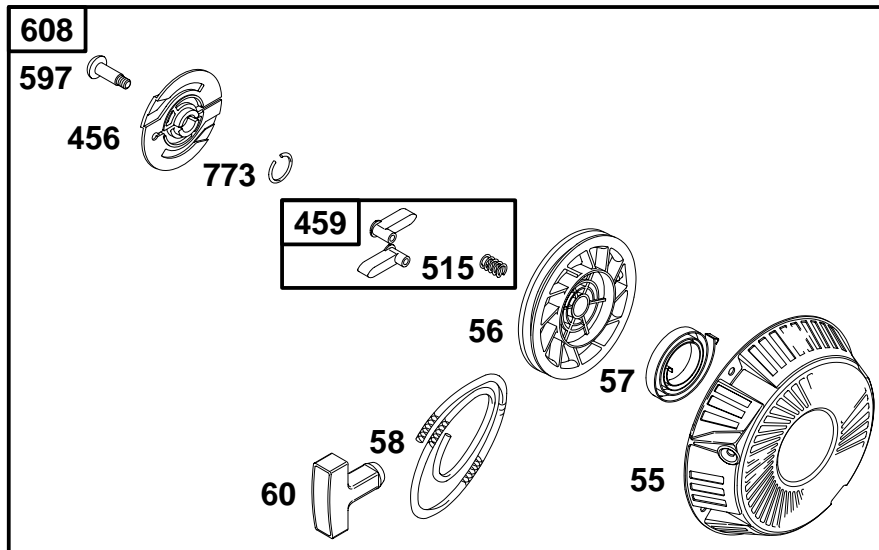
REF. NO.	PART NO.	DESCRIPTION	REF. NO.	PART NO.	DESCRIPTION	REF. NO.	PART NO.	DESCRIPTION
23	710043	Flywheel Note 710128 Flywheel Used on Type No(s). 0046, 0128.	356B	710087	Wire-Stop	668A	710443	Spacer
23A	715302	Flywheel	356C	710324	Wire-Stop	685	710089	Screw (Rectifier)
281C	710479	Panel-Control	455	710277	Cup-Flywheel (Used After Code Date 94050200).	729	710083	Clip-Wire
332	710048	Nut (Flywheel)	455A	710108	Cup-Flywheel (Used Before Code Date 94050300).	729A	710046	Clip-Wire
332A	710345	Nut (Flywheel)			Note 710132 Cup-Flywheel Used on Type No(s). 0046, 0106, 0128.	887	715255	Alternator
333	715023	Armature-Magneto	475	715200	Rectifier	890D	710441	Bracket-Support
334	710047	Screw (Magneto Armature)	521	710045	Shield-Cable	892	715199	Key-Switch (Includes Keys)
356A	710120	Wire-Stop (Red, Rocker Switch to Module)	663B	710074	Screw (Control Panel)	1053	710305	Module-Oil Gard®
						1054	710349	Tie-Cable
						1119	710023	Screw (Alternator)
						1184	710068	Nut (Support Bracket)

★ Included in Engine Gasket Set-Ref. No. 358.

● Included in Carburetor Overhaul Kit-Ref. No. 121.

△ Included in Valve Gasket Set-Ref. No. 1095.

◆ Included in Carburetor Gasket Set-Ref. No. 977

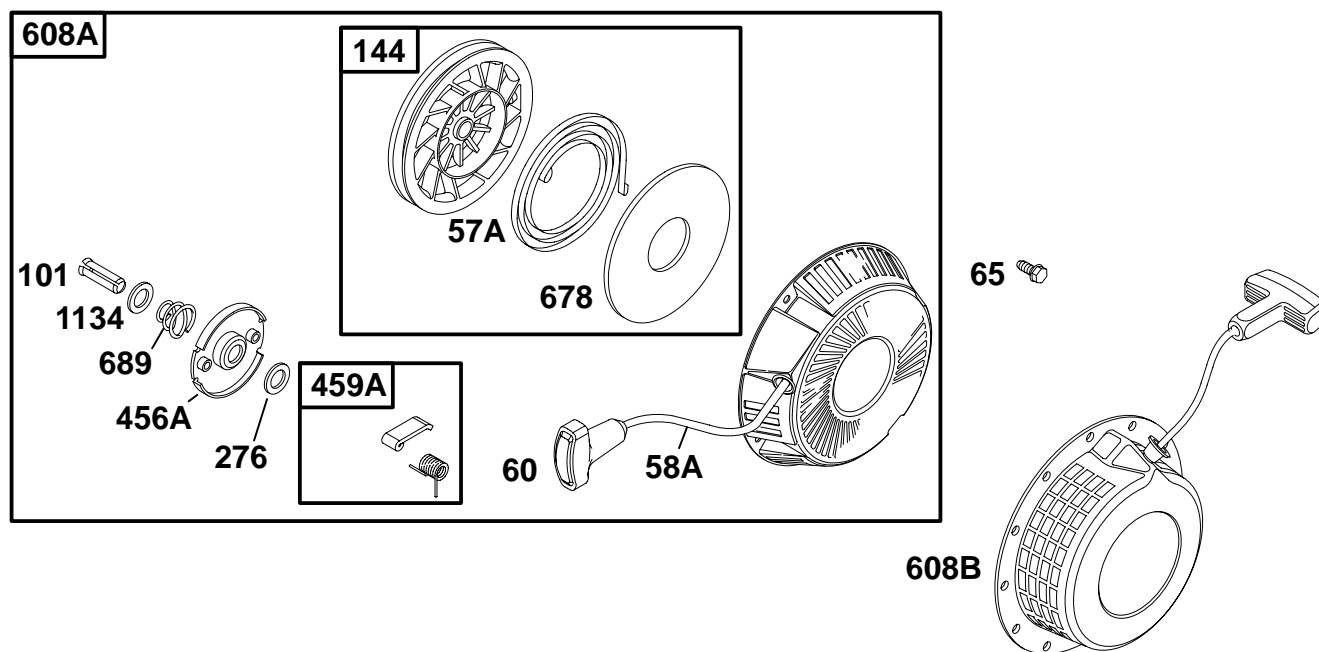


REF. NO.	PART NO.	DESCRIPTION	REF. NO.	PART NO.	DESCRIPTION	REF. NO.	PART NO.	DESCRIPTION
55	715132	Housing-Rewind Starter	60	490652	Grip-Starter Rope	608	715133	Starter-Rewind (Used After Code Date 94050200).
56	710274	Pulley-Starter	65	710074	Screw (Rewind Starter)			Note
57	710270	Spring-Rewind Starter	456	710272	Plate-Pawl Friction			715226 Starter-Rewind (Used Before Code Date 94050100).
58	710275	Rope-Starter (Cut to Required Length)	459	715256	Pawl-Ratchet			Include(s):
			515	691528	Spring-Pawl			710277 Cup-Flywheel Retainer
			597	805955	Screw (Pawl Friction Plate)	773	805952	

★ Included in Engine Gasket Set-Ref. No. 358.
 ● Included in Carburetor Overhaul Kit-Ref. Nol 121.

△ Included in Valve Gasket Set-Ref. No. 1095.
 ◆ Included in Carburetor Gasket Set-Ref. No. 977

115400 to 115499



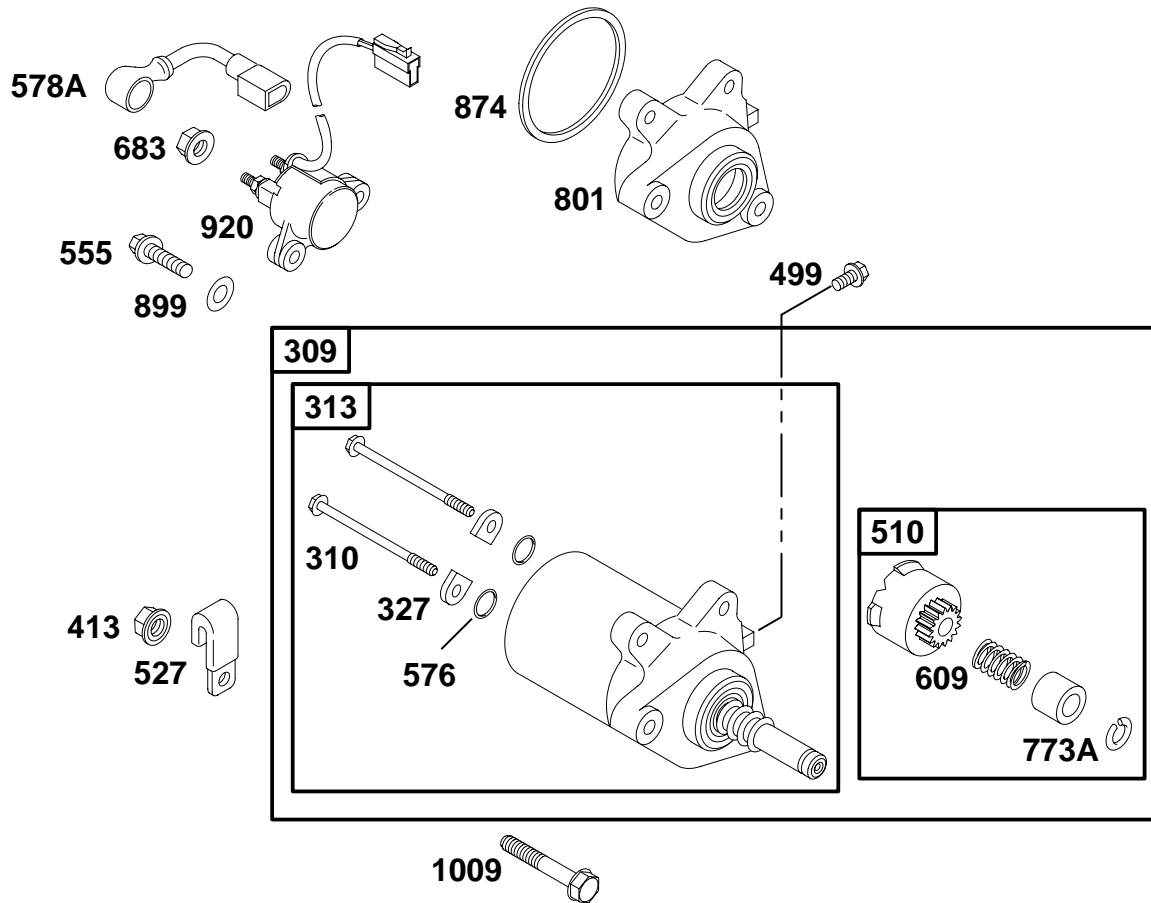
REF. NO.	PART NO.	DESCRIPTION	REF. NO.	PART NO.	DESCRIPTION	REF. NO.	PART NO.	DESCRIPTION
57A	491889	Spring-Rewind Starter	276	280973	Washer-Sealing	608B	715128	Starter-Rewind
58A	280399	Rope-Starter (Cut to Required Length)	456A	224321	Plate-Pawl Friction			Used on Type No(s). 0046, 0072, 0101, 0106, 0128, 0135.
60	490652	Grip-Starter Grip	459A	492833	Pawl-Ratchet	678	224278	Spacer-Rewind
65	710074	Screw (Rewind Starter)	461A	262626	Pin-Shaft	1134	224322	Washer (Pawl Friction Plate)
144	493824	Pulley/Spring Assembly	515A	262625	Spring-Friction Starter-Rewind (See Previous Page)			
			608A					

★ Included in Engine Gasket Set-Ref. No. 358.

● Included in Carburetor Overhaul Kit-Ref. Nol 121.

△ Included in Valve Gasket Set-Ref. No. 1095.

◆ Included in Carburetor Gasket Set-Ref. No. 977



REF. NO.	PART NO.	DESCRIPTION	REF. NO.	PART NO.	DESCRIPTION	REF. NO.	PART NO.	DESCRIPTION
309	715412	Motor-Starter	510	715289	Drive-Starter	874	710462	Seal-O-Ring (Drive Cap)
310	710465	Bolt (Starter Motor)	527	710100	Clamp-Tube	899	710361	Washer (Starter Solenoid)
313	715288	Starter Sub Assembly	555	710466	Screw (Starter Solenoid)	920	710470	Solenoid-Starter
327	710464	Washer (Starter Sub Assembly)	578A	710467	Wire Assembly	1009	710348	Screw (Starter Motor)
413	710081	Nut (Starter Motor)	609	710473	Spring-Starter Drive			
499	710468	Screw (Starter Sub Assembly)	683	710362	Nut (Starter Solenoid)			
			773A	710474	Retainer			
			801	710469	Cap-Drive (Includes Brush Set)			

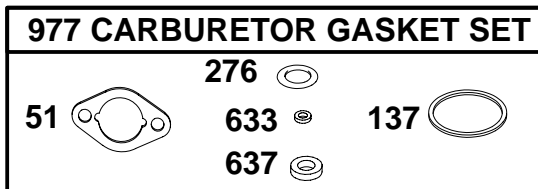
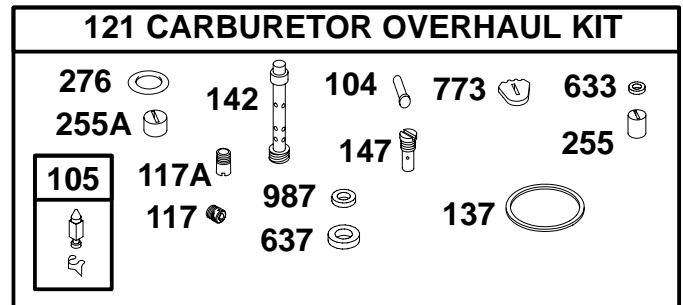
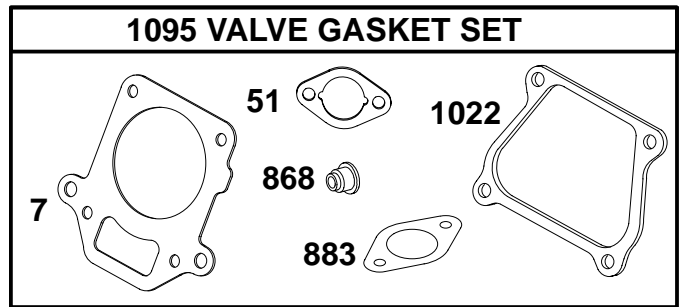
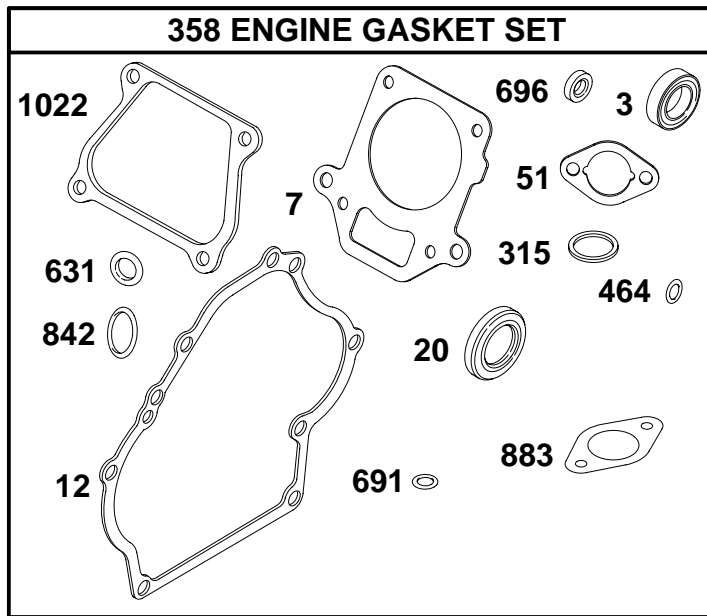
★ Included in Engine Gasket Set-Ref. No. 358.

● Included in Carburetor Overhaul Kit-Ref. No. 121.

△ Included in Valve Gasket Set-Ref. No. 1095.

◆ Included in Carburetor Gasket Set-Ref. No. 977

115400 to 115499



REF. NO.	PART NO.	DESCRIPTION	REF. NO.	PART NO.	DESCRIPTION	REF. NO.	PART NO.	DESCRIPTION
	3	★710000 Seal—Oil (Magneto Side)		147	●710188 Jet—Pilot (No. 425, Carb. ID No. E18AA, E18AB, G181AA)		631	★710004 Washer (Oil Drain Plug)
	7	Δ★710021 Gasket—Cylinder Head			Note		633	◆ Seal—Choke/Throttle Shaft (Sold in Kit Only)
	12	★710036 Gasket—Crankcase			●231764 Jet—Pilot (No. 45, Non Emissions Carburetor)		637	◆ Washer (Throttle Shaft) (Sold in Kit Only)
	20	★710031 Seal—Oil (PTO Side)		255	●710177 Bushing—Choke Shaft (Upper)		691	★710055 Seal—Governor Shaft
	51	★◆710060 Gasket—Intake		255A	●710179 Bushing—Choke Shaft (Lower)		696	★710091 O—Ring Seal (Oil Sensor)
	104	●710195 Pin—Float Hinge		276	◆ Washer—Sealing (Sold in Kit Only)		773	●710175 Retainer
	105	●715075 Valve—Float Needle		315	★710072 O—Ring Seal (Filter Bowl)		842	★710029 Dipstick/Tube Seal
	117	●231739 Jet—Main (No. 75)		358	715032 Gasket Set—Engine		868	Δ710019 Seal—Valve
	117A	●710686 Jet—Main (No. 675, Carb. ID No. G181AA)		464	★710069 O—Ring Seal (Fuel Shut Off Valve)		883	Δ★710082 Gasket—Exhaust
	121	715139 Kit—Carburetor Overhaul					977	715081 Gasket Set—Carburetor
	137	◆ Gasket—Float Bowl (Sold in Kit Only)					987	●710185 Seal—Throttle Shaft
	142	●710286 Nozzle—Carburetor					1022	Δ★710024 Gasket—Rocker Cover
							1095	715048 Gasket Set—Valve

★ Included in Engine Gasket Set—Ref. No. 358.

● Included in Carburetor Overhaul Kit—Ref. No. 121.

Δ Included in Valve Gasket Set—Ref. No. 1095.

◆ Included in Carburetor Gasket Set—Ref. No. 977