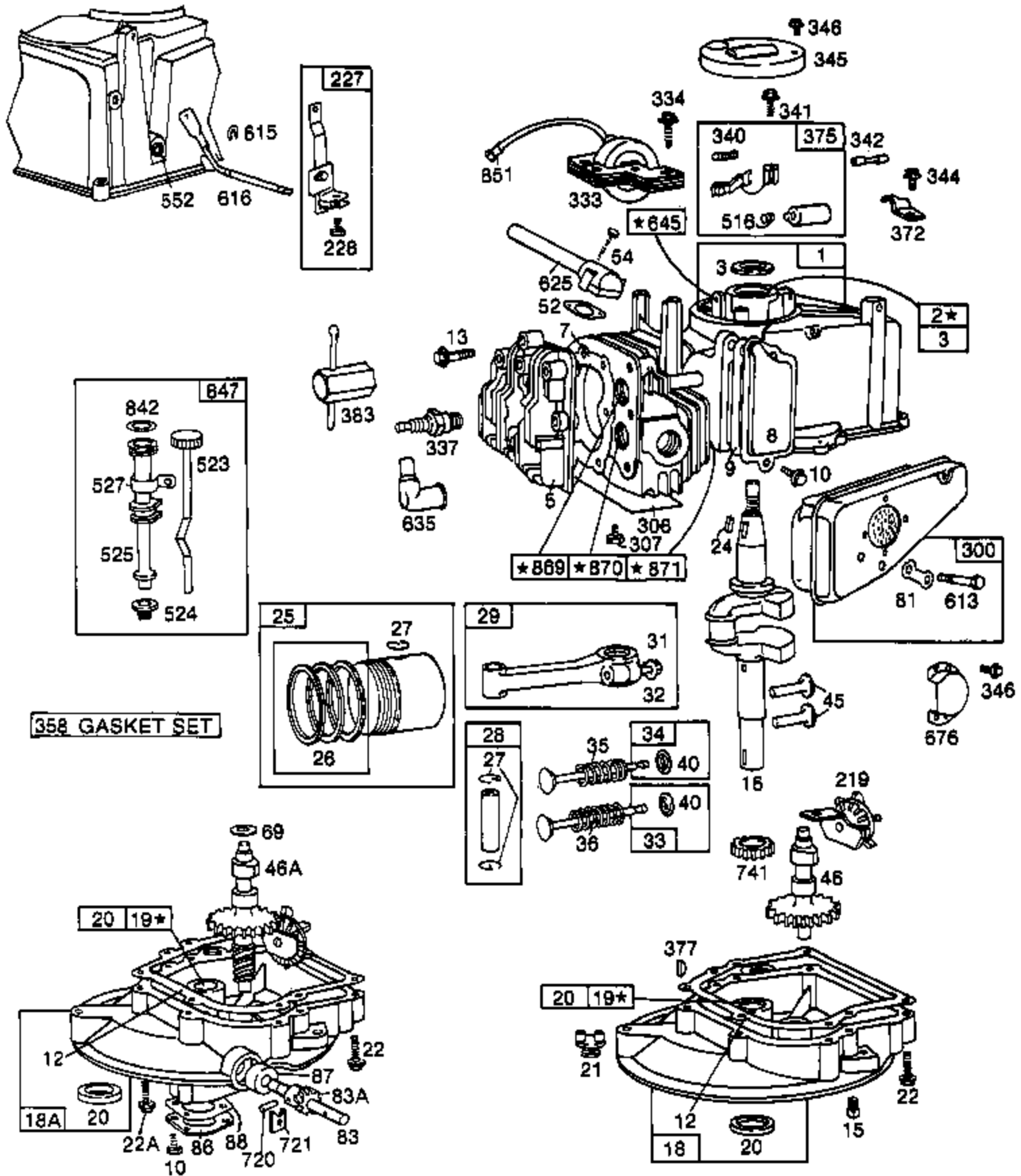
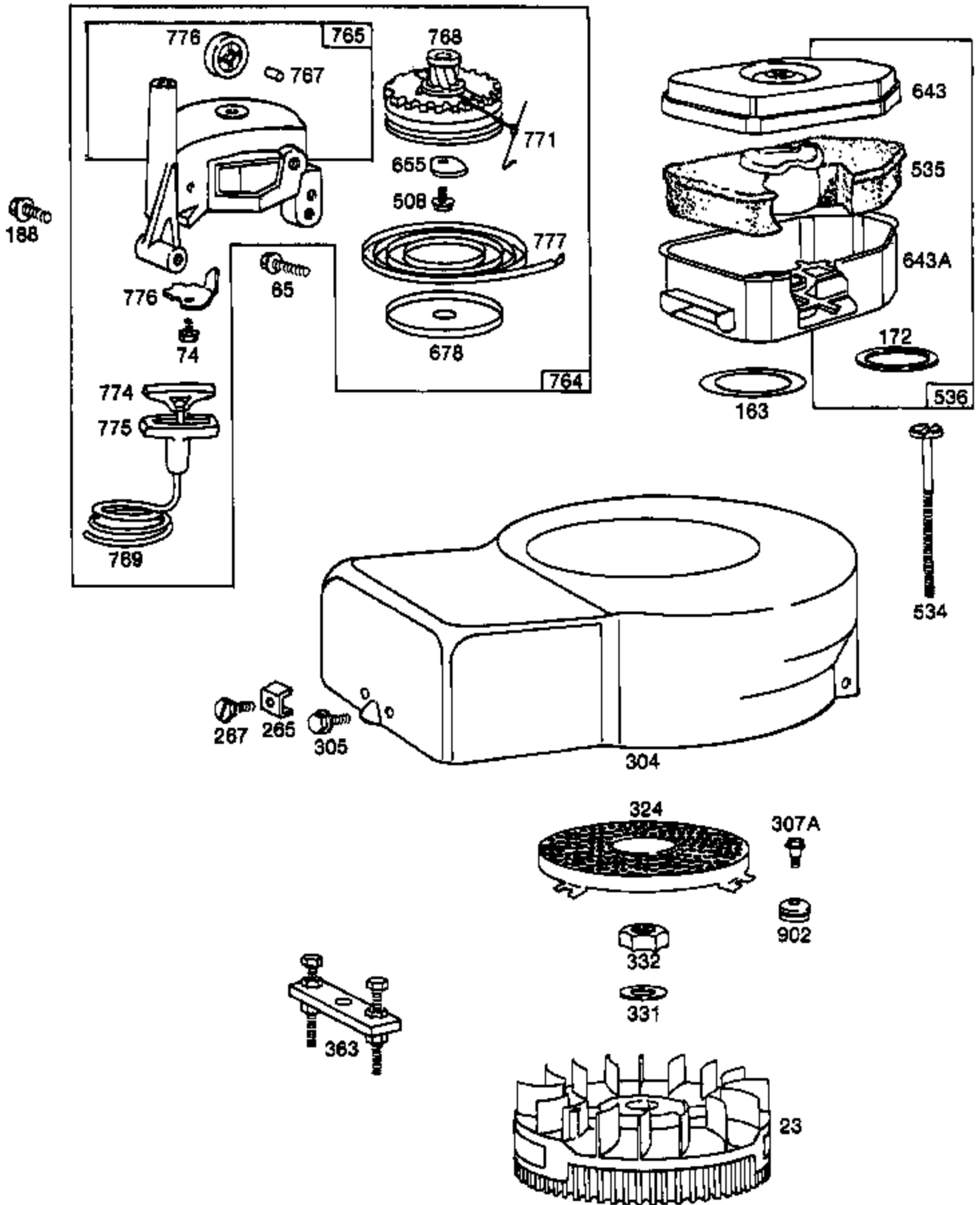
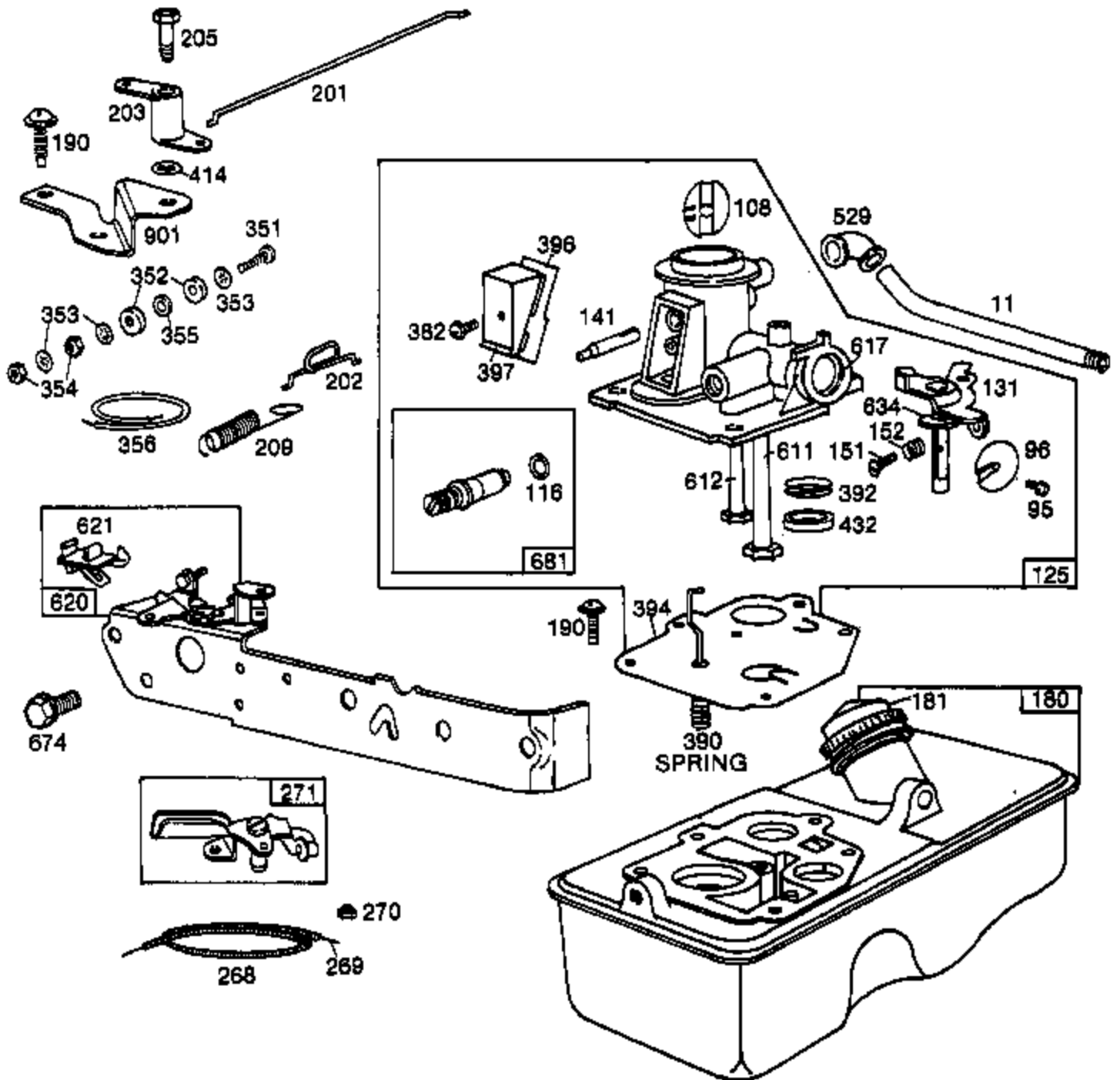


FORM MS- 7717  
11/83  
Model Series  
113900 to 113999  
Non- Compliance  
TYPE NUMBERS  
0015 through 0017  
0051, 0052, 0117, 0120  
0130 through 0148  
0156, 0158, 0160



\*REQUIRES SPECIAL TOOLS TO INSTALL.  
SEE REPAIR INSTRUCTION MANUAL.





1	394740	Cylinder Assembly
2	293708	Bushing--Cylinder
	Note:	Requires special tools for installation.
3	299819	Seal--Oil
5	211851	Head--Cylinder
7	*270836	Gasket--Cylinder Hd.
8	298383	Breather--Valve Chamber
9	*270239	Gasket--Valve Cover
10	93394	Screw--Breather and P. T. O. Gear Sump Cover (Ref. No. 86) Mounting Sem
11	231043	Tube--Breather
12	*270833	Gasket--Crankcase-- .015" thick (Standard)
	*270895	Gasket--Crankcase-- .005" thick
	*270896	Gasket--Crankcase-- .009" thick
13	93111	Screw--Cylinder Hd.-- (1-15/16" long)
15	91084	Plug--Oil Drain--
	Note:	93418 Plug--Oil Drain (Socket Head) Used on Type No. 0137.
16	394643	Crankshaft
	Note:	394793 Crankshaft Used on Type Nos. 0016, 0052, 0133, 0134, 0138, 0139, 0140, 0142, 0143, 0144, 0148. 394881 Crankshaft Used on Type Nos. 0017, 0136.
18	394157	Sump--Oil
18A	391645	Sump--Oil
		Used on Model 113985 and 113988 Series.
19	293709	Bushing--Oil Sump--
	Note:	Requires special tools for installation.
20	391483	Seal--Oil
21	66768	Plug--Oil Filler
22	93032	Screw--Sump Mtg. Sem
22A	93415	Screw--Sump Mtg. Sem
		(One used in Auxiliary Drive Gear Sump) on Model 113985 and 113988 Series.
	Note:	Use 93032 Screw in the other (5) Sump Mounting Holes.
23	394032	Flywheel - Magneto
24	61760	Key- Flywheel
25	391650	Piston Assy. - Standard
	391651	Piston Assy. - .010" O. S.
	391652	Piston Assy. - .020" O. S.
	391653	Piston Assy. - .030" O. S.

## PISTON RING SETS:

Note: For Chrome Piston Ring Set--standard size--order Part No. 392330.

26	391654	Ring Set-- Standard Piston
	391656	Ring Set-- .010" O. S. Piston
	391658	Ring Set-- .020" O. S. Piston
	391660	Ring Set-- .030" O. S. Piston
27	26026	Lock-- Piston Pin
28	391649	Pin Assembly-- Piston-- Standard
	394861	Pin Assembly-- Piston-- .005" O. S.
29	391640	Rod Assembly-- Connecting
	Note:	For Connecting Rod with .020" undersize Crankpin Bearing-- Order No. 393710.
31	222390	Lock-- Connecting Rod Screw
32	93670	Screw-- Connecting Rod
33	212004	Valve-- Exhaust
34	261233	Valve-- Intake
35	260552	Spring-- Intake Valve
36	26478	Spring-- Exhaust Valve
40	93312	Retainer-- Valve Spring
45	261250	Tappet-- Valve
46	212021	Gear-- Cam
46A	394791	Cam Gear, Worm and Oil Slinger Assy. (Clockwise Rotation)
	Note:	394706 Cam Gear, Worm and Oil Slinger Assembly (Counterclockwise) Used on Type Nos. 0051, 0130, 0141, 0146, 0156, 0160.
52	*270844	Gasket-- Intake Elbow
54	93485	Screw-- Intake Elbow Mounting
65	93587	Screw-- Vertical Pull Starter Mounting
69	66874	Washer-- Thrust (11/16" O. D. x 15/32" O. D.)
	Note:	68938 Washer-- Thrust (13/16" O. D. x 17/32" I. D.) Used on Auxiliary Drive P. T. O. Camshaft and is located next to the Worm Gear.
74	93490	Screw-- Sem
81	223256	Lock-- Muffler Screw
83	230831	Shaft-- Drive
	Note:	230952 Shaft-- Drive Used on Type Nos. 0141, 0146. 230948 Shaft-- Drive Used on Type No. 0144.
83A	231278	Gear-- Drive
	Note:	231279 Gear-- Drive Used on Type Nos. 0051, 0130, 0141, 0146, 0156, 0160.
86	221780	Cover-- Sump

87	391484	Seal-- Oil
88	270328	Gasket-- Sump Cover
95	93499	Screw-- Throttle Valve Mounting Sem
96	211237	Valve-- Throttle
108	280178	Valve-- Choke
116	280203	O- Ring
125	394739	Carburetor Assembly
131	394035	Shaft and Lever-- Throttle
141	68908	Shaft-- Choke
151	93524	Screw-- Rd. Hd. -- 5- 40 x 1/2
152	260746	Spring-- Throttle Adj.
163	271139	Gasket-- Air Cleaner Mounting
172	271273	Gasket-- Air Cleaner
180	391694	Tank Assembly-- Fuel
181	298425	Cap-- Fuel Tank
188	93585	Screw-- Fuel Tank and Starter Mounting
190	93440	Screw-- Fuel Tank Mtg.
201	261539	Link-- Governor
202	261619	Link-- Throttle
203	280272	Crank-- Bell
205	93838	Screw-- Shoul der
209	261618	Spring-- Governor (For 3200 to 3400 RPM Top Speed Set-- No Load)
Note:	261642	Spring- Governor (For 2900 to 3100 RPM Top Speed Set-- No Load) Used on Type Nos. 0015, 0016, 0017, 0051, 0052, 0130, 0133, 0135, 0140, 0142, 0143, 0144, 0147, 0148, 0156. 261643 Spring-- Governor (For 3500 to 3700 RPM Top Speed Set-- No Load) Used on Type Nos. 0134, 0138, 0146.  261644 Spring-- Governor (For 2600 to 2800 RPM Top Speed Set-- No Load) Used on Type Nos. 0158, 0160.
219	394044	Oil Slinger Assy.
227	394115	Lever Assy. -- Governor
228	93758	Screw-- Hex. Hd.
265	22372	Clamp-- Casing
267	93469	Screw-- Clamp Mtg.
268	66986	Casing-- Control Wire-- 48" long
Note:		If longer casing is needed, specify length in inches; if a shorter casing is needed order No. 66986 and cut to required length.
269	26099	Wire Control, 54" long
Note:		If longer wire is

		needed, specify length in inches; if shorter wire is needed order No. 26099 and cut to required length.
270	63426	Locknut-- Control Wire Casing
271	290568	Lever Assembly Control
300	394644	Muffler-- Exhaust (Includes No. 270774 Mounting Gasket)
304	395509	Housing-- Blower
305	93559	Screw-- Blower Housing Mounting Sem
306	223263	Shield-- Cylinder
307	93490	Screw-- Cylinder Shield Mounting Sem
307A	93926	Screw-- Shoulder
324	223006	Screen-- Rotating
331	223047	Washer-- Flywheel
332	92284	Nut-- Flywheel
333	298502	Armature-- Magneto
334	93381	Screw-- Armature Mounting Sem
337	298809	Plug-- Spark 1-1/2" high-- (37-42 M M)
Note:	293918	Plug-- Spark (1-1/2" high-- 37 mm Resistor Type)
340	26018	Spring-- Breaker Arm
341	93381	Screw-- Breaker Arm Mounting Sem
342	65704	Plunger-- Breaker point
344	93042	Screw-- Condenser Clamp Mounting Sem
345	220366	Cover-- Breaker Point and Condenser
346	93705	Screw-- Dust Cover Mounting
351	93735	Screw-- Terminal
352	66068	Washer-- Insulating
353	92791	Washer-- Lock-- Shakeproof (3)
354	90576	Nut-- Hex. -- 8-32 (2)
355	66554	Collar-- Insulating
356	298479	Wire-- Ground
Note:	391554	Wire-- Ground Used on Type No. 0130.
358	391662	Gasket Set
363	19069	Puller-- Flywheel (Optional Accessory)
372	220477	Clamp-- Condenser
375	294628	Breaker Points and Condenser Set
Note:	299061	Ignition Kit Includes: 294628 Point Set 65704 Plunger 61760 Key-- Flywheel
377	93065	Key-- Woodruff No. 6
382	93545	Screw-- Choke Link Cover
383	89838	Wrench-- Spark Plug
390	261249	Spring-- Diaphragm
392	260455	Spring-- Fuel Pump Diaphragm
394	391643	Diaphragm Carburetor



396	270571	Gasket--Choke Link Cover
397	211678	Cover-- Choke Link
414	220982	Washer
432	221377	Cap-- Spring
508	93158	Screw-- Sem
516	260374	Spring-- Connector
523	391838	Cap With Dipstick-- Oil Filler
524	68838	Seal-- Filler Tube
525	280131	Tube-- Oil Filler
527	222549	Clamp-- Oil Filler
529	67838	Grommet-- Breather
534	93865	Screw-- Air Cleaner
535	270848	Element-- Air Cleaner
536	394738	Cleaner-- Assembly-- Air
552	230732	Bushing-- Governor Shaft
611	297219	Pipe-- Fuel (long)
612	296811	Pipe-- Fuel (short)
613	93935	Screw-- Muffler Mtg.
615	93307	Retainer-- E-Ring
616	394075	Crank-- Governor
617	270344	Seal-- Fuel Intake Tube
620	394642	Plate-- Carburetor Control (Remote Control)
Note:	394882	Plate-- Carburetor Control (Manual Friction) Used on Type Nos. 0015, 0016, 0017, 0051, 0052, 0136, 0137, 0145.
621	297472	Switch-- Stop
625	391377	Tube-- Fuel Intake
634	270167	Washer-- Throttle Shaft (Felt)
635	66538	Elbow-- Spark Plug
643	222991	Cup-- Air Cleaner
643A	280342	Support-- Air Cleaner Element
645	23513	Bushing-- Plunger
655	222057	Anchor-- Spring
674	93559	Screw-- Tank to Bracket
676	222238	Deflector-- Muffler
677	93705	Screw-- Muffler Deflector
681	393451	Needle Valve Kit
720	93474	Pin-- Gear to Shaft
721	221779	Stop-- Drive Shaft
741	261533	Gear-- Timing
764	391486	Starter Assembly-- Vertical Pull
765	299947	Housing-- Vertical Pull Starter
766	280022	Pulley-- Rope (Small)
767	231048	Pin-- Small Rope Pulley
768	299948	Pulley and Gear Assembly-- Starter (50" Rope)
769	66734	Rope-- Vertical Pull Starter (50")
771	299961	Clip-- Vertical Pull
773	390112	Retainer Assy.-- Spur Gear
774	280121	Insert-- Starter Handle
775	280036	Grip-- Starter Rope
776	222049	Guide-- Rope

777	390066	Spring-- Vertical Pull Starter
778	280021	Cover-- Vertical Pull Starter Pulley
842	270920	Seal-- Filler Cap
847	392056	Filler Group-- Oil
851	221798	Terminal-- Ignition Cable
869	210879	Seat-- Intake Valve (Standard)
870	211291	Seat-- Exhaust Valve (Standard)
871	63709	Guide-- Exhaust Valve
901	223004	Bracket-- Bell Crank
902	280271	Grommet-- Screen

\*Included in Gasket Set-Part No. 391662.