

10B900 to 10B999

Illustrated Parts List

Model Series

10B900 to 10B999

TYPE NUMBERS
0050, 0105, 0110,
0111, 0130, 0131,
1650, 2005, 2011.

TO FIND**THE CORRECT NUMBER OF THE PART YOU NEED:
FOLLOW THE INSTRUCTIONS BELOW**

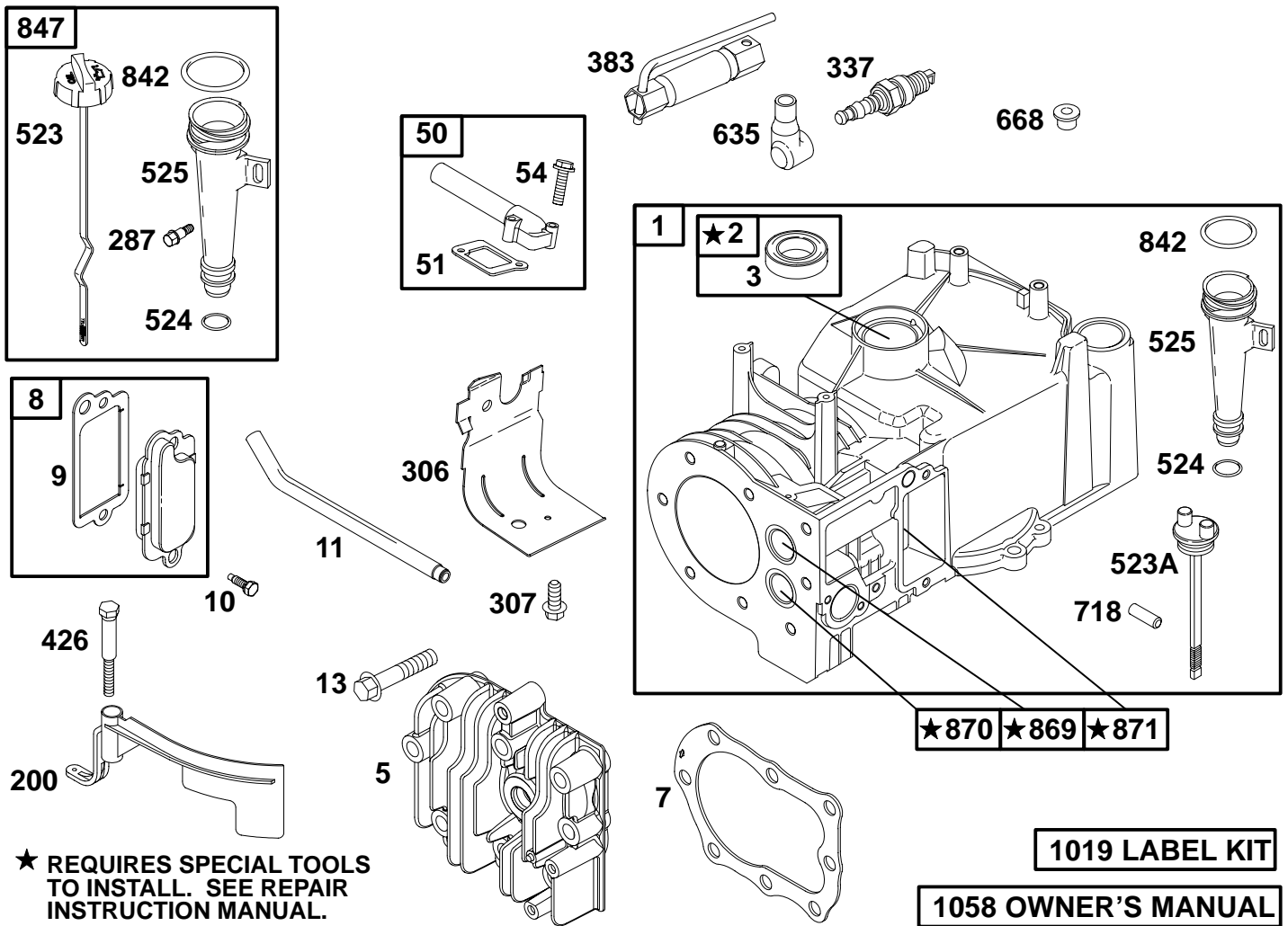
- A. Refer to Engine Model, Type and Code Number that is stamped on the blower housing of engine. Engine type numbers such as 0123 01 are listed only as 0123 in most instances. The two digits (01 or 02, etc.) to the right of the space may be required for more accurate parts identification in some instances. Select the Illustrated Parts List covering the correct Model Series and Type Number.
- B. Refer to the Illustrations and compare the original part with Illustration. The number next to the illustration is the Reference Number. Assemblies include all parts shown in frames. All parts shown in assembly frames having individual reference numbers can be purchased separately.
- C. After the Reference Number has been identified, refer to the Numerical text, where Reference and Primary Part Number are listed. **THE PRIMARY PART IS USED ON ALL TYPE NUMBERS EXCEPT THOSE TYPE NUMBERS UNDER "NOTE."**
- D. If a "Note" appears below the Primary Part Number, it means that this part differs from the Primary Part for certain types. If your Type number is listed under "Note," order the part referred to at the "Note."
- E. If your Engine Type Number does not appear after any part number listed under "Note," use the Primary Part Number.
- F. For Engine Type Numbers not covered by this book, check other Parts Lists having the same engine model or contact your source of supply.

PRINTED IN U.S.A.



COPYRIGHT by BRIGGS & STRATTON CORPORATION
All rights reserved. No part of this material may be reproduced or transmitted, in any form or by any means, electronic or mechanical, including photocopying, recording or by any information storage and retrieval system, without permission in writing from Briggs & Stratton Corporation.

10B900 to 10B999



★ REQUIRES SPECIAL TOOLS TO INSTALL. SEE REPAIR INSTRUCTION MANUAL.

1019 LABEL KIT

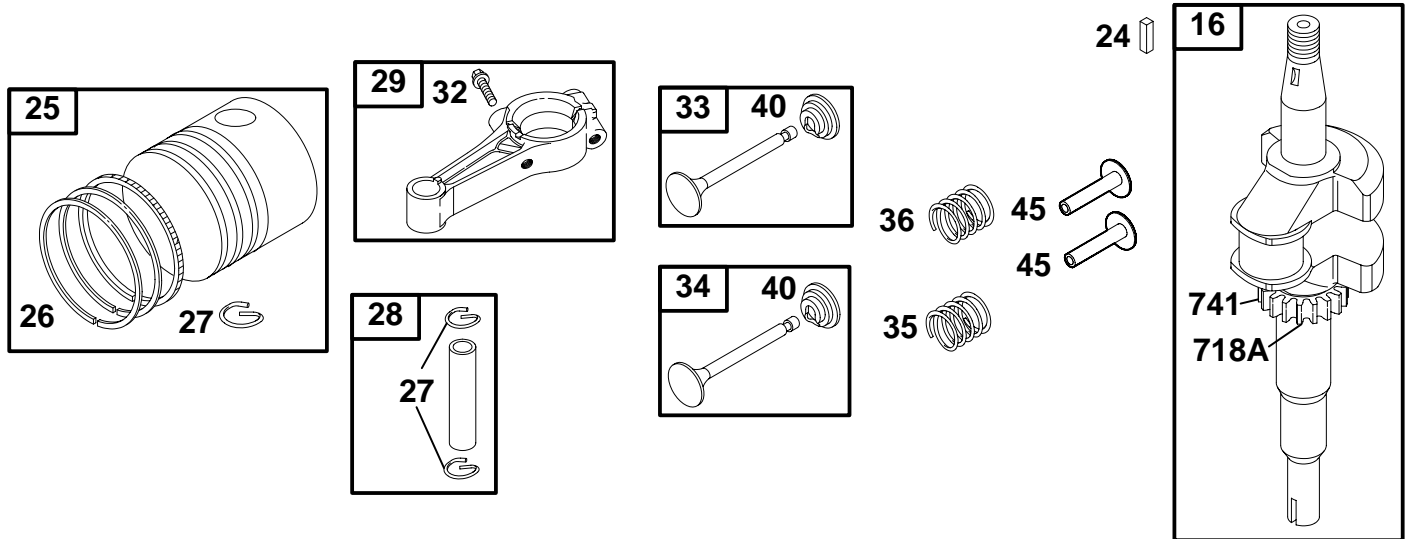
1058 OWNER'S MANUAL

REF. NO.	PART NO.	DESCRIPTION	REF. NO.	PART NO.	DESCRIPTION	REF. NO.	PART NO.	DESCRIPTION
1	399164	Cylinder Assembly	200	281024	Blade-Governor	847	691440	Dipstick/Tube Assembly
2	399269	Kit-Bushing/Seal (Magneto Side)	287	94903	Screw (Dipstick Tube)	869	211172	Seat-Valve (Intake)
3	★299819	Seal-Oil (Magneto Side)	306	690400	Shield-Cylinder	870	211291	Seat-Valve (Exhaust)
5	690386	Cylinder Head	307	690345	Screw (Cylinder Shield)	871	231348	Bushing-Valve Guide (Exhaust)
7	★Ø272694	Gasket-Cylinder Head	337	802592	Sparkplug			Note
8	495785	Breather Assembly	383	89838	Wrench-Sparkplug			63709 Bushing-Valve-Guide (Intake)
9	★Ø272602	Gasket-Breather	426	691107	Screw (Governor Blade)	1019	497624	Kit-Label
10	94621	Screw (Breather Assembly)	523	497968	Dipstick	1058	274262	Manual-Owner's (Emission Engine)
11	691245	Tube-Breather	523A	281081	Dipstick (Plastic)			Note
13	691697	Screw (Cylinder Head)	524	★271485	Seal-Dipstick Tube			272308 Manual-Owner's (Non Emission Engine)
50	298775	Manifold-Intake	525	691320	Tube-Dipstick			
51	★270345	Gasket-Intake	635	66538	Boot-Sparkplug			
54	691111	Screw (Intake Manifold)	668	692889	Spacer			
			718	230192	Pin-Locating			
			842	270920	Seal-Dipstick/Tube			

★ Included in Engine Gasket Set-Ref. No. 358.

Ø Included in Valve Gasket Set-Ref. No. 1095.

10B900 to 10B999

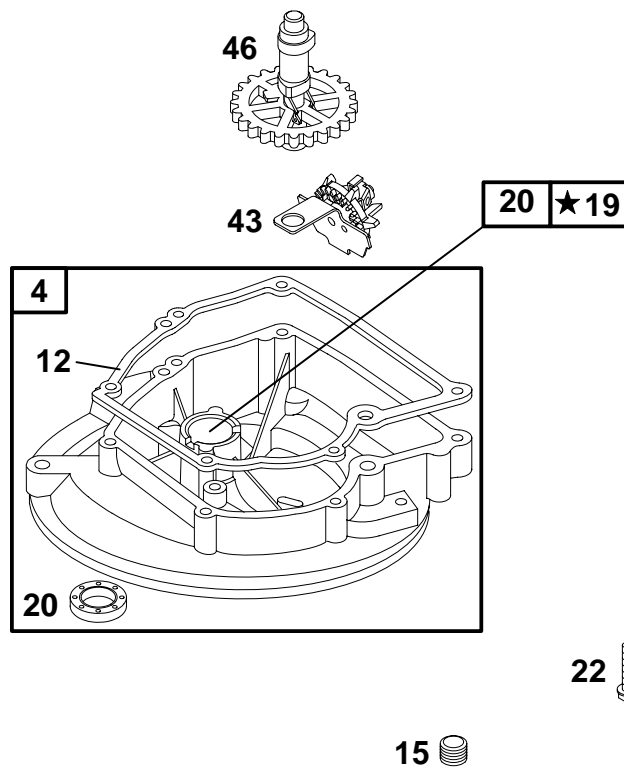


REF. NO.	PART NO.	DESCRIPTION	REF. NO.	PART NO.	DESCRIPTION	REF. NO.	PART NO.	DESCRIPTION	
16	496839	Crankshaft Note 692989 Crankshaft Used on Type No(s). 1650, 2011.		498671	Piston Assembly (.030 O.S.) (Used After Code Date 96020500).			498683	Ring Set (.030 O.S.) (Used After Code Date 96020500).
24	222698	Key-Flywheel		298907	Piston Assembly (.030 O.S.) (Used Before Code Date 96020600).			298985	Ring Set (.030 O.S.) (Used Before Code Date 96020600).
25	498668	Piston Assembly (Standard) (Used After Code Date 96020500).				27	26026	Lock-Piston Pin	
		Note 298904 Piston Assembly (Standard) (Used Before Code Date 96020600).	26	498680	Set-Ring (Standard) (Used After Code Date 96020500).	28	298909	Pin-Piston (Standard)	
		498669 Piston Assembly (.010 O.S.) (Used After Code Date 96020500).						Note 298908 Pin-Piston (.005 O.S.)	
		298905 Piston Assembly (.010 O.S.) (Used Before Code Date 96020600).				29	496792	Rod-Connecting	
		498670 Piston Assembly (.020 O.S.) (Used After Code Date 96020500).				32	94699	Screw (Connecting Rod)	
		298906 Piston Assembly (.020 O.S.) (Used Before Code Date 96020600).				33	296676	Valve-Exhaust	
						34	296677	Valve-Intake	
						35	260552	Spring-Valve (Intake)	
						36	260552	Spring-Valve (Exhaust)	
						40	93312	Retainer-Valve	
						45	230173	Tappet-Valve	
						718A	499047	Pin-Locating (Crankshaft)	
						741	261533	Gear-Timing	
								498681	Ring Set (.010 O.S.) (Used After Code Date 96020500).
								298982	Ring Set (Standard) (Used Before Code Date 96020600).
								498681	Ring Set (.010 O.S.) (Used After Code Date 96020500).
								298983	Ring Set (.010 O.S.) (Used Before Code Date 96020600).
								498682	Ring Set (.020 O.S.) (Used After Code Date 96020500).
								298984	Ring Set (.020 O.S.) (Used Before Code Date 96020600).

★ Included in Engine Gasket Set-Ref. No. 358.

∅ Included in Valve Gasket Set-Ref. No. 1095.

10B900 to 10B999

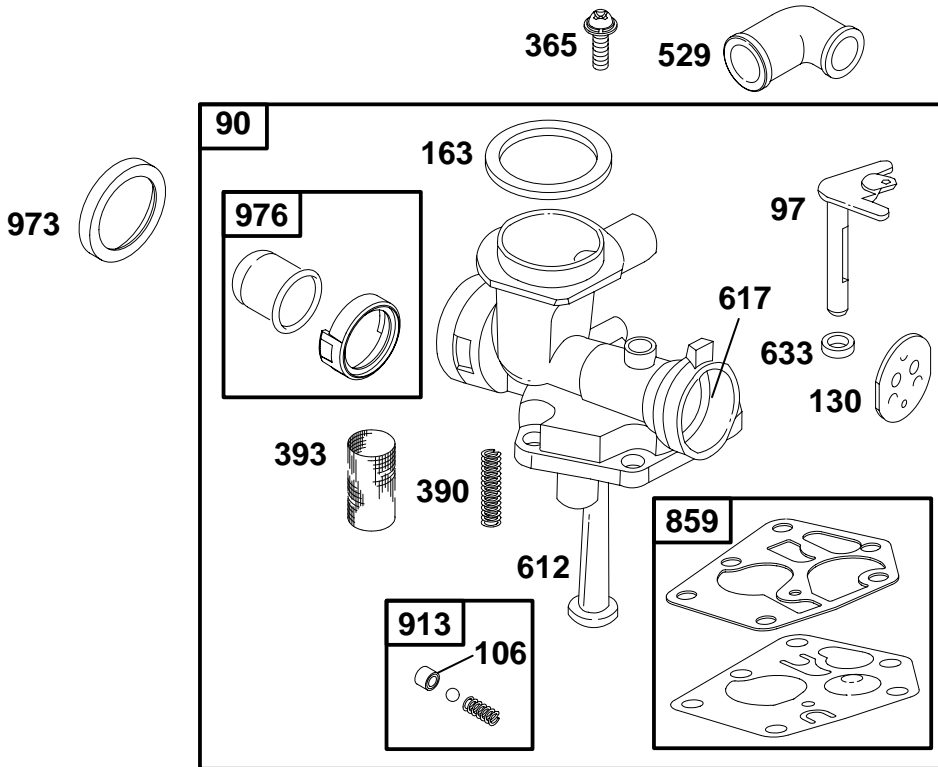


★ **REQUIRES SPECIAL TOOLS TO INSTALL. SEE REPAIR INSTRUCTION MANUAL.**

REF. NO.	PART NO.	DESCRIPTION	REF. NO.	PART NO.	DESCRIPTION	REF. NO.	PART NO.	DESCRIPTION
4	395384	Sump-Engine	15	94880	Plug-Oil Drain (Flush)	22	94682	Screw (Engine Sump)
12	★270833	Gasket-Crankcase (.015 Standard)	19	293709	Kit-Bushing/Seal (PTO Side)	43	491688	Slinger-Governor/Oil
		Note	20	★391483	Seal-Oil (PTO Side)	46	493747	Camshaft
		★270895 Gasket-Crankcase (.005)						
		★270896 Gasket-Crankcase (.009)						

★ Included in Engine Gasket Set-Ref. No. 358.

☉ Included in Valve Gasket Set-Ref. No. 1095.

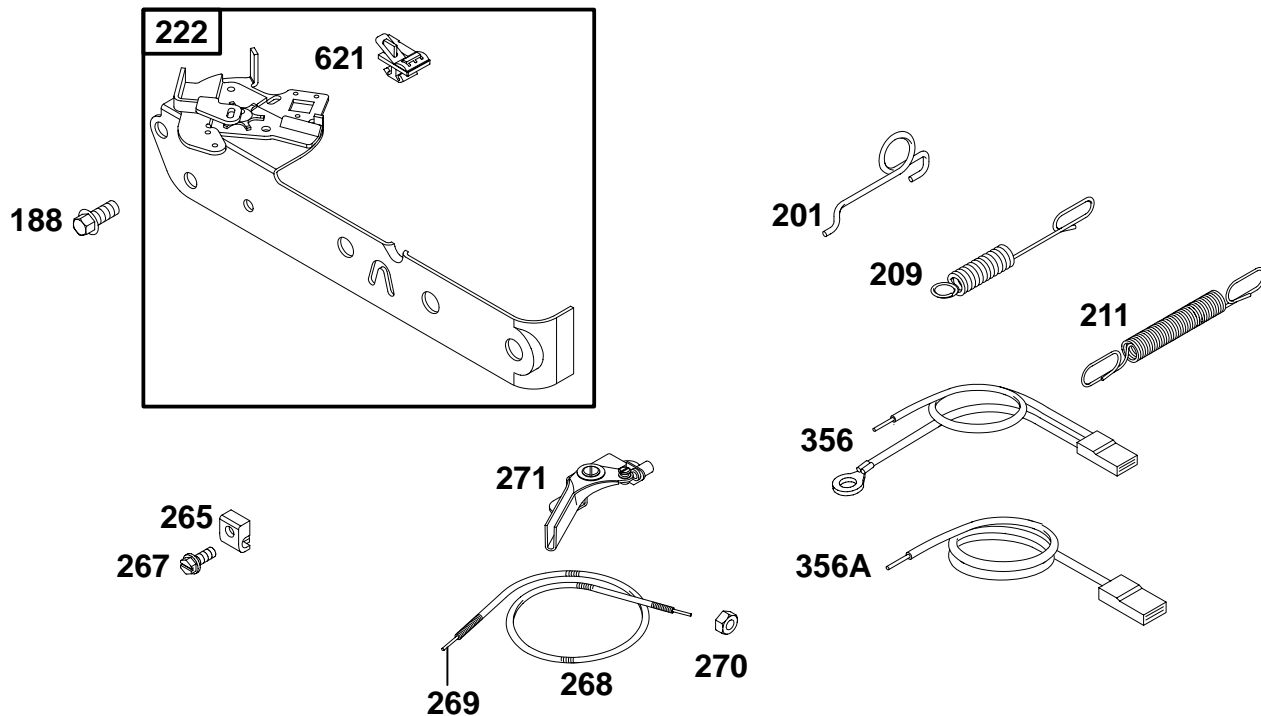


REF. NO.	PART NO.	DESCRIPTION	REF. NO.	PART NO.	DESCRIPTION	REF. NO.	PART NO.	DESCRIPTION
90	498811	Carburetor (Used After Code Date 96051900).	365	94924	Screw (Carburetor)	617	270344	Seal-O-Ring (Intake Manifold)
		Note	390	262764	Spring-Choke Diaphragm	633	691321	Seal-Choke/Throttle Shaft
		497619 Carburetor (Used Before Code Date 96052000).	393	262734	Screen-Carburetor	859	495770	Gasket-Carburetor Pump
97	281437	Shaft-Throttle	529	67838	Grommet (Breather)	913	494409	Seat-Check Valve
106	280328	Seat-Inlet	612	496046	Tube-Pickup	973	691347	Ring-Trim (Primer Bulb)
130	691190	Valve-Throttle				976	494408	Primer-Carburetor
163	★271139	Gasket-Air Cleaner						

★ Included in Engine Gasket Set-Ref. No. 358.

∅ Included in Valve Gasket Set-Ref. No. 1095.

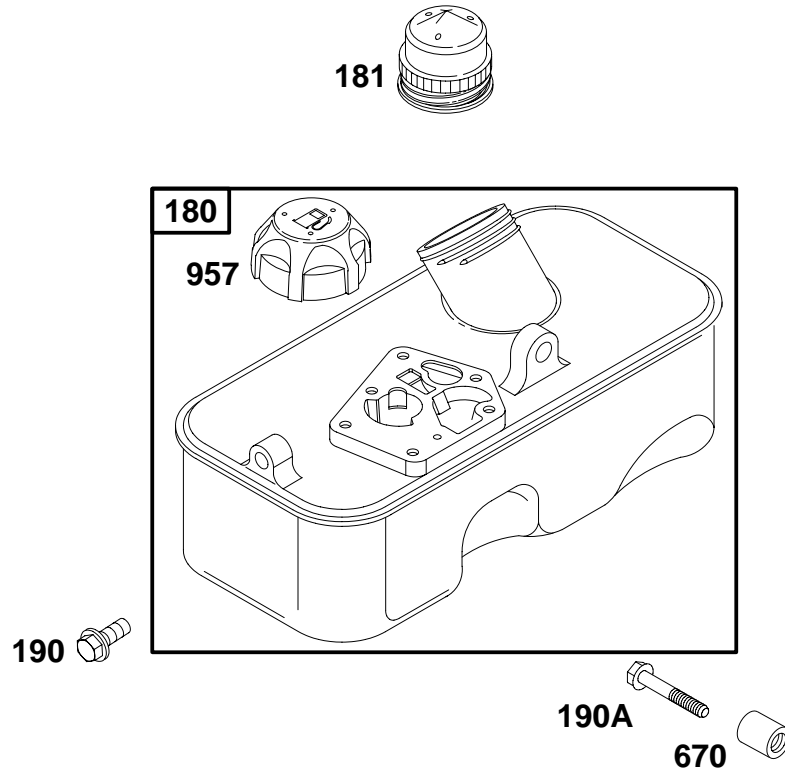
10B900 to 10B999



REF. NO.	PART NO.	DESCRIPTION	REF. NO.	PART NO.	DESCRIPTION	REF. NO.	PART NO.	DESCRIPTION
188	94786	Screw (Control Bracket)	211	263109	Spring-Governed Idle ———— Note ————	269	26099	Wire-Control (Cut to Required Length)
201	262753	Link-Air Vane		692211	Spring-Governed Idle Used on Type No(s). 1650, 2011.	270	63426	Nut (Control Wire Casing)
209	690251	Spring-Governor (Used After Code Date 96051900).	222	691445	Bracket-Control (Non-Compliance)	271	290568	Lever-Control
		———— Note ————	265	213146	Clamp-Casing (Die Cast)	356	398808	Wire-Stop (Single Stop and Ground)
		691297 Spring-Governor (Used After Code Date 96051900).	267	94882	Screw (Casing Clamp)	356A	692390	Wire-Stop (Single Stop)
		Used on Type No(s). 0050.	268	691072	Casing-Control Wire (Cut to Required Length)	621	396847	Switch-Stop
		262942 Spring-Governor (Used Before Code Date 96052000).						
		263121 Spring-Governor Used on Type No(s). 0111.						
		262759 Spring-Governor Used on Type No(s). 2011.						

★ Included in Engine Gasket Set-Ref. No. 358.

☉ Included in Valve Gasket Set-Ref. No. 1095.

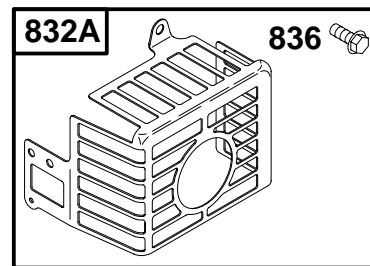
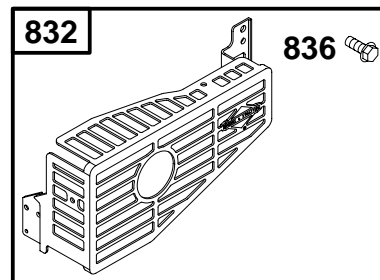
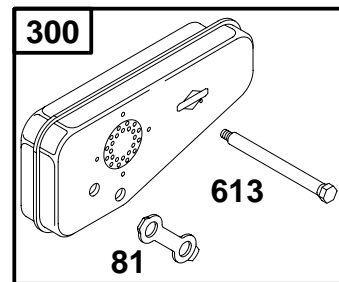
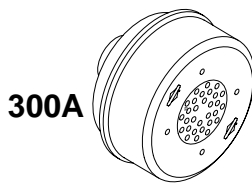
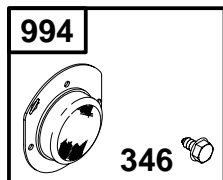
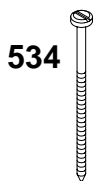
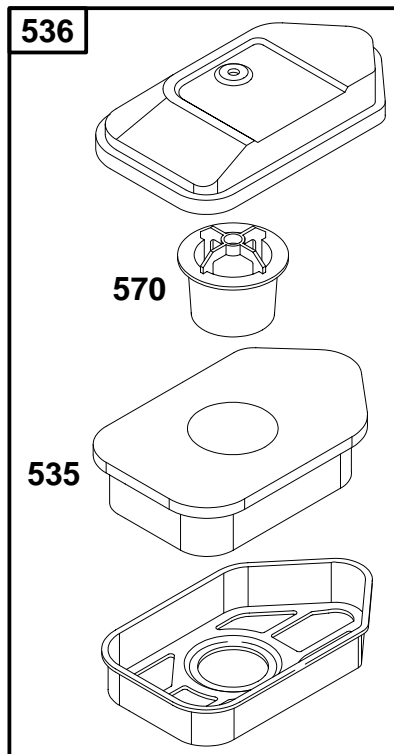


REF. NO.	PART NO.	DESCRIPTION	REF. NO.	PART NO.	DESCRIPTION	REF. NO.	PART NO.	DESCRIPTION
180	494406	Tank-Fuel	670	94047	Spacer-Fuel Tank (Used After Code Date 97071300).	957	497929	Cap-Fuel Tank (Plastic)
181	493982	Cap-Fuel Tank (Metal)			Note			694120 Cap-Fuel Tank (Plastic) Used on Type No(s). 2011.
190	94786	Screw (Fuel Tank Short)						
190A	691697	Screw (Fuel Tank Long)						

★ Included in Engine Gasket Set-Ref. No. 358.

∅ Included in Valve Gasket Set-Ref. No. 1095.

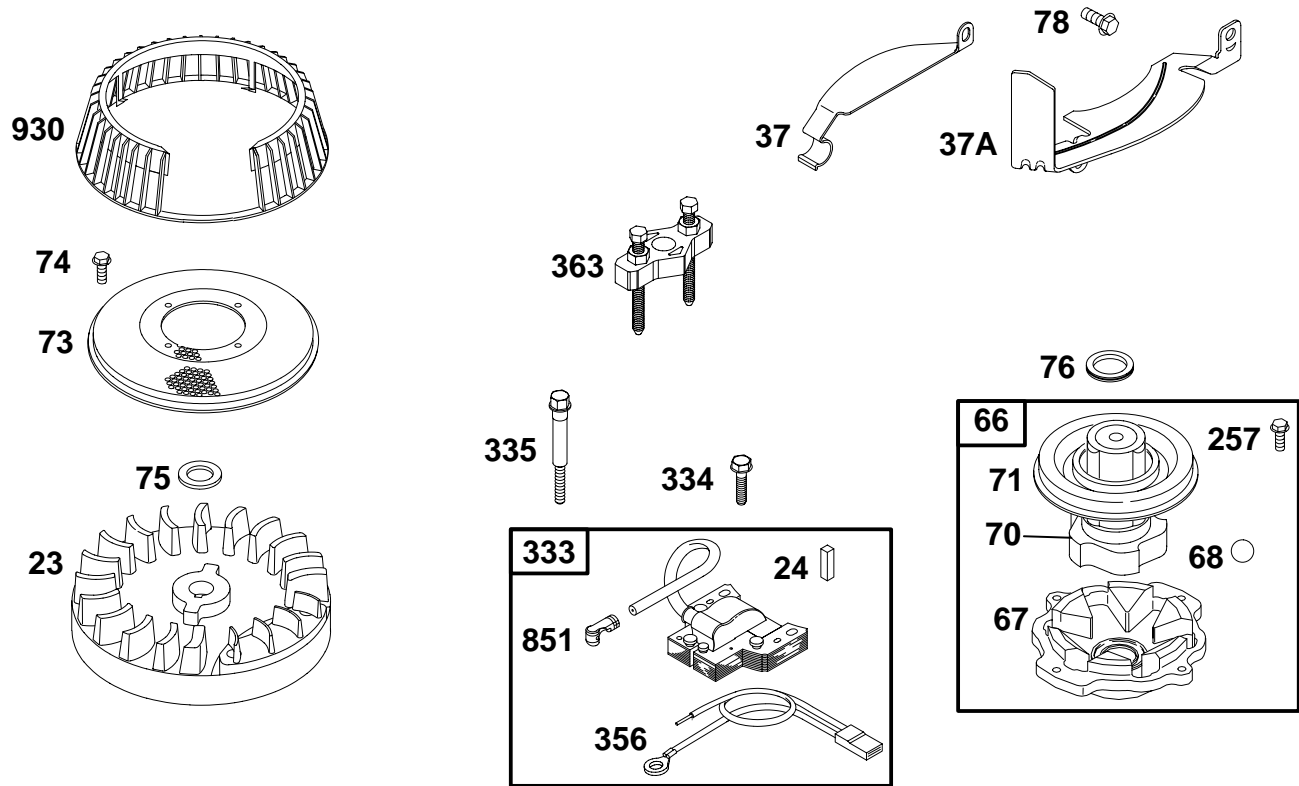
10B900 to 10B999



REF. NO.	PART NO.	DESCRIPTION	REF. NO.	PART NO.	DESCRIPTION	REF. NO.	PART NO.	DESCRIPTION
81	691179	Lock-Muffler Screw	534	93865	Screw (Air Cleaner)	613	93935	Screw (Super Lo Tone Muffler)
163	★271139	Gasket-Air Cleaner	535	272235	Filter-Air Cleaner Foam	832	494896	Guard-Muffler (Super Lo Tone)
300	394644	Muffler (Super Lo Tone)	536	493492	Air Cleaner	832A	691443	Guard-Muffler (Round Lo Tone)
300A	394569	Muffler (Round Lo Tone)	570	280972	Support-Foam Element	836	94874	Screw (Muffler Guard)
346	94896	Screw (Spark Arrestor)				883	Ø★272252	Gasket-Exhaust
						994	398067	Arrestor-Spark

★ Included in Engine Gasket Set-Ref. No. 358.

Ø Included in Valve Gasket Set-Ref. No. 1095.

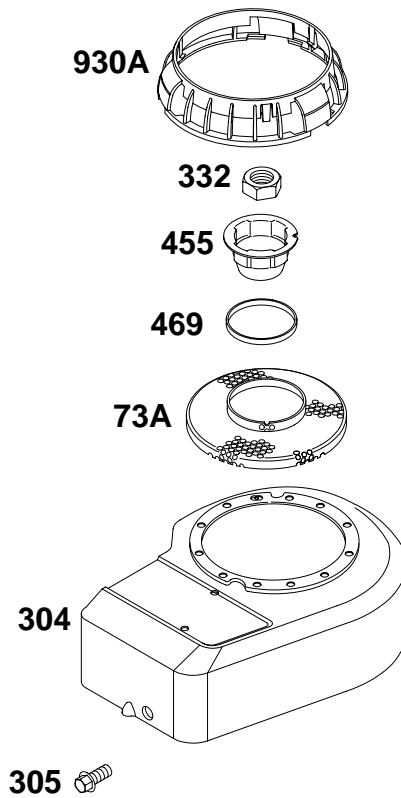
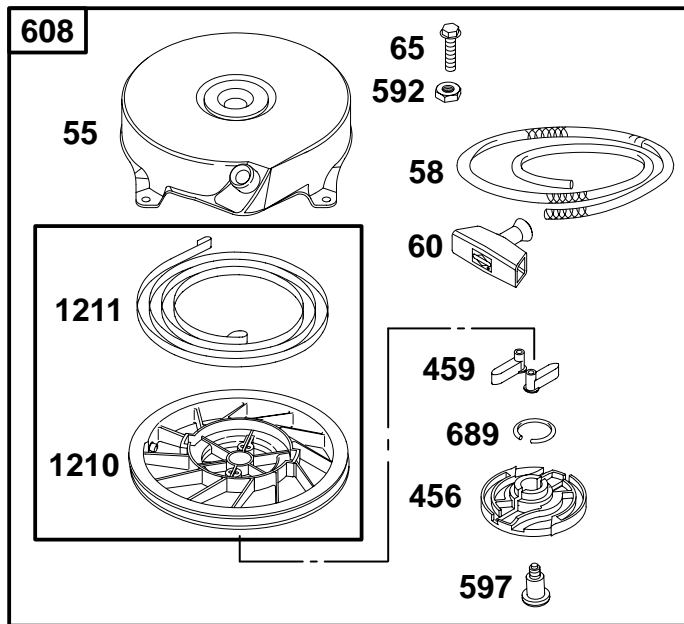


REF. NO.	PART NO.	DESCRIPTION	REF. NO.	PART NO.	DESCRIPTION	REF. NO.	PART NO.	DESCRIPTION
23	690843	Flywheel	71	691359	Cover-Ratchet (Used Before Code Date 97060600).	257	94680	Screw (Starter Clutch) (Used Before Code Date 97060600).
24	222698	Flywheel Key	73	221661	Screen-Rotating (Used Before Code Date 97060600).	333	496914	Armature-Magneto
37	690482	Guard-Flywheel (Carburetor Side)	74	93758	Screw (Rotating Screen)	334	94731	Screw (Magneto Armature)
37A	691209	Guard-Flywheel (Muffler Side)	75	223047	Washer (Flywheel)	335	691107	Screw (Magneto Armature, Air Vane)
66	399671	Clutch-Starter (Used Before Code Date 97060600).	76	68238	Seal-Ratchet (Used Before Code Date 97060600).	356	398808	Wire-Stop (Single Stop and Ground)
67	394897	Housing-Clutch (Used Before Code Date 97060600).	78	94786	Screw (Flywheel Guard)	363	19069	Puller-Flywheel
68	63770	Ball-Clutch (Used Before Code Date 97060600).				851	493880	Terminal-Sparkplug
70	298799	Ratchet-Clutch (Used Before Code Date 97060600).				930	691330	Guard-Rewind

★ Included in Engine Gasket Set-Ref. No. 358.

⊙ Included in Valve Gasket Set-Ref. No. 1095.

10B900 to 10B999

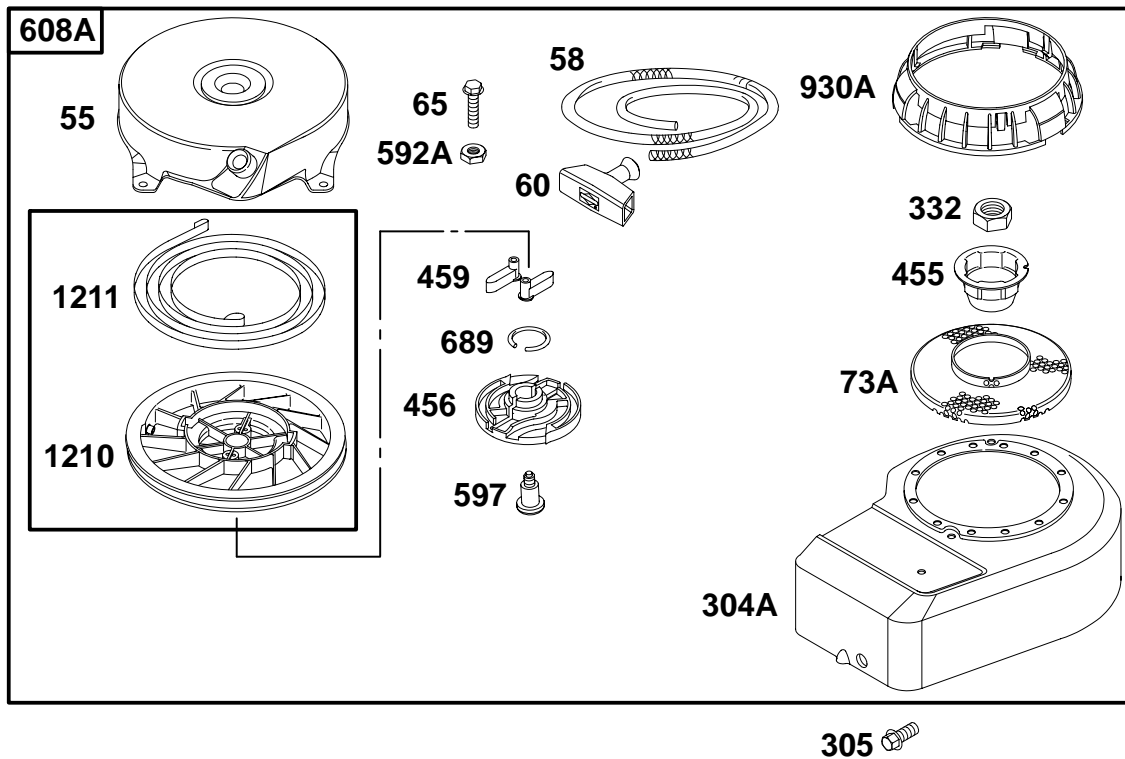


1036 EMISSIONS LABEL

REF. NO.	PART NO.	DESCRIPTION	REF. NO.	PART NO.	DESCRIPTION	REF. NO.	PART NO.	DESCRIPTION
55	692144	Housing—Rewind Starter	332	94877	Nut (Flywheel)	1036	695108	Label—Emission (Used After Code Date 9909300).
58	281464	Rope—Starter (Cut To Required Length)	455	691236	Cup—Flywheel			Note
60	281101	Grip—Starter Rope	456	281503	Plate—Pawl Friction			694428 Label—Emission
65	94904	Screw (Rewind Starter)	459	281505	Pawl—Ratchet			(Used Before Code Date 99100100 and After Code Date 98123100).
73A	691235	Screen—Rotating (Used After Code Date 97060500).	469	694420	Ring—Rotating Trim			499337 Label—Emission
304	691484	Housing—Blower (Used on Compliance Engines)	592	690800	Nut (Rewind Starter)			(Used Before Code Date 99010100 and After Code Date 97052500).
305	94786	Screw (Blower Housing)	597	94943	Screw (Pawl Friction Plate)	1210	499901	Pulley/Spring Assembly (Pulley)
			608	499706	Starter—Rewind (Used After Code Date 97060500).	1211	499901	Pulley/Spring Assembly (Spring)
			689	263073	Spring—Friction (Ratchet Pawl)			
			930A	691348	Guard—Rewind			

★ Included in Engine Gasket Set—Ref. No. 358.

☺ Included in Valve Gasket Set—Ref. No. 1095.

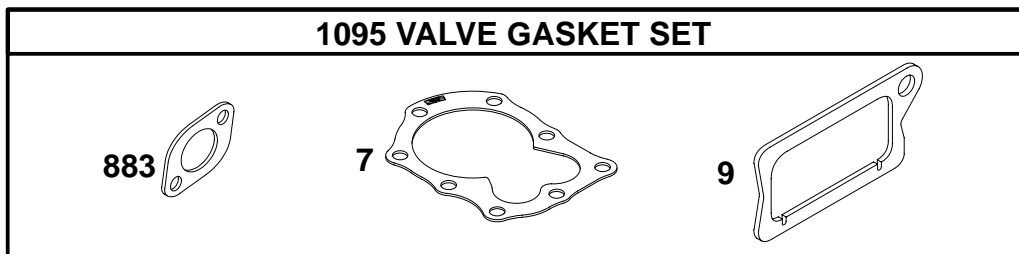
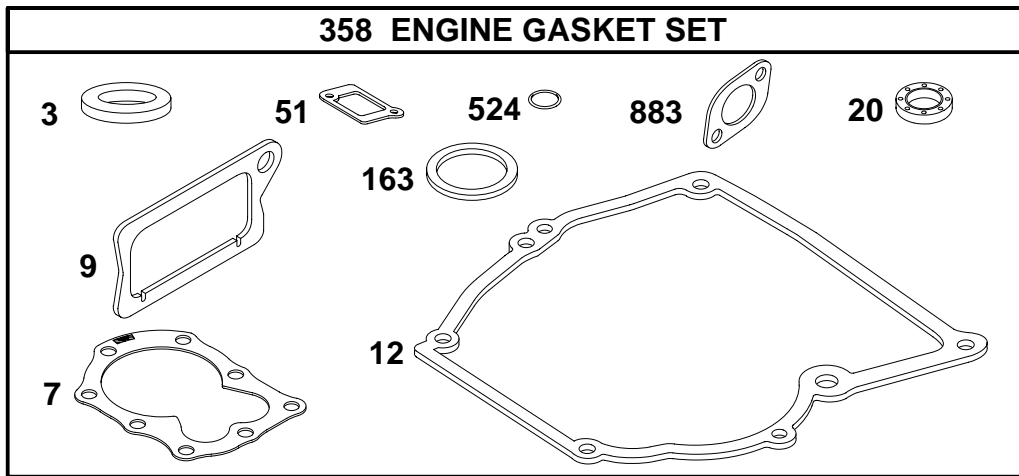


REF. NO.	PART NO.	DESCRIPTION	REF. NO.	PART NO.	DESCRIPTION	REF. NO.	PART NO.	DESCRIPTION
55	692144	Housing-Rewind Starter	304A	692536	Housing-Blower (Used on Non Compliance Engines)	597	94943	Screw (Pawl Friction Plate)
58	281464	Rope-Starter (Cut To Required Length)	305	94786	Screw (Blower Housing)	608A	499925	Starter-Rewind (Used Before Code Date 97060600).
60	281101	Grip-Starter Rope	332	94877	Nut (Flywheel)	689	263073	Spring-Friction
65	94904	Screw (Rewind Starter)	455	691236	Cup-Flywheel	930A	691348	Guard-Rewind
73A	691235	Screen-Rotating (Used After Code Date 97060500).	456	281505	Plate-Pawl Friction	1210	499901	Pulley/Spring Assembly (Pulley)
			459	281505	Pawl-Ratchet	1211	499901	Pulley/Spring Assembly (Spring)
			592A	94908	Nut (Rewind Starter)			

★ Included in Engine Gasket Set-Ref. No. 358.

☉ Included in Valve Gasket Set-Ref. No. 1095.

10B900 to 10B999



REF. NO.	PART NO.	DESCRIPTION	REF. NO.	PART NO.	DESCRIPTION	REF. NO.	PART NO.	DESCRIPTION
3	★299819	Seal-Oil (Magneto Side)	12	★270833	Gasket-Crankcase (.015 Thick, Standard)	20	★391483	Seal-Oil (PTO Side)
7	★Ø272694	Gasket-Cylinder Head			Note	51	★270345	Gasket-Intake
9	★Ø272602	Gasket-Breather			★270895	163	★271139	Gasket-Air Cleaner
					Gasket-Crankcase (.005 Thick)	358	298989	Gasket Set-Engine
					★270896	524	★271485	Seal-Dipstick Tube
					Gasket-Crankcase (.009 Thick)	883	★Ø272252	Gasket-Exhaust
						1095	498526	Gasket Set-Valve

★ Included in Engine Gasket Set-Ref. No. 358.

Ø Included in Valve Gasket Set-Ref. No. 1095.