

**10A900 to 10A999**

# Illustrated Parts List

## Model Series

### 10A900 to 10A999

## TYPE NUMBERS

0015, 0016, 0018,  
0050, 0051,  
0101 through 0109,  
0151 through 0175,  
0178 through 0198,  
0202 through 0208,  
0211 through 0250,  
0423 through 0483,  
0505 through 0615,  
0616 through 0651,  
1019 through 1025,  
1605, 1606, 1615,

## TYPE NUMBERS

1616, 1618, 1650,  
1651, 2001, 2009,  
2040, 2056, 2057,  
2059, 2064, 2067,  
2068, 2070,  
2071 through 2092,  
2101, 2106, 2107,  
2108, 2115,  
2121 through 2189,  
2233 through 2288,  
2289, 2290, 2291,  
2292, 2293.

**TO FIND**

**THE CORRECT NUMBER OF THE PART YOU NEED:  
FOLLOW THE INSTRUCTIONS BELOW**

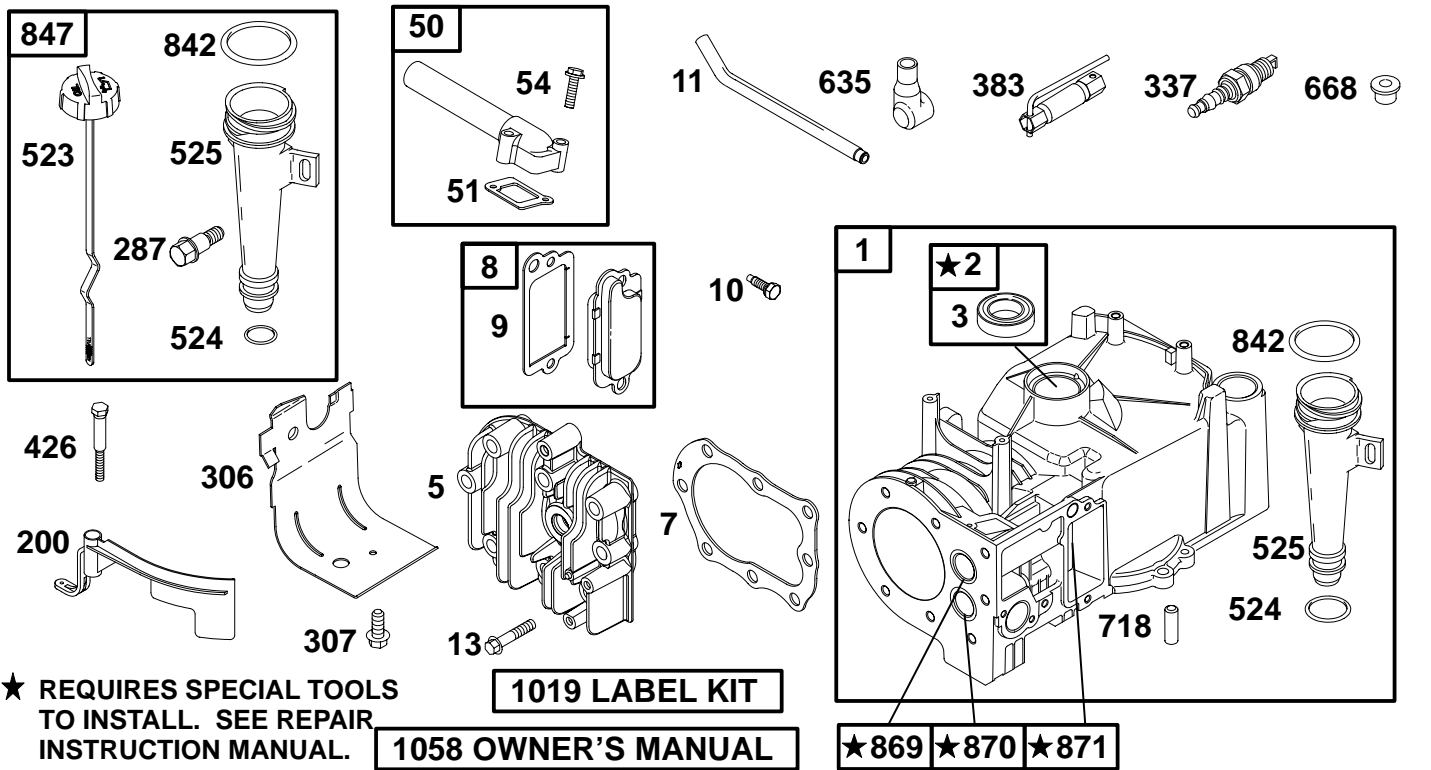
- A. Refer to Engine Model, Type and Code Number that is stamped on the blower housing of engine. Engine type numbers such as 0123 01 are listed only as 0123 in most instances. The two digits (01 or 02, etc.) to the right of the space may be required for more accurate parts identification in some instances. Select the Illustrated Parts List covering the correct Model Series and Type Number.
- B. Refer to the Illustrations and compare the original part with Illustration. The number next to the illustration is the Reference Number. Assemblies include all parts shown in frames. All parts shown in assembly frames having individual reference numbers can be purchased separately.
- C. After the Reference Number has been identified, refer to the Numerical text, where Reference and Primary Part Number are listed. **THE PRIMARY PART IS USED ON ALL TYPE NUMBERS EXCEPT THOSE TYPE NUMBERS UNDER "NOTE."**
- D. If a "Note" appears below the Primary Part Number, it means that this part differs from the Primary Part for certain types. If your Type number is listed under "Note," order the part referred to at the "Note."
- E. If your Engine Type Number does not appear after any part number listed under "Note," use the Primary Part Number.
- F. For Engine Type Numbers not covered by this book, check other Parts Lists having the same engine model or contact your source of supply.

PRINTED IN U.S.A.



COPYRIGHT by BRIGGS & STRATTON CORPORATION  
All rights reserved. No part of this material may be reproduced or transmitted, in any form or by any means, electronic or mechanical, including photocopying, recording or by any information storage and retrieval system, without permission in writing from Briggs & Stratton Corporation.

# 10A900 to 10A999



★ REQUIRES SPECIAL TOOLS TO INSTALL. SEE REPAIR INSTRUCTION MANUAL.

**1019 LABEL KIT**

**1058 OWNER'S MANUAL**

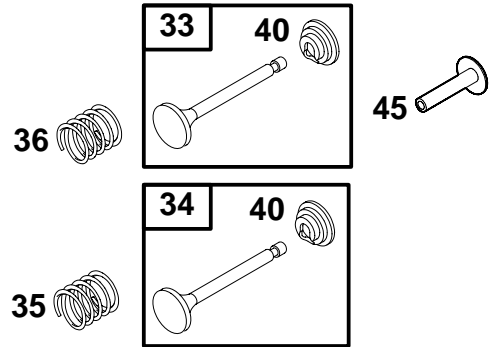
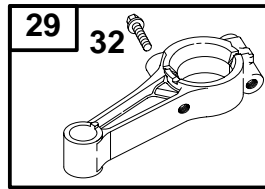
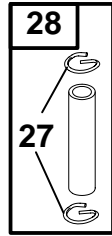
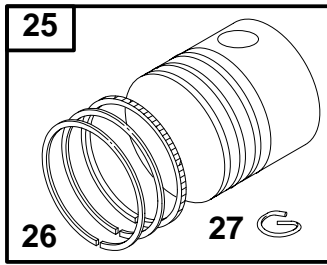
**★869 ★870 ★871**

REF. NO.	PART NO.	DESCRIPTION	REF. NO.	PART NO.	DESCRIPTION	REF. NO.	PART NO.	DESCRIPTION
1	399164	Cylinder Assembly	337	802592	Sparkplug	847	691440	Dipstick/Tube Assembly
2	399269	Kit-Bushing/Seal			<b>Note</b>			<b>Note</b>
3	★299819	Seal-Oil (Magneto Side)			492167			398010
5	690386	Head-Cylinder			Used on Type No(s).			Used on Type No(s).
7	★Ø272694	Gasket-Cylinder Head			0101, 0160, 0163,			0171, 0226 0426,
8	495785	Breather Assembly			0178, 0180, 0183,			2071, 2126, 2189,
9	★Ø272602	Gasket-Breather			0197, 0202, 0206,			2252, 2259, 2285,
10	94621	Screw (Breather Assembly)			0213, 0215, 0226,			2286.
11	691245	Tube-Breather	383	89838	Wrench-Sparkplug	869	211172	Seat-Valve (Intake)
13	691697	Screw (Cylinder Head)	426	691107	Screw (Governor Blade)	870	211291	Seat-Valve (Exhaust)
50	298775	Manifold-Intake	523	497968	Dipstick	871	231348	Bushing-Valve Guide (Exhaust Valve)
51	★270345	Gasket-Intake			<b>Note</b>			<b>Note</b>
54	691111	Screw (Intake Manifold)			398012			63709
200	281024	Blade-Governor			Dipstick			Bushing-Valve Guide (Intake Valve)
287	94903	Screw (Dipstick Tube)			Used on Type No(s).			
306	690400	Shield-Cylinder	524	★271485	Seal-Dipstick Tube	1019	497624	Kit-Label
307	690345	Screw (Cylinder Shield)	525	691320	Tube-Dipstick	1058	274262	Manual-Owner's (Emission Engine)
			635	66538	Boot-Sparkplug			<b>Note</b>
			668	692889	Spacer			272308
			718	230192	Pin-Locating			Manual-Owner's (Non Emission Engine)
			842	★270920	Seal-Dipstick/Tube			

★ Included in Engine Gasket Set-Ref. No. 358.

Ø Included in Valve Gasket Set-Ref No. 1095.

# 10A900 to 10A999

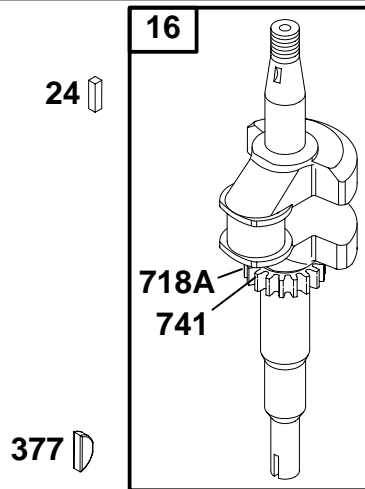


REF. NO.	PART NO.	DESCRIPTION	REF. NO.	PART NO.	DESCRIPTION	REF. NO.	PART NO.	DESCRIPTION																											
25	498668	Piston Assembly (Standard) (Used After Code Date 96020500). <b>Note</b> 298904 Piston Assembly (Standard) (Used Before Code Date 96020600). 498669 Piston Assembly-010 (.010 O.S.) (Used After Code Date 96020500). 298905 Piston Assembly-010 (.010 O.S.) (Used Before Code Date 96020600). 498670 Piston Assembly-020 (.020 O.S.) (Used After Code Date 96020500). 298906 Piston Assembly-020 (.020 O.S.) (Used Before Code Date 96020600). 498671 Piston Assembly-030 (.030 O.S.) (Used After Code Date 96020500). 298907 Piston Assembly-030 (.030 O.S.) (Used Before Code Date 96020600).	26	498680	Ring Set (Standard) (Used After Code Date 96020500). <b>Note</b> 298982 Ring Set (Standard) (Used Before Code Date 96020600). 498681 Ring Set-010 (.010 O.S.) (Used After Code Date 96020500). 298983 Ring Set-010 (.010 O.S.) (Used Before Code Date 96020600). 498682 Ring Set-020 (.020 O.S.) (Used After Code Date 96020500). 298984 Ring Set-020 (.020 O.S.) (Used Before Code Date 96020600). 498683 Ring Set-030 (.030 O.S.) (Used After Code Date 96020500). 298985 Ring Set-030 (.030 O.S.) (Used Before Code Date 96020600).	27	26026	Lock-Piston Pin	28	298909	Pin-Piston (Standard) <b>Note</b> 298908 Pin-Piston-005 (.005 O.S.)	29	496792	Rod-Connecting	32	94699	Screw (Connecting Rod)	33	296676	Valve-Exhaust	34	296677	Valve-Intake	35	260552	Spring-Valve (Intake)	36	260552	Spring-Valve (Exhaust)	40	93312	Retainer-Valve	45	230173	Tappet-Valve

★ Included in Engine Gasket Set-Ref. No. 358.

∅ Included in Valve Gasket Set-Ref No. 1095.

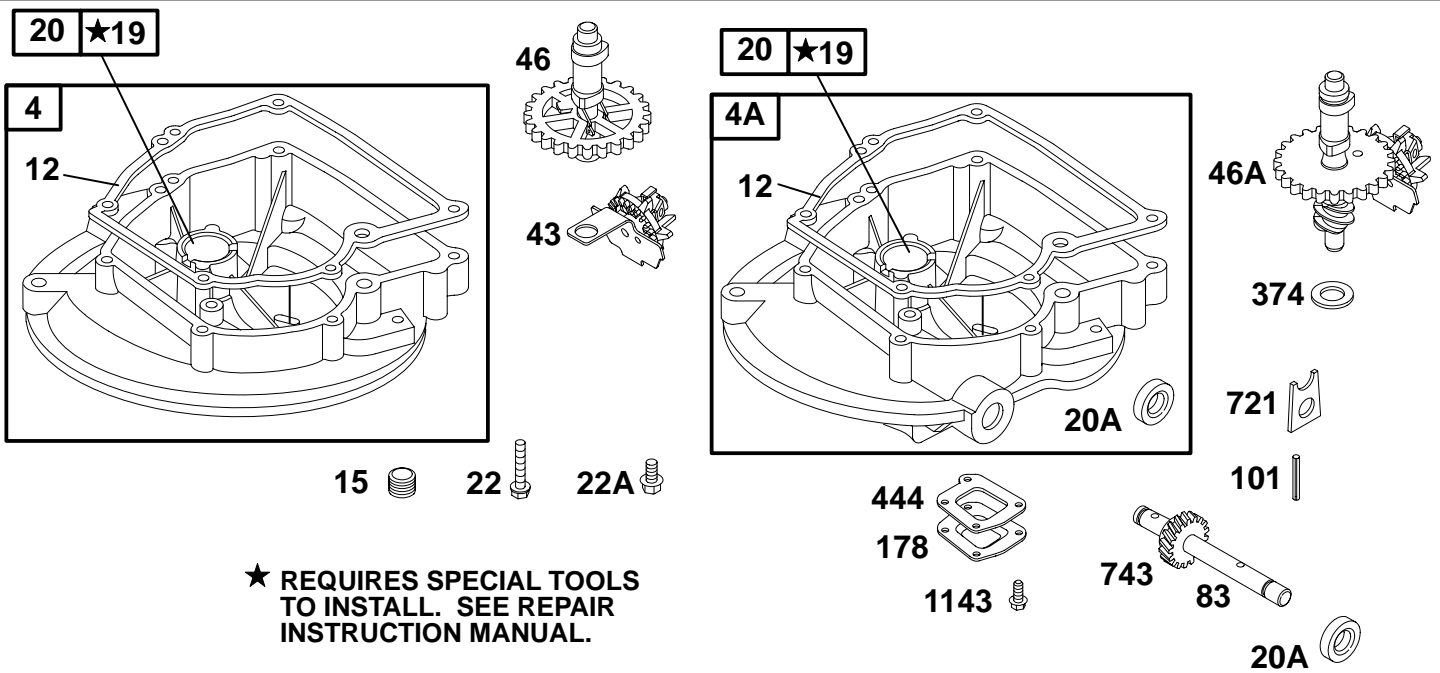
# 10A900 to 10A999



REF. NO.	PART NO.	DESCRIPTION	REF. NO.	PART NO.	DESCRIPTION	REF. NO.	PART NO.	DESCRIPTION
16	496838	Crankshaft <b>Note</b> <b>692989</b> Crankshaft Used on Type No(s). 1605, 1618, 2083, 2140, 2233, 2252, 2253, 2254, 2259, 2261, 2279, 2285, 2286, 2291. <b>691406</b> Crankshaft Used on Type No(s). 0016, 0106, 0107, 0108, 0109, 0157, 0161, 0163, 0169, 0182, 0184, 0193, 0195, 0196, 0215, 0217, 0222, 0223, 0228, 0229, 0239, 0241, 0250, 0423, 0439, 0616. <b>496839</b> Crankshaft Used on Type No(s). 0018, 0156, 0183, 0190, 0233, 0240, 0483, 0505, 0506, 0618. <b>498999</b> Crankshaft Used on Type No(s). 1024.			<b>691471</b> Crankshaft Used on Type No(s). 0236, 0250, 1021, 1022, 1023, 1025, 1616, 2040, 2070, 2106, 2121, 2123, 2128, 2139, 2169, 2251, 2270, 2272, 2275, 2281, 2282, 2287, 2288. <b>691472</b> Crankshaft Used on Type No(s). 0219, 0479, 1019, 1020, 1615, 1650, 1651, 2001, 2059, 2064, 2067, 2068, 2071, 2072, 2073, 2075, 2078, 2079, 2087, 2092, 2101, 2107, 2124, 2126, 2130, 2132, 2135, 2142, 2143, 2145, 2146, 2148, 2151, 2171, 2189, 2250, 2255, 2256, 2257, 2258, 2260, 2262, 2263, 2264, 2265, 2267, 2268, 2269, 2271, 2273, 2277, 2280, 2284, 2289, 2290, 2292, 2293. <b>693472</b> Crankshaft Used on Type No(s). 2266.			<b>24</b> <b>222698</b> Key-Flywheel <b>718A</b> <b>499047</b> Pin-Locating (Crankshaft) <b>377</b> <b>93065</b> Key-Woodruff <b>741</b> <b>261533</b> Gear-Timing

★ Included in Engine Gasket Set-Ref. No. 358.

∅ Included in Valve Gasket Set-Ref No. 1095.



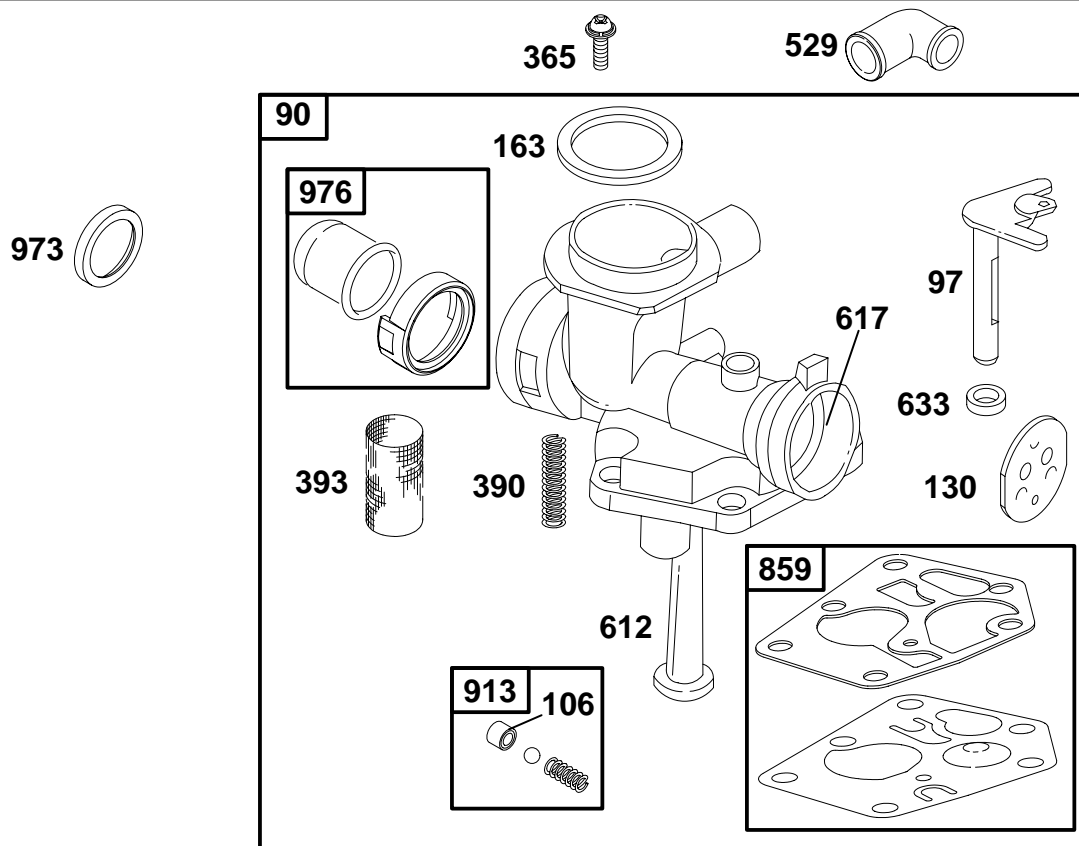
★ REQUIRES SPECIAL TOOLS TO INSTALL. SEE REPAIR INSTRUCTION MANUAL.

REF. NO.	PART NO.	DESCRIPTION	REF. NO.	PART NO.	DESCRIPTION	REF. NO.	PART NO.	DESCRIPTION
4	395384	Sump—Engine —— <b>Note</b> —— 693471 Sump—Engine Used on Type No(s). 2266.	43	491688	Slinger—Governor/Oil	101	93474	Pin—Shaft
4A	395390	Sump—Engine (Right Angle Drive)	46	493747	Camshaft	178	690398	Cover—Drive Gear
12	★270833	Gasket—Crankcase (.015 Thick, Standard) —— <b>Note</b> —— ★270895 Gasket— Crankcase—005 (.005 Thick) ★270896 Gasket— Crankcase—009 (.009 Thick)	46A	690644	Camshaft (Counter Clockwise) —— <b>Note</b> —— 690645 Camshaft (Clockwise) Used on Type No(s). 0051, 0186, 0651, 1651.	374	691074	Washer (Camshaft)
15	94880	Plug—Oil Drain (Flush)	83	691240	Shaft—Auxiliary Drive —— <b>Note</b> —— 690506 Shaft—Auxiliary Drive Used on Type No(s). 0050, 0167, 0219, 0650, 1019, 1650, 2067.	444	★270328	Gasket—Drive Gear Cover
19	293709	Kit—Bushing/Seal (PTO Side)			691249 Shaft—Auxiliary Drive Used on Type No(s). 0159, 0193, 0206, 2254, 2259, 2261, 2285.	721	690397	Stop—Shaft
20	★391483	Seal—Oil (PTO Side)				743	231279	Gear—Drive —— <b>Note</b> —— 690516 Gear—Drive Used on Type No(s). 0051, 0186, 0651, 1651.
20A	391484	Seal—Oil (Auxiliary PTO)				1143	94621	Screw (Drive Gear Cover)
22	94682	Screw (Crankcase Cover/ Sump)						
22A	691108	Screw (Crankcase Cover/ Sump)						

★ Included in Engine Gasket Set—Ref. No. 358.

∅ Included in Valve Gasket Set—Ref No. 1095.

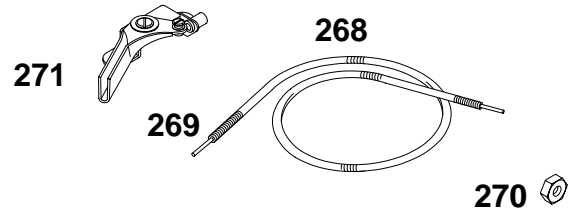
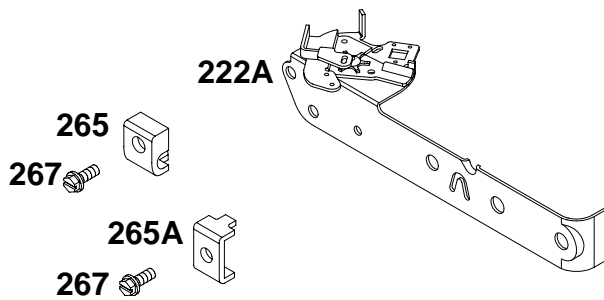
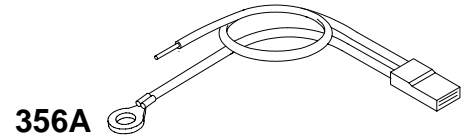
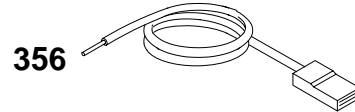
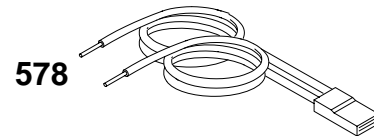
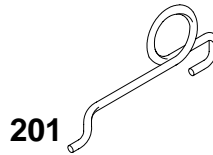
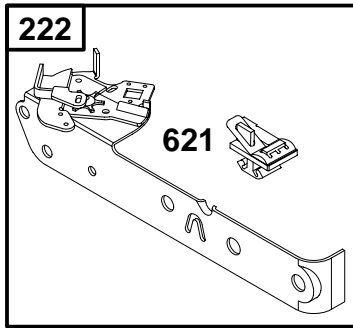
# 10A900 to 10A999



REF. NO.	PART NO.	DESCRIPTION	REF. NO.	PART NO.	DESCRIPTION	REF. NO.	PART NO.	DESCRIPTION
90	498811	Carburetor (Used After Code Date 96051900).	390	262764	Spring-Choke Diaphragm	973	691347	Ring-Trim (Primer Bulb) (Used Before Code Date 99110100).
		<b>Note</b>	393	262734	Screen-Carburetor	976	694394	Primer-Carburetor (Used After Code Date 99103100).
		497619 Carburetor (Used Before Code Date 96052000).	529	67838	Grommet (Breather)			<b>Note</b>
97	281437	Shaft-Throttle	612	496046	Tube-Pick Up			494408 Primer-Carburetor (Used Before Code Date 99110100).
106	280328	Seat-Inlet	617	270344	Seal-O-Ring (Intake Manifold)			
130	691190	Valve-Throttle	633	691321	Seal-Choke/Throttle Shaft			
163	★271139	Gasket-Air Cleaner	859	495770	Diaphragm-Carburetor			
365	94924	Screw (Carburetor)	913	494409	Seat-Check Valve			

★ Included in Engine Gasket Set-Ref. No. 358.

∅ Included in Valve Gasket Set-Ref No. 1095.

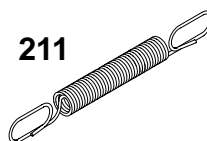
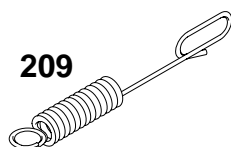


REF. NO.	PART NO.	DESCRIPTION	REF. NO.	PART NO.	DESCRIPTION	REF. NO.	PART NO.	DESCRIPTION
188	94786	Screw (Control Bracket)	267	94882	Screw (Casing Clamp)	271	290568	Lever-Control
201	262753	Link-Air Vane	268	691072	Casing-Control Wire (Cut to Required Length)	356	692390	Wire-Stop (Single Stop)
222	691445	Bracket-Control (Non Compliance)	269	26099	Wire-Control (Cut to Required Length)	356A	398808	Wire-Stop (Single Stop and Ground)
222A	691446	Bracket-Control (Compliance)	270	63426	Nut (Control Wire Casing)	578	398153	Wire Assembly (Dual Stop)
265	213146	Clamp-Casing (Die Cast)				621	396847	Switch-Stop
265A	221535	Clamp-Casing (Steel with Tab)						

★ Included in Engine Gasket Set-Ref. No. 358.

⊘ Included in Valve Gasket Set-Ref No. 1095.

# 10A900 to 10A999



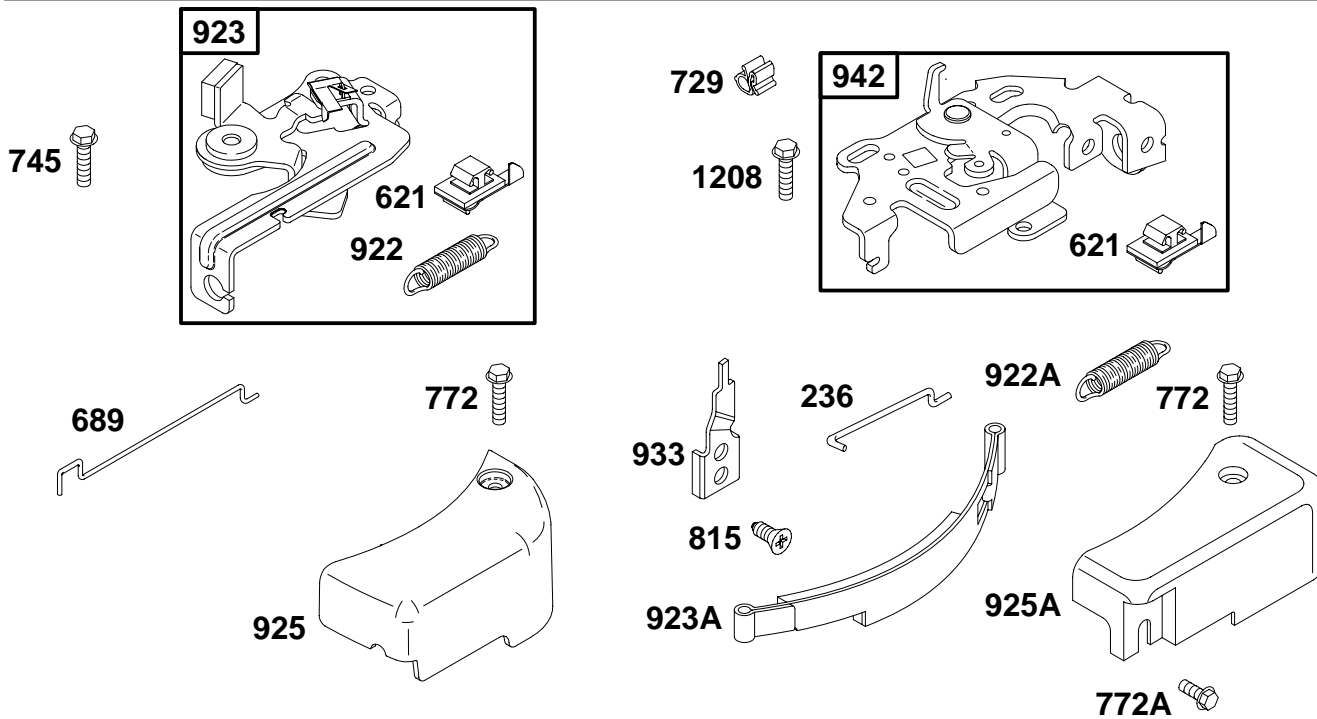
REF. NO.	PART NO.	DESCRIPTION	REF. NO.	PART NO.	DESCRIPTION	REF. NO.	PART NO.	DESCRIPTION	
<b>209</b>	<b>263116</b>	Spring–Governor (Used After Code Date 96051900). <b>Note</b> <b>692211</b> Spring–Governor (Used Before Code Date 96052000). <b>690250</b> Spring–Governor (Used After Code Date 96051900). Used on Type No(s). 0198, 0208, 0233, 0248, 0506. <b>691297</b> Spring–Governor (Used After Code Date 96051900). Used on Type No(s). 0163, 0172, 0232, 0242, 2072, 2132, 2142, 2143, 2148, 2255, 2268, 2282, 2288, 2289, 2292. <b>690251</b> Spring–Governor (Used After Code Date 96051900). Used on Type No(s). 0164, 0166, 0207, 0212, 0235, 0244, 0245, 0246, 0479, 1615, 1616, 1618, 1650, 1651, 2001, 2040, 2059, 2064, 2070, 2078, 2079, 2083, 2079, 2083, 2089, 2092, 2107, 2115, 2121, 2122, 2123, 2124, 2126, 2130, 2135, 2139, 2145, 2146, 2152, 2171, 2189, 2250, 2252, 2253, 2254, 2258, 2259, 2261, 2264, 2267, 2269, 2271, 2273, 2277, 2278, 2280, 2281, 2284, 2285, 2286, 2290, 2291, 2293.			<b>263117</b> Spring–Governor (Used After Code Date 96051900). Used on Type No(s). 0161, 2263, 2270. <b>263121</b> Spring–Governor (Used After Code Date 96051900). Used on Type No(s). 0156, 0157, 0240, 0505, 2233, 2257. <b>263122</b> Spring–Governor (Used After Code Date 96051900). Used on Type No(s). 0190. <b>262760</b> Spring–Governor (Used Before Code Date 96052000). Used on Type No(s). 0101, 0159, 0160, 0162, 0171, 0173, 0178, 0179, 0180, 0186, 0188, 0189, 0192, 0204, 0206.				<b>262761</b> Spring–Governor (Used Before Code Date 96052000). Used on Type No(s). 0164, 0166, 0207, 0212. <b>262762</b> Spring–Governor (Used Before Code Date 96052000). Used on Type No(s). 0163, 0172. <b>262942</b> Spring–Governor (Used Before Code Date 96052000). Used on Type No(s). 0156, 0157, 0187, 0190, 0198, 0208, 0505. <b>692698</b> Spring–Governor Used on Type No(s). 1023, 1024, 1605, 2090, 2140, 2265, 2266.
						<b>211</b>	<b>263109</b>	Spring–Governed Idle	

★ Included in Engine Gasket Set–Ref. No. 358.

⊘ Included in Valve Gasket Set–Ref No. 1095.



# 10A900 to 10A999

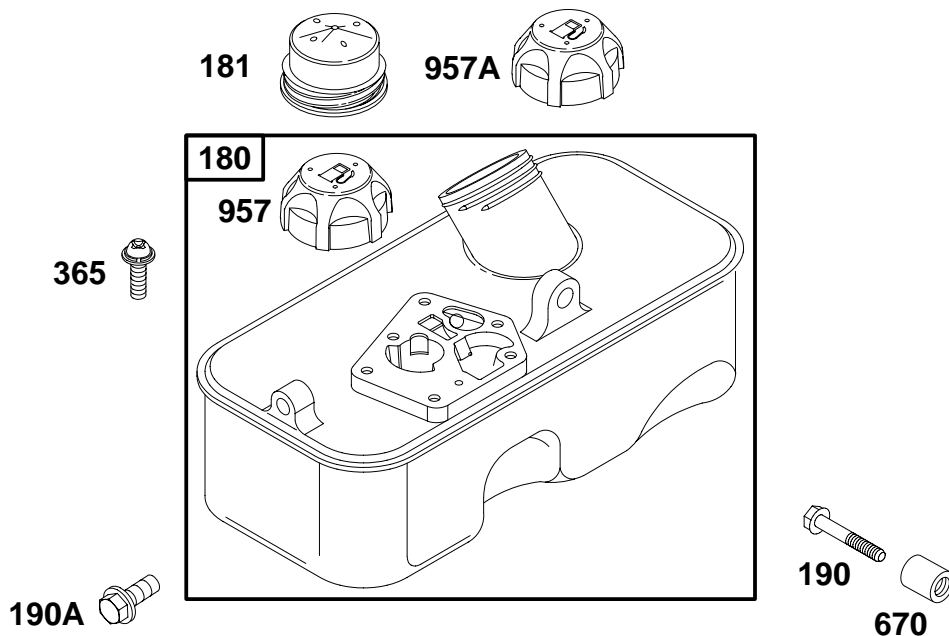


REF. NO.	PART NO.	DESCRIPTION	REF. NO.	PART NO.	DESCRIPTION	REF. NO.	PART NO.	DESCRIPTION
236	262461	Link-Lockout (Used Before Code Date 97071400).	772A	690345	Screw (Linkage Cover)	925	691349	Cover-Linkage (Used After Code Date 97071300).
621	396847	Switch-Stop	815	690324	Screw (Band Brake Pivot)			Used on Type No(s). 2071, 2073.
689	691272	Spring-Friction (Band Brake) (Used After Code Date 97071300).	922	692135	Spring-Brake (Used After Code Date 97071300).	925A	691329	Cover-Linkage (Used Before Code Date 97071400).
729	690586	Clip-Wire	922A	261647	Spring-Brake (Used Before Code Date 97071400).	933	690428	Pivot-Band Brake
745	691146	Screw (Brake) (Used After Code Date 97071300).	923	691487	Brake (Used After Code Date 97071300).	942	493248	Bracket-Brake (Used Before Code Date 97071400).
772	691111	Screw (Linkage Cover) (Used After Code Date 97071300).	923A	394867	Brake (Used Before Code Date 97071400).	1208	690859	Screw (Brake Bracket) (Used Before Code Date 97071400).
<p align="center"><b>Note</b></p> <p>93621 Screw (Linkage Cover) (Used Before Code Date 97071400).</p>								

★ Included in Engine Gasket Set-Ref. No. 358.

∅ Included in Valve Gasket Set-Ref No. 1095.

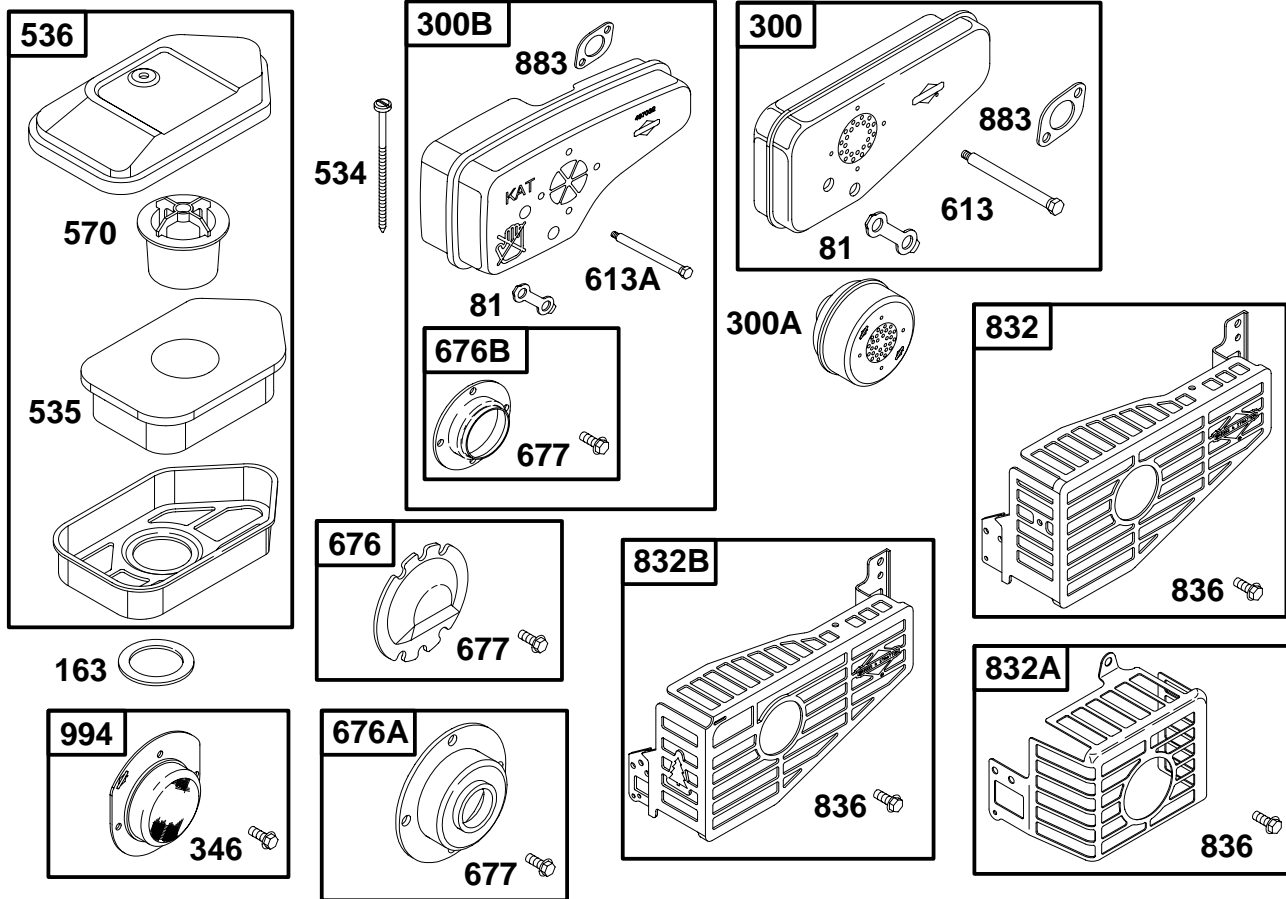
# 10A900 to 10A999



REF. NO.	PART NO.	DESCRIPTION	REF. NO.	PART NO.	DESCRIPTION	REF. NO.	PART NO.	DESCRIPTION
180	494406	Tank-Fuel	670	94047	Spacer-Fuel Tank (Used On Compliance Engines) (Used After Code Date 97071300).	957A	499125	Cap-Fuel Tank (Plastic) Used on Type No(s). 0171, 0226, 0426, 2071, 2126, 2189, 2252, 2259, 2285, 2286.
181	493982	Cap-Fuel Tank (Metal)			<b>Note</b>			<b>694120</b> Cap-Fuel Tank (Plastic) Used on Type No(s). 1615, 2090, 2140, 2266.
190	691697	Screw (Fuel Tank)(Long)	957	497929	Cap-Fuel Tank (Plastic)			
190A	94786	Screw (Fuel Tank)(Short)						
365	94924	Screw (Carburetor)						

★ Included in Engine Gasket Set-Ref. No. 358.

∅ Included in Valve Gasket Set-Ref No. 1095.

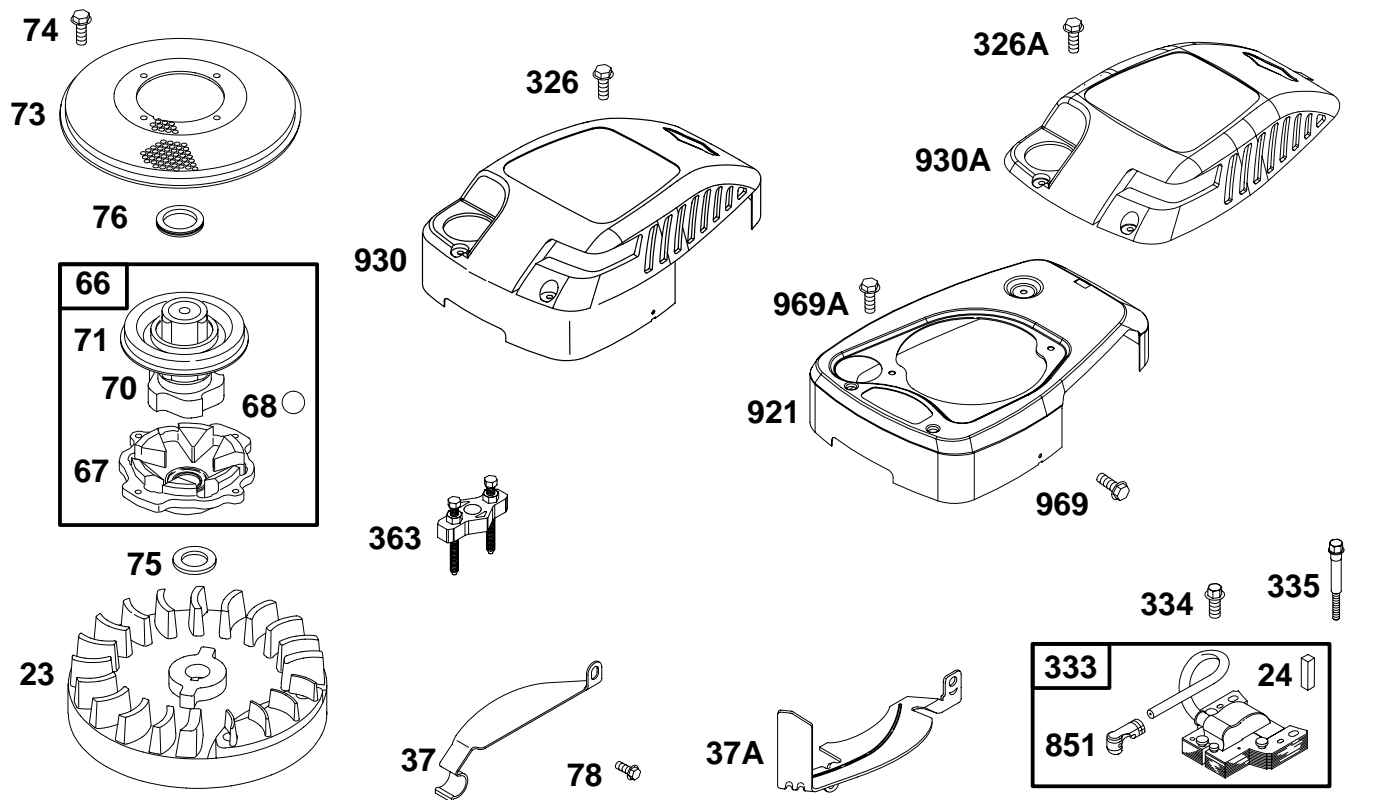


REF. NO.	PART NO.	DESCRIPTION	REF. NO.	PART NO.	DESCRIPTION	REF. NO.	PART NO.	DESCRIPTION
81	691179	Lock-Muffler Screw	536	493492	Cleaner-Air (Used After Code Date 99010300).	613	93935	Screw (Super Lo Tone Muffler)
163	★271139	Gasket-Air Cleaner			<b>Note</b> _____	613A	691114	Screw (Catalyst Muffler)
300	394644	Muffler (Super Lo Tone)			497628 Cleaner-Air (Used Before Code Date 99010400).	676	393756	Deflector-Muffler (Side Out)
300A	394569	Muffler (Round Lo Tone)			493492 Cleaner-Air Used on Type No(s). 2189.	676A	397931	Deflector-Muffler (Direct Out)
300B	499493	Muffler (Catalyst)			(Used After Code Date 98112200).	676B	497682	Deflector-Muffler Catalyst)
346	94896	Screw (Spark Arrester)			497628 Cleaner-Air Used on Type No(s). 2189.	677	94896	Screw (Muffler Deflector)
534	93865	Screw (Air Cleaner)			(Used Before Code Date 98112300).	832	494896	Guard-Muffler (Super Lo Tone)
535	272235	Filter-Air Cleaner Foam	570	280972	Support-Foam Element	832A	691443	Guard-Muffler (Round Lo Tone)
						832B	499494	Guard-Muffler (Catalyst)
						836	94874	Screw (Muffler Guard)
						883	★Ø272252	Gasket-Exhaust
						994	398067	Arrestor-Spark

★ Included in Engine Gasket Set-Ref. No. 358.

Ø Included in Valve Gasket Set-Ref No. 1095.

# 10A900 to 10A999

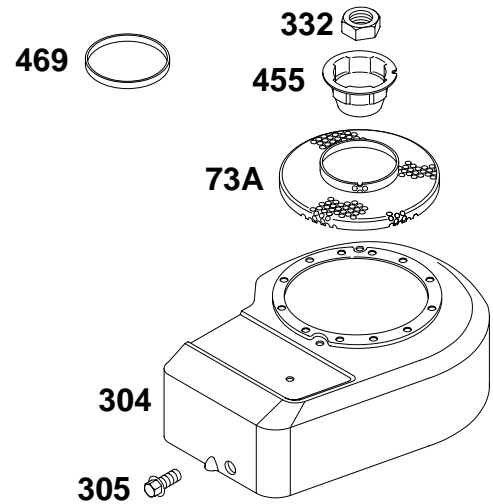
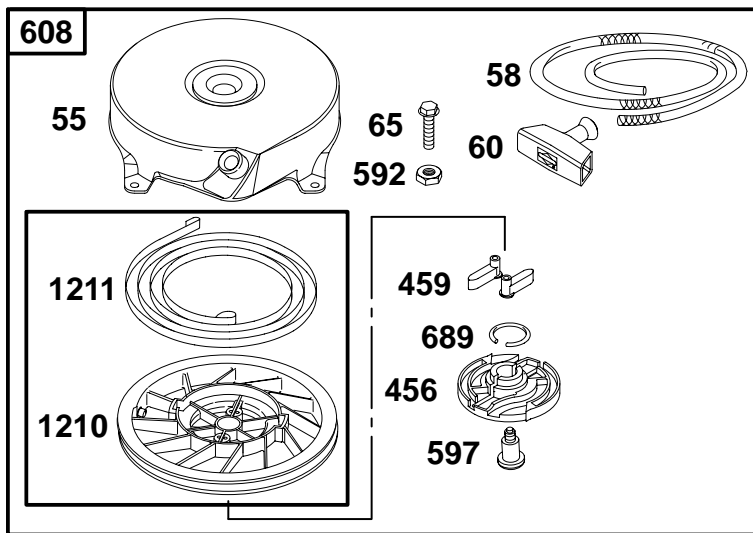


REF. NO.	PART NO.	DESCRIPTION	REF. NO.	PART NO.	DESCRIPTION	REF. NO.	PART NO.	DESCRIPTION
23	495046	Flywheel <b>Note</b> 690843 Flywheel Used on Type No(s). 0156, 0157, 0161, 0190, 0198, 0208, 0215, 0233, 0240, 0505, 0506, 1023, 1024, 1605, 1606, 2056, 2057, 2090, 2108, 2115, 2133, 2140, 2233, 2257, 2263, 2265, 2266, 2270.	71	691359	Cover-Ratchet	363	19069	Flywheel Puller
			73	221661	Screen-Rotating (Used Before Code Date 97071400).	851	493880	Terminal-Sparkplug
			74	93758	Screw (Rotating Screen)	921	499896	Cover-Blower Housing (Used Before Code Date 99010400 and After Code Date 97071300). <b>Note</b> 499247 Cover-Blower Housing (Used Before Code Date 97071400).
			75	223047	Washer (Flywheel)	930	694045	Guard-Rewind (Used After Code Date 99010300).
			76	68238	Seal-Ratchet	930A	281476	Guard-Rewind (Used Before Code Date 99010400).
			78	94786	Screw (Flywheel Guard)	969	692198	Screw (Blower Housing Cover)
			326	694046	Screw (Rewind Guard) (Used After Code Date 99010300).	969A	691141	Screw (Blower Housing Cover)
			326A	691141	Screw (Rewind Guard) (Used Before Code Date 99010400).			
			333	496914	Armature-Magneto			
			334	94731	Screw (Magneto Armature)			
			335	691107	Screw (Magneto Armature) (Air Vane)			
24	222698	Key-Flywheel						
37	690482	Guard-Flywheel (Carburetor Side)						
37A	691209	Guard-Flywheel (Muffler Side)						
66	399671	Clutch-Starter (Used Before Code Date 97060600).						
67	394897	Housing-Clutch						
68	63770	Ball-Clutch						
70	298799	Ratchet-Clutch						

★ Included in Engine Gasket Set-Ref. No. 358.

∅ Included in Valve Gasket Set-Ref No. 1095.

# 10A900 to 10A999



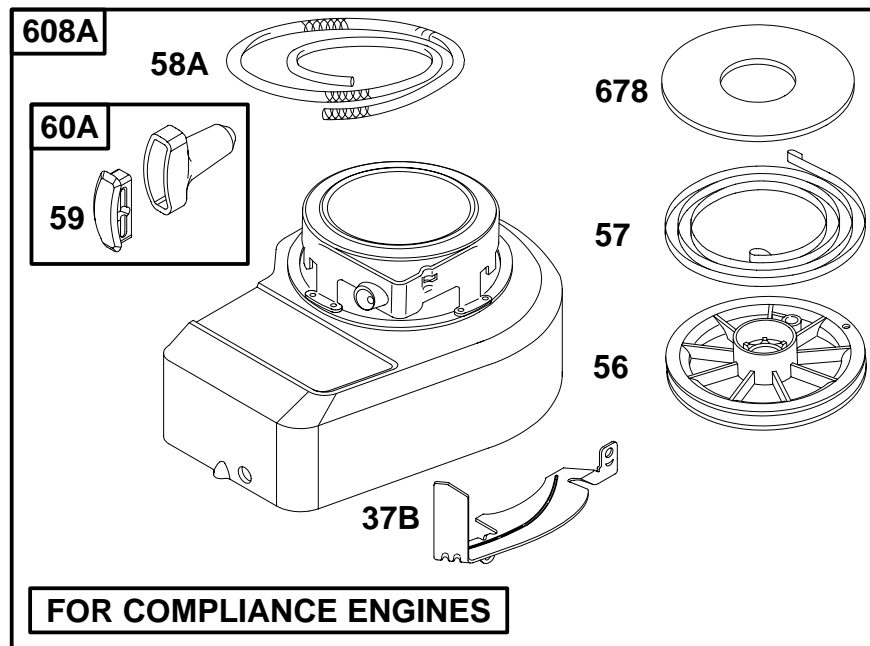
**1036 EMISSIONS LABEL**

REF. NO.	PART NO.	DESCRIPTION	REF. NO.	PART NO.	DESCRIPTION	REF. NO.	PART NO.	DESCRIPTION
55	692144	Housing-Rewind Starter	305	94786	Screw (Blower Housing)	1210	499901	Pulley/Spring Assembly (Pulley)
58	281464	Rope-Starter	332	94877	Nut (Flywheel)	1211	499901	Pulley/Spring Assembly (Spring)
60	281101	Grip-Starter Rope	455	691236	Cup-Flywheel			
65	94904	Screw (Rewind Starter)	456	281503	Plate-Pawl Friction			
73A	691235	Screen-Rotating (Used After Code Date 97071300).	459	281505	Pawl-Ratchet			
304	694236	Housing-Blower (Used on Compliance Engines) (Used After Code Date 99010300).	469	694420	Ring-Rotating Trim			
	691484	Housing-Blower (Used on Compliance Engines) (Used Before Code Date 99010400).	592	94908	Nut (Rewind Starter)			
	<b>Note</b>		597	94943	Screw (Pawl Friction Plate)			
	694051	Housing-Blower (Used on Non Compliance Engines) (Used After Code Date 99010300).	608	499706	Starter-Rewind (Used After Code Date 97071300).			
	692536	Housing-Blower (Used on Non Compliance Engines) (Used Before Code Date 99010400).	689	263073	Spring-Friction (Ratchet Pawl)			
			1036	694428	Label-Emissions (Used After Code Date 98123100).			
				<b>Note</b>				
				499337	Label-Emissions (Used Before Code Date 99010100 and After Code Date 97052500).			
				499336	Label-Emissions (Used Before Code Date 97052600).			

★ Included in Engine Gasket Set-Ref. No. 358.

∅ Included in Valve Gasket Set-Ref No. 1095.

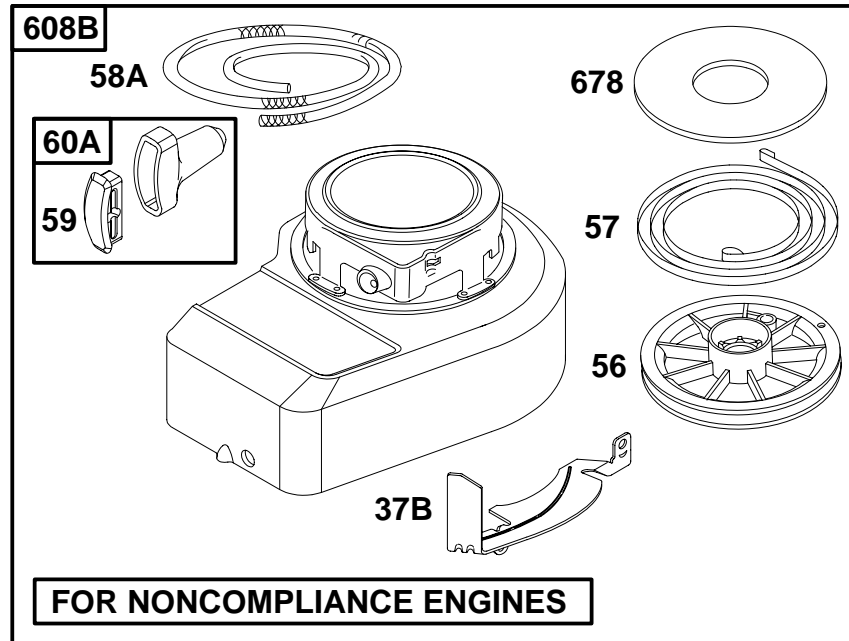
# 10A900 to 10A999



REF. NO.	PART NO.	DESCRIPTION	REF. NO.	PART NO.	DESCRIPTION	REF. NO.	PART NO.	DESCRIPTION
37B	691209	Guard-Flywheel	58A	280399	Rope-Starter (Cut to Required Length)	608A	497813	Starter-Rewind (5 O'Clock Compliance Engines)
56	281336	Pulley-Starter	59	396892	Insert-Grip			<b>Note</b>
57	490179	Spring-Rewind Starter	60A	393152	Grip-Starter Rope			497788 Starter-Rewind (5 O'Clock Compliance Engines) Used on Type No(s). 0233.
								499915 Starter-Rewind (6 O'Clock Compliance Engines)
						678	281353	Spacer-Rewind

★ Included in Engine Gasket Set-Ref. No. 358.

∅ Included in Valve Gasket Set-Ref No. 1095.

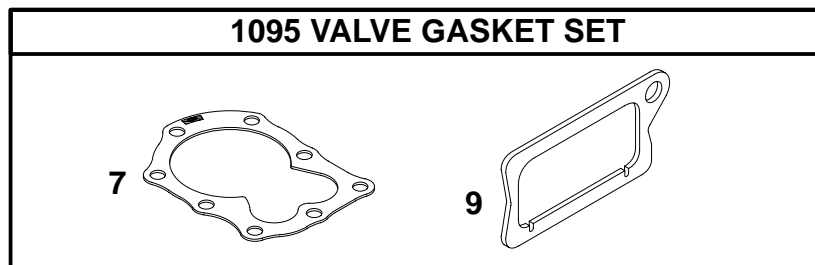
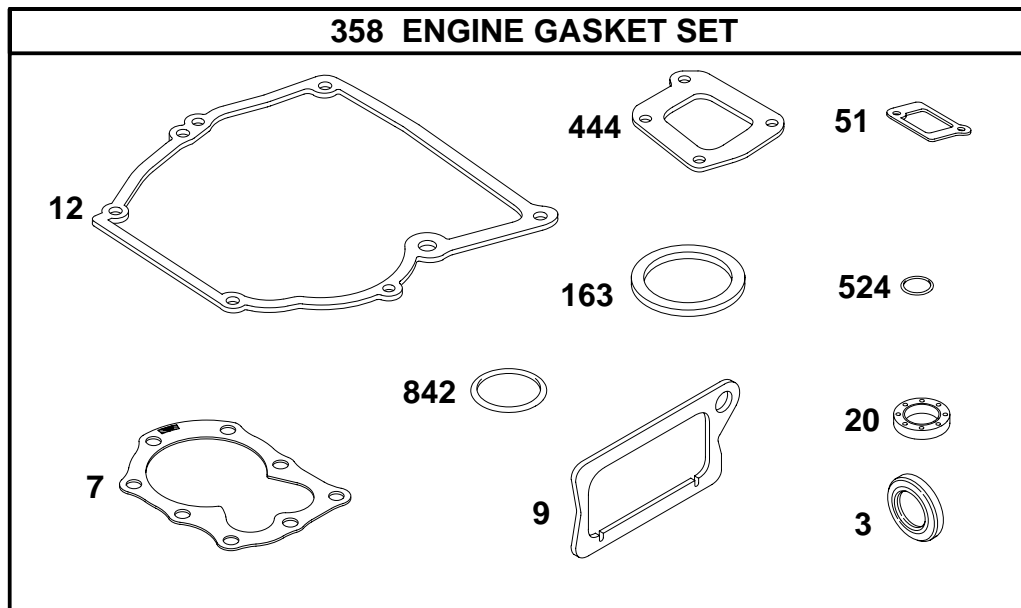


REF. NO.	PART NO.	DESCRIPTION	REF. NO.	PART NO.	DESCRIPTION	REF. NO.	PART NO.	DESCRIPTION
37B	691209	Guard-Flywheel	608B	499919	Starter-Rewind (5 O'Clock Non Compliance Engines) (Used After Code Date 95072300).	678	281353	Spacer-Rewind
56	281336	Pulley-Starter			<b>Note</b>			
57	490179	Spring-Rewind Starter			497616 Starter-Rewind (5 O'Clock Non Compliance Engines) (Used Before Code Date 95072400).			
58A	280399	Rope-Starter (Cut to Required Length)			499926 Starter-Rewind (5 O'Clock Non Compliance Engines) Used on Type No(s). 0240.			
59	396892	Insert-Grip						
60A	393152	Grip-Starter Rope						

★ Included in Engine Gasket Set-Ref. No. 358.

∅ Included in Valve Gasket Set-Ref No. 1095.

# 10A900 to 10A999



REF. NO.	PART NO.	DESCRIPTION	REF. NO.	PART NO.	DESCRIPTION	REF. NO.	PART NO.	DESCRIPTION
3	★299819	Seal—Oil (Magneto Side)	12	★270833	Gasket—Crankcase (.015 Thick, Standard)	20	★391483	Seal—Oil (PTO Side)
7	★∅272694	Gasket—Cylinder Head			<b>Note</b>	51	★270345	Gasket—Intake
9	★∅272602	Gasket—Breather			★270895	163	★271139	Gasket—Air Cleaner
					Gasket—Crankcase—005 (.005 Thick)	358	298989	Gasket Set—Engine
					★270896	444	★270328	Gasket—Drive Gear Cover
					Gasket—Crankcase—009 (.009 Thick)	524	★271485	Seal—Dipstick Tube
						842	★270920	Seal—Dipstick/Tube
						1095	498526	Gasket Set—Valve

★ Included in Engine Gasket Set—Ref. No. 358.

∅ Included in Valve Gasket Set—Ref No. 1095.