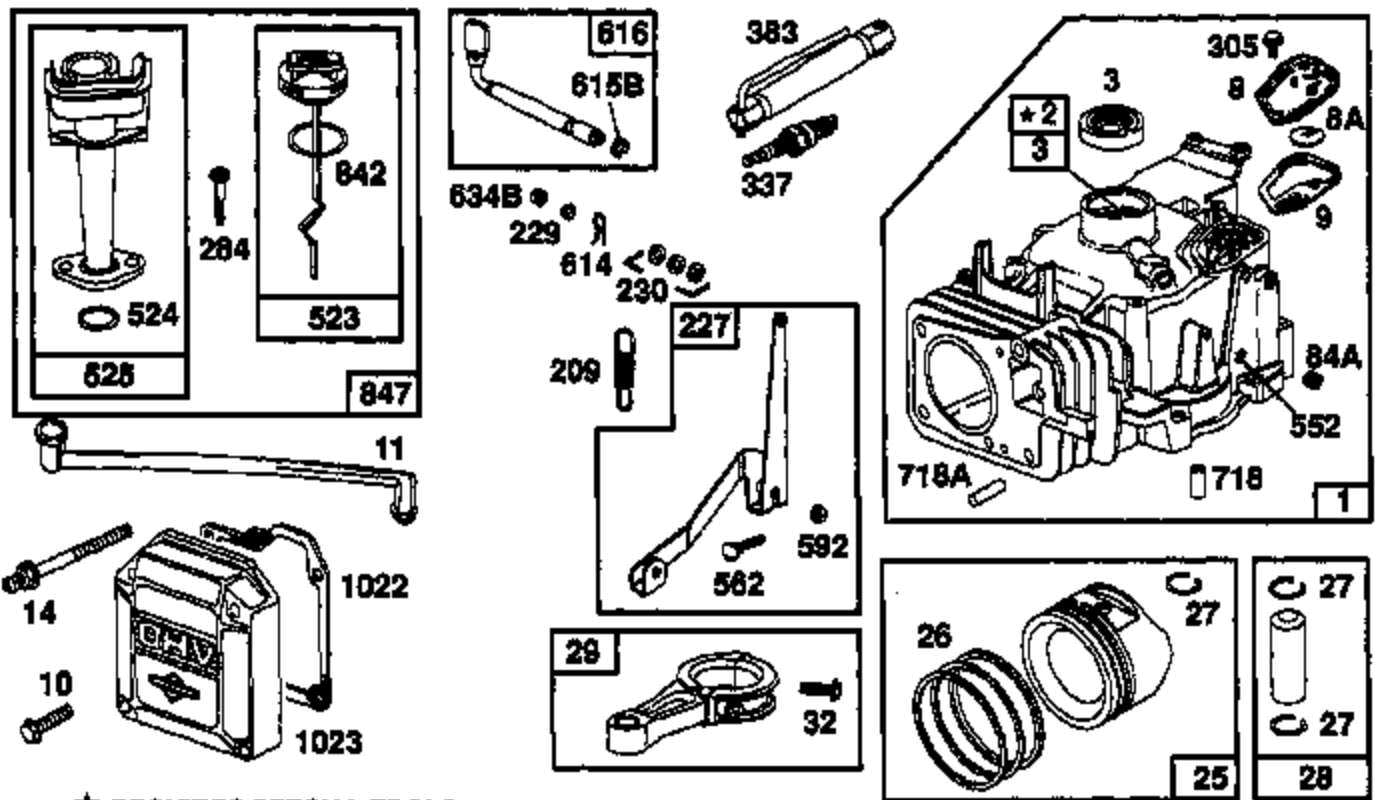
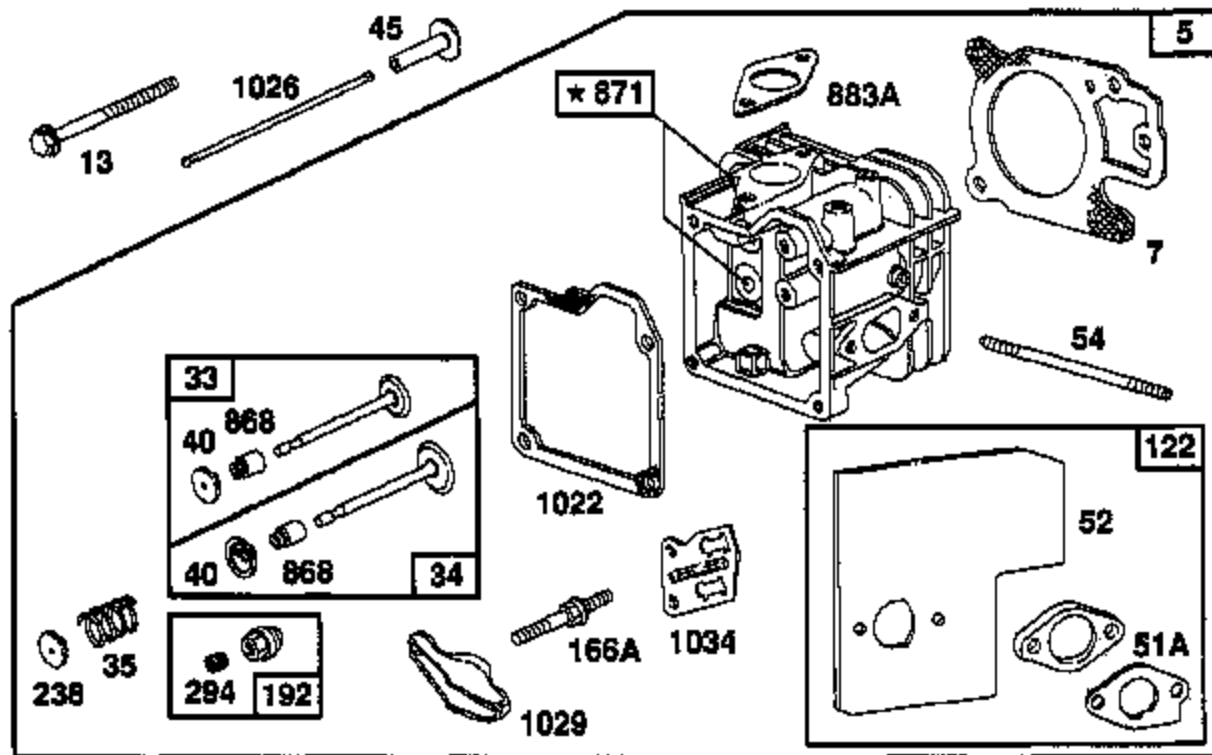


**MS- 9878**  
**7/93**  
**Model Series**  
**104700 to 104799**  
**Non- Compliance**  
**TYPE NUMBERS**  
**0101, 0102,**  
**0110 through 0125**  
**0127,**  
**4003 through 4007**  
**4024, 4025, 4044,**  
**4045.**  
**Compliance**  
**TYPE NUMBERS**  
**3101, 3102, 3112.**





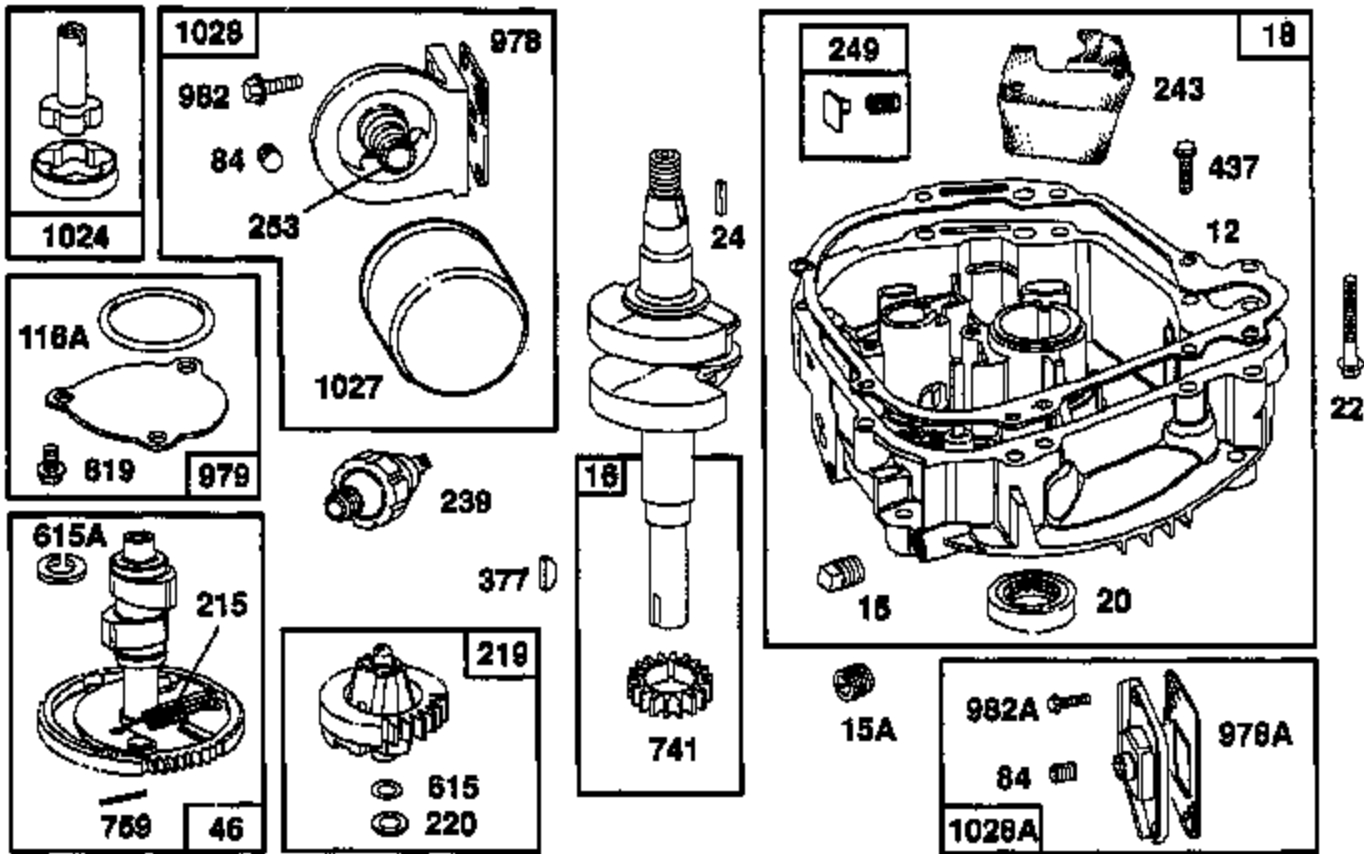
★ REQUIRES SPECIAL TOOLS TO INSTALL. SEE REPAIR INSTRUCTION MANUAL.

1	492741	Cylinder Assembly
2	492761	Bushing & Seal - Cyl.
3	*399781	Seal Oil
8	224144	Cover- Breather
8A	66434	Di sc- Breather
9	*272161	Gasket- Breather
10	810050	Screw- Rocker Arm Cover
11	280889	Tube- Breather
14	94436	Stud- Cylinder Head
25		Piston Assy. (Std.) See Last Pages.
<b>PISTON RING SETS</b>		
26	492766	Ring Set- Piston (Std.)
	492883	Ring Set- Piston (. 010" Oversize)
	492884	Ring Set- Piston (. 020" Oversize)
	492885	Ring Set- Piston (. 030" Oversize)
27	262514	Lock- Piston Pin
28	492765	Pin Assy. - Piston
29	493204	Rod Assy. - Conn. Note: For Connecting Rod With . 020" Undersize Crank Pin Bore- Order No. 493205.
32	810050	Screw- Conn. Rod
84A	93448	Plug- Pi pe (1/4- 18 NPTF)
209		Spring Governor See Last Pages.
227	492159	Lever Assembly- Gov.
229	810018	Washer- Gov. Crank (1 Required)
230	94742	Washer- Gov. Crank (3 Required)
284	810077	Screw- Oil Fill Tube
305	810037	Screw
337	491055	Plug- Spark
383	19374	Wrench- Spark Plug
523	492737	Dipstick- Oil Filler
524	*280892	Seal- Filler Tube
525	492736	Tube- Oil Filler
552	231632	Bushing- Gov. Crank
562	810043	Bolt- Gov. Lever
592	810011	Nut- Gov. Lever
614	93306	Pin- Cotter
615B	93307	Ring- Retai ni ng (Governor Crank)
616	492164	Crank- Governor
634B	*491323	Seal- Oil (Govenor Crank)
718	231589	Pin- Cylinder
718A	230192	Pin- Cylinder
842	*280393	Seal- Tube
847	492735	Dipstick & Tube Assy.
1022	*272131	Gasket- Rocker Arm Cover
1023	213522	Cover- Rocker Arm

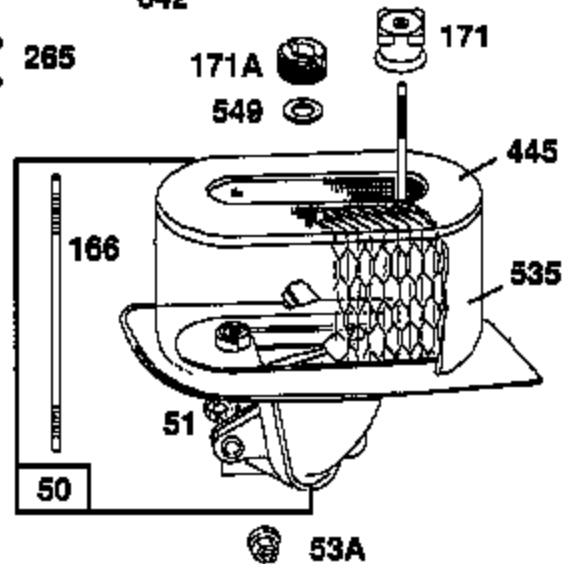
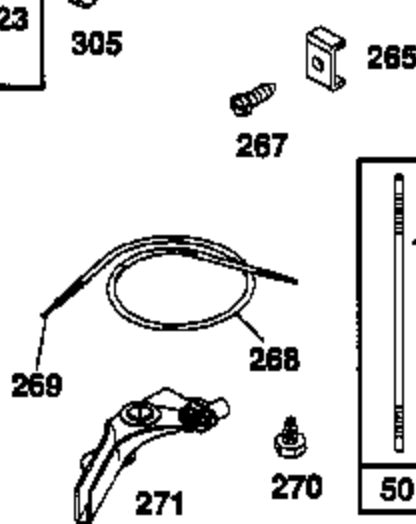
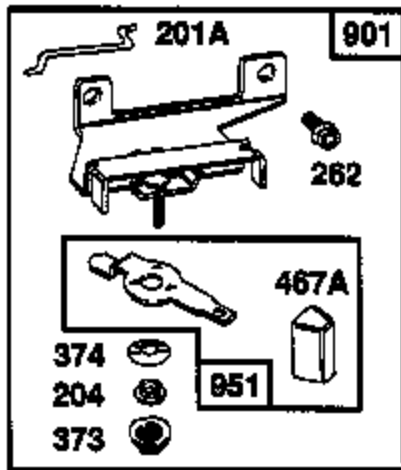
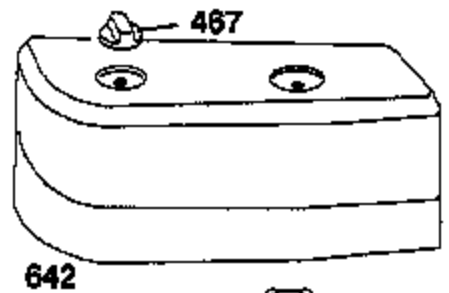
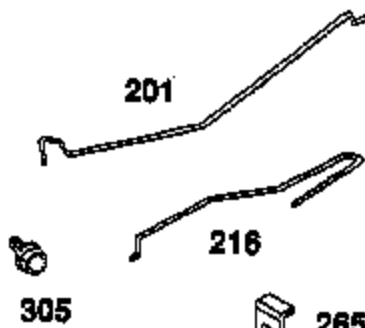
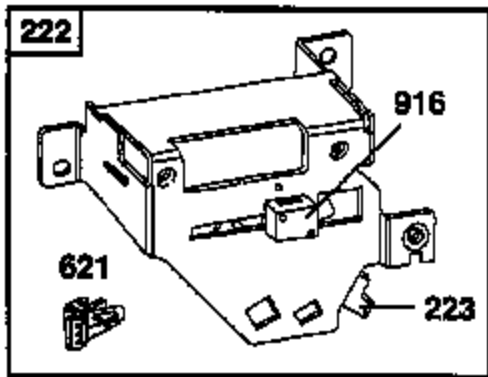


★ REQUIRES SPECIAL TOOLS  
TO INSTALL. SEE REPAIR  
INSTRUCTION MANUAL.


5	492782	Head- Cylinder
7	*272133	Gasket- Cylinder Head
13	94426	Screw- Cylinder Head
33	492770	Valve- Exhaust
34	492769	Valve- Intake
35	262550	Spring- Valve
40	262552	Retainer- Valve Spring
45	262521	Tappet- Valve
51A	*  272160	Gasket-Adapter to Carburetor
52	*  272159	Gasket-Adapter to Cylinder
54	94438	Stud- Carburetor Mtg.
122	492866	Adapter & Gasket Assy (Carburetor Mtg.)
166A	94437	Stud- Rocker Arm
192	492160	Ball & Screw Assy. - Rocker Arm
238	262499	Cap- Valve
294	810068	Screw- Set (Valve Adj.)
868	*491020	Seal - Valve Stem
871	262378	Bushing- Valve Guide (Exhaust or Intake)
883A	*272130	Gasket- Exhaust (Elbow To Head)
1022	*272131	Gasket- Rocker Arm Cover
1026	492042	Rod- Push
1029	224111	Arm- Rocker
1034	224205	Guide- Push Rod

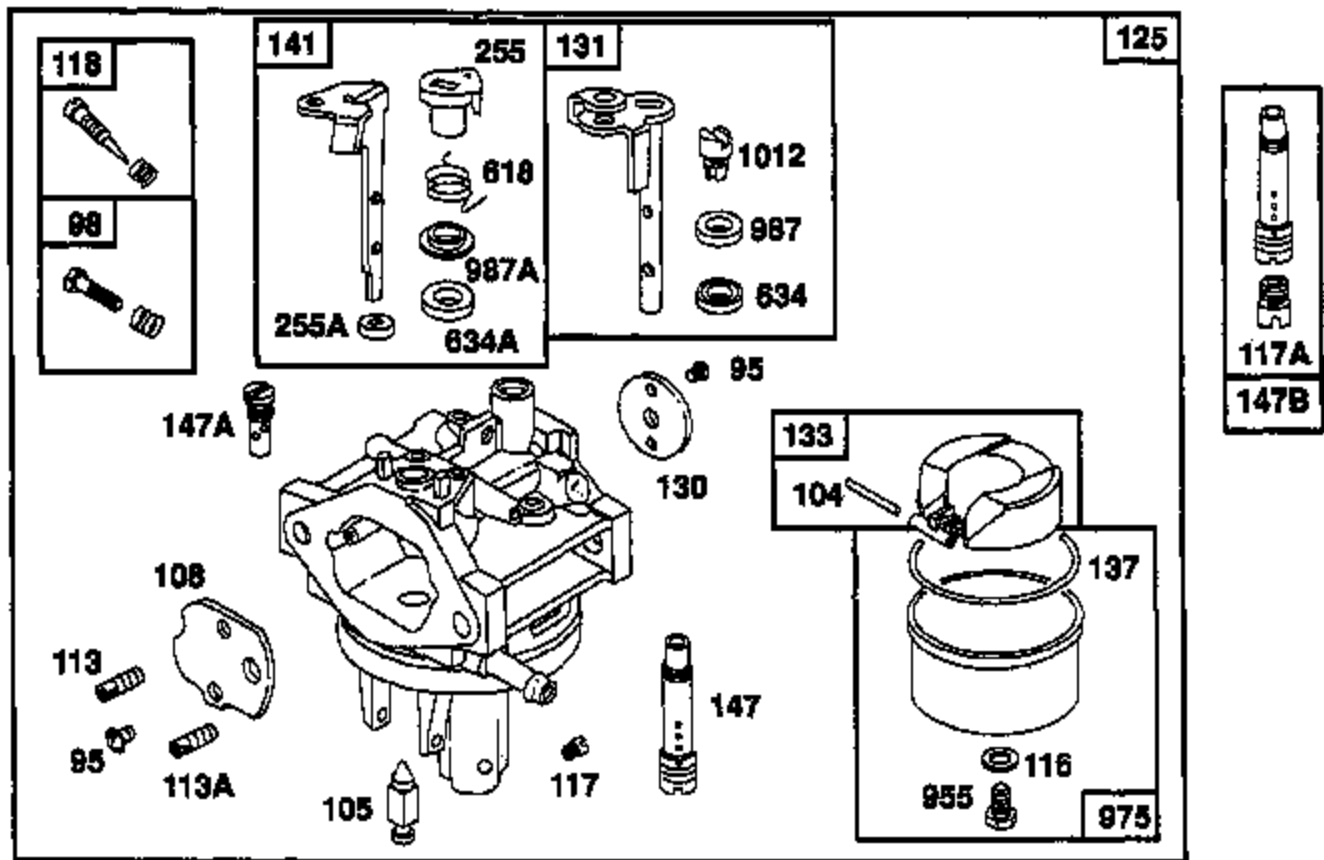


12	*272132	Gasket- Engine Base
15	94239	Plug- Oil Drain
15A	93418	Plug- Oil Drain (Socket Head)
16		Crankshaft See Last Pages.
18	492760	Base Assembly- Engine (Sump)
20	*399781	Seal- Oil
22	810076	Screw- Engine Base
24	222698	Key- Flywheel
46	492004	Gear- Cam
84	94379	Plug- Pipe (1/8- 27 NPTF)
116A	*280891	O- Ring (Oil Pump Cover)
215	262808	Spring- Cam Release (Red) (Used After Code Date 90111900). Note: 262568 Spring- Cam Release (Yellow) (Used Before Code Date 90111800).
219	492752	Gear- Governor
220	221551	Washer- Gov. Gear
239	491657	Switch- Oil Pressure
243	224208	Screen- Oil Pump
249	492758	Valve- Pressure Relief
253	231573	Nipple- Oil Filter
377	94329	Key- Woodruff
437	810080	Screw- Screen Mtg.
615	93555	Ring- Retaining (Governor Gear)
615A	94653	Ring- Retaining (Compression Release) (Used After Code Date 91031700). Note: 94399 Ring- Retaining (Used Before Code Date 91031800).
741	262515	Gear- Timing
759	94447	Pin- Spring (Pump Drive)
819	810082	Screw- Pump Cover
978	*272169	Gasket- Oil Filter Adapter
978A	*272158	Gasket- Filter Bypass Cover
979	492756	Cover- Oil Pump
982	810069	Screw- Filter Adapter
982A	810039	Screw- Filter Bypass Cover
1024	492165	Oil Pump Assembly
1027	492932	Filter- Oil
1028	492738	Adapter & Oil Filter
1028A	492305	Cover- Oil Filter Bypass

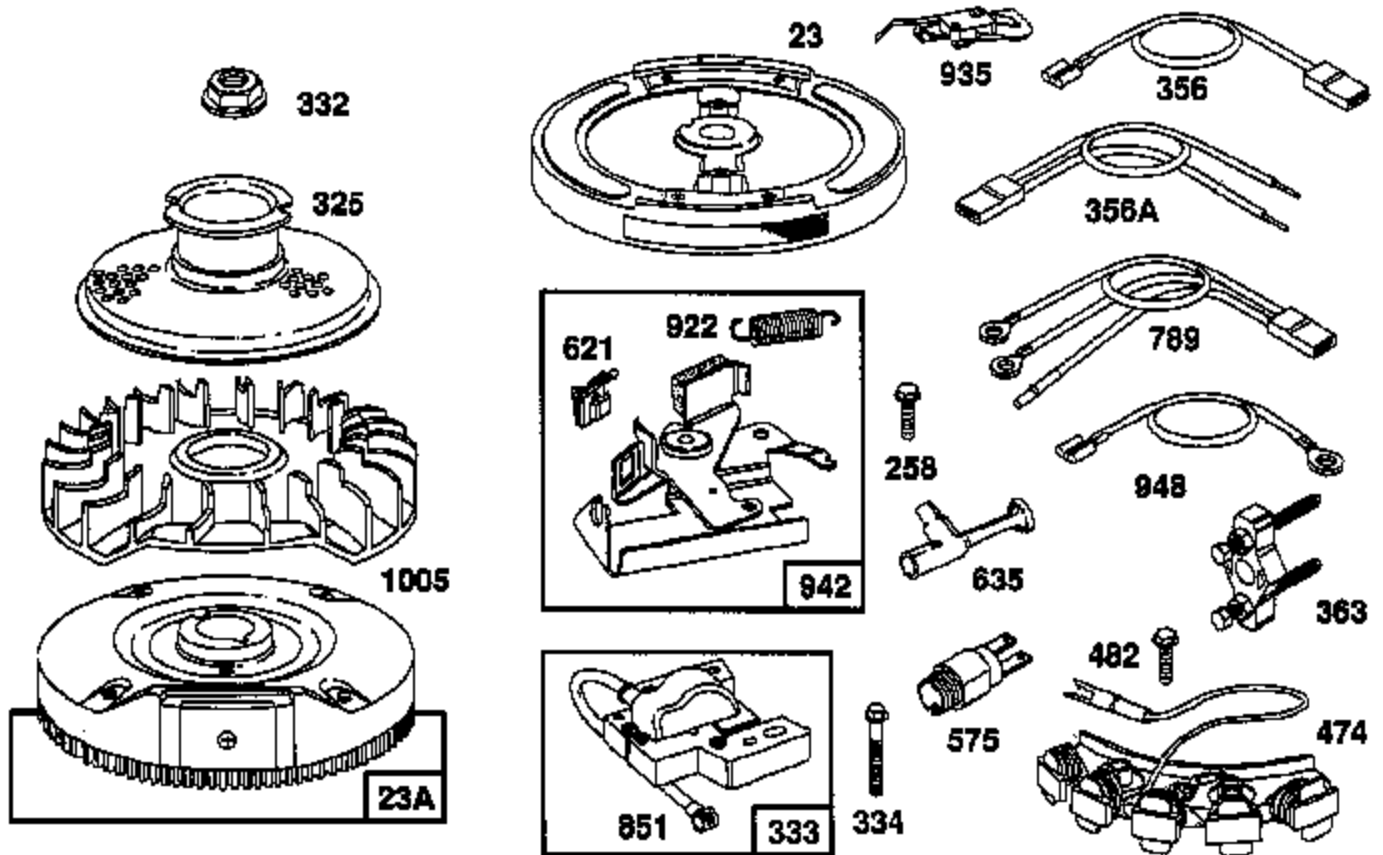




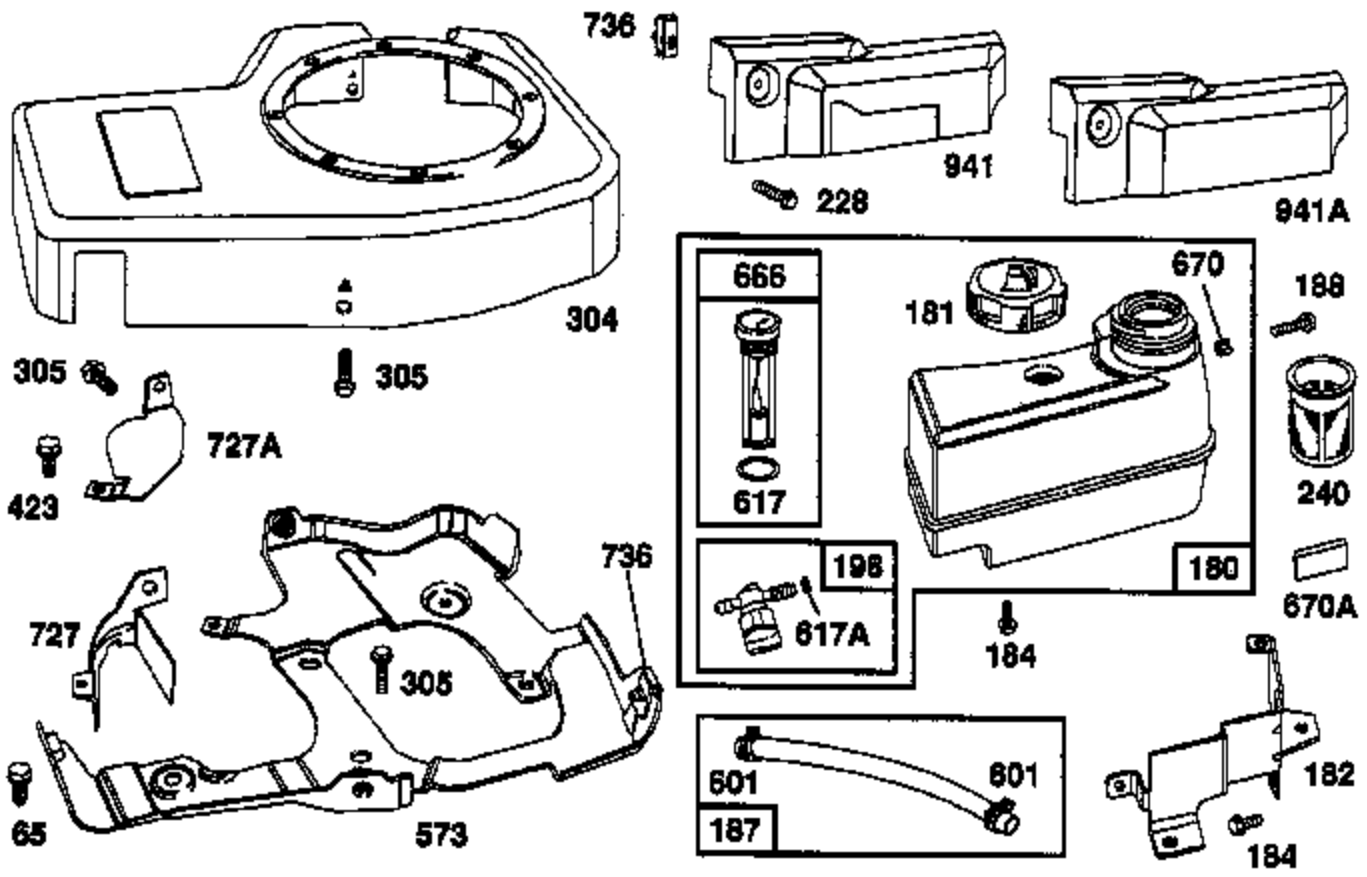
50	492150	El bow Assy. - Intake
51	*  272162	Gasket- Intake El bow
53A	810078	Nut- Hex.
166	94448	Stud- Air Cleaner
171	280888	Nut- Air Cleaner
171A	231691	Nut- Air Cleaner
201	262537	Li nk- Governor
201A	262635	Li nk- Manual Speed Cont.
204	231690	Bushi ng- Lever
216	262538	Li nk- Choke
222	492099	Bracket- Governor Control
223	492867	Lever- Control (Includes Rivet & Bushi ng)
262	810080	Screw- Hex. Hd.
265	221535	Cl amp- Casing
267	93496	Screw- Casing Cl amp
268		Casing- Control Wi re See Last Pages.
269		Wi re- Control See Last Pages.
270	63426	Locknut- Control Wi re Casing
271	290568	Lever Assy. - Control
305	810037	Screw
373	810070	Nut- Speed Control Lever
374	94502	Washer- Speed Control Lever
445	491950	Cartridge- Air Cleaner
467	491875	Knob- Air Cleaner
467A	280715	Knob- Speed Control Lever
535	493206	El ement- Air Cleaner
549	94249	Washer- Air Cleaner
621	396847	Swi tch- Stop
642	280879	Cover- Air Cleaner
901	492891	Bracket Assy. - Speed Control
916	280324	Gear- Rack
951	492878	Lever Assy. - Manual Speed Control



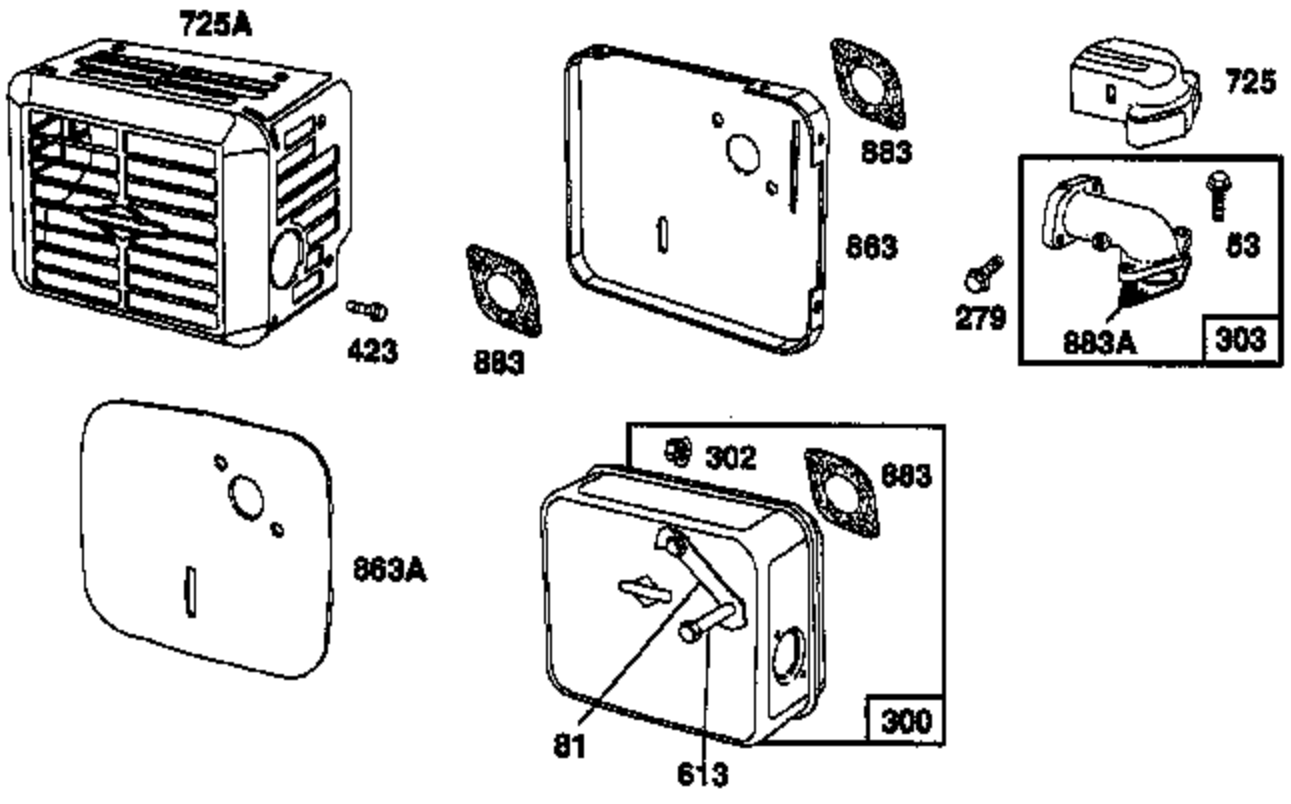
95	94457	Screw-Throttle & Choke Valve Mtg.
98	492481	Screw & Spring Assy. - Idle Speed
104	○ <sub>π</sub> 231642	Pin-Float Hinge
105	○ <sub>π</sub> 492186	Valve-Fuel Inlet Needle
108	224209	Valve-Choke
113	○ <sub>π</sub> 231689	Nozzle-Carburetor (Idle Air Bleed)
113A	○ <sub>π</sub> 231647	Nozzle-Carburetor (Main Well Air Bleed)
116	¿○ <sub>π</sub> 272187	Gasket-Carburetor Bowl Screw
117	○231738	Jet-Main (Side Jet) Note: 231739 Jet-Main (High Altitude) (Used After Code Date 90042800).
117A	π231645	Jet-Main (Bottom Jet) Note: 231668 Jet-Main (High Altitude) (Used Before Code Date 90042900).
118	○ <sub>π</sub> 492277	Valve Assy. - Carburetor Idle
125	492480	Carburetor Assembly
130	224211	Valve-Throttle
131	492484	Shaft Assy. - Throttle
133	492483	Float Assy. - Carburetor
137	¿○ <sub>π</sub> 272188	Gasket-Carburetor Bowl
141	492485	Shaft Assy. - Choke
147	○231737	Nozzle-Main Jet (Used After Code Date 90042800).
147A	○ <sub>π</sub> 231644	Nozzle-Pilot Jet
147B	π492488	Nozzle-Main Jet (Used Before Code Date 90042900).
255	○ <sub>π</sub> 280958	Retainer-Choke Shaft (Upper)
255A	○ <sub>π</sub> 280910	Retainer-Choke Shaft (Lower)
618	262560	Spring-Choke Shaft
634	○ <sub>π</sub> ¿492172	Seal-Throttle Shaft
634A	○ <sub>π</sub> ¿272184	Seal-Choke Shaft
955	94456	Screw-Bowl Mtg.
975	492486	Bowl Assy-Carburetor
987	○ <sub>π</sub> ¿280912	Washer-Throttle Shaft
987A	224214	Washer Choke Seal
1012	280861	Retainer-Throttle Link



23	493911	Flywheel Assy.
23A	491814	Flywheel & Ring Gear Assy. - Magneto Note: 493987 Flywheel & Ring Gear Assy. - Magneto Used on Type No. 3102.
258	810075	Screw-Brake Mtg.
325	492676	Hub-Rewind Starter
332	810042	Nut- Flywheel
333	491760	Armature- Magneto
334	810035	Screw-Armature Mtg.
356	399094	Wire- Ground
356A	493468	Wire Assembly- Dual Stop
363	19203	Puller- Flywheel
474	491469	Stator- Alternator
482	810071	Screw- Stator Mtg.
575	396291	Switch- - Ignition Includes: 392832 Key Set
621	396847	Switch- - Stop
635	280897	Elbow- Spark Plug
789	492520	Harness- Wiring Used on Engines Without Brake. Note: 492518 Harness- Wiring Used on Engines With Brake.
851	221798	Terminal - Ignition Cable
922	262554	Spring- Brake
935	492371	Switch & Bracket Assy. - Brake
942	492372	Brake Assembly
948	492519	Wire- Starter to Brake Switch
1005	280887	Fan- Flywheel

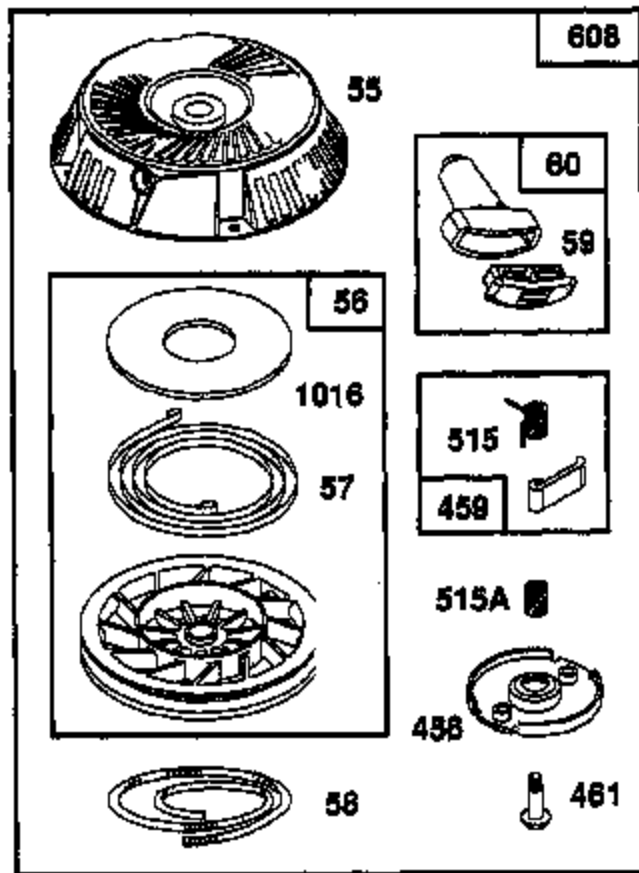
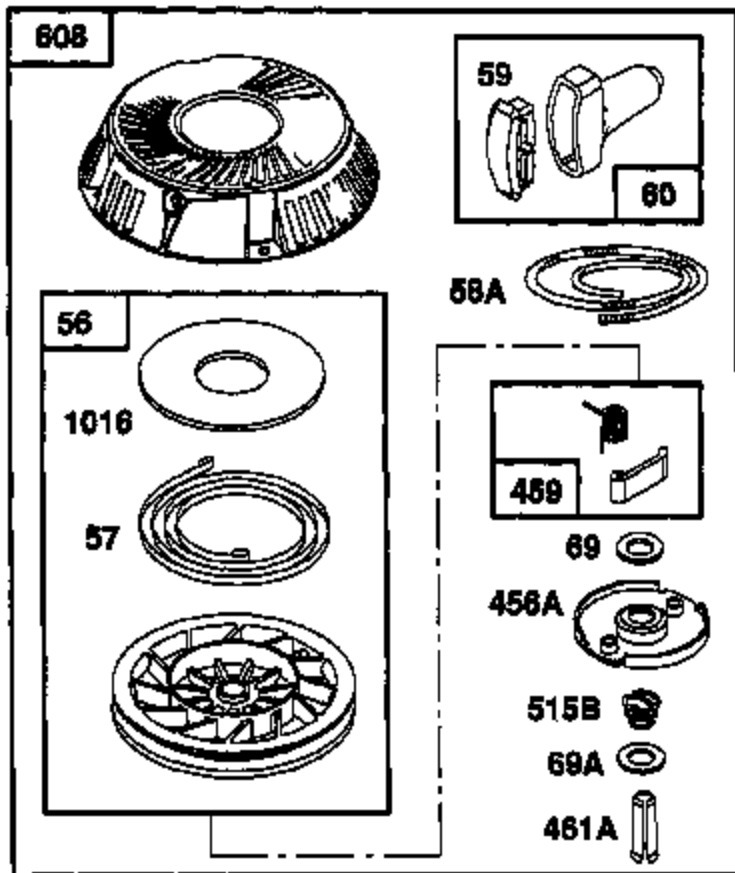


65	810074	Screw- Hex. Hd.
180	492191	Tank Assy. - Fuel
181	491367	Cap- Fuel Tank
182	224173	Bracket- Fuel Tank
184	810037	Screw Tank Bracket
187	393815	Hose- Fuel (Cut to Length)
188	810050	Screw- Tank Mtg.
198	491753	Valve- Fuel Shut- Off
228	810085	Screw- Brake Cover
240	492044	Filter- Fuel Tank Inlet
304	492074	Housing- Blower (Red) Note: 492075 Housing- Blower (Black)
305	810037	Screw
423	810079	Screw- Hex. Hd.
573	492055	Plate- Back
601	93807	Clamp- Fuel Hose (Black) Note: 93053 Cl amp- Fuel Hose (Green)
617	*280936	O- Ri ng (Fuel Gage)
617A	*280670	O- Ri ng (Shut- Off Val ve)
666	492140	Gage- Fuel
670	94446	Spacer- Fuel Tank
670A	272294	Spacer- Fuel Tank
727	224179	Guard- Flywheel
727A	224178	Guard- Flywheel
736	812128	Nut- Cli p
941	280944	Cover- Brake
941A	280945	Cover- Blower Housing Cut- Out

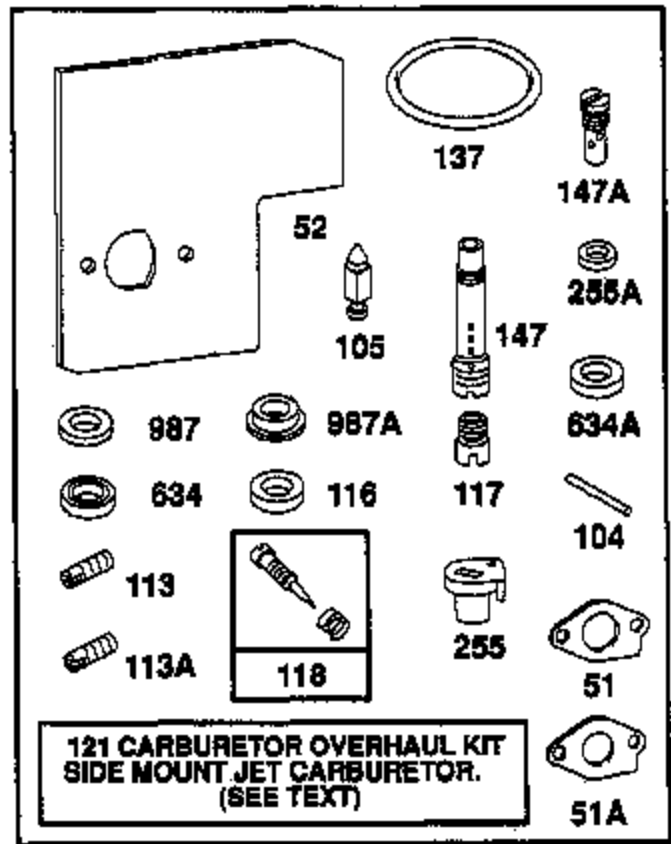
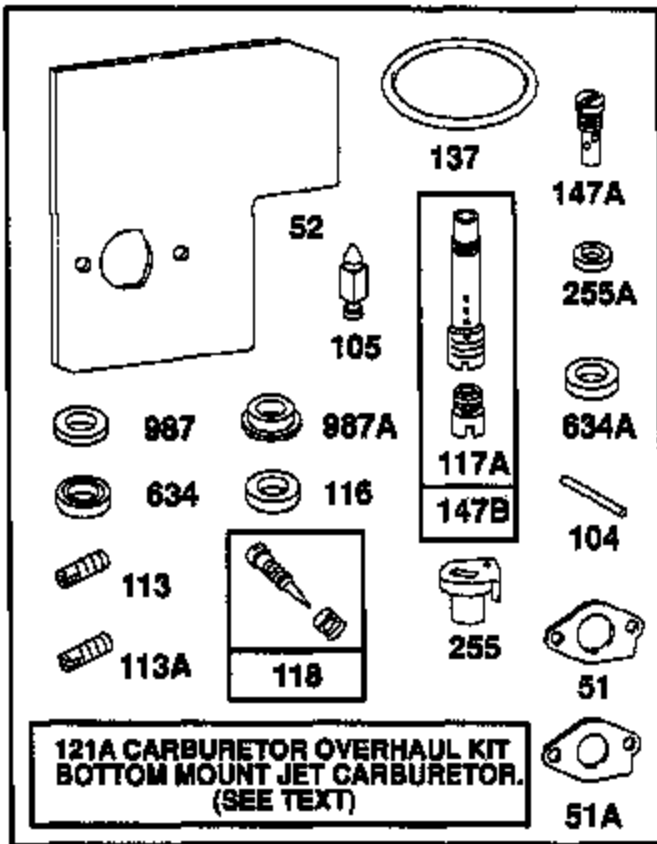




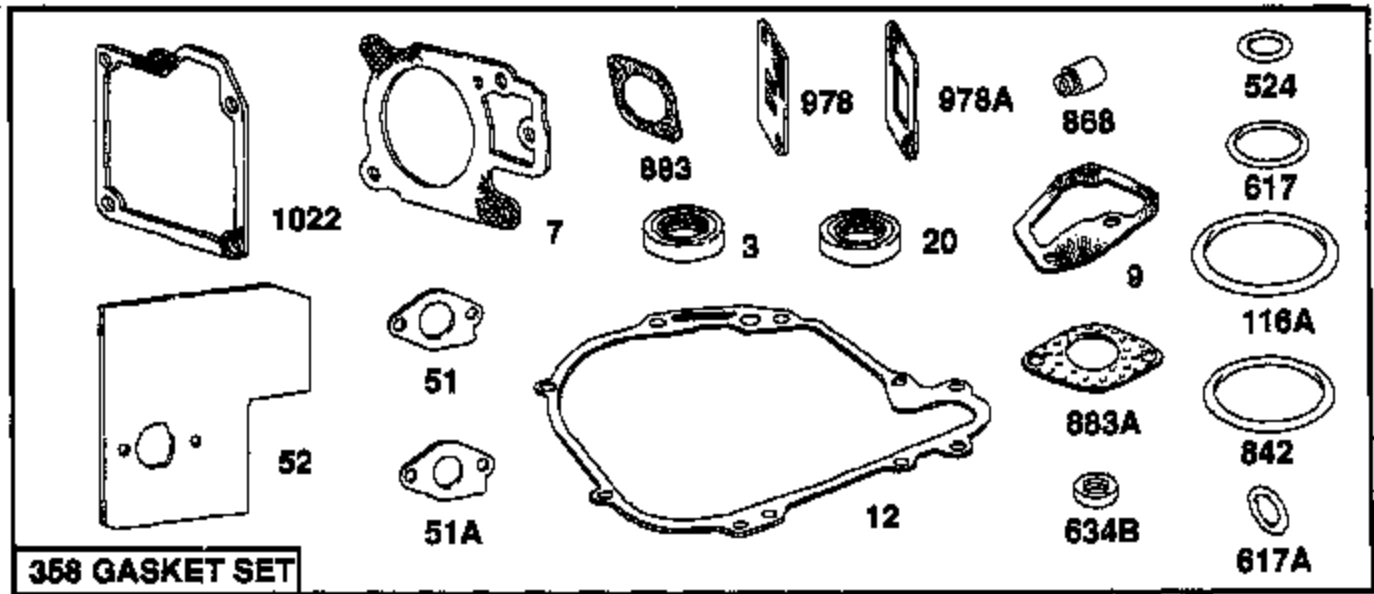
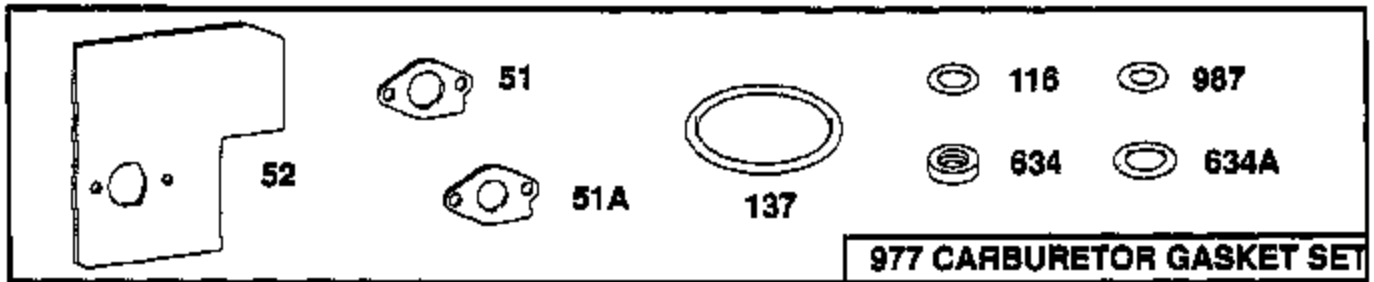
53	810040	Screw- Exhaust El bow
279	810036	Screw- Exhaust Shi el d
300	492746	Muffler- Exhaust
302	810086	Nut- Muffler Bracket
303	492747	El bow Assy. - Exhaust
423	810079	Screw- Hex. Hd.
613	94434	Screw- Muffler Mtg.
725	224150	Shi el d- Exhaust El bow
725A	224170	Guard- Muffler
863	224171	Backpl ate- Muffler Used on Engines With Muffler Guard.
863A	224206	Backpl ate- Muffler Used on Engines Without Muffler Guard
883	*272228	Gasket- Muffler
883A	*272130	Gasket- Exhaust- (El bow To Head)


















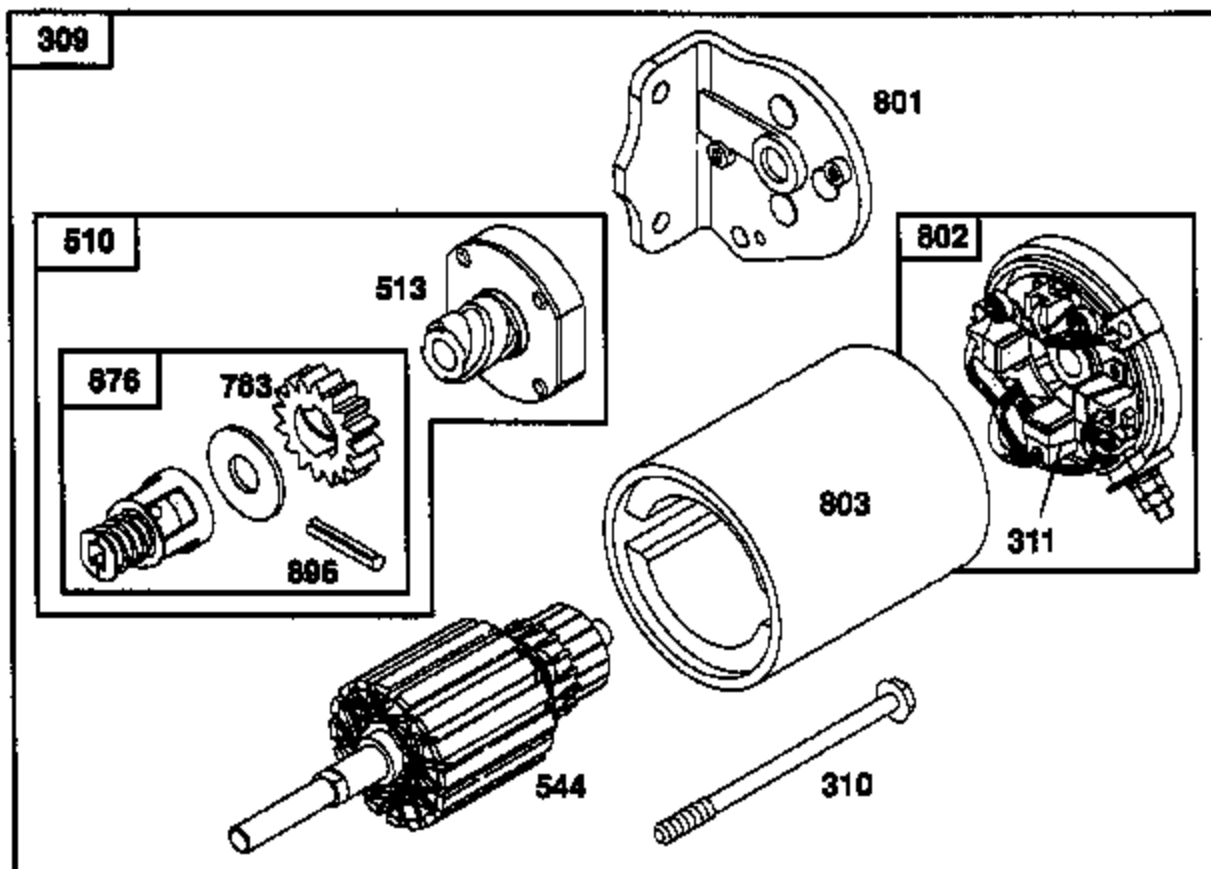
55	492142	Housing- Rewind Starter
56	493824	Pulley- Rewind Starter
57	262594	Spring- Rewind Starter
58	280406	Rope- Starter (82")
58A	280399	Rope- Starter (99" Long, Cut to Suit)
59	396892	Insert- Starter Handle
60	393152	Handle- Rewind Starter
69	280973	Washer- Rewind Starter
69A	224322	Washer- Rewind Starter
456	224204	Retainer- Rewind Starter
456A	224321	Retainer- Rewind Starter
459	492833	Dog- Starter
461	94453	Screw- Retainer
461A	262626	Pin- Starter
515	262556	Spring- Dog
515A	262555	Spring- Torsion
515B	262625	Spring- Torsion
608	492143	Starter Assembly- Rewind
1016	224278	Cover- Rewind Starter



- 51 \* $\overline{\pi}$   $\overline{\zeta}$   $\circ$ 272162 Gasket-Intake Elbow
- 51A \* $\overline{\pi}$   $\overline{\zeta}$   $\circ$ 272160 Gasket-Adapter to Carburetor
- 52 \* $\overline{\pi}$   $\overline{\zeta}$   $\circ$ 272159 Gasket-Adapter to Cylinder
- 104  $\overline{\pi}$   $\circ$ 231642 Pin-Float Hinge
- 105  $\overline{\pi}$   $\circ$ 492186 Valve-Fuel Inlet Needle
- 113  $\overline{\pi}$   $\circ$ 231689 Nozzle-Carburetor (Idle Air Bleed)
- 113A  $\overline{\pi}$   $\circ$ 231647 Nozzle-Carburetor (Main Well Air Bleed)
- 116  $\overline{\pi}$   $\circ$   $\overline{\zeta}$  272187 Gasket-Carb. Bowl Screw
- 117  $\circ$ 231738 Jet-Main (Side Jet)  
Note: 231739 Jet-Main (High Altitude) (Used After Code Date 90042800).
- 117A  $\overline{\pi}$  231645 Jet-Main (Bottom Jet)  
Note: 231668 Jet-Main (High Altitude) (Used Before Code Date 90042900).
- 118  $\overline{\pi}$   $\circ$ 492277 Valve Assy. - Carb. Idle
- 121 494248 Carburetor Overhaul Kit  
Used With Side Jet Carburetor.  
(Used After Code Date 90042800).
- 121A 492487 Carb. Overhaul Kit  
(Used Before Code Date 90042900).
- 137  $\overline{\pi}$   $\circ$   $\overline{\zeta}$  272188 Gasket-Carb. Bowl
- 147  $\circ$ 231737 Nozzle-Main Jet  
(Used After Code Date 90042800).
- 147A  $\overline{\pi}$   $\circ$ 231644 Nozzle-Pilot Jet
- 147B  $\overline{\pi}$  492488 Nozzle-Main Jet  
(Used Before Code Date 90042900).
- 255  $\overline{\pi}$   $\circ$ 280958 Retainer-Choke Shaft (Upper)
- 255A  $\overline{\pi}$   $\circ$ 280910 Retainer-Choke Shaft (Lower)
- 634  $\overline{\pi}$   $\circ$   $\overline{\zeta}$  492172 Seal-Throttle Shaft
- 634A  $\overline{\pi}$   $\circ$   $\overline{\zeta}$  272184 Seal-Choke Shaft
- 978A \* $\overline{\pi}$   $\overline{\zeta}$  272158 Gasket-Filter Bypass Cover
- 987  $\overline{\pi}$   $\circ$   $\overline{\zeta}$  280912 Washer-Throttle Shaft
- 987A \* $\overline{\pi}$   $\circ$  224214 Washer-Choke Seal



3	*399781	Seal - Oil
7	*272133	Gasket - Cylinder Head
9	*272161	Gasket - Breather
12	*272132	Gasket - Engine Base
20	*399781	Seal - Oil
51	*   272162	Gasket - Intake Elbow
51A	*   272160	Gasket - Adapter to Carburetor
52	*   272159	Gasket - Adapter to Cylinder
116	 272187	Gasket - Carb. Bowl Screw
116A	*280891	O - Ring (Oil Pump Cover)
137	  272188	Gasket - Carb. Bowl
358	492872	Gasket Set
524	*280892	Seal - Filler Tube
617	*280936	O - Ring (Fuel Gage)
617A	*280670	O - Ring (Shut - Off Valve)
634	  492172	Seal - Throttle Shaft
634A	  272184	Seal - Choke Shaft
634B	*491323	Seal - Oil (Governor Crank)
842	*280393	Seal - Tube (Oil Fill)
868	*491020	Seal - Valve Stem
883	*272228	Gasket - Muffler
883A	*272130	Gasket - Exhaust (Elbow To Head)
977	492482	Gasket Set - Carburetor
978	*272169	Gasket - Oil Filter Adapter
978A	*272158	Gasket - Filter Bypass Cover
987	  280912	Washer - Throttle Shaft
1022	*272131	Gasket - Rocker Arm Cover





309	491766	Motor- Starting
310	94003	Bolt- Thru
311	395538	Brush Assy.
510	490421	Drive Assy.
513	398003	Clutch Assy.
544	492865	Armature Assy.
728	810040	Screw- Elec. Starter Mtg.
783	280104	Gear
801	491339	Drive Assy. - End Cap
802	395537	End Cap Assy. - Commutator
803	393825	Housing Assy.
876	490467	Pinion Kit- Spring
896	94288	Pin- Roll
16	493874	Crankshaft (25 mm) Note: Order Part No. 94388 For Timing Gear Key Replacement. 493875 Crankshaft Used on Type Nos. 0121, 3112. 493876 Crankshaft Used on Type Nos. 0110, 0111, 0123, 0124, 4005, 4007, 4025. 493877 Crankshaft Used on Type Nos. 0117, 0118, 0125, 4044. 493878 Crankshaft Used on Type No. 4045.
25	492767	Piston Assy. (Std.) 492886 Piston Assy. (.010" O.S.) 492887 Piston Assy. (.020" O.S.) 492888 Piston Assy. (.030" O.S.)
209	262572	Spring- Governor Note: 262573 Spring- Gov. Used on Type Nos. 0101, 0102, 3101, 3102, 3112. 262574 Spring- Gov. Used on Type Nos. 0111, 4003, 4024, 4025, 4044. 4045- 262575 Spring- Gov. Used on Type Nos. 0116, 0119, 0120, 0121, 0124, 4004, 4005, 4006, 4007. 262576 Spring- Gov. Used on Type Nos. 0110, 0114, 0115, 0117, 0118, 0123, 0125, 0127. 262577 Spring- Gov. Used on Type Nos. 0112, 0113.
268	65616	Casing- Control Wire (72" Long) Note: If Longer Casing is Required, Specify  Length in Inches; If Shorter Casing is Needed, Order No. 65616 and Cut to

269

26633

Required Length.  
Wire-Control  
(78" Long)  
Note: If Longer Wire  
is  
Required, Specify  
Length in Inches; If  
Shorter Wire is  
Needed, Order No.  
26633 and Cut to  
Required Length.

\* Included in Gasket Set-Part No. 492872.

○ Included in Carburetor Overhaul Kit-  
Part No. 494248.

⌈ Included in Carburetor Overhaul Kit-  
Part No. 492487.

⌋ Included in Carburetor Gasket Set-  
Part No. 492482.