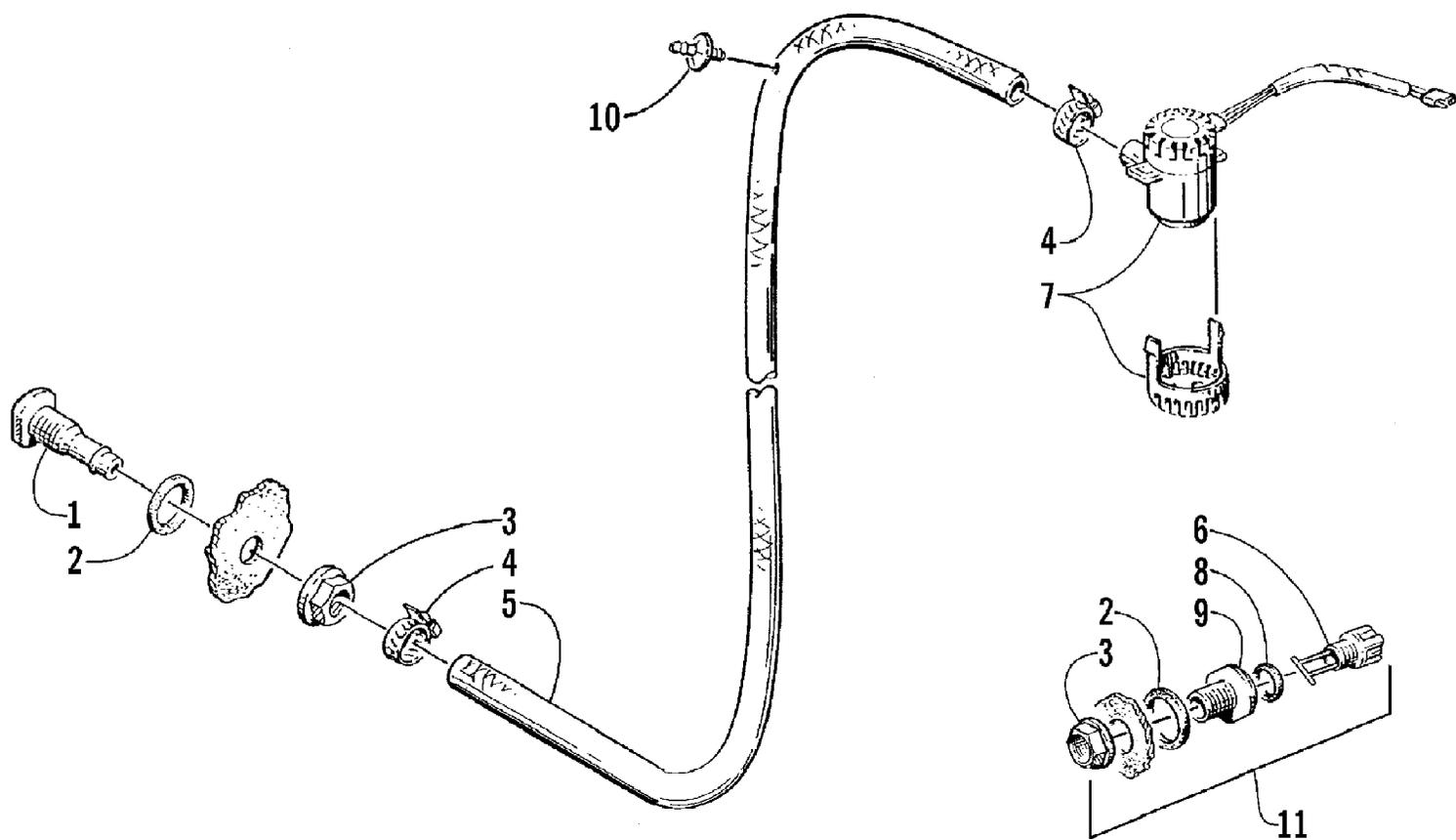


1999 TS 900 L (W1999TSLLAUS-1999)
BILGE PUMP ASSEMBLY

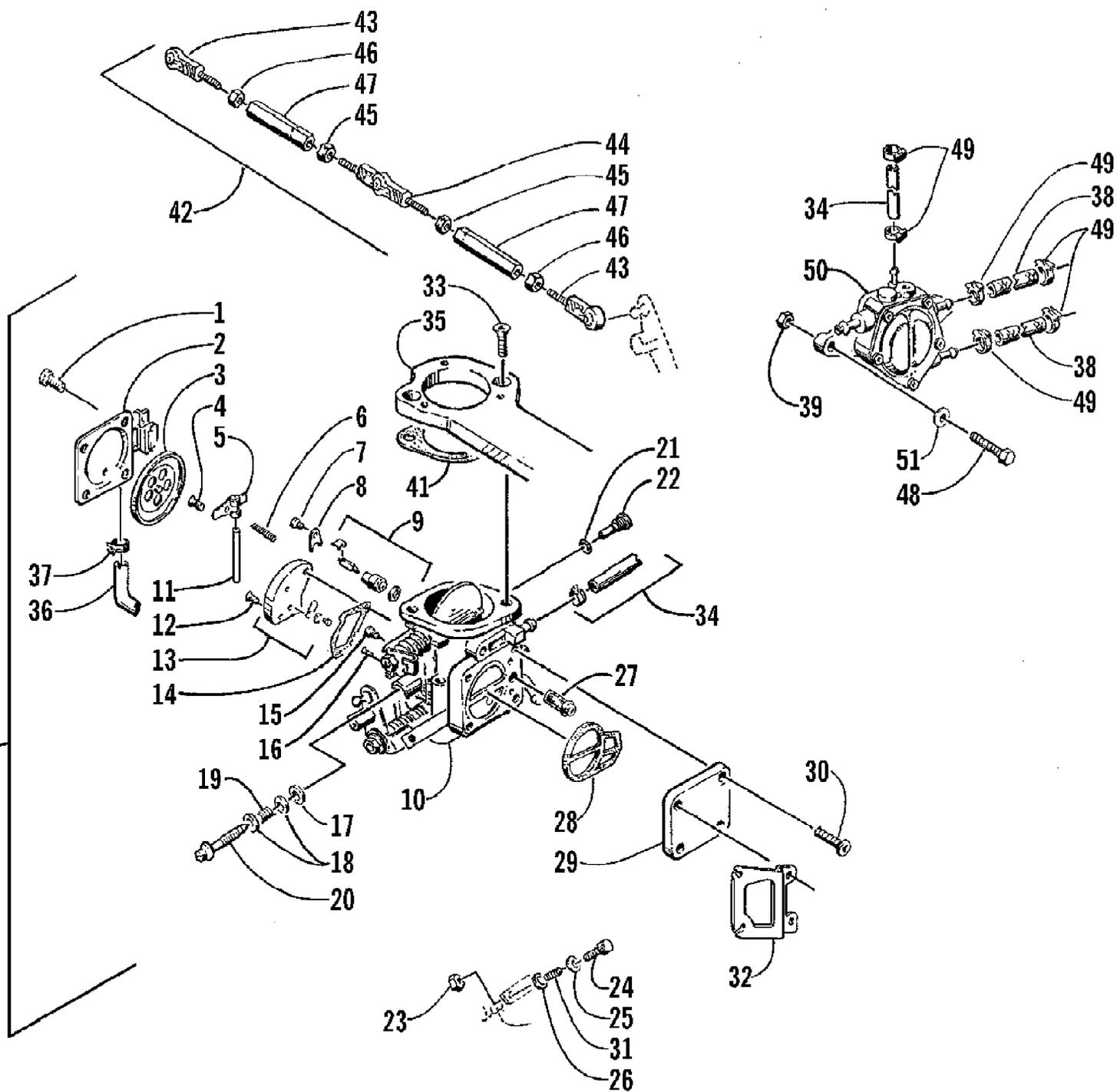


1999 TS 900 L (W1999TSLLAUS-1999)
BILGE PUMP ASSEMBLY

Page 2 of 65

Ref #	Part Number	Qty	S/P/F	Description
1	0673-377	1		Fitting, Outlet - Bilge
2	0612-456	2		Seal, Fitting
3	0623-753	2	/P	Nut, Fitting
4	0624-018	2		Clamp, Hose
5	0710-268	1		Hose, Bilge
6	0673-404	1		Plug, Drain
7	1673-331	1	S	Pump, Bilge
8	0673-459	1		O-Ring
9	0673-278	1		Retainer, Drain Plug
10	0610-059	1		Valve, Check
11	0678-565	1		Kit, Hull Drain (inc. 2,3,6,8,9)

1999 TS 900 L (W1999TSLLAUS-1999)
CARBURETOR



1999 TS 900 L (W1999TSLLAUS-1999)
CARBURETOR

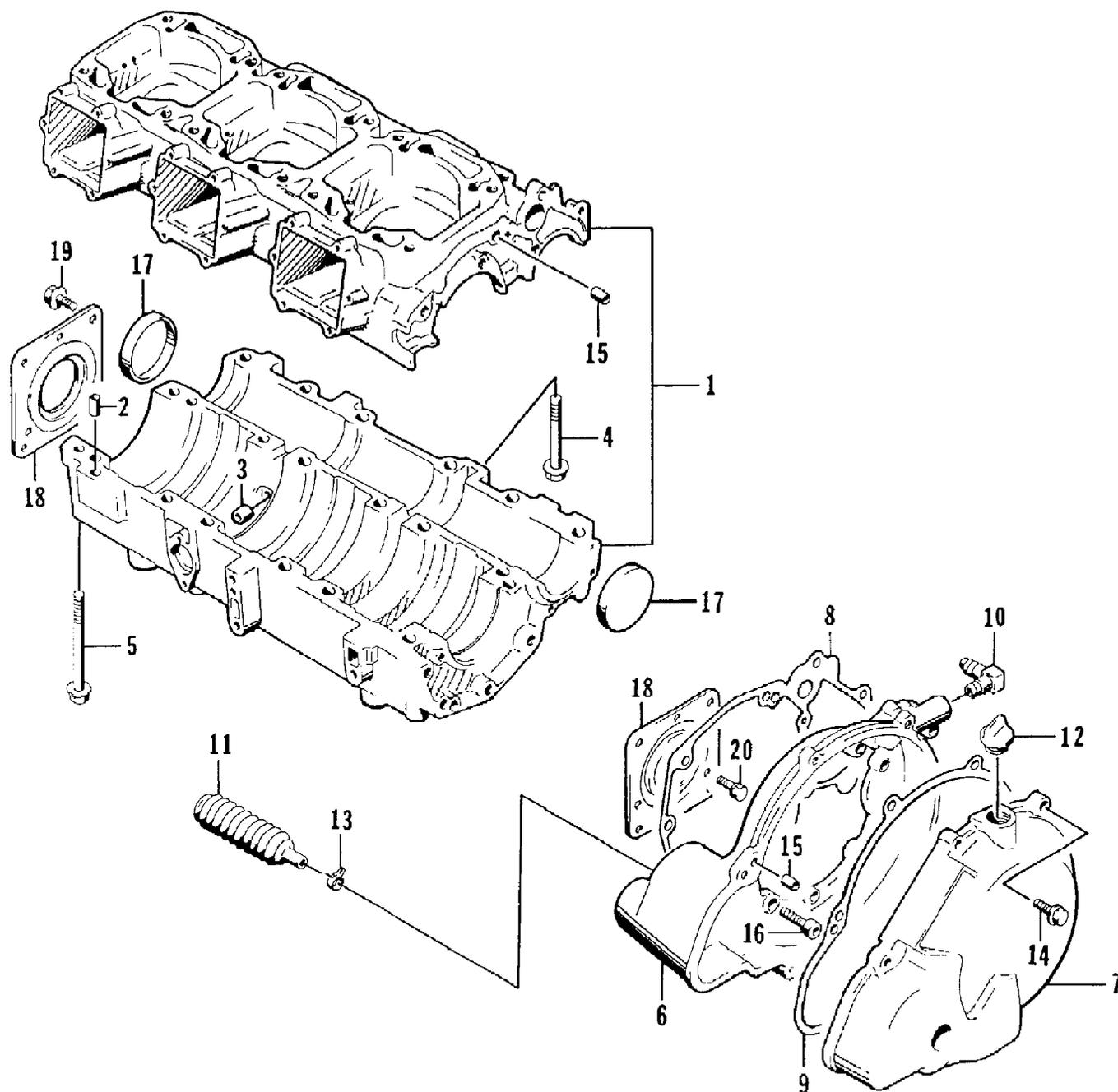
Page 4 of 65

Ref #	Part Number	Qty	S/P/F	Description
	0670-986	1		Complete Assembly (inc. 1-37, 40-47)
1	6505-915	8		Screw, Machine (Mag and Center Carburetor)
1	6505-943	4		Screw, Machine (PTO Carburetor)
2	6505-662	2		Cover (Mag and Center Carburetor)
2	6506-021	1		Cover (PTO Carburetor)
3	6505-663	3		Diaphragm Assembly
4	6505-692	3		Screw, Machine
5	6505-664	3		Arm
6	6505-934	3		Spring
7	6505-695	3		Screw, Machine
8	6505-682	3		Plate
9	6505-944	3		Needle Valve Assembly
10	0	3	F	Mixing Body
11	6505-681	3		Pin
12	6505-679	6		Screw, Machine
13	6505-680	3		Block, Metering
14	6505-677	3		Gasket
15	6505-732	1		Jet, High Speed - 105 (Mag Carburetor)
15	6505-743	1		Jet, High Speed - 135 (Center Carburetor)
15	6505-737	1		Jet, High Speed - 120 (PTO Carburetor)
16	6505-774	1		Jet, Low Speed - 70
17	6505-668	3		Seal
18	6505-661	6		Washer
19	6505-660	3		Spring
20	6505-852	3		Adjuster
21	6505-042	3		O-Ring
22	6505-109	1		Jet, Main Fixed (Mag Carburetor)
22	6505-394	2		Jet, Pilot #95 (Center and PTO Carburetor)
23	6505-911	1		Nut
24	6505-912	1		Screw Assembly
25	6505-703	1		Washer
26	6505-872	1	/P	O-Ring
27	6505-676	3		Filter
28	6505-665	3		S-Gasket
29	6505-848	3		Cover Assembly
30	6505-853	12		Screw, Machine
31	6505-678	1		Spring
32	6505-913	1		Bracket, Cable
33	6505-914	6		Screw, Machine
34	0710-425	0	/P	Hose Assembly
35	6505-917	1		Plate, Mounting
36	6505-941	2		Clip (PTO Carburetor)
37	6505-942	1		Hose (PTO Carburetor)
38	0710-425	0	/P	Hose - 25 ft
39	0624-089	2		Nut, Lock
40	6506-107	1		Mag Carburetor Assembly (inc. 1-32)
40	6506-106	1		Center Carburetor Assembly (inc. 1-22 & 27-30)
40	6506-105	1		PTO Carburetor Assembly (inc. 1-22 & 27-30)
41	6505-916	3		Gasket
42	6505-919	1		Rod Assembly (inc. 43-47)
43	6505-858	2		Rod - End

1999 TS 900 L (W1999TSLLAUS-1999)
CARBURETOR

Page 5 of 65

Ref #	Part Number	Qty	S/P/F	Description
44	6505-922	1		. Rod - Center
45	6505-859	2		. Nut - Left
46	6505-860	2		. Nut - Right
47	6505-921	2	/P	. Adjuster, Throttle Linkage
48	0624-289	2		Screw, Cap
49	0624-120	14		Clamp
50	0670-573	1		Pump, Fuel
51	0624-022	2		Washer

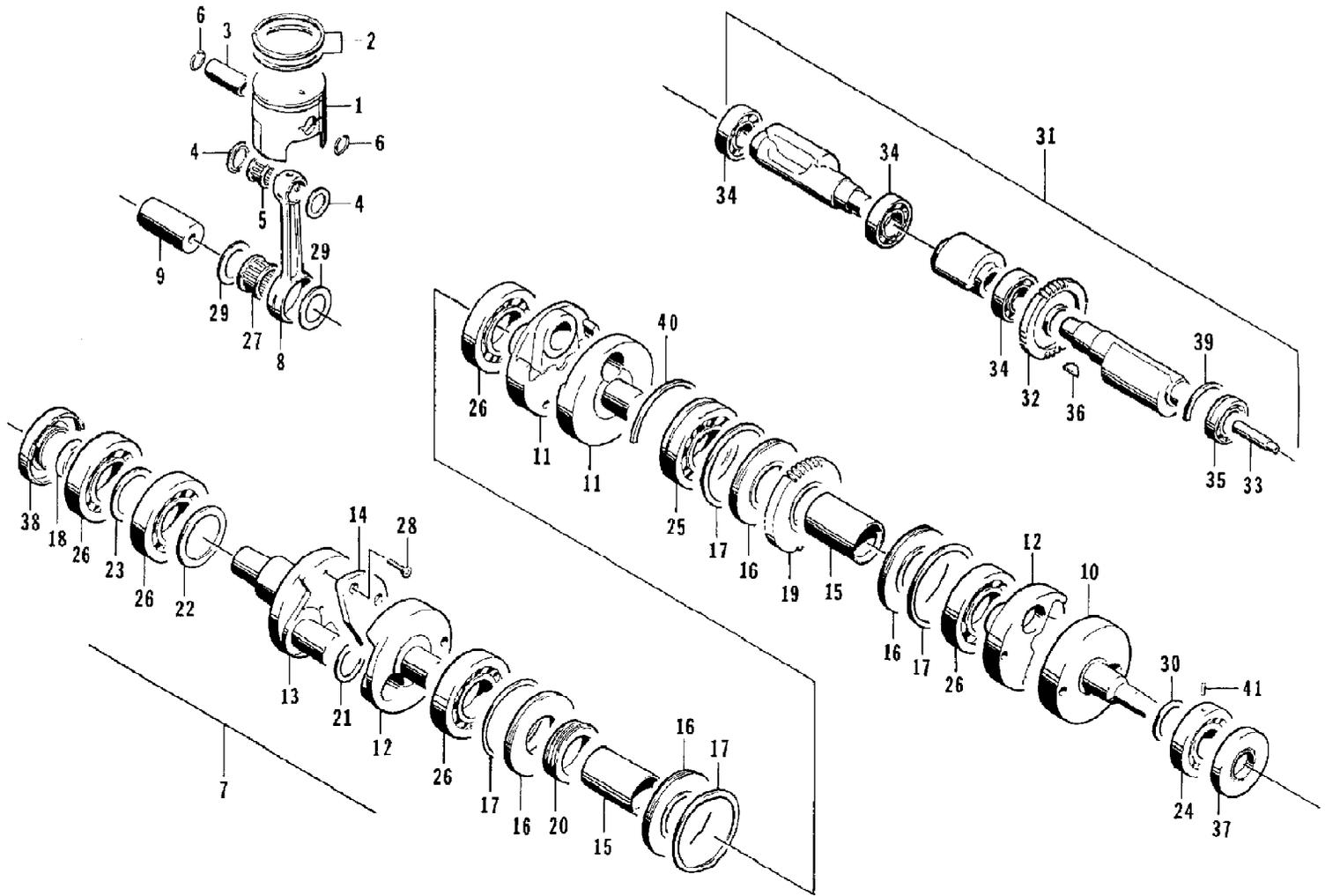


1999 TS 900 L (W1999TSLLAUS-1999)
CRANKCASE ASSEMBLY

Page 7 of 65

Ref #	Part Number	Qty	S/P/F	Description
1	3008-256	1		Crankcase Assembly (inc. 2-5)
2	3003-646	2		. Pin, Knock
3	3003-289	1		. Bushing
4	3008-212	6	/P	. Screw, Cap
5	3008-301	14		. Screw, Cap
6	3008-257	1		Case, Magneto
7	3008-258	1		Cover, Magneto Case
8	3008-259	1	S	Gasket, Magneto Case
9	3008-260	1		Gasket, Magneto Case Cover
10	3008-092	1		Union, Cooling Hose
11	3008-100	1		Bladder
12	3008-023	1		Plug, Timing Hole
13	3008-038	1		Clip
14	3008-213	12	/P	Screw, Cap
15	3002-012	4		Pin, Knock
16	3008-303	6		Screw, Cap
17	3004-202	2		Plug, Balancer Shaft
18	3008-304	2	/P	Plate, Oil Seal
19	3008-216	4		Screw, Cap
20	3008-305	3		Screw, Cap

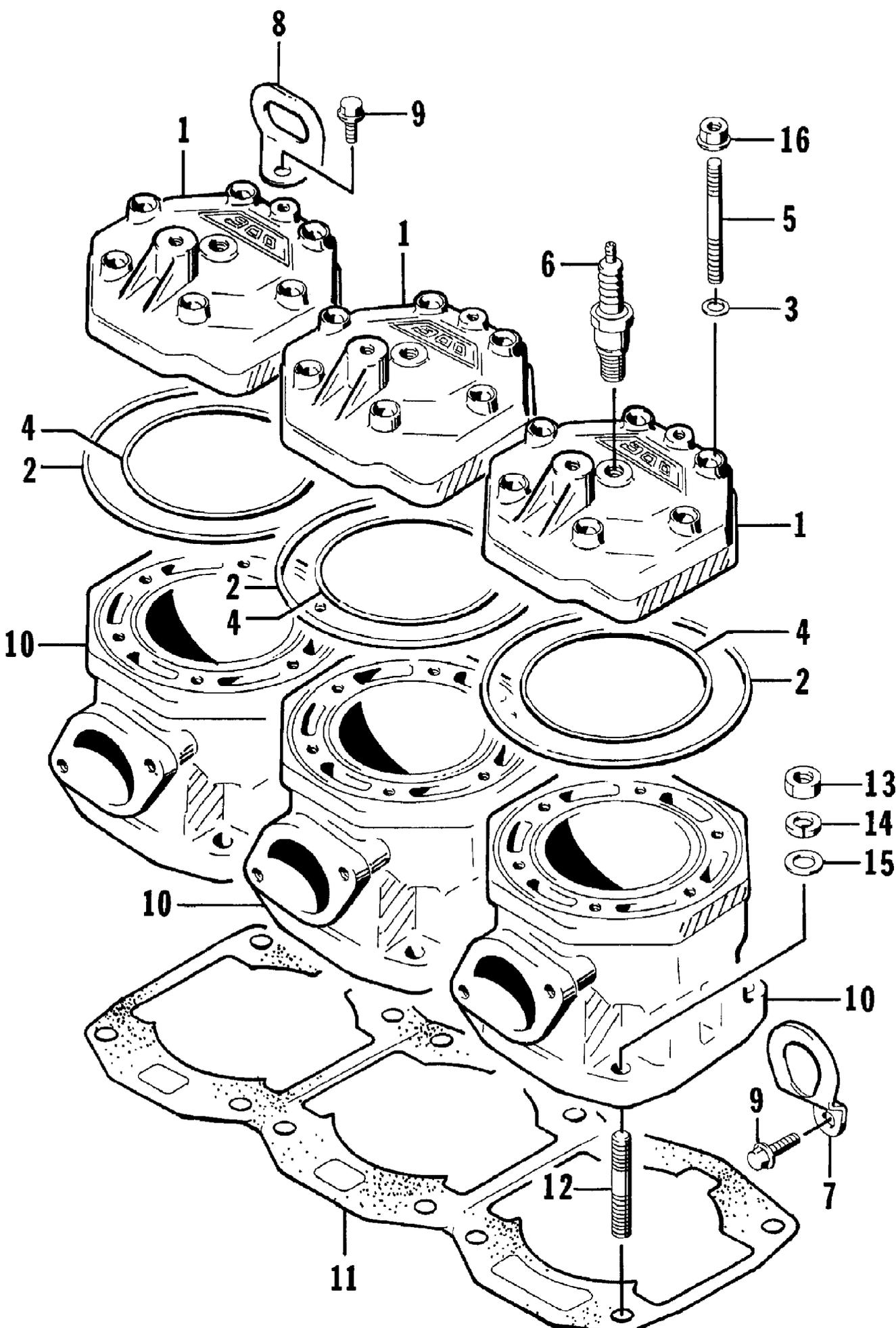
1999 TS 900 L (W1999TSLLAUS-1999)
CRANKSHAFT ASSEMBLY



1999 TS 900 L (W1999TSLLAUS-1999)
CRANKSHAFT ASSEMBLY

Page 9 of 65

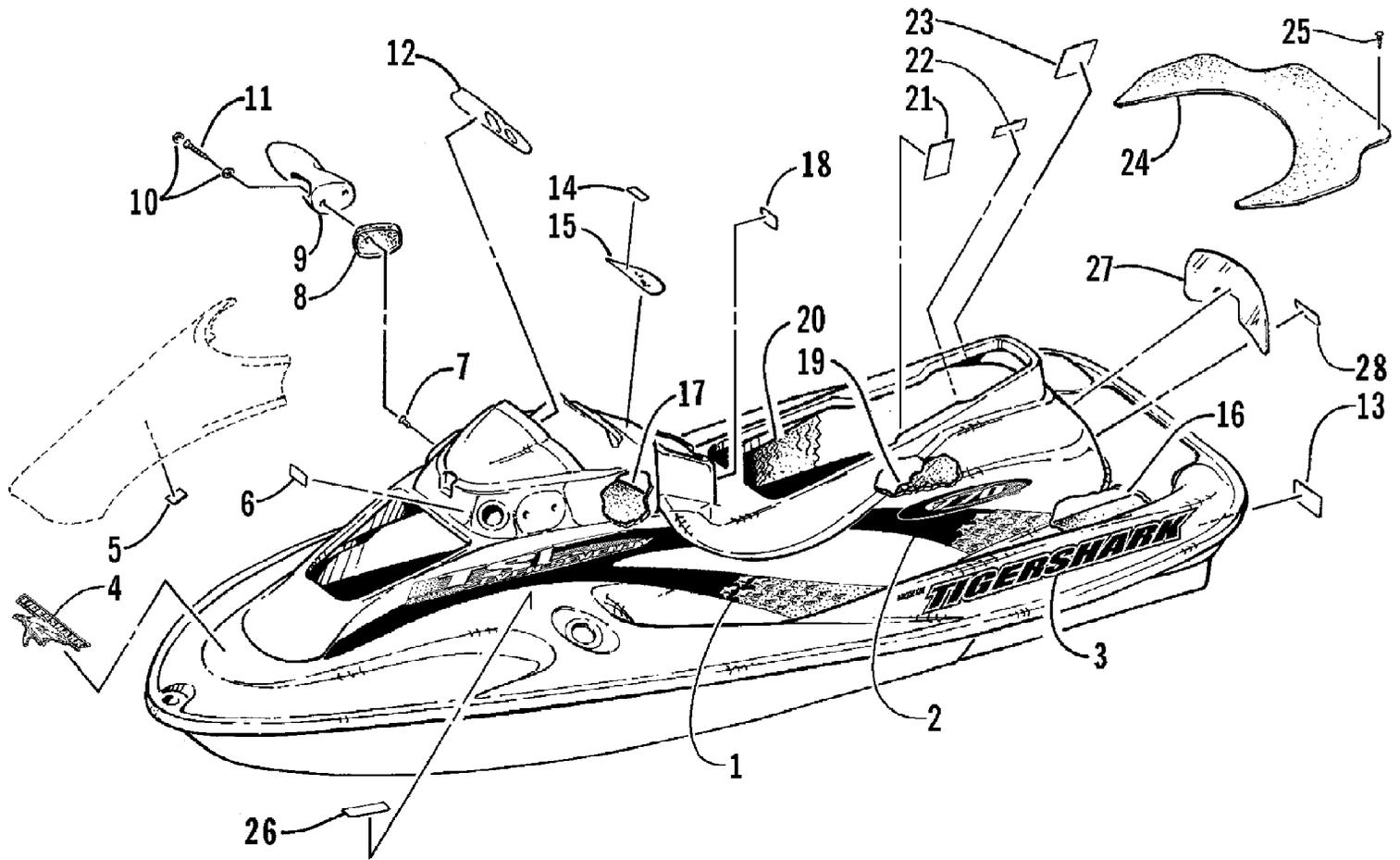
Ref #	Part Number	Qty	S/P/F	Description
1	3004-086	3	/P	Piston Assembly (inc. 2 and 6)
1	3004-936	3	S	Piston
2	3004-079	3		. Ring Set, Standard
3	3003-767	3		Pin, Piston
4	3004-063	6	S	Washer, Piston Pin
5	3003-433	3	/P	Bearing, Piston Pin
6	3003-439	6	/P	Circlip, Piston Pin
7	3008-405	1		Crankshaft Assembly (inc. 8-30)
8	3004-888	3	/P	. Connecting Rod
9	3004-700	2	/P	. Pin, Crank
10	3008-262	1		. Crankshaft - Right
11	3008-307	2	S	. Crankshaft - Middle
12	3004-755	2	S	. Crankshaft - Middle
13	3008-406	1		. Crankshaft - Left
14	3004-165	1		. Balancer, Crankshaft
15	3004-166	2	S	. Pipe, Crankshaft Joint
16	3004-167	4		. Race, Middle Crank Seal
17	3004-168	4		. Ring, Middle Crank Seal
18	3008-264	1		. Spacer, Crankshaft
19	3004-172	1	S	. Gear, Balancer Shaft Drive
20	3004-178	1		. Gear, Oil Pump Drive
21	3004-701	1		. Washer, Crank Pin
22	3004-204	1		. Washer, Crank Bearing
23	3004-148	1		. Washer, Crank Bearing
24	3004-150	1		. Bearing, Crankshaft
25	3004-151	1		. Bearing, Crankshaft
26	3004-152	5		. Bearing, Crankshaft
27	3004-702	3	S	. Bearing, Crank Pin
28	3004-372	3	S	. Screw, Crank Balancer
29	3004-703	5		. Washer, Crank Pin
30	3004-206	1	S	. Washer, Crank Bearing
31	3008-265	1		Shaft, Balancer - Assembly (inc. 32-36)
32	3004-173	1	S	. Gear, Balancer Shaft
33	3008-442	1	S	. Shaft, Water Pump
34	3004-505	3		. Bearing, Balancer Shaft
35	3004-504	1		. Bearing, Balancer Shaft
36	3004-540	3	/P	. Key, Balancer Shaft
37	3004-522	1	S	Seal, Crankshaft Oil - Right
38	3004-523	1	S	Seal, Crankshaft Oil - Left
39	3004-156	1		C-Ring, Balancer Shaft
40	3004-157	1		C-Ring, Crankshaft
41	3003-658	7	/P	Pin, Alignment



1999 TS 900 L (W1999TSLLAUS-1999)
CYLINDER ASSEMBLY

Page 11 of 65

Ref #	Part Number	Qty	S/P/F	Description
	0638-205	1		Complete Gasket Set
1	3008-404	3	/P	Head, Cylinder
2	3004-081	3		O-Ring, Outer
3	3003-227	18	/P	O-Ring
4	3004-080	3		O-Ring, Inner
5	3008-389	18	S	Stud, Cylinder
6	0217-700	3		Plug, Spark (BR9ES)
7	3008-255	1		Hook, Engine
8	3008-403	1	S	Hook, Engine
9	3008-390	2		Screw, Cap
10	3008-254	1		Cylinder
11	3004-753	1	S	Gasket, Cylinder
12	3008-300	12		Bolt, Stud
13	3008-209	12	/P	Nut
14	3008-207	12	/P	Washer, Lock
15	3008-237	12	S	Washer
16	3008-309	18	S	Nut



1999 TS 900 L (W1999TSLLAUS-1999)
DECAL AND FOOTPAD ASSEMBLY

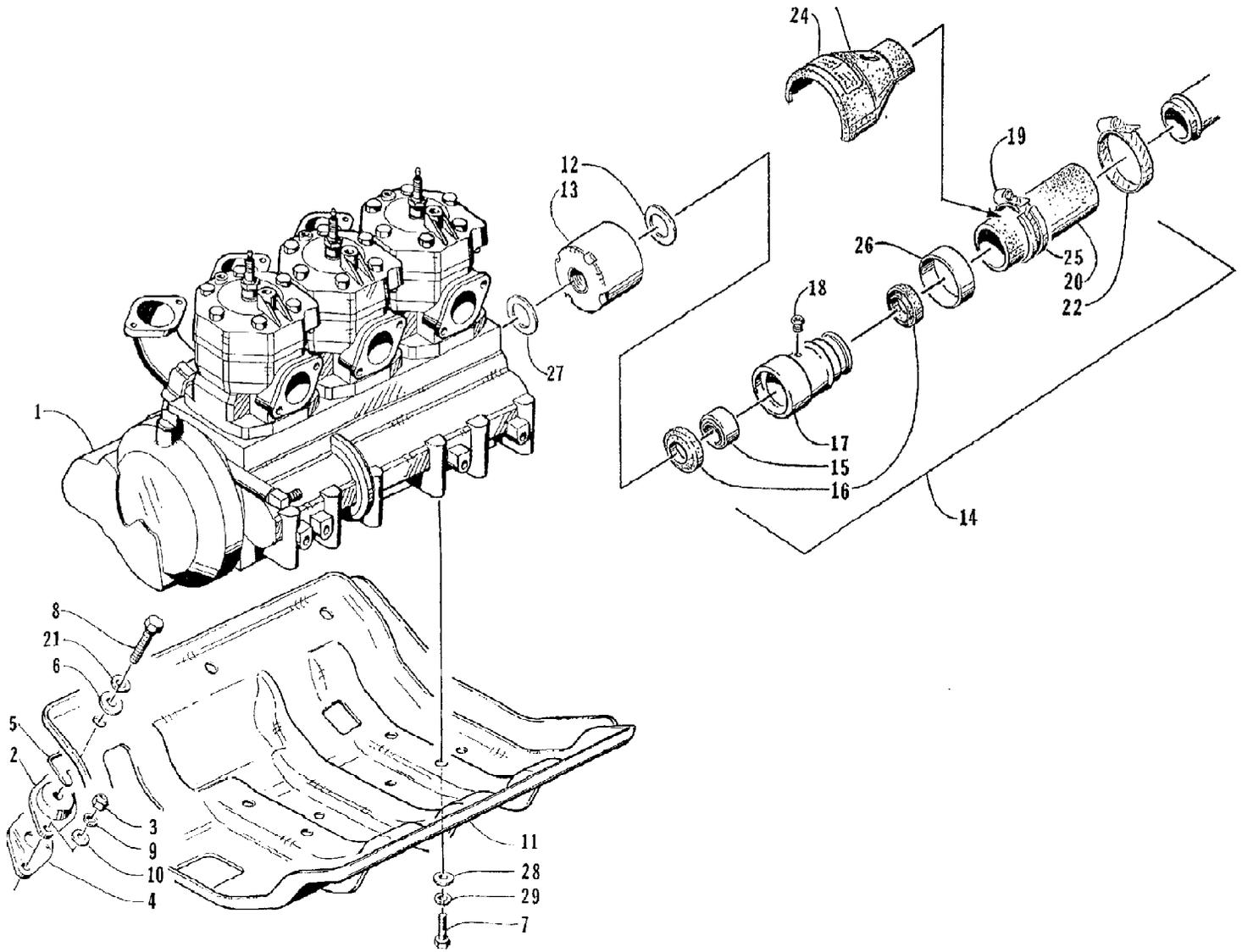
Page 13 of 65

Ref #	Part Number	Qty	S/P/F	Description
1	0614-544	1		Decal, Deck - Forward - Starboard (900)
1	0614-545	1		Decal, Deck - Forward - Port (900)
2	0614-546	1		Decal, Deck - Aft - Starboard (900)
2	0614-547	1		Decal, Deck - Aft - Port (900)
3	0614-548	1		Decal, Deck - "Tigershark" - Starboard (900)
3	0614-549	1		Decal, Deck - "Tigershark" - Port (900)
4	0614-560	1		Decal, Crest (900)
5	0614-431	2		Decal, Loading
6	0614-300	1		Decal, Oil
7	0623-737	4		Insert, Brass
8	1673-120	1		Gasket, Mirror Mounting - Starboard
8	1673-127	1		Gasket, Mirror Mounting - Port
9	1673-648	1	/P	Mirror Assembly - Starboard
9	1673-649	1	/P	Mirror Assembly - Port
10	0124-054	4	/P	Snap w/Washer
11	0624-187	4		Screw, Cap
12	0614-517	1		Decal, Instrument Panel
13	0614-154	1		Decal, Caution - Uprighting
14	0614-356	1		Decal, Warning "Lean Condition" (900)
15	0614-559	1		Decal, Console (900)
16	0617-262	2		Foam, Footwell
17	0617-284	1		Foam, Deck - Forward - Starboard
17	0617-285	1		Foam, Deck - Forward - Port
18	1611-866	1		Warning - Leaking Fuel
19	0617-281	1		Foam, Deck - Aft - Port
20	0617-292	1		Foam, Deck - Aft - Starboard
22	0614-059	1		Decal, Common Sense
23	0614-067	1		Decal, USCG Exemption
24	1673-419	1		Pad, Foot - Rear
25	0623-725	20	/P	Clip, Retainer
26	0614-299	1		Decal, Warning - Fuel (900)
27	0614-350	1		Decal, Regulation
28	0614-358	1		Decal, Patent

1999 TS 900 L (W1999TSLLAUS-1999)
ELECTRICAL MODULE AND BATTERY

Page 15 of 65

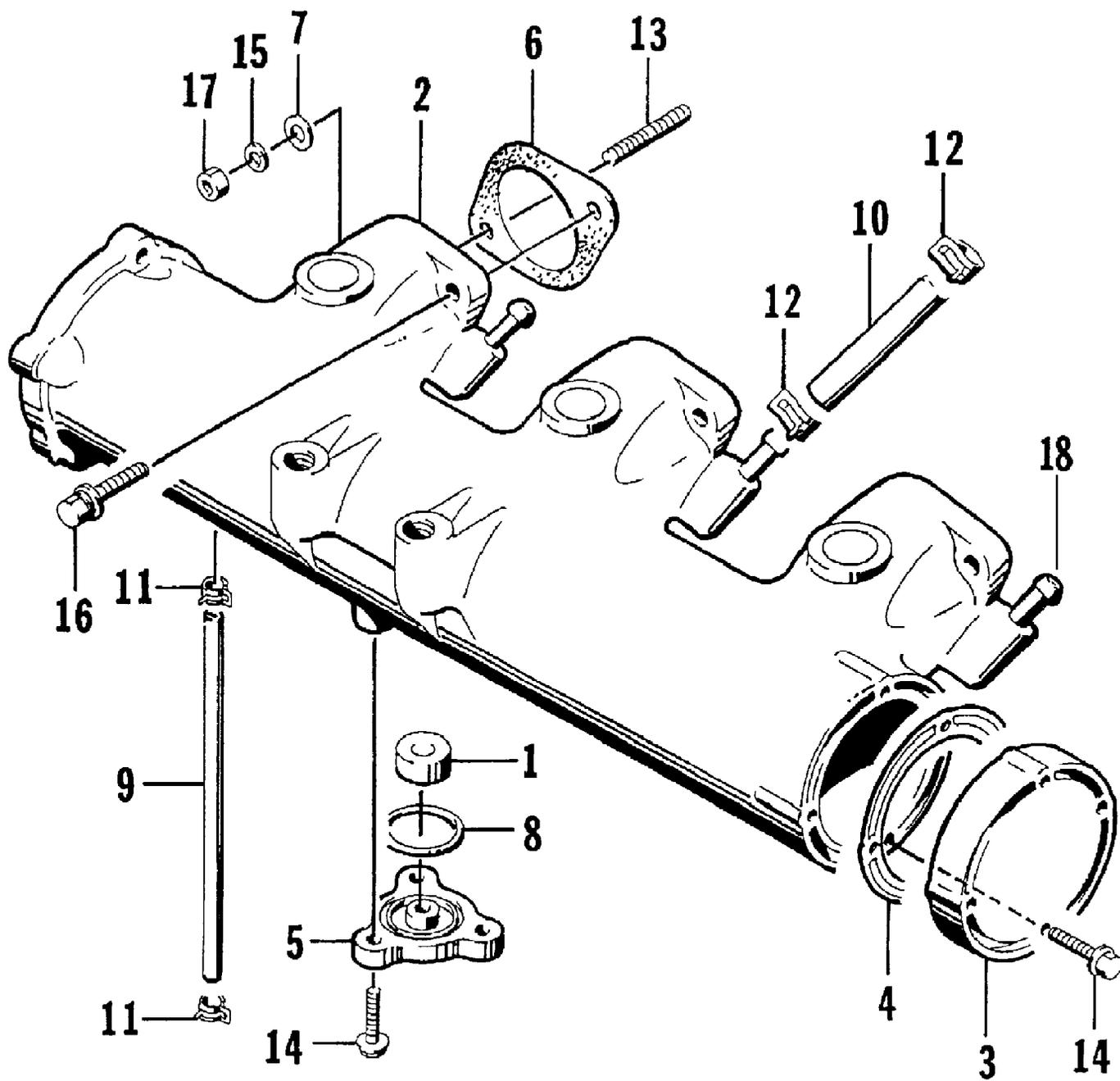
Ref #	Part Number	Qty	S/P/F	Description
1	3008-279	1	/P	Regulator Assembly (inc. 2)
2	3008-318	2	S	. Screw, Regulator
3	3008-337	2		Washer, Regulator
4	3008-572	1	/P	Unit, CDI (900)
5	3008-319	10		Screw
6	3008-465	1		Case
7	3008-283	1	/P	Cover, Electrical
8	3008-284	1	/P	Cover, Connector Case
9	3008-285	1	/P	Packing
10	0673-755	1		Vent, Thru Hull - w/Hood
11	3008-124	2		Holder
12	3008-125	1		Holder
13	3008-477	4		Screw
14	3008-217	1		Screw
15	3008-330	1	S/P	Sensor Assembly (inc. 16)
16	3008-134	1		. Supporter
17	3008-219	2		Screw, Machine
18	3008-040	1		Clamp
19	1673-310	1	S	Pad, Battery
20	3008-336	1	/P	Base, Regulator
21	0624-089	4		Nut, Lock (900)
22	0624-022	4		Washer
23	0670-295	1		Valve, Check
24	0623-502	1		Clamp, Hose
25	0610-008	1	/P	Hose, Battery Vent
26	0673-454	1		Cover, Battery (900)
27	0773-382	3	/P	Tiedown
28	0645-045	6		Cap, Battery
29	0645-232	1	S	Battery (inc. 28)
30	0624-323	1		Clamp, Hose - Battery
31	0623-063	1		Clamp, Hose



1999 TS 900 L (W1999TSLLAUS-1999)
ENGINE AND RELATED ASSEMBLY

Page 17 of 65

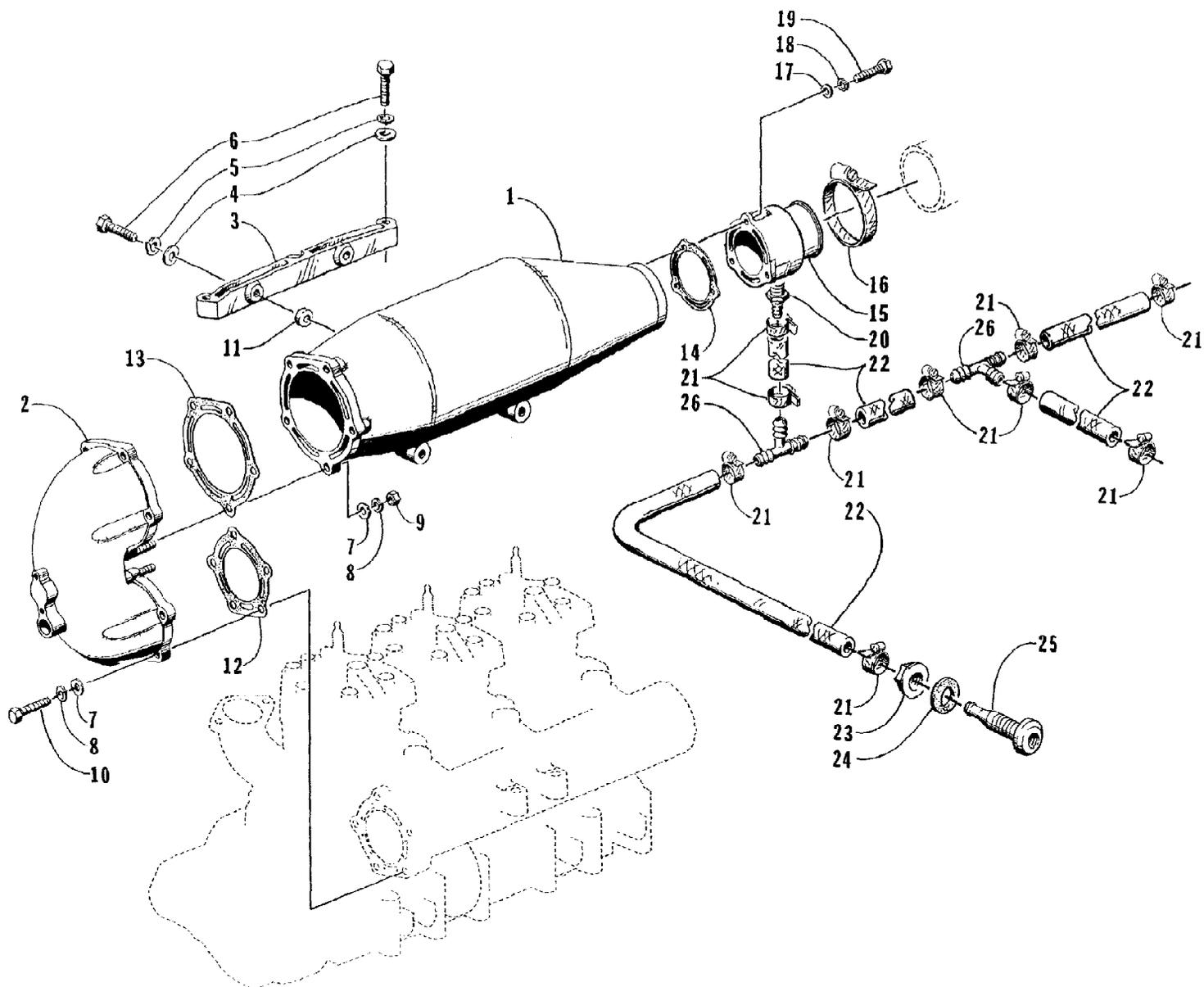
Ref #	Part Number	Qty	S/P/F	Description
1	0662-173	1		Engine, 900 L/C
2	0608-174	6		Damper, Engine
3	0624-149	12		Nut
4	0673-508	0	/P	Shim, Engine Mount - 0.125 in.
4	0673-509	0		Shim, Engine Mount - 0.063 in.
5	0624-014	0	/P	Shim - 0.5 mm
5	0624-015	0	/P	Shim - 1.5 mm
6	0624-406	6		Washer
7	0624-416	4		Screw, Cap
8	0624-421	6		Screw, Cap
9	0624-465	12		Washer, Lock
10	0624-028	12		Washer
11	0608-271	1	/P	Plate, Engine Mount
12	0624-447	1		Washer
13	0675-174	1		Coupler, Engine
14	0775-114	1		Housing, Seal - Assembly (inc. 15-18, 20, and 26)
15	0675-161	2		. Bearing
16	0675-266	2	/P	. Seal, Dirveshaft
17	0675-162	1		. Housing/Bearing - Floating
18	0624-341	2		. Fitting, Grease
19	0624-037	1		Clamp, Hose
20	0710-214	1		Hose, Coupler
21	0624-012	6		Washer, Lock
22	0624-390	2		Clamp, Hose
23	0775-104	1	S	Guard, Coupler - Assembly (inc. 24)
24	0614-429	1		. Decal, Warning
25	0775-099	1		Isolator
26	1673-476	1		Clamp, Shrink
27	0624-448	1		Washer
28	0624-282	4		Washer
29	0624-281	4		Washer, Lock



1999 TS 900 L (W1999TSLLAUS-1999)
EXHAUST MANIFOLD ASSEMBLY

Page 19 of 65

Ref #	Part Number	Qty	S/P/F	Description
1	3008-047	1		Zinc, Protection
2	3008-444	1	/P	Manifold, Exhaust - Assembly
3	3008-268	1		Cover, Exhaust Manifold
4	3008-269	1	S	Gasket, Exhaust Manifold Cover
5	3008-270	1	S	Cover, Protection Zinc
6	3008-407	3	/P	Gasket, Exhaust Manifold
7	3008-312	6		Washer
8	3008-250	1		O-Ring, Protection Zinc Cover
9	3008-251	1		Hose, Drain
10	3008-445	3		Hose, Cooling
11	3008-037	2	/P	Clip, Drain Hose
12	3008-366	6		Clip, Cooling Hose
13	3008-391	6		Bolt, Stud
14	3008-213	7	/P	Screw, Cap
15	3008-392	6		Washer, Lock
16	3008-311	3		Screw, Cap
17	3004-478	6	S	Nut
18	3008-364	3		Fitting



1999 TS 900 L (W1999TSLLAUS-1999)
EXPANSION CHAMBER ASSEMBLY

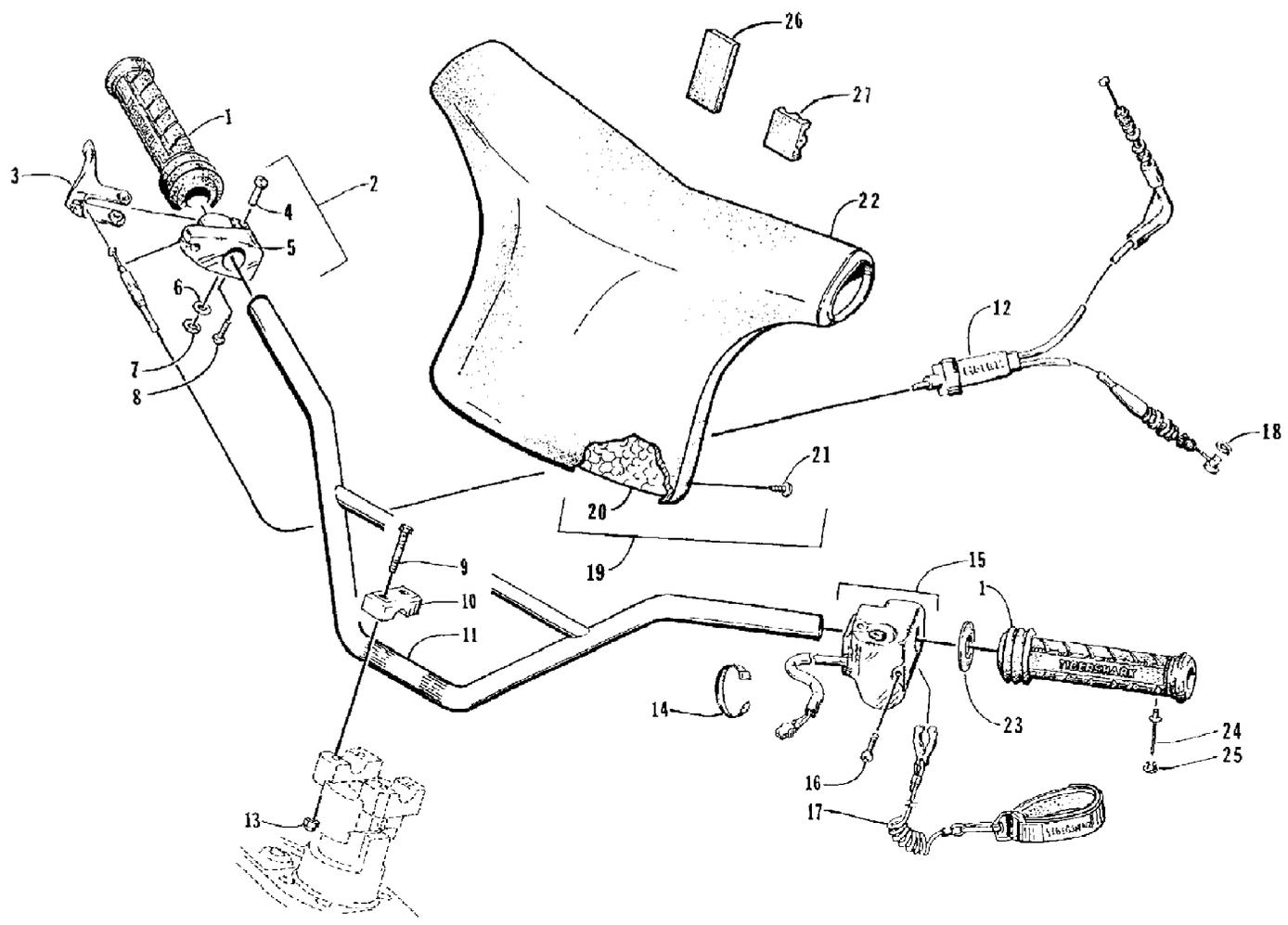
Page 21 of 65

Ref #	Part Number	Qty	S/P/F	Description
1	0612-802	1	/P	Chamber, Expansion
2	0612-801	1	S	Pipe, Head
3	0612-804	1	S	Bracket, Expansion Chamber
4	0624-008	5		Washer
5	0624-012	5		Washer, Lock
6	0624-238	5		Screw, Cap
7	0624-028	10		Washer
8	0624-027	10		Washer, Lock
9	0624-149	2		Nut
10	0624-313	8	/P	Screw, Cap
11	0624-378	2		Spacer
12	0612-460	1		Gasket, Manifold
13	0612-461	1		Gasket, Expansion Chamber
14	0612-627	1		Gasket, Tailpipe
15	0612-803	1	S	Pipe, Tail
16	0624-037	1		Clamp, Hose
17	0624-022	3		Washer
18	0624-036	3		Washer, Lock
19	0624-314	3		Screw, Cap
20	1673-164	1		Fitting, Brass
21	0624-016	10		Clamp, Hose
22	0610-268	0		Hose, Water - 25 ft
23	0623-753	1	/P	Nut, Flange
24	0612-456	1		Seal, Bilge Outlet
25	0673-374	1		Outlet, Water
26	0673-136	2		Fitting, Tee

1999 TS 900 L (W1999TSLLAUS-1999)
FUEL TANK ASSEMBLY

Page 23 of 65

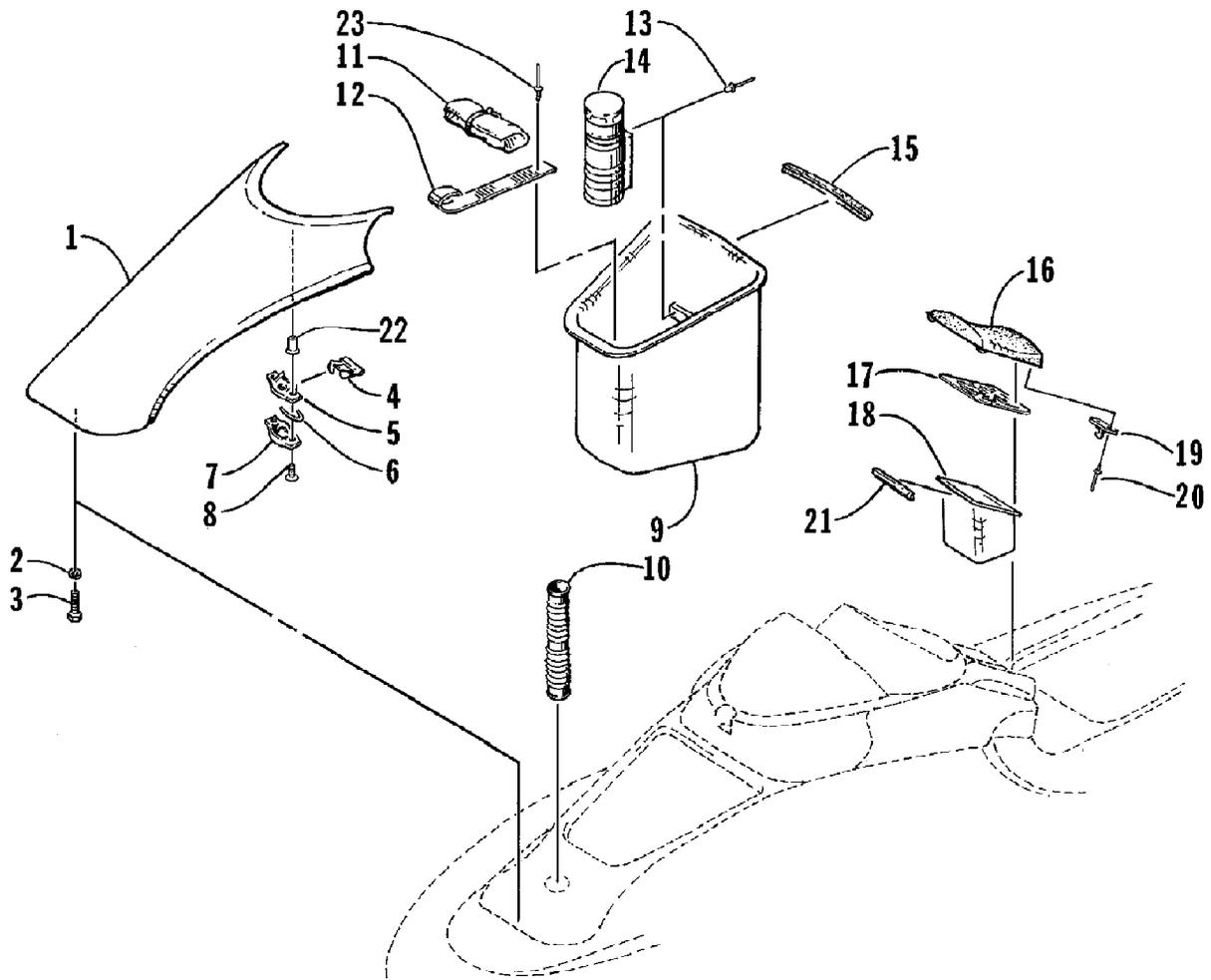
Ref #	Part Number	Qty	S/P/F	Description
1	0770-331	1		Tank, Fuel - Assembly (inc. 2, 11,16, and 20) (900)
2	1673-584	1		Foam, Fuel Tank
3	0624-390	2		Clamp, Hose
4	0670-398	1	S/P	Cap, Filler Neck
5	0670-428	1	S	Neck, Filler
6	0670-688	1		Seal, Filler Neck
7	0670-548	1		Nut, Filler Neck
8	0624-120	15		Clamp, Hose (900)
9	0710-425	0	/P	Hose, Fuel - 25 ft
10	0624-312	5		Screw, Machine
11	1673-055	1		Tube, Drop
13	0670-474	1		Gasket, Fuel Sensor
15	0624-090	4		Nut, Lock (900)
16	0670-762	2		Fitting, Outlet (900)
17	0710-245	1		Hose, Filler (900)
18	0510-335	2	/P	Filter, Fuel
19	0624-125	8	/P	Washer
20	0115-607	1	S	Fitting, Elbow
21	0109-332	1		Fitting, Tee
22	0123-788	2	/P	Tie, Cable
23	0610-059	2		Valve, Check
24	0673-755	1		Vent, Fuel
25	0623-063	1		Clamp, Hose
31	1673-327	4		Spacer, Fuel Tank
32	0620-180	1		Sender, Fuel Level
33	0670-689	1	S	Gasket



1999 TS 900 L (W1999TSLLAUS-1999)
HANDLEBAR ASSEMBLY

Page 25 of 65

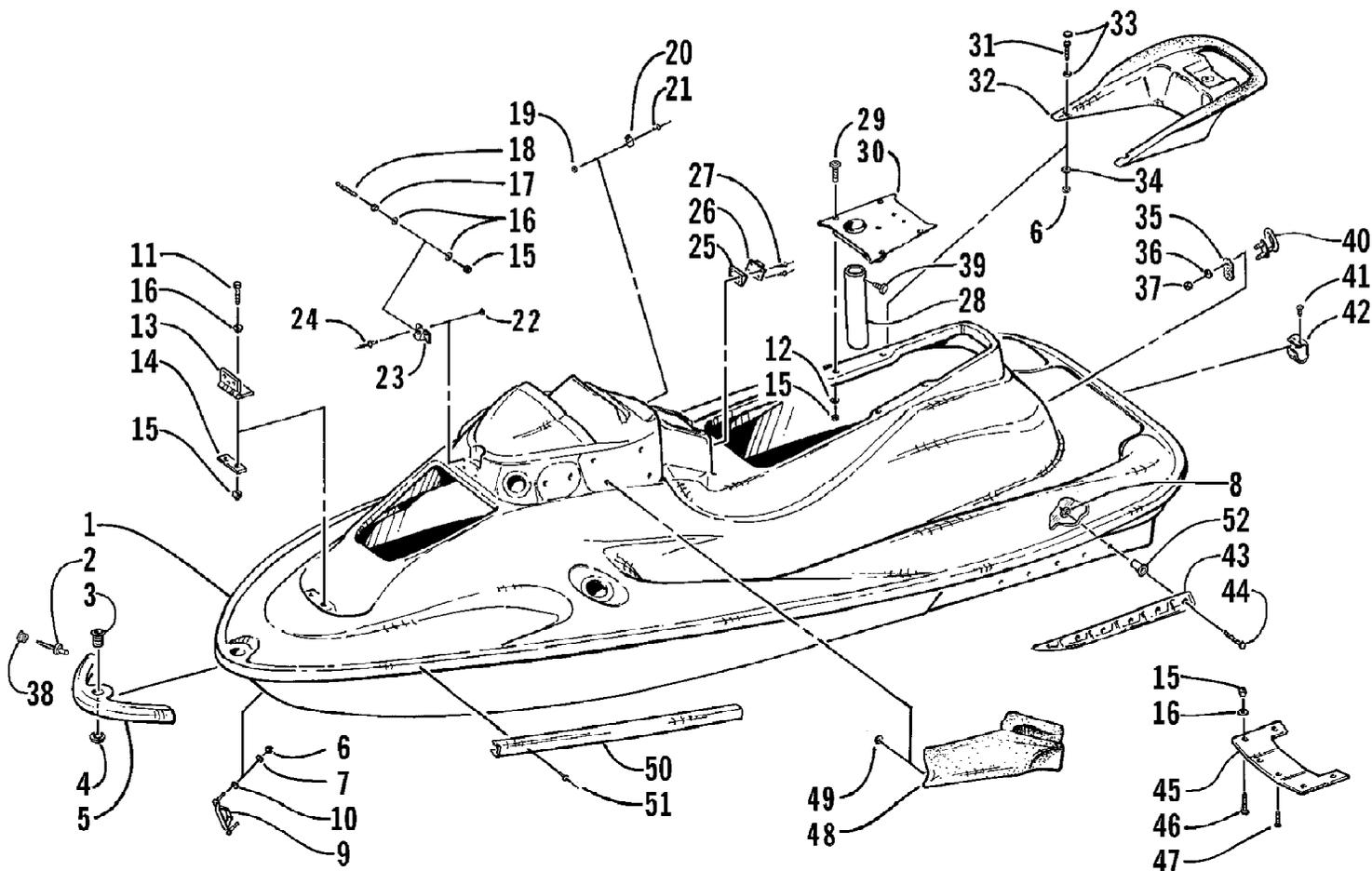
Ref #	Part Number	Qty	S/P/F	Description
1	0673-990	2	S	Grip, Handlebar
2	0773-018	1		Throttle, Assembly (inc. 3-8)
3	0605-234	1		. Lever, Throttle
4	0605-236	1		. Pin, Throttle Lever
5	0605-235	1		. Housing, Throttle
6	0624-099	1		. Washer
7	0624-113	2		. C-Clip
8	0624-091	1		. Screw, Machine
9	0624-278	4		Screw, Cap
10	0673-282	2		Cap, Steering Adjuster
11	0773-608	1		Handlebar
12	0687-102	1	/P	Cable, Throttle (900)
13	0624-250	4		Nut, Lock
14	0123-788	0	/P	Tie, Cable
15	0609-284	1		Switch, Start/Trim/Bilge (inc. 16)
16	0	3	F	. Screw, Machine
17	0609-427	1	S	Cord, Tether
18	0624-104	1		C-Clip
19	0773-860	1		Handlebar Pad - Assembly (inc. 20-22)
20	1673-445	1		. Pad, Handlebar
21	0624-350	6	S	. Screw, Cap
22	0	1	F	. Cover, Handlebar Pad
23	1673-095	1		Washer, Rubber - Handlebar
24	0624-216	2		Rivet
25	1673-111	2		Plug
26	1673-624	1		Pad, Foam
27	0617-296	1		Spacer, Handlebar Pad



1999 TS 900 L (W1999TSLLAUS-1999)
HATCH COVER AND STORAGE TRAY

Page 27 of 65

Ref #	Part Number	Qty	S/P/F	Description
1	1673-670	1	/P	Cover, Hatch
2	0624-115	5		Washer, Lock
3	0624-432	5		Screw, Self-Tapping
4	1673-459	1		Lever, Hatch Latch
5	1673-461	1		Housing, Hatch Latch - Upper
6	1673-465	1		Spring, Hatch Latch
7	1673-462	1		Housing, Hatch Latch - Lower
8	0624-138	2		Screw, Machine
9	1673-566	1	/P	Tray, Storage
10	0610-340	2		Hose, Air Intake
11	0678-399	1		Kit, Tool
12	0773-217	1		Tiedown, Tool Kit
13	0623-685	4		Rivet
14	1673-046	1		Tube, Fire Extinguisher
15	1673-567	1	/P	Seal, Hatch
16	1673-561	1		Cover, Glove Box
17	1673-576	1		Net, Cargo
18	1673-482	1		Box, Glove
19	1673-516	1		Strike, Latch - Glove Box
20	8060-230	2		Rivet
21	1673-494	1		Seal, Glove Box
22	0123-010	2	/P	Nut, Expansion
23	0773-973	1		Rivet



1999 TS 900 L (W1999TSLLAUS-1999)
HULL AND RELATED PARTS ASSEMBLY

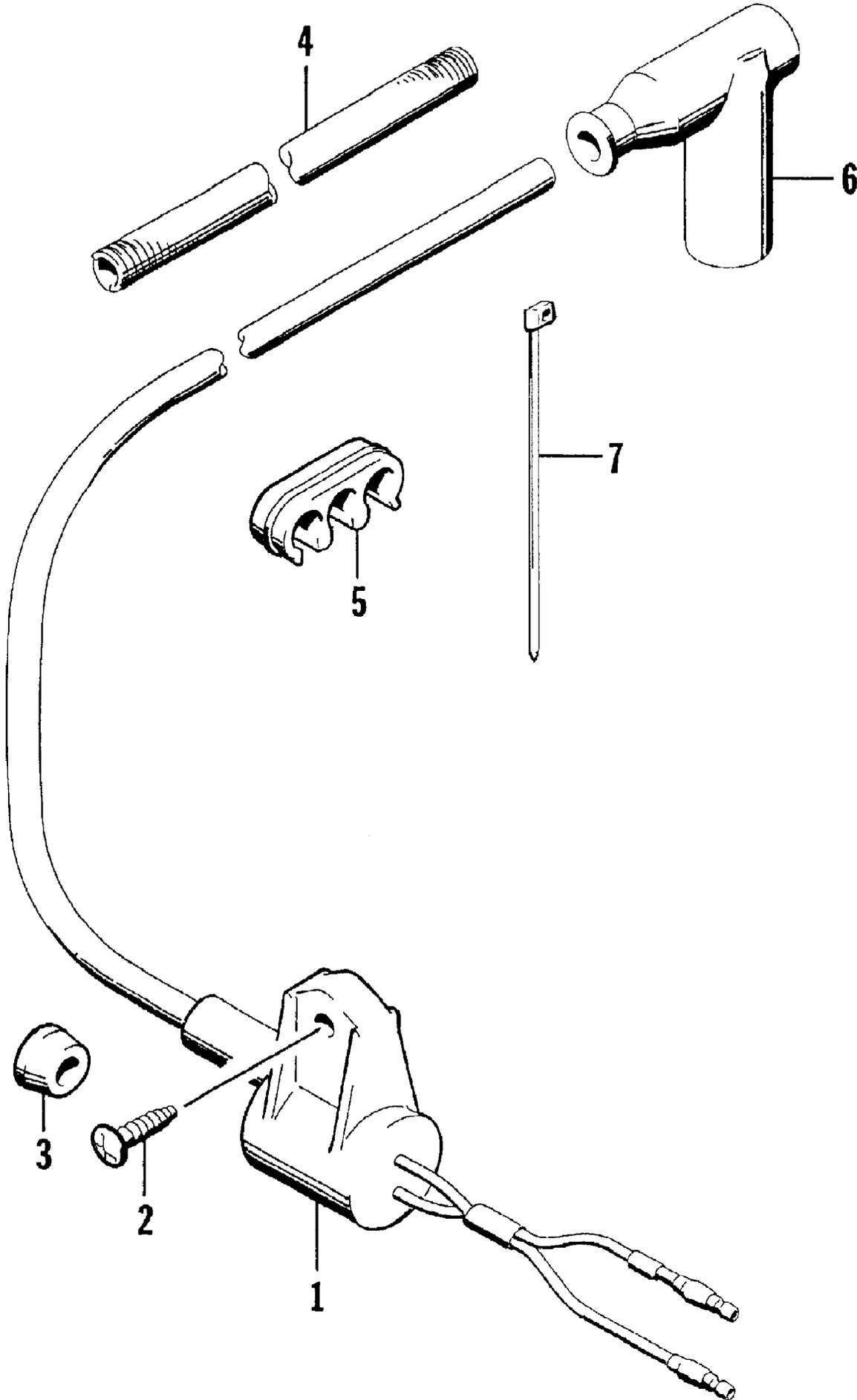
Page 29 of 65

Ref #	Part Number	Qty	S/P/F	Description
1	0773-985	1		Hull/Deck - Assembly (900)
2	0623-636	2		Rivet
3	1673-479	1		Boweye
4	0623-753	1	/P	Nut
5	0773-974	1		Nose, Cone
6	0624-089	6		Nut, Lock
7	0624-247	2		Washer
8	0624-293	10		Washer, Backup
9	0773-516	1	/P	Boweye
10	0624-299	2		Washer, Sealing
11	0624-112	2	/P	Screw, Cap
12	0624-022	4		Washer
13	1673-032	1		Hinge, Hatch Assembly
14	1673-031	1		Plate, Hinge
15	0624-250	11		Nut, Lock
16	0624-182	8		Washer
17	0624-059	1		Nut
18	1673-467	1		Stud, Strike
19	0623-603	2		Washer
20	1673-578	1		Receiver, Glove Box Lid - Starboard
20	1673-579	1		Receiver, Glove Box Lid - Port
21	8060-633	2	/P	Rivet
22	0624-004	4		Washer
23	1673-483	1		Strike, Hatch Cover
24	0624-072	4		Rivet
25	1673-609	1		Wedge, Latch
26	1673-592	1		Latch, Glove Box Lid
27	0623-763	4		Rivet
28	0610-369	1		Hose, Air Exhaust (900)
29	0624-184	4		Screw, Machine
30	1673-480	1		Bridge, Seat
31	0624-187	4		Screw, Machine
32	1673-417	1		Handle, Grab
33	0124-054	4	/P	Snap Cap w/Washer
34	0624-228	4		Washer
35	1673-083	1		Gasket, Eyehook
36	0624-159	2		Washer
37	0624-258	2		Nut
38	1673-687	2		Plug
39	0623-585	3		Clip, Christmas Tree
40	0624-484	1		Eyehook
41	0623-725	2	/P	Clip, Retainer - Black
42	0673-975	1	/P	Cover, Rub Rail
43	0673-996	1		Sponson - Starboard
43	0673-997	1		Sponson - Port
44	0624-271	10		Screw, Cap
45	0675-179	1		Plate, Ride
46	0624-186	4		Screw, Machine
47	0624-184	2		Screw, Machine
48	1673-562	1		Pad, Knee - Starboard
48	1673-563	1		Pad, Knee - Port
49	0624-466	18		Clip, Retaining
50	1673-524	1		Clip, Retaining

1999 TS 900 L (W1999TSLLAUS-1999)
HULL AND RELATED PARTS ASSEMBLY

Ref #	Part Number	Qty	S/P/F	Description
50	1673-525	1		Trim, Rub Rail - Port
51	0624-068	48		Rivet
52	0623-737	10		Insert, Brass

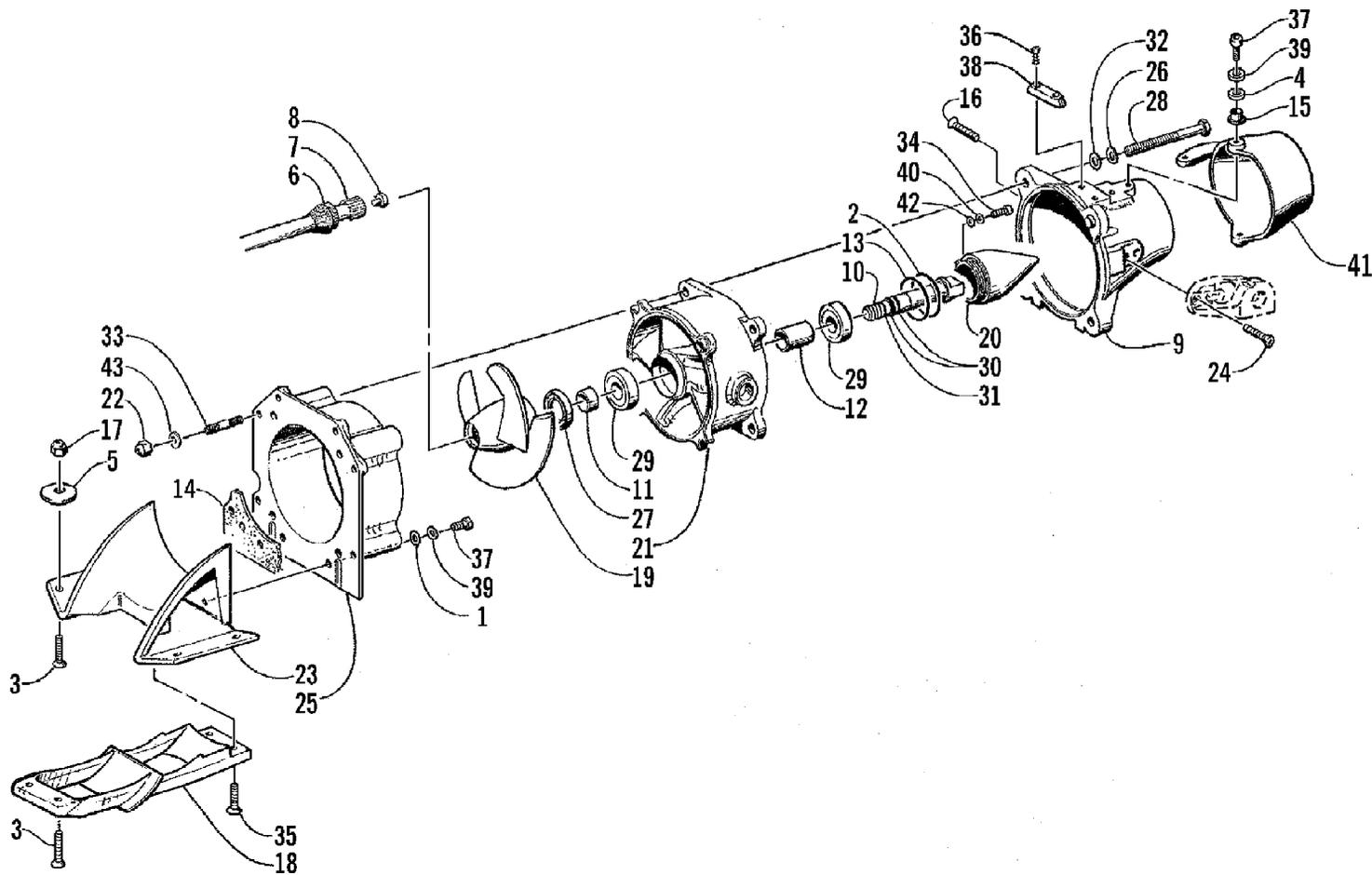
1999 TS 900 L (W1999TSLLAUS-1999)
IGNITION COIL



1999 TS 900 L (W1999TSLLAUS-1999)
IGNITION COIL

Page 32 of 65

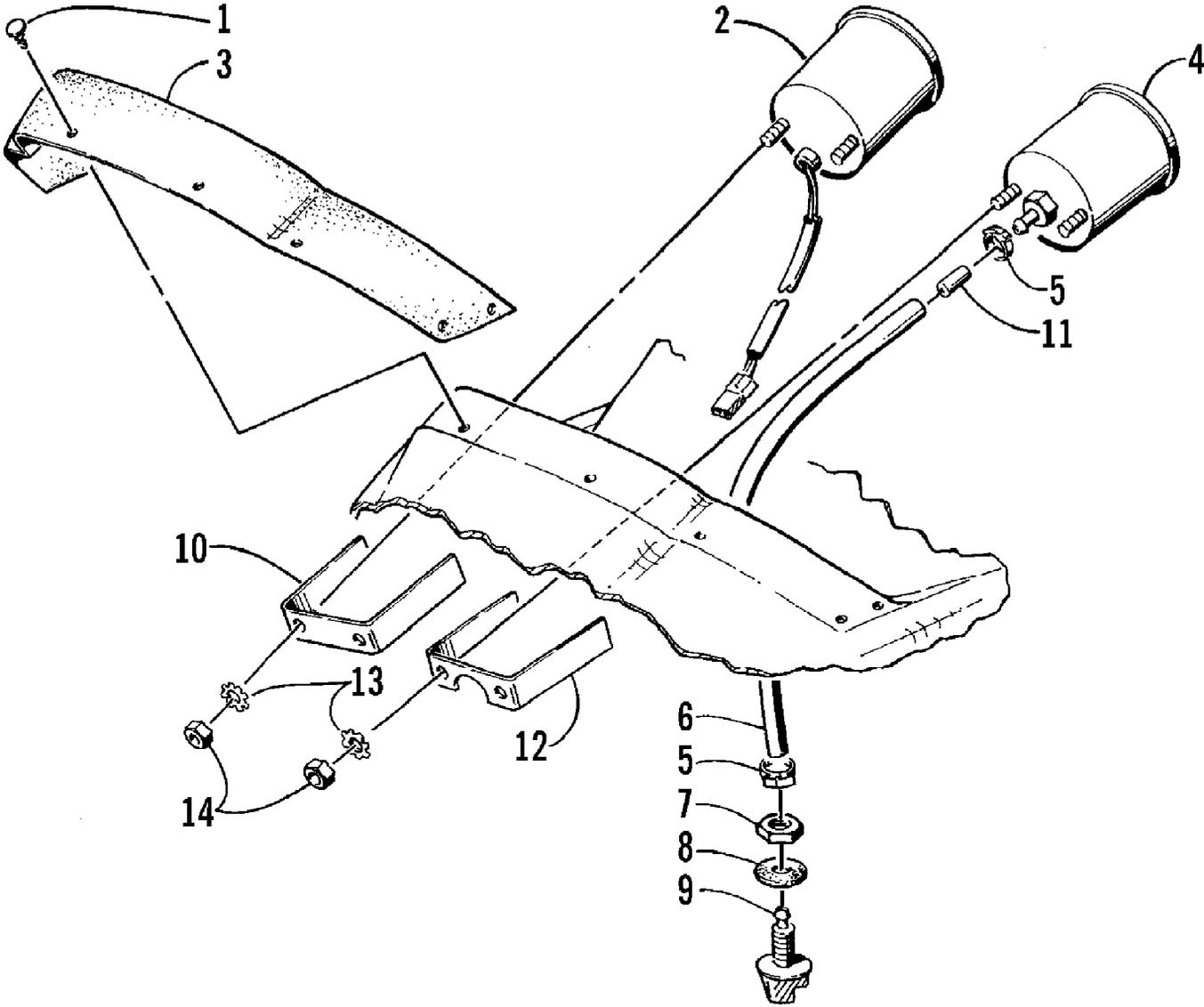
Ref #	Part Number	Qty	S/P/F	Description
1	3008-286	3	S	Coil Assembly, Ignition
2	3008-321	3		Screw
3	3008-334	3	/P	Grommet
4	3008-129	3	/P	Protector, Lead Wire
5	3008-252	1		Clip
6	3003-737	3	S	Cap Assembly, Spark Plug
7	3003-787	3		Tie, Cable



1999 TS 900 L (W1999TSLLAUS-1999)
 IMPELLER DRIVE ASSEMBLY

Page 34 of 65

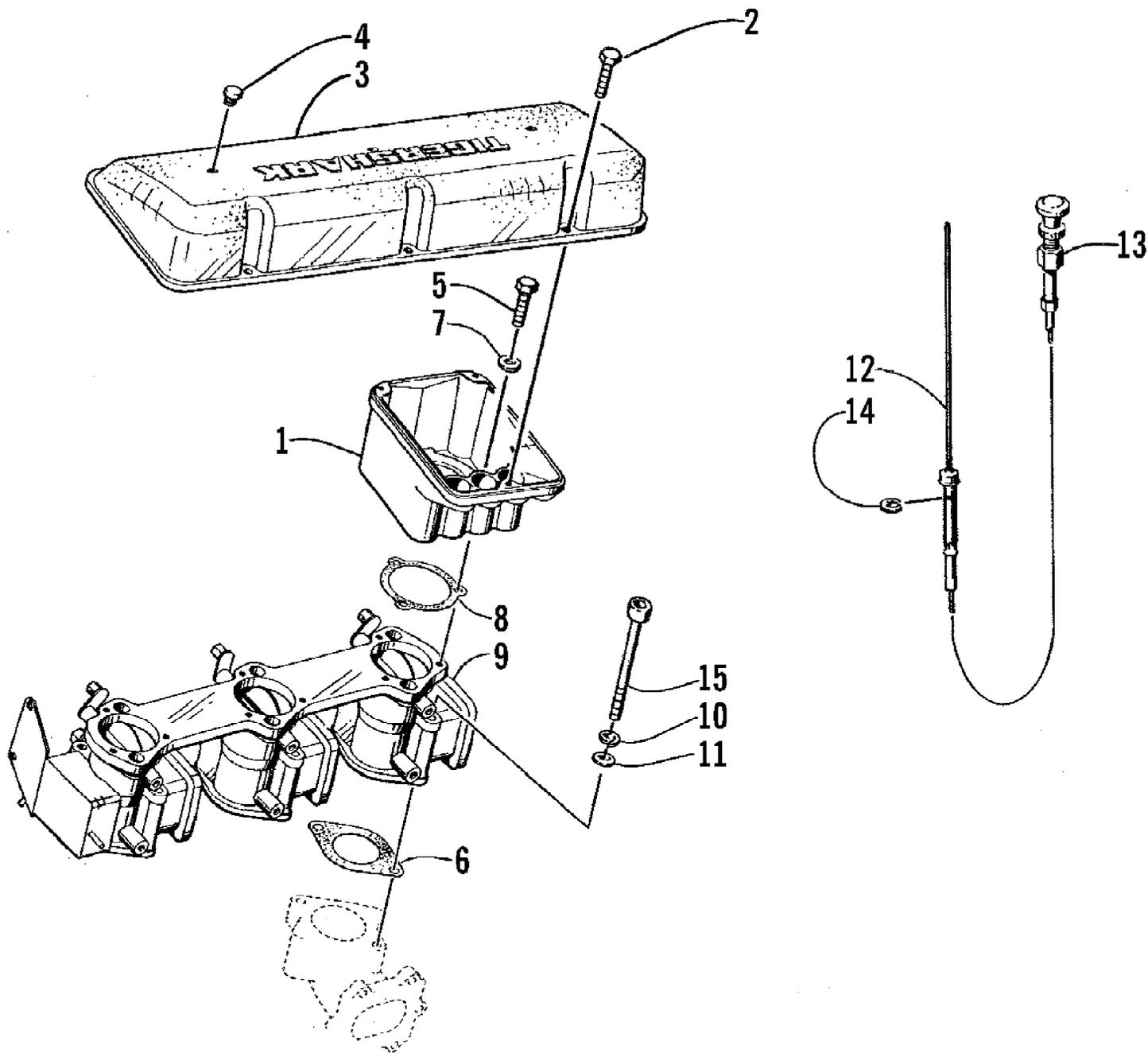
Ref #	Part Number	Qty	S/P/F	Description
1	0624-028	8		Washer
2	0675-078	1		O-Ring
3	0624-186	6		Screw, Machine
4	0624-125	2	/P	Washer
5	0624-182	4		Washer
6	0675-187	1		Grommet, Seal
7	0675-205	1		Driveshaft (900)
8	0673-618	2	/P	Bumper, Driveshaft
9	0675-254	1		Venturi (900)
10	0675-163	1	S	Shaft, Rear - Impeller
11	0675-085	1		Spacer, Impeller
12	0675-084	1		Spacer, Bearing
13	0675-273	1		O-Ring
14	0675-230	1		Gasket, Pump
15	0624-392	2		Spacer
16	0624-272	1		Screw, Machine
17	0624-250	4		Nut, Lock
18	0675-239	1		Grate, Inlet
19	0675-142	1		Impeller (900)
20	0675-146	1		Endcap, Stator (900)
21	0675-224	1	/P	Stator (900)
22	0624-090	6		Nut, Lock
23	0675-199	1		Ramp, Inlet
24	0624-273	3		Screw, Machine
25	0775-069	1	/P	Ring, Wear
26	0624-012	4		Washer, Lock
27	0675-119	1	S	Seal
28	0624-386	4		Screw, Cap
29	0673-609	2		Bearing, Stator
30	0673-608	2		O-Ring
31	0673-607	1		O-Ring
32	0624-008	4		Washer
33	0624-319	6		Stud
34	0624-314	2		Screw, Cap
35	0624-183	2		Screw, Machine
36	0624-184	2		Screw, Machine
37	0624-026	4		Screw, Cap
38	0624-084	1		Anode, Zinc
39	0624-027	4		Washer, Lock
40	0624-036	2		Washer, Lock
41	0675-257	1		Nozzle, Steering
42	0624-022	2		Washer
43	0624-125	6	/P	Washer



1999 TS 900 L (W1999TSLLAUS-1999)
INSTRUMENT ASSEMBLY

Page 36 of 65

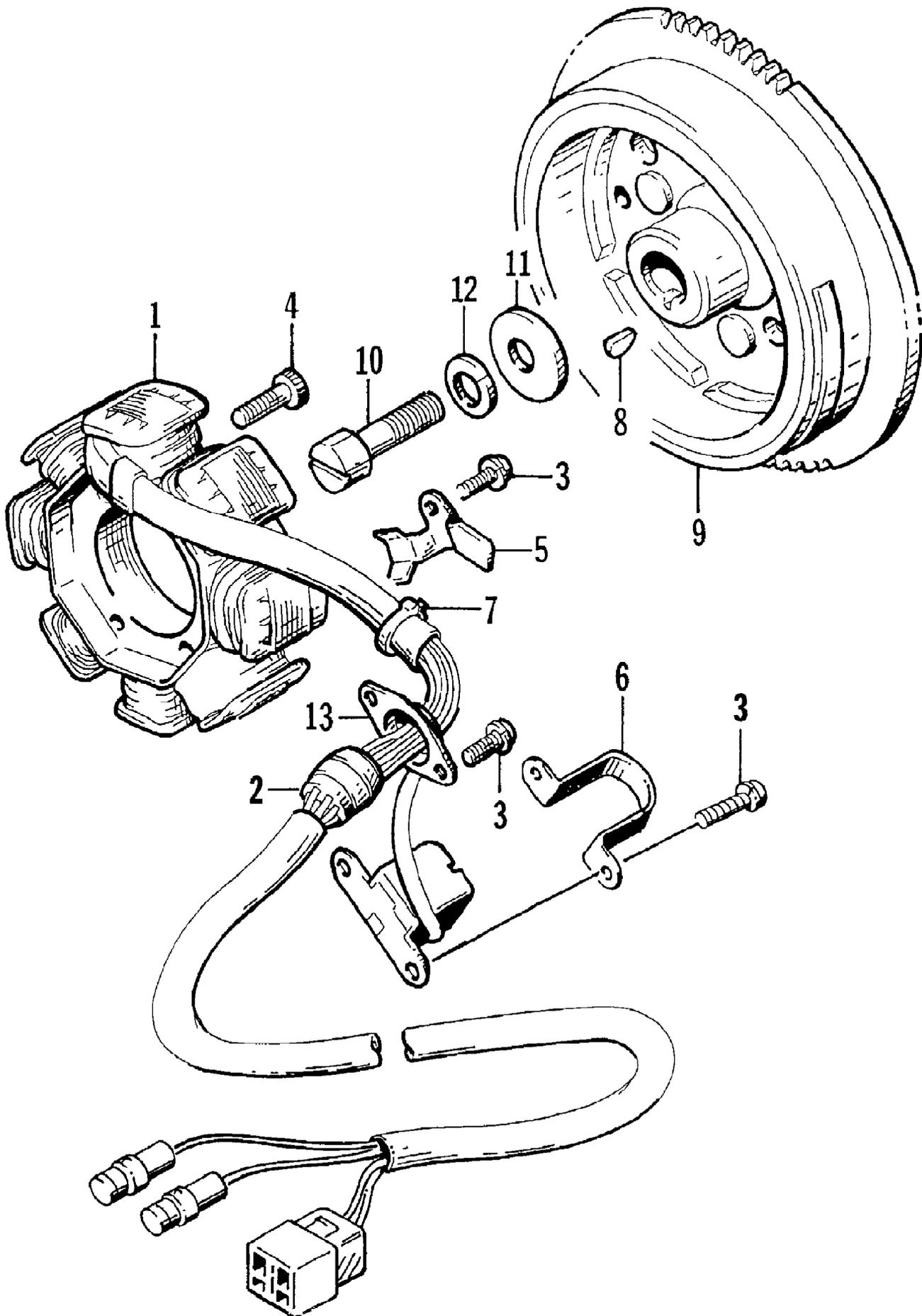
Ref #	Part Number	Qty	S/P/F	Description
1	0623-725	8	/P	Clip, Retaining
2	0620-227	1		Gauge, Fuel
3	1673-647	1	/P	Visor
4	0620-231	1		Speedometer
5	0123-811	2		Clamp
6	0673-809	0	/P	Hose
7	0673-348	1		Nut, Pitot
8	0673-349	1		Seal, Pitot
9	0673-362	1	S	Pitot (900)
10	0620-201	1		Backclamp, Fuel Gauge
11	1673-427	1	/P	Fitting, Restrictor - Speedometer
12	0620-199	1		Backclamp, Speedometer
13	0623-702	4		Washer, Star
14	0623-701	4		Nut



1999 TS 900 L (W1999TSLLAUS-1999)
INTAKE ASSEMBLY

Page 38 of 65

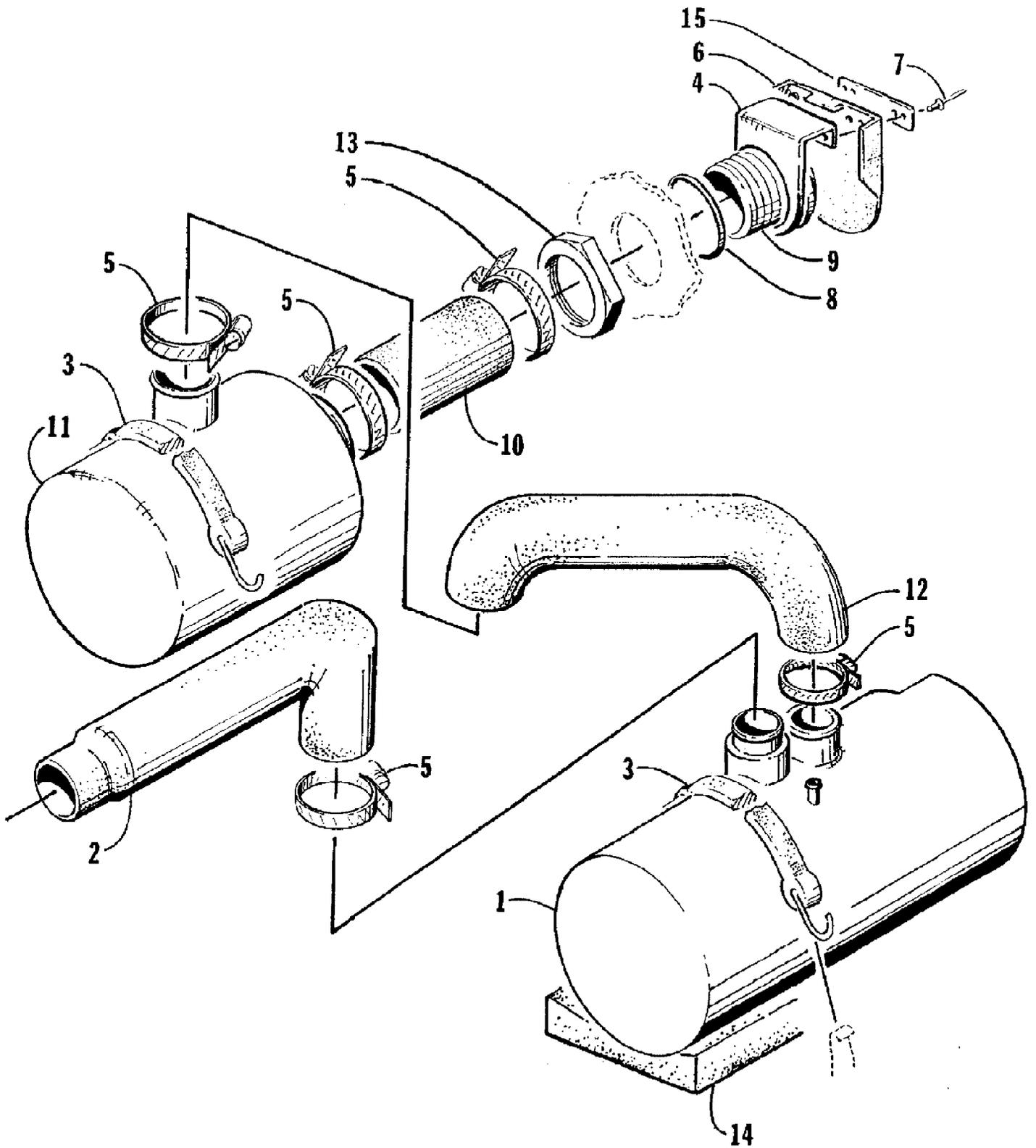
Ref #	Part Number	Qty	S/P/F	Description
1	1673-375	3		Base, Sound Attenuator - Center
2	0624-408	9		Screw, Cap
3	1673-332	1		Cover, Sound Attenuator
4	1606-038	3		Plug
5	0624-065	9		Screw, Cap
6	1673-415	3		Gasket, Intake
7	0624-022	9		Washer
8	1673-091	3		Gasket, Sound Attenuator
9	0670-986	1		Carburetor Assembly
10	0624-027	6		Washer, Lock
11	0624-028	6		Washer
12	0687-105	1		Cable, Choke
13	0687-051	1	/P	Nut, Choke Cable
14	0624-268	1		Ring, Retaining
15	0624-338	6	/P	Screw, Cap



1999 TS 900 L (W1999TSLLAUS-1999)
MAGNETO

Page 40 of 65

Ref #	Part Number	Qty	S/P/F	Description
1	3008-315	1		Stator
2	3008-278	1		Grommet
3	3004-706	5	S/P	Screw
4	3004-484	3	S	Screw, Cap
5	3008-109	1		Holder, Magneto Lead Wire
6	3008-331	1	/P	Clamp
7	3003-787	1		Tie, Cable
8	3004-540	1	/P	Key
9	3008-316	1	S	Flywheel
10	3008-448	1		Screw, Cap
11	3008-017	1		Washer
12	3004-362	1	S/P	Washer, Lock
13	3008-110	1		Holder, Grommet

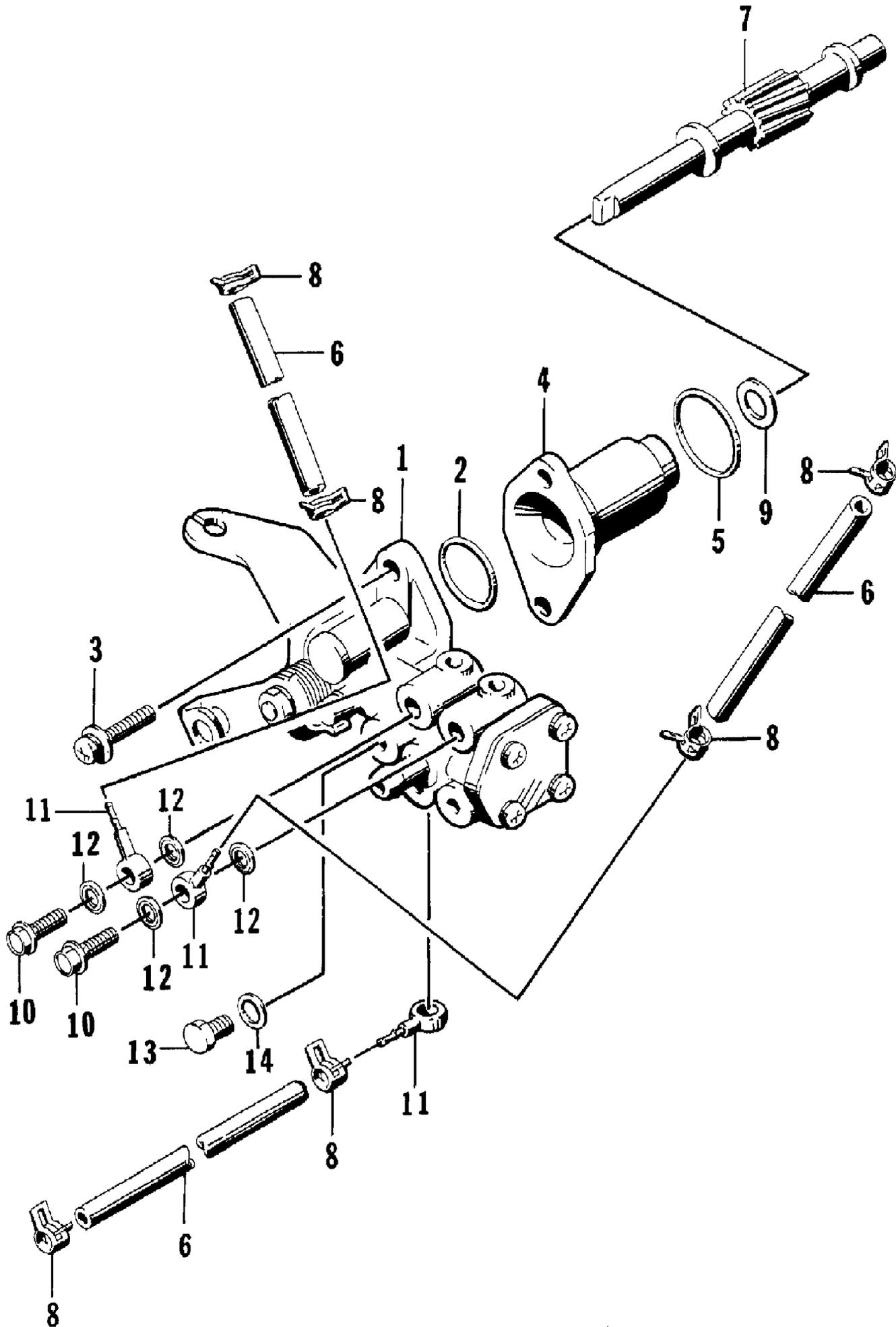


1999 TS 900 L (W1999TSLLAUS-1999)
 MUFFLER ASSEMBLY

Page 42 of 65

Ref #	Part Number	Qty	S/P/F	Description
1	0712-316	1		Muffler
2	0610-321	1		Hose, Exhaust - In
3	0773-944	4		Tiedown, Muffler
4	1673-411	1		Bracket, Sound Diffuser
5	0624-169	5		Clamp, Hose
6	1673-413	1		Flap, Sound Diffuser
7	0623-590	4		Rivet
8	0612-676	1		Gasket, Exhaust - Foam
9	0612-762	1	/P	Outlet, Exhaust
10	0610-371	1		Hose, Exhaust - Out
11	0712-338	1		Muffler, Secondary
12	0610-370	1		Hose, Exhaust - Intermediate
13	0612-576	1		Nut, Exhaust Outlet
14	1673-585	1		Foam, Support - Muffler
15	1673-412	1		Plate, Backing - Sound Diffuser

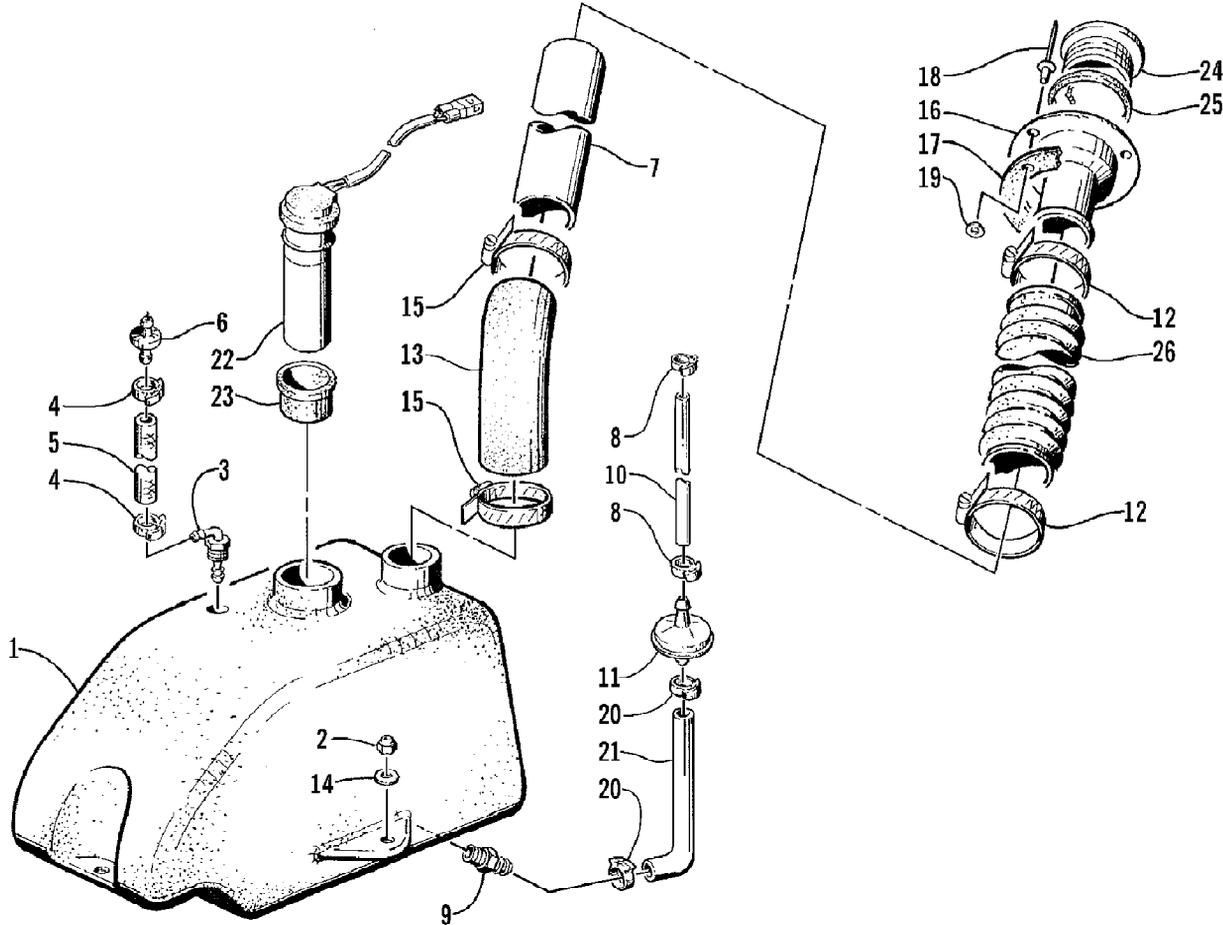
1999 TS 900 L (W1999TSLLAUS-1999)
OIL PUMP ASSEMBLY



1999 TS 900 L (W1999TSLLAUS-1999)
OIL PUMP ASSEMBLY

Page 44 of 65

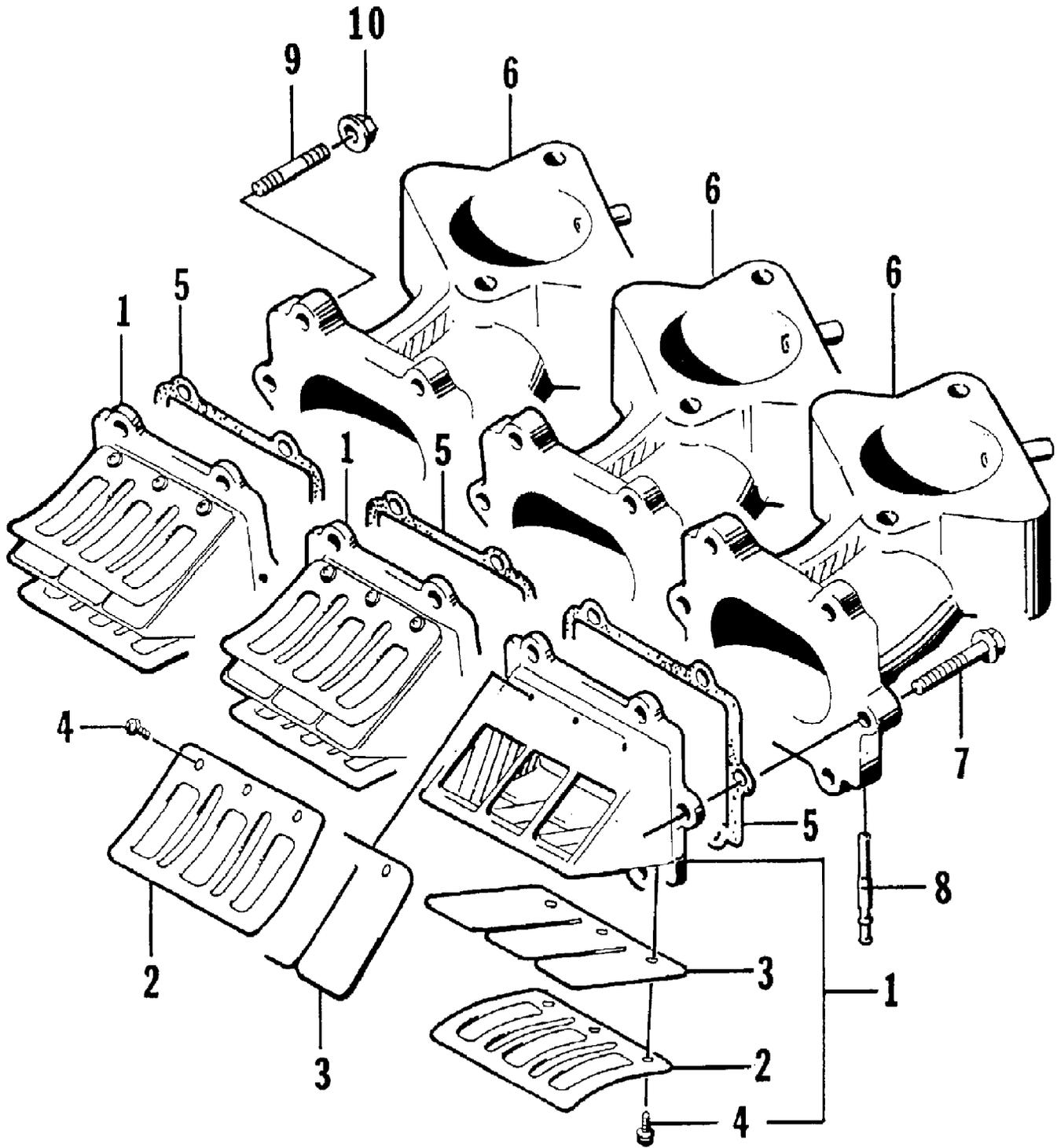
Ref #	Part Number	Qty	S/P/F	Description
1	3008-446	1		Oil Pump Assembly
2	3008-030	1		O-Ring
3	3008-393	2		Screw, Oil Pump
4	3004-763	1	/P	Retainer, Oil Pump Shaft
5	3004-153	1		O-Ring, Retainer
6	3008-035	3	/P	Hose, Oil Pump
7	3004-179	1		Gear, Oil Pump Driven
8	3008-037	6	/P	Clip
9	3003-753	1	S	Shim, Oil Pump Input Shaft
10	3004-346	3	/P	Screw, Cap
11	3003-217	3	/P	Check Valve, Oil
12	3003-290	6	/P	Gasket, Check Valve
13	6505-820	1		Screw, Oil Pump Bleed
14	6505-821	1		Washer, Bleed Screw



1999 TS 900 L (W1999TSLLAUS-1999)
OIL TANK ASSEMBLY

Page 46 of 65

Ref #	Part Number	Qty	S/P/F	Description
1	0670-807	1	/P	Tank, Oil
2	0624-005	3	/P	Nut, Lock
3	0115-607	1	S	Outlet, Tank
4	0624-120	2		Clamp, Hose
5	0710-425	0	/P	Hose, Oil - 25 ft
6	0610-059	1		Valve, Check
7	0670-904	1		Tube, Oil Filler
8	0124-045	2	/P	Clamp, Hose
9	0673-983	1		Fitting, Tank
10	0610-016	0	/P	Hose, Oil - 25 ft
11	0673-998	1		Filter, Oil
12	0624-019	4		Clamp, Hose
13	0610-368	1		Hose, Elbow Filler
14	0624-182	3		Washer
15	0624-099	3		Washer
16	0670-697	1		Filler, Oil - Assembly
17	0670-679	1		Seal, Oil Filler
18	8060-633	3	/P	Rivet
19	0623-603	3		Washer
20	0623-646	2		Clamp, Hose
21	0610-263	0		Hose, Oil
22	0620-225	1	/P	Sensor, Oil Level
23	0609-237	1		Seal, Grommet - Oil Sensor
24	0670-877	1		Oil Cap Assembly
25	0670-878	1		Seal, Oil Cap
26	0670-772	1		Connector, Oil Filler Tube



1999 TS 900 L (W1999TSLLAUS-1999)
REED VALVE ASSEMBLY

Page 48 of 65

Ref #	Part Number	Qty	S/P/F	Description
1	3008-073	3	S	Valve, Reed - Assembly (inc. 2-4)
2	3008-074	6		. Stopper, Reed Valve
3	3008-075	6		. Valve, Reed
4	3004-506	18	/P	. Screw, Reed Valve
5	3008-076	3	S	Gasket, Reed Valve
6	3008-443	3		Pipe, Intake - Assembly
7	0691-788	12		Screw, Cap
8	3003-597	3		Nozzle, Oil
9	3008-370	6	/P	Stud
10	3008-309	6	S	Nut

No
Diagram
Available

Parts List
Only

1999 TS 900 L (W1999TSLLAUS-1999)
RELATED ITEMS

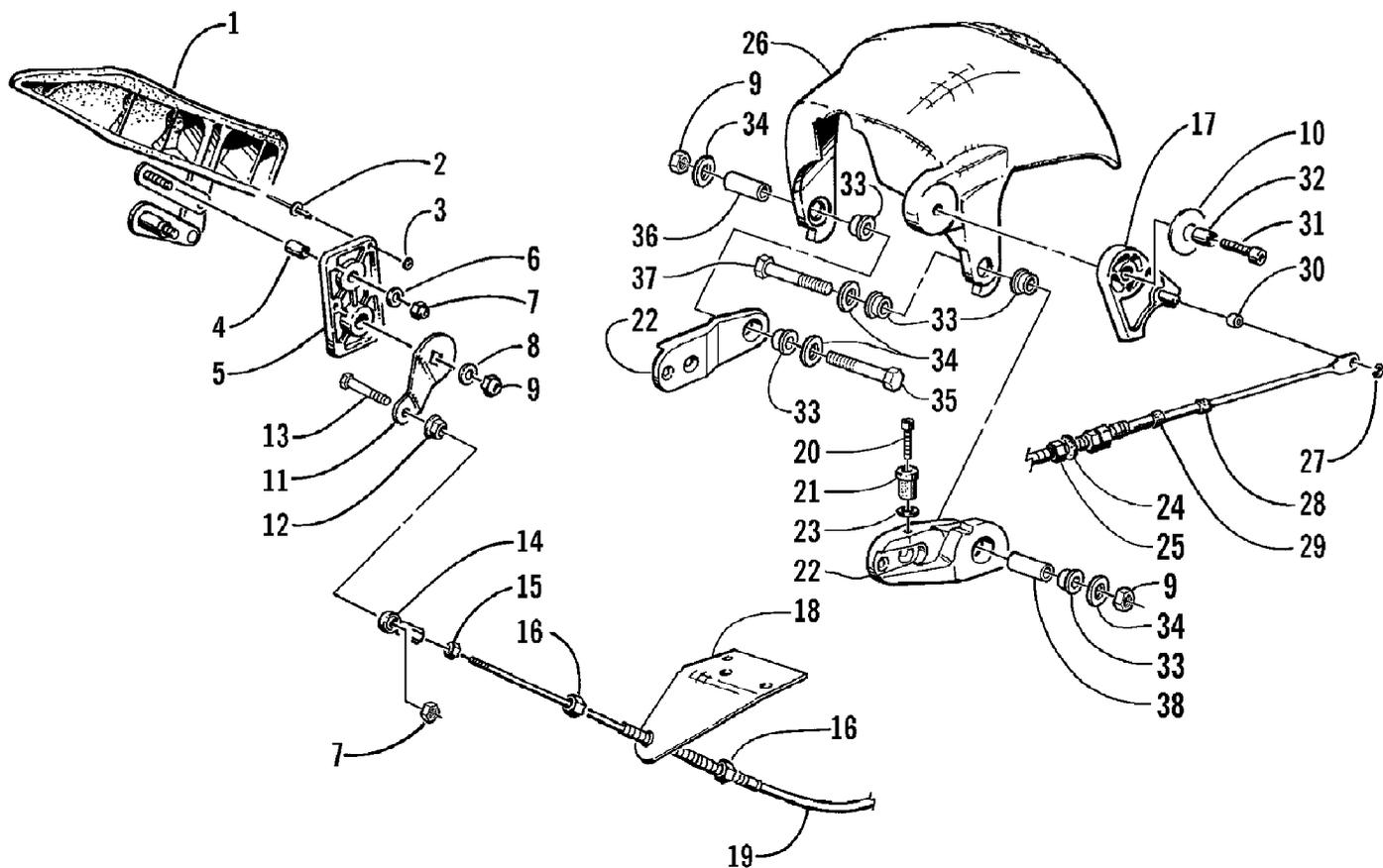
Page 50 of 65

Ref #	Part Number	Qty	S/P/F	Description
	0678-325	1	/P	Anchor Bag
	0678-546	1	/P	Anchor, Grapnel w/Float
	0678-363	1	/P	Beach Dolly
	0678-370	1		Bilge Cleaner
	0678-380	1		Buoy Set
	0678-026	1		Cleaner - Tigershark
	0678-271	1		Corrosion X
	0678-541	1	/P	Cover, Premium
	0678-120	1		Drive Unit Lube
	0678-023	1	S	Engine Fogger
	0678-272	1		Fiberglass Sealant
	0678-534	1	/P	Fire Extinguisher
	0678-006	1	/P	Flush Kit - Std. Backflush
	0678-258	1		Flush Kit - Std. Backflush w/Valve
	0678-514	1		Flush Kit, Dlx - Forward, 5/8" Coupler
	0678-032	1		Fuel Stabilizer
	0652-035	1	/P	Gelcoat, Red - 1 Quart
	0678-316	1		Gelcoat, Multicolor
	0678-389	1	/P	Grease Gun Cartridges, 3-Pack
	0678-348	1		Grease Gun Kit
	0678-209	1	S	Handlebar Grip, Adhesive Glue
	0678-219	1		Handlebar Grip, Black
	0678-137	1		Handlebar Grip, Purple
	0678-136	1		Handlebar Grip, Red
	0678-138	1		Handlebar Grip, Teal
	0678-287	1		Handlebar Grip, Yellow
	0678-362	1		Hourmeter, 2 1/16" Diameter
	0678-551	1		Hourmeter, Digital
	0678-364	1	/P	Lanyard, Red/Black
	0678-539	1		Lanyard, Blue/Yellow
	0678-390	1		Lanyard, Black/Yellow
	0678-538	1		Lanyard, Green/Blue
	0678-391	1		Lanyard, Purple/Yellow
	0678-364	1	/P	Lanyard, Red/Black
	0678-537	1		Lanyard, Teal/Yellow
	0678-392	1		Lanyard, Yellow/Black
	0678-180	1		Lift Harness
	0678-135	1		Lock, Start/Stop Switch
	2255-992	1		Manual, Operator's
	2256-119	1		Manual, Illustrated Parts
	2256-121	1		Manual, Service
	0678-547	1		Mirror Kit, Black
	0678-031	1		Octane Booster
	0678-312	1		Oil, Extreme - 55 Gallon Drum
	0678-288	1		Oil, Extreme - Gallon
	0678-289	1		Oil, Extreme - Quart
	0678-471	1		PWC Lift
	0678-550	1		Paddle w/Storage Case
	0652-084	1		Paint-Touchup, Red
	0678-185	1		Plug Caddy, Purple
	0678-149	1		Plug Caddy, Rivet On
	0678-533	1		Registration Letters, Black/Silver,Block Style
	0678-470	1		Registration Letters, Carbon Fiber,Block Style

1999 TS 900 L (W1999TSLLAUS-1999)
RELATED ITEMS

Page 51 of 65

Ref #	Part Number	Qty	S/P/F	Description
	0678-360	1		Registration Letters, Gold/Black
	0678-263	1		Registration Letters, Purple/Yellow
	0678-361	1		Registration Letters, Red/Black
	0678-532	1		Registration Letters, Red/Black,Block Style
	0678-177	1		Registration Letters, Red/Purple
	0678-262	1		Registration Letters, Red/Yellow
	0678-178	1		Registration Letters, Teal/Purple
	0678-358	1		Rope - Mooring, Black
	0678-357	1		Rope - Mooring, Blue
	0678-052	1	/P	Rope - Mooring, Purple
	0678-054	1		Rope - Mooring, Red
	0678-053	1		Rope - Mooring, Teal
	0678-189	1	/P	Rope - Nylon, w/Clips
	0678-406	1	/P	Rope - Toy Connector, Purple
	0678-407	1		Rope - Toy Connector, Red
	0678-402	1	/P	Rope - Water Toy, 60 ft, Purple
	0678-403	1	/P	Rope - Water Toy, 60 ft, Red
	0678-457	1	/P	Rope - Water Ski, 60 ft, Purple
	0678-458	1	/P	Rope - Water Ski, 60 ft, Red
	0678-236	1		Shark Rope
	0678-469	1		Shark Stand
	0678-374	1		Stor-Tech(tm) Plugs 2/Pkg
	0678-371	1		Tie Down, 2-Hook, Purple
	0678-372	1		Tie Down, 2-Hook, Red
	0678-536	1		Tie Down, 3-Hook, Red
	0678-105	1		Tool Kit
	0678-463	1		Tube, Hydroshark - 2 Up
	0678-462	1		Tube, Hydroshark - 60"
	0678-464	1		Water Ski - Combo Set
	0678-393	1		Waterproof Bag
	0678-025	1		Wax - Tigershark



1999 TS 900 L (W1999TSLLAUS-1999)
 REVERSE DEFLECTOR AND LEVER ASSEMBLY

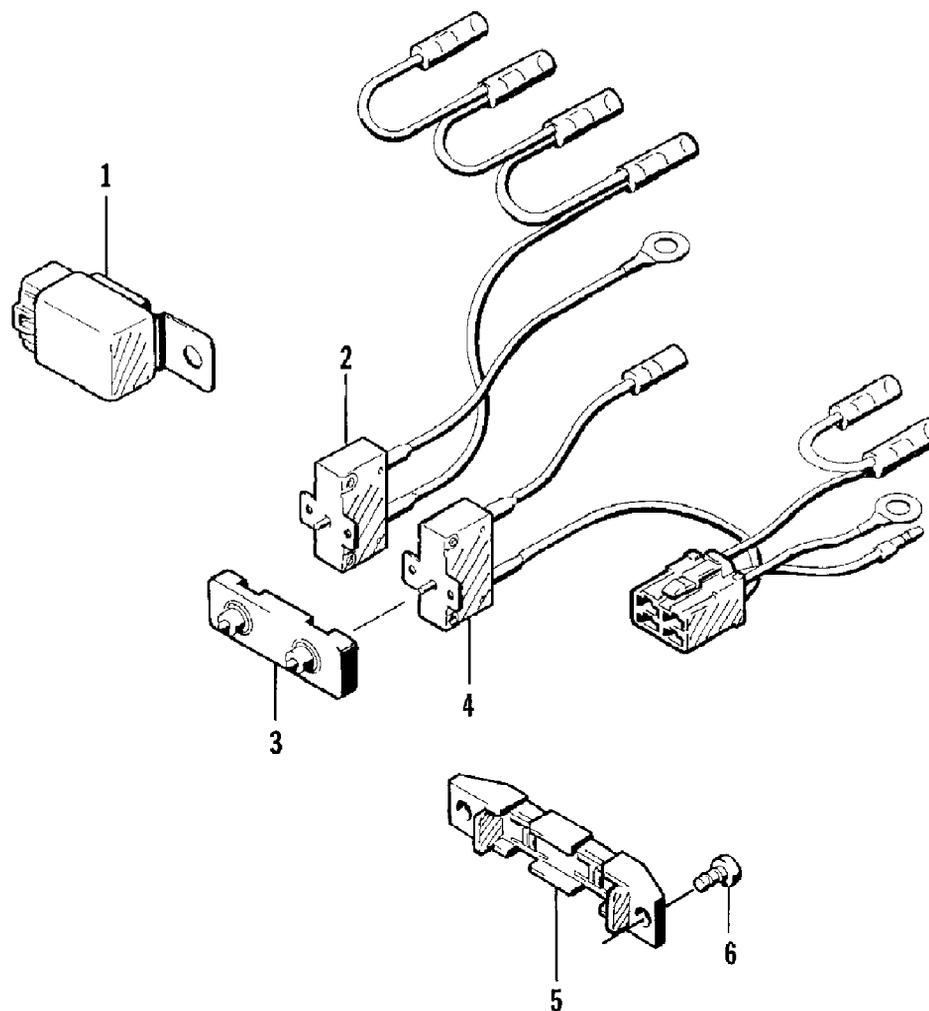
Page 53 of 65

Ref #	Part Number	Qty	S/P/F	Description
1	1673-564	1		Handle, Reverse Assembly
2	0624-288	3		Rivet
3	0624-004	3		Washer
4	0624-478	1		Spacer, Lever
5	1673-636	1	/P	Plate, Reverse
6	0624-228	1		Washer
7	0624-089	2		Nut, Lock
8	0624-028	1		Washer
9	0624-090	3		Nut, Lock
10	0624-160	1		Washer
11	1673-389	1		Arm, Reverse Lever
12	0624-233	1		Nut, Flange
13	0624-476	1		Screw, Machine
14	0673-932	1		Rod, End
15	0624-279	1		Nut
16	0624-470	2		Nut
17	0675-065	1	/P	Latch, Reverse
18	1673-543	1		Bracket, Reverse Cable
19	1673-416	1		Cable, Reverse
20	0624-314	1		Screw, Cap
21	0624-083	1		Wellnut
22	0675-251	1	/P	Strike, Reverse - Starboard
22	0675-212	1		Bracket, Trim Ring - Port
23	0624-022	0		Washer
24	1673-193	1		Gasket
25	0623-669	1		Nut
26	0775-108	1		Deflector, Reverse
27	0624-446	1		Ring, Retaining
28	0612-363	1		Seal
29	0612-364	1		Cover, Cap
30	0624-450	1		Spacer
31	0624-157	1		Screw, Cap
32	0624-452	1		Spacer
33	1673-630	5		Bushing
34	0624-125	4	/P	Washer
35	0624-210	1		Screw, Cap
36	0624-496	1		Spacer
37	0624-402	1		Screw, Cap
38	0624-497	1		Spacer

1999 TS 900 L (W1999TSLLAUS-1999)
SEAT ASSEMBLY

Page 55 of 65

Ref #	Part Number	Qty	S/P/F	Description
	0773-892	1		Complete Seat Assembly - Forward
	0773-893	1		Complete Seat Assembly - Aft
1	0773-894	1		Cover, Seat - Forward
2	1673-437	1		Base, Seat - Forward
3	0773-872	1		Foam, Seat - Forward
4	0773-939	1	S	Cover, Seat - Aft
5	0773-873	1		Foam, Seat - Aft
6	1673-438	1		Base, Seat - Aft
7	1673-497	1		Strap, Seat - Forward
7	1673-535	1		Strap, Seat - Aft
8	0624-263	0		Staple
9	1673-556	1		Seal, Seat Base - Forward
10	1673-557	1	F	Seal, Cooler
11	1673-443	1	F	Cooler, Rear
12	0624-396	12		Nut
13	0673-668	2		Catch, Seat
14	0624-182	2		Washer
15	0624-036	8		Washer, Lock
16	0624-046	4		Screw, Cap
17	0624-262	2	F	U-Bolt, Seat
18	0624-061	4	F	Nut
19	0624-125	4	/P/F	Washer
20	0624-126	4	F	Washer Rubber
21	0624-090	4	F	Nut Lock
22	0624-089	1	F	Nut, Lock
23	0673-752	1	F	Plate, Backing - Aft
24	0624-271	1	F	Screw, Machine
25	0624-299	1	F	Washer, Sealing
26	1673-383	1	/P/F	Stud, Latch - Seat - Forward
27	0624-047	2	F	Nut
28	0624-159	2	F	Washer
29	0623-391	1	F	Washer Rubber - Forward
30	0624-013	2	F	Washer
31	0624-009	2	F	Nut
32	1673-454	1	F	Stud, Latch - Seat - Aft
33	0773-941	2	/P	Seat Latch Housing Assembly
34	1673-453	1		Lever, Release - Seat Latch - Forward
34	0673-026	1		Lever, Release - Seat Latch - Aft
35	0623-698	4		Spacer - Seat Latch
36	0673-023	2		Clip, Spring Retaining - Seat Latch
37	0624-022	4		Washer
38	0624-302	4		Screw, Cap
39	0624-272	4		Screw, Machine
40	0624-293	4		Washer

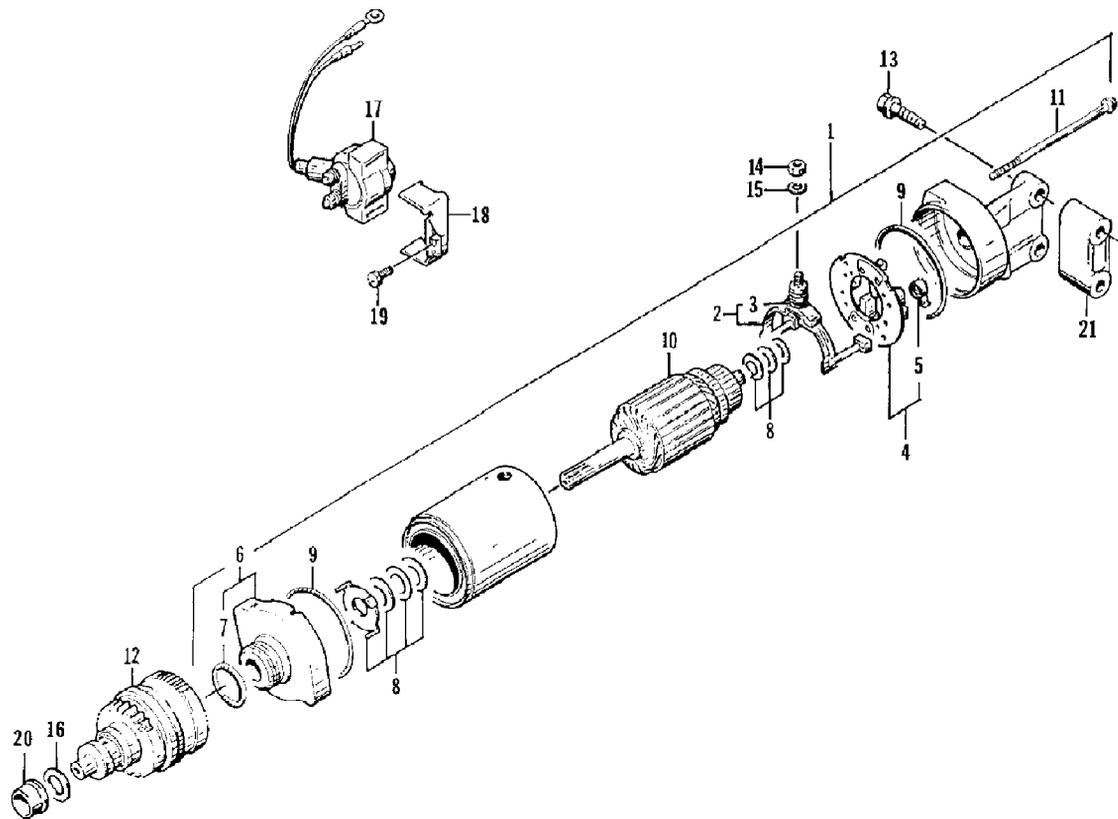


1999 TS 900 L (W1999TSLLAUS-1999)
SENSOR ASSEMBLY

Page 57 of 65

Ref #	Part Number	Qty	S/P/F	Description
1	3008-297	1	/P	Relay - Assembly
2	3008-348	1	S	Protector, Circuit Charge
3	3008-351	1		Cap, Circuit Protector
4	3008-350	1	/P	Protector, Circuit Load
5	3008-294	1	/P	Holder, Circuit Protector
6	3008-313	2		Screw

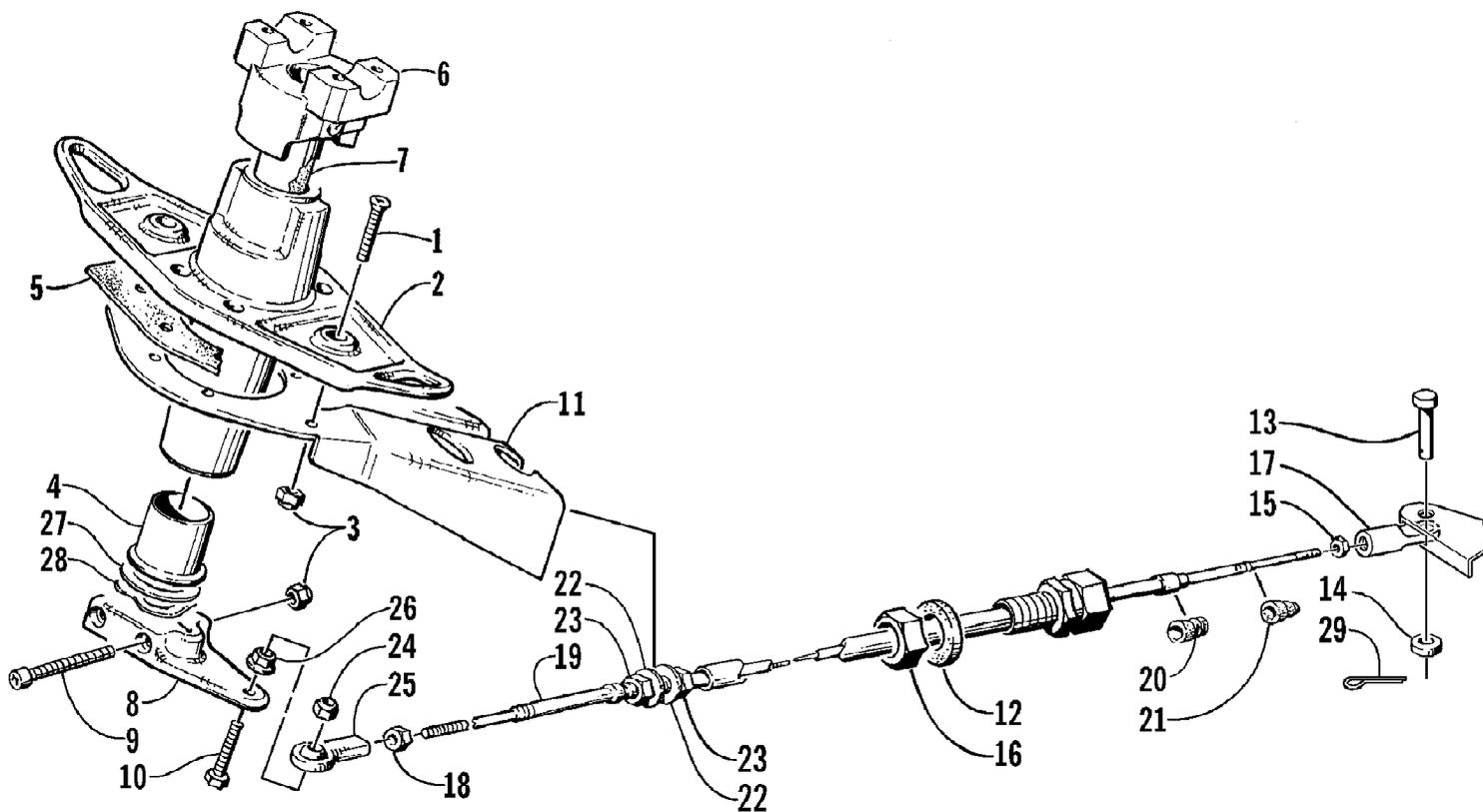
1999 TS 900 L (W1999TSLLAUS-1999)
STARTER MOTOR ASSEMBLY



1999 TS 900 L (W1999TSLLAUS-1999)
STARTER MOTOR ASSEMBLY

Page 59 of 65

Ref #	Part Number	Qty	S/P/F	Description
1	3008-327	1	S	Starter Motor Assembly (inc. 2-11)
2	3008-094	1	/P	. Terminal Set, Brush (inc. 3)
3	3008-164	1		. O-Ring
4	3008-095	1	/P	. Holder Set, Brush (inc. 5)
5	3008-096	4		. Spring, Brush
6	3008-328	1	/P	. Front Bracket Assembly (inc. 7)
7	3008-363	1	/P	. O-Ring
8	3008-099	2		. Shim Set
9	3008-101	2	S	. O-Ring
10	3008-103	1		. Armature
11	3008-102	2		. Screw, Cap
12	3008-408	1	/P	Pinion Assembly
13	3008-447	2		Screw, Cap
14	3008-014	1		Nut
15	3008-020	1		Washer, Lock
16	3008-193	1	S	Washer
17	3008-165	1	/P	Relay
18	3008-140	1		Bracket
19	3008-313	1		Screw, Bracket
20	3008-105	2		Bushing, Pinion Shaft
21	3008-277	1		Spacer, Starter Motor

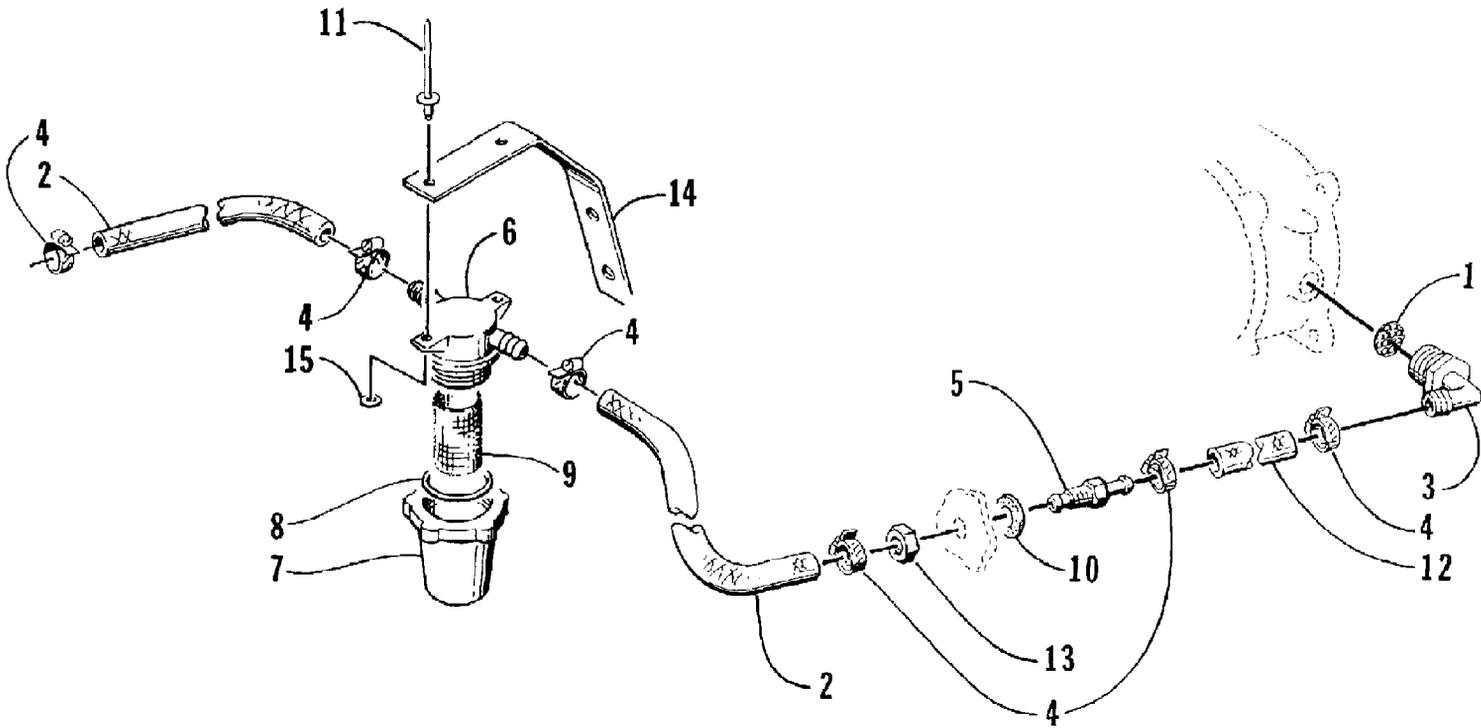


1999 TS 900 L (W1999TSLLAUS-1999)
STEERING POST ASSEMBLY

Page 61 of 65

Ref #	Part Number	Qty	S/P/F	Description
1	0624-464	6		Screw, Machine
2	0605-046	1		Housing, Steering
3	0624-250	8		Nut, Lock
4	0605-055	2		Bearing, Flange
5	0605-391	1		Seal
6	0605-382	1		Post, Steering
7	0717-052	0	/P	Foam, Neoprene Tape
8	0605-072	1		Arm, Steering
9	0624-456	2	/P	Screw, Cap
10	0624-476	1		Screw, Machine
11	0605-054	1		Bracket, Steering Cable
12	1673-193	1		Gasket, Cable - Foam
13	0624-502	1		Pin, Clevis
14	0624-182	1		Washer
15	0624-279	1		Nut
16	0623-669	1		Nut
17	0605-422	1		End, Steering Cable
18	0624-107	1		Nut
19	1673-359	1		Cable, Steering
20	0612-364	1		Cover, Thread Cap - Steering Cable
21	0612-363	1		Seal, Rod
22	0624-106	2		Washer
23	0624-105	2		Nut
24	0624-089	1		Nut, Lock
25	0673-931	1		End, Steering Cable
26	0624-233	1		Nut, Flange
27	0624-468	2		Washer
28	0624-469	2		Washer, Wave
29	0624-505	1		Pin, Cotter

1999 TS 900 L (W1999TSLLAUS-1999)
WATER FILTER ASSEMBLY

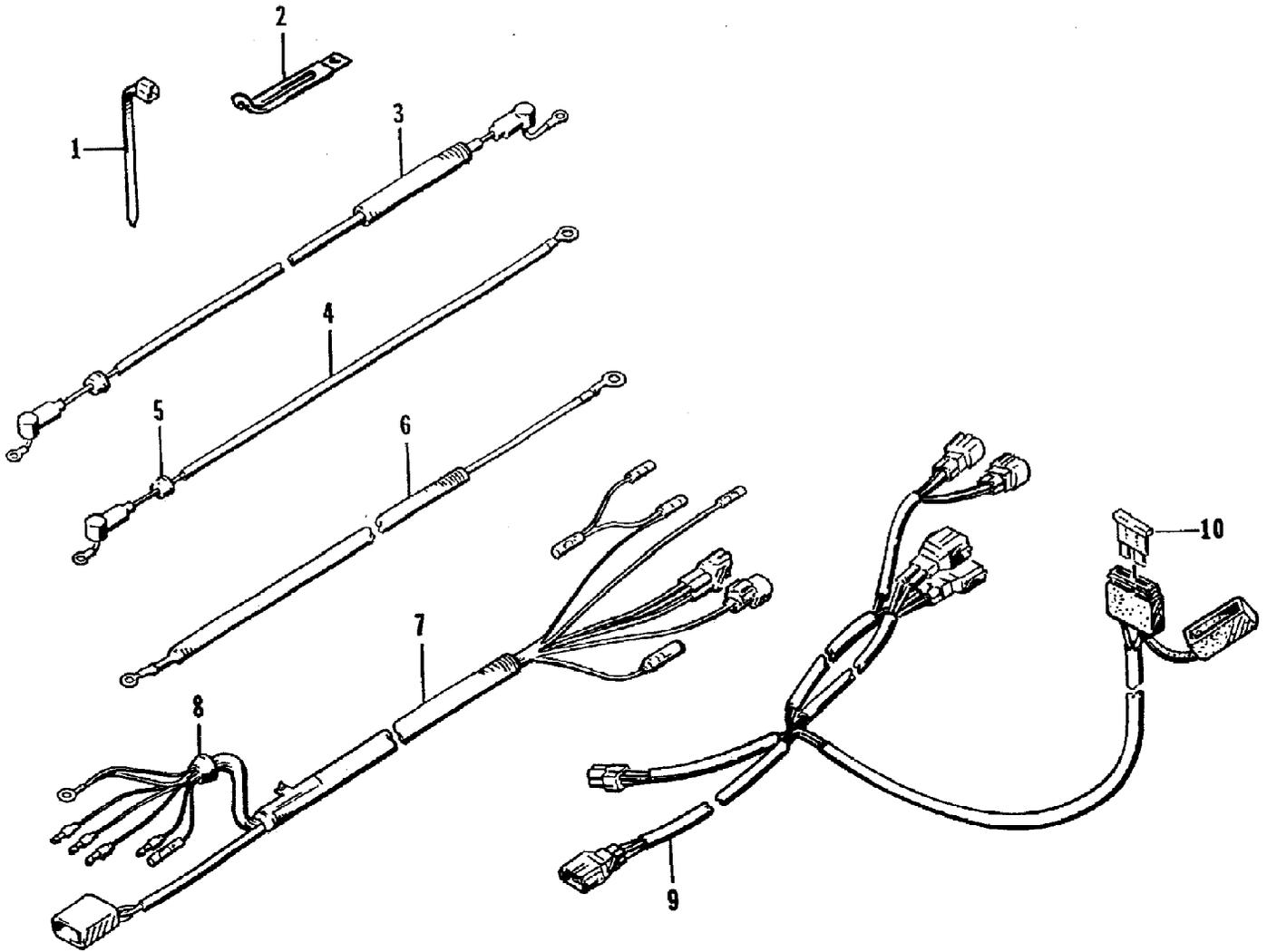


1999 TS 900 L (W1999TSLLAUS-1999)
WATER FILTER ASSEMBLY

Page 63 of 65

Ref #	Part Number	Qty	S/P/F	Description
1	0675-042	1		Screen
2	0610-268	0		Hose, Water - 25 ft (900)
3	0673-850	1		Fitting, Elbow (900)
4	0624-016	6		Clamp, Hose
5	1673-447	1		Fitting (900)
6	0673-653	1		Filter, Water Assembly (inc. 7-9) (900)
7	0673-669	1		. Cover
8	0673-670	1		. O-Ring
9	0673-671	1		. Screen
10	0676-001	1		Gasket, Foam
11	8060-428	2		Rivet (900)
13	0623-709	1		Nut
14	0676-009	1		Bracket, Mounting (900)
15	0624-025	2		Washer (900)

1999 TS 900 L (W1999TSLLAUS-1999)
WIRING HARNESS



1999 TS 900 L (W1999TSLLAUS-1999)
WIRING HARNESS

Page 65 of 65

Ref #	Part Number	Qty	S/P/F	Description
1	3008-044	1		Tie, Cable
2	3002-964	2	/P	Clamp
3	3008-466	1		Cable, Starter
4	3008-345	1	/P	Cable, Battery (inc. 5)
5	3008-334	1	/P	. Grommet
6	3008-154	1		Cable, Ground (900)
7	3008-547	1	/P	Harness, Wiring
8	3008-362	1	/P	Grommet
9	0686-626	1		Harness, Gauge (900)
10	0630-056	1		Fuse, 3 AMP