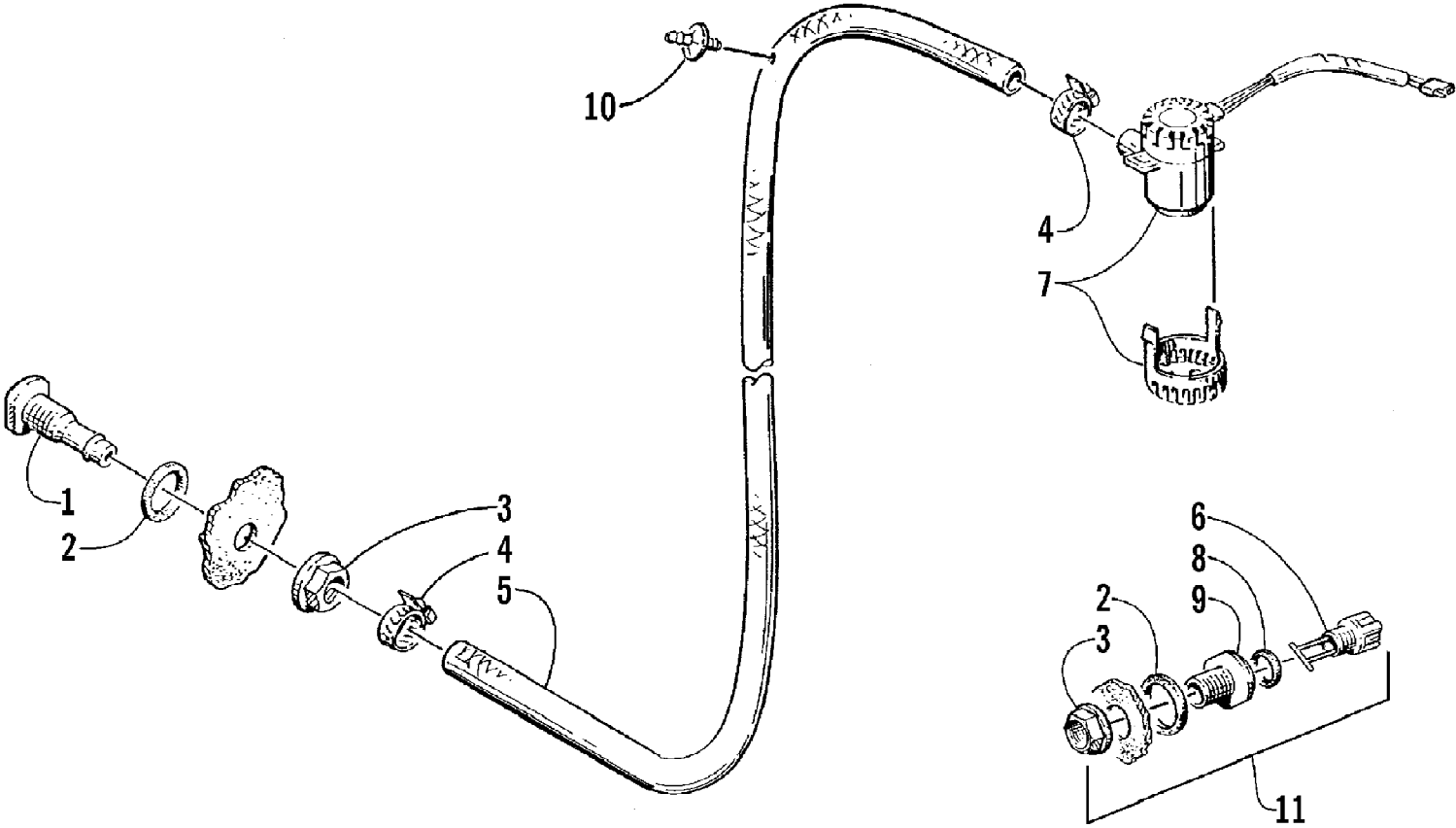


1999 TS 770 R (W1999TSJRAUS-1999)
BILGE PUMP ASSEMBLY

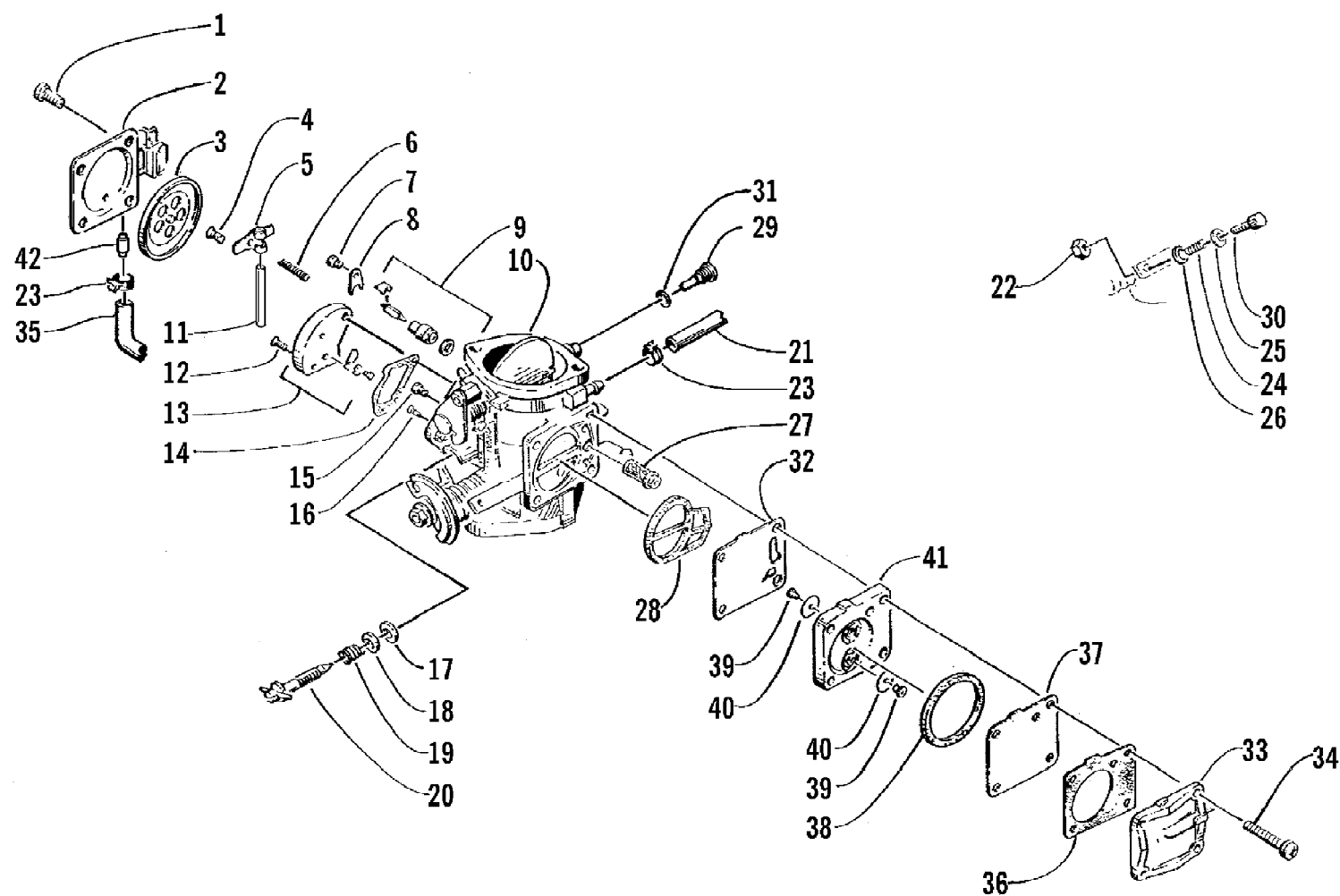


1999 TS 770 R (W1999TSJRAUS-1999)
BILGE PUMP ASSEMBLY

Page 2 of 59

Ref #	Part Number	Qty	S/P/F	Description
1	0673-377	1		Fitting, Outlet - Bilge
2	0612-456	2		Seal, Fitting
3	0623-753	2	/P	Nut, Fitting
4	0624-018	2		Clamp, Hose
5	0710-276	1		Hose, Bilge
6	0673-404	1		Plug, Drain
7	1673-331	1	S	Pump, Bilge
8	0673-459	1		O-Ring
9	0673-278	1		Retainer, Drain Plug
10	0610-059	1		Valve, Check
11	0678-565	1		Kit, Hull Drain (inc. 2,3,6,8,9)

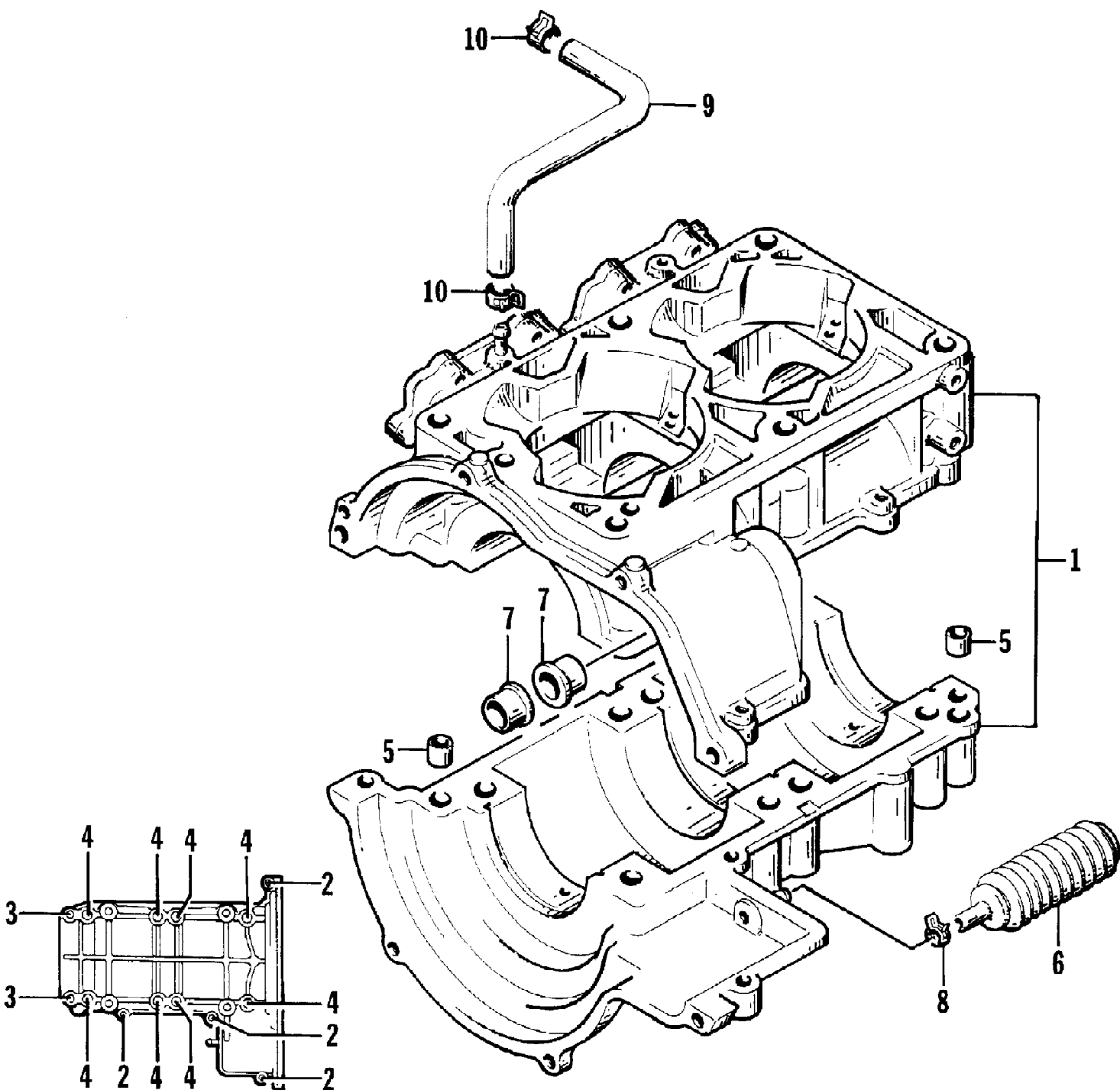
1999 TS 770 R (W1999TSJRAUS-1999)
CARBURETOR



1999 TS 770 R (W1999TSJRAUS-1999)
CARBURETOR

Page 4 of 59

Ref #	Part Number	Qty	S/P/F	Description
	1670-043	1		Complete Assembly (inc. MAG and PTO Carburetors)
1	6505-943	4		Screw, Machine
2	6505-946	1		Cover, Diaphragm
3	6505-663	1		Diaphragm Assembly
4	6505-692	1		Screw, Machine
5	6505-664	1		Arm
6	6505-720	1	S	Spring
7	6505-695	1		Screw, Machine
8	6505-682	1		Plate
9	6505-717	1		Needle Valve Assembly
10	0	1	F	Mixing Body
11	6505-681	1		Pin
12	6505-679	2		Screw, Machine
13	6505-680	1		Block, Metering
14	6505-677	1		Gasket
15	6505-739	1		Main Jet - 125
16	6506-177	1		Jet, Low Speed - 57.5 **
17	6505-668	1		Seal
18	6505-661	1		Washer
19	6505-660	1		Spring
20	6505-852	1		Adjuster
21	6505-945	1		Hose Assembly
22	6505-911	1		Nut
23	6505-941	4		Clip
24	6505-678	1		Spring
25	6505-703	1		Washer
26	6505-872	1	/P	O-Ring
27	6505-676	1		Filter
28	6505-665	1		S-Gasket
29	6505-953	1		Main Jet - Fixed 85 **
30	6505-912	1		Screw Assembly
31	6505-042	1		O-Ring
32	6505-656	1	/P	Diaphragm, Damper
33	6505-652	1		Cover, Pump
34	6505-704	4		Screw, Machine
35	6505-942	1		Hose
36	6505-653	1		Gasket
37	6505-654	1		Diaphragm, Pump
38	6505-683	1		O-Ring
39	0	2	F	Grommet
40	0	2	F	Valve
41	6505-655	1		Body Assembly, Diaphragm
42	6505-975	1		Jet, Recharge

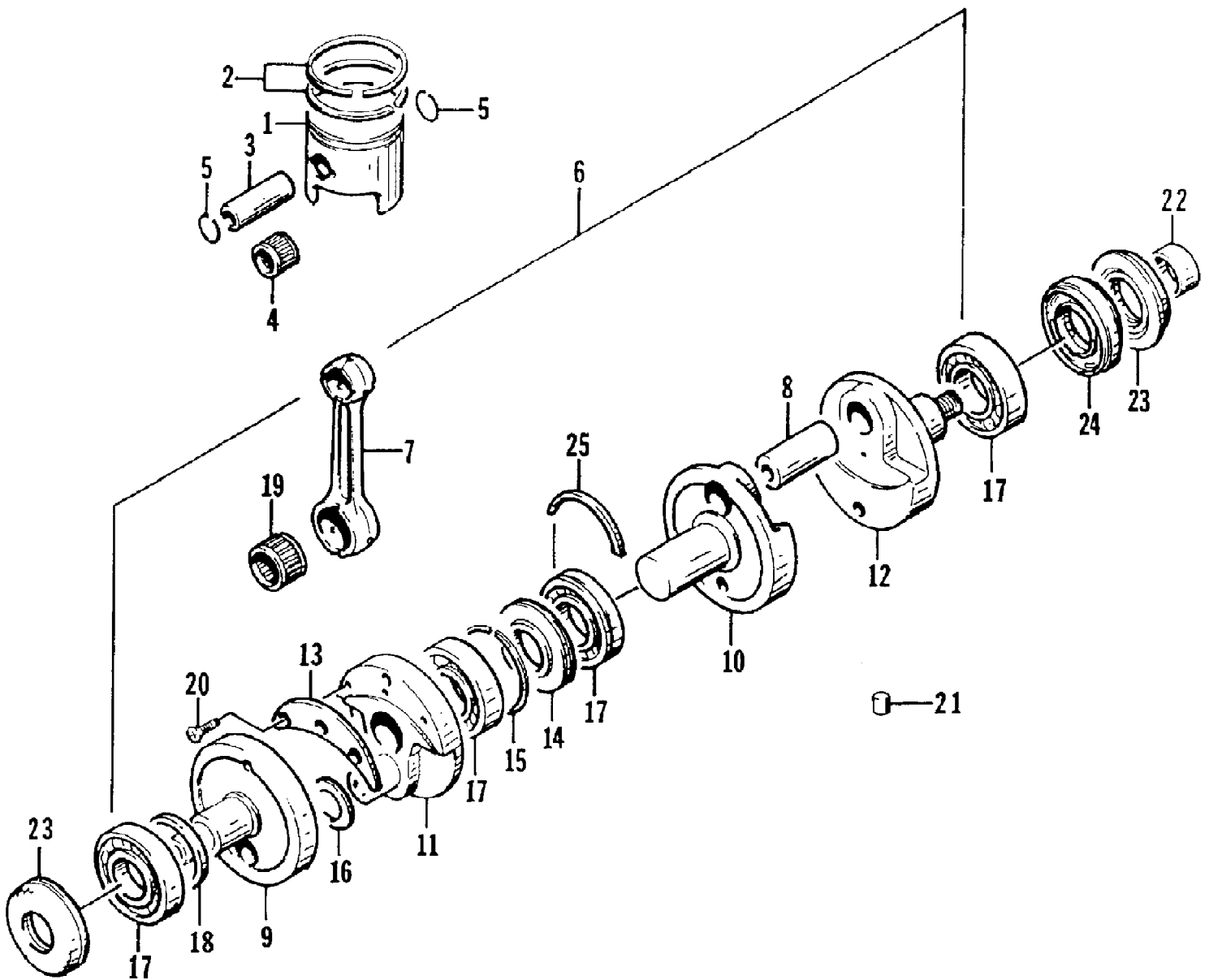


1999 TS 770 R (W1999TSJRAUS-1999)
CRANKCASE ASSEMBLY

Page 6 of 59

Ref #	Part Number	Qty	S/P/F	Description
1	3008-426	1	/P	Crankcase Assembly (inc. 2-5)
2	3008-210	4	/P	. Screw, Cap
3	3008-373	2	/P	. Screw, Cap
4	3008-212	8	/P	. Screw, Cap
5	3008-199	2	/P	. Pin
6	3008-100	1		Bladder, Magneto Case
7	3008-105	2		Bushing, Pinion Shaft
8	3008-546	1		Clamp
9	3008-200	1	/P	Hose, Vacuum
10	3008-039	2		Clamp, Hose

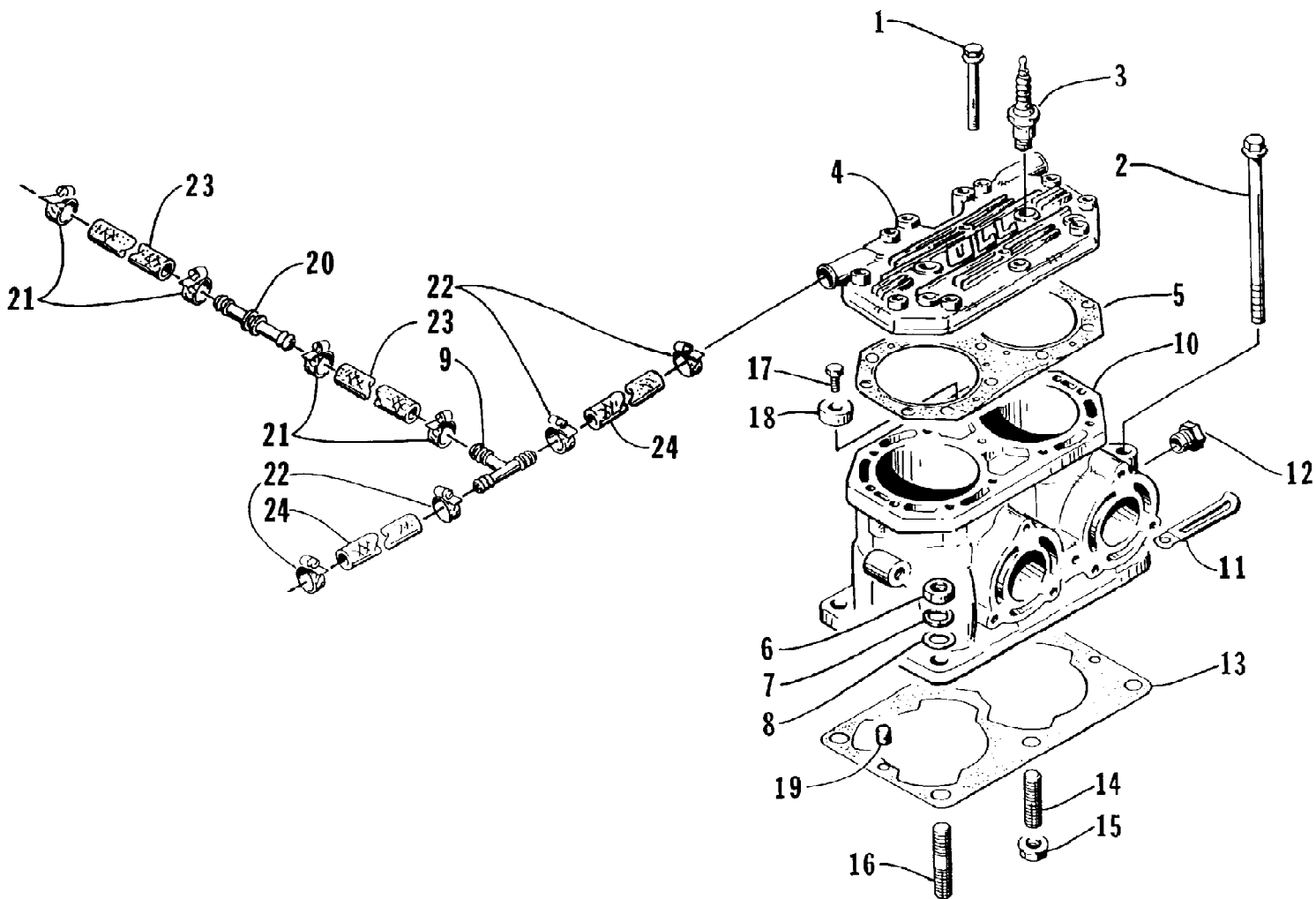
1999 TS 770 R (W1999TSJRAUS-1999)
CRANKSHAFT ASSEMBLY



1999 TS 770 R (W1999TSJRAUS-1999)
CRANKSHAFT ASSEMBLY

Page 8 of 59

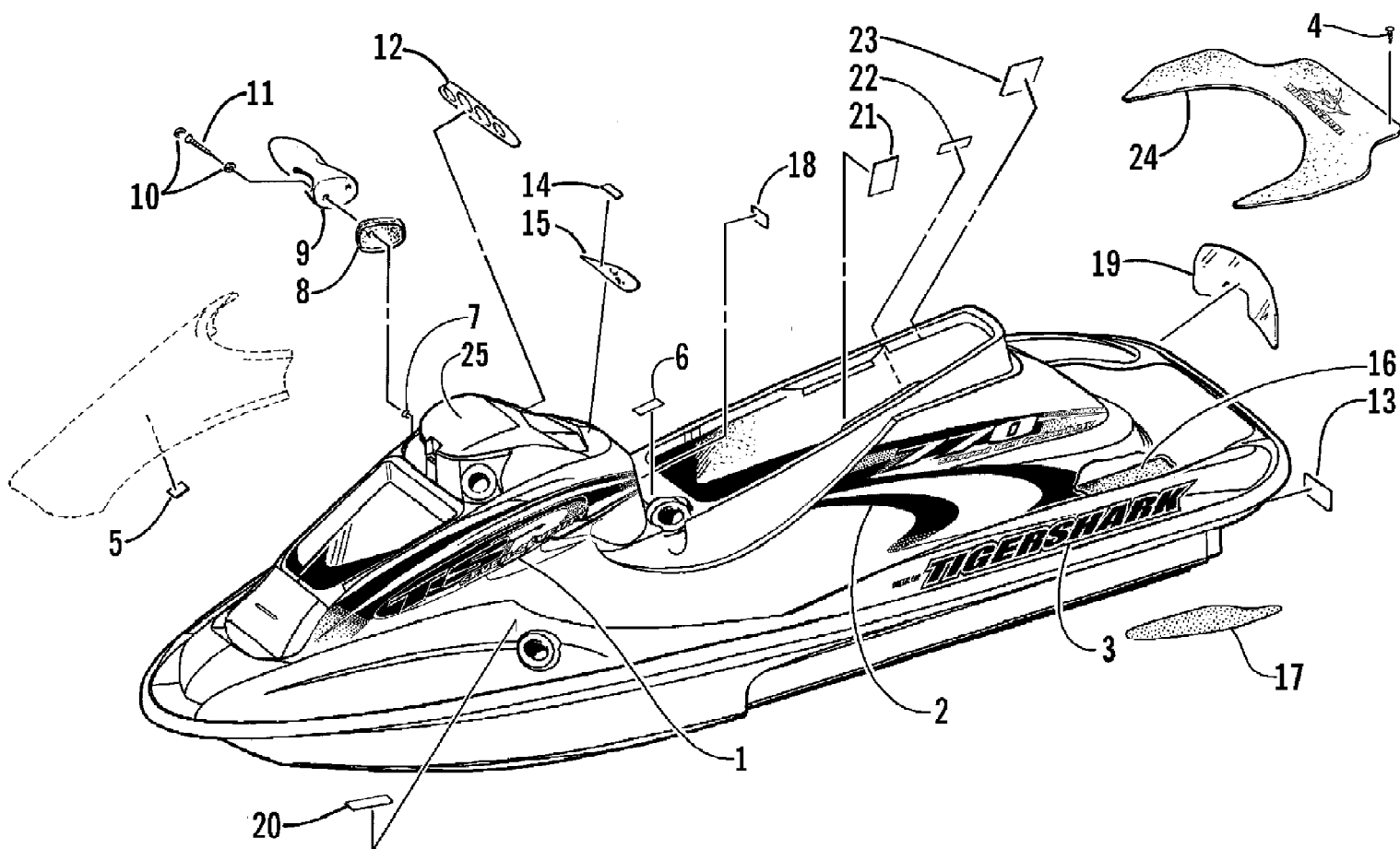
Ref #	Part Number	Qty	S/P/F	Description
1	3008-569	2	/P	Piston, Standard
1	3008-414	2		Piston, Optional (+ 0.010 in.)
1	3008-416	2		Piston, Optional (+ 0.020 in.)
2	3008-413	2		Ring Set, Standard
2	3008-415	2		Ring Set, Optional (+ 0.010 in.)
2	3008-417	2		Ring Set, Optional (+ 0.020 in.)
3	3008-482	2	/P	Pin
4	3003-433	2	/P	Bearing
5	3003-439	4	/P	Ring, Snap
6	3008-428	1		Crankshaft Assembly (inc. 7-20)
7	3008-427	2		. Connecting Rod
8	3008-429	1	/P	. Crank Pin
9	3008-430	1		. Crankshaft, Right
10	3008-431	1		. Crankshaft, Center
11	3008-432	1		. Wheel, Crankshaft
12	3008-433	1		. Crankshaft, Left
13	3008-069	1		. Balancer
14	3003-606	1		. Race, Center
15	3003-453	1		. Ring, Center
16	3008-019	1		. Washer
17	3008-421	4	/P	. Bearing
18	3008-495	1	/P	. Washer
19	3008-423	2		. Bearing
20	3004-372	3	S	. Screw, Machine
21	3003-658	4	/P	Pin
22	3008-072	1		Spacer, Crankshaft
23	3003-367	2		Seal, Oil
24	3002-355	1		Seal, Oil - Center
25	3003-359	1		C-Ring



1999 TS 770 R (W1999TSJRAUS-1999)
CYLINDER ASSEMBLY

Page 10 of 59

Ref #	Part Number	Qty	S/P/F	Description
1	3008-381	10		Screw, Cap
2	3008-459	1	/P	Screw, Cap
3	0217-709	2		Spark Plug (BR9EYA)
4	3008-531	1	/P	Head, Cylinder
5	3008-538	1	S	Gasket, Cylinder Head
6	3008-209	4	/P	Nut
7	3008-207	4	/P	Washer, Lock
8	3004-278	4	S/P	Washer
9	1673-162	1		T-Connection
10	3008-425	1	/P	Cylinder
11	3008-358	1	/P	Clamp
12	1673-190	1		Plug
13	3008-411	1		Gasket, Cylinder
14	3008-394	1	/P	Stud
15	3008-208	1		Nut
16	3008-300	4		Stud
17	3008-013	1		Screw, Cap
18	3008-047	1		Zinc Anode (inc. 17)
19	3008-146	2		Pin
20	1673-170	1		Jet, Restrictor
21	0624-324	4		Clamp, Hose
22	0624-016	4		Clamp
23	0610-183	0		Hose, Water
24	0710-191	0		Hose, Water

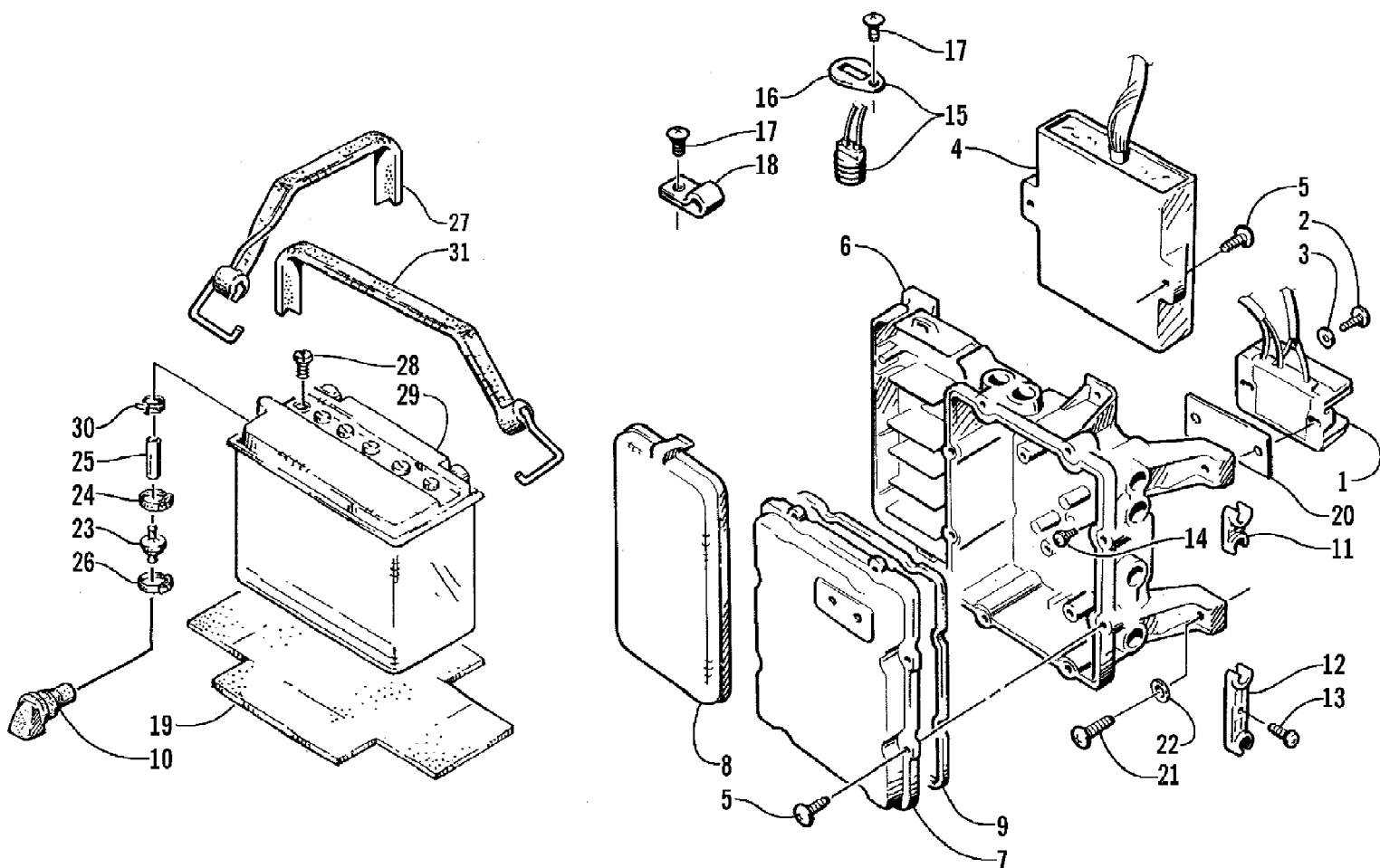


1999 TS 770 R (W1999TSJRAUS-1999)
DECAL AND FOOTPAD ASSEMBLY

Page 12 of 59

Ref #	Part Number	Qty	S/P/F	Description
1	0614-530	1		Decal, Hatch - Starboard (770)
1	0614-531	1		Decal, Hatch - Port (770)
2	0614-532	1		Decal, Deck - Side - Starboard (770)
2	0614-533	1		Decal, Deck - Side - Port (770)
3	0614-534	1		Decal, Deck - "Tigershark" - Starboard
3	0614-535	1		Decal, Deck - "Tigershark" - Port
4	0623-725	20	/P	Clip, Retaining
5	0614-431	2		Decal, Loading
6	0614-300	1		Decal, Oil
12	0614-540	1		Decal, Instrument Panel
13	0614-154	1		Decal, Caution - Uprighting
14	0614-361	1		Decal, Warning "Lean Condition"
15	0614-542	1		Decal, Console (770)
16	0617-262	2		Foam, Footwell
17	1673-658	3		Pad, Foot - Starboard
17	1673-659	3		Pad, Foot - Forward - Port
18	1611-866	1		Warning - Leaking Fuel
19	0614-351	1		Decal, Regulation
20	0614-577	1		Decal, Warning - Fuel (770)
21	0614-443	1		Decal, Winterization (770)
22	0614-325	1		Decal, Common Sense
23	0614-326	1		Decal, USCG Exemption
24	1673-419	1		Pad, Foot - Rear
25	0614-555	1		Decal, Anti-Glare

1999 TS 770 R (W1999TSJRAUS-1999)
ELECTRICAL MODULE AND BATTERY

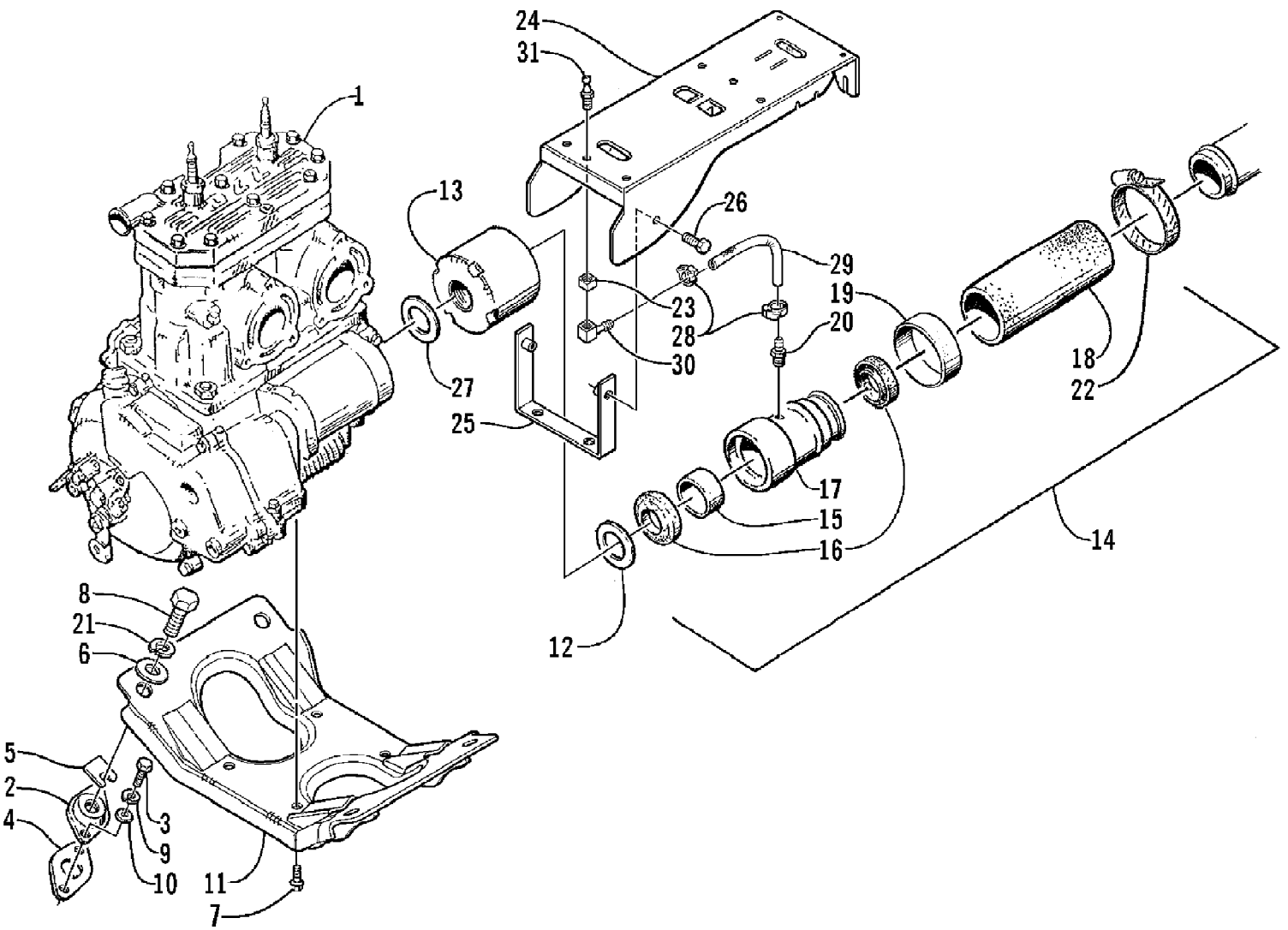


1999 TS 770 R (W1999TSJRAUS-1999)
ELECTRICAL MODULE AND BATTERY

Page 14 of 59

Ref #	Part Number	Qty	S/P/F	Description
1	3008-279	1	/P	Regulator Assembly (inc. 2)
2	3008-479	2		. Screw, Regulator
3	3008-337	2		Washer, Regulator
4	3008-566	1		Unit, CDI (770)
5	3008-478	10		Screw, Machine
6	3008-465	1		Case
7	3008-283	1	/P	Cover, Electrical Case
8	3008-284	1	/P	Cover, Connector Case
9	3008-285	1	/P	Packing
10	0673-755	1		Vent, Through-Hull - w/Hood
11	3008-124	2		Holder
12	3008-125	1		Holder
13	3008-477	4		Screw, Machine
14	3008-217	1		Screw, Machine
15	3008-330	1	S/P	Sensor Assembly (inc. 16)
16	3008-134	1		. Supporter
17	3008-219	2		Screw, Machine
18	3002-964	1	/P	Clamp, Wire
19	1673-310	1	S	Pad, Battery
20	3008-336	1	/P	Base, Regulator
21	0624-271	4		Screw, Machine
22	0624-022	4		Washer
23	0670-295	1		Valve, Check
24	0623-502	1		Clamp
25	0610-008	1	/P	Hose, Battery Vent
26	0623-063	1		Clamp, Hose
28	0645-045	6		Cap, Battery
29	0645-232	1	S	Battery (inc. 28)
30	0624-323	1		Clamp, Hose - Battery
31	0773-805	3		Tiedown (770)

1999 TS 770 R (W1999TSJRAUS-1999)
ENGINE AND RELATED ASSEMBLY

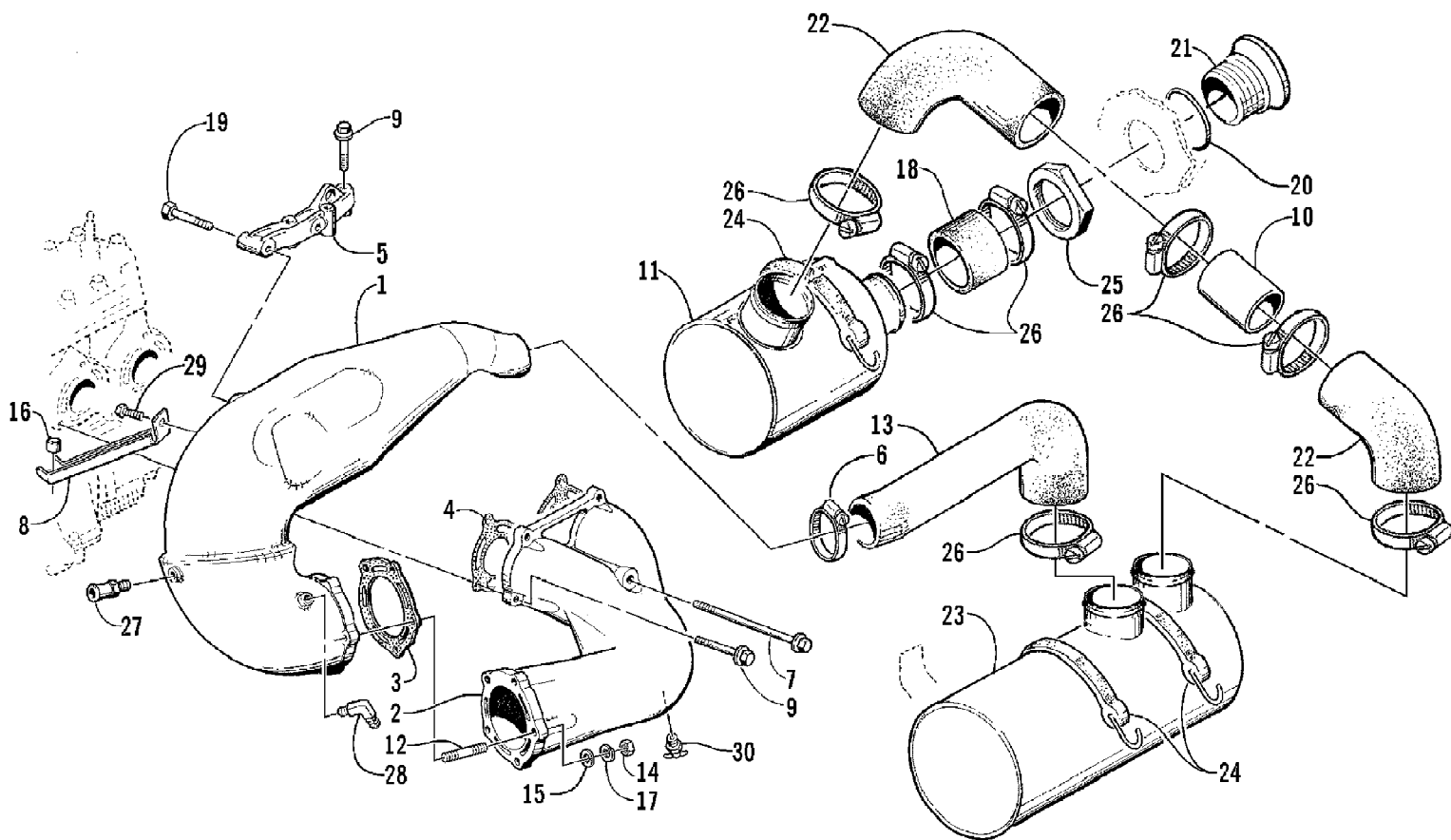


1999 TS 770 R (W1999TSJRAUS-1999)
ENGINE AND RELATED ASSEMBLY

Page 16 of 59

Ref #	Part Number	Qty	S/P/F	Description
1	0662-243	1	S	Engine, 770
2	0608-289	4		Damper, Engine
3	0624-225	8		Screw, Cap
4	0673-508	0	/P	Shim, Engine Mount - 0.125 in.
4	0673-509	0		Shim, Engine Mount - 0.063 in.
5	0624-014	0	/P	Shim - 0.5 mm
5	0624-015	0	/P	Shim - 1.5 mm
6	0624-406	4		Washer
7	3008-203	4	/P	Screw, Cap
8	3008-240	4		Screw, Cap
9	0624-465	8		Washer, Lock
10	0624-028	8		Washer
11	0608-176	1		Plate, Engine Mount
12	0624-447	1		Washer
13	0675-174	1		Coupler, Engine
14	0775-133	1		Seal, Driveshaft Assembly (inc. 15-19)
15	0675-161	2		. Bearing
16	0675-266	2	/P	. Seal, Driveshaft
17	0675-214	1	S	. Housing/Bearing - Floating
18	0710-214	1		. Hose, Coupler
19	1673-476	1		. Clamp, Shrink
20	0675-339	1		Fitting
21	0624-485	4		Washer, Lock
22	0624-390	1		Clamp, Hose
23	1673-697	1		Spacer
24	0775-124	1		Mount, Electrical Module
25	0775-128	1		Brace, Electrical Module Mount
26	0624-230	2		Screw, Cap
27	0624-448	1		Washer
28	0124-045	2	/P	Clamp, Hose
29	0610-015	0	/P	Hose, Grease - 100 ft
29	0610-016	0	/P	Hose, Grease - 25 ft
30	0675-338	1		Fitting, Elbow
31	0675-340	1		Fitting, Grease

1999 TS 770 R (W1999TSJRAUS-1999)
EXHAUST ASSEMBLY

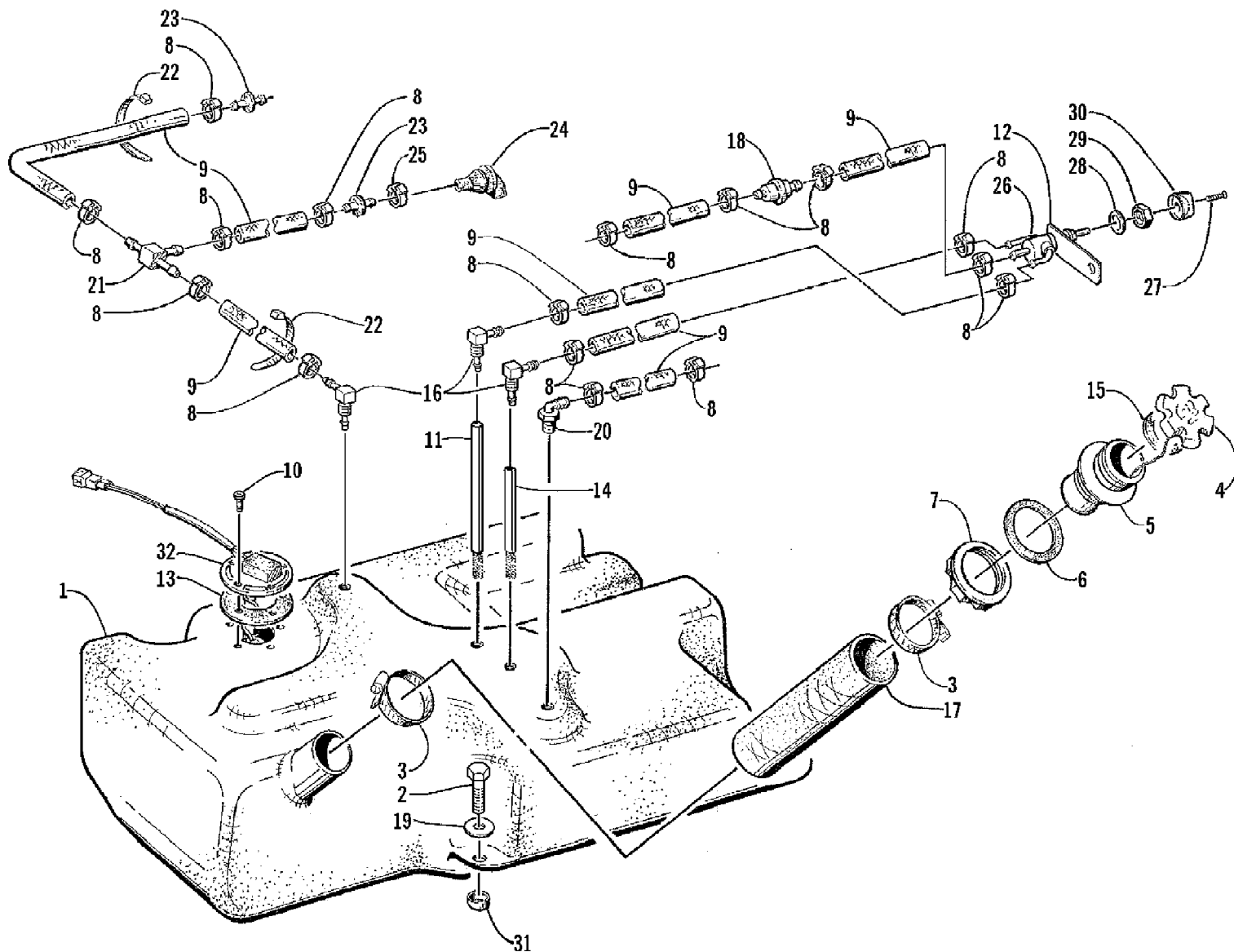


1999 TS 770 R (W1999TSJRAUS-1999)
EXHAUST ASSEMBLY

Page 18 of 59

Ref #	Part Number	Qty	S/P/F	Description
1	1612-137	1		Chamber, Expansion
2	0612-826	1		Manifold, Exhaust
3	0612-914	1	/P	Gasket, Expansion Chamber
4	3008-434	1		Gasket, Exhaust Manifold
5	1612-138	1		Bracket, Expansion Chamber
6	0624-390	1		Clamp, Hose
7	0624-344	1		Screw, Cap
8	0612-737	1		Brace, Expansion Chamber
9	0624-365	7		Screw, Cap
10	1612-153	1		Tube, Exhaust
11	0712-369	1		Muffler, Secondary
12	0624-383	5		Stud
13	0610-396	1		Hose, Exhaust-In
14	0624-149	5		Nut
15	0624-028	5		Washer
16	0624-420	1		Spacer
17	0624-027	5		Washer, Lock
18	0610-403	1		Hose, Exhaust
19	0624-367	2		Screw, Cap
20	0612-676	1		Gasket
21	0612-762	1	/P	Outlet, Exhaust
22	0610-393	2		Hose, Elbow
23	0712-370	1		Muffler
24	0773-805	3		Tiedown, Rubber
25	0612-576	1		Nut, Exhaust Outlet
26	0624-169	8		Clamp, Hose
27	0676-002	1		Fitting
28	1673-101	1	/P	Fitting, Elbow
29	0624-064	1		Screw, Cap
30	0676-017	1	S	Valve, Drain

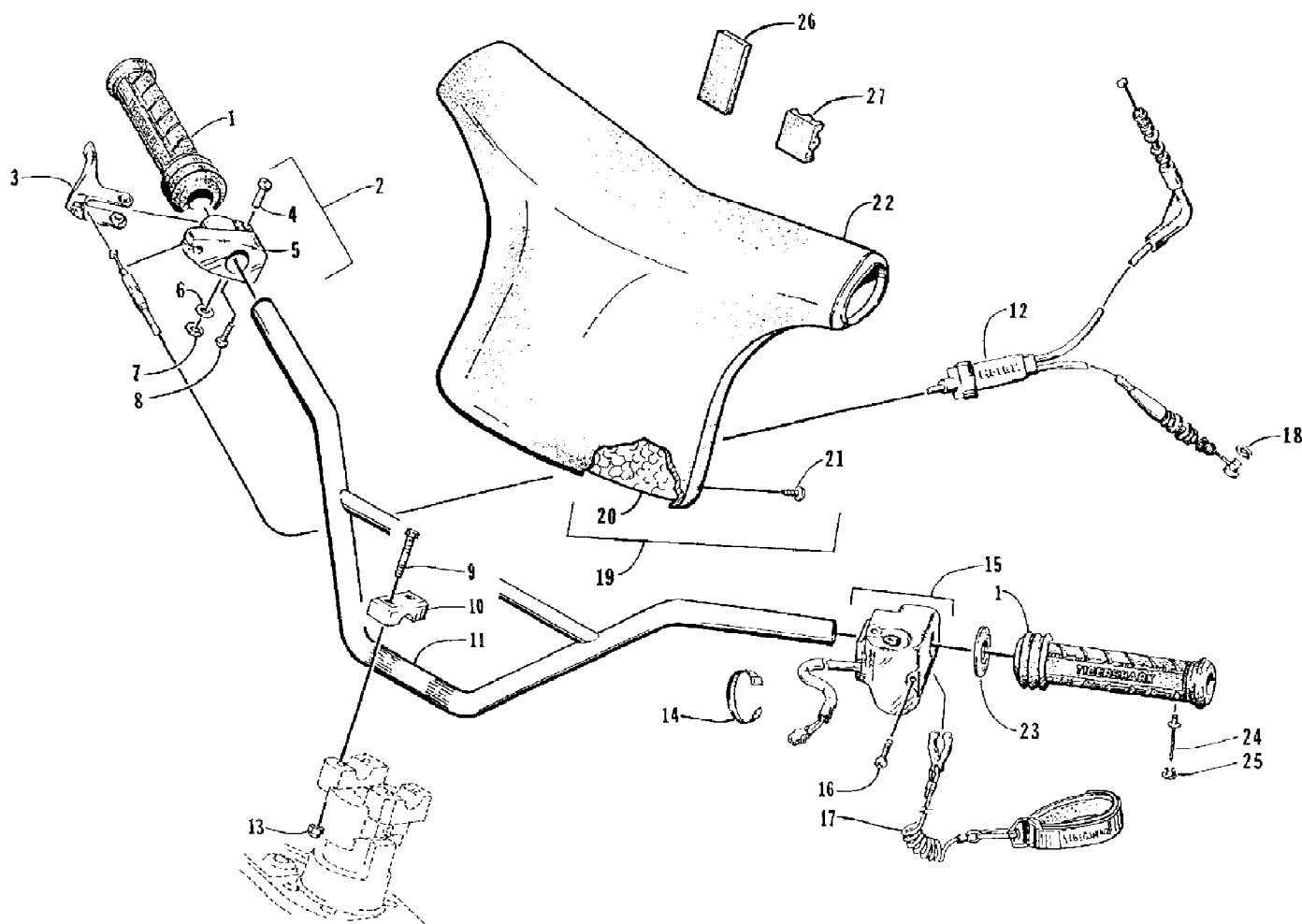
1999 TS 770 R (W1999TSJRAUS-1999)
FUEL TANK ASSEMBLY



1999 TS 770 R (W1999TSJRAUS-1999)
FUEL TANK ASSEMBLY

Page 20 of 59

Ref #	Part Number	Qty	S/P/F	Description
1	0770-330	1		Tank, Fuel - Assembly (inc. 2, 11, 14, 16, and 20) (770)
2	0624-087	4		Screw, Cap (770)
3	0624-390	2		Clamp, Hose
4	0670-582	1	S	Cap, Filler Neck
5	0670-901	1	S	Neck, Filler
6	0670-688	1		Seal, Filler Neck
7	0670-548	1		Nut, Filler Neck
8	0624-120	19		Clamp, Hose (770)
9	0710-425	0	/P	Hose, Fuel - 25 ft
10	0624-312	5		Screw, Machine
11	1673-055	1		Tube, Drop
12	1673-373	1		Plate, Backing - Fuel Valve (770)
13	0670-474	1		Gasket, Fuel Sensor
14	0670-854	1		Tube, Drop (770)
15	0670-689	1	S	Gasket, Filler Cap
16	0670-762	3		Fitting, Outlet (770)
17	0710-103	1		Hose, Filler
18	0510-335	2	/P	Filter, Fuel
19	0624-125	8	/P	Washer
20	0115-607	1	S	Fitting, Elbow
21	0109-332	1		Fitting, Tee
22	0123-788	2	/P	Tie, Cable
23	0610-059	2		Valve, Check
24	0673-755	1		Vent, Fuel
25	0623-063	1		Clamp, Hose
26	0670-710	1		Valve, Fuel Reserve (770)
27	0624-428	1		Screw, Machine (770)
28	0623-693	1		Washer, Nylon (770)
29	0623-687	1		Nut, Reserve Fuel (770)
30	1673-274	1		Knob, Reserve Fuel (770)
31	1673-327	4		Spacer, Fuel Tank
32	0620-180	1		Sensor, Fuel Level

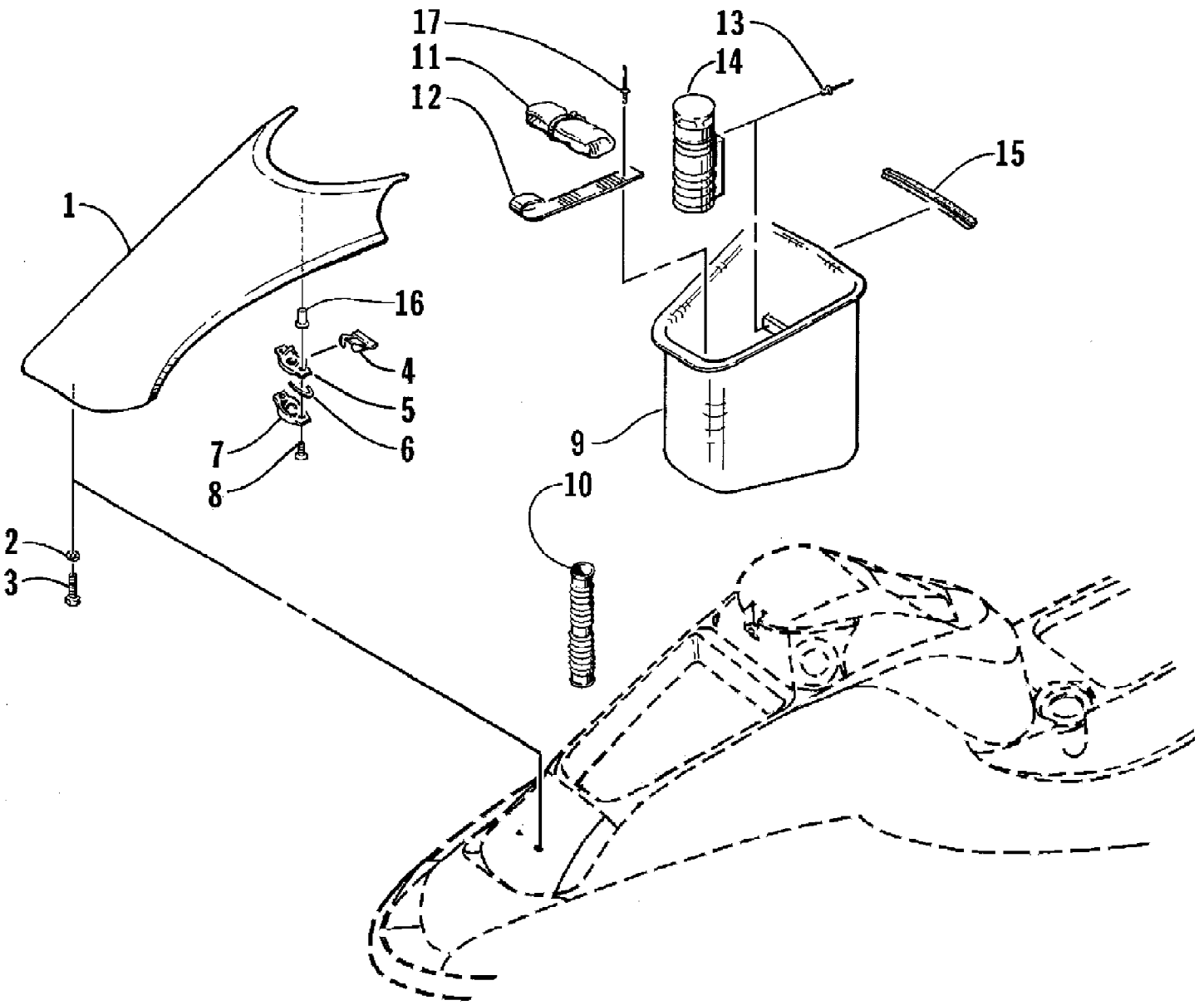


1999 TS 770 R (W1999TSJRAUS-1999)
HANDLEBAR ASSEMBLY

Page 22 of 59

Ref #	Part Number	Qty	S/P/F	Description
1	0673-990	2	S	Grip, Handlebar
2	0773-018	1		Throttle, Assembly (inc. 3-8)
3	0605-234	1		. Lever, Throttle
4	0605-236	1		. Pin, Throttle Lever
5	0605-235	1		. Housing, Throttle
6	0624-099	1		. Washer
7	0624-113	2		. C-Clip
8	0624-091	1		. Screw, Machine
9	0624-278	4		Screw, Cap
10	0673-282	2		Cap, Steering Adjuster
11	0705-291	1		Handlebar
12	0687-076	1		Cable, Throttle (770)
13	0624-250	4		Nut, Lock
14	0123-788	0	/P	Tie, Cable
15	0609-284	1		Switch, Start/Trim/Bilge (inc. 16)
16	0	3	F	. Screw, Machine
17	0609-427	1	S	Cord, Tether
18	0624-104	1		C-Clip
19	0773-914	1		Cover, Handlebar Assembly (inc. 20-22)
20	1673-602	1		. Pad, Handlebar
21	0624-506	4	/P	. Screw, Machine
22	0	1	F	. Cover, Handlebar Pad
23	1673-095	1		Washer, Rubber - Handlebar
24	0624-216	2		Rivet
25	1673-111	2		Plug
26	1673-624	1		Pad, Foam
27	0617-296	1		Spacer, Handlebar Pad - Foam

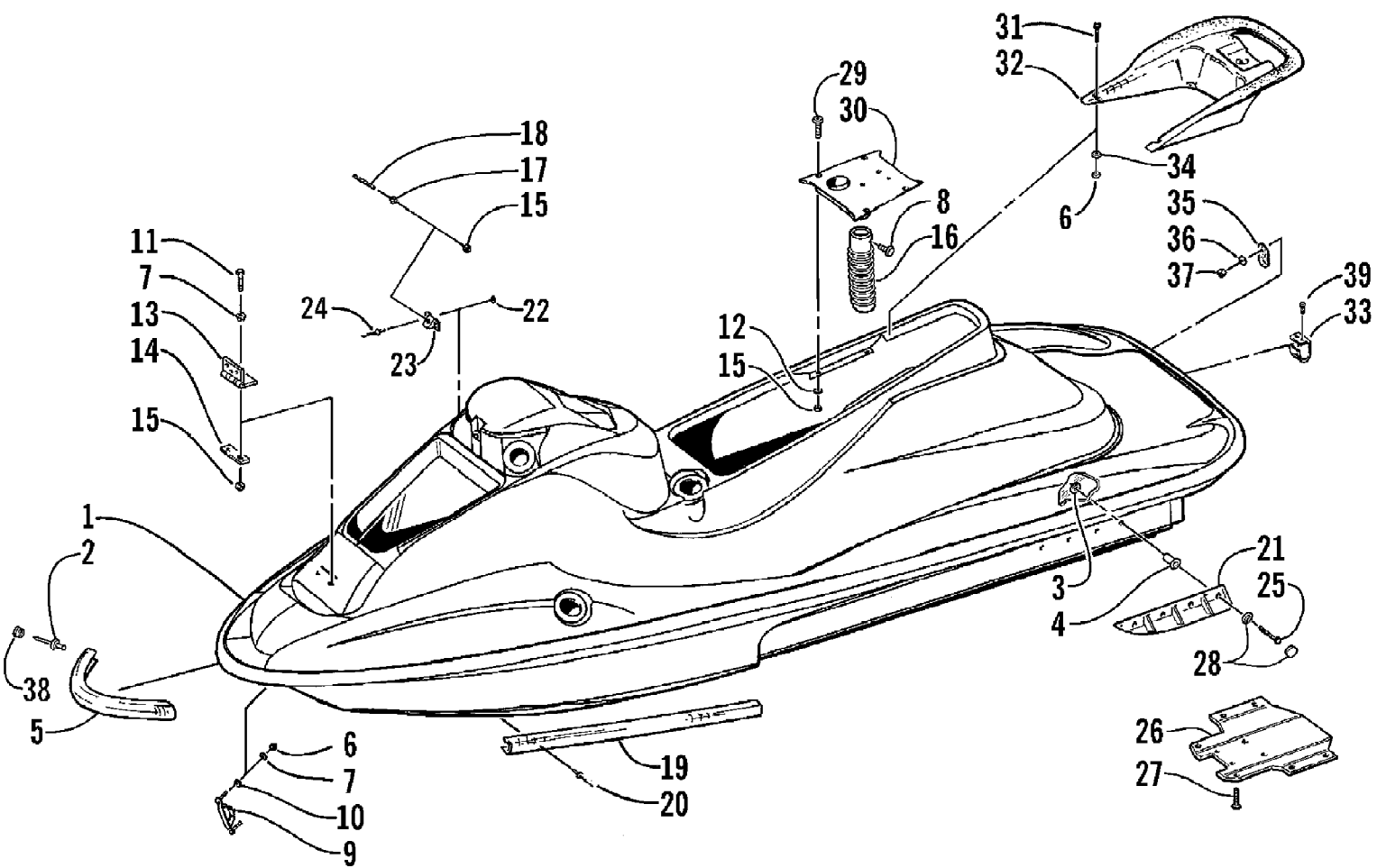
1999 TS 770 R (W1999TSJRAUS-1999)
HATCH COVER AND STORAGE TRAY



1999 TS 770 R (W1999TSJRAUS-1999)
HATCH COVER AND STORAGE TRAY

Page 24 of 59

Ref #	Part Number	Qty	S/P/F	Description
1	1673-643	1		Cover, Hatch
2	0624-115	5		Washer, Lock
3	0624-432	5		Screw, Self-Tapping
4	1673-459	1		Lever, Hatch Latch
5	1673-461	1		Housing, Upper - Hatch Latch
6	1673-465	1		Spring - Hatch Latch
7	1673-462	1		Housing, Lower - Hatch Latch
8	0624-138	2		Screw, Machine
9	1673-566	1	/P	Tray, Storage
10	0610-340	2		Hose, Air Intake
11	0678-399	1		Kit, Tool
12	0773-217	1		Tiedown, Tool Kit
13	0623-685	4		Rivet
14	1673-046	1		Tube, Fire Extinguisher
15	1673-567	1	/P	Seal, Hatch
16	0123-010	2	/P	Nut, Expansion
17	0773-973	1		Rivet

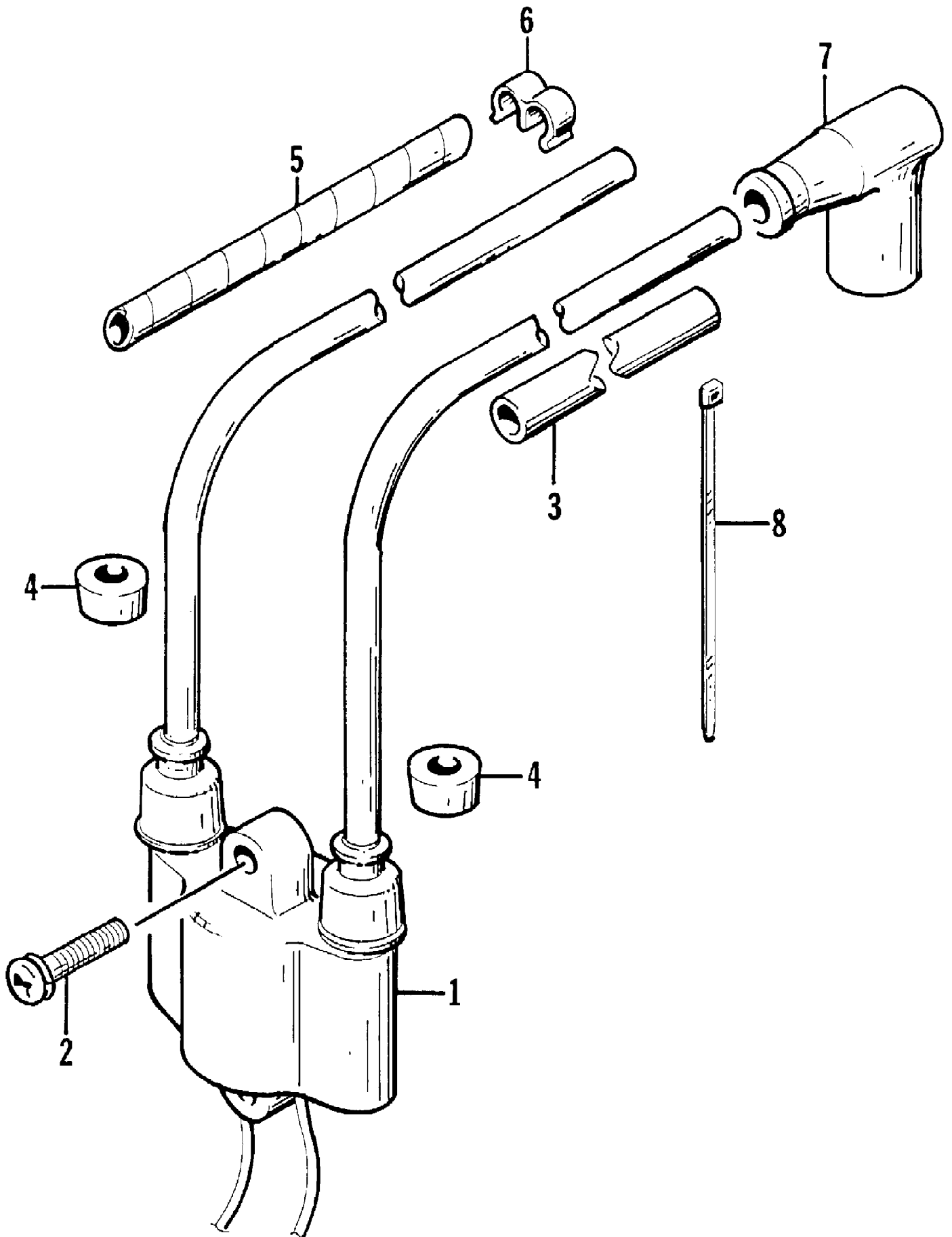


1999 TS 770 R (W1999TSJRAUS-1999)
HULL AND RELATED PARTS ASSEMBLY

Page 26 of 59

Ref #	Part Number	Qty	S/P/F	Description
1	0773-988	1		Hull/Deck - Assembly (770)
2	0623-636	2		Rivet
3	0624-293	8		Washer, Backup
4	0623-737	8		Insert, Brass
5	0773-979	1		Nosecone
6	0624-089	6		Nut, Lock
7	0624-182	4		Washer
8	0623-585	3		Clip, Christmas Tree
9	0773-516	1	/P	Boweye
10	0624-299	2		Washer, Sealing
11	0624-112	2	/P	Screw, Cap
12	0624-022	4		Washer
13	1673-032	1		Hinge, Hatch Assembly
14	1673-031	1		Plate, Backing - Hinge
15	0624-250	7		Nut, Lock
16	0610-400	1		Hose, Air Exhaust
17	0624-059	1		Nut
18	1673-467	1		Stud, Strike
19	0673-916	1	/P	Trim, Rub Rail - Starboard
19	0673-999	1		Trim, Rub Rail - Port
20	0624-068	48		Rivet
21	1673-582	1	/P	Sponson - Starboard
21	1673-583	1	/P	Sponson - Port
22	0624-004	4		Washer
23	1673-483	1		Strike, Hatch Cover
24	0624-072	4		Rivet
25	0624-271	8		Screw, Machine
26	1673-594	1		Plate, Ride
27	0624-186	4		Screw, Machine
28	0124-054	8	/P	Snap Cap w/Washer
29	0624-184	4		Screw, Machine
30	1673-480	1		Bridge, Seat
31	0624-187	4		Screw, Machine
32	1673-417	1		Handle, Grab
33	0673-975	1	/P	Cover, Rub Rail
34	0624-228	4		Washer
35	1673-083	1		Gasket, Eyehook
36	0624-159	2		Washer
37	0624-258	2		Nut, Lock
38	1673-687	2		Plug
39	0623-725	2	/P	Clip, Retaining - Black

1999 TS 770 R (W1999TSJRAUS-1999)
IGNITION COIL

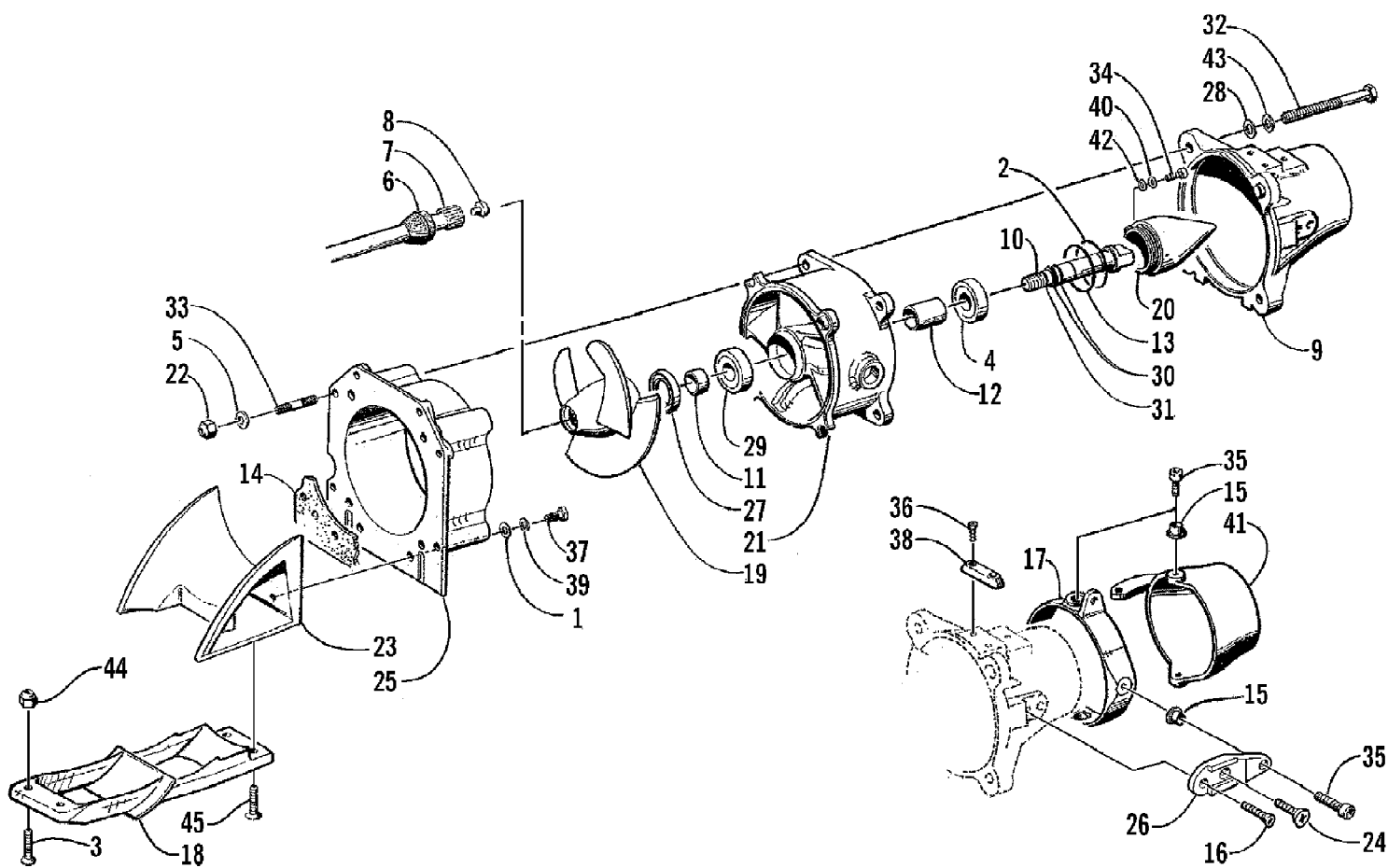


1999 TS 770 R (W1999TSJRAUS-1999)
IGNITION COIL

Page 28 of 59

Ref #	Part Number	Qty	S/P/F	Description
1	3008-532	1		Coil Assembly, Ignition
2	3008-402	2		Screw, Machine
3	3008-445	2		Tube
4	3008-334	2	/P	Grommet
5	3008-129	2	/P	Protector, Lead Wire
6	3008-045	1		Clip
7	3003-737	2	S	Cap Assembly, Spark Plug
8	3003-787	2		Tie, Cable

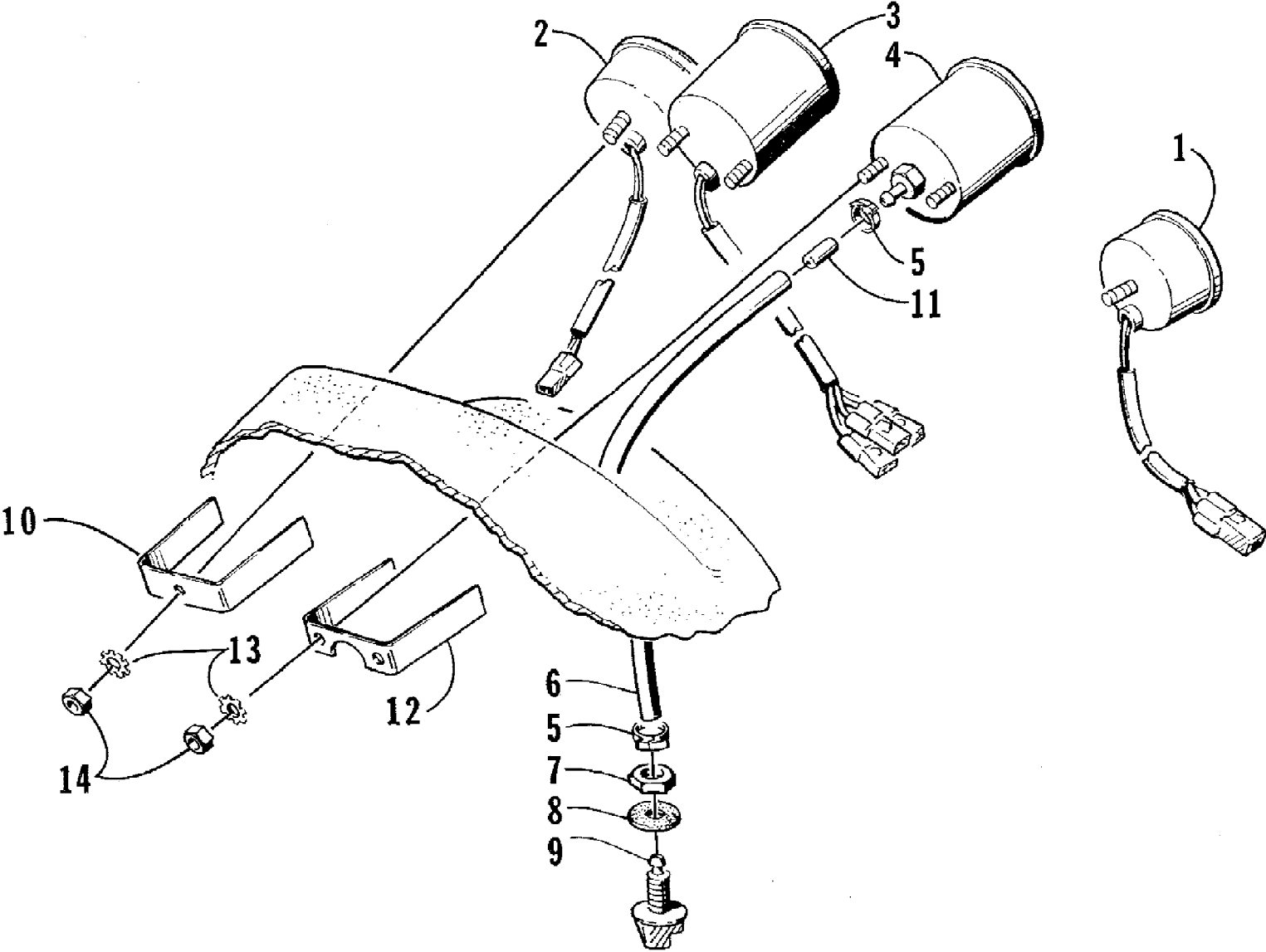
1999 TS 770 R (W1999TSJRAUS-1999)
IMPELLER DRIVE ASSEMBLY



1999 TS 770 R (W1999TSJRAUS-1999)
 IMPELLER DRIVE ASSEMBLY

Page 30 of 59

Ref #	Part Number	Qty	S/P/F	Description
1	0624-028	2		Washer
2	0675-078	1		O-Ring
3	0624-186	2		Screw, Machine
4	0673-609	1		Bearing (770)
5	0624-125	6	/P	Washer
6	0675-187	1		Grommet, Seal
7	0675-323	1		Driveshaft (770)
8	0673-618	1	/P	Bumper, Driveshaft
9	0675-325	1		Venturi (770)
10	0675-163	1	S	Shaft, Rear - Impeller
11	0675-085	1		Spacer, Impeller
12	0675-084	1		Spacer, Bearing
13	0675-273	1		O-Ring (770)
14	0675-331	1		Gasket, Pump
15	1673-593	4	/P	Bushing
16	0624-272	2		Screw, Machine
17	0675-150	1	S	Ring, Trim
18	0675-239	1		Grate, Inlet
19	0675-233	1		Impeller (770)
20	0675-146	1		Endcap, Stator (770)
21	0675-224	1	/P	Stator (770)
22	0624-090	6		Nut, Lock
23	0675-346	1		Ramp, Inlet (770)
24	0624-273	2		Screw, Machine
25	0775-129	1		Ring, Wear (770)
26	0673-786	2		Bracket, Trim Ring
27	0675-119	1	S	Seal
28	0624-008	4		Washer
29	0673-609	1		Bearing, Stator
30	0673-608	2		O-Ring
31	0673-607	1		O-Ring
32	0624-386	4		Screw, Cap
33	0624-319	6		Stud
34	0624-314	2		Screw, Cap (770)
35	0624-174	4		Screw, Cap
36	0624-184	2		Screw, Machine
37	0624-026	2		Screw, Cap
38	0624-084	1		Anode, Zinc
39	0624-027	2		Washer, Lock
40	0624-036	2		Washer, Lock (770)
41	0675-327	1		Nozzle, Steering
42	0624-022	2		Washer (770)
43	0624-012	4		Washer, Lock
44	0624-250	2		Nut, Lock
45	0624-183	2		Screw, Machine

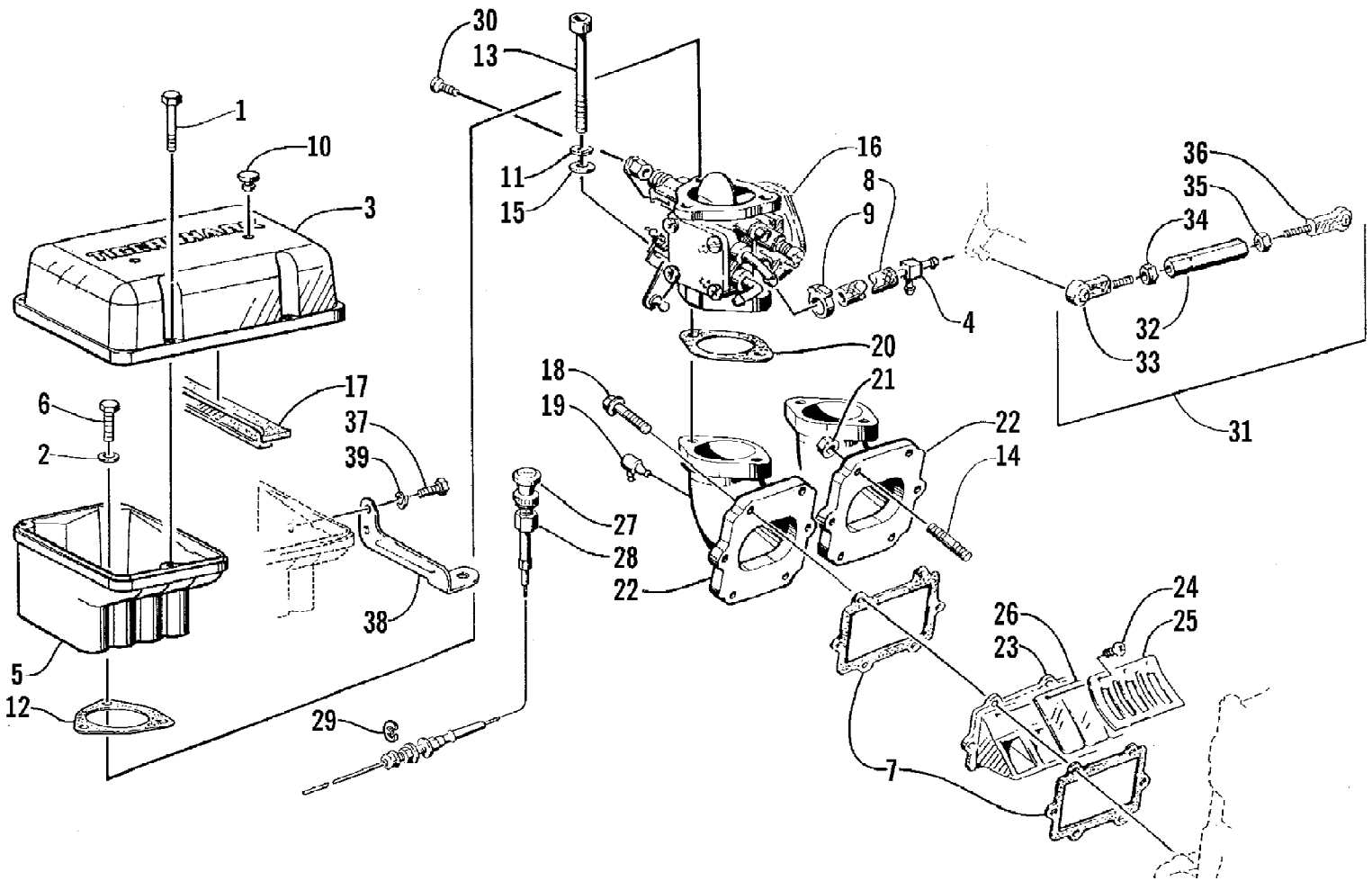


1999 TS 770 R (W1999TSJRAUS-1999)
INSTRUMENT ASSEMBLY

Page 32 of 59

Ref #	Part Number	Qty	S/P/F	Description
1	0620-232	1		Gauge, Trim
2	0620-228	1		Gauge, Fuel
3	0620-229	1		Tachometer (770)
4	0620-235	1		Speedometer
5	0624-323	2		Clamp, Hose
6	0673-809	0	/P	Tubing, Vinyl
7	0673-348	1		Nut, Pitot
8	0673-349	1		Seal, Pitot
9	1673-673	1	/P	Pitot
10	0620-173	2		Backclamp, Fuel Gauge/Trim Gauge
11	1673-427	1	/P	Fitting, Restrictor - Speedometer
12	0620-199	1		Backclamp, Speedometer
12	0620-201	1		Backclamp, Tachometer
13	0623-702	6		Washer, Star
14	0623-701	6		Nut

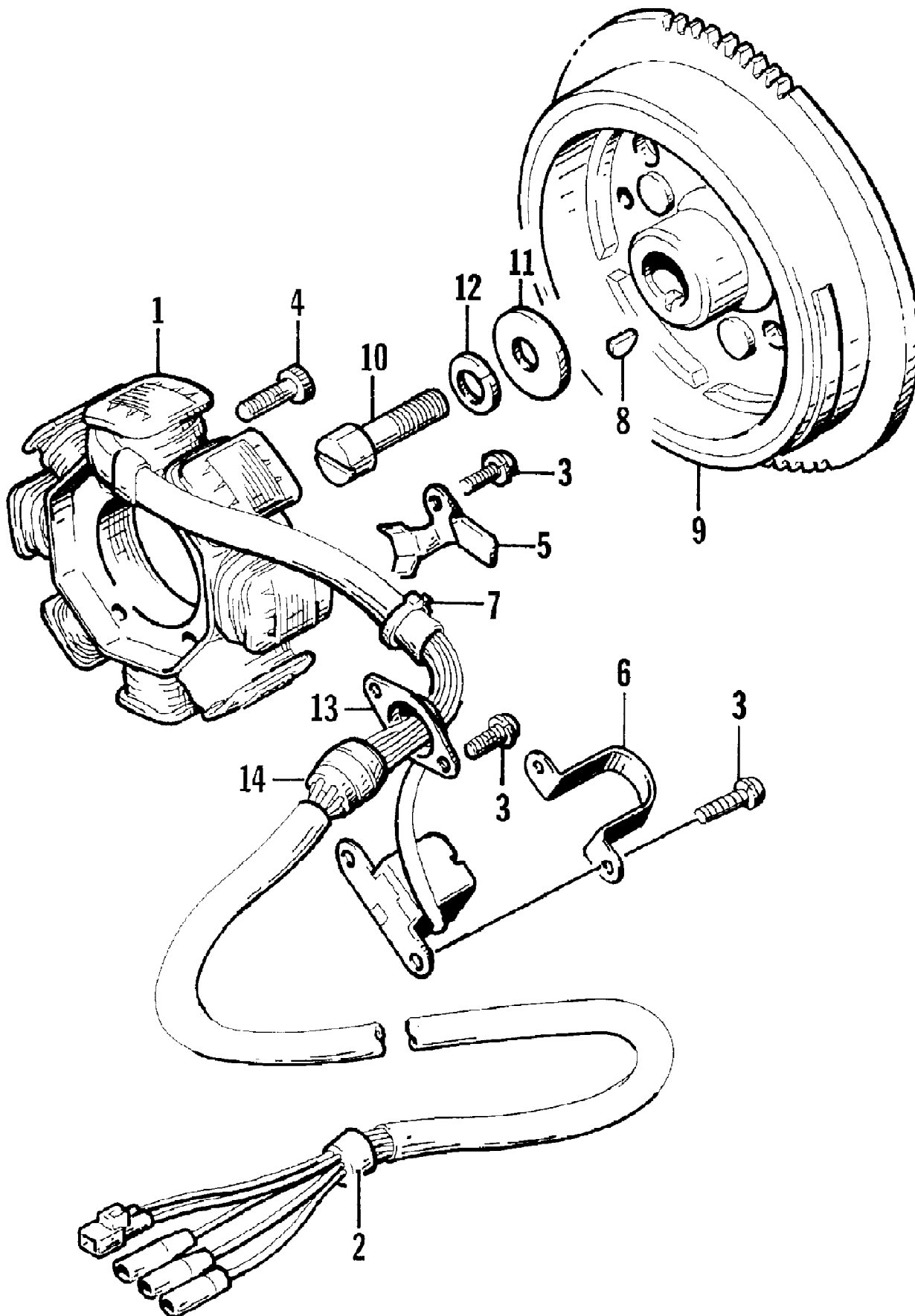
1999 TS 770 R (W1999TSJRAUS-1999)
INTAKE ASSEMBLY



1999 TS 770 R (W1999TSJRAUS-1999)
INTAKE ASSEMBLY

Page 34 of 59

Ref #	Part Number	Qty	S/P/F	Description
1	0624-408	6		Screw, Cap
2	0624-022	6		Washer
3	1673-255	1		Cover, Sound Attenuator
4	0109-332	1		Fitting, Tee
5	1673-375	1		Base, Sound Attenuator - MAG Side
5	1673-403	1		Base, Sound Attenuator - PTO Side
6	0624-112	6	/P	Screw, Cap
7	3008-076	4	S	Gasket, Reed Valve
8	0710-425	0	/P	Hose, Fuel - 25 ft
9	0624-380	8		Clamp, Hose
10	1606-038	2		Plug
11	0624-027	4		Washer, Lock
12	1673-179	2		Gasket, Sound Attenuator
13	0624-338	4	/P	Screw, Cap
14	0624-397	6		Bolt, Stud
15	0624-028	4		Washer
16	1670-043	1		Carburetor Assembly
17	0670-714	1		Seal, Strip - Sound Attenuator
18	3008-213	6	/P	Screw, Cap
19	3008-087	2	S	Valve, Check
20	1673-090	2		Gasket, Intake
21	0624-250	4		Nut, Lock
22	0670-725	2	/P	Manifold, Intake
23	3008-483	2		Reed Valve Assembly (inc. 24-26)
24	3004-422	12		. Screw
25	3008-074	4		. Stopper, Reed Valve
26	3008-075	4		. Valve, Reed
27	0687-094	1		Cable, Choke
28	0687-051	1	/P	Nut, Choke Cable
29	0624-268	1		E-Ring
30	6505-855	2		Screw, Machine
31	6505-927	1		Throttle Linkage (inc. 32-36)
32	6505-921	1	/P	. Adjuster, Throttle Linkage
33	6505-861	1		. End, Adjuster - Left
34	6505-859	1		. Nut - Left
35	6505-860	1		. Nut - Right
36	6505-858	1		. End, Adjuster - Right
37	0624-155	2		Screw, Cap
38	1673-430	1		Brace, Sound Attenuator
39	0624-200	2		Washer, Lock

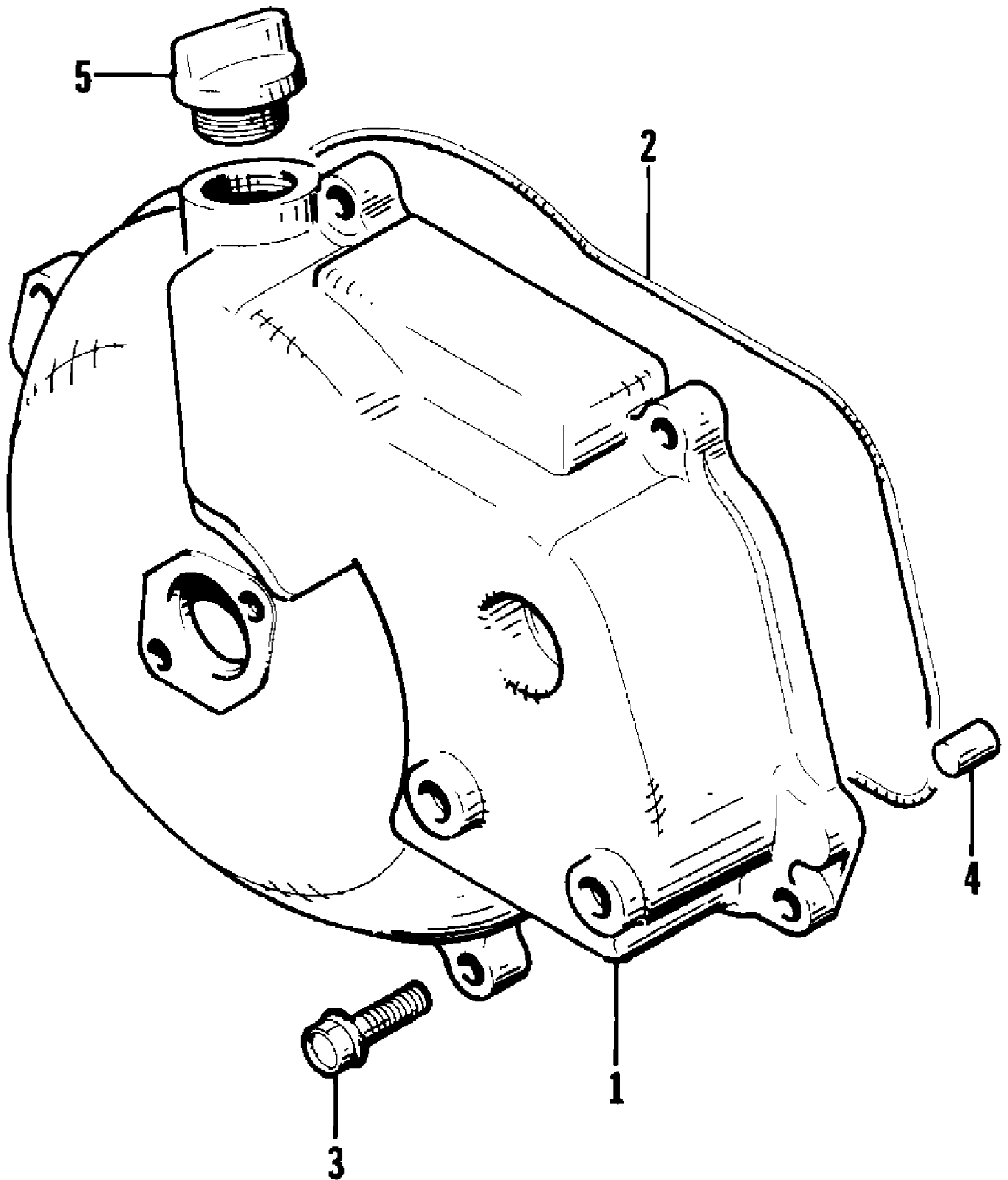


1999 TS 770 R (W1999TSJRAUS-1999)
MAGNETO

Page 36 of 59

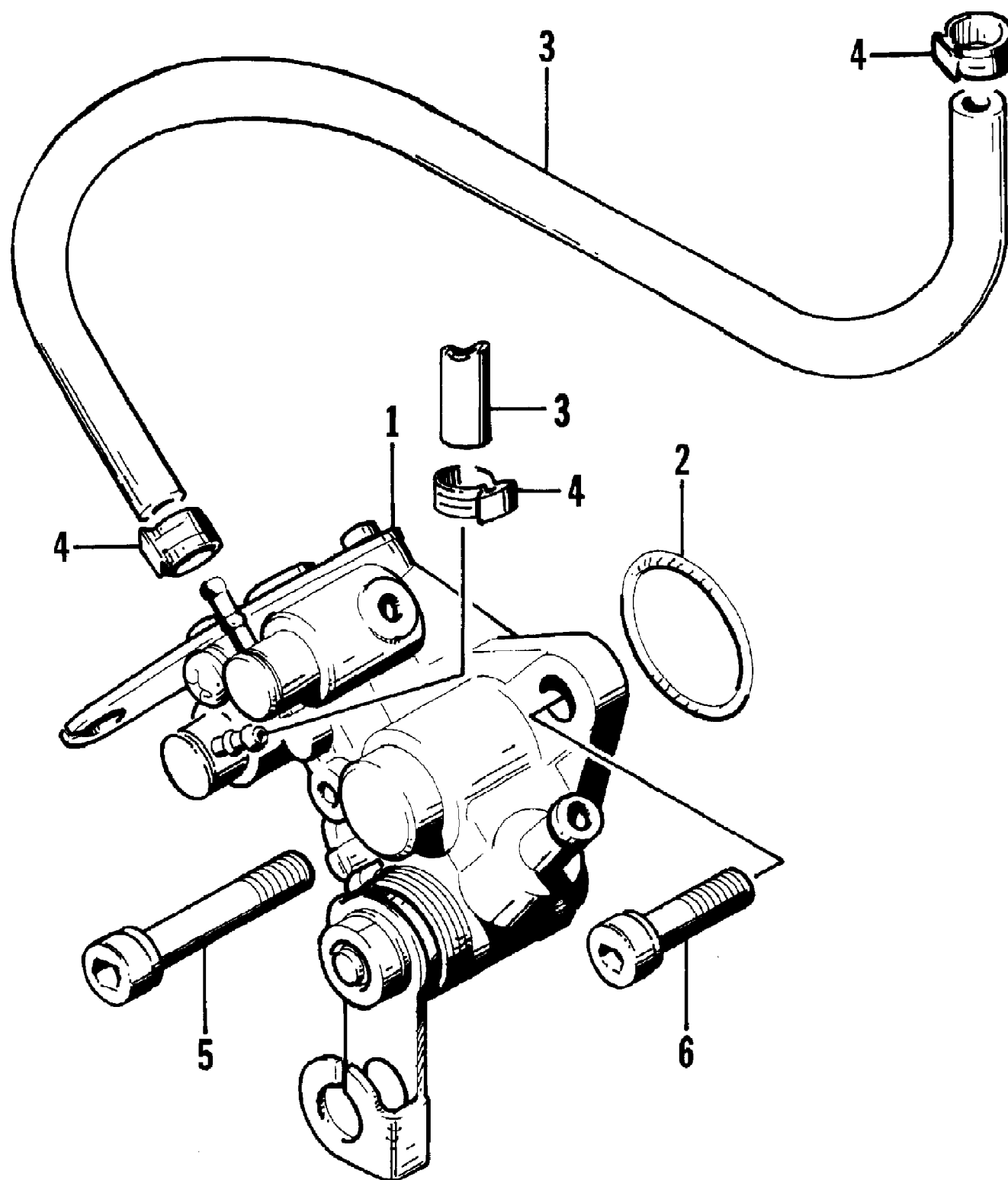
Ref #	Part Number	Qty	S/P/F	Description
1	3008-564	1	/P	Stator
2	3008-362	1	/P	Grommet
3	3004-706	5	S/P	Screw, Machine
4	3004-484	3	S	Screw, Cap
5	3008-109	1		Holder
6	3008-331	1	/P	Clamp
7	0693-275	1		Clamp
8	3004-540	1	/P	Key
9	3005-353	1	S	Flywheel
10	3008-388	1	S	Screw, Cap
11	3008-017	1		Washer
12	3004-362	1	S/P	Washer, Lock
13	3008-110	1		Holder, Grommet
14	3008-278	1		Grommet

1999 TS 770 R (W1999TSJRAUS-1999)
MAGNETO CASE



1999 TS 770 R (W1999TSJRAUS-1999)
MAGNETO CASE

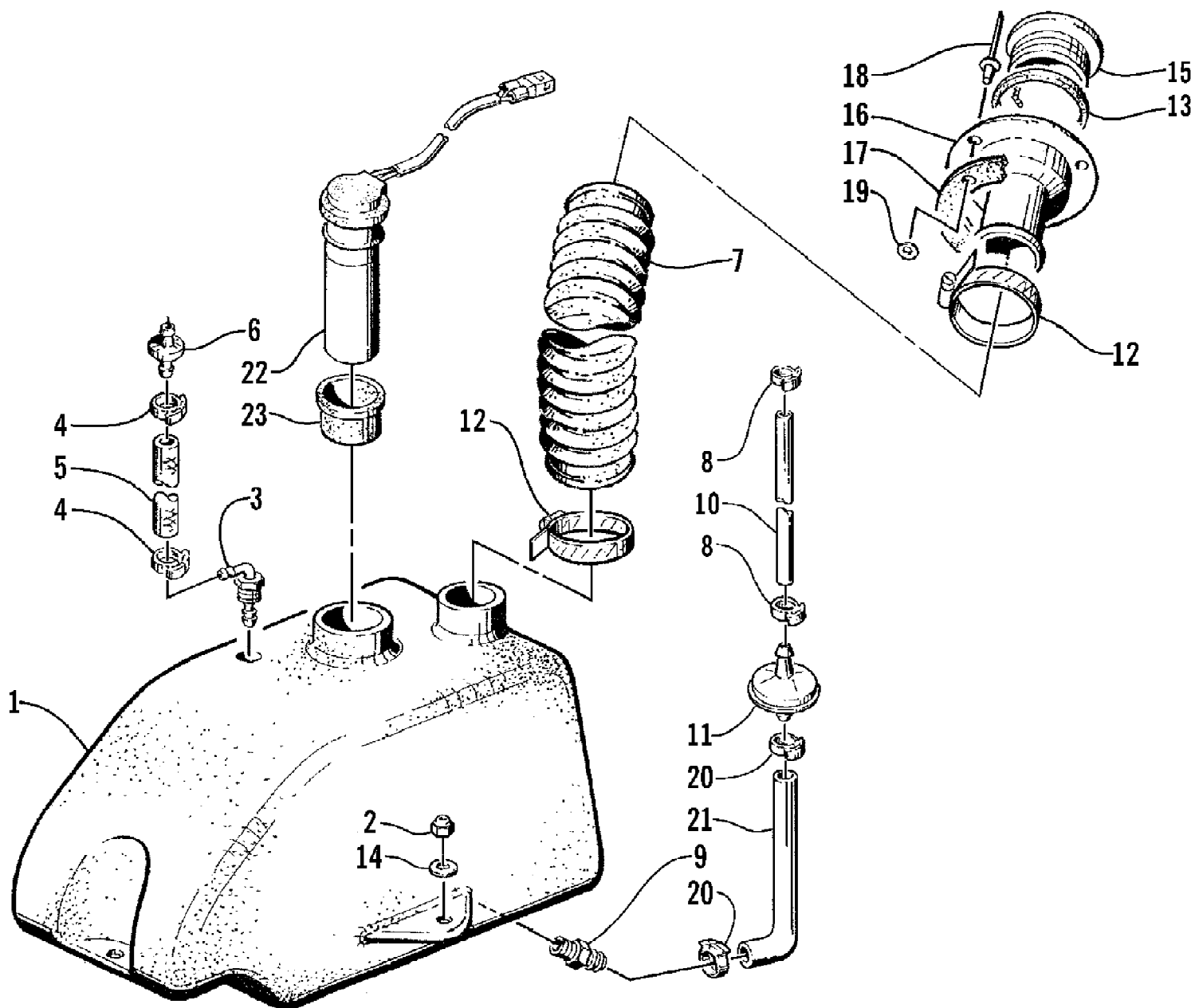
Ref #	Part Number	Qty	S/P/F	Description
1	3008-238	1	/P	Case, Magneto
2	3008-053	1		O-Ring
3	3008-213	6	/P	Screw, Cap
4	3008-146	2		Pin
5	3008-023	1		Plug



1999 TS 770 R (W1999TSJRAUS-1999)
OIL PUMP ASSEMBLY

Page 40 of 59

Ref #	Part Number	Qty	S/P/F	Description
1	3008-435	1		Oil Pump Assembly
2	3008-030	1		O-Ring
3	3008-035	2	/P	Hose
4	3008-037	4	/P	Clamp
5	3008-242	1		Screw, Cap
6	3008-243	1		Screw, Cap



1999 TS 770 R (W1999TSJRAUS-1999)
OIL TANK ASSEMBLY

Page 42 of 59

Ref #	Part Number	Qty	S/P/F	Description
1	0670-807	1	/P	Tank, Oil
2	0624-005	3	/P	Nut, Lock
3	0115-607	1	S	Outlet, Tank
4	0624-120	2		Clamp, Hose
5	0710-425	0	/P	Hose, Oil - 25 ft
6	0610-059	1		Valve, Check
7	0670-772	1		Hose, Oil Filler
8	0124-045	2	/P	Clamp, Hose
9	0673-983	1		Fitting, Tank
10	0610-016	0	/P	Hose, Oil - 25 ft
11	0673-998	1		Filter, Oil
12	0624-019	2		Clamp, Hose
13	0670-878	1		Seal, Oil Cap
14	0624-182	3		Washer
15	0670-877	1		Oil Cap Assembly
16	0670-697	1		Filler, Oil - Assembly (inc. 13 and 15)
17	0670-679	1		Seal, Oil Filler
18	8060-633	3	/P	Rivet
19	0623-603	3		Washer, Backup
20	0623-646	2		Clamp, Hose
21	0610-263	0		Hose, Oil
22	0620-225	1	/P	Sensor, Oil Level
23	0609-237	1		Seal, Grommet - Oil Sensor

No
Diagram
Available

Parts List
Only

1999 TS 770 R (W1999TSJRAUS-1999)
RELATED ITEMS

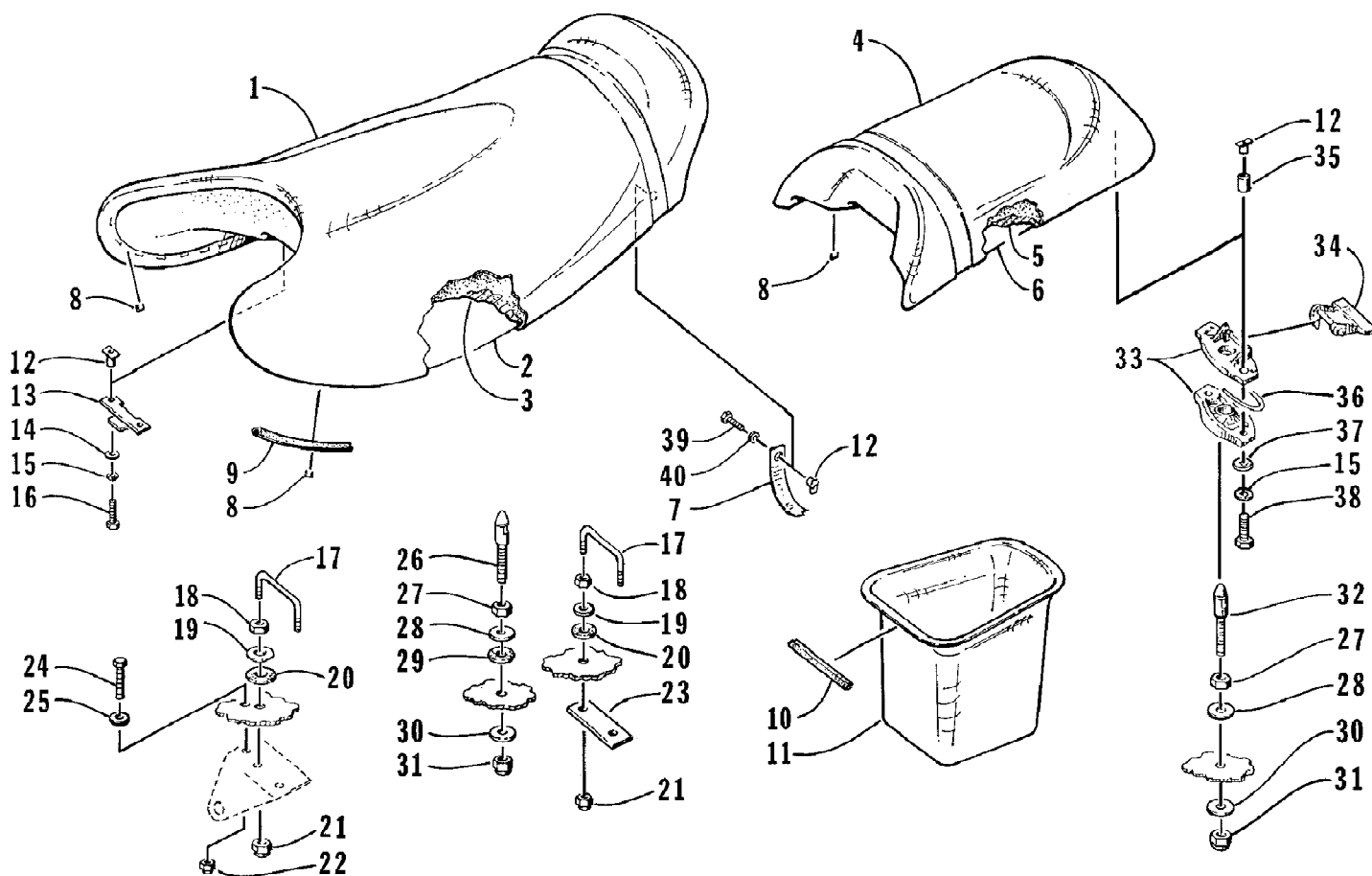
Page 44 of 59

Ref #	Part Number	Qty	S/P/F	Description
	0678-325	1	/P	Anchor Bag
	0678-546	1	/P	Anchor, Grapnel w/Float
	0678-363	1	/P	Beach Dolly
	0678-370	1		Bilge Cleaner
	0678-380	1		Buoy Set
	0678-026	1		Cleaner - Tigershark
	0678-271	1		Corrosion X
	0678-541	1	/P	Cover, Premium
	0678-120	1		Drive Unit Lube
	0678-023	1	S	Engine Fogger
	0678-272	1		Fiberglass Sealant
	0678-534	1	/P	Fire Extinguisher
	0678-006	1	/P	Flush Kit - Std. Backflush
	0678-258	1		Flush Kit - Std. Backflush w/Valve
	0678-514	1		Flush Kit, Dlx - Forward, 5/8" Coupler
	0678-032	1		Fuel Stabilizer
	0652-035	1	/P	Gelcoat, Red - 1 Quart
	0678-316	1		Gelcoat, Multicolor
	0678-389	1	/P	Grease Gun Cartridges, 3-Pack
	0678-348	1		Grease Gun Kit
	0678-209	1	S	Handlebar Grip, Adhesive Glue
	0678-219	1		Handlebar Grip, Black
	0678-137	1		Handlebar Grip, Purple
	0678-136	1		Handlebar Grip, Red
	0678-138	1		Handlebar Grip, Teal
	0678-287	1		Handlebar Grip, Yellow
	0678-362	1		Hourmeter, 2 1/16" Diameter
	0678-551	1		Hourmeter, Digital
	0678-364	1	/P	Lanyard, Red/Black
	0678-539	1		Lanyard, Blue/Yellow
	0678-390	1		Lanyard, Black/Yellow
	0678-538	1		Lanyard, Green/Blue
	0678-391	1		Lanyard, Purple/Yellow
	0678-364	1	/P	Lanyard, Red/Black
	0678-537	1		Lanyard, Teal/Yellow
	0678-392	1		Lanyard, Yellow/Black
	0678-180	1		Lift Harness
	0678-135	1		Lock, Start/Stop Switch
	2255-992	1		Manual, Operator's
	2256-126	1		Manual, Illustrated Parts
	2256-121	1		Manual, Service
	0678-547	1		Mirror Kit, Black
	0678-031	1		Octane Booster
	0678-312	1		Oil, Extreme - 55 Gallon Drum
	0678-288	1		Oil, Extreme - Gallon
	0678-289	1		Oil, Extreme - Quart
	0678-471	1		PWC Lift
	0678-550	1		Paddle w/Storage Case
	0652-084	1		Paint-Touchup, Red
	0678-185	1		Plug Caddy, Purple
	0678-149	1		Plug Caddy, Rivet On
	0678-533	1		Registration Letters, Black/Silver,Block Style
	0678-470	1		Registration Letters, Carbon Fiber,Block Style

1999 TS 770 R (W1999TSJRAUS-1999)
RELATED ITEMS

Page 45 of 59

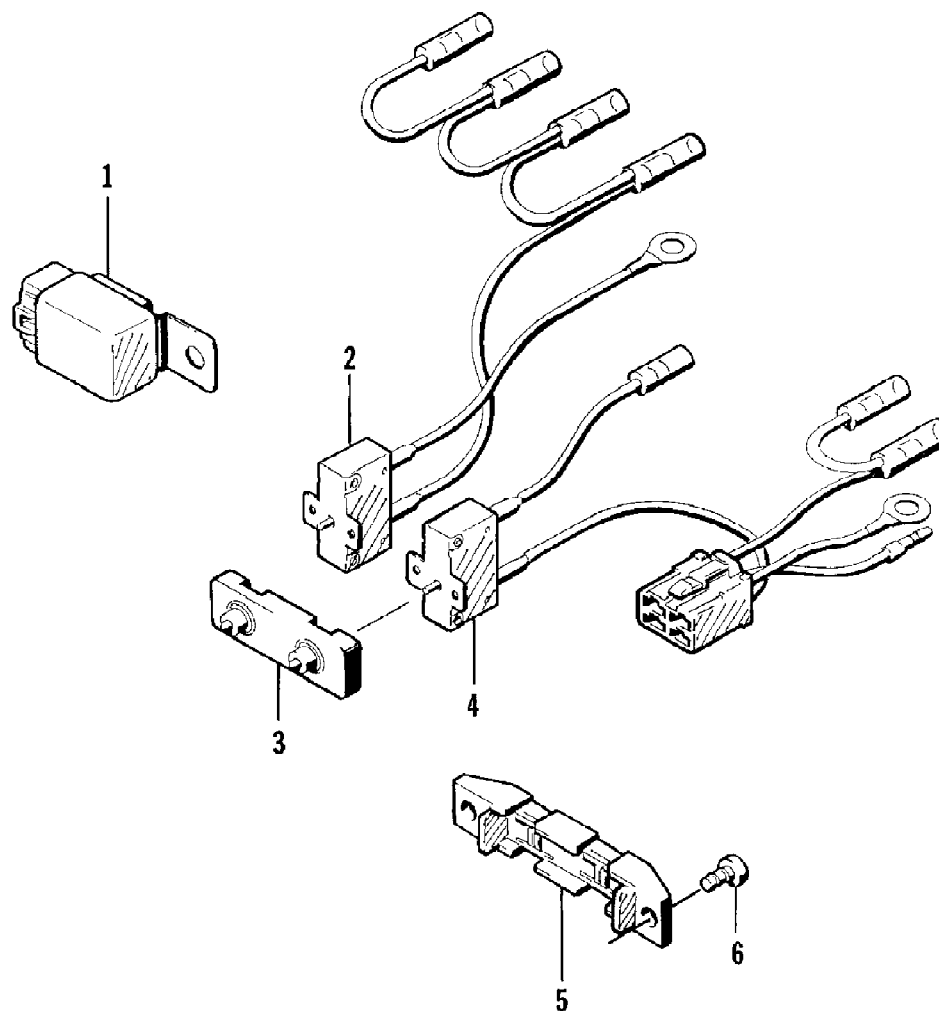
Ref #	Part Number	Qty	S/P/F	Description
	0678-360	1		Registration Letters, Gold/Black
	0678-263	1		Registration Letters, Purple/Yellow
	0678-361	1		Registration Letters, Red/Black
	0678-532	1		Registration Letters, Red/Black,Block Style
	0678-177	1		Registration Letters, Red/Purple
	0678-262	1		Registration Letters, Red/Yellow
	0678-178	1		Registration Letters, Teal/Purple
	0678-358	1		Rope - Mooring, Black
	0678-357	1		Rope - Mooring, Blue
	0678-052	1	/P	Rope - Mooring, Purple
	0678-054	1		Rope - Mooring, Red
	0678-053	1		Rope - Mooring, Teal
	0678-189	1	/P	Rope - Nylon, w/Clips
	0678-406	1	/P	Rope - Toy Connector, Purple
	0678-407	1		Rope - Toy Connector, Red
	0678-402	1	/P	Rope - Water Toy, 60 ft, Purple
	0678-403	1	/P	Rope - Water Toy, 60 ft, Red
	0678-457	1	/P	Rope - Water Ski, 60 ft, Purple
	0678-458	1	/P	Rope - Water Ski, 60 ft, Red
	0678-236	1		Shark Rope
	0678-469	1		Shark Stand
	0678-374	1		Stor-Tech(tm) Plugs 2/Pkg
	0678-371	1		Tie Down, 2-Hook, Purple
	0678-372	1		Tie Down, 2-Hook, Red
	0678-536	1		Tie Down, 3-Hook, Red
	0678-105	1		Tool Kit
	0678-463	1		Tube, Hydroshark - 2 Up
	0678-462	1		Tube, Hydroshark - 60"
	0678-464	1		Water Ski - Combo Set
	0678-393	1		Waterproof Bag
	0678-025	1		Wax - Tigershark



1999 TS 770 R (W1999TSJRAUS-1999)
SEAT ASSEMBLY

Page 47 of 59

Ref #	Part Number	Qty	S/P/F	Description
	0773-960	1		Complete Seat Assembly, FORWARD
	0773-961	1		Complete Seat Assembly, AFT
1	0773-963	1		Cover, Seat - Forward
2	1673-437	1		Base, Seat - Forward
3	0773-872	1		Foam, Seat - Forward
4	0773-962	1		Cover, Seat - Aft
5	0773-873	1		Foam, Seat - Aft
6	1673-438	1		Base, Seat - Aft
7	1673-497	1		Strap, Seat - Forward
7	1673-535	1		Strap, Seat - Aft
8	0624-263	0		Staple
9	1673-556	1		Seal, Seat Base - Forward
10	1673-557	1	F	Seal, Cooler
11	1673-443	1	F	Cooler, Rear
12	0624-396	12		Tee Nut
13	0673-668	2		Catch, Seat
14	0624-182	2		Washer, Forward
15	0624-036	8		Washer, Lock
16	0624-046	4		Screw, Cap
17	0624-262	2	F	U-Bolt, Seat
18	0624-061	4	F	Nut
19	0624-125	4	/P/F	Washer
20	0624-126	4	F	Washer, Rubber
21	0624-090	4	F	Nut, Lock
22	0624-089	1	F	Nut, Lock
23	0673-752	1	F	Plate, Backing - Aft
24	0624-271	1	F	Screw, Cap
25	0624-299	1	F	Washer, Sealing
26	1673-383	1	/P/F	Stud, Latch - Seat - Forward
27	0624-047	2	F	Nut
28	0624-159	2	F	Washer
29	0623-391	1	F	Washer, Rubber - Forward
30	0624-013	2	F	Washer
31	0624-009	2	F	Nut, Lock
32	1673-454	1		Stud, Latch - Seat - Aft
33	0773-941	2	/P	Seat Latch Housing Assembly
34	1673-453	1		Lever, Release - Seat Latch - Forward
34	0673-026	1		Lever, Release - Seat Latch - Aft
35	0623-698	4		Spacer - Seat Latch
36	0673-023	2		Clip, Retaining - Seat Latch
37	0624-022	4		Washer
38	0624-302	4		Screw, Cap
39	0624-272	4		Screw, Cap
40	0624-293	4		Washer

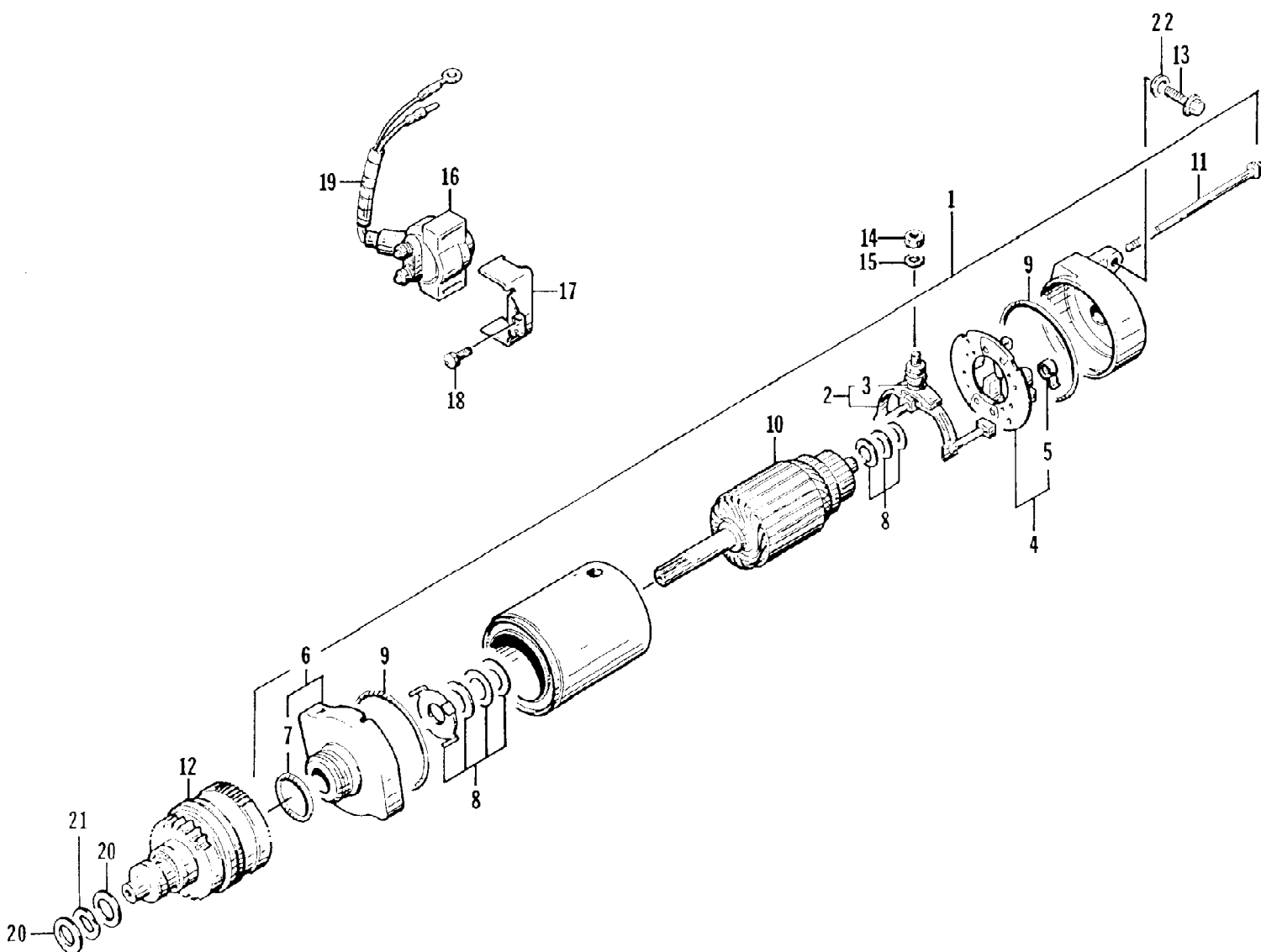


1999 TS 770 R (W1999TSJRAUS-1999)
SENSOR ASSEMBLY

Page 49 of 59

Ref #	Part Number	Qty	S/P/F	Description
1	3008-297	1	/P	Relay
2	3008-348	1	S	Protector, Circuit Charge
3	3008-351	1		Cap, Circuit Protector
4	3008-350	1	/P	Protector, Circuit Load
5	3008-294	1	/P	Holder, Circuit Protector
6	3008-313	2		Screw, Machine

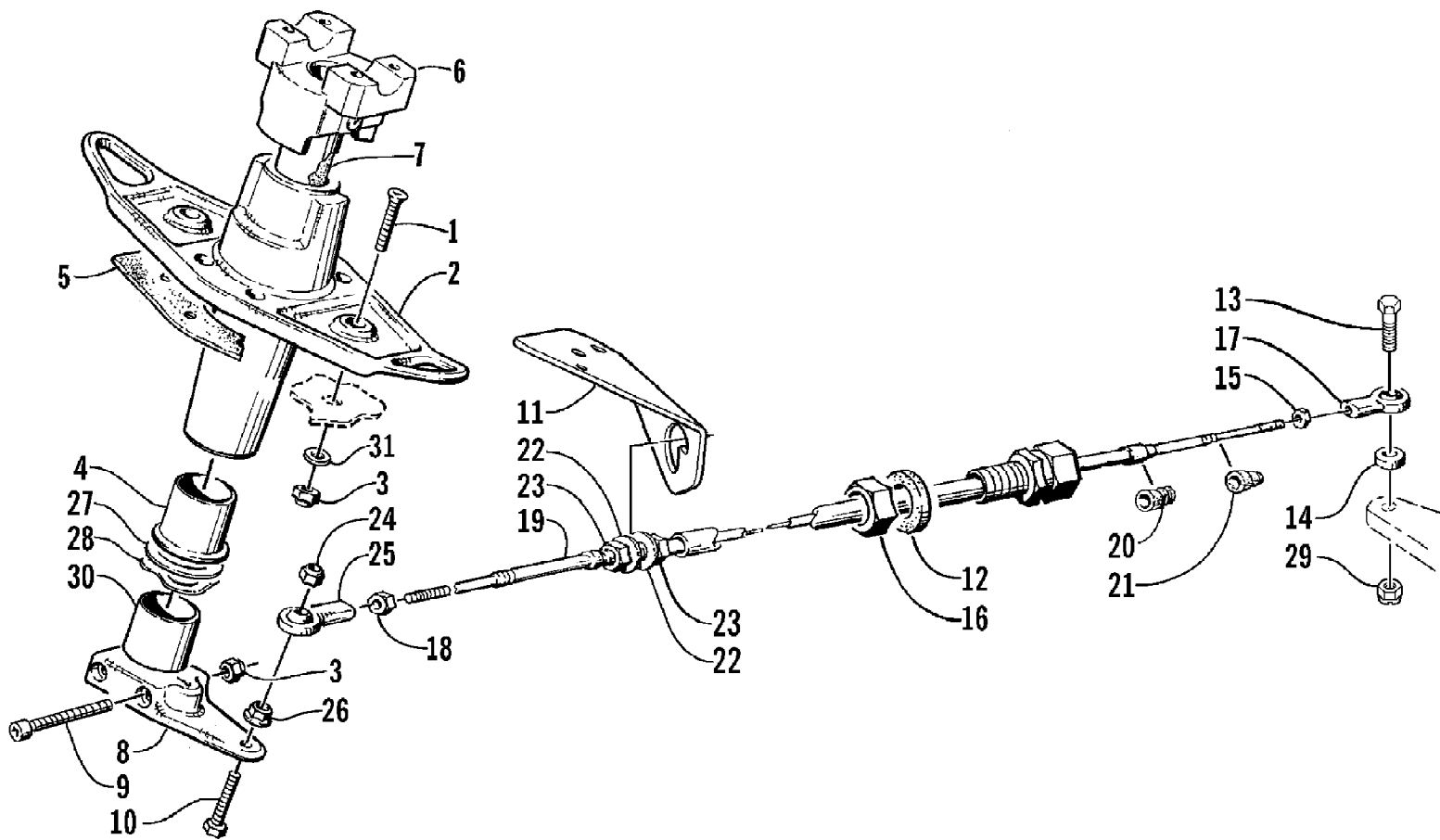
1999 TS 770 R (W1999TSJRAUS-1999)
STARTER MOTOR ASSEMBLY



1999 TS 770 R (W1999TSJRAUS-1999)
STARTER MOTOR ASSEMBLY

Page 51 of 59

Ref #	Part Number	Qty	S/P/F	Description
1	3008-462	1		Starter Motor Assembly (inc. 2-11)
2	3008-094	1	/P	. Terminal Set, Brush (inc. 3)
3	3008-164	1		. . O-Ring
4	3008-095	1	/P	. Holder Set, Brush (inc. 5)
5	3008-096	4		. . Spring, Brush
6	3008-328	1	/P	. Front Bracket Assembly (inc. 7)
7	3008-363	1	/P	. . O-Ring
8	3008-099	2		. Washer Set
9	3008-553	2	/P	. O-Ring
10	3008-103	1		. Armature
11	3008-102	2		. Screw, Cap
12	3008-387	1	/P	Pinion Assembly
13	3008-463	2		Screw, Cap
14	3008-014	1		Nut
15	3008-020	1		Washer
16	3008-165	1	/P	Relay
17	3008-140	1		Bracket
18	3008-313	2		Screw, Cap
19	3008-135	1	S	Tube
20	3008-480	2	/P	Washer
21	3008-537	1		Washer
22	3008-420	2	/P	Washer

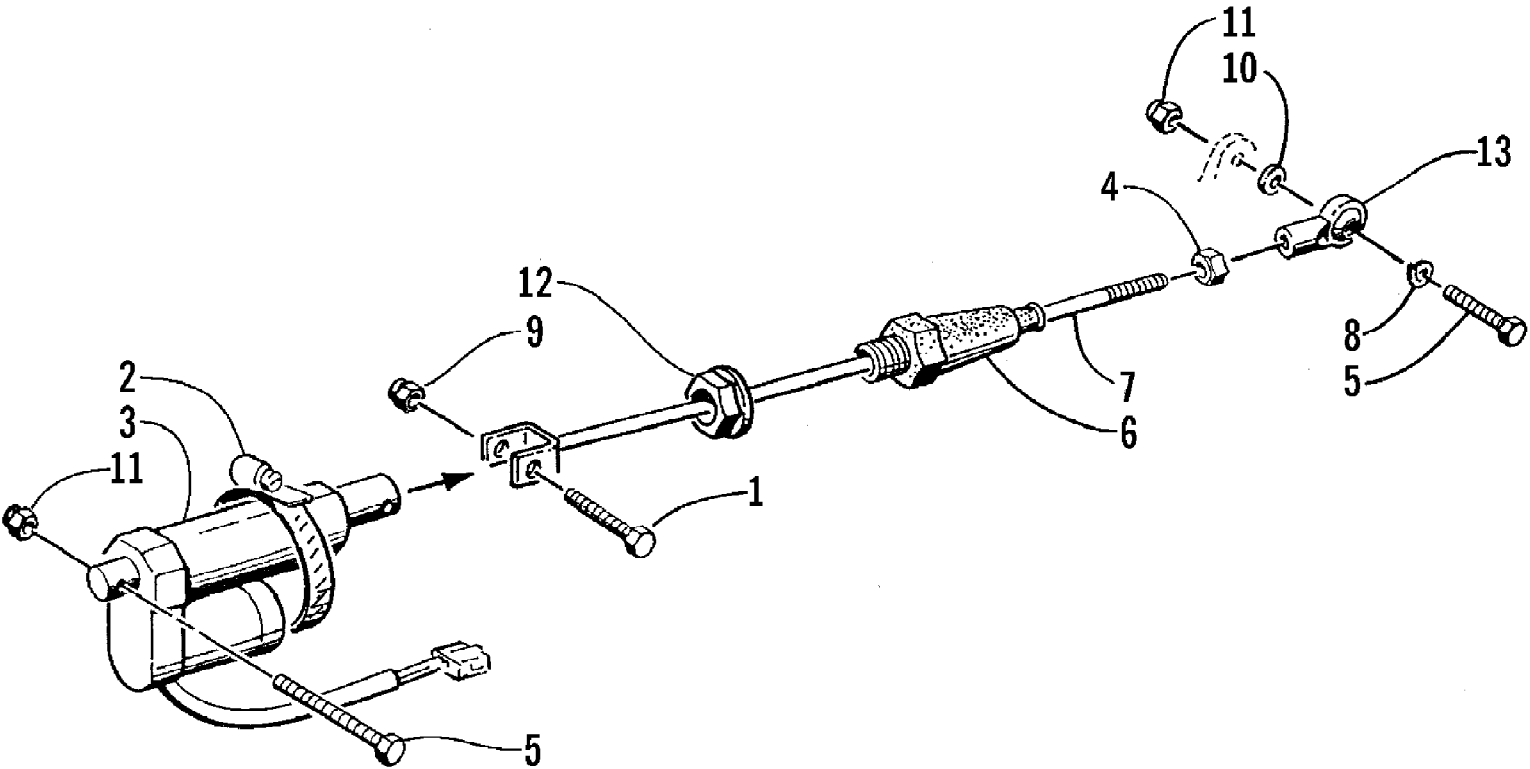


1999 TS 770 R (W1999TSJRAUS-1999)
STEERING POST ASSEMBLY

Page 53 of 59

Ref #	Part Number	Qty	S/P/F	Description
1	0624-464	6		Screw, Machine
2	0605-426	1		Bearing, Housing
3	0624-250	8		Nut, Lock
4	0605-055	2		Bearing, Flange
5	0605-391	1		Seal
6	0605-419	1		Post, Steering
7	0717-052	0	/P	Foam, Neoprene Tape
8	0605-072	1		Arm, Steering
9	0624-456	2	/P	Screw, Cap
10	0624-476	1		Screw, Cap
11	0605-415	1		Bracket, Steering Cable
12	1673-193	1		Gasket, Cable - Foam
13	0624-337	1		Screw, Cap
14	0624-381	1		Spacer
15	0624-279	1		Nut
16	0623-669	1		Nut
17	0673-932	1		End, Steering Cable
18	0624-107	1		Nut
19	1673-355	1		Cable, Steering
20	0612-364	1		Cover, Thread Cap - Steering Cable
21	0612-363	1		Seal, Rod
22	0624-106	2		Washer
23	0624-105	2		Nut
24	0624-089	1		Nut, Lock
25	0673-931	1		End, Steering Cable
26	0624-233	1		Nut, Flange
27	0624-468	2		Washer
28	0624-469	2		Washer, Wave
29	0624-114	1		Nut, Lock
30	0605-421	1		Spacer, Steering Post
31	0624-182	6		Washer

1999 TS 770 R (W1999TSJRAUS-1999)
TRIM ASSEMBLY

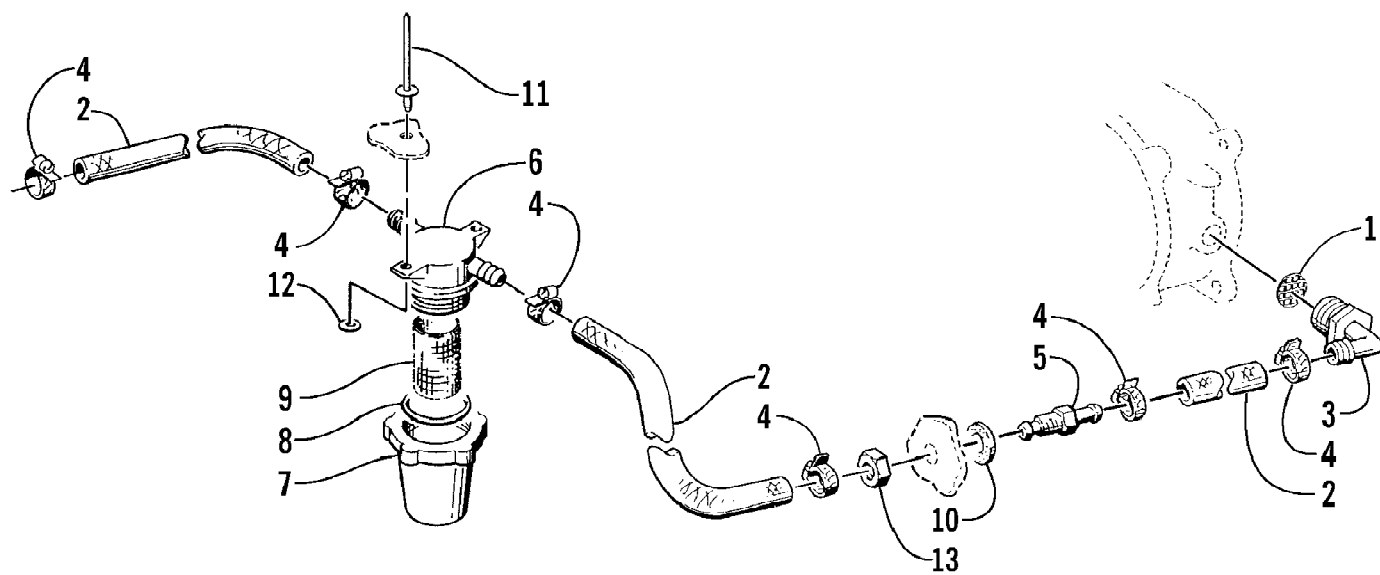


1999 TS 770 R (W1999TSJRAUS-1999)
TRIM ASSEMBLY

Page 55 of 59

Ref #	Part Number	Qty	S/P/F	Description
1	0624-056	1		Screw, Cap
2	0624-019	1		Clamp, Hose
3	1673-656	1		Actuator, Trim
4	0624-279	1		Nut
5	0624-231	2		Screw, Cap
6	1673-371	1		Boot, Trim Rod
7	0773-864	1		Rod, Trim
8	0624-022	1		Washer
9	0624-250	1		Nut, Lock
10	1673-049	1		Spacer
11	0624-089	2		Nut, Lock
12	0623-648	1		Nut, Brass
13	0673-932	1		End, Rod

1999 TS 770 R (W1999TSJRAUS-1999)
WATER FILTER ASSEMBLY

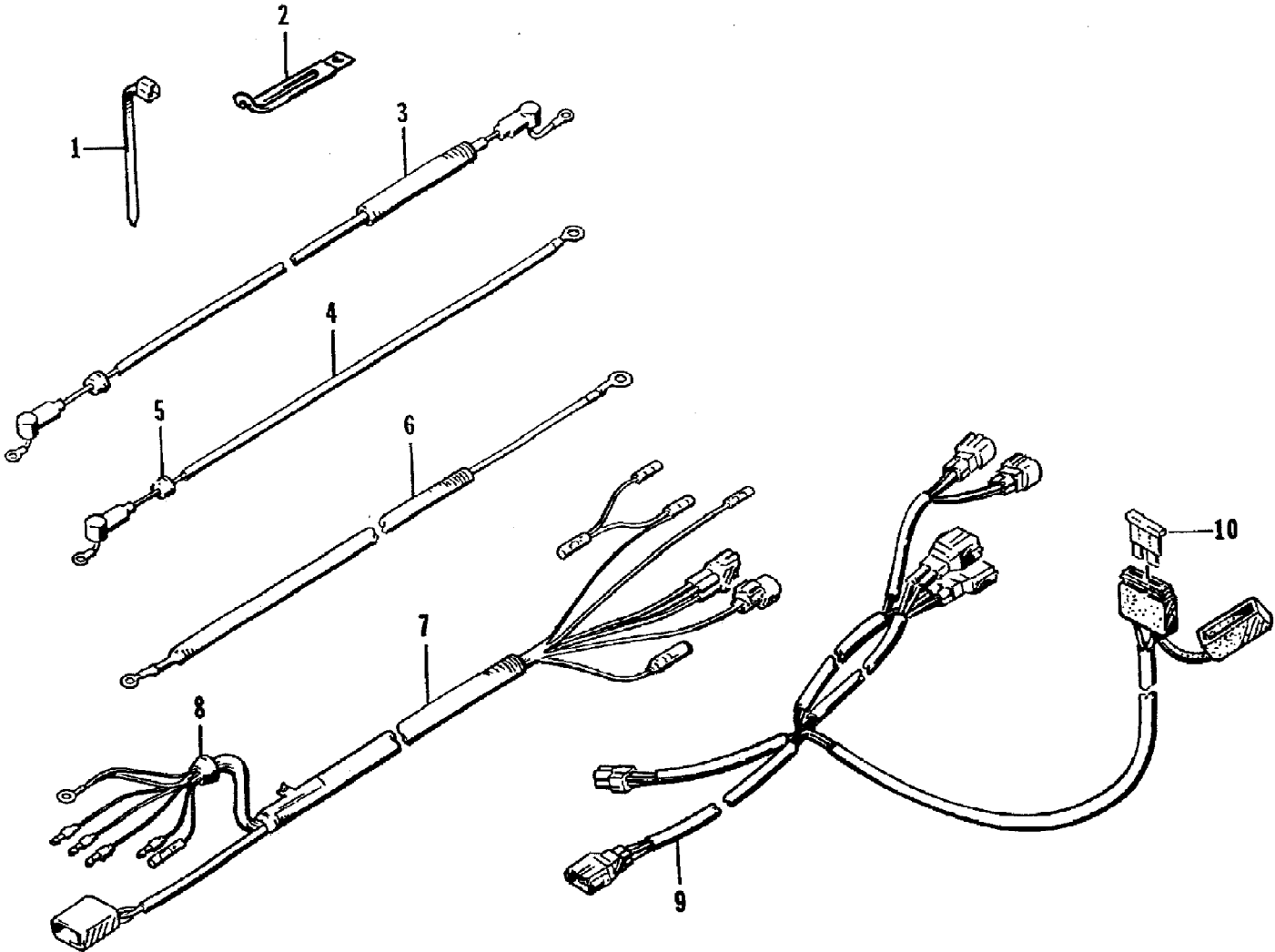


1999 TS 770 R (W1999TSJRAUS-1999)
WATER FILTER ASSEMBLY

Page 57 of 59

Ref #	Part Number	Qty	S/P/F	Description
1	0675-042	1		Screen
2	0710-190	0		Hose, Water - 25 ft
3	1673-158	1		Fitting, Elbow
4	0624-016	6		Clamp, Hose
5	1673-448	1		Fitting
6	1673-161	1		Filter, Water Assembly (inc. 7-9)
7	0673-669	1		. Cover
8	0673-670	1		. O-Ring
9	0673-671	1		. Screen
10	0676-001	1		Gasket, Foam
13	0623-709	1		Nut

1999 TS 770 R (W1999TSJRAUS-1999)
WIRING HARNESS



1999 TS 770 R (W1999TSJRAUS-1999)
WIRING HARNESS

Page 59 of 59

Ref #	Part Number	Qty	S/P/F	Description
1	3008-044	1		Tie, Cable
2	3002-964	2	/P	Clamp, Wire
3	3008-466	1		Cable, Relay
4	3008-345	1	/P	Cable, Battery (inc. 5)
5	3008-334	1	/P	. Grommet
6	3008-467	1		Cable, Ground (770)
7	3008-547	1	/P	Harness, Wiring
8	3008-362	1	/P	Grommet
9	0686-430	1		Harness, Gauge
10	0630-056	1		Fuse, 3 AMP