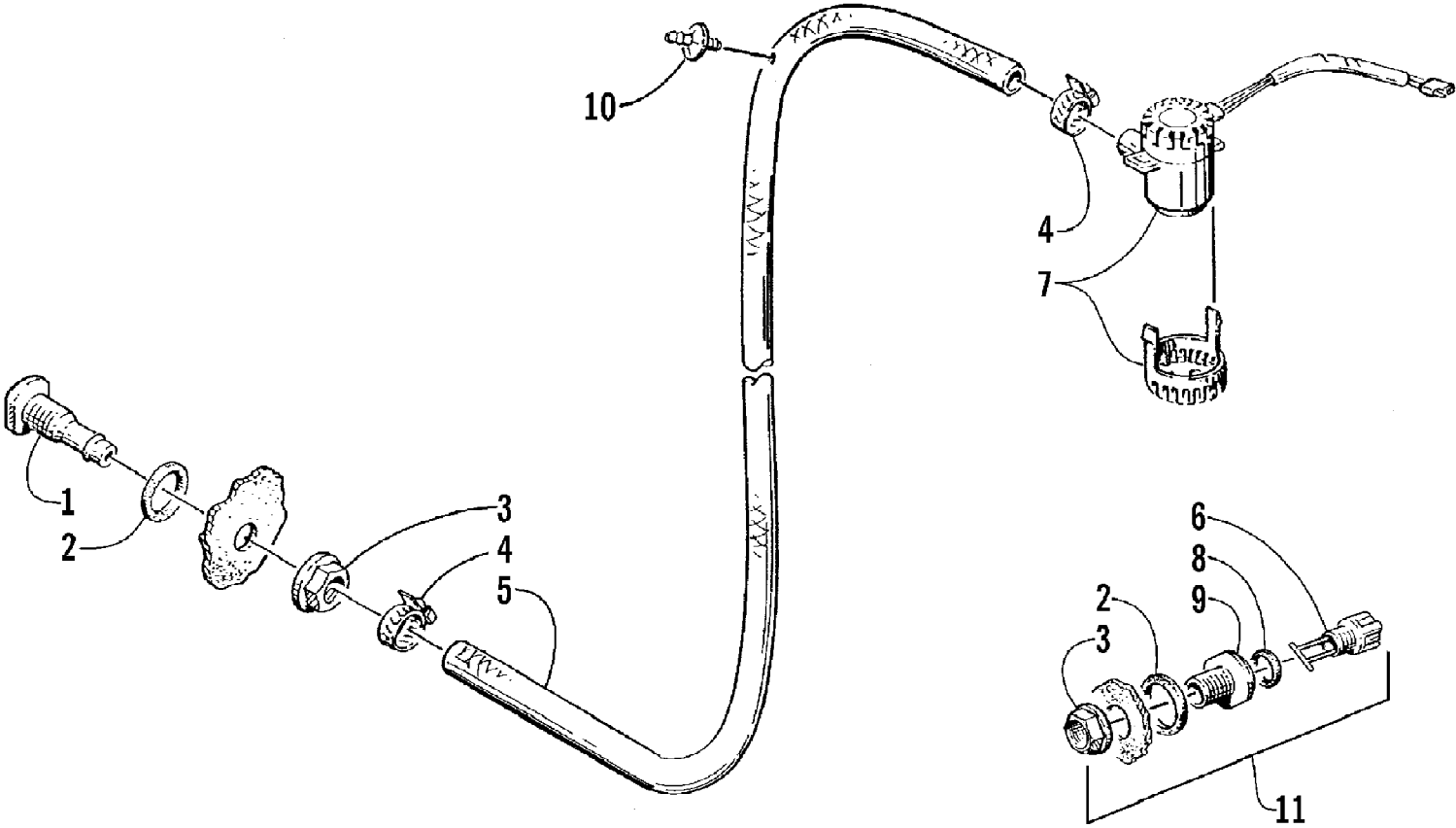


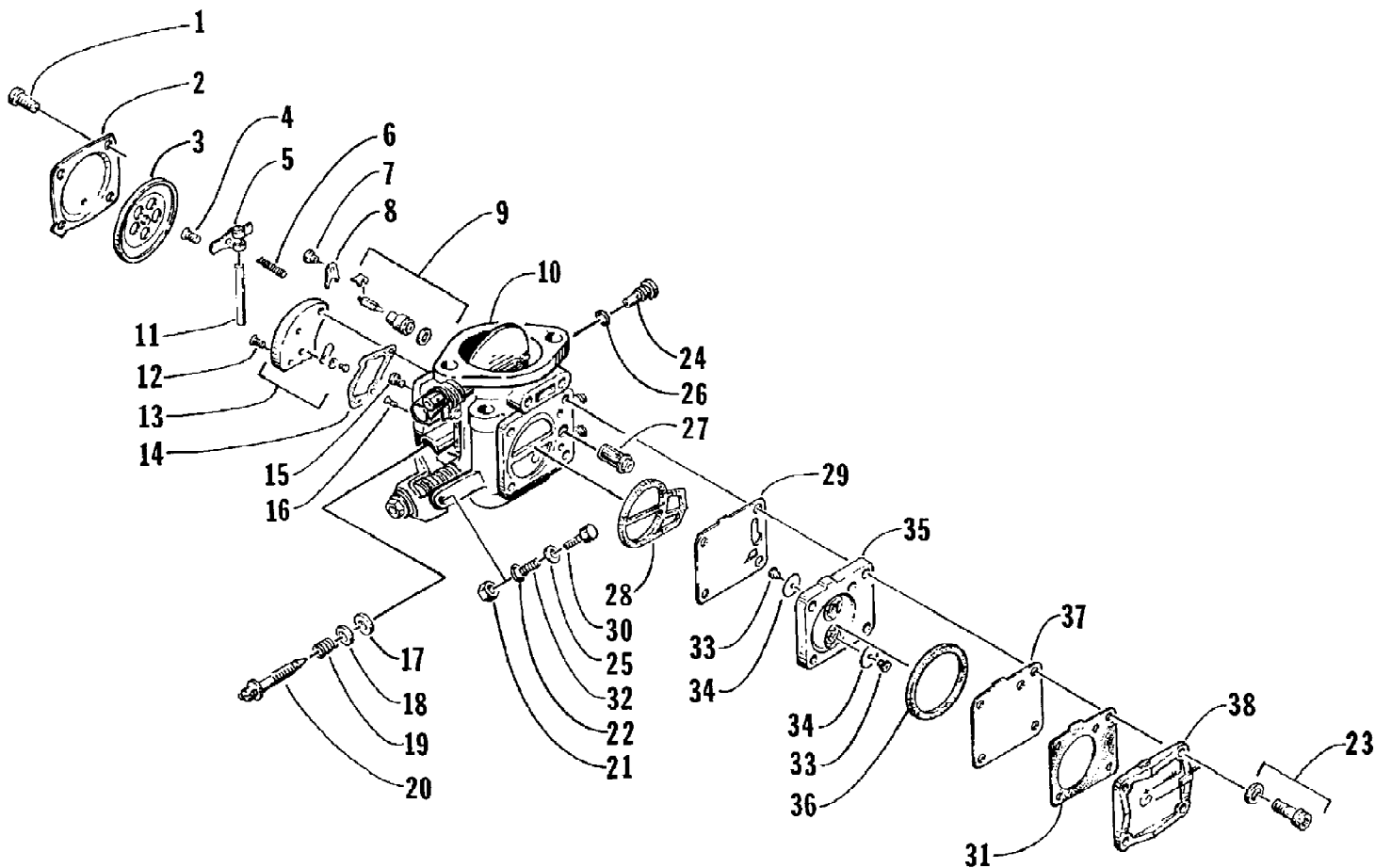
1999 TS 640 (W1999TSGAAUS-1999)
BILGE PUMP ASSEMBLY



1999 TS 640 (W1999TSGAAUS-1999)
BILGE PUMP ASSEMBLY

Page 2 of 55

Ref #	Part Number	Qty	S/P/F	Description
1	0673-377	1		Outlet, Bilge
2	0612-456	2		Seal, Bilge Outlet
3	0673-378	2	S	Nut, Fitting
4	0624-018	2		Clamp, Hose
5	0710-201	1		Hose, Bilge
6	0673-404	1		Plug, Drain
7	1673-331	1	S	Pump, Bilge
8	0673-459	1		O-Ring
9	0673-278	1		Retainer, Drain Plug
10	0610-059	1		Valve, Check
11	0678-565	1		Kit, Hull Drain (inc. 2, 3, 6, 8, 9)

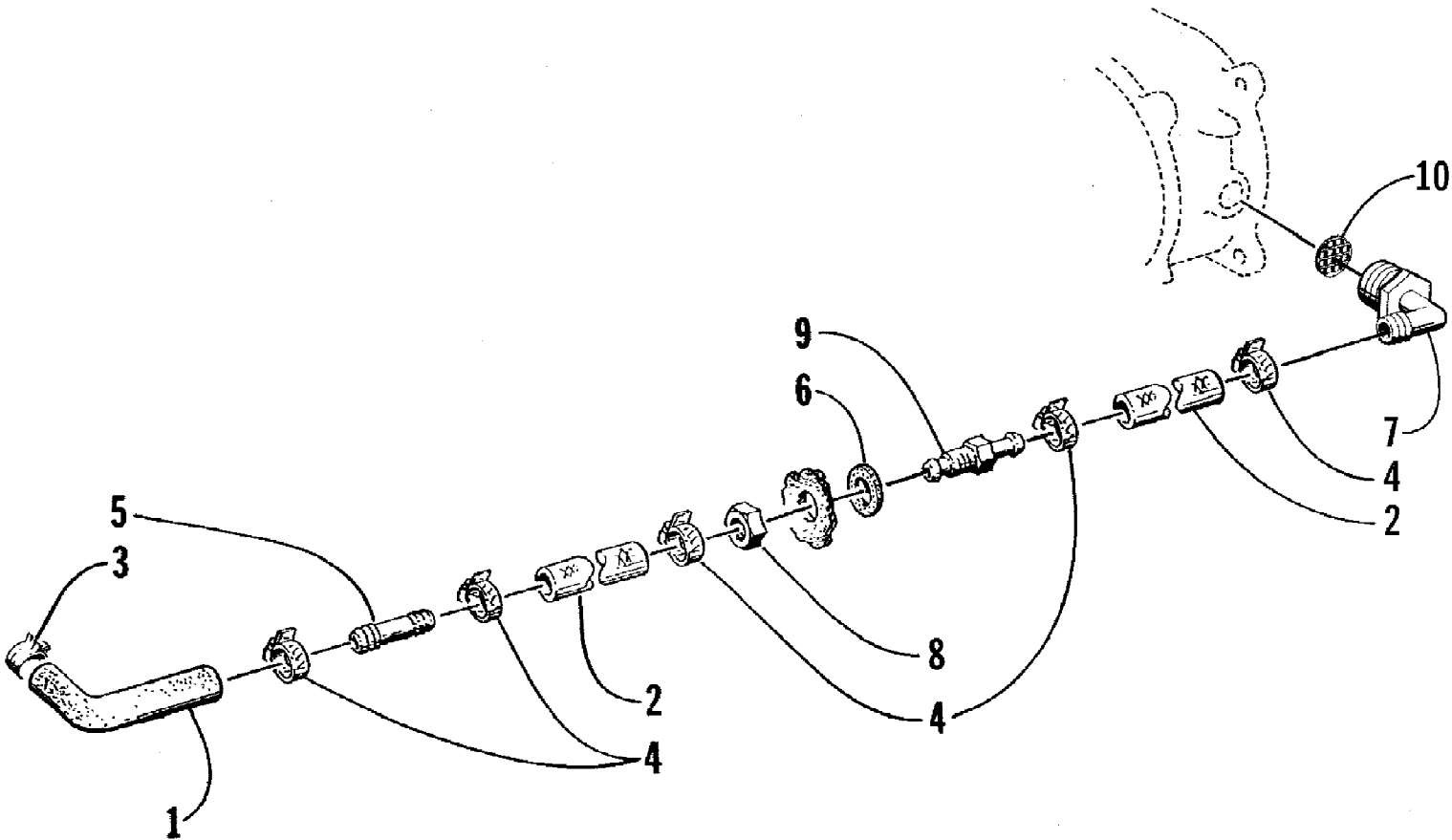


1999 TS 640 (W1999TSGAAUS-1999)
CARBURETOR

Page 4 of 55

Ref #	Part Number	Qty	S/P/F	Description
	0670-745	1		Complete Assembly
	0678-066	1		Carburetor Rebuild Kit
1	6505-915	4		Screw
2	6505-662	1		Cover
3	6505-663	1		Diaphragm Assembly
4	6505-692	1		Screw, Machine
5	6505-871	1	/P	Arm
6	6505-925	1	/P	Spring
7	6505-695	1		Screw, Machine
8	6505-682	1		Plate
9	6505-929	1		Needle Valve Assembly
10	0	1	F	Mixing Body
11	6505-681	1		Pin
12	6505-679	2		Screw, Machine
13	6505-680	1		Block, Metering
14	6505-677	1		Gasket
15	6505-743	1		Main Jet - 135
16	6505-774	1		Pilot Jet - 70
17	6505-668	1		O-Ring
18	6505-661	1		Washer
19	6505-660	1		Spring
20	6505-852	1		Adjuster
21	6505-911	1		Nut
22	6505-872	1	/P	O-Ring
23	6505-704	4		Screw w/Washer
24	6505-935	1		Main Jet, Fixed
25	6505-703	1		Washer
26	6505-042	1		O-Ring
27	6505-676	1		Filter
28	6505-665	1		S-Gasket
29	6505-656	1	/P	Diaphragm, Damper
30	6505-912	1		Screw, Adjustment
31	6505-653	1		Gasket
32	6505-678	1		Spring
33	0	2	F	Grommet
34	0	2	F	Valve
35	6505-655	1		Body Assembly, Diaphragm
36	6505-683	1		O-Ring
37	6505-654	1		Diaphragm, Pump
38	6505-652	1		Cover, Pump

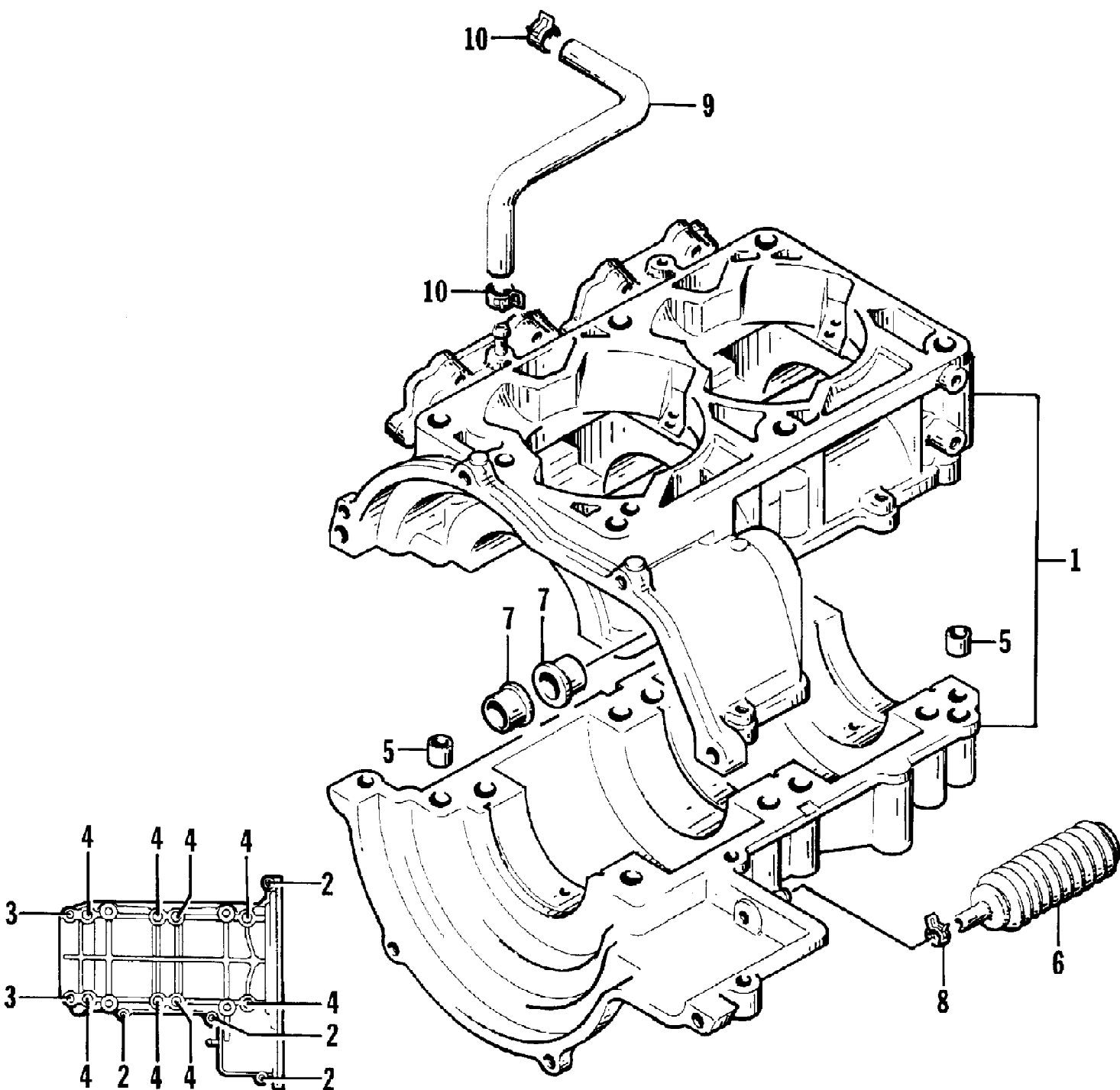
1999 TS 640 (W1999TSGAAUS-1999)
COOLING INTAKE LINE



1999 TS 640 (W1999TSGAAUS-1999)
COOLING INTAKE LINE

Page 6 of 55

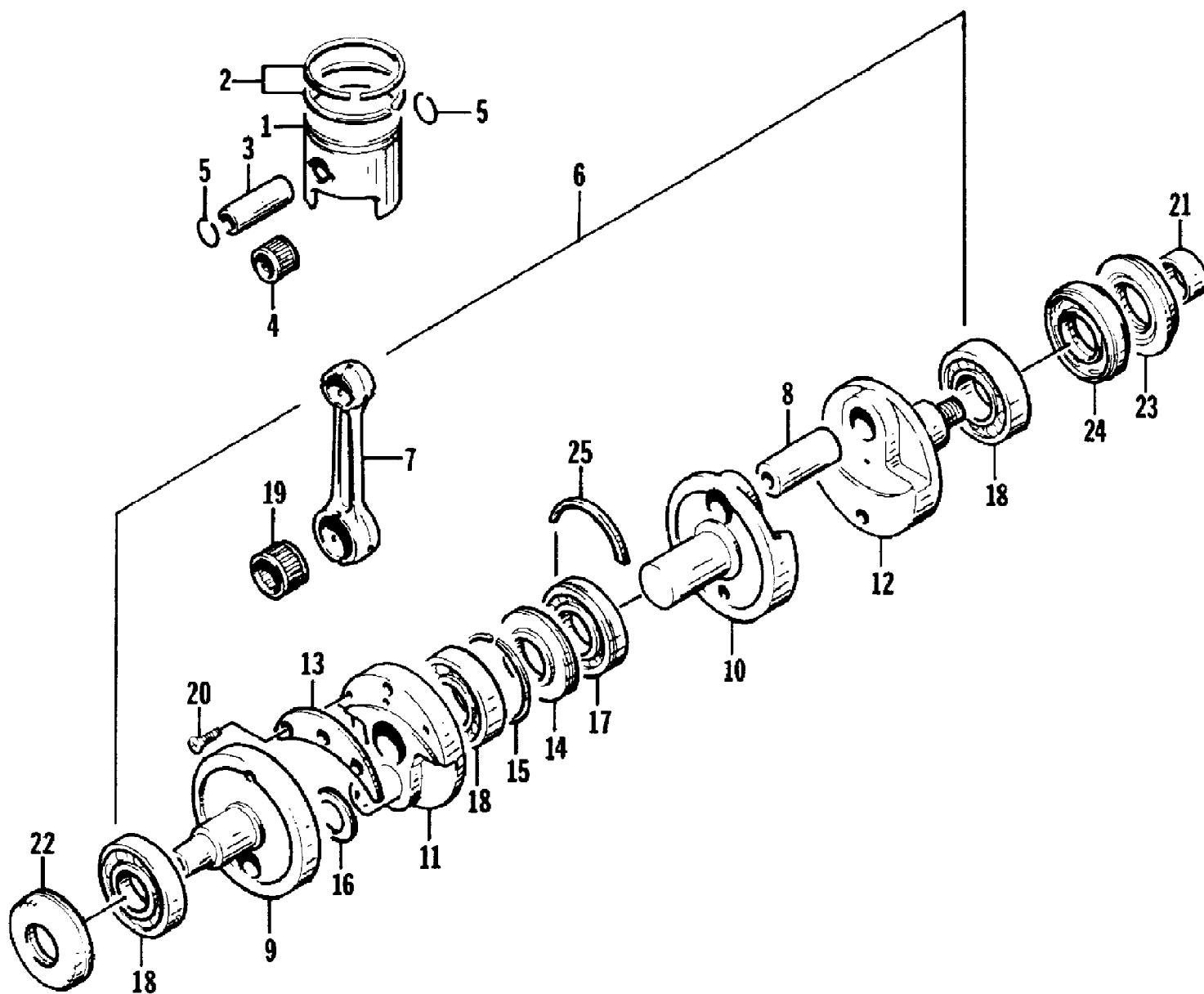
Ref #	Part Number	Qty	S/P/F	Description
1	0610-206	1	/P	Hose
2	0610-106	0	/P	Hose, Water Line - 25 ft
3	3008-455	1		Clamp, Hose
4	0624-016	5		Clamp, Hose
5	0673-564	1		Coupler, Hose
6	0676-001	1		Gasket, Foam
7	0673-850	1		Fitting, Elbow
8	0623-709	1		Nut
9	1673-447	1		Fitting, Hull
10	0675-042	1		Screen



1999 TS 640 (W1999TSGAAUS-1999)
CRANKCASE ASSEMBLY

Page 8 of 55

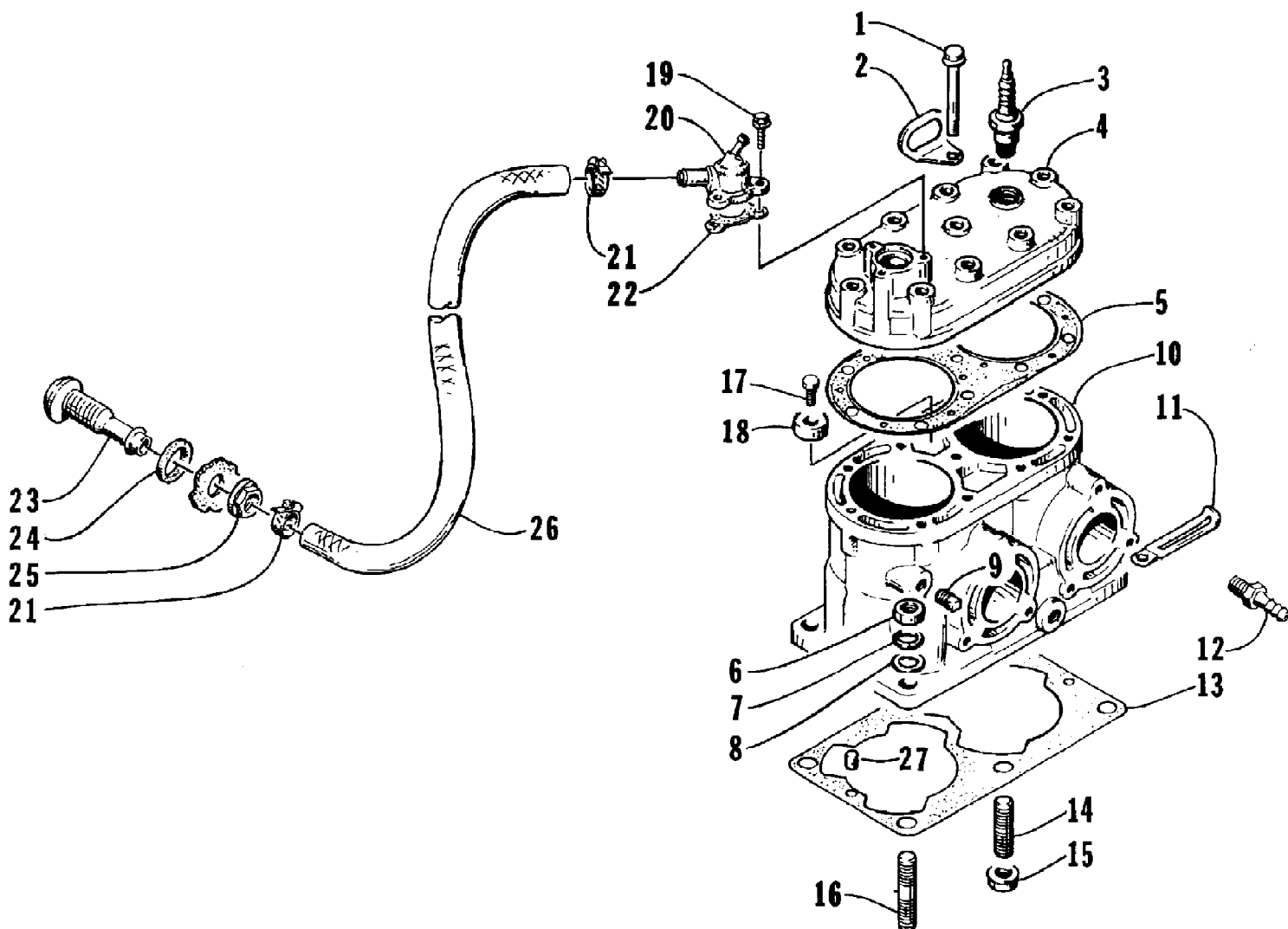
Ref #	Part Number	Qty	S/P/F	Description
1	3008-382	1		Crankcase Assembly (640) (inc. 2-5)
2	3008-210	4	/P	. Screw, Cap
3	3008-373	2	/P	. Screw, Cap
4	3008-212	8	/P	. Screw, Cap
5	3008-199	2	/P	. Pin
6	3008-100	1		Bladder, Magneto Case
7	3008-105	2		Bushing, Pinion Shaft
8	3008-038	1		Clamp (640)
9	3008-200	1	/P	Hose, Vacuum
10	3008-039	2		Clamp, Hose



1999 TS 640 (W1999TSGAAUS-1999)
CRANKSHAFT

Page 10 of 55

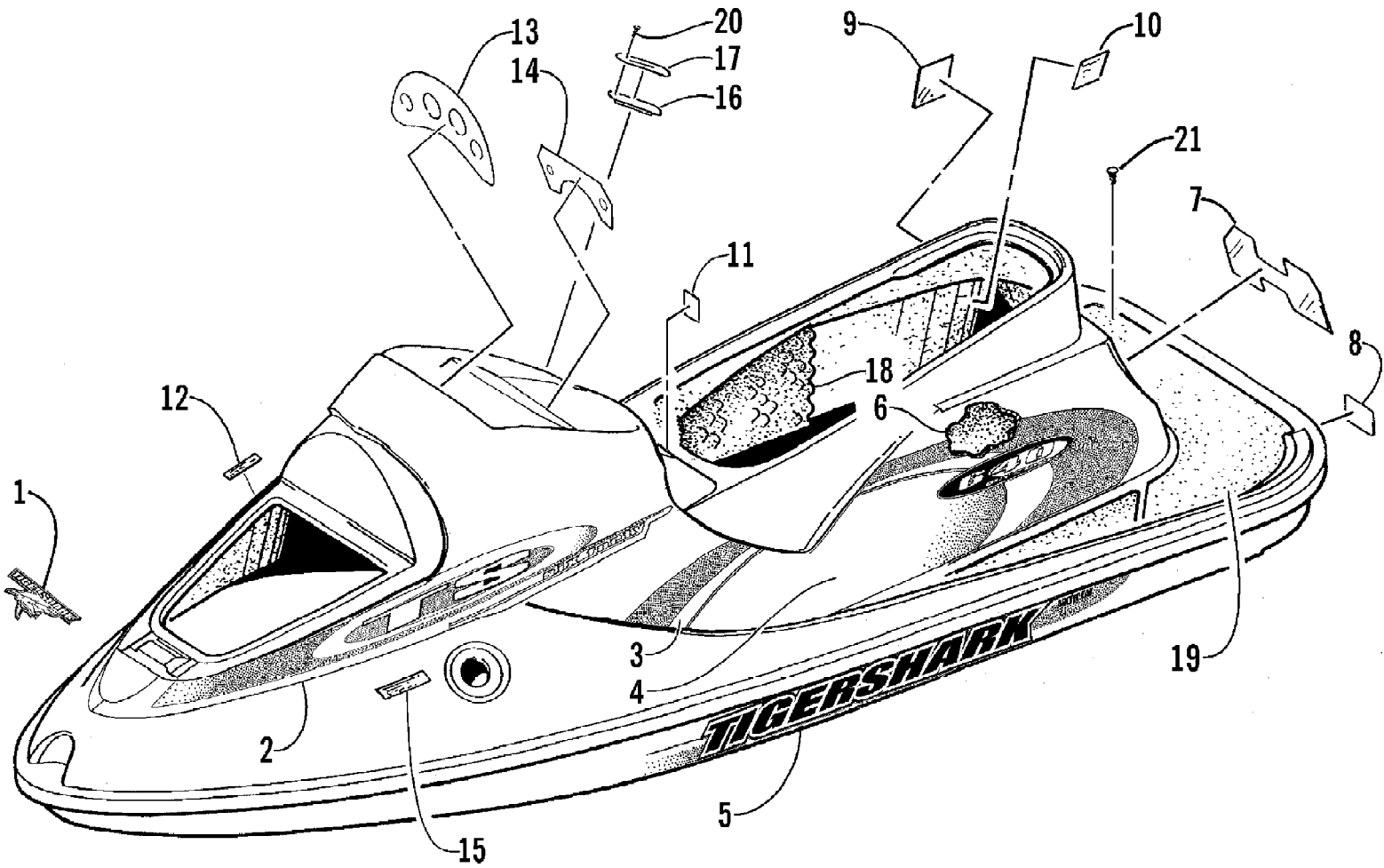
Ref #	Part Number	Qty	S/P/F	Description
1	3008-383	2	/P	Piston, Standard
1	3008-181	2		Piston, Optional (+ 0.010 in.)
1	3008-182	2		Piston, Optional (+ 0.020 in.)
2	3008-396	2	/P	Ring Set, Standard
2	3008-183	2		Ring Set, Optional (+ 0.010 in.)
2	3008-184	2		Ring Set, Optional (+ 0.020 in.)
3	3008-482	2	/P	Pin, Piston
4	3003-433	2	/P	Bearing, Piston Pin
5	3003-439	4	/P	Circlip, Piston Pin
6	3678-001	1	/P	Crankshaft Assembly (inc. 7-20)
7	3008-062	2		. Connecting Rod
8	3008-064	1	S	. Crank Pin
9	3008-065	1		. Crankshaft, Right
10	3008-066	1		. Crankshaft, Center
11	3008-067	1		. Wheel, Crankshaft
12	3008-068	1		. Crankshaft, Left
13	3008-069	1		. Balancer, Crankshaft
14	3008-070	1		. Race, Center
15	3003-817	1	/P	. Ring, Center
16	3008-019	1		. Washer
17	3008-027	1		. Bearing
18	3008-298	3	/P	. Bearing
19	3008-029	2		. Bearing
20	3004-372	3	S	. Screw, Machine
21	3008-072	1		Spacer, Crankshaft
22	3008-031	1		Seal, Oil - Right
23	3008-032	1		Seal, Oil - Left
24	3008-033	1		Seal, Oil - Center
25	3003-216	1		C-Ring, Crankshaft



1999 TS 640 (W1999TSGAAUS-1999)
CYLINDER ASSEMBLY

Page 12 of 55

Ref #	Part Number	Qty	S/P/F	Description
1	3008-381	11		Screw, Cap
2	3008-059	1		Hook
3	0217-709	2		Spark Plug (BR9EYA)
4	3008-481	1	/P	Head, Cylinder
5	3008-436	1	/P	Gasket, Cylinder Head
6	3008-209	5	/P	Nut
7	3008-207	5	/P	Washer, Lock
8	3004-278	5	S/P	Washer
9	3008-377	1	/P	Plug
10	3008-326	1	/P	Cylinder
11	3008-358	2	/P	Clamp
12	3008-361	1		Fitting, Straight
13	3008-050	1		Gasket, Cylinder
14	3008-394	1	/P	Bolt, Stud
15	3008-208	1		Nut
16	3008-300	5		Bolt, Stud
17	3008-013	1		Screw, Cap
18	3008-047	1		Anode, Zinc (inc. 17)
19	3008-216	3		Screw, Cap
20	3008-089	1		Cap, Thermostat
21	0624-016	2		Clamp, Hose
22	3008-230	1		Gasket, Thermostat
23	0673-374	1		Outlet, Water
24	0612-360	1		Seal, Outlet
25	0623-753	1	/P	Nut, Flange
26	0610-268	0		Hose, Water
27	3008-146	2		Pin, Knock

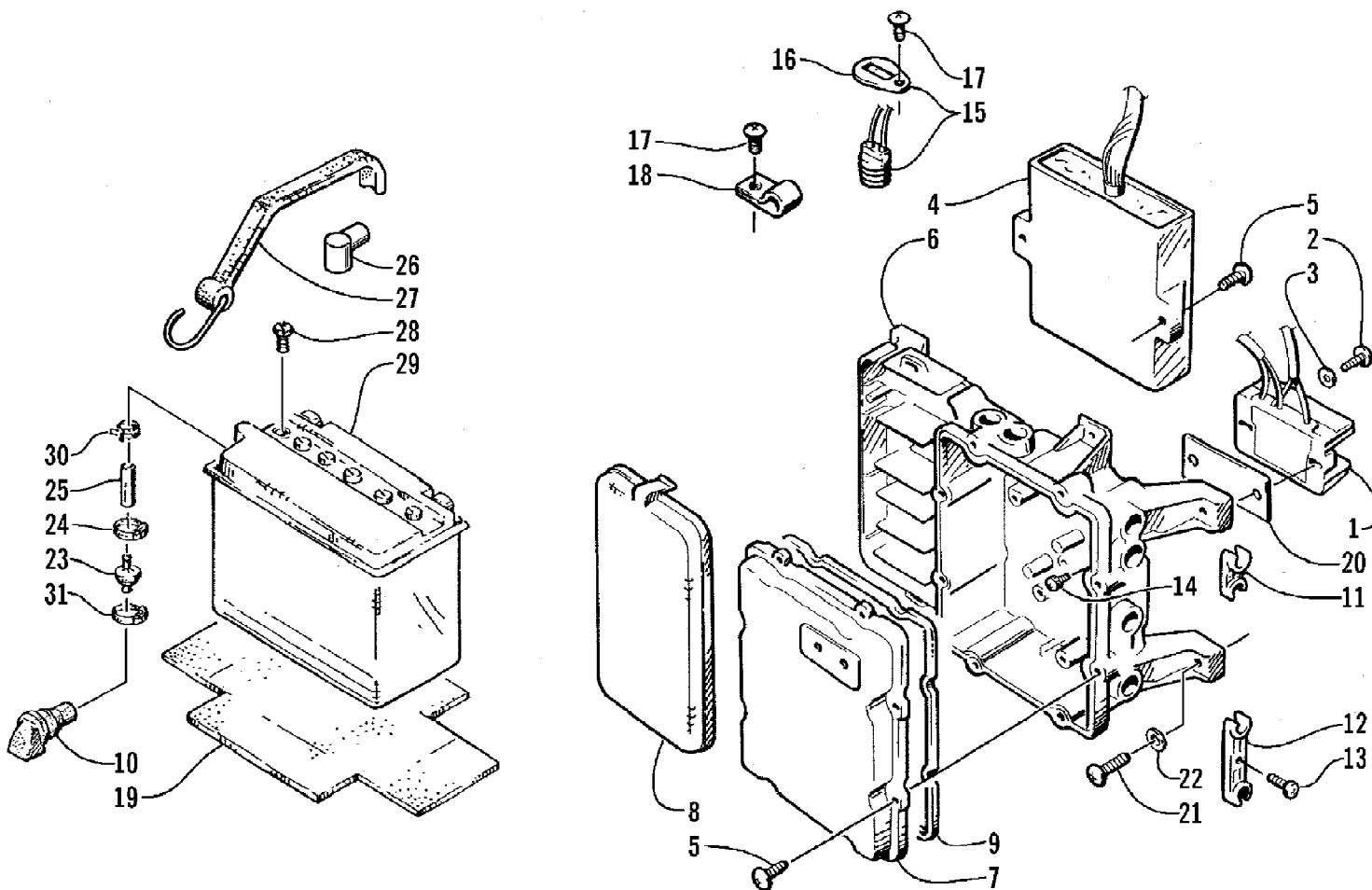


1999 TS 640 (W1999TSGAAUS-1999)
DECAL AND FOOTPAD ASSEMBLY

Page 14 of 55

Ref #	Part Number	Qty	S/P/F	Description
1	0614-510	1		Decal, Crest
2	0614-494	1		Decal, Deck - Starboard (640)
2	0614-495	1		Decal, Deck - Port (640)
3	0614-550	1		Decal, Deck - Starboard Lower (640)
3	0614-551	1		Decal, Deck - Port Lower (640)
4	0614-496	1		Decal, Deck Aft - Starboard (640)
4	0614-497	1		Decal, Deck Aft - Port (640)
5	0614-498	1		Decal, Hull - Starboard - "Tigershark" (640)
5	0614-499	1		Decal, Hull - Port - "Tigershark" (640)
6	0617-259	1		Foam, Sound - Port
7	0614-350	1		Decal, Regulation
8	0614-154	1		Decal, Caution - Uprighting
9	0614-066	1		Decal, USCG Exemption
11	1611-866	1		Decal, Warning - Gas Vapors
12	0614-300	1		Decal, Oil Filler
13	0614-512	1		Decal, Instrument Panel (640)
14	0614-511	1		Decal, Console
15	0614-299	1		Decal, Warning - Fuel (640)
16	0614-556	1		Decal, Oil Level
17	0670-926	1		Lens, Gauge - Oil Level
18	0617-258	1		Foam, Sound - Starboard
19	1673-248	1		Pad, Foot - Rear
20	0623-760	2		Clip, Retaining
21	0623-747	18	S	Clip, Retaining (640)

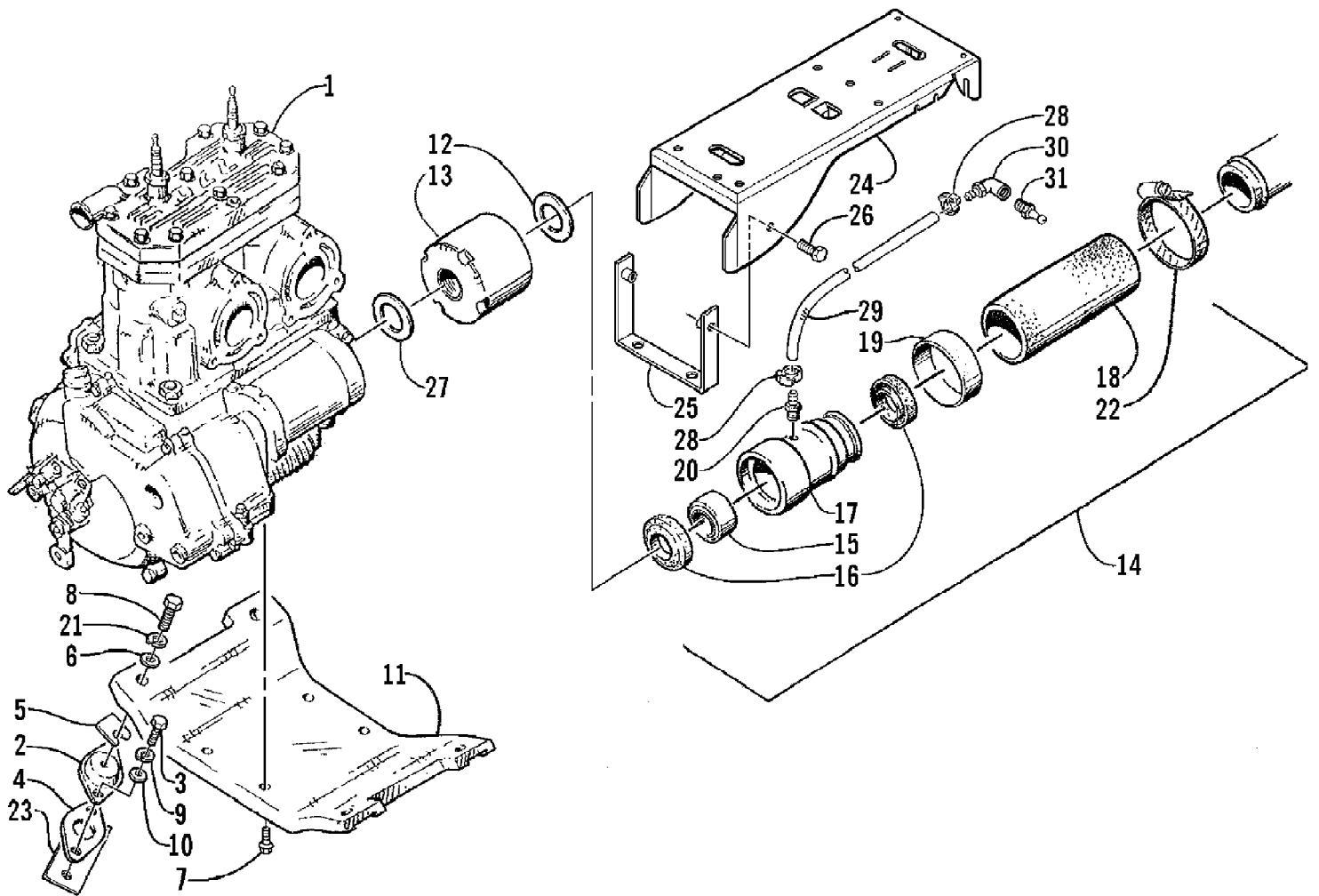
1999 TS 640 (W1999TSGAAUS-1999)
ELECTRICAL MODULE AND BATTERY



1999 TS 640 (W1999TSGAAUS-1999)
ELECTRICAL MODULE AND BATTERY

Page 16 of 55

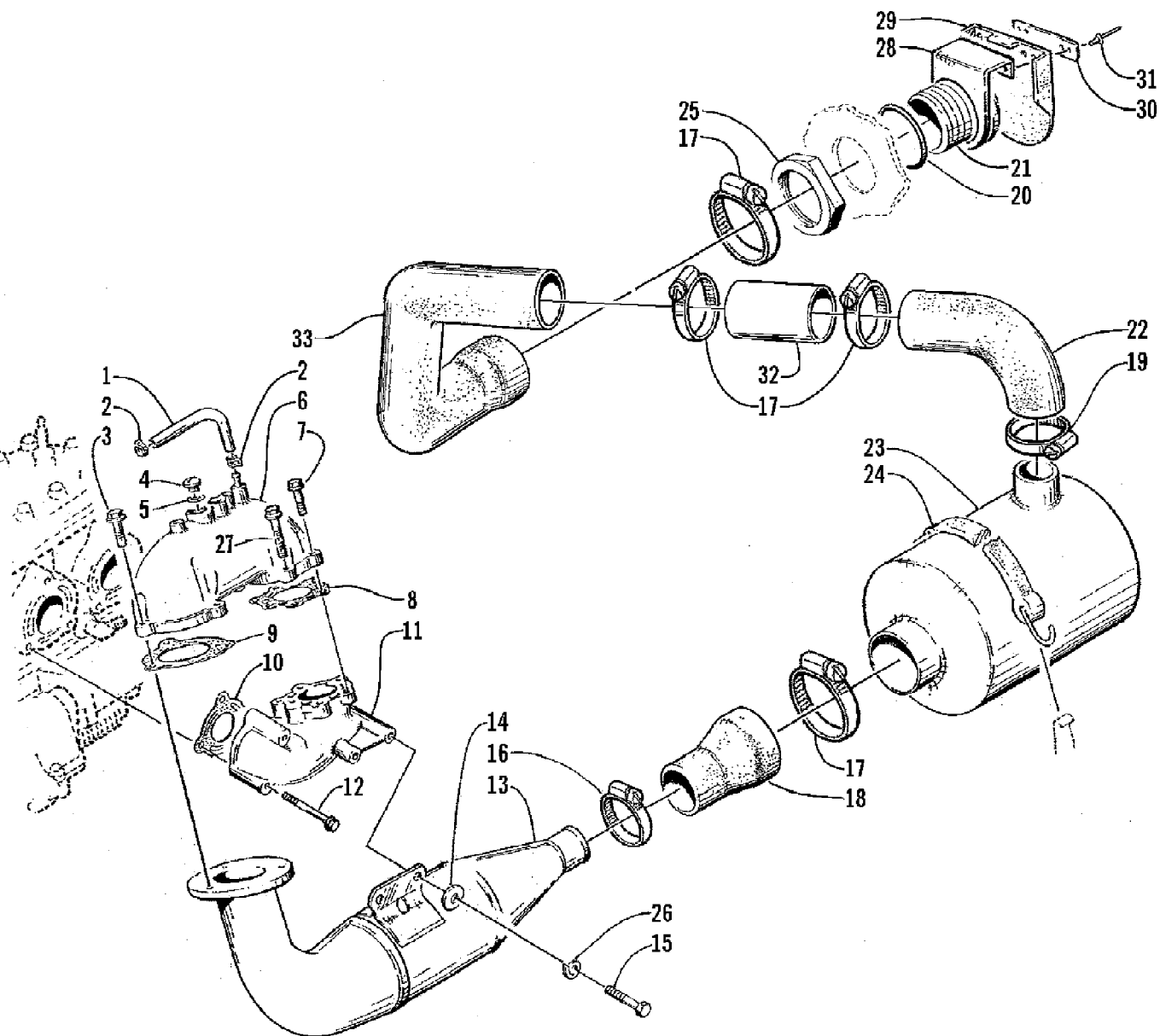
Ref #	Part Number	Qty	S/P/F	Description
1	3008-279	1	/P	Regulator Assembly (inc. 2)
2	3008-318	2	S	. Screw, Regulator (640)
3	3008-337	2		Washer, Regulator
4	3008-338	1	S	Unit, CDI (640)
5	3008-319	10		Screw, Cap (640)
6	3008-282	1		Case
7	3008-283	1	/P	Cover, Case
8	3008-284	1	/P	Cover, Case
9	3008-285	1	/P	Packing
10	0673-755	1		Vent, Thru Hull - w/Hood
11	3008-124	2		Holder, Grommet
12	3008-125	1		Holder, Grommet
13	3008-379	4		Screw, Cap (640)
14	3008-217	1		Screw, Cap
15	3008-330	1	S/P	Sensor Assembly (inc. 16)
16	3008-134	1		. Supporter, Engine Temp Sensor
17	3008-219	2		Screw, Machine
18	3008-040	1		Clamp, Heat Sensor
19	0673-811	1		Pad, Battery (640)
20	3008-336	1	/P	Base, Regulator
21	0624-271	4		Screw, Machine
22	0624-022	4		Washer
23	0670-295	1		Valve, Check
24	0623-502	1		Clamp, Hose
25	0610-008	1	/P	Hose, Battery Vent
26	0645-019	1		Boot, Terminal - Battery
27	0773-382	3	/P	Tiedown
28	0645-045	6		Cap, Battery
29	0645-232	1	S	Battery (inc. 28)
30	0624-323	1		Clamp, Hose - Battery
31	0623-063	1		Clamp, Hose



1999 TS 640 (W1999TSGAAUS-1999)
ENGINE AND RELATED ASSEMBLY

Page 18 of 55

Ref #	Part Number	Qty	S/P/F	Description
1	0662-193	1	/P	Engine, 639 L/C (640)
2	0608-289	4		Damper, Engine
3	0624-225	8		Screw, Cap
4	0673-508	0	/P	Shim, Engine Mount - 0.125 in.
4	0673-509	0		Shim, Engine Mount - 0.063 in.
5	0624-014	0	/P	Shim - 0.5 mm
5	0624-015	0	/P	Shim - 1.5 mm
6	0624-406	4		Washer
7	3008-203	4	/P	Bolt, Engine Plate
8	3008-240	4		Bolt
9	0624-465	8		Washer, Lock
10	0624-028	8		Washer
11	3008-395	1	S	Plate, Engine Mount
12	0624-447	1		Washer
13	0675-174	1		Coupler, Engine
14	0775-131	1		Seal, Driveshaft Assembly (inc. 15-19)
15	0675-161	2		. Bearing
16	0675-266	2	/P	. Seal, Driveshaft
17	0675-214	1	S	. Housing/Bearing - Floating
18	0710-214	1		. Hose, Driveshaft
19	1673-476	1		. Clamp, Shrink
20	0675-339	1		Fitting
21	0624-485	4		Washer, Lock
22	0624-390	1		Clamp, Hose
23	0608-272	4		Shim, Engine Mount
24	0775-126	1		Mount, ECU
25	0775-127	1		Brace, ECU Mount
26	0624-230	2		Screw, Cap
27	0624-448	1		Washer
28	0124-045	2	/P	Clamp, Hose
29	0610-015	0	/P	Hose, Grease 100 ft
29	0610-016	0	/P	Hose, Grease 25 ft
30	0675-338	1		Fitting, Elbow
31	0675-340	1		Fitting, Grease

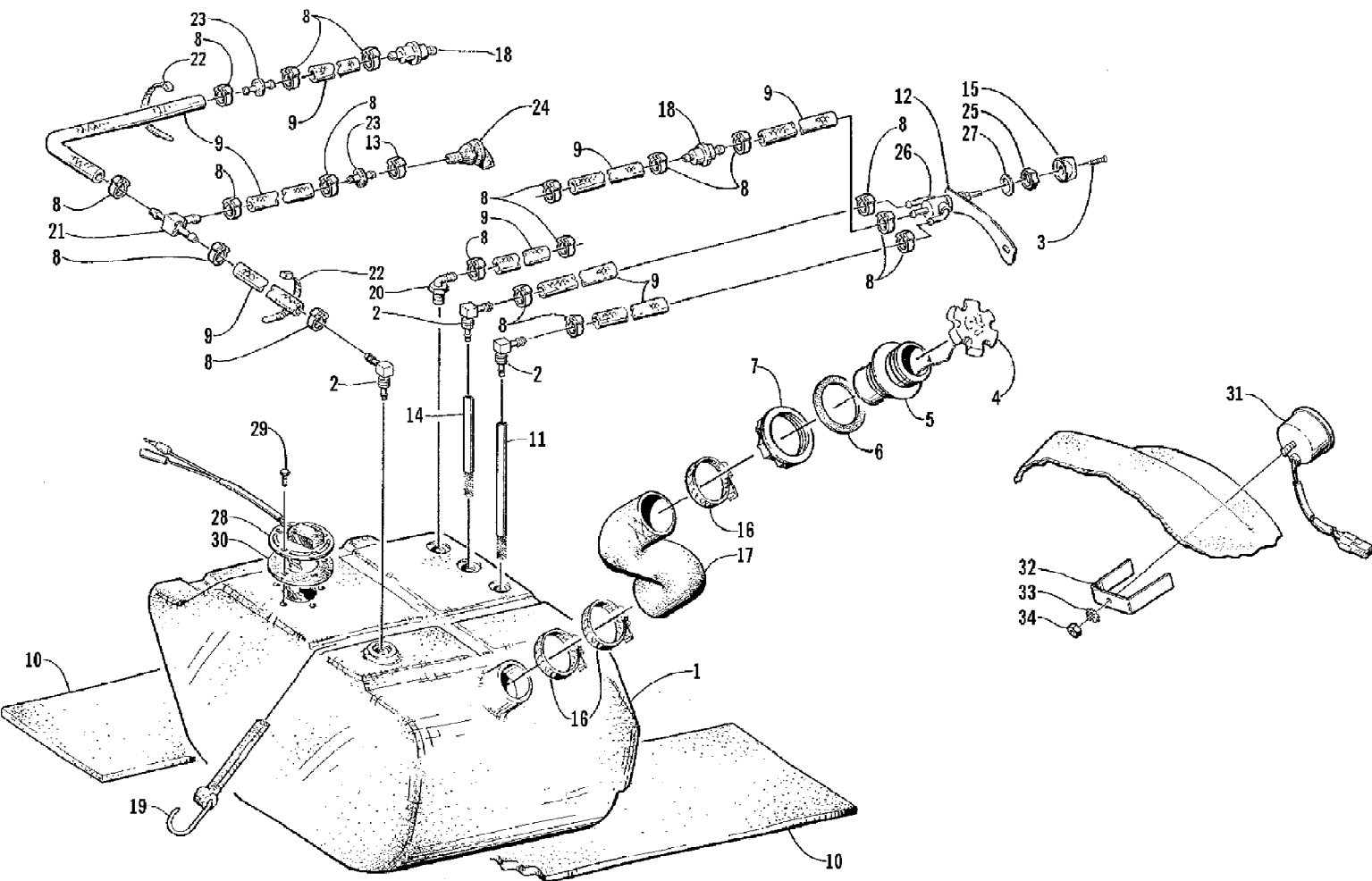


1999 TS 640 (W1999TSGAAUS-1999)
EXHAUST ASSEMBLY

Page 20 of 55

Ref #	Part Number	Qty	S/P/F	Description
1	3008-355	1	/P	Hose, By-Pass
2	3008-039	2		Clamp
3	3008-215	3	/P	Screw, Cap
4	3008-025	1		Plug
5	3008-022	1		Gasket
6	3008-398	1		Pipe, Exhaust
7	3008-371	3		Screw, Cap
8	3008-385	1	/P	Gasket, Exhaust Pipe
9	3008-386	1	/P	Gasket, Exhaust Joint
10	3008-384	2	/P	Gasket, Exhaust Manifold
11	3008-204	1	/P	Manifold, Exhaust
12	3008-373	6	/P	Screw, Cap
13	0712-217	1		Expansion Chamber
14	3008-189	2		Washer
15	3008-188	2		Screw, Cap
16	0624-390	1		Clamp, Hose
17	0624-169	4		Clamp, Hose
18	0610-144	1		Hose, Exhaust - In
19	0624-037	1		Clamp, Hose
20	0612-676	1		Gasket, Exhaust - Foam
21	0612-762	1	/P	Outlet, Exhaust
22	0610-398	1		Hose, Exhaust
23	0712-218	1		Muffler
24	0773-805	1		Tiedown
25	0612-576	1		Nut, Exhaust Outlet
26	3008-021	2		Washer, Lock
27	3008-372	2		Screw, Cap
28	1673-411	1		Bracket, Sound Diffuser
29	1673-413	1		Flap, Sound Diffuser
30	1673-412	1		Plate, Backing - Sound Diffuser
31	0623-590	4		Rivet
32	1612-151	1		Tube, Exhaust
33	0610-397	1		Hose, Exhaust

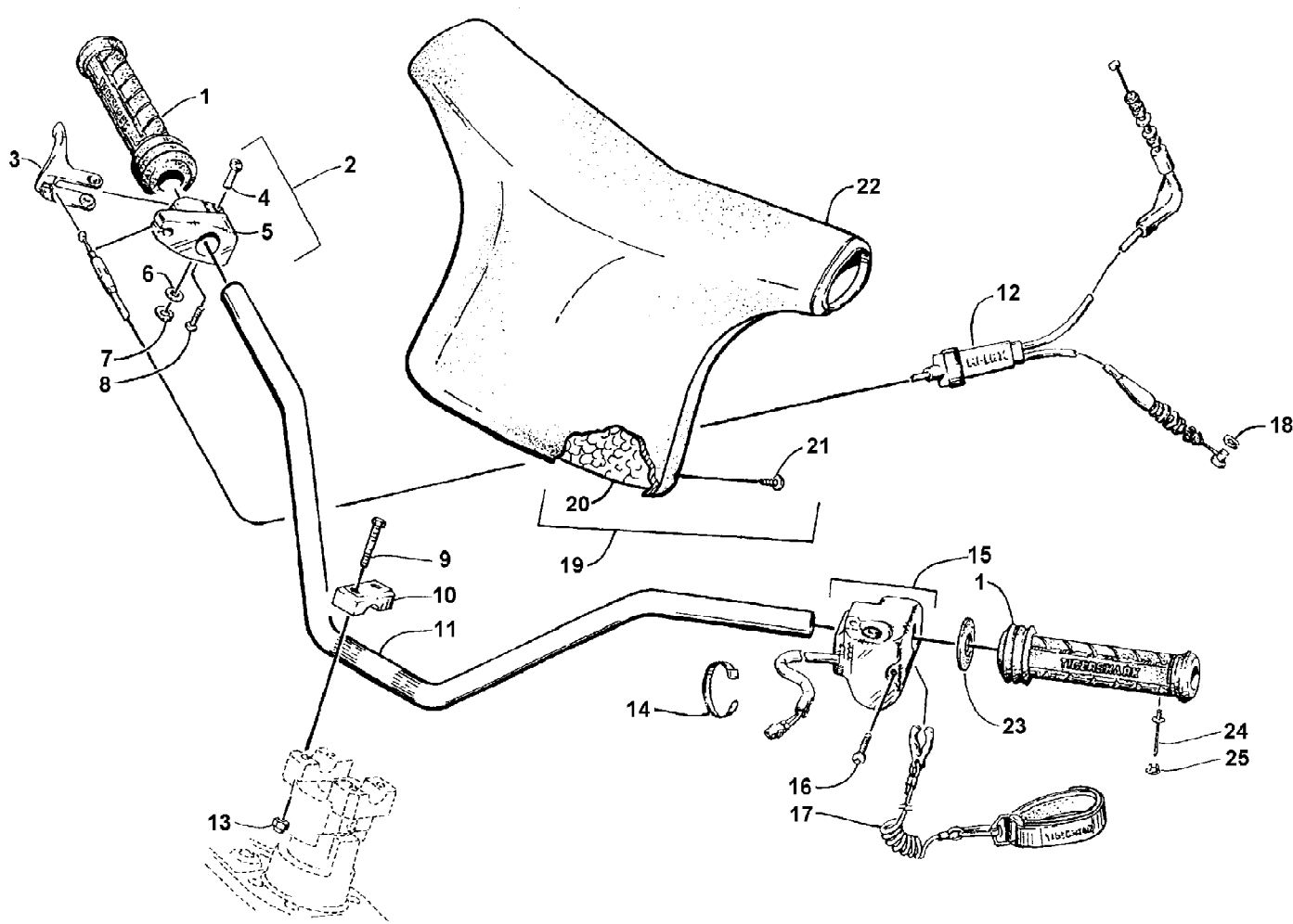
1999 TS 640 (W1999TSGAAUS-1999)
GAS TANK ASSEMBLY



1999 TS 640 (W1999TSGAAUS-1999)
GAS TANK ASSEMBLY

Page 22 of 55

Ref #	Part Number	Qty	S/P/F	Description
1	0770-175	1		Tank, Fuel - Assembly (inc. 2, 11, 14, 20, and 27) (640)
2	0670-762	3		. Outlet, Fuel Tank
3	0624-428	1		Screw, Machine
4	0670-398	1	S/P	Cap, Fuel
5	0670-428	1	S	Neck, Filler
6	0670-688	1		Gasket, Filler Neck
7	0670-548	1		Nut, Filler Neck
8	0624-120	19		Clamp, Hose
9	0710-425	0	/P	Hose - 25 ft
10	1673-344	2		Pad, Fuel Tank
11	1673-130	1		Tube, Drop - Reserve
12	1673-590	1		Plate, Backing - Fuel Valve
13	0623-063	1		Clamp, Hose
14	1673-055	1		Tube, Drop - Main
15	1673-274	1		Knob, Fuel Reserve
16	0624-037	3		Clamp, Hose
17	0610-339	1		Hose, Filler
18	0510-335	2	/P	Filter, Fuel
19	0773-383	2		Tiedown
20	0115-607	1	S	Fitting, Elbow
21	0109-332	1		T-Connection
22	0123-788	2	/P	Tie, Cable
23	0610-059	2		Valve, Check
24	0673-755	1		Vent, Fuel
25	0623-687	1		Nut, Fuel Reserve Valve
26	0670-710	1		Valve, Fuel Reserve
27	0623-693	1		Washer, Nylon

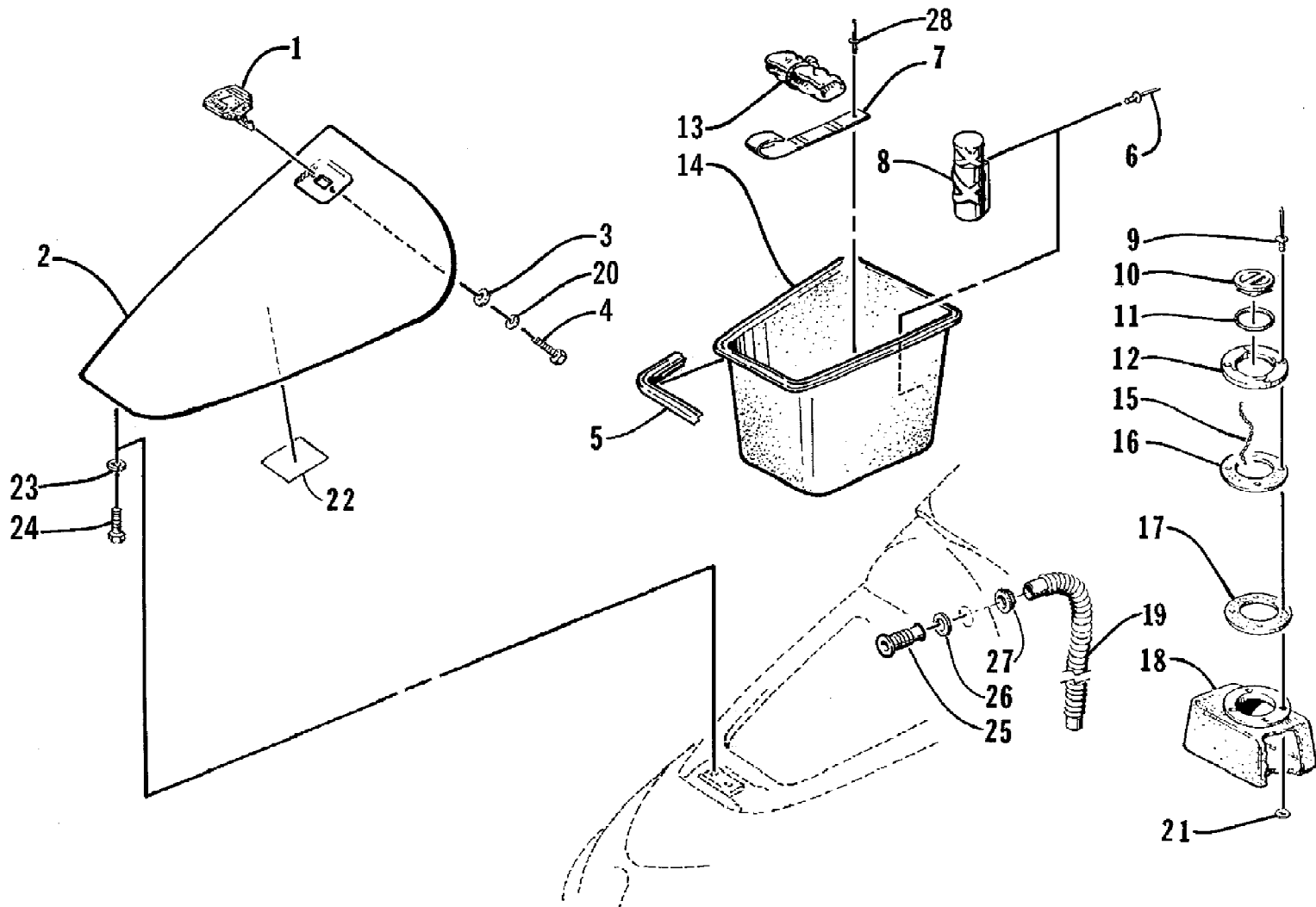


1999 TS 640 (W1999TSGAAUS-1999)
HANDLEBAR ASSEMBLY

Page 24 of 55

Ref #	Part Number	Qty	S/P/F	Description
1	0673-990	2	S	Grip, Handlebar
2	0773-018	1		Throttle, Assembly (inc. 3-7)
3	0605-234	1		. Lever, Throttle
4	0605-236	1		. Pin, Throttle Lever
5	0605-235	1		. Housing, Throttle
6	0624-099	1		. Washer
7	0624-113	1		. Ring, Retaining
8	0624-132	1		Screw, Machine
9	0624-278	4		Screw, Cap
10	0673-282	2		Cap, Steering Adjuster
11	1673-038	1		Handlebar
12	0687-093	1		Cable, Throttle
13	0624-250	4		Nut, Lock
14	0123-788	0	/P	Tie, Cable
15	0609-308	1		Switch, Start/Stop/Bilge
16	0	3	F	Screw, Machine
17	0609-427	1	S	Cord, Tether
18	0624-104	1		Ring, Retaining
19	0773-898	1		Handlebar Pad - Assembly (inc. 20-22)
20	1673-499	1		. Pad, Handlebar
21	0624-350	6	S	. Screw
22	0	1	F	. Cover, Handlebar Pad
23	1673-095	1		Washer, Rubber - Handlebar
24	0624-216	2		Rivet
25	1673-111	2		Plug

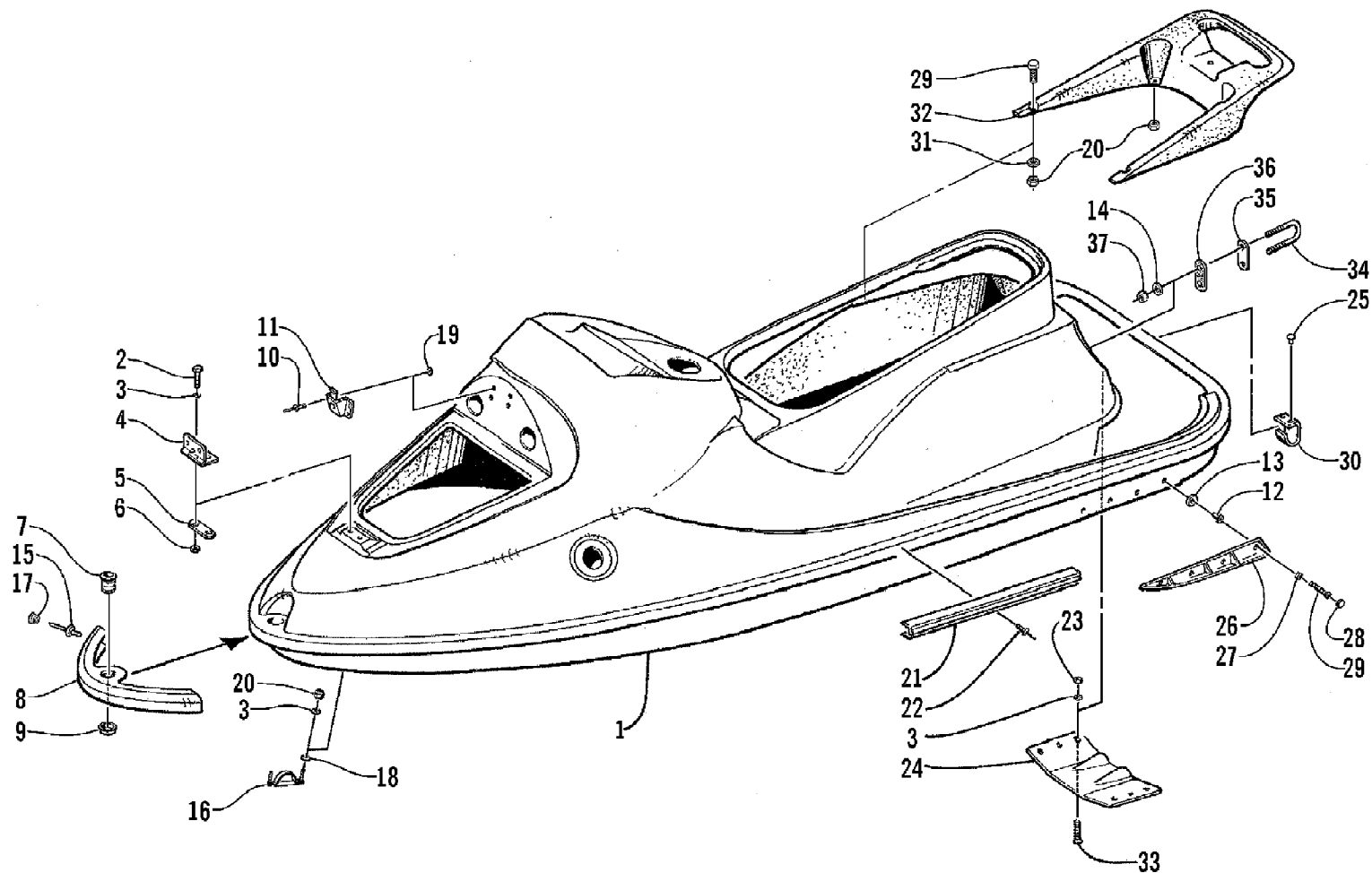
1999 TS 640 (W1999TSGAAUS-1999)
HATCH COVER AND STORAGE TRAY



1999 TS 640 (W1999TSGAAUS-1999)
HATCH COVER AND STORAGE TRAY

Page 26 of 55

Ref #	Part Number	Qty	S/P/F	Description
1	0673-882	1		Latch, Hatch Cover
2	1673-641	1		Cover, Hatch (640)
3	0624-004	2		Washer
4	0624-092	2		Screw, Cap
5	1673-567	1	/P	Seal, Hatch
6	0623-685	5		Rivet
7	0773-217	1		Tiedown, Tool Kit
8	1673-046	1		Tube, Fire Extinguisher
13	0678-399	1		Kit, Tool
14	1673-566	1	/P	Tray, Storage
19	0610-358	2		Hose, Air Intake
20	0624-200	2		Washer, Lock
22	0614-431	1		Decal, Storage Tray
23	0624-115	3		Washer, Lock
24	0624-432	3		Screw, Self-Tapping
25	1673-575	2		Fitting
26	0670-546	2		Gasket, Fill Neck
27	0670-548	2		Nut, Fill Neck
28	0773-973	1		Rivet

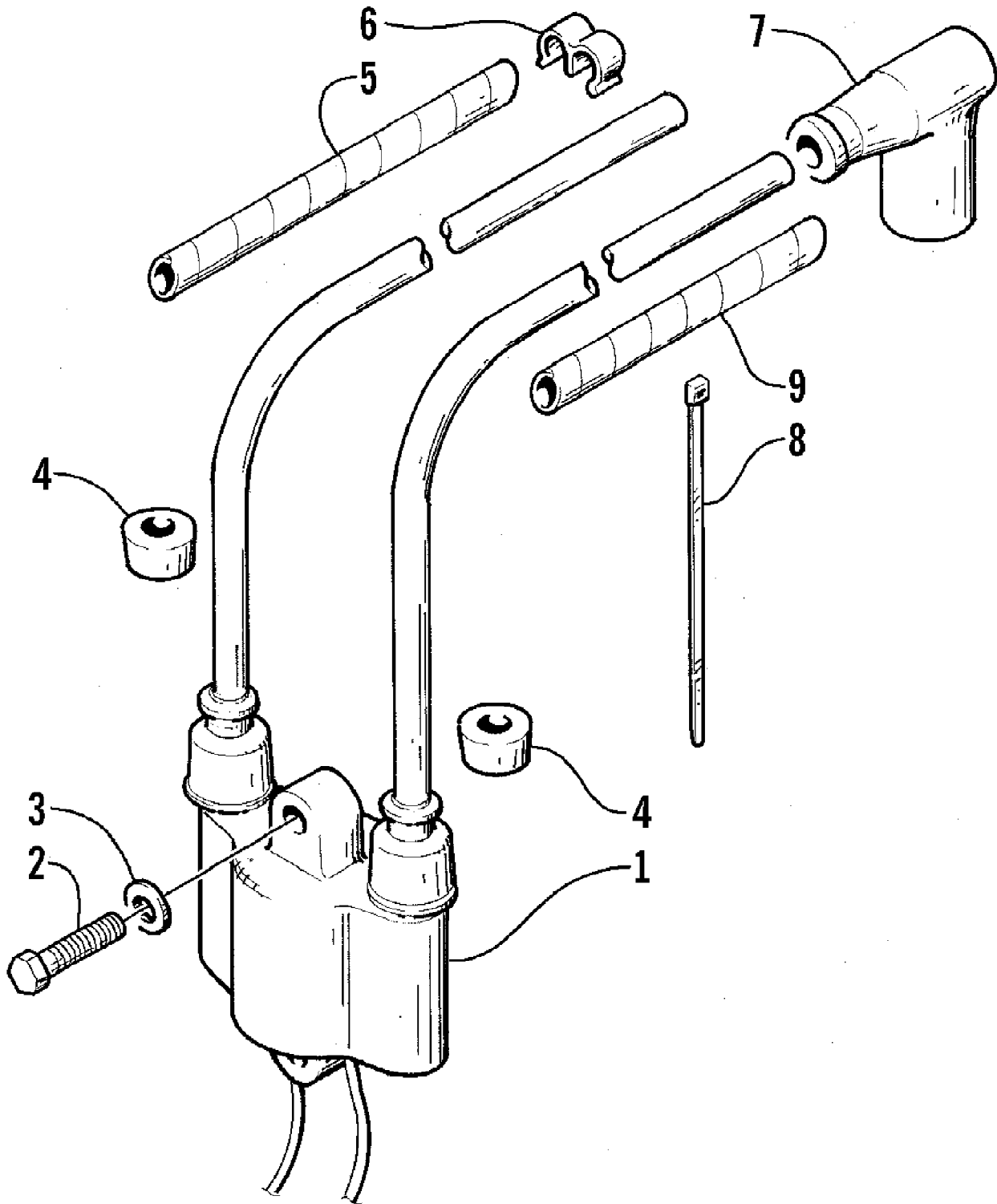


1999 TS 640 (W1999TSGAAUS-1999)
HULL AND RELATED PARTS ASSEMBLY

Page 28 of 55

Ref #	Part Number	Qty	S/P/F	Description
1	0773-983	1		Hull/Deck - Assembly (640)
2	0624-112	2	/P	Screw, Cap
3	0624-182	10		Washer
4	1673-032	1		Hinge, Hatch
5	1673-031	1		Plate, Backing - Hinge
6	0624-250	8		Nut, Lock
7	1673-479	1		Bushing, Boweye
8	0773-974	1		Nosecone, Black
9	0623-753	1	/P	Nut, Boweye Bushing
10	0624-072	4		Rivet
11	1673-034	1		Strike, Hatch Latch
12	0623-737	8		Insert, Brass
13	0624-293	8		Washer, Backup
14	0624-159	2		Washer
15	0623-636	2		Rivet
16	0773-516	1	/P	Boweye
17	1673-687	2		Plug
18	0624-299	2		Washer, Sealing
19	0624-004	4		Washer, Backup
20	0624-089	6		Nut, Lock
21	0673-994	1	S	Rail, Rub - Starboard
21	0673-954	1		Rail, Rub - Port
22	0624-030	48		Rivet
23	0624-258	2		Nut, Lock
24	0673-814	1		Plate, Ride
25	0623-725	2	/P	Clip, Retaining
26	1673-582	1	/P	Sponson - Starboard
26	1673-583	1	/P	Sponson - Port
27	0124-054	8	/P	Washer, Snap Cap
28	1673-057	8	S	Cover, Snap Cap
29	0624-271	12		Screw, Machine
30	0673-975	1	/P	Cover, Rub Rail
31	0624-228	4		Washer
32	1673-025	1		Handle, Grab
33	0624-186	6		Screw, Machine
34	0624-394	1	/P	U-Bolt
35	0673-656	1		Plate, Backup - Eyehook
36	1673-083	1		Gasket, Eyehook

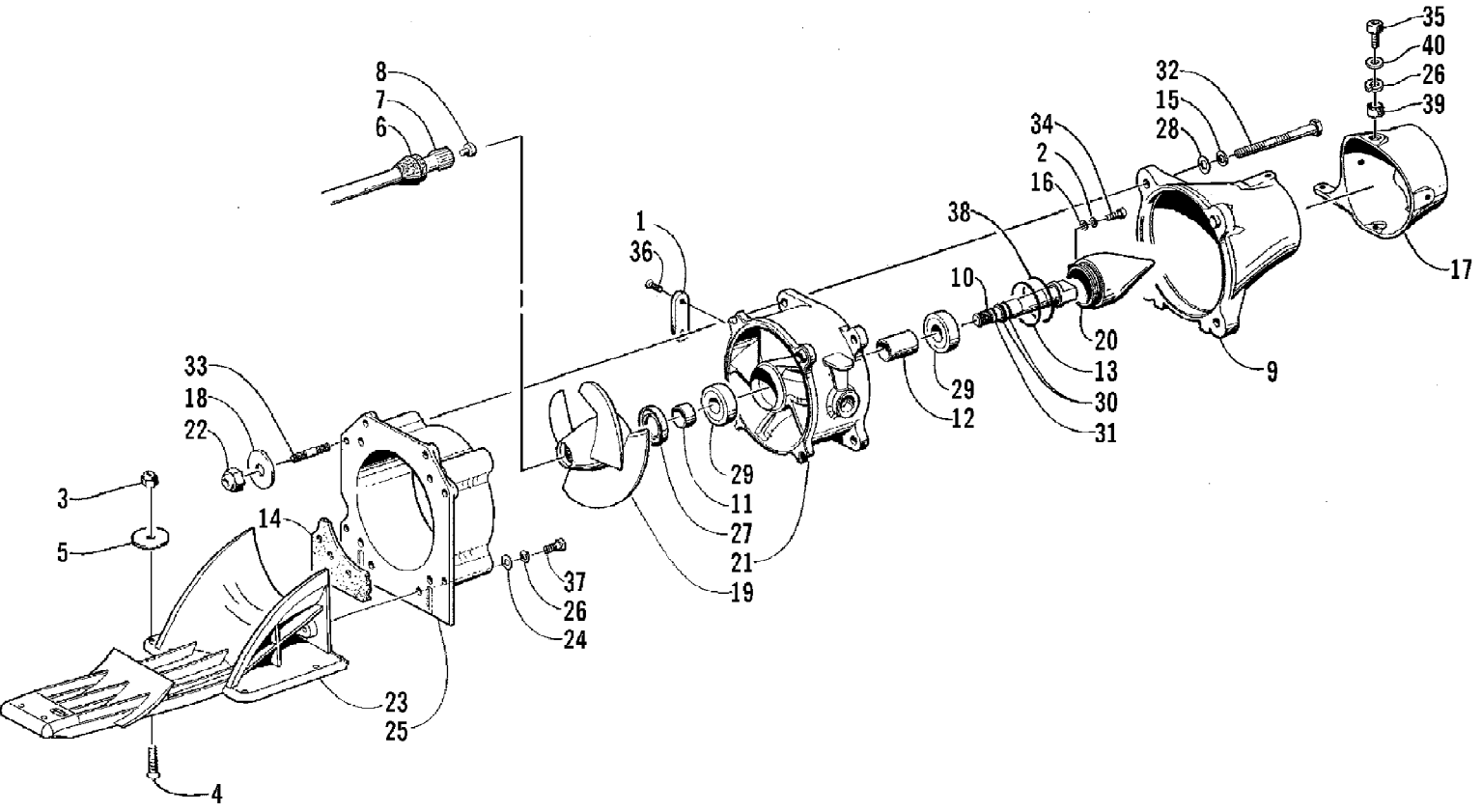
1999 TS 640 (W1999TSGAAUS-1999)
IGNITION COIL



1999 TS 640 (W1999TSGAAUS-1999)
IGNITION COIL

Page 30 of 55

Ref #	Part Number	Qty	S/P/F	Description
1	3008-532	1		Coil Assembly, Ignition
2	3008-220	2		Screw, Cap (640)
3	3003-023	2	/P	Washer
4	3008-334	2	/P	Grommet
5	3008-129	2	/P	Protector, Lead Wire
6	3008-045	1		Clip
7	3003-737	2	S	Cap Assembly, Spark Plug
8	3003-787	2		Tie, Cable
9	0710-273	0		Protector, HT Lead

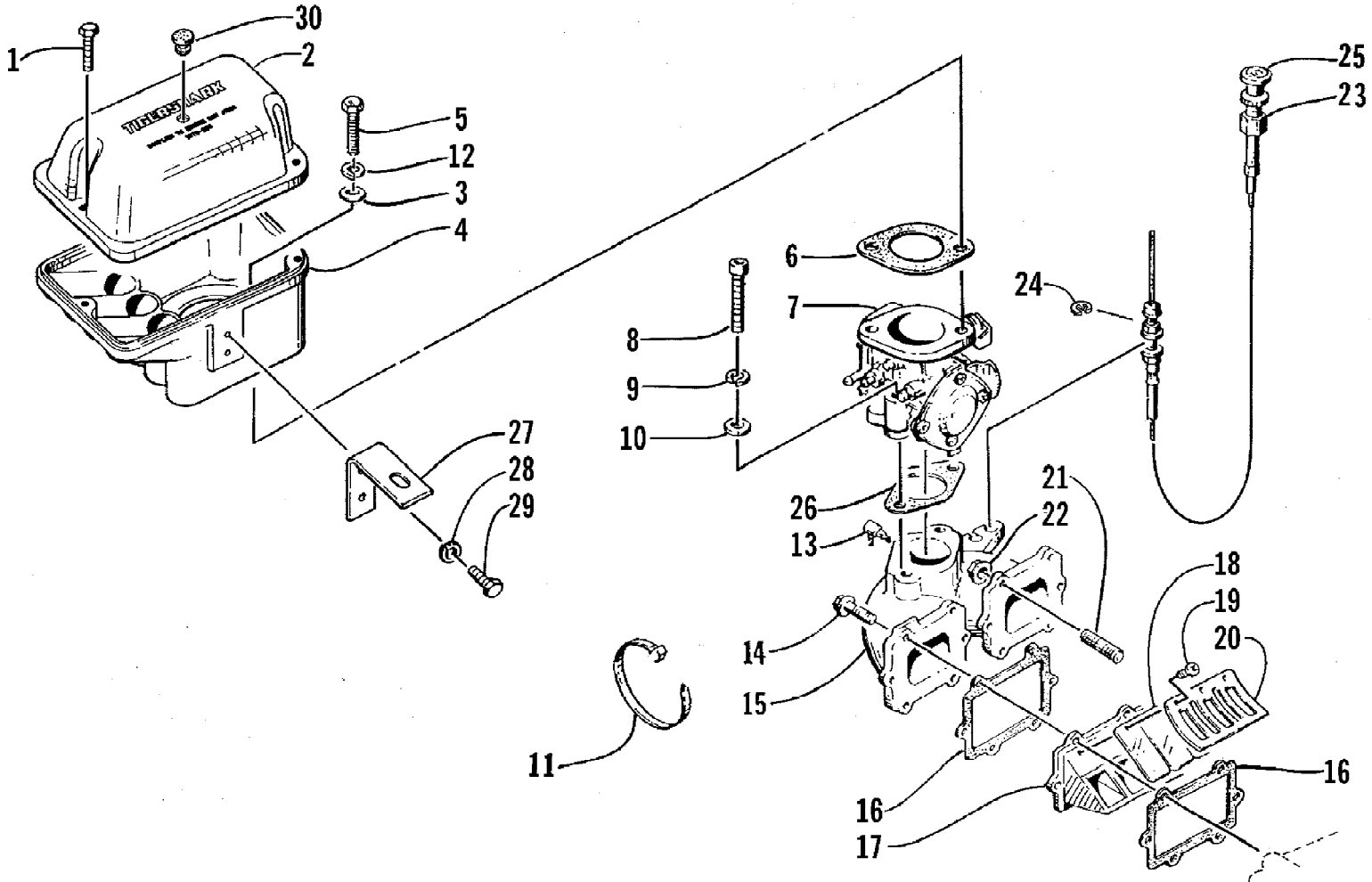


1999 TS 640 (W1999TSGAAUS-1999)
 IMPELLER DRIVE ASSEMBLY

Page 32 of 55

Ref #	Part Number	Qty	S/P/F	Description
1	0624-084	1		Anode, Zinc
2	0624-036	2		Washer, Lock
3	0624-250	6		Nut, Lock
4	0624-186	6		Screw, Machine
5	0624-182	6		Washer
6	0675-187	1		Grommet, Seal
7	0675-173	1		Driveshaft
8	0673-618	1	/P	Bumper, Driveshaft
9	0675-256	1		Venturi
10	0675-163	1	S	Shaft, Rear - Impeller
11	0675-085	1		Spacer, Impeller
12	0675-084	1		Spacer, Bearing
13	0675-127	1		O-Ring
14	0675-074	1		Gasket, Pump (640)
15	0624-012	4		Washer, Lock
16	0624-022	2		Washer
17	0675-257	1		Nozzle, Steering
18	0624-125	6	/P	Washer
19	0675-036	1	/P	Impeller (640)
20	0675-149	1	S	End Cap, Stator
21	0675-021	1		Stator (640)
22	0624-090	6		Nut, Lock
23	0675-336	1	/P	Grate, Inlet
24	0624-028	2		Washer
25	0775-020	1		Wear Ring (640)
26	0624-027	4		Washer, Lock
27	0675-119	1	S	Seal
28	0624-008	4		Washer
29	0673-609	2		Bearing, Stator
30	0673-608	2		O-Ring
31	0673-607	1		O-Ring
32	0624-386	4		Screw, Cap
33	0624-417	6		Stud
34	0624-314	2		Screw, Cap
35	0624-026	2		Screw, Cap
36	0624-184	2		Screw, Machine
37	0624-026	2		Screw, Cap
38	0675-078	1		O-Ring
39	0624-392	2		Spacer
40	0624-252	2	S	Washer

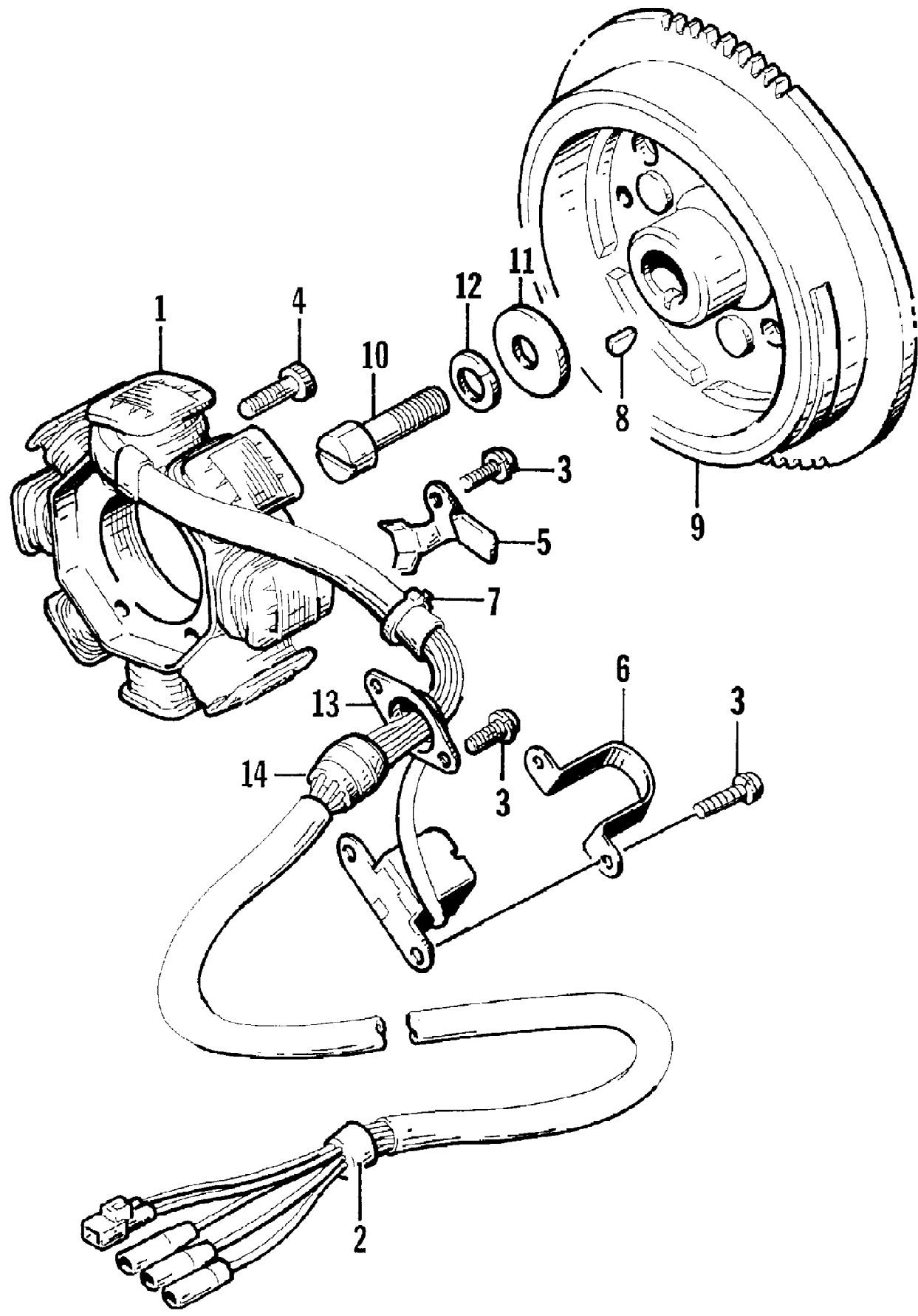
1999 TS 640 (W1999TSGAAUS-1999)
INTAKE ASSEMBLY



1999 TS 640 (W1999TSGAAUS-1999)
INTAKE ASSEMBLY

Page 34 of 55

Ref #	Part Number	Qty	S/P/F	Description
1	0624-408	3		Screw, Cap
2	1673-260	1		Cover, Sound Attenuator
3	0624-022	2		Washer
4	1673-259	1		Base, Sound Attenuator
5	0624-112	2	/P	Screw, Cap
6	1673-398	1		Gasket, Sound Attenuator
7	0670-745	1		Carburetor
8	0624-338	2	/P	Screw, Cap
9	0624-027	2		Washer, Lock
10	0624-028	2		Washer
11	0123-811	0		Tie, Cable
12	0624-036	2		Washer, Lock
13	3008-452	1		Fitting, Injection - Oil
14	3008-213	8	/P	Screw, Cap
15	0670-779	1		Manifold, Intake
16	3008-076	4	S	Gasket, Reed Valve
17	3008-073	2	S	Reed Valve Assembly (inc. 18-20)
18	3008-075	4		.Valve, Reed
19	3004-210	12		.Screw, Reed Valve
20	3008-074	4		.Stopper, Reed Valve
21	3008-370	4	/P	Bolt, Stud
22	3008-214	4		Nut, Flange
23	0687-051	1	/P	Nut, Choke Cable
24	0624-268	1		Ring, Retaining
25	0687-092	1	S	Cable, Choke
26	1673-090	1		Gasket, Intake
27	1673-545	1	/P	Brace, Sound Attenuator
28	0624-200	2		Washer, Lock
29	0624-155	2		Screw, Cap
30	1606-038	1		Plug

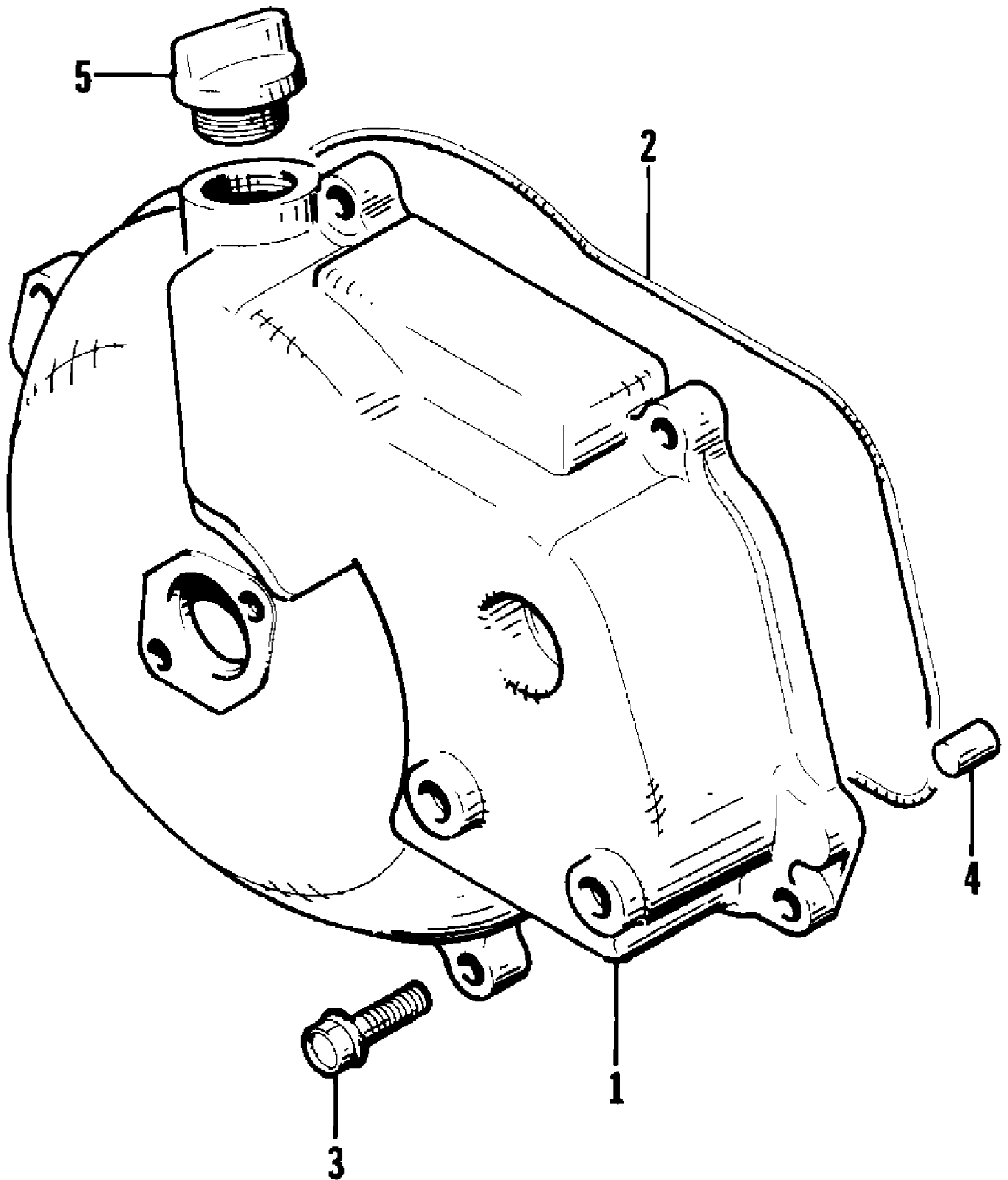


1999 TS 640 (W1999TSGAAUS-1999)
MAGNETO

Page 36 of 55

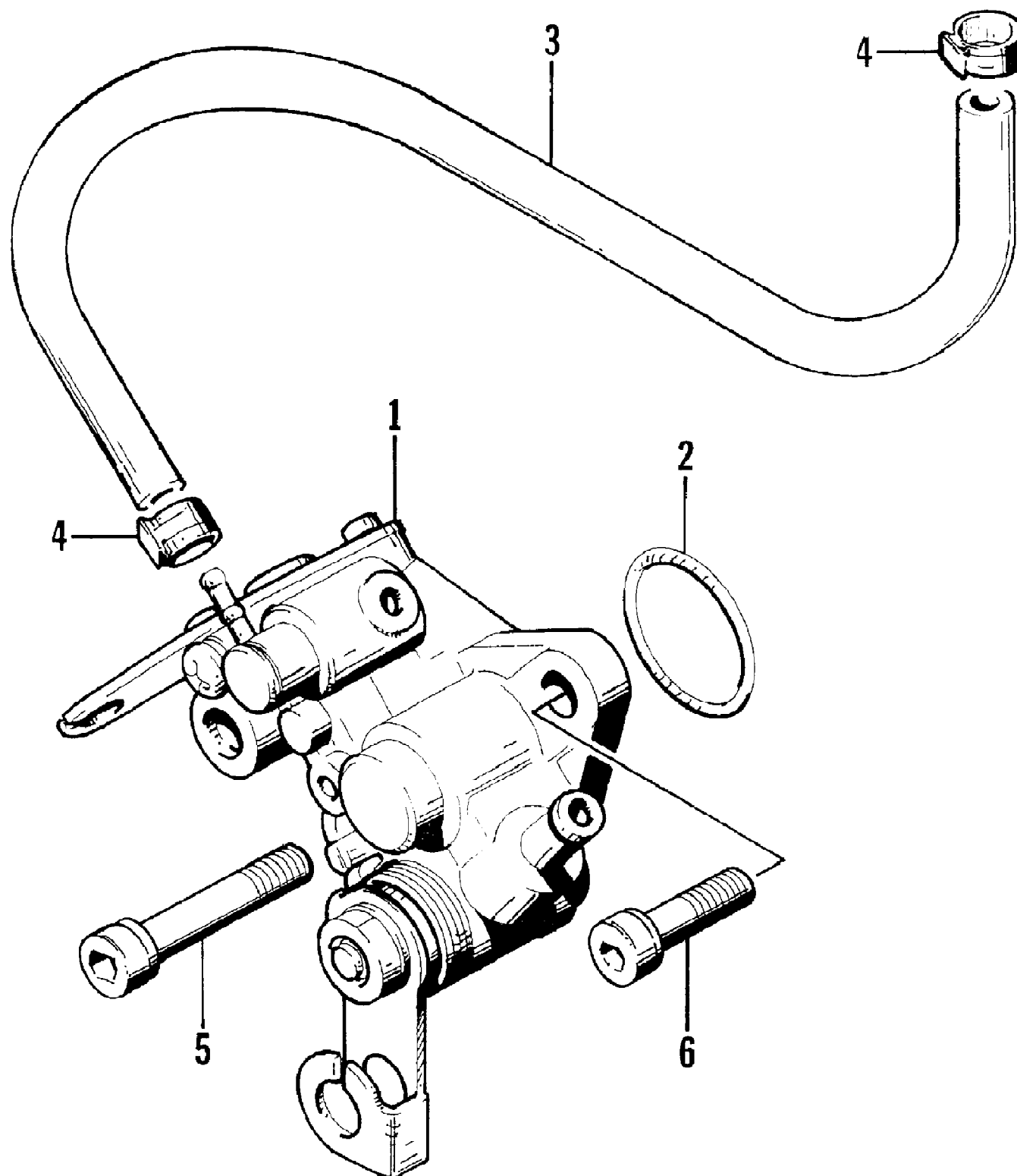
Ref #	Part Number	Qty	S/P/F	Description
1	3008-564	1	/P	Stator
2	3008-362	1	/P	Grommet
3	3004-706	5	S/P	Screw
4	3004-484	4	S	Screw, Cap
5	3008-109	1		Holder, Magneto Lead Wire
6	3008-331	1	/P	Clamp
7	3003-787	1		Tie, Cable (640)
8	3004-540	1	/P	Key
9	3008-602	1	/P	Flywheel
10	3008-388	1	S	Screw, Cap
11	3008-017	1		Washer
12	3004-362	1	S/P	Washer, Lock
13	3008-110	1		Holder, Grommet
14	3008-118	1		Grommet, Magneto Case

1999 TS 640 (W1999TSGAAUS-1999)
MAGNETO CASE



1999 TS 640 (W1999TSGAAUS-1999)
MAGNETO CASE

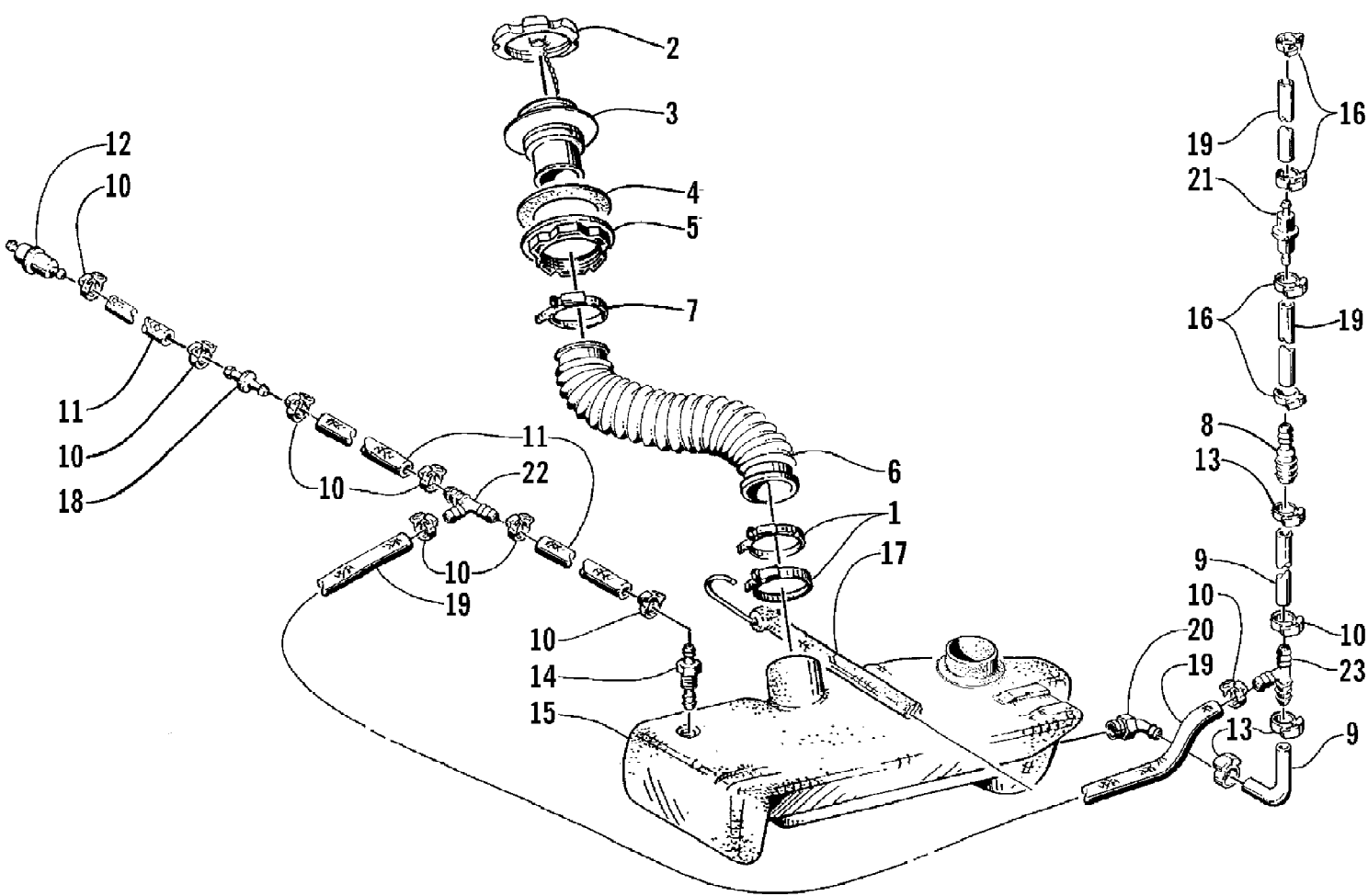
Ref #	Part Number	Qty	S/P/F	Description
1	3008-238	1	/P	Case, Magneto
2	3008-053	1		O-Ring
3	3008-213	6	/P	Screw, Cap
4	3008-146	2		Pin, Knock
5	3008-023	1		Plug



1999 TS 640 (W1999TSGAAUS-1999)
OIL PUMP

Page 40 of 55

Ref #	Part Number	Qty	S/P/F	Description
1	3008-486	1	/P	Oil Pump Assembly
2	3008-030	1		O-Ring
3	3008-035	1	/P	Hose
4	0624-291	2		Clamp, Hose
5	3008-242	1		Screw, Cap
6	3008-243	1		Screw, Cap



1999 TS 640 (W1999TSGAAUS-1999)
OIL TANK ASSEMBLY

Page 42 of 55

Ref #	Part Number	Qty	S/P/F	Description
1	0624-037	2		Clamp, Hose
2	0670-394	1		Cap, Oil
3	0670-428	1	S	Neck, Filler
4	0670-688	1		Gasket, Filler Neck
5	0670-548	1		Nut, Filler Neck
6	0670-801	1		Hose, Filler
7	0624-390	1		Clamp, Hose
8	0673-985	1		Union, Coupler
9	0610-263	0		Hose, Oil Line - 25 ft
10	0624-120	9		Clamp, Hose
11	0710-425	0	/P	Hose, Oil Line - 25 ft
12	0510-335	1	/P	Filter, Fuel
13	0623-646	3		Clamp, Hose
14	0670-762	1		Outlet, Tank
15	0670-719	1		Tank, Oil
16	0623-063	4		Clamp, Hose
17	0773-819	1	S	Tiedown Assembly
18	0610-059	1		Valve, Check
19	0610-016	0	/P	Hose, Oil Line - 25 ft
19	0610-015	0	/P	Hose, Oil Line - 100 ft
20	0673-984	1		Fitting, Elbow
21	0673-998	1		Filter, Oil
22	0109-332	1		Fitting, Tee
23	0670-818	1		Fitting, Tee

No
Diagram
Available

Parts List
Only

1999 TS 640 (W1999TSGAAUS-1999)
RELATED ITEMS

Page 44 of 55

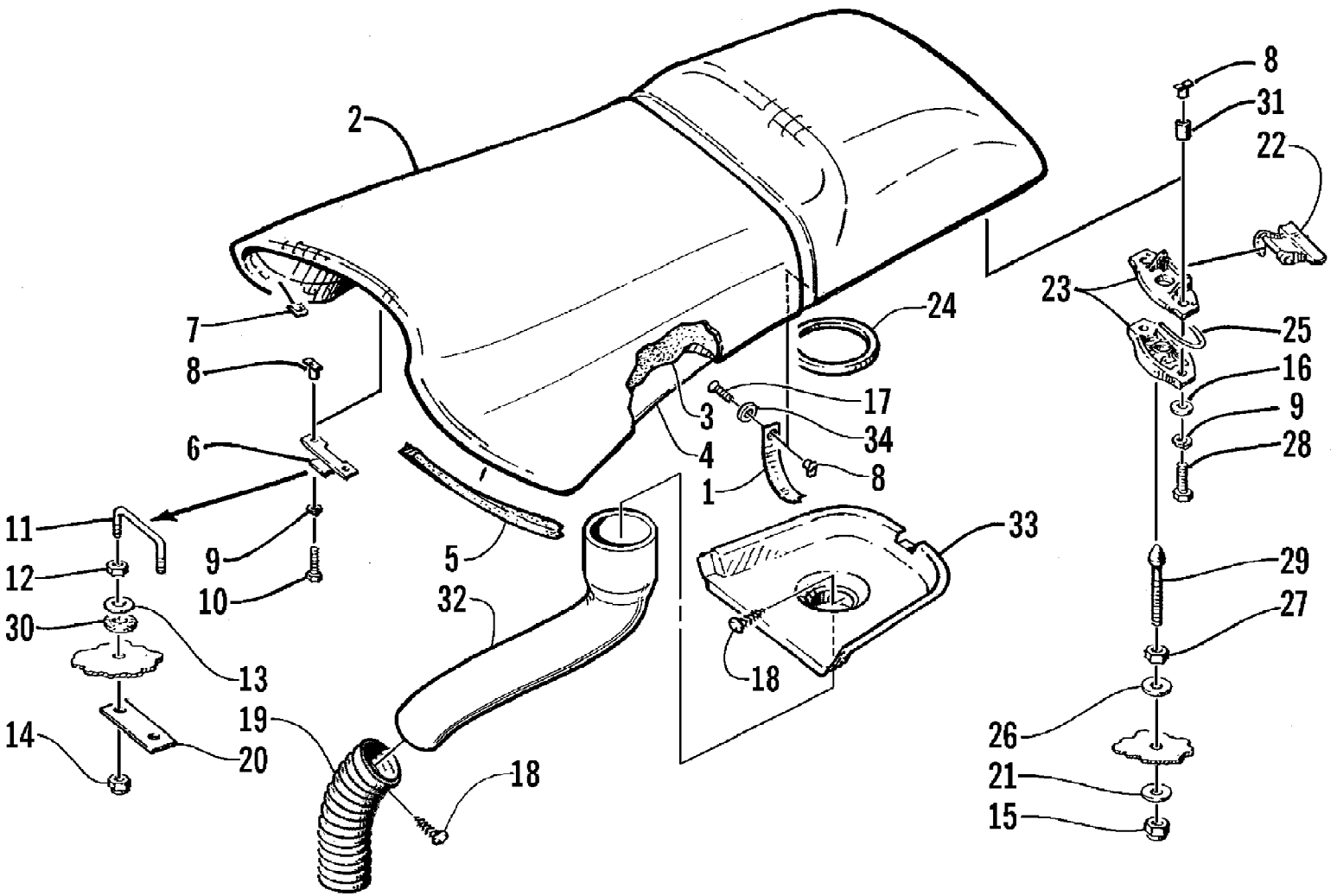
Ref #	Part Number	Qty	S/P/F	Description
	0678-325	1	/P	Anchor Bag
	0678-546	1	/P	Anchor , Grapnel w/Float
	0678-363	1	/P	Beach Dolly
	0678-370	1		Bilge Cleaner
	0678-380	1		Buoy Set
	0678-026	1		Cleaner - Tigershark
	0678-271	1		Corrosion X
	0678-540	1	/P	Cover, Premium
	0678-120	1		Drive Unit Lube
	0678-023	1	S	Engine Fogger
	0678-272	1		Fiberglass Sealant
	0678-534	1	/P	Fire Extinguisher
	0678-006	1	/P	Flush Kit - Standard Backflush
	0678-258	1		Flush Kit - Standard Backflush w/Valve
	0678-514	1		Flush Kit - Dlx - Forward, 5/8" Coupler
	0678-465	1		Footpad Kit - Black
	0678-515	1		Fuel Gauge Kit w/Low Oil Light (640 cc)
	0678-032	1		Fuel Stabilizer
	0652-033	1		Gelcoat, White - 1 Quart
	0652-086	1		Gelcoat, Caribbean Blue - 1 Quart (640 cc)
	0678-316	1		Gelcoat, Multicolor
	0678-389	1	/P	Grease Gun Cartridges, 3-Pack
	0678-348	1		Grease Gun Kit
	0678-209	1	S	Grip, Handlebar - Adhesive Glue
	0678-219	1		Grips, Handlebar - Black
	0678-137	1		Grips, Handlebar - Purple
	0678-136	1		Grips, Handlebar - Red
	0678-138	1		Grips, Handlebar - Teal
	0678-287	1		Grips, Handlebar - Yellow
	0678-362	1		Hourmeter, 2 1/16" Diameter
	0678-551	1		Hourmeter, Digital
	0678-390	1		Lanyard - Black/Yellow
	0678-539	1		Lanyard - Blue/Yellow
	0678-538	1		Lanyard - Green/Blue
	0678-364	1	/P	Lanyard - Purple/Yellow
	0678-537	1		Lanyard - Teal/Yellow
	0678-392	1		Lanyard - Yellow/Black
	0678-180	1		Lift Harness
	0678-135	1		Lock, Start/Stop Switch
	2255-992	1		Manual, Operator's
	2256-117	1		Manual, Illustrated Parts
	2256-121	1		Manual, Service
	0678-548	1		Mirror Kit - Caribbean Blue (640 cc)
	0678-358	1		Mooring Rope - Black
	0678-357	1		Mooring Rope - Blue
	0678-052	1	/P	Mooring Rope - Purple
	0678-054	1		Mooring Rope - Red
	0678-053	1		Mooring Rope - Teal
	0678-189	1	/P	Nylon Rope w/Clips
	0678-031	1		Octane Booster
	0678-312	1		Oil, Extreme - 55 Gallon Drum
	0678-288	1		Oil, Extreme - Gallon
	0678-289	1		Oil, Extreme - Quart

1999 TS 640 (W1999TSGAAUS-1999)
RELATED ITEMS

Page 45 of 55

Ref #	Part Number	Qty	S/P/F	Description
	0678-471	1		PWC Lift
	0678-550	1		Paddle w/Storage Case
	0652-082	1		Paint - Touch-Up, Caribbean Blue (640 cc)
	0652-035	1	/P	Paint - Touch-Up, White
	0678-185	1		Plug Caddy - Purple
	0678-149	1		Plug Caddy - Rivet-On
	0678-533	1		Registration Letters - Black/Silver
	0678-470	1		Registration Letters - Carbon Fiber
	0678-360	1		Registration Letters - Gold/Black
	0678-263	1		Registration Letters - Purple/Yellow
	0678-361	1		Registration Letters - Red/Black
	0678-532	1		Registration Letters - Red/Black
	0678-177	1		Registration Letters - Red/Purple
	0678-262	1		Registration Letters - Red/Yellow
	0678-178	1		Registration Letters - Teal/Purple
	0678-406	1	/P	Rope, Toy Connector - Purple
	0678-407	1		Rope, Toy Connector - Red
	0678-402	1	/P	Rope, Water Toy, 60 ft - Purple
	0678-403	1	/P	Rope, Water Toy, 60 ft - Red
	0678-457	1	/P	Rope, Water Ski, 60 ft - Purple
	0678-458	1	/P	Rope, Water Ski, 60 ft - Red
	0678-236	1		Shark Rope
	0678-469	1		Shark Stand
	0678-518	1		Speedometer Kit
	0678-374	1		Stor-Tech (tm) Plugs 2/Pkg
	0678-516	1		Tachometer Kit
	0678-371	1		Tie-Down, 2 Hook - Purple
	0678-372	1		Tie-Down, 2 Hook - Red
	0678-536	1		Tie-Down, 3 Hook - Red
	0678-025	1		Tigershark Wax
	0678-105	1		Tool Kit
	0678-463	1		Tube - Hydroshark , 2-Up
	0678-462	1		Tube - Hydroshark, 60"
	0678-464	1		Water Ski, Combo Set
	0678-393	1		Waterproof Bag
	0678-303	1		Waterproof Storage Case

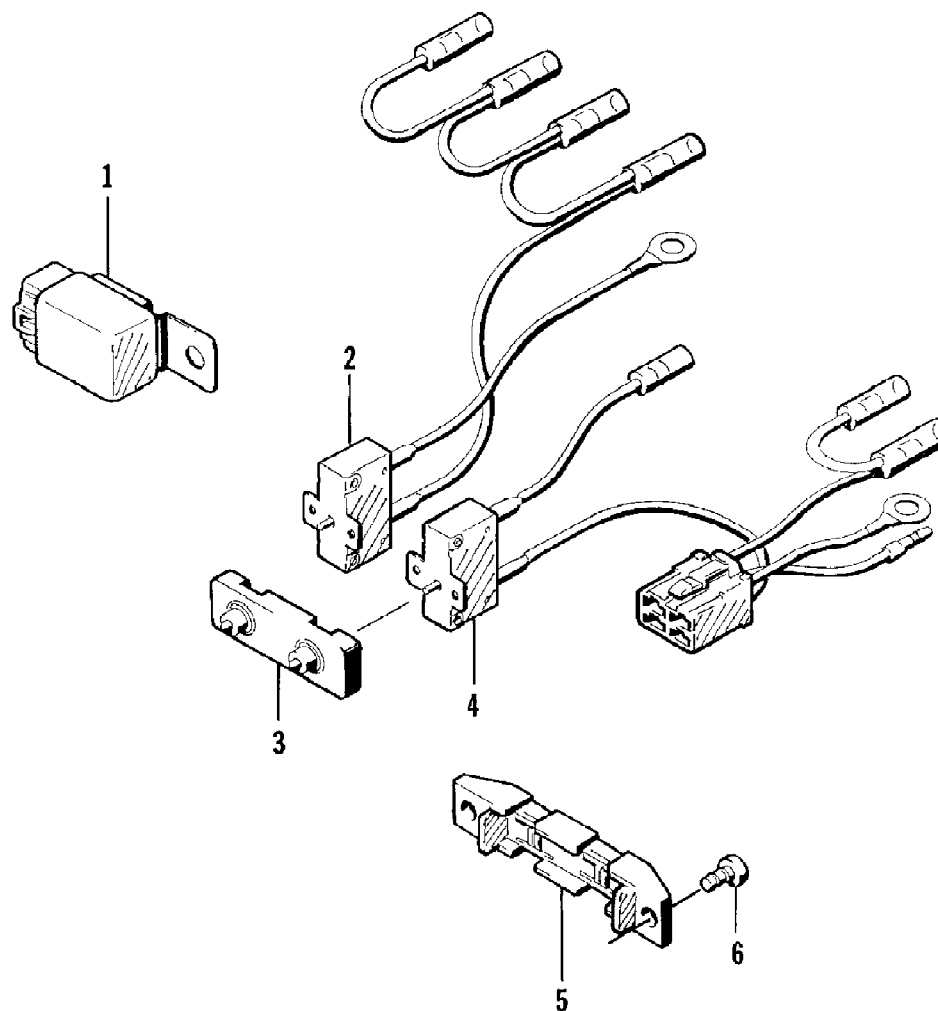
1999 TS 640 (W1999TSGAAUS-1999)
SEAT ASSEMBLY



1999 TS 640 (W1999TSGAAUS-1999)
SEAT ASSEMBLY

Page 47 of 55

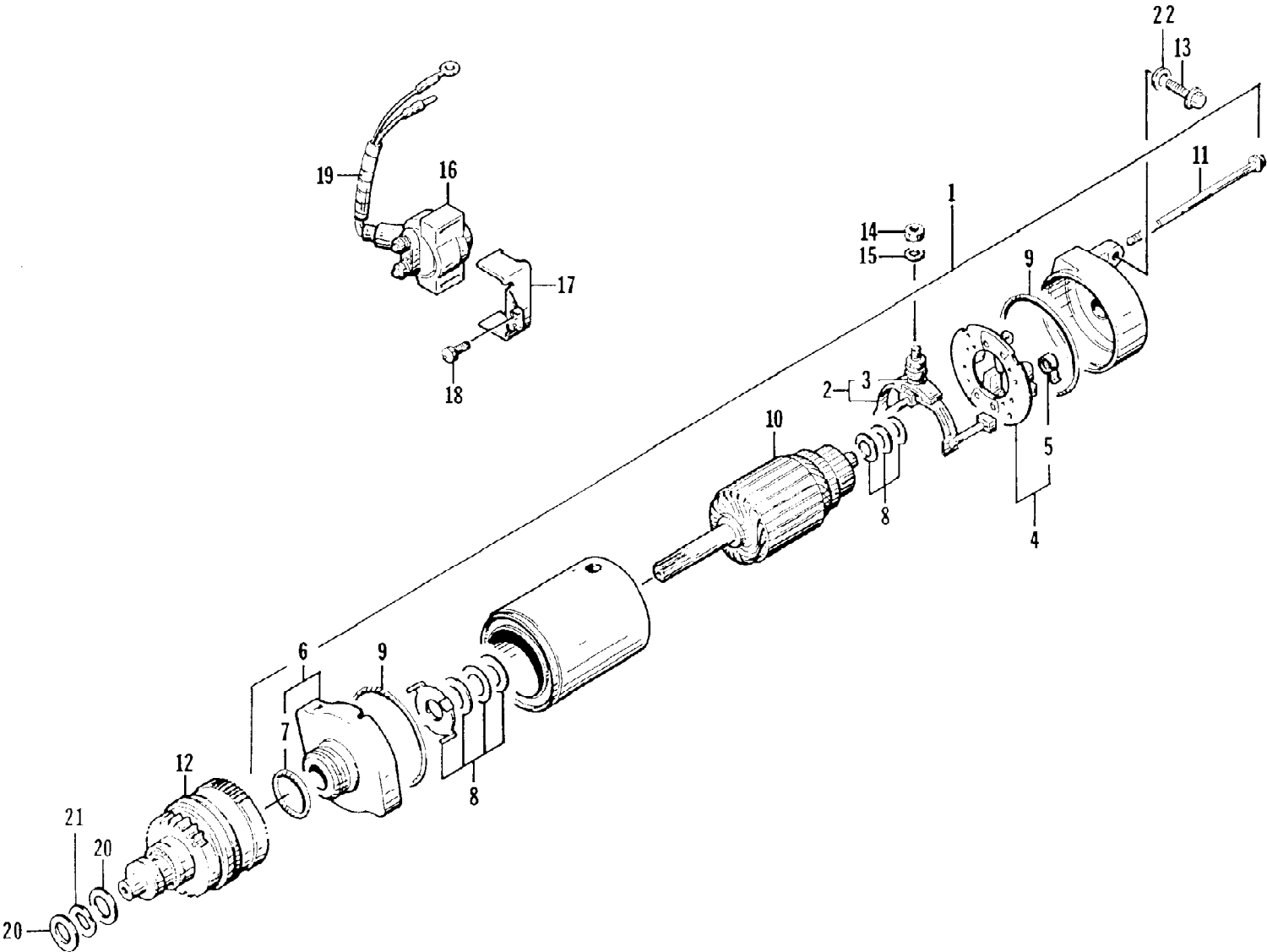
Ref #	Part Number	Qty	S/P/F	Description
	0773-952	1		Complete Seat Assembly (640)
1	1673-654	1		Strap, Seat (640)
2	0773-954	1		Cover, Seat (640)
3	0773-314	1		Foam, Seat
4	1673-039	1		Base, Seat
5	1673-396	1		Seal, Seat Base
6	0673-668	1		Catch, Seat
7	0624-263	0		Staple
8	0624-396	6		Nut
9	0624-036	4		Washer, Lock
10	0624-046	2		Screw, Cap
11	0624-262	1	F	U-Bolt, Seat*
12	0624-061	2	F	Nut*
13	0624-125	2	/P/F	Washer*
14	0624-090	2	F	Nut, Lock*
15	0624-009	1	F	Nut*
16	0624-022	2		Washer
17	0624-272	2		Screw, Machine
18	0623-585	6	F	Clip, Christmas Tree
19	0610-261	1	F	Hose, Air Exhaust
20	0673-752	1	F	Plate, Backing
21	0624-159	1	F	Washer*
22	0673-026	1		Lever, Release - Seat Latch
23	0773-941	1	/P	Housing, Latch
24	1673-669	1	F	Seal, Vent - Seatbase
25	0673-023	1		Clip, Spring Retaining
26	0624-013	1	F	Washer
27	0624-047	1	F	Nut
28	0624-302	2		Screw, Cap
29	1673-383	1	/P/F	Stud, Seat Latch
30	0624-126	2	F	Washer, Rubber
31	0623-698	2		Spacer, Seat Latch
32	0610-401	1		Hose, Air
33	1673-203	1	F	Vent, Seatbase
34	0624-293	2		Washer, Backup



1999 TS 640 (W1999TSGAAUS-1999)
SENSOR ASSEMBLY

Page 49 of 55

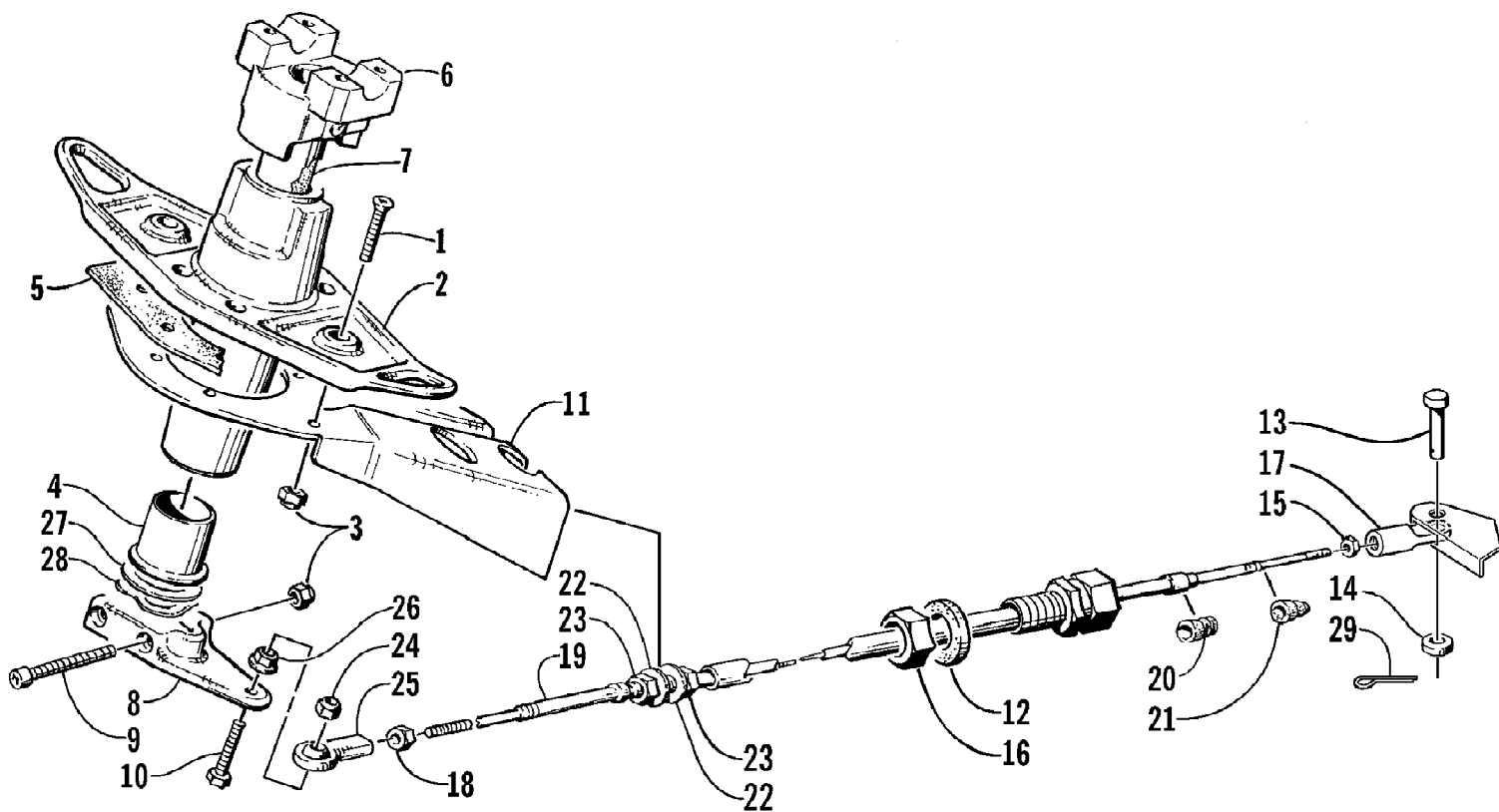
Ref #	Part Number	Qty	S/P/F	Description
1	3008-297	1	/P	Relay Assembly
2	3008-348	1	S	Protector, Circuit Charge
3	3008-351	1		Cap, Circuit Protector
4	3008-350	1	/P	Protector, Circuit Load
5	3008-294	1	/P	Holder, Circuit Protector
6	3008-313	2		Screw



1999 TS 640 (W1999TSGAAUS-1999)
STARTER MOTOR

Page 51 of 55

Ref #	Part Number	Qty	S/P/F	Description
1	3008-536	1	/P	Starter Motor Assembly (inc. 2-11)
2	3008-094	1	/P	. Terminal Set, Brush (inc. 3)
3	3008-164	1		O-Ring
4	3008-095	1	/P	. Holder Set, Brush (inc. 5)
5	3008-096	4		Spring, Brush
6	3008-328	1	/P	. Front Bracket Assembly (inc. 7)
7	3008-363	1	/P	O-Ring
8	3008-099	2		. Shim Set
9	3008-101	2	S	. O-Ring
10	3008-103	1		. Armature
11	3008-102	2		. Screw, Cap
12	3008-387	1	/P	Pinion Assembly
13	3008-400	2		Screw, Cap
14	3008-014	1		Nut
15	3008-020	1		Washer, Lock
16	3008-165	1	/P	Relay, Starter Motor
17	3008-140	1		Bracket
18	3008-313	2		Screw, Cap
19	3008-135	1	S	Tube
20	3008-480	2	/P	Washer
21	3008-221	1		Washer, Starter Shim
22	3008-420	2	/P	Washer

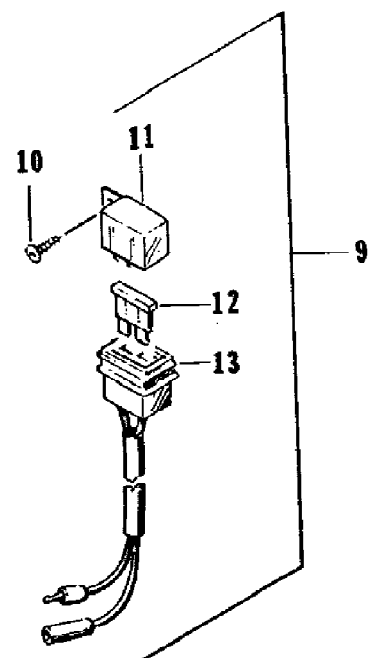
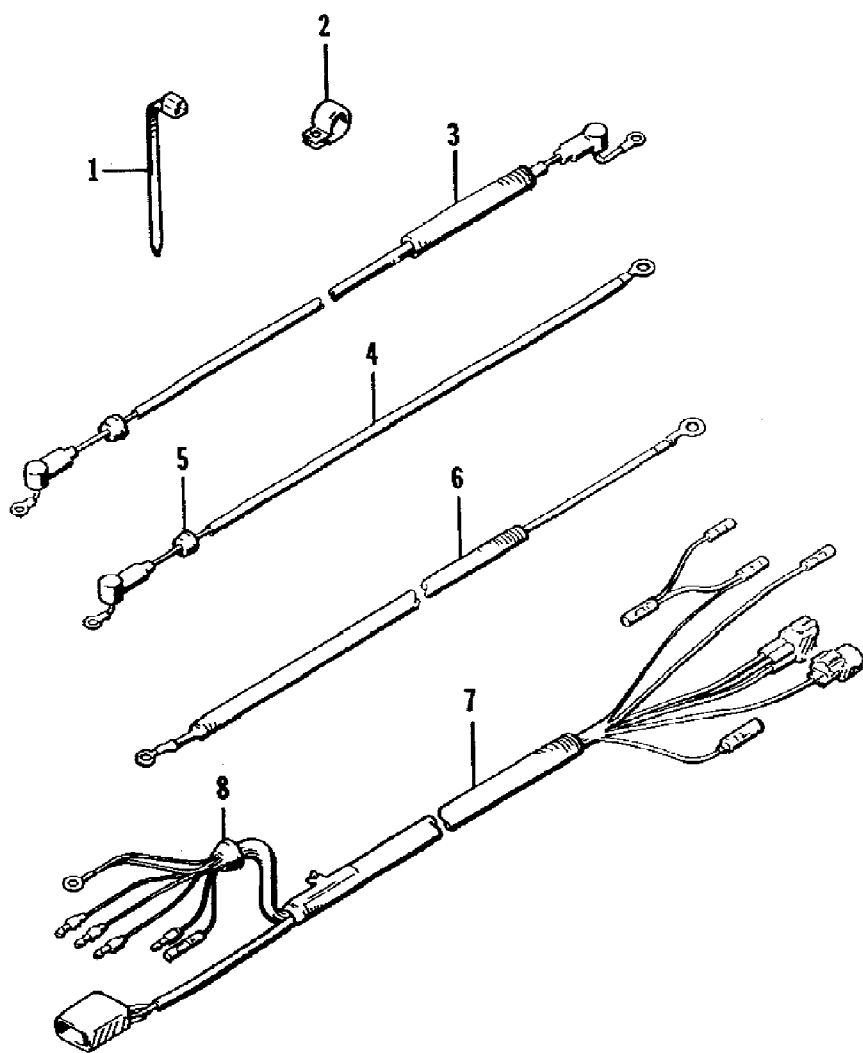


1999 TS 640 (W1999TSGAAUS-1999)
STEERING POST ASSEMBLY

Page 53 of 55

Ref #	Part Number	Qty	S/P/F	Description
1	0624-464	6		Screw, Machine
2	0605-046	1		Housing, Steering
3	0624-250	8		Nut, Lock
4	0605-055	2		Bearing, Flange
5	0605-391	1		Gasket, Steering Housing
6	0605-377	1		Post, Steering
7	0717-052	0	/P	Foam, Neoprene Tape
8	0605-072	1		Arm, Steering
9	0624-456	2	/P	Screw, Cap
10	0624-476	1		Screw, Machine
11	0605-379	1		Bracket, Steering Cable
12	1673-193	1		Gasket, Cable - Foam
13	0624-502	1		Pin, Clevis
14	0624-182	1		Washer
15	0624-279	1		Nut
16	0623-669	1		Nut, Steering Cable
17	0605-422	1		End, Steering Cable
18	0624-107	1		Nut
19	1673-653	1		Cable, Steering
20	0612-364	1		Cover, Thread Cap - Steering Cable
21	0612-363	1		Seal, Rod
22	0624-106	2		Washer
23	0624-105	2		Nut
24	0624-089	1		Nut, Lock
25	0673-931	1		End, Steering Cable
26	0624-233	1		Nut, Flange
27	0624-468	2		Washer
28	0624-469	2		Washer, Wave
29	0624-505	1		Pin, Cotter

1999 TS 640 (W1999TSGAAUS-1999)
WIRING HARNESS



1999 TS 640 (W1999TSGAAUS-1999)
WIRING HARNESS

Page 55 of 55

Ref #	Part Number	Qty	S/P/F	Description
1	3008-044	1		Tie, Cable
2	3008-332	2		Clamp
2	3008-357	2		Clamp
3	3008-346	1		Cable, Starter
4	3008-345	1	/P	Cable, Battery
5	3008-334	2	/P	Grommet
6	3008-154	1		Cable, Ground
7	3008-347	1		Harness, Wiring
8	3008-362	1	/P	Grommet
9	0686-427	1		Harness, Bilge (inc. 11-13)
10	0623-165	1	/P	Clip, Christmas Tree
11	0	1	F	Cover, Fuse Holder
12	0630-056	1		Fuse, 3 AMP
13	0	1	F	Body, Fuse Holder