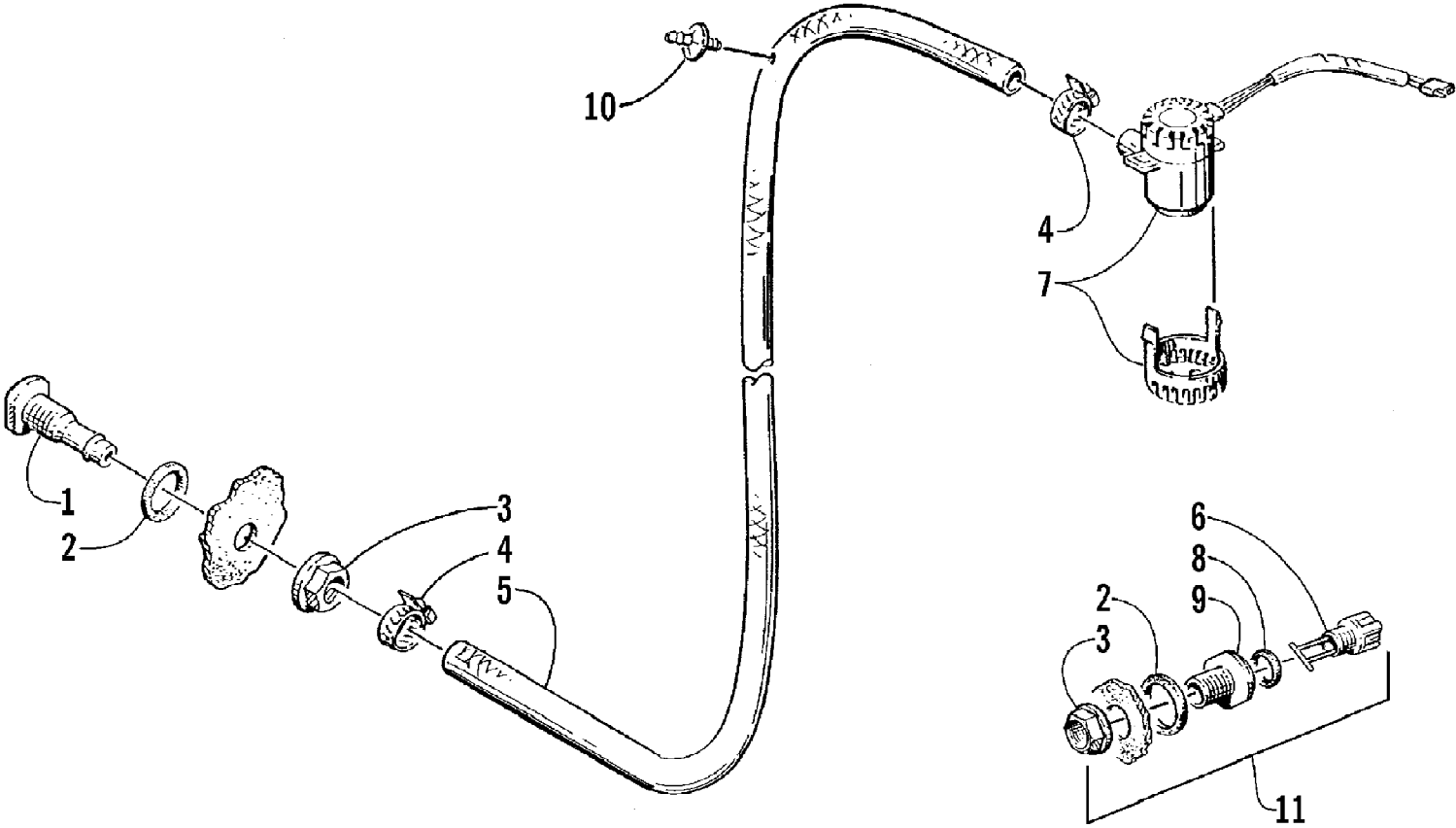


1999 TS 1100 LI (W1999TSPLAUS)
BILGE PUMP ASSEMBLY

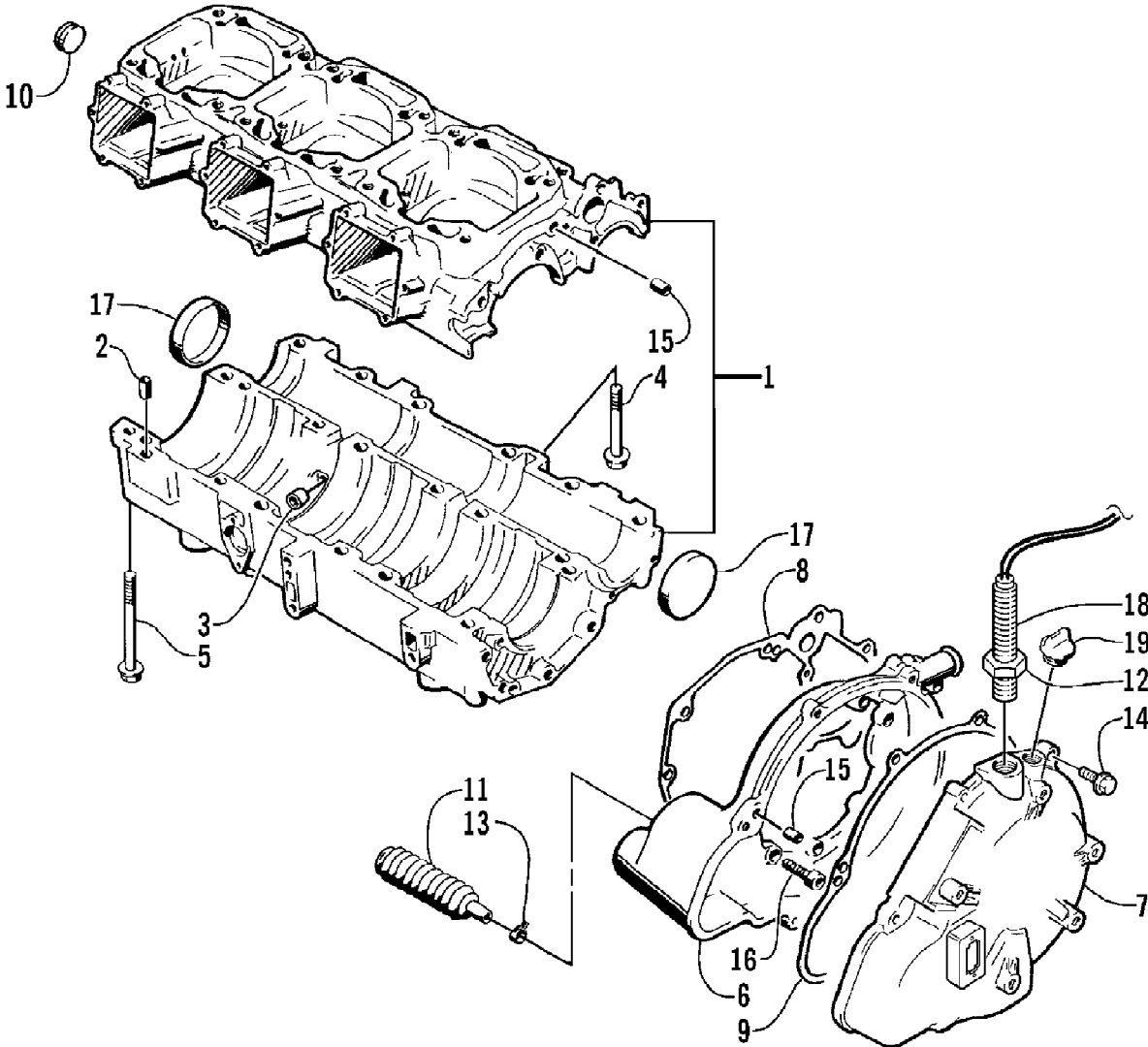


1999 TS 1100 LI (W1999TSPLAUS)
BILGE PUMP ASSEMBLY

Page 2 of 64

Ref #	Part Number	Qty	S/P/F	Description
1	0673-377	1		Fitting, Outlet - Bilge
2	0612-456	2		Seal, Fitting
3	0623-753	2	/P	Nut, Fitting
4	0624-018	2		Clamp, Hose
5	0710-276	1		Hose, Bilge
6	0673-404	1		Plug, Drain
7	1673-660	1	/P	Pump, Bilge
8	0673-459	1		O-Ring
9	0673-278	1		Retainer, Drain Plug
10	0610-059	1		Valve, Check
11	0678-565	1		Kit, Hull Drain (inc. 2-3, 6 and 8-9)

1999 TS 1100 LI (W1999TSPLAUS)
CRANKCASE ASSEMBLY

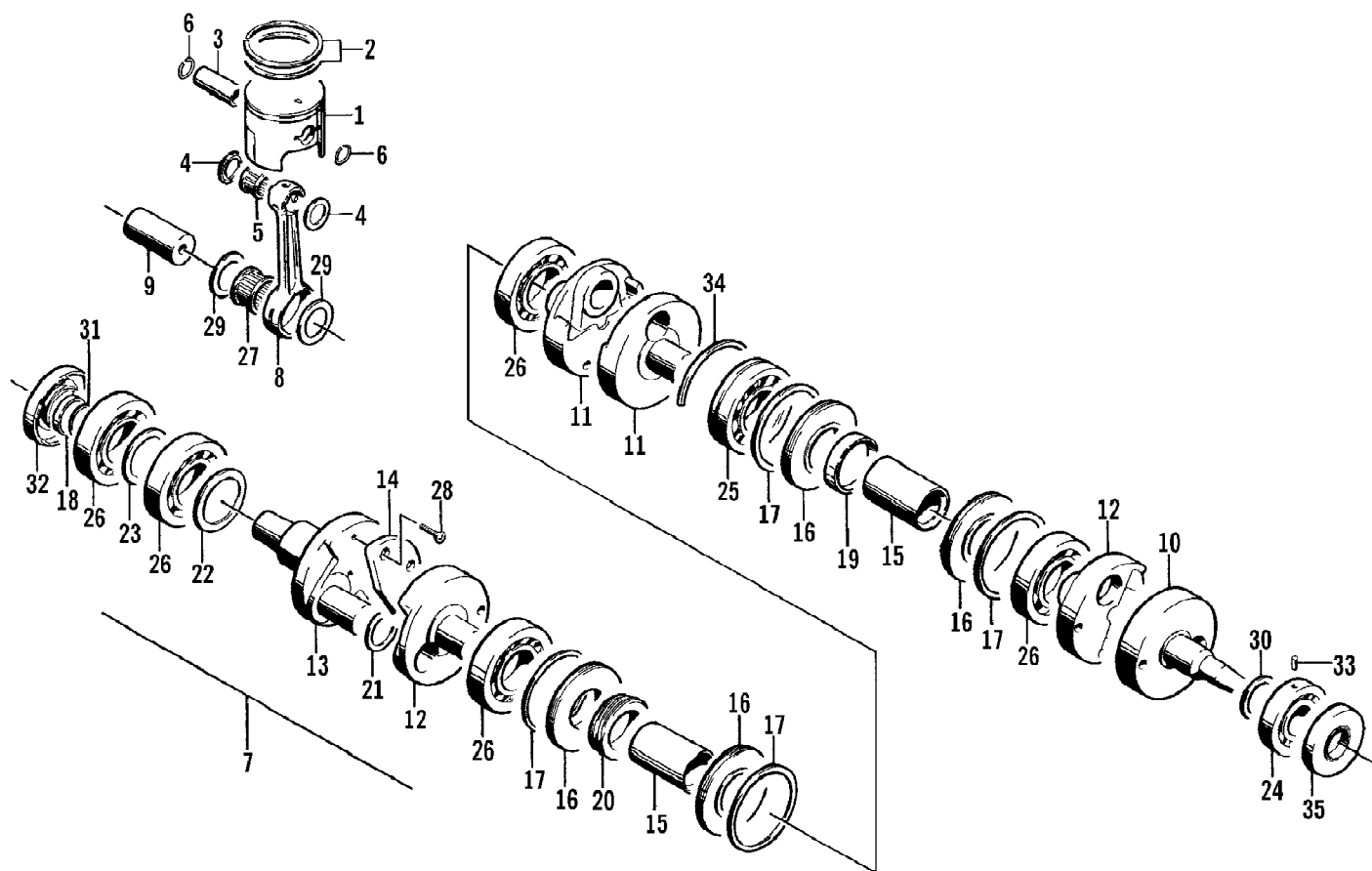


1999 TS 1100 LI (W1999TSPLAUS)
CRANKCASE ASSEMBLY

Page 4 of 64

Ref #	Part Number	Qty	S/P/F	Description
1	3008-627	1		Crankcase Assembly (inc. 2-5)
2	3003-646	2		Pin, Knock
3	3003-289	1		Bushing
4	3008-212	6	/P	Screw, Cap
5	3008-301	14		Bolt
6	3008-598	1		Case, Magneto
7	3008-620	1		Cover, Magneto Case
8	3008-570	1	/P	Gasket, Magneto Case
9	3008-591	1		Gasket, Magneto Case Cover
10	3008-249	1		Plug, Water Gallery
11	3008-100	1		Bladder
12	0623-648	1		Nut, Brass
13	3008-546	1		Clip
14	3008-595	12		Screw, Cap
15	3002-012	4		Pin, Knock
16	3008-533	6		Bolt
17	3004-202	2		Plug, Balancer Shaft
18	3670-017	1		Sensor, Timing
19	3008-023	1		Plug, Timing Hole

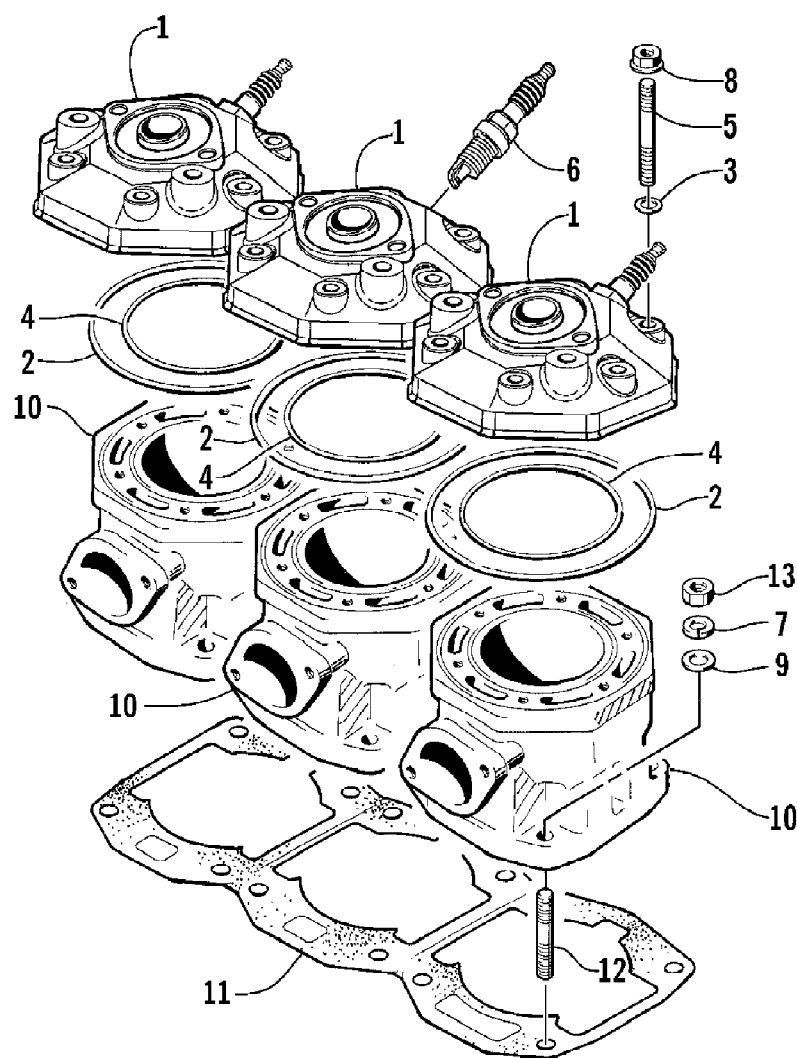
1999 TS 1100 LI (W1999TSPLAUS)
CRANKSHAFT ASSEMBLY



1999 TS 1100 LI (W1999TSPLAUS)
CRANKSHAFT ASSEMBLY

Page 6 of 64

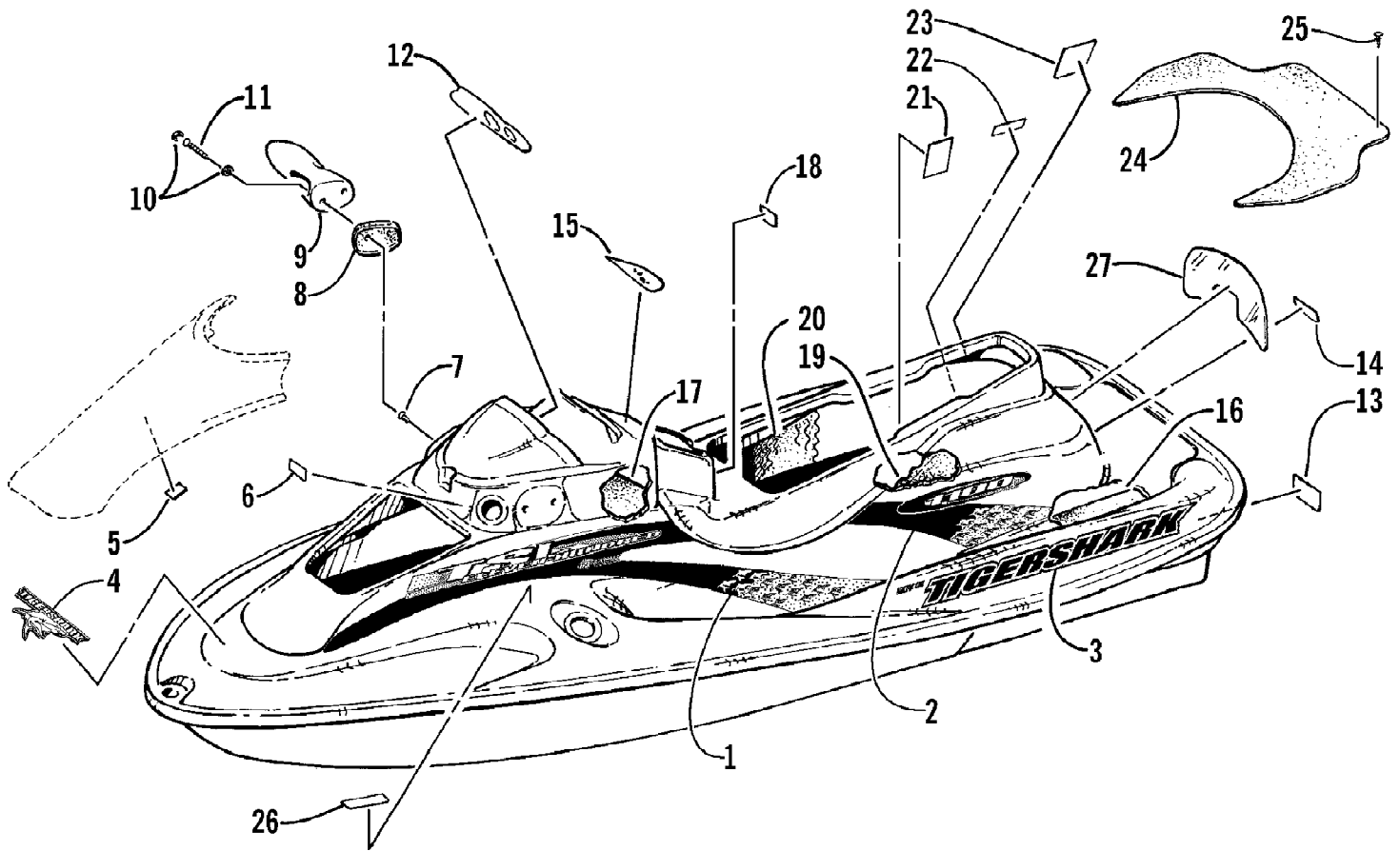
Ref #	Part Number	Qty	S/P/F	Description
1	3008-592	3	/P	Piston Assembly
2	3008-593	3		Ring Set, Standard
3	3008-594	3	S	Pin, Piston
4	3008-582	6		Washer, Piston Pin
5	3008-583	3		Bearing, Piston Pin
6	3008-585	6		Circlip, Piston Pin
7	3008-631	1		Crankshaft Assembly (inc. 8-30)
8	3008-596	3		Rod, Connecting
9	3004-700	1	/P	Pin, Crank
10	3008-638	1		Crankshaft - Right
11	3008-513	2		Crankshaft - Center
12	3008-514	2	S	Crankshaft - Center
13	3008-515	1	S	Crankshaft - Left
14	3008-516	1		Balancer, Crankshaft
15	3005-312	2	/P	Pipe, Crankshaft Joint
16	3004-167	4		Race, Center Crank Seal
17	3004-168	4		Ring, Center Crank Seal
18	3008-517	1		Spacer, Crankshaft
19	3004-172	1	S	Gear, Balancer Shaft Drive
20	3004-178	1		Gear, Oil Pump Drive
21	3004-147	1		Washer, Crank Pin
22	3004-204	1		Washer, Crank Bearing
23	3008-501	1	/P	Washer, Crank Bearing
24	3004-632	1	S	Bearing, Crankshaft
25	3004-151	1		Bearing, Crankshaft
26	3004-152	5		Bearing, Crankshaft
27	3008-584	3		Bearing, Crank Pin
28	3004-372	3	S	Screw, Crank Balancer
29	3008-603	5		Washer, Crank Pin
30	3008-633	1		Washer, Crank Bearing
31	3008-530	1		O-Ring, Spacer
32	3008-634	1		Seal, Crankshaft Oil - Left
33	3003-658	7	/P	Pin, Knock
34	3004-157	1		C-Ring, Crankshaft
35	3008-525	1	/P	Seal, Crankshaft Oil - Right



1999 TS 1100 LI (W1999TSPLAUS)
CYLINDER ASSEMBLY

Page 8 of 64

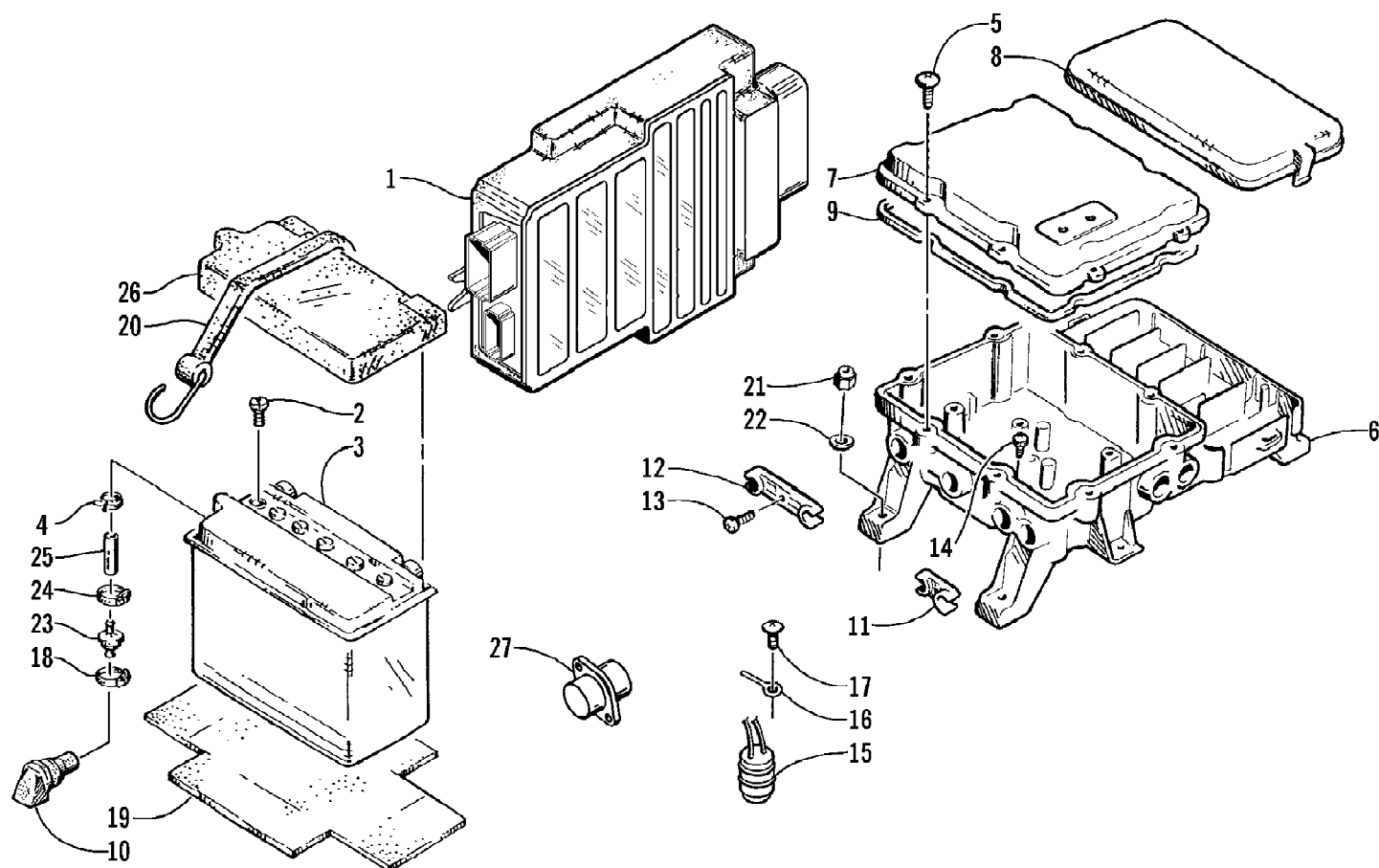
Ref #	Part Number	Qty	S/P/F	Description
1	3008-618	3	S	Head, Cylinder
2	3004-081	3		O-Ring, Head - Outer
3	3003-227	18	/P	O-Ring
4	3003-335	3	/P	O-Ring, Head - Inner
5	3008-389	18	S	Stud, Cylinder
6	0217-715	3	S	Plug, Spark (QC12PEP)
7	3008-207	12	/P	Washer, Lock
8	3008-309	18	S	Nut
9	3008-237	12	S	Washer
10	3008-587	3		Cylinder
11	3008-588	1	/P	Gasket, Cylinder
12	3008-300	12		Stud, Bolt
13	3008-209	12	/P	Nut



1999 TS 1100 LI (W1999TSPLAUS)
DECAL AND FOOTPAD ASSEMBLY

Page 10 of 64

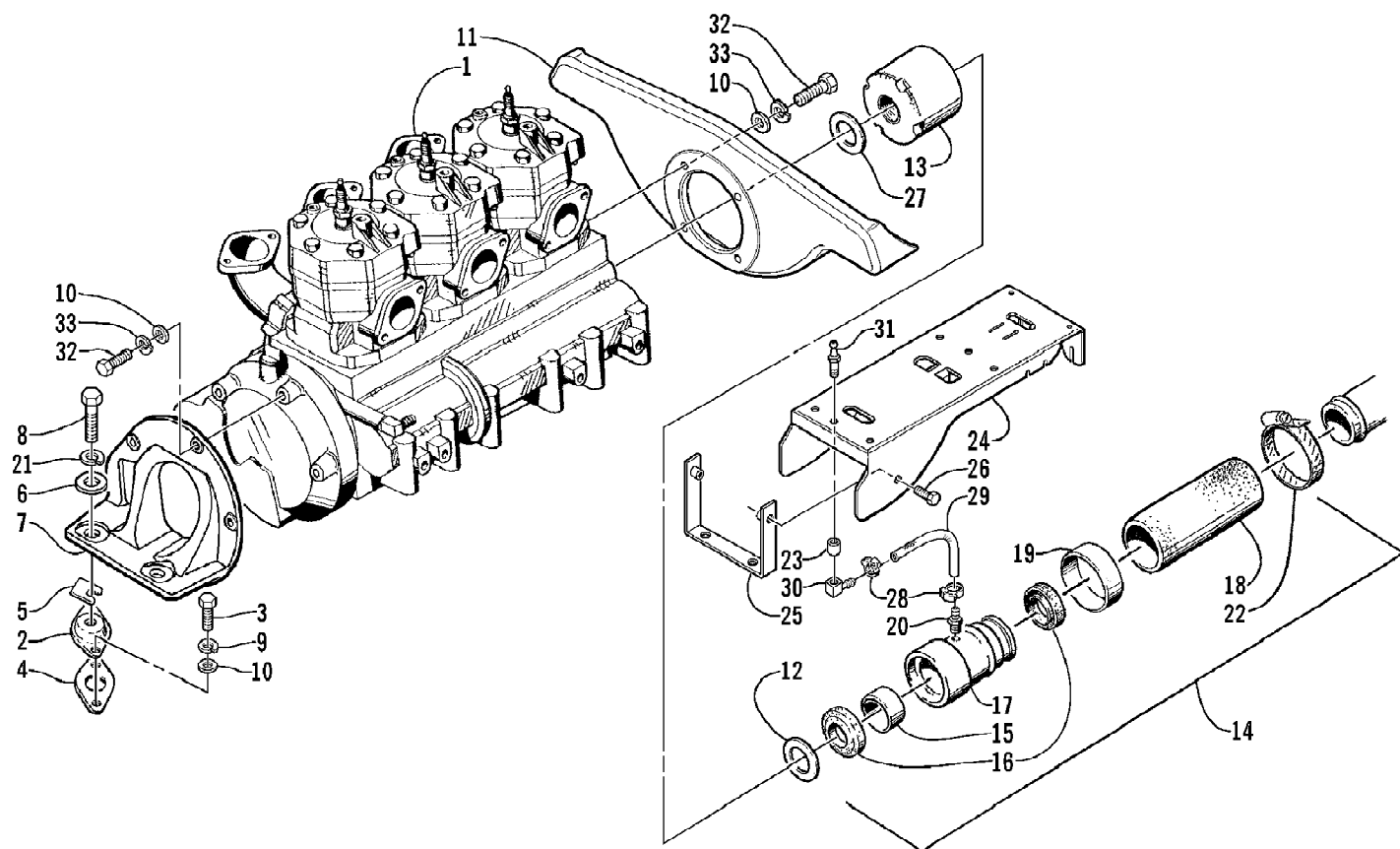
Ref #	Part Number	Qty	S/P/F	Description
1	0614-518	1		Decal, Deck - Forward - Starboard
1	0614-519	1		Decal, Deck - Forward - Port
2	0614-520	1		Decal, Deck - Aft - Starboard
2	0614-521	1		Decal, Deck - Aft - Port
3	0614-522	1		Decal, Deck - "Tigershark" - Starboard
3	0614-523	1		Decal, Deck - "Tigershark" - Port
4	0614-526	1		Decal, Crest
5	0614-431	2		Decal, Loading
6	0614-300	1		Decal, Oil
7	0623-737	4		Insert, Brass
8	1673-120	1		Gasket, Mirror Mounting - Starboard
8	1673-127	1		Gasket, Mirror Mounting - Port
9	1673-648	1	/P	Mirror Assembly - Starboard
9	1673-649	1	/P	Mirror Assembly - Port
10	0124-054	4	/P	Snap w/Washer
11	0624-187	4		Screw, Cap
12	0614-583	1		Decal, Instrument Panel
13	0614-154	1		Decal, Caution - Uprighting
14	0614-358	1		Decal, Patent
15	0614-524	1		Decal, Console
16	0617-262	2		Foam, Footwell
17	0617-284	1		Foam, Deck - Forward - Starboard
17	0617-285	1		Foam, Deck - Forward - Port
18	1611-866	1		Warning - Leaking Fuel
19	0617-281	1		Foam, Deck - Aft - Port
20	0617-292	1		Foam, Deck - Aft - Starboard
21	0614-404	1		Decal, Winterization
22	0614-059	1		Decal, Common Sense
23	0614-067	1		Decal, USCG Exemption
24	1673-419	1		Pad, Foot - Rear
25	0623-725	20	/P	Clip, Retainer
26	0614-299	1		Decal, Warning - Fuel
27	0614-350	1		Decal, Regulation



1999 TS 1100 LI (W1999TSPLAUS)
ELECTRICAL MODULE AND BATTERY

Page 12 of 64

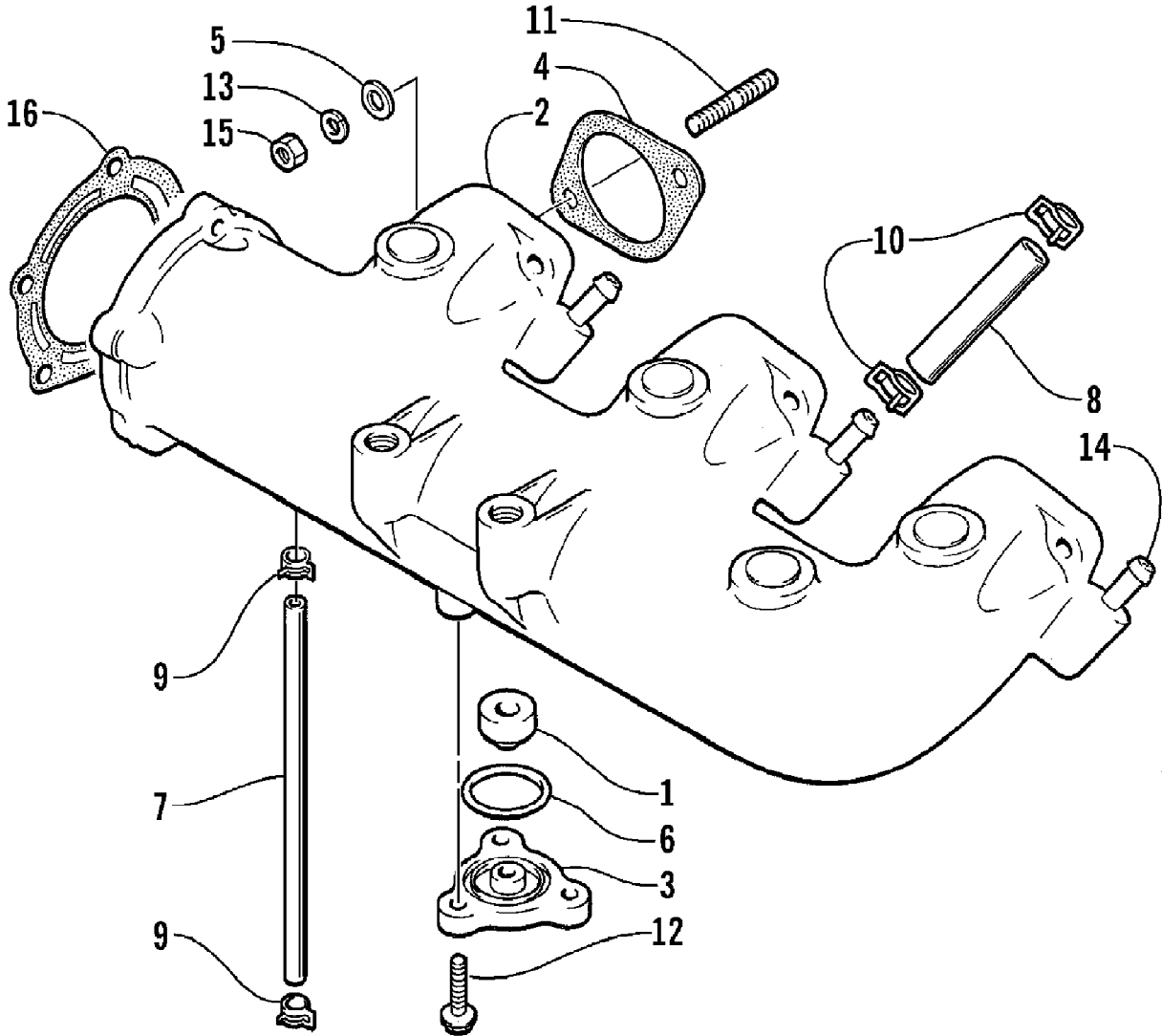
Ref #	Part Number	Qty	S/P/F	Description
1	3670-019	1		EMM
2	0645-045	6		Cap, Battery
3	0645-157	1		Battery (inc. 28)
4	0624-323	1		Clamp, Hose - Battery
5	3008-478	8		Screw
6	0708-090	1		Case
7	3008-283	1	/P	Cover, Electrical
8	3008-282	1		Cover, Connector Case
9	3008-285	1	/P	Packing
10	0673-755	1		Vent, Thru Hull - w/Hood
11	3008-124	2		Holder
12	3008-125	1		Holder
13	3008-477	4		Screw
14	3008-217	1		Screw
15	3670-016	1		Sensor, Engine Temp
16	0609-473	1		Retainer, Temp Sensor
17	3008-219	1		Screw, Machine
18	0623-063	1		Clamp, Hose
19	1673-310	1	S	Pad, Battery
20	0733-382	3		Tiedown
21	0624-089	4		Nut, Lock
22	0624-022	4		Washer
23	0670-295	1		Valve, Check
24	0623-502	1		Clamp, Hose
25	0610-008	1	/P	Hose, Battery Vent
26	0673-454	1		Cover, Battery
27	3670-015	1		Sensor, Air Temp



1999 TS 1100 LI (W1999TSPLAUS)
ENGINE AND RELATED ASSEMBLY

Page 14 of 64

Ref #	Part Number	Qty	S/P/F	Description
1	0762-095	1	S	Engine, 1100 DI
2	3008-054	4		Damper, Engine
3	0624-225	8		Screw, Cap
4	0673-508	AR	/P	Shim, Engine Mount - 0.125 in.
4	0673-509	AR		Shim, Engine Mount - 0.063 in.
5	0624-014	AR	/P	Shim - 0.5 mm
5	0624-015	AR	/P	Shim - 1.5 mm
6	0624-406	4		Washer
7	0608-277	1		Plate, Engine Mount - MAG
8	3008-240	4		Screw, Cap
9	0624-465	8		Washer, Lock
10	0624-028	17		Washer
11	0608-254	1		Plate, Engine Mount - PTO
12	0624-447	1		Washer
13	0675-174	1		Coupler, Engine
14	0775-130	1		Seal, Driveshaft Assembly (inc. 15-19)
15	0675-161	2		Bearing
16	0675-266	2	/P	Seal, Driveshaft
17	0675-352	1	/P	Housing, Bearing - Floating
18	0710-246	1		Hose, Coupler
19	1673-476	1		Clamp, Shrink
20	0675-339	1		Fitting
21	0624-485	4		Washer, Lock
22	0624-390	1		Clamp, Hose
23	1673-697	1		Spacer, PVC
24	0775-125	1		Mount, ECU
25	0775-127	1		Brace, ECU Mount
26	0624-230	2		Screw, Cap
27	0624-448	1		Washer
28	0124-045	2	/P	Clamp, Hose
29	0610-015	AR	/P	Hose, Grease - 100 ft
29	0610-016	AR	/P	Hose, Grease - 25 ft
30	0675-338	1		Fitting, Elbow
31	0675-340	1		Fitting, Grease
32	0624-158	9		Screw, Cap
33	0624-027	9		Washer, Lock

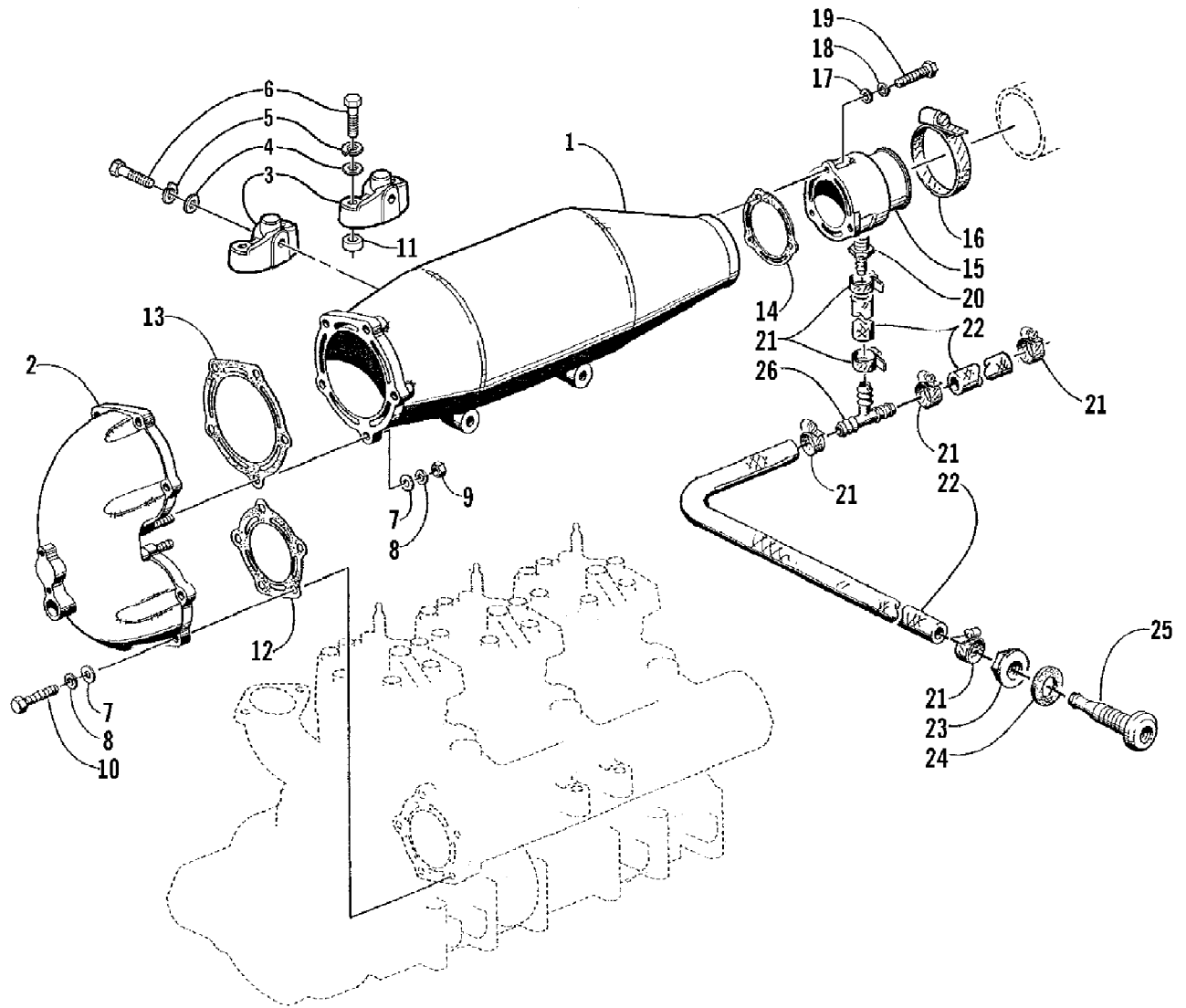


1999 TS 1100 LI (W1999TSPLAUS)
EXHAUST MANIFOLD ASSEMBLY

Page 16 of 64

Ref #	Part Number	Qty	S/P/F	Description
1	3008-047	1		Zinc, Protection
2	3008-579	1		Manifold, Exhaust - Assembly
3	3008-520	1	/P	Cover, Protection Zinc
4	3008-407	3	/P	Gasket, Exhaust Manifold
5	3008-312	6		Washer
6	3008-250	1		O-Ring, Protection Zinc Cover
7	3008-251	1		Hose, Drain
8	3008-527	3		Hose, Cooling
9	3008-037	2	/P	Clip, Drain Hose
10	3008-366	6		Clip, Cooling Hose
11	3008-391	6		Bolt, Stud
12	3008-213	3	/P	Screw, Cap
13	3008-392	6		Washer
14	3008-364	3		Fitting
15	3004-334	6	S/P	Nut
16	3008-521	1		Gasket, Exhaust Pipe

1999 TS 1100 LI (W1999TSPLAUS)
EXPANSION CHAMBER ASSEMBLY

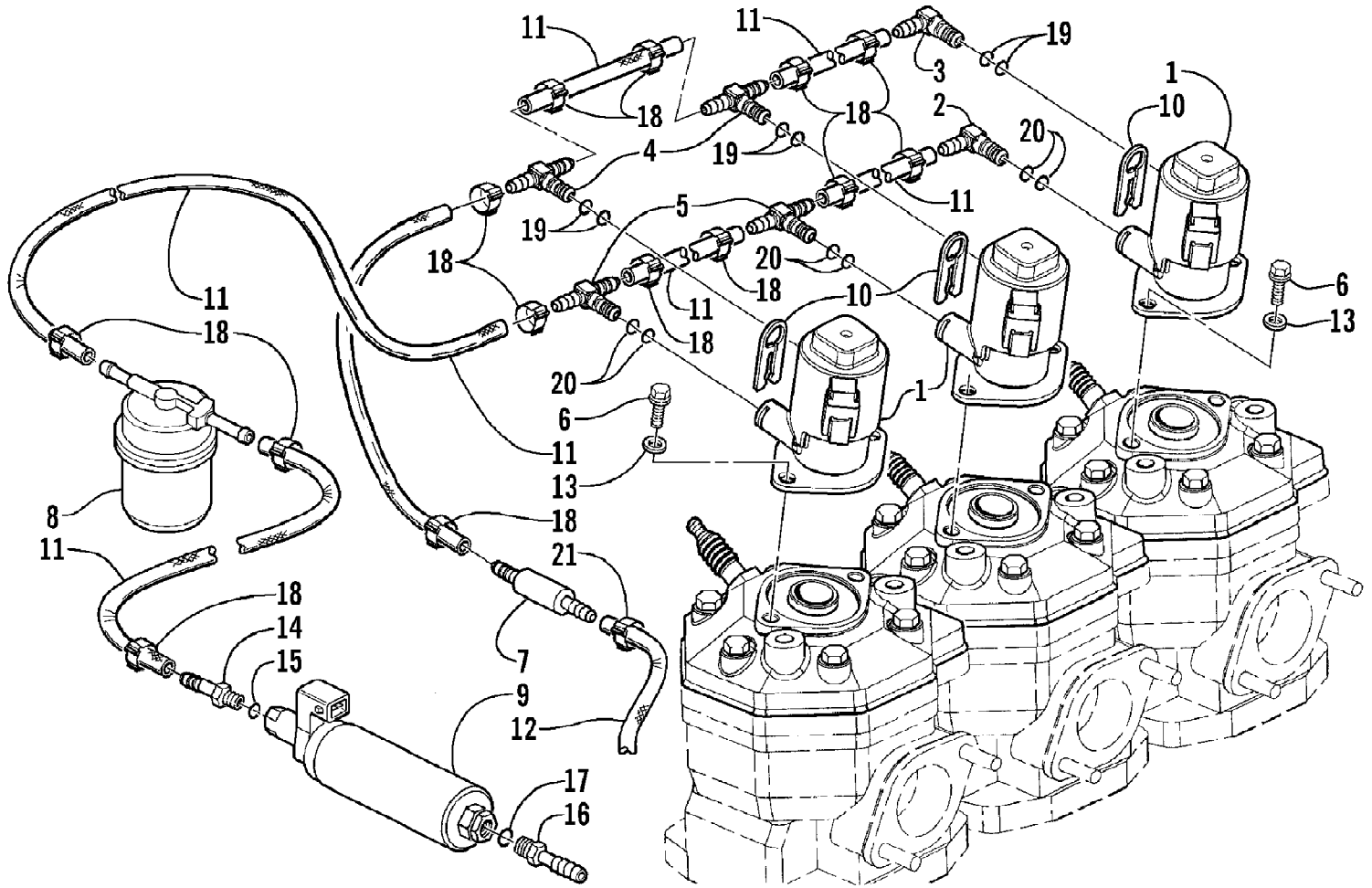


1999 TS 1100 LI (W1999TSPLAUS)
EXPANSION CHAMBER ASSEMBLY

Page 18 of 64

Ref #	Part Number	Qty	S/P/F	Description
1	0612-929	1		Chamber, Expansion
2	0612-959	1		Pipe, Head
3	0612-943	2		Bracket, Expansion Chamber
4	0624-008	6		Washer
5	0624-012	6		Washer, Lock
6	0624-238	6		Screw, Cap
7	0624-028	10		Washer
8	0624-027	10		Washer, Lock
9	0624-149	2		Nut
10	0624-313	8	/P	Screw, Cap
11	0624-378	4		Spacer
12	0612-460	1		Gasket, Head Pipe
13	1612-225	1		Gasket, Expansion Chamber
14	1612-238	1		Gasket, Tail Pipe
15	0612-803	1	S	Pipe, Tail
16	0624-390	1		Clamp, Hose
17	0624-022	3		Washer
18	0624-036	3		Washer, Lock
19	0624-314	3		Screw, Cap
20	1673-164	1		Fitting, Brass
21	0624-016	6		Clamp, Hose
22	0610-268	AR		Hose, Water - 25 ft
23	0623-753	1	/P	Nut, Bilge Outlet
24	0612-456	1		Seal, Bilge Outlet
25	0673-374	1		Outlet, Water
26	0673-136	1		Fitting, Tee

1999 TS 1100 LI (W1999TSPLAUS)
FUEL INJECTOR ASSEMBLY

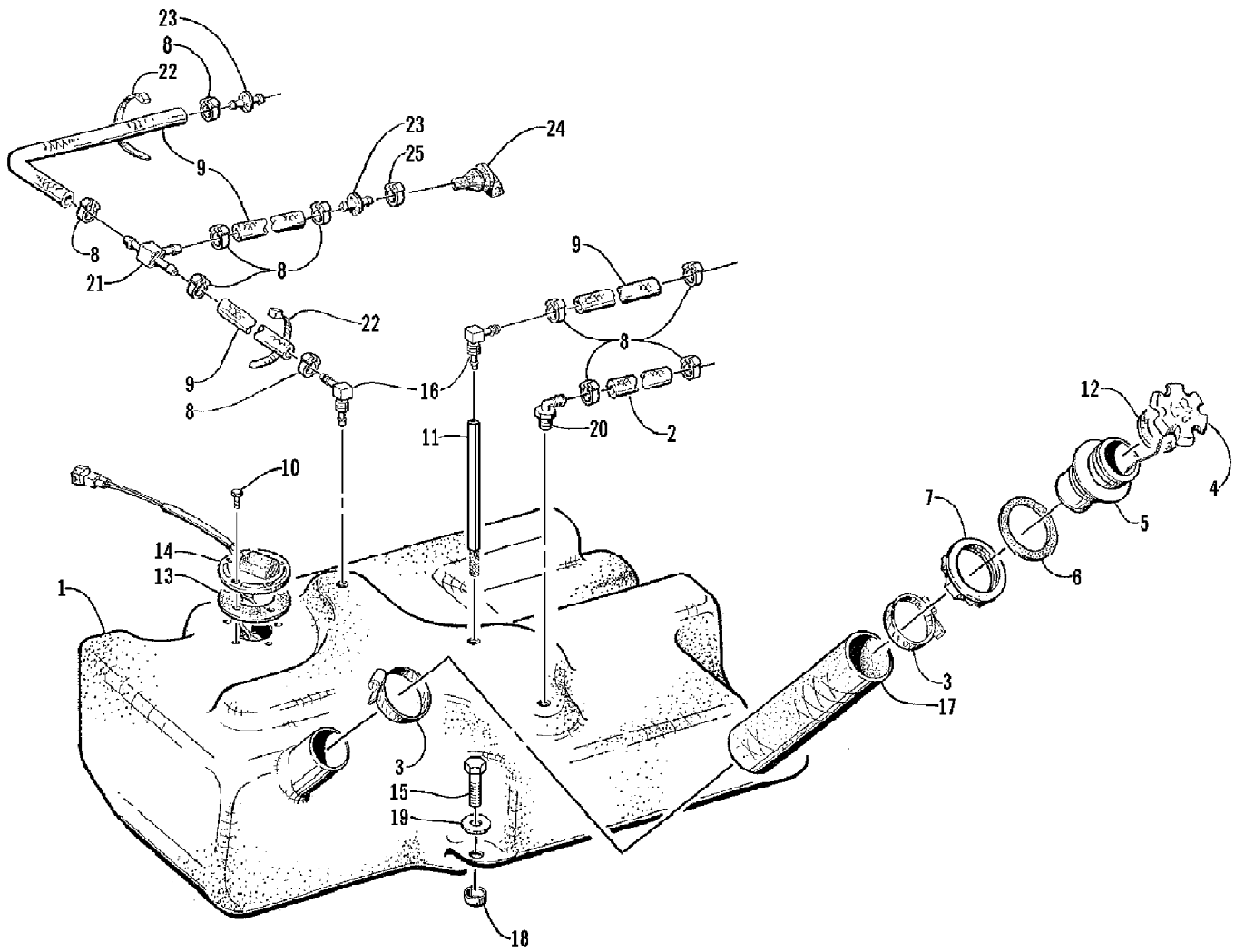


1999 TS 1100 LI (W1999TSPLAUS)
FUEL INJECTOR ASSEMBLY

Page 20 of 64

Ref #	Part Number	Qty	S/P/F	Description
1	3670-020	3		Injector, Fuel - PDS
2	3670-007	1		Fitting, Elbow
3	3670-008	1		Fitting, Elbow
4	3670-011	2		Fitting, Tee
5	3670-012	2		Fitting, Tee
6	3670-009	6		Screw, Cap
7	3670-014	1		Regulator, Pressure
8	0670-978	1		Filter, Fuel
9	0670-972	1		Pump, Fuel
10	3670-010	6		Clip, Retaining
11	0710-425	AR	/P	Hose, Fuel Line - 100 ft
12	0710-284	AR		Hose, Fuel Line - 25 ft
13	3670-001	6		Washer
14	1670-008	1		Fitting
15	1670-010	1		O-Ring
16	0670-982	1		Fitting
17	1670-009	1		O-Ring
18	0624-380	15		Clamp, Hose
19	3670-006	6		O-Ring
20	3670-005	6		O-Ring
21	0623-646	1		Clamp, Hose

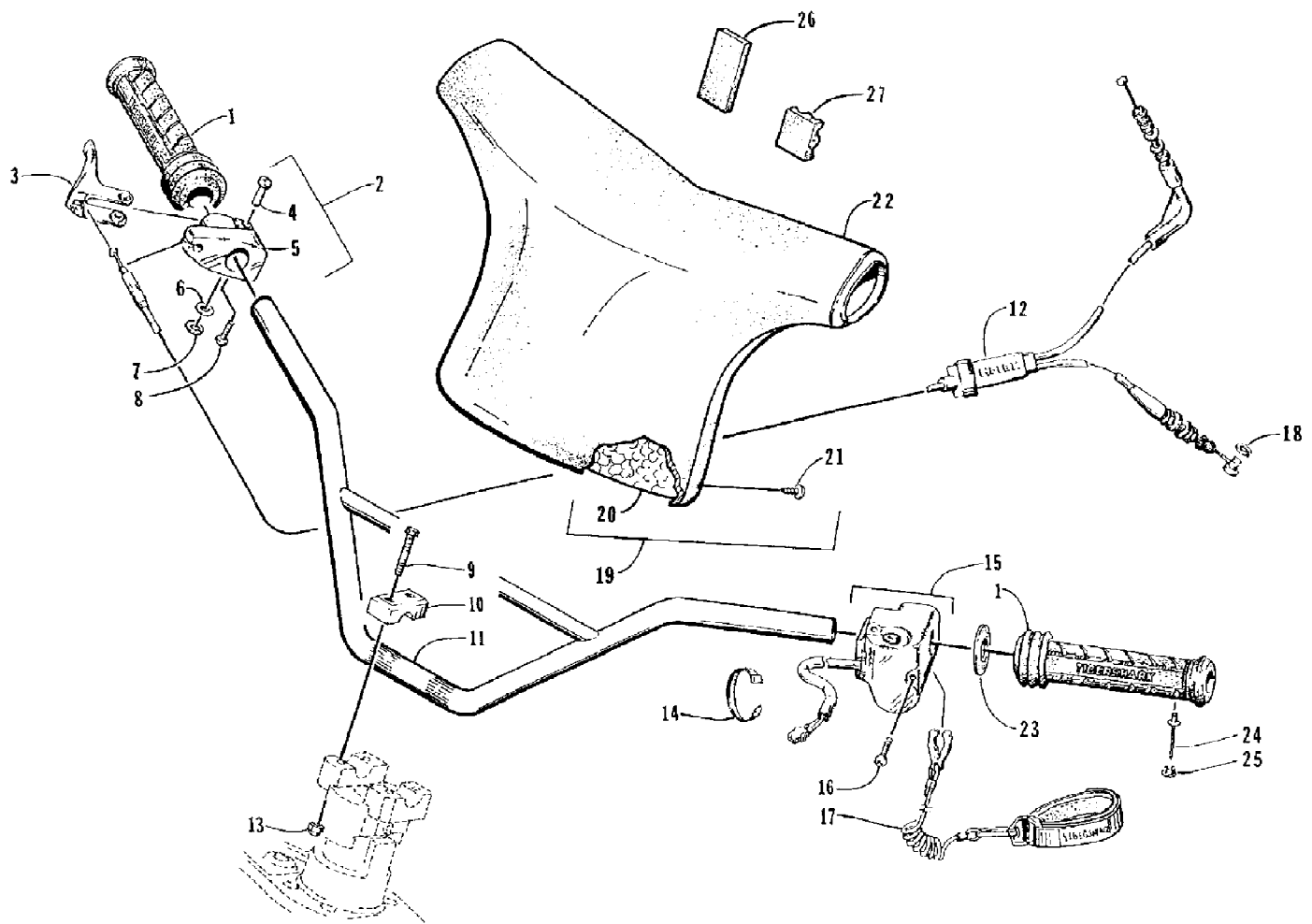
1999 TS 1100 LI (W1999TSPLAUS)
FUEL TANK ASSEMBLY



1999 TS 1100 LI (W1999TSPLAUS)
FUEL TANK ASSEMBLY

Page 22 of 64

Ref #	Part Number	Qty	S/P/F	Description
1	0770-383	1		Tank, Fuel - Assembly (inc. 11 and 20)
2	0710-284	AR		Hose, Fuel - 25 ft
3	0624-390	2		Clamp, Hose
4	0670-398	1	S/P	Cap, Filler Neck
5	0670-428	1	S	Neck, Filler
6	0670-688	1		Seal, Filler Neck
7	0670-548	1		Nut, Filler Neck
8	0624-120	10		Clamp, Hose
9	0710-425	AR	/P	Hose, Fuel - 25 ft
10	0624-312	5		Screw, Machine
11	1673-055	1		Tube, Drop
12	0670-689	1	S	Gasket
13	0670-474	1		Gasket, Fuel Sensor
14	0620-180	1		Sender, Fuel Level
15	0624-087	4		Screw, Cap
16	0670-762	2		Fitting, Outlet
17	0610-402	1		Hose, Filler
18	1673-327	4		Spacer, Fuel Tank
19	0624-125	8	/P	Washer
20	0670-924	1	/P	Fitting, Elbow 90
21	0109-332	1		Fitting, Tee
22	0123-788	AR	/P	Tie, Cable
23	0610-059	2		Valve, Check
24	0673-755	1		Vent, Fuel
25	0623-063	1		Clamp, Hose

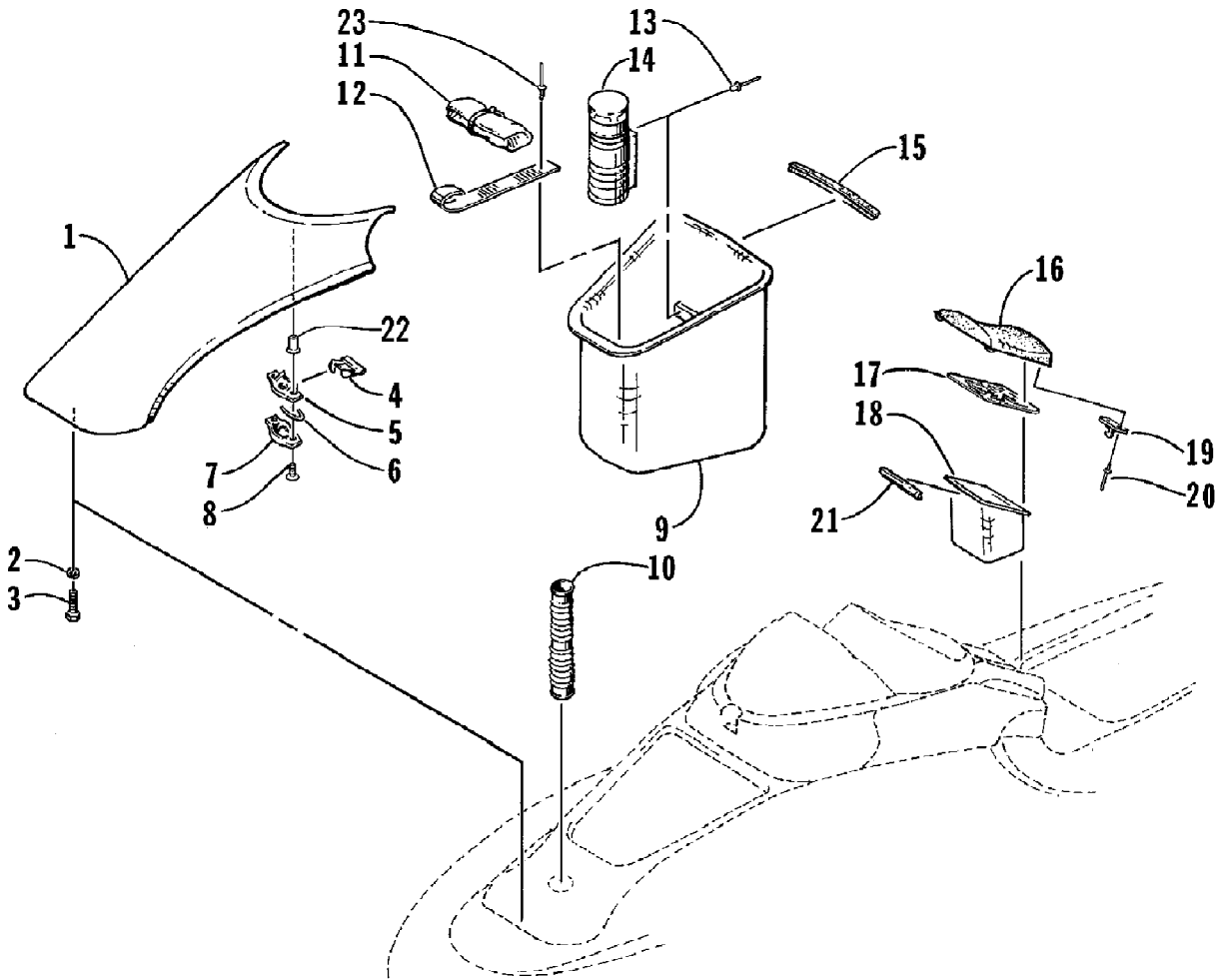


1999 TS 1100 LI (W1999TSPLAUS)
HANDLEBAR ASSEMBLY

Page 24 of 64

Ref #	Part Number	Qty	S/P/F	Description
1	0673-990	2	S	Grip, Handlebar
2	0773-018	1		Throttle, Assembly (inc. 3-8)
3	0605-234	1		Lever, Throttle
4	0605-236	1		Pin, Throttle Lever
5	0605-235	1		Housing, Throttle
6	0624-099	1		Washer
7	0624-113	2		C-Clip
8	0624-091	1		Screw, Machine
9	0624-278	4		Screw, Cap
10	0673-282	2		Cap, Steering Adjuster
11	0773-608	1		Handlebar
12	0687-102	1	/P	Cable, Throttle
13	0624-250	4		Nut, Lock
14	0123-788	AR	/P	Tie, Cable
15	0609-284	1		Switch, Start/Trim/Bilge (inc. 16)
16	0	3	F	Screw, Machine
17	0609-427	1	S	Cord, Tether
18	0624-104	1		C-Clip
19	0773-860	1		Handlebar Pad - Assembly (inc. 20-22 and 26-27)
20	1673-445	1		Pad, Handlebar
21	0624-350	6	S	Screw, Machine
22	0	1	F	Cover, Handlebar Pad
23	1673-095	1		Washer, Rubber - Handlebar
24	0624-216	2		Rivet
25	1673-111	2		Plug
26	1673-624	1		Pad, Foam
27	0617-296	1		Spacer, Handlebar Pad

1999 TS 1100 LI (W1999TSPLAUS)
HATCH COVER AND STORAGE TRAY



1999 TS 1100 LI (W1999TSPLAUS)
HATCH COVER AND STORAGE TRAY

Page 26 of 64

Ref #	Part Number	Qty	S/P/F	Description
1	1673-672	1		Cover, Hatch
2	0624-115	5		Washer, Lock
3	0624-432	5		Screw, Self-Tapping
4	1673-459	1		Lever, Hatch Latch
5	1673-461	1		Housing, Upper - Hatch Latch
6	1673-465	1		Spring, Hatch Latch
7	1673-462	1		Housing, Lower - Hatch Latch
8	0624-138	2		Screw, Machine
9	1673-566	1	/P	Tray, Storage
10	0610-340	2		Hose, Air Intake
11	0678-399	1		Kit, Tool
12	0773-217	1		Tiedown, Tool Kit
13	0623-685	4		Rivet
14	1673-046	1		Tube, Fire Extinguisher
15	1673-567	1	/P	Seal, Hatch
16	1673-699	1		Cover, Glove Box
17	1673-576	1		Net, Cargo
18	1673-482	1		Box, Glove
19	1673-516	1		Strike, Latch - Glove Box
20	8060-229	2	S	Rivet
21	1673-494	1		Seal, Glove Box
22	0123-010	2	/P	Nut, Expansion
23	0773-973	1		Rivet

1999 TS 1100 LI (W1999TSPLAUS)
HULL AND RELATED PARTS ASSEMBLY

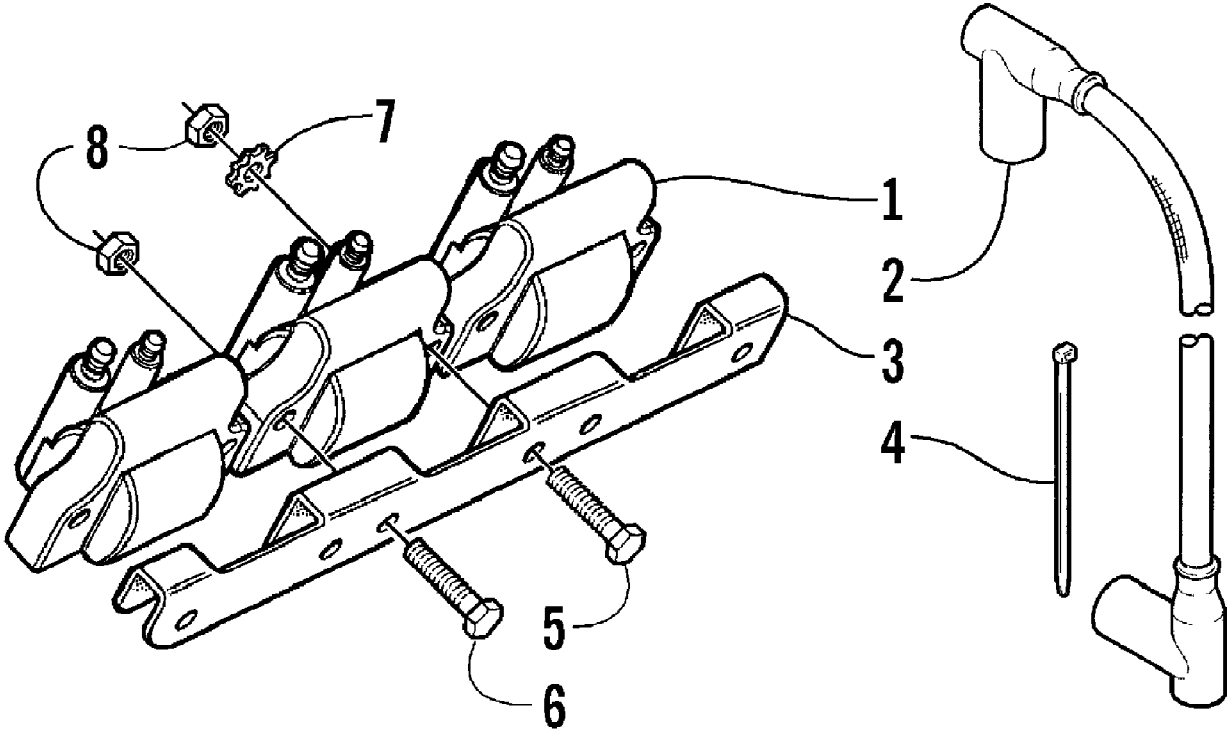
Page 28 of 64

Ref #	Part Number	Qty	S/P/F	Description
1	0773-987	1		Hull/Deck - Assembly
2	0623-636	2		Rivet
3	1673-479	1		Boweye
4	0623-753	1	/P	Nut
5	0773-974	1		Nose, Cone
6	0624-089	6		Nut, Lock
7	0624-247	2		Washer
8	0624-293	10		Washer, Backup
9	0773-516	1	/P	Boweye
10	0624-299	2		Washer, Sealing
11	0624-112	2	/P	Screw, Cap
12	0624-022	4		Washer
13	1673-032	1		Hinge, Hatch Assembly
14	1673-031	1		Plate, Hinge
15	0624-250	11		Nut, Lock
16	0624-182	8		Washer
17	0624-059	1		Nut
18	1673-467	1		Stud, Strike
19	0623-603	2		Washer
20	1673-578	1		Receiver, Glove Box Lid - Starboard
20	1673-579	1		Receiver, Glove Box Lid - Port
21	8060-633	2	/P	Rivet
22	0624-004	4		Washer
23	1673-483	1		Strike, Hatch Cover
24	0624-072	4		Rivet
25	1673-609	1		Wedge, Latch
26	1673-592	1		Latch, Glove Box Lid
27	0623-763	4		Rivet
28	0610-399	1		Hose, Air Exhaust
29	0624-184	4		Screw, Machine
30	1673-480	1		Bridge, Seat
31	0624-187	4		Screw, Machine
32	1673-417	1		Handle, Grab
33	0124-054	4	/P	Snap Cap w/Washer
34	0624-228	4		Washer
35	1673-083	1		Gasket, Eyehook
36	0624-159	2		Washer
37	0624-258	2		Nut
38	1673-687	2		Plug
39	0623-585	3		Clip, Christmas Tree
40	0624-484	1		Eyehook
41	0623-725	2	/P	Clip, Retainer - Black
42	0673-975	1	/P	Cover, Rub Rail
43	0673-996	1		Sponson - Starboard
43	0673-997	1		Sponson - Port
44	0624-271	10		Screw, Cap
45	0675-179	1		Plate, Ride
46	0624-186	4		Screw, Machine
47	0624-184	2		Screw, Machine
48	1673-700	1		Pad, Knee - Starboard
48	1673-701	1		Pad, Knee - Port
49	0624-487	18		Nut, Stamped
50	1673-524	1		Trunk Rail - Starboard

1999 TS 1100 LI (W1999TSPLAUS)
HULL AND RELATED PARTS ASSEMBLY

Ref #	Part Number	Qty	S/P/F	Description
50	1673-525	1		Trim, Rub Rail - Port
51	0624-068	48		Rivet
52	0623-737	10		Insert, Brass

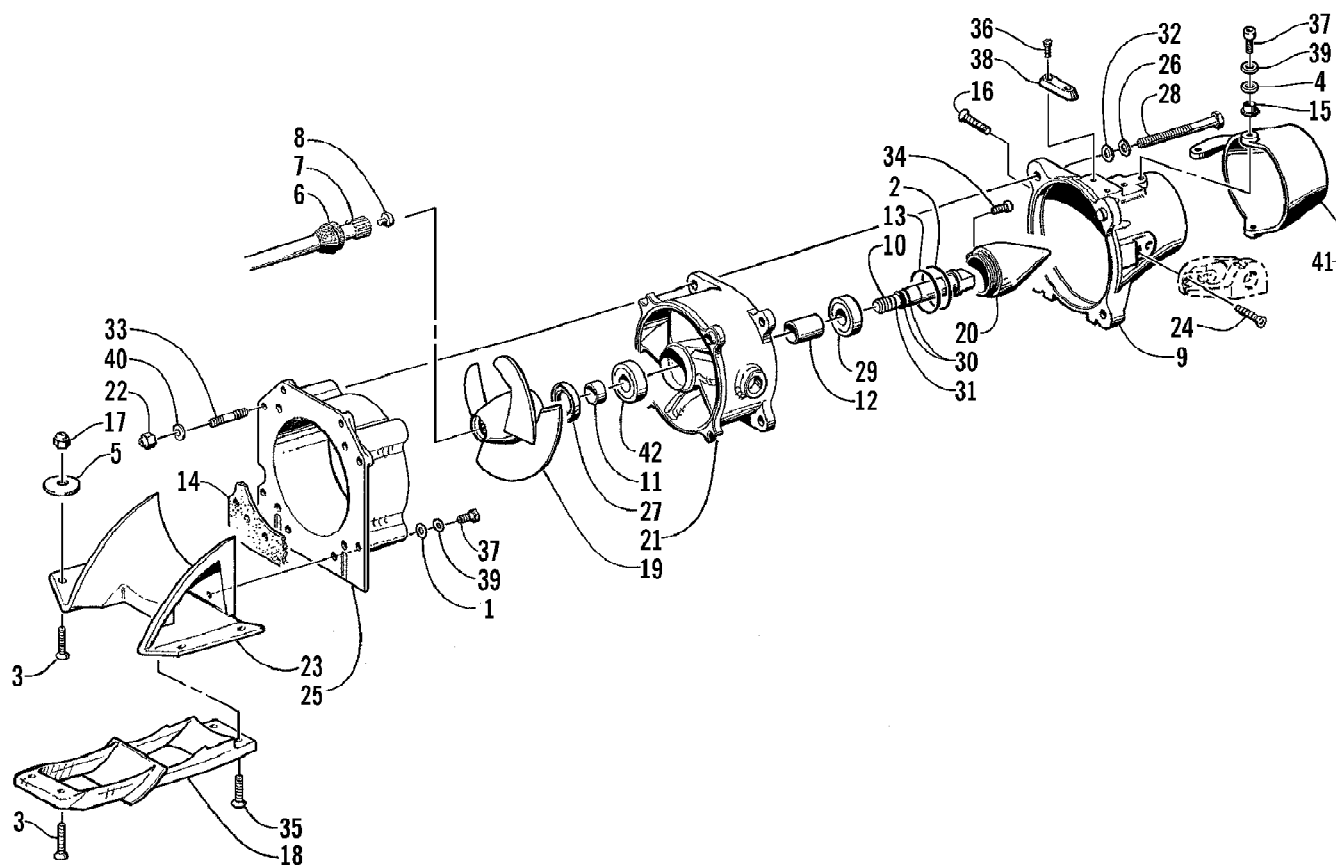
1999 TS 1100 LI (W1999TSPLAUS)
IGNITION COIL



1999 TS 1100 LI (W1999TSPLAUS)
IGNITION COIL

Page 31 of 64

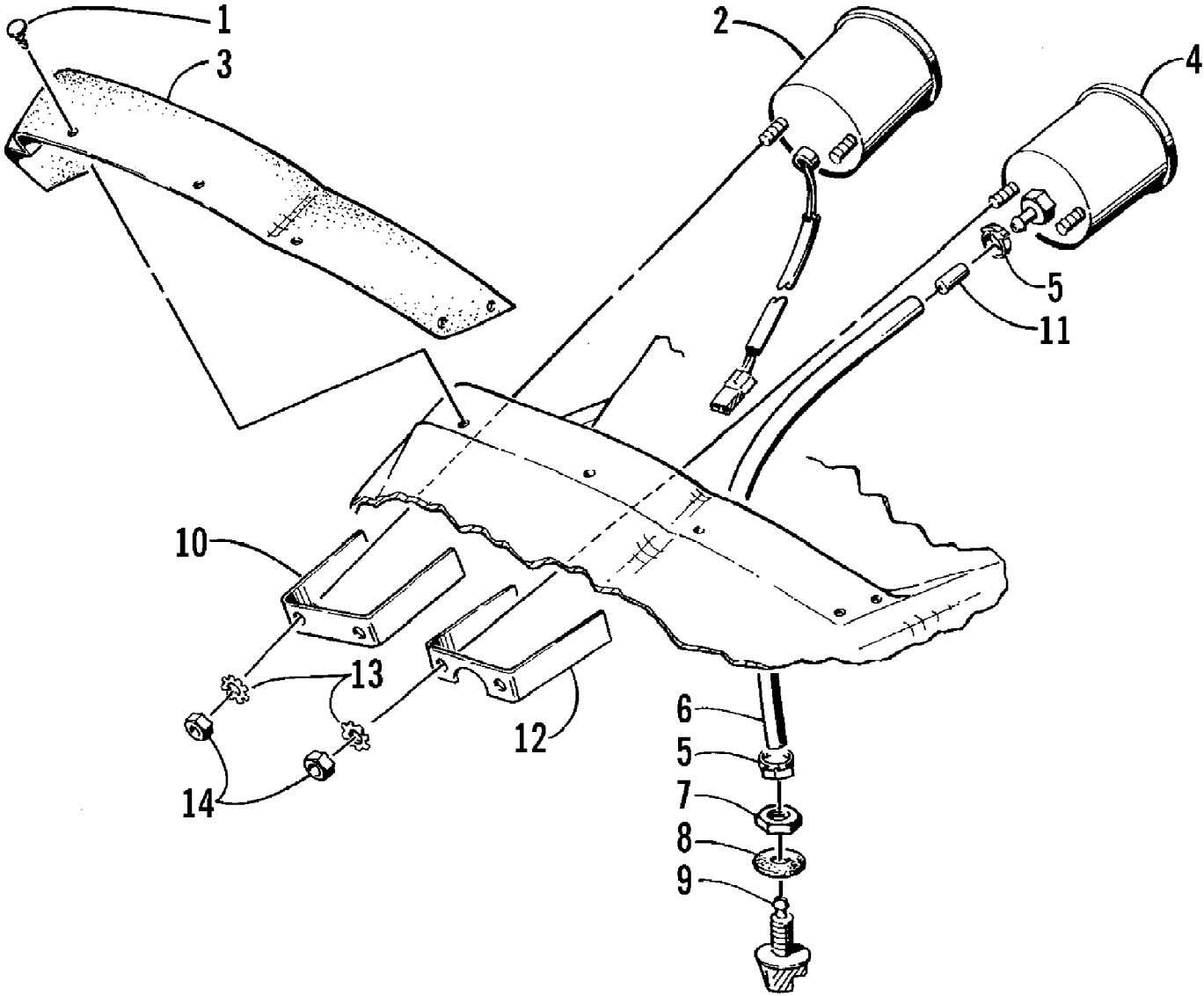
Ref #	Part Number	Qty	S/P/F	Description
1	3670-018	3		Coil Assembly, Ignition
2	0630-132	3		Wire, Ignition
3	1673-689	1		Bracket, Mounting - Coil
4	3003-787	3		Tie, Cable
5	0624-052	4		Screw, Cap
6	0624-056	2		Screw, Cap
7	0624-492	3		Washer, Lock - External Tooth
8	0624-250	4		Nut, Lock



1999 TS 1100 LI (W1999TSPLAUS)
IMPELLER DRIVE ASSEMBLY

Page 33 of 64

Ref #	Part Number	Qty	S/P/F	Description
1	0624-028	2		Washer
2	0675-078	1		O-Ring
3	0624-186	6		Screw, Machine
4	0624-125	2	/P	Washer
5	0624-182	4		Washer
6	0675-187	1		Grommet, Seal
7	0675-240	1		Driveshaft
8	0673-618	1	/P	Bumper, Driveshaft
9	0675-254	1		Venturi
10	0675-163	1	S	Shaft, Rear - Impeller
11	0675-085	1		Spacer, Impeller
12	0675-084	1		Spacer, Bearing
13	0675-281	1		O-Ring
14	0675-331	1		Gasket, Pump
15	0624-392	2		Spacer
16	0624-272	1		Screw, Machine
17	0624-250	6		Nut, Lock
18	0675-239	1		Grate, Inlet
19	0675-274	1		Impeller
20	0675-272	1		Endcap, Stator
21	0675-329	1		Stator
22	0624-090	6		Nut, Lock
23	0675-280	1		Ramp, Inlet
24	0624-273	3		Screw, Machine
25	0775-134	1		Ring, Wear
26	0624-012	4		Washer, Lock
27	0675-119	1	S	Seal
28	0624-386	4		Screw, Cap
29	0673-609	1		Bearing, Stator
30	0673-608	2		O-Ring
31	0673-607	1		O-Ring
32	0624-008	4		Washer
33	0624-319	6		Stud
34	0624-491	3		Screw, Cap
35	0624-183	2		Screw, Machine
36	0624-184	2		Screw, Machine
37	0624-026	4		Screw, Cap
38	0624-084	1		Anode, Zinc
39	0624-027	4		Washer, Lock
40	0624-125	6	/P	Washer
41	0675-257	1		Nozzle, Steering
42	0675-345	1	S	Bearing, Stator

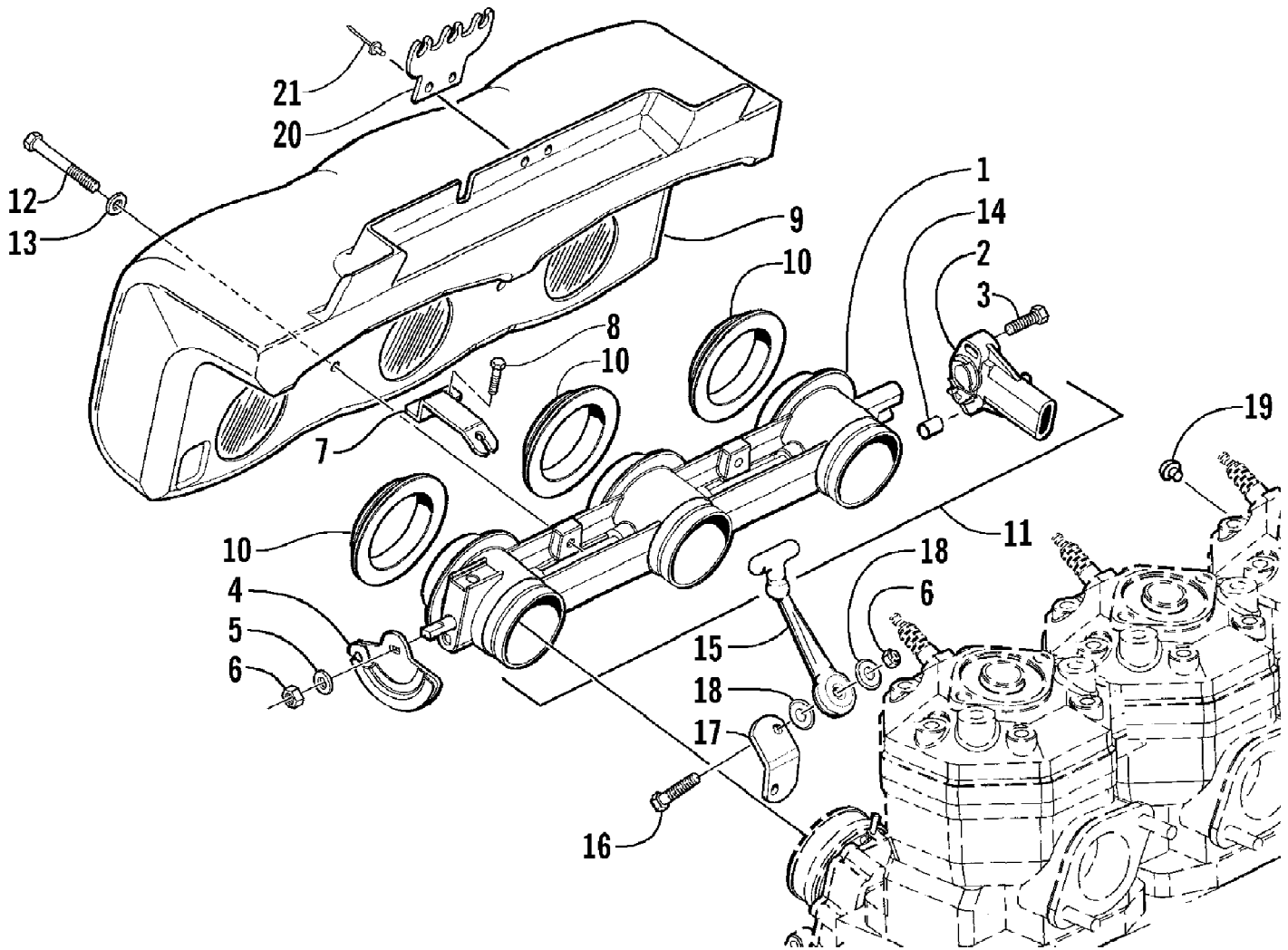


1999 TS 1100 LI (W1999TSPLAUS)
INSTRUMENT ASSEMBLY

Page 35 of 64

Ref #	Part Number	Qty	S/P/F	Description
1	0623-725	8	/P	Clip, Retainer
2	0620-227	1		Gauge, Fuel
3	1673-647	1	/P	Visor
4	0620-231	1		Speedometer
5	0123-811	2		Clamp
6	0673-809	AR	/P	Hose
7	0673-348	1		Nut, Pitot
8	0673-349	1		Seal, Pitot
9	1673-673	1	/P	Pitot
10	0620-201	1		Backclamp, Fuel Gauge
11	1673-427	1	/P	Fitting, Restrictor - Speedometer
12	0620-199	1		Backclamp, Speedometer
13	0623-702	4		Washer, Star
14	0623-701	4		Nut

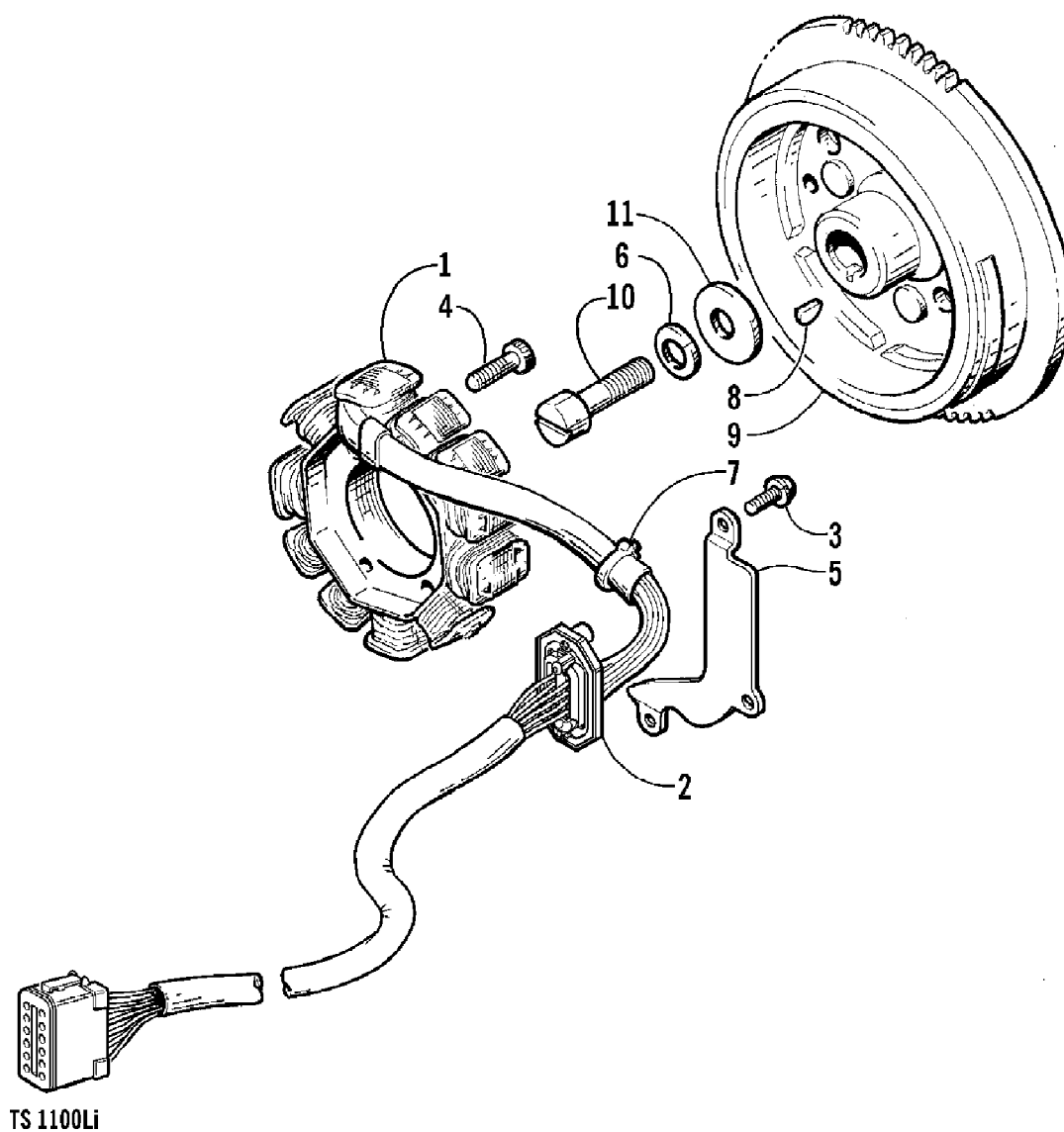
1999 TS 1100 LI (W1999TSPLAUS)
INTAKE ASSEMBLY



1999 TS 1100 LI (W1999TSPLAUS)
INTAKE ASSEMBLY

Page 37 of 64

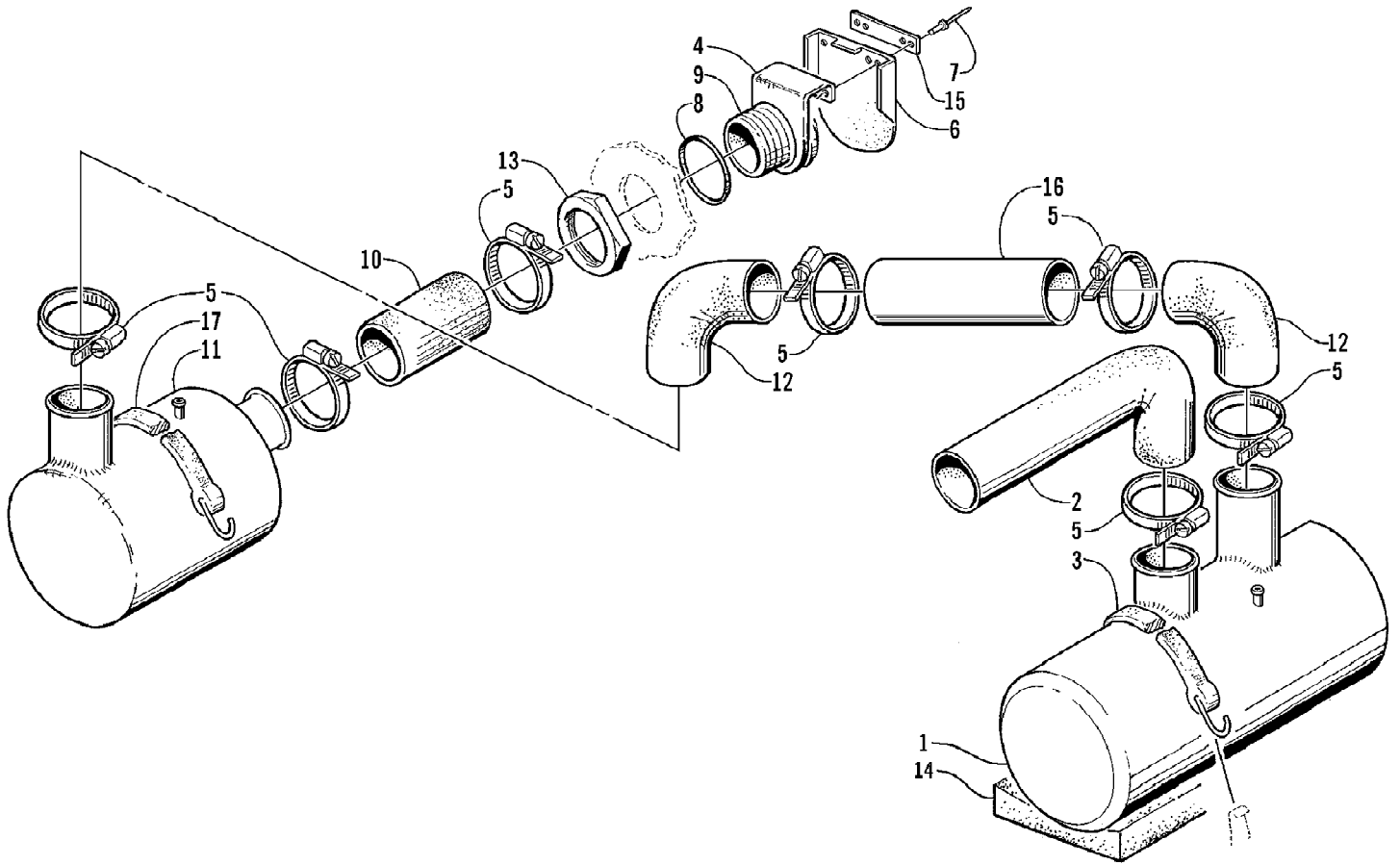
Ref #	Part Number	Qty	S/P/F	Description
1	0670-974	1	S	Throttle Body Assembly
2	0630-121	1		Sensor, Throttle
3	3670-024	2		Screw, Machine
4	1670-055	1		Arm, Throttle
5	0624-022	1		Washer
6	0624-250	2		Nut, Lock
7	0670-999	1		Bracket, Throttle Cable
8	0624-504	1		Screw, Cap
9	1673-612	1		Airbox
10	0670-923	3		Seal, Intake
11	3670-013	1	S	Body, Throttle - Assembly (inc. 1-3)
12	0624-032	2		Screw, Cap
13	0624-299	4		Washer, Sealing
14	3670-027	1		Button, TPS
15	0673-796	1		Strap
16	0624-052	1		Screw, Cap
17	1673-712	1		Bracket
18	0623-591	2		Washer
19	1673-713	2		Bumper
20	1673-733	1		Clip, High Tension Lead
21	0623-778	2		Rivet



1999 TS 1100 LI (W1999TSPLAUS)
MAGNETO

Page 39 of 64

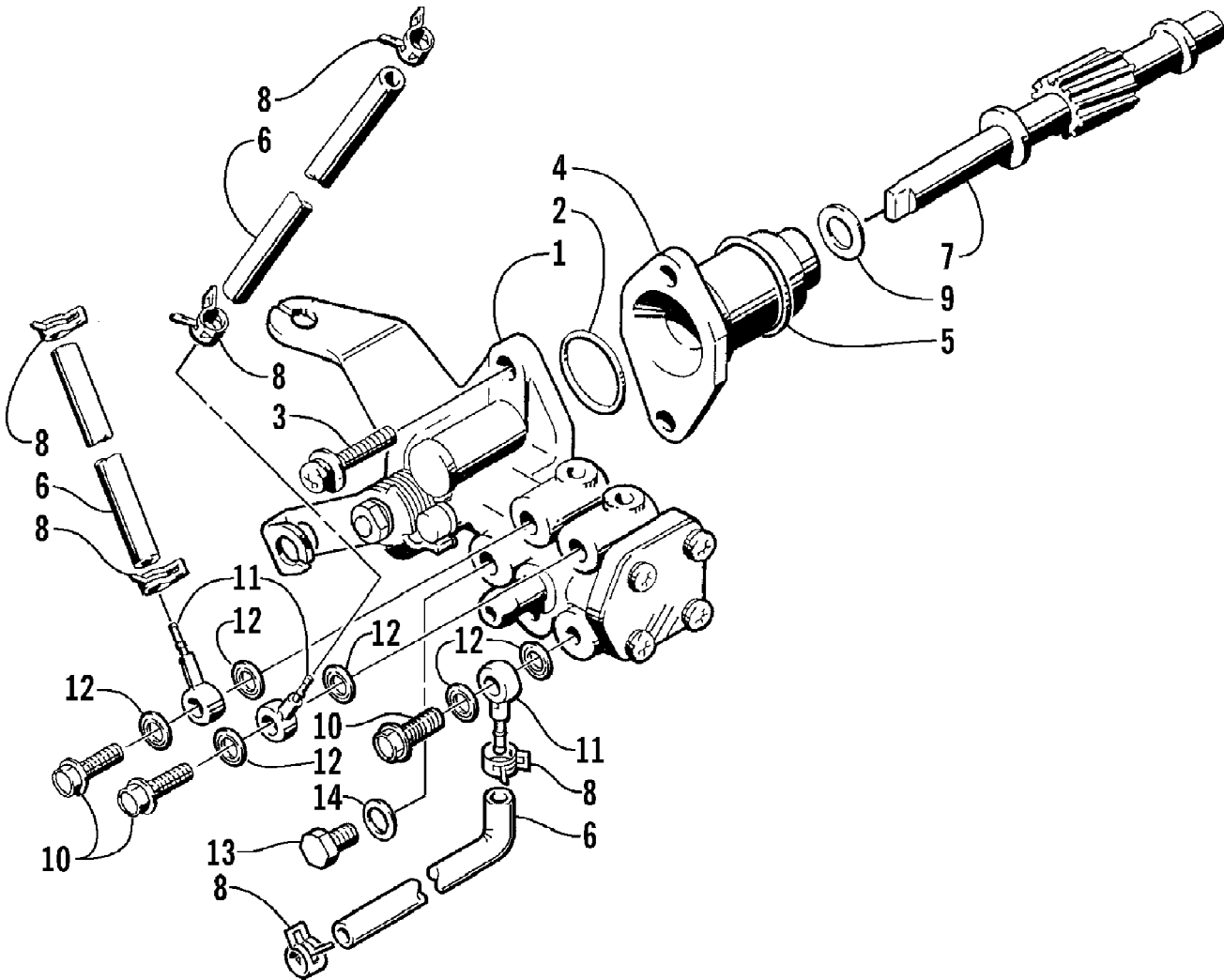
Ref #	Part Number	Qty	S/P/F	Description
1	3670-021	1		Stator
2	3008-110	1		Holder, Grommet
3	0624-491	3		Screw, Cap
4	0624-490	3		Screw, Cap
5	0609-448	1		Bracket, Stator
6	3004-362	1	S/P	Washer, Lock
7	3003-787	1		Tie, Cable
8	3004-540	1	/P	Key
9	3670-022	1		Flywheel
10	3008-448	1		Screw, Cap
11	3008-017	1		Washer



1999 TS 1100 LI (W1999TSPLAUS)
MUFFLER ASSEMBLY

Page 41 of 64

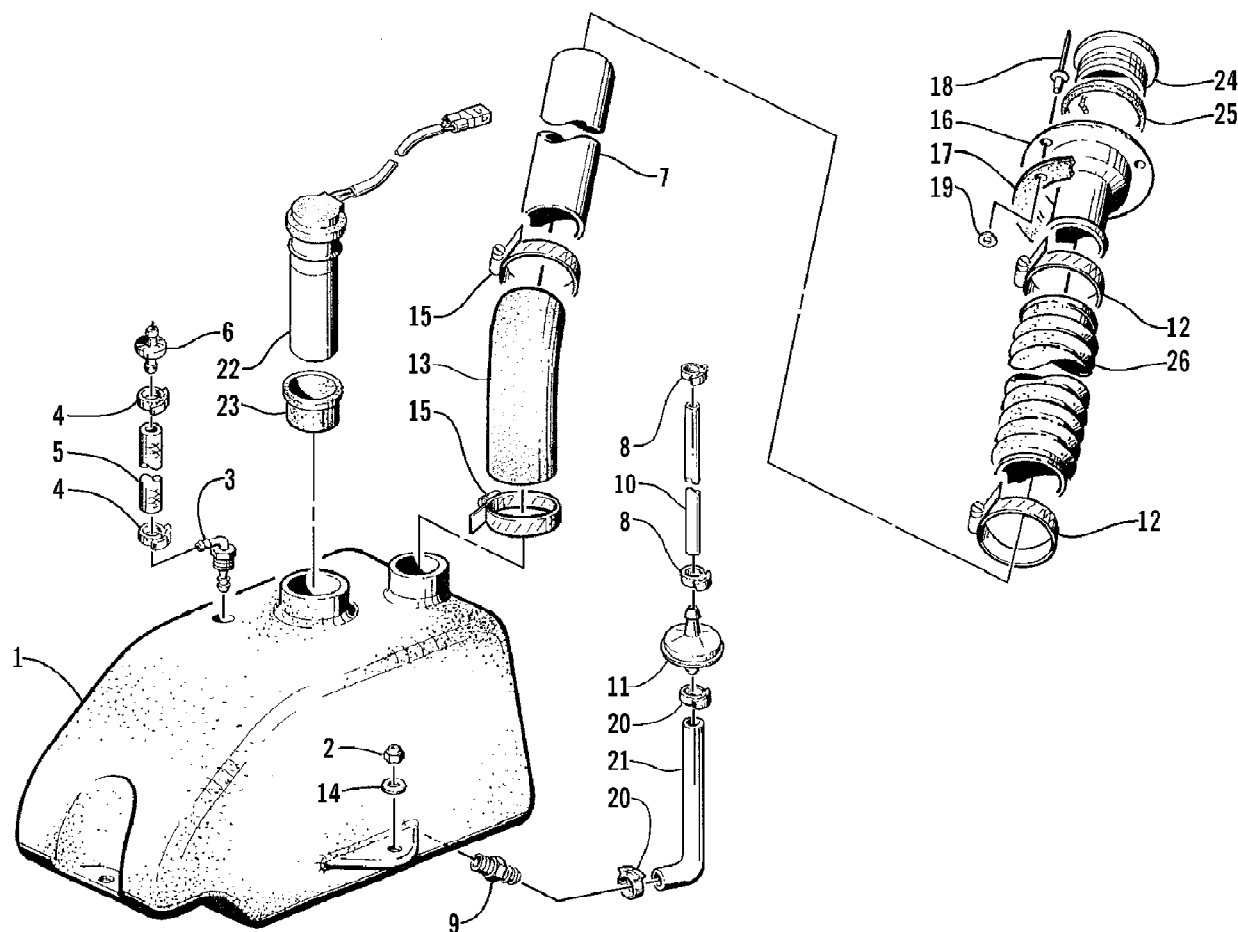
Ref #	Part Number	Qty	S/P/F	Description
1	0712-316	1		Muffler
2	0610-395	1		Hose, Exhaust - In
3	0773-944	1		Tiedown, Muffler
4	1673-411	1		Bracket, Sound Diffuser
5	0624-169	7		Clamp, Hose
6	1673-413	1		Flap, Sound Diffuser
7	0623-590	4		Rivet
8	0612-676	1		Gasket, Exhaust - Foam
9	0612-762	1	/P	Outlet, Exhaust
10	0610-371	1		Hose, Exhaust - Out
11	0712-368	1		Muffler, Secondary
12	0610-390	2		Hose, Elbow
13	0612-576	1		Nut, Exhaust Outlet
14	1673-585	1		Foam, Support - Muffler
15	1673-412	1		Plate, Backing - Sound Diffuser
16	1612-152	1		Tube, Exhaust
17	0773-805	1		Tiedown, Muffler



1999 TS 1100 LI (W1999TSPLAUS)
OIL PUMP ASSEMBLY

Page 43 of 64

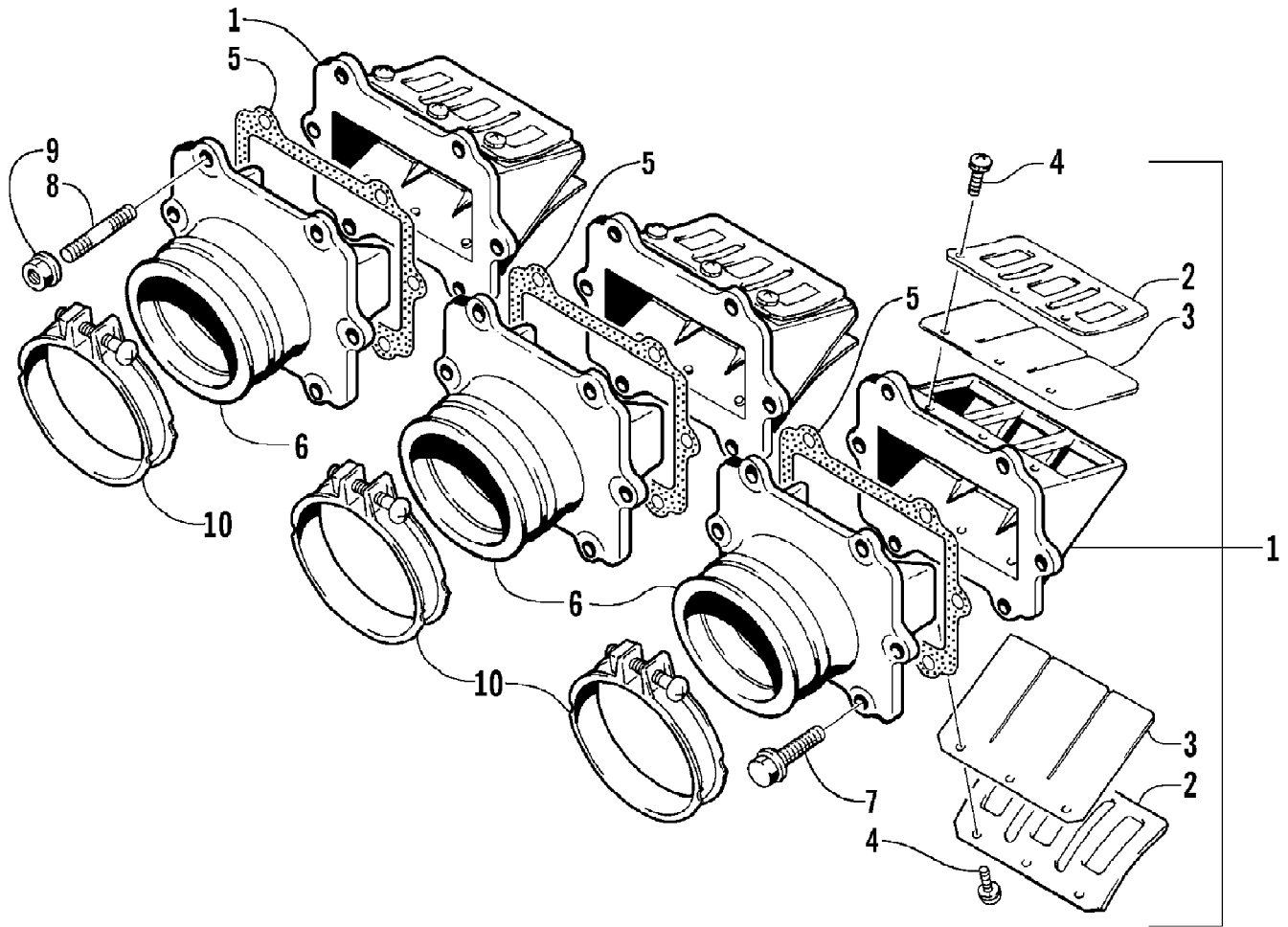
Ref #	Part Number	Qty	S/P/F	Description
1	3008-622	1		Oil Pump Assembly
2	3008-030	1		O-Ring
3	3008-393	2		Screw, Oil Pump
4	3004-763	1	/P	Retainer, Oil Pump Shaft
5	3005-126	1	/P	O-Ring, Retainer
6	3008-035	3	/P	Hose, Oil Pump
7	3004-179	1		Gear, Oil Pump Driven
8	3008-037	6	/P	Clip
9	3005-049	1	/P	Shim, Oil Pump Input Shaft
10	3008-528	3		Screw, Cap
11	3003-217	3	/P	Valve, Check
12	3003-290	6	/P	Gasket, Check Valve
13	6505-820	1		Screw, Oil Pump Bleed
14	6505-821	1		Washer, Bleed Screw



1999 TS 1100 LI (W1999TSPLAUS)
OIL TANK ASSEMBLY

Page 45 of 64

Ref #	Part Number	Qty	S/P/F	Description
1	0670-807	1	/P	Tank, Oil
2	0624-005	4	/P	Nut, Lock
3	0115-607	1	S	Outlet, Tank
4	0624-120	2		Clamp, Hose
5	0710-425	AR	/P	Hose, Gas - 25 ft
6	0610-059	1		Valve, Check
7	0670-904	1		Tube, Oil Filler
8	0124-045	2	/P	Clamp, Hose
9	0670-718	1		Fitting, Tank
10	0610-016	AR	/P	Hose, Oil - 25 ft
11	1673-336	1		Filter, Oil
12	0624-019	2		Clamp, Hose
13	0610-368	1		Hose, Elbow Filler
14	0624-182	4		Washer
15	0624-038	2		Clamp, Hose
16	0670-697	1		Filler, Oil - Assembly
17	0670-679	1		Seal, Oil Filler
18	8060-633	3	/P	Rivet
19	0623-603	3		Washer
20	0623-646	2		Clamp, Hose
21	0610-018	AR	/P	Hose, Oil - 15 ft
22	0620-225	1	/P	Sensor, Oil Level
23	0609-237	1		Seal, Grommet - Oil Sensor
24	0670-877	1		Oil Cap Assembly
25	0670-878	1		Seal, Oil Cap
26	0670-772	1		Connector, Oil Filler Tube



1999 TS 1100 LI (W1999TSPLAUS)
REED VALVE ASSEMBLY

Page 47 of 64

Ref #	Part Number	Qty	S/P/F	Description
1	3008-534	3	/P	Valve, Reed - Assembly (inc. 2-4)
2	3008-575	6		Stopper, Reed Valve
3	3008-075	6		Valve, Reed
4	3004-506	18	/P	Screw, Reed Valve
5	3008-076	3	S	Gasket, Reed Valve
6	3005-264	3		Pipe, Intake - Assembly
7	3008-220	12		Screw, Cap
8	3008-370	6	/P	Stud
9	3004-326	6	S/P	Nut
10	0624-486	3		Clamp

No
Diagram
Available

Parts List
Only

1999 TS 1100 LI (W1999TSPLAUS)
RELATED ITEMS

Page 49 of 64

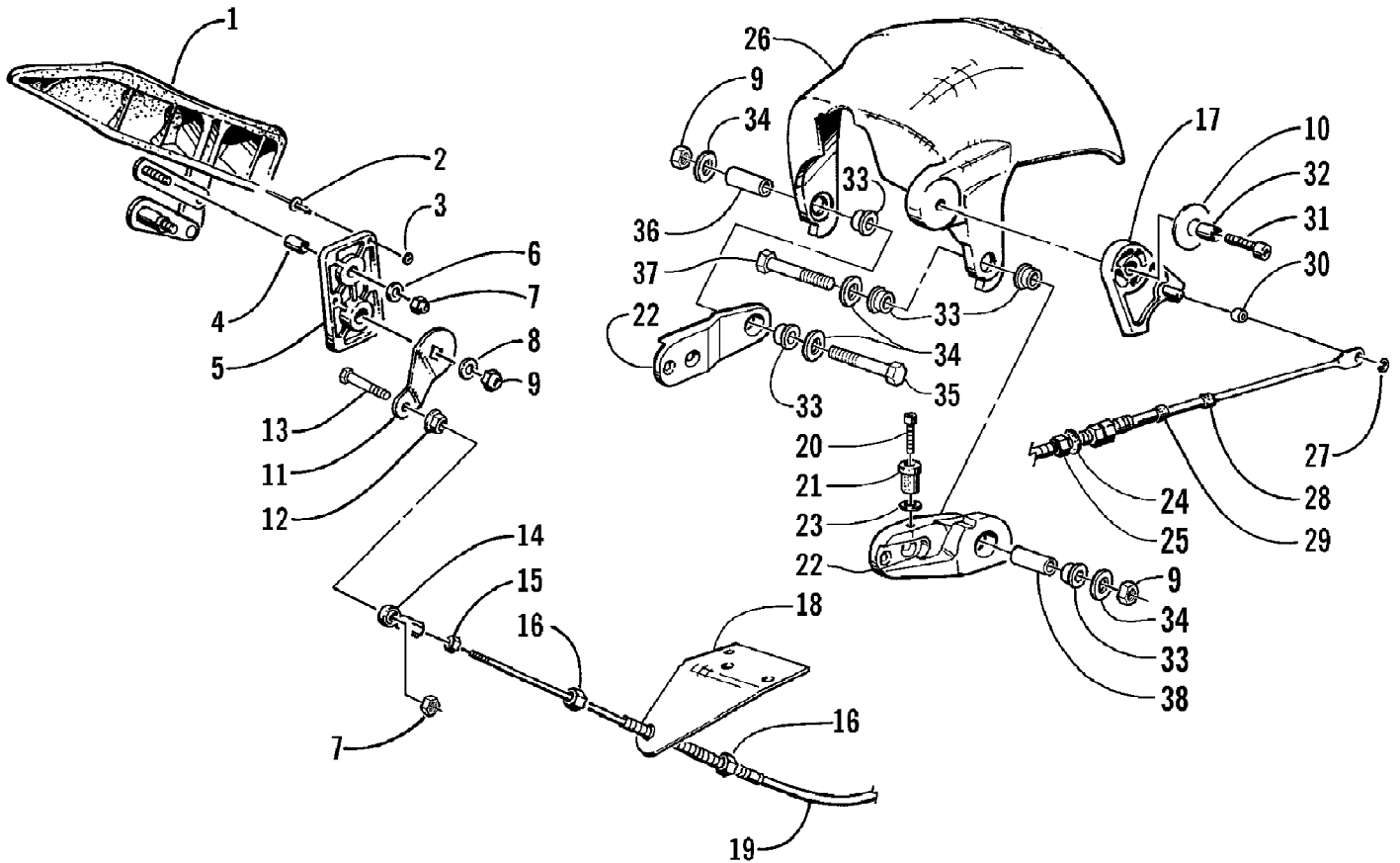
Ref #	Part Number	Qty	S/P/F	Description
	0678-325	1	/P	Anchor Bag
	0678-546	1	/P	Anchor, Grapnel w/float
	0678-363	1	/P	Beach Dolly
	0678-370	1		Bilge Cleaner
	0678-380	1		Buoy Set
	0678-026	1		Cleaner - Tigershark
	0678-271	1		Corrosion X
	0678-541	1	/P	Cover, Premium
	0678-120	1		Drive Unit Lube
	0678-023	1	S	Engine Fogger
	0678-272	1		Fiberglass Sealant
	0678-534	1	/P	Fire Extinguisher
	0678-006	1	/P	Flush Kit - Std. Backflush
	0678-258	1		Flush Kit - Std. Backflush w/valve
	0678-514	1		Flush Kit, Dlx - forward, 5/8" coupler
	0678-466	1		Footpad Kit, Black
	0678-032	1		Fuel Stabilizer
	0652-033	1		Gelcoat, White - 1 quart
	0678-389	1	/P	Grease Gun Cartridges, 3-pack
	0678-348	1		Grease Gun Kit
	0678-209	1	S	Handlebar Grip, Adhesive Glue
	0678-219	1		Handlebar Grip, Black
	0678-137	1		Handlebar Grip, Purple
	0678-136	1		Handlebar Grip, Red
	0678-138	1		Handlebar Grip, Teal
	0678-287	1		Handlebar Grip, Yellow
	0678-362	1		Hourmeter, 2 1/16" diameter
	0678-551	1		Hourmeter, Digital
	0678-364	1	/P	Lanyard, Red/Black
	0678-539	1		Lanyard, Blue/Yellow
	0678-390	1		Lanyard, Black/Yellow
	0678-538	1		Lanyard, Green/Blue
	0678-391	1		Lanyard, Purple/Yellow
	0678-537	1		Lanyard, Teal/Yellow
	0678-392	1		Lanyard, Yellow/Black
	0678-180	1		Lift Harness
	0678-135	1		Lock, Start/Stop Switch
	0678-031	1		Octane Booster
	0678-312	1		Oil, Extreme - 55 gallon drum
	0678-288	1		Oil, Extreme - Gallon
	0678-289	1		Oil, Extreme - Quart
	0678-471	1		PWC Lift
	0678-550	1		Paddle w/storage case
	0652-035	1	/P	Paint-touchup, White
	0678-185	1		Plug Caddy, Purple
	0678-149	1		Plug Caddy, Rivet on
	0678-533	1		Registration Letters, Black/Silver,
	0678-470	1		Registration Letters, Carbon Fiber,
	0678-360	1		Registration Letters, Gold/Black
	0678-263	1		Registration Letters, Purple/Yellow
	0678-361	1		Registration Letters, Red/Black
	0678-532	1		Registration Letters, Red/Black,
	0678-177	1		Registration Letters, Red/Purple

1999 TS 1100 LI (W1999TSPLAUS)
RELATED ITEMS

Page 50 of 64

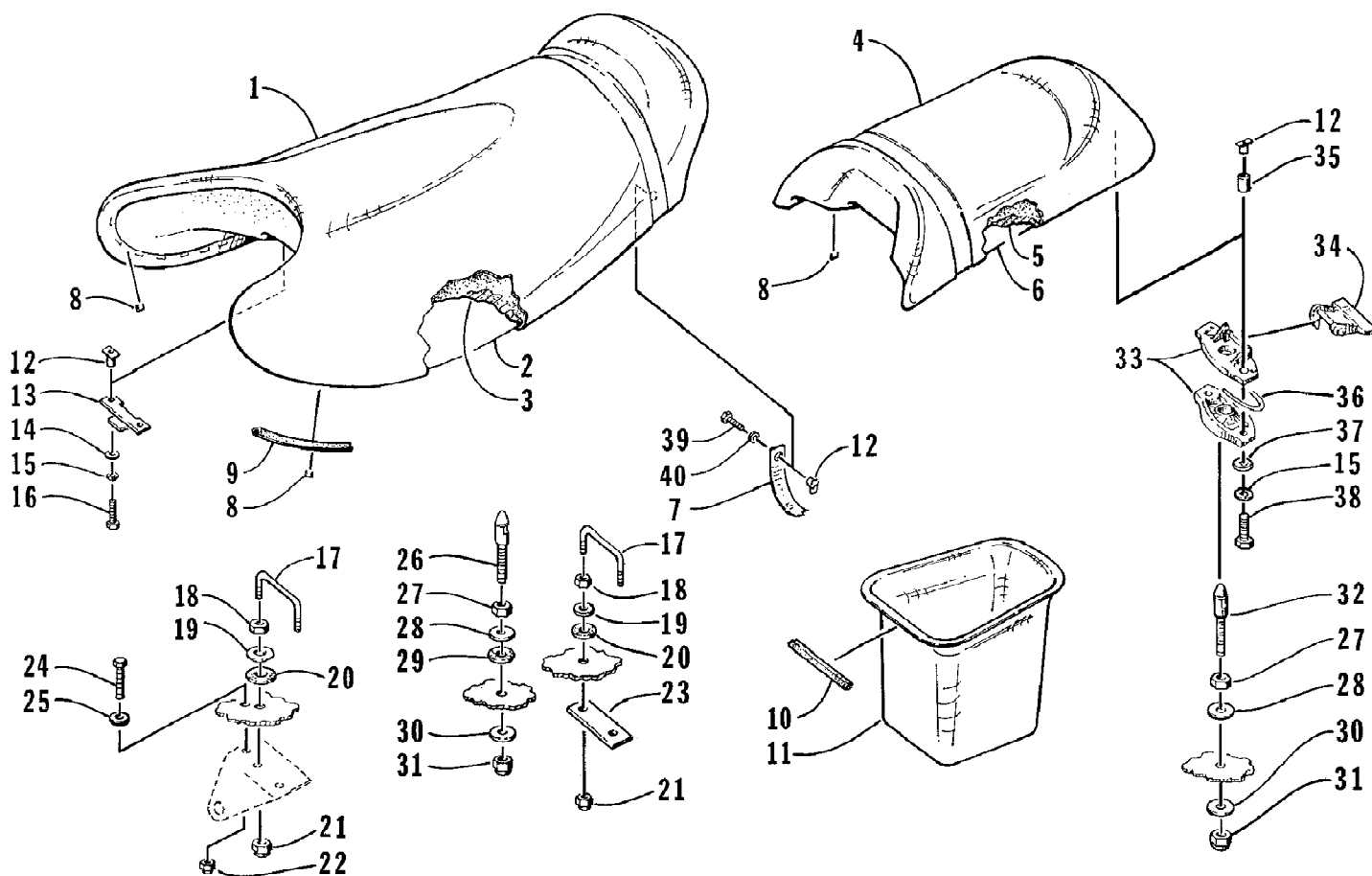
Ref #	Part Number	Qty	S/P/F	Description
	0678-262	1		Registration Letters, Red/Yellow
	0678-178	1		Registration Letters, Teal/Purple
	0678-358	1		Rope - Mooring, Black
	0678-357	1		Rope - Mooring, Blue
	0678-052	1	/P	Rope - Mooring, Purple
	0678-054	1		Rope - Mooring, Red
	0678-053	1		Rope - Mooring, Teal
	0678-189	1	/P	Rope - Nylon, w/clips
	0678-406	1	/P	Rope - Toy Connector, Purple
	0678-407	1		Rope - Toy Connector, Red
	0678-402	1	/P	Rope - Water Toy, 60', Purple
	0678-403	1	/P	Rope - Water Toy, 60', Red
	0678-457	1	/P	Rope - Water ski, 60', Purple
	0678-458	1	/P	Rope - Water ski, 60', Red
	0678-236	1		Shark Rope
	0678-469	1		Shark Stand
	0678-373	1		Stor-tech Plugs 3/pkg
	0678-371	1		Tie Down, 2-hook, Purple
	0678-372	1		Tie Down, 2-hook, Red
	0678-536	1		Tie Down, 3-hook, Red
	0678-105	1		Tool Kit
	0678-463	1		Tube, Hydroshark - 2 up
	0678-462	1		Tube, Hydroshark - 60"
	0678-464	1		Water ski - Combo Set
	0678-393	1		Waterproof Bag
	0678-025	1		Wax - Tigershark

1999 TS 1100 LI (W1999TSPLAUS)
REVERSE DEFLECTOR AND LEVER ASSEMBLY



1999 TS 1100 LI (W1999TSPLAUS)
REVERSE DEFLECTOR AND LEVER ASSEMBLY

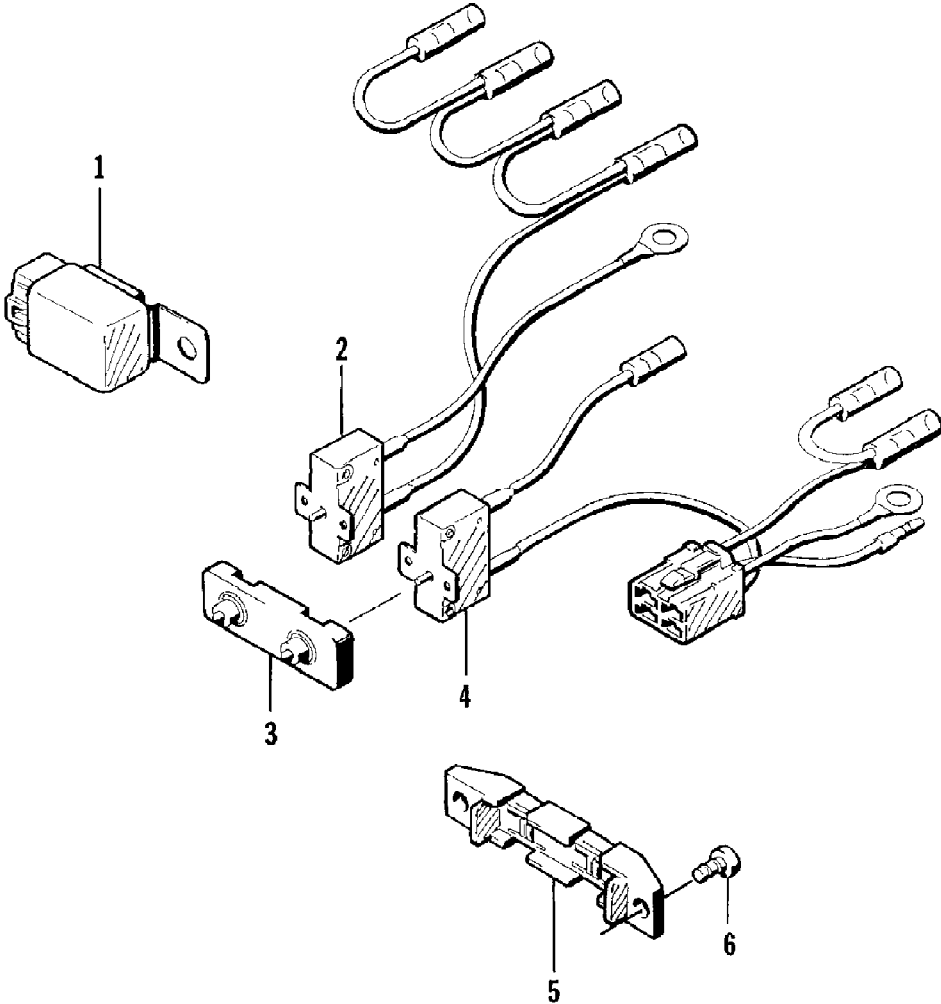
Ref #	Part Number	Qty	S/P/F	Description
1	1673-702	1		Lever, Reverse Assembly
2	0624-288	3		Rivet
3	0624-004	3		Washer
4	0624-478	1		Spacer, Lever
5	1673-636	1	/P	Plate, Reverse
6	0624-228	1		Washer
7	0624-089	2		Nut, Lock
8	0624-028	1		Washer
9	0624-090	3		Nut, Lock
10	0624-160	1		Washer
11	1673-389	1		Arm, Reverse Lever
12	0624-233	1		Nut, Flange
13	0624-476	1		Screw, Machine
14	0673-932	1		Rod, End
15	0624-279	1		Nut
16	0624-470	2		Nut
17	0675-065	1	/P	Latch, Reverse
18	1673-543	1		Bracket, Reverse Cable
19	1673-416	1		Cable, Reverse
20	0624-314	1		Screw, Cap
21	0624-083	1		Wellnut
22	0675-251	1	/P	Strike, Reverse - Starboard
22	0675-212	1		Bracket, Trim Ring - Port
23	0624-022	AR		Washer
24	1673-193	1		Gasket
25	0623-669	1		Nut
26	0775-108	1		Deflector, Reverse
27	0624-446	1		Ring, Retaining
28	0612-363	1		Seal
29	0612-364	1		Cover, Cap
30	0624-450	1		Spacer
31	0624-157	1		Screw, Cap
32	0624-452	1		Spacer
33	1673-630	5		Bushing
34	0624-125	4	/P	Washer
35	0624-210	1		Screw, Cap
36	0624-496	1		Spacer
37	0624-402	1		Screw, Cap
38	0624-497	1		Spacer



1999 TS 1100 LI (W1999TSPLAUS)
SEAT ASSEMBLY

Page 54 of 64

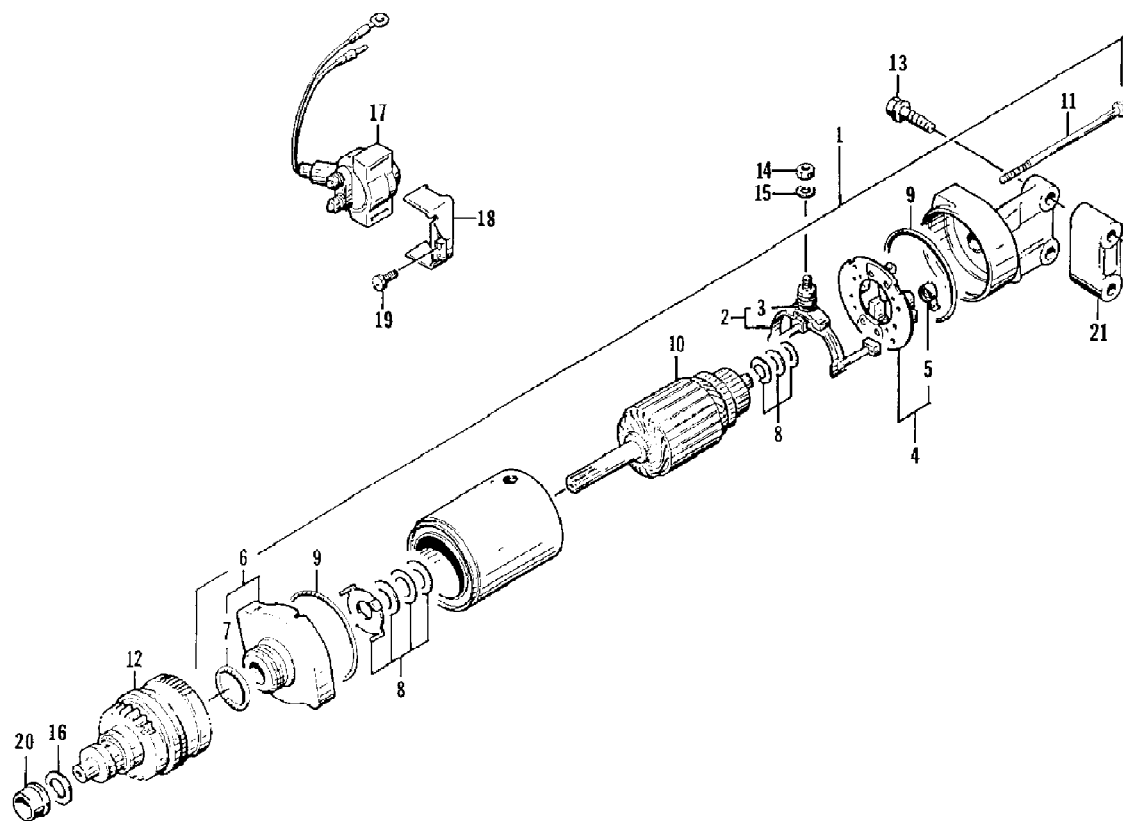
Ref #	Part Number	Qty	S/P/F	Description
	0773-966	1		Complete Seat Assembly - FORWARD
	0773-967	1		Complete Seat Assembly - AFT
1	0773-968	1		Cover, Seat - Forward
2	1673-437	1		Base, Seat - Forward
3	0773-872	1		Foam, Seat - Forward
4	0773-969	1		Cover, Seat - Aft
5	0773-873	1		Foam, Seat - Aft
6	1673-438	1		Base, Seat - Aft
7	1673-684	1		Strap, Seat - Forward
7	1673-685	1		Strap, Seat - Aft
8	0624-263	AR		Staple
9	1673-556	1		Seal, Seat Base - Forward
10	1673-557	1	F	Seal, Cooler
11	1673-443	1	F	Cooler, Rear
12	0624-396	12		Nut
13	0673-668	2		Catch, Seat
14	0624-182	4		Washer
15	0624-036	8		Washer, Lock
16	0624-046	4		Screw, Cap
17	0624-262	2	F	U-Bolt, Seat
18	0624-061	4	F	Nut
19	0624-125	4	/P/F	Washer
20	0624-126	4	F	Washer Rubber
21	0624-090	4	F	Nut Lock
22	0624-089	1	F	Nut, Lock
23	0673-752	1	F	Plate, Backing - Aft
24	0624-271	1	F	Screw, Machine
25	0624-299	1	F	Washer, Sealing
26	1673-383	1	/P/F	Stud, Latch - Seat - Forward
27	0624-047	2	F	Nut
28	0624-159	2	F	Washer
29	0623-391	1	F	Washer Rubber - Forward
30	0624-013	2	F	Washer
31	0624-009	2	F	Nut
32	1673-454	1	F	Stud, Latch - Seat - Aft
33	0773-941	2	/P	Seat Latch Housing Assembly
34	1673-453	1		Lever, Release - Seat Latch - Forward
34	0673-026	1		Lever, Release - Seat Latch - Aft
35	0623-698	4		Spacer - Seat Latch
36	0673-023	2		Clip, Spring Retaining - Seat Latch
37	0624-022	4		Washer
38	0624-302	4		Screw, Cap
39	0624-272	4		Screw, Machine
40	0624-293	4		Washer



1999 TS 1100 LI (W1999TSPLAUS)
SENSOR ASSEMBLY

Page 56 of 64

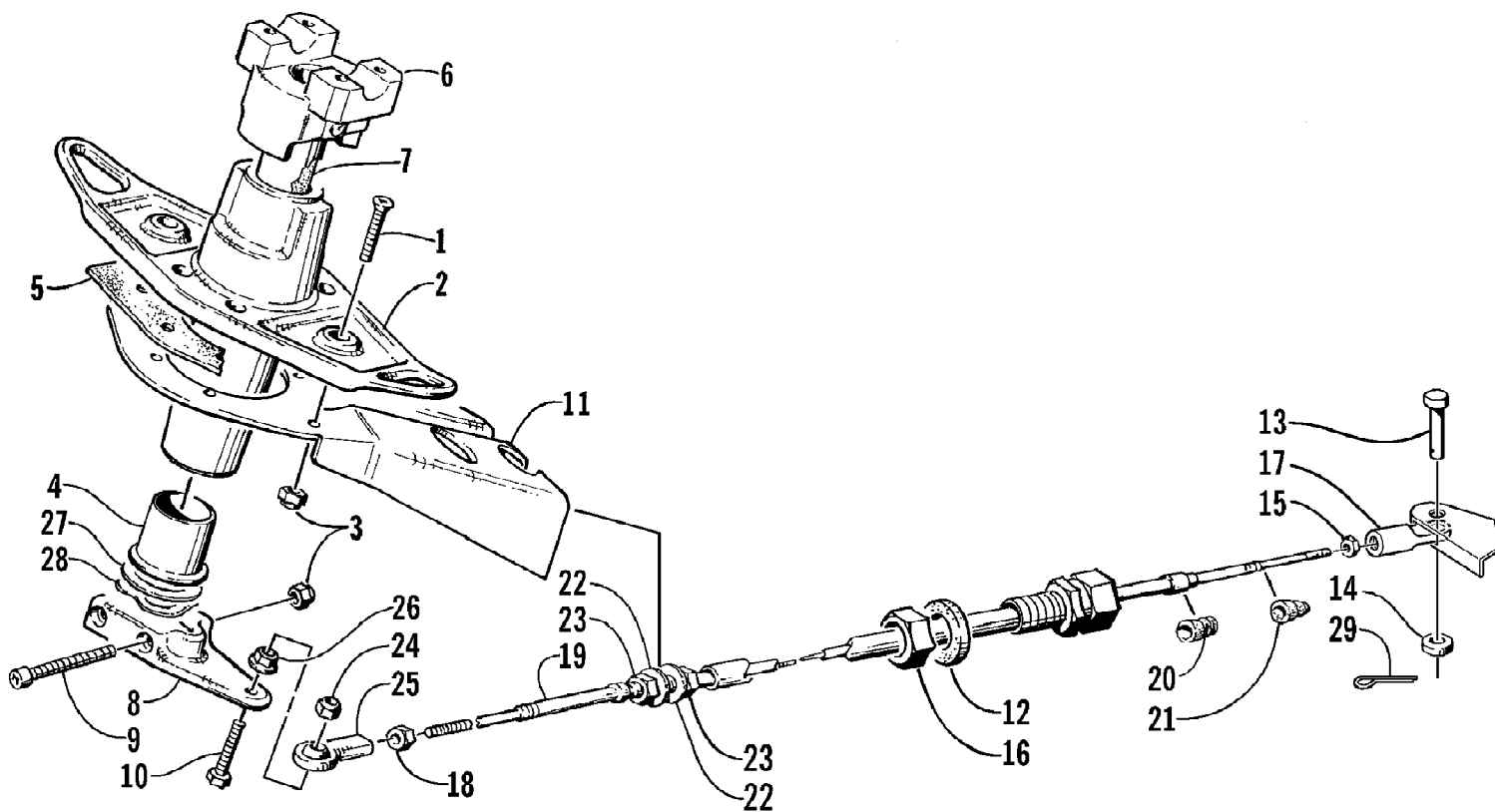
Ref #	Part Number	Qty	S/P/F	Description
1	3008-297	1	/P	Relay - Assembly
2	3008-626	1	/P	Protector, Circuit Charge
3	3008-351	1		Cap, Circuit Protector
4	3008-350	1	/P	Protector, Circuit Load
5	3008-294	1	/P	Holder, Circuit Protector
6	3008-313	2		Screw



1999 TS 1100 LI (W1999TSPLAUS)
STARTER MOTOR ASSEMBLY

Page 58 of 64

Ref #	Part Number	Qty	S/P/F	Description
1	3008-536	1	/P	Starter Motor Assembly (inc. 2-11)
2	3008-094	1	/P	Terminal Set, Brush (inc. 3)
3	3008-164	1		O-Ring
4	3008-095	1	/P	Holder Set, Brush (inc. 5)
5	3008-096	4		Spring, Brush
6	3008-328	1	/P	Front Bracket Assembly (inc. 7)
7	3008-363	1	/P	O-Ring
8	3008-099	2		Shim Set
9	3008-553	2	/P	O-Ring
10	3008-103	1		Armature
11	3008-102	2		Screw, Cap
12	3008-408	1	/P	Pinion Assembly
13	3008-447	2		Screw, Cap
14	3008-014	1		Nut
15	3008-020	1		Washer, Lock
16	3008-480	1	/P	Washer
17	3008-165	1	/P	Relay
18	3008-140	1		Bracket
19	3008-313	1		Screw, Bracket
20	3008-105	2		Bushing, Pinion Shaft
21	3008-277	1		Spacer, Starter Motor

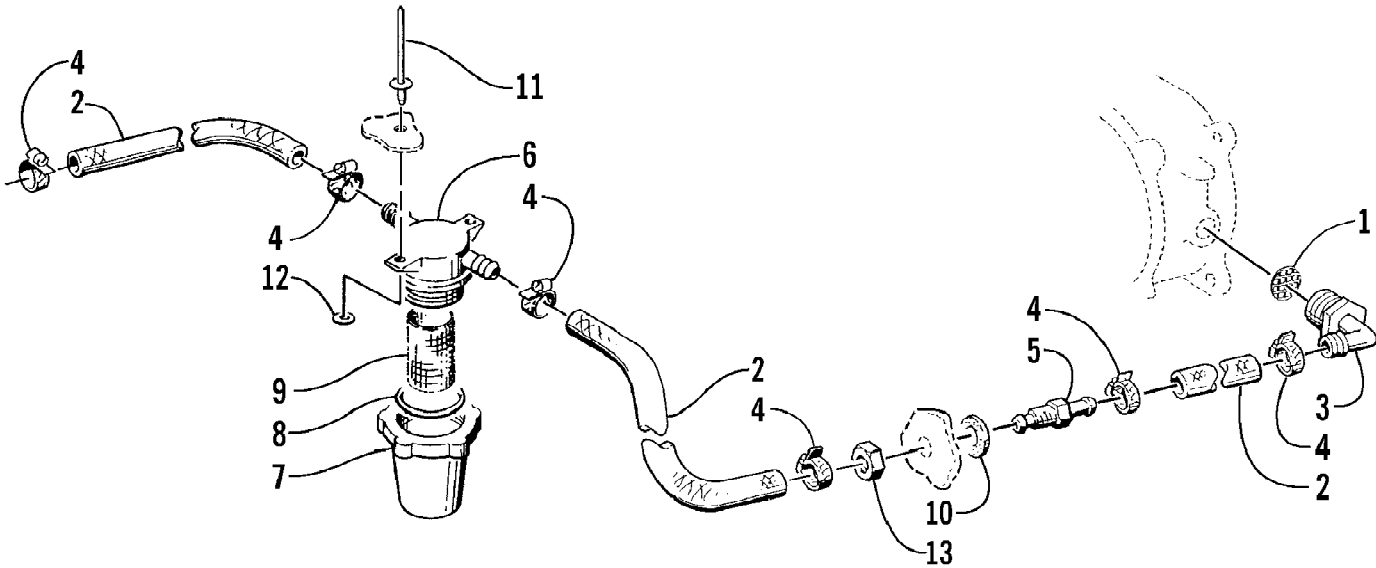


1999 TS 1100 LI (W1999TSPLAUS)
STEERING POST ASSEMBLY

Page 60 of 64

Ref #	Part Number	Qty	S/P/F	Description
1	0624-464	6		Screw, Machine
2	0605-046	1		Housing, Steering
3	0624-250	8		Nut, Lock
4	0605-055	2		Bearing, Flange
5	0605-391	1		Seal
6	0605-382	1		Post, Steering
7	0717-052	AR	/P	Foam, Neoprene Tape
8	0605-072	1		Arm, Steering
9	0624-456	2	/P	Screw, Cap
10	0624-476	1		Screw, Machine
11	0605-054	1		Bracket, Steering Cable
12	1673-193	1		Gasket, Cable - Foam
13	0624-502	1		Pin, Clevis
14	0624-182	1		Washer
15	0624-279	1		Nut
16	0623-669	1		Nut
17	0605-422	1		End, Steering Cable
18	0624-107	1		Nut
19	1673-359	1		Cable, Steering
20	0612-364	1		Cover, Thread Cap - Steering Cable
21	0612-363	1		Seal, Rod
22	0624-106	2		Washer
23	0624-105	2		Nut
24	0624-089	1		Nut, Lock
25	0673-931	1		End, Steering Cable
26	0624-233	1		Nut, Flange
27	0624-468	2		Washer
28	0624-469	2		Washer, Wave
29	0624-505	1		Pin, Cotter

1999 TS 1100 LI (W1999TSPLAUS)
WATER FILTER ASSEMBLY

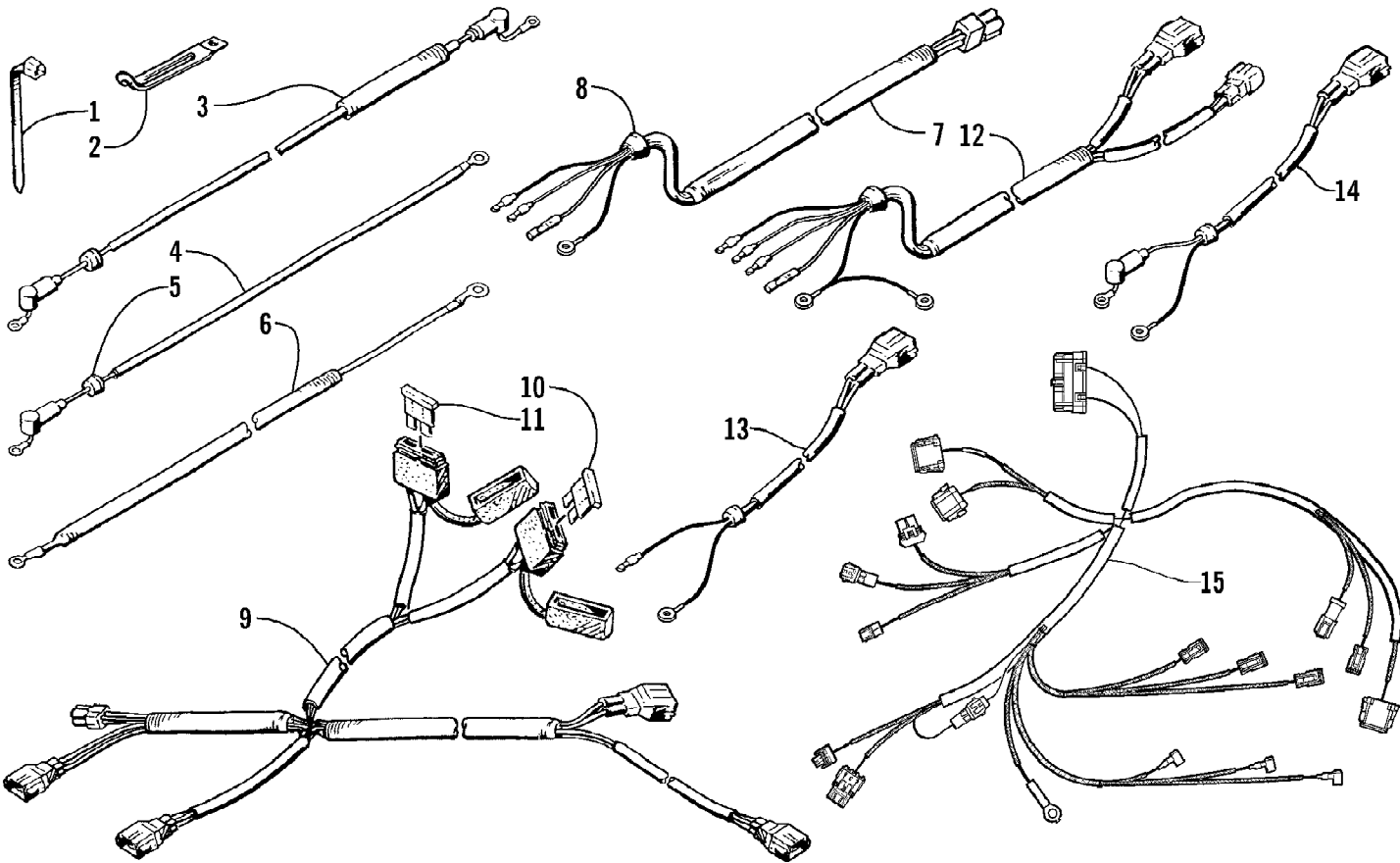


1999 TS 1100 LI (W1999TSPLAUS)
WATER FILTER ASSEMBLY

Page 62 of 64

Ref #	Part Number	Qty	S/P/F	Description
1	0675-042	1		Screen
2	0710-190	AR		Hose, Water - 25 ft
3	1673-158	1		Fitting, Elbow
4	0624-016	6		Clamp, Hose
5	1673-448	1		Fitting
6	1673-161	1		Filter, Water Assembly (inc. 7-9)
7	0673-669	1		Cover
8	0673-670	1		O-Ring
9	0673-671	1		Screen
10	0676-001	1		Gasket, Foam
11	8060-428	2		Rivet
12	0624-025	2		Washer
13	0623-709	1		Nut

1999 TS 1100 LI (W1999TSPLAUS)
WIRING HARNESS



1999 TS 1100 LI (W1999TSPLAUS)
WIRING HARNESS

Page 64 of 64

Ref #	Part Number	Qty	S/P/F	Description
1	3008-044	1		Tie, Cable
2	3002-964	2	/P	Clamp
3	3008-466	1		Cable, Starter
4	3008-345	1	/P	Cable, Battery (inc. 5)
5	3008-334	1	/P	Grommet
6	3008-154	1		Cable, Ground
7	0686-605	1		Harness, E.B./EMM
8	3008-362	1	/P	Grommet
9	0686-628	1	S	Harness, Main
10	0630-056	1		Fuse, 3 AMP
11	0630-103	1		Fuse, 5 AMP
12	0686-608	1		Harness, E.B./Handle Switch
13	0686-607	1		Harness, E.B./Main
14	0686-606	1		Harness, E.B./PDS
15	3670-023	1		Harness, Wiring - Assembly