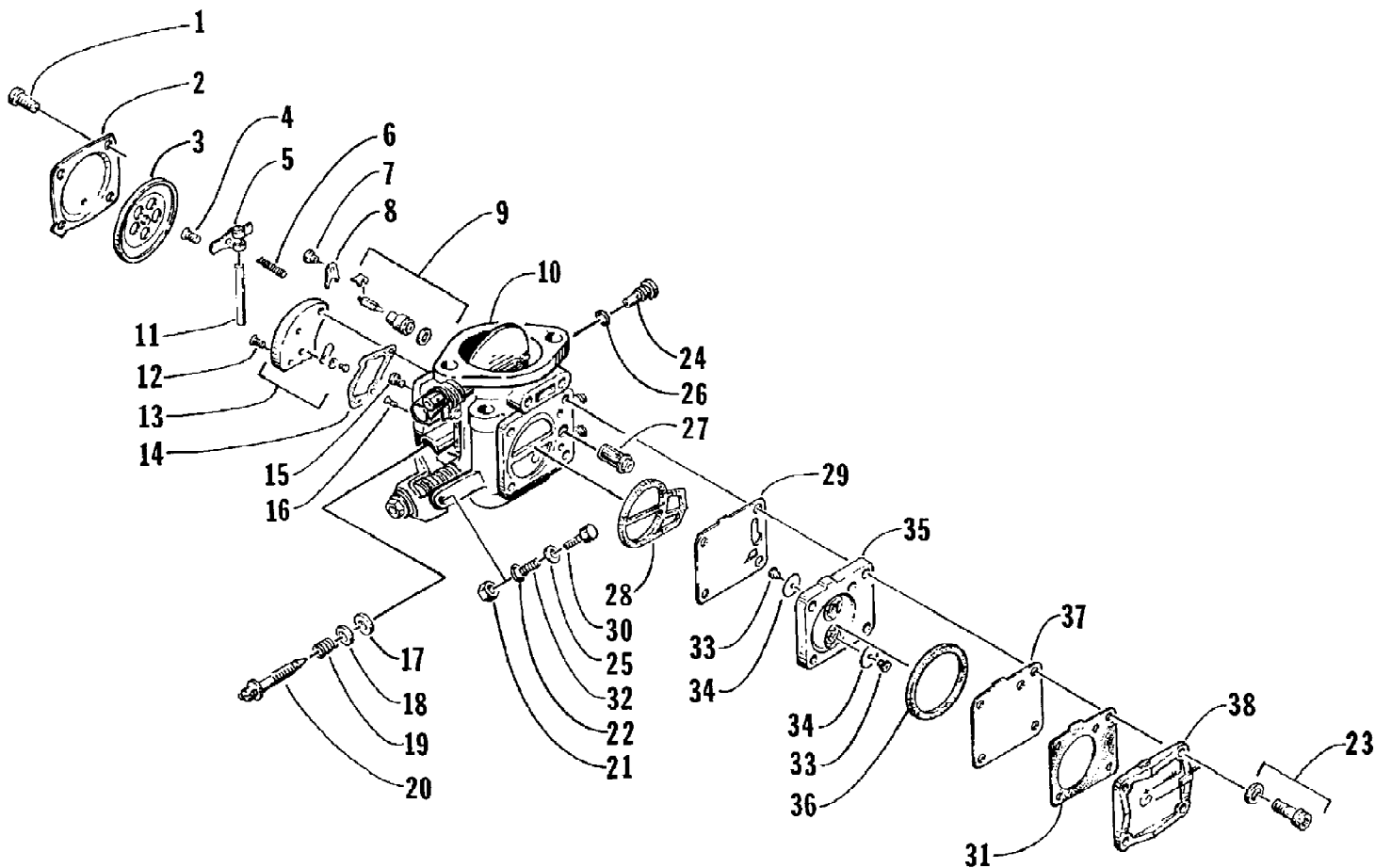


1997 MONTE CARLO 640 (97MCA-1997)
BILGE PUMP ASSEMBLY

Page 2 of 57

Ref #	Part Number	Qty	S/P/F	Description
1	0673-377	1		Fitting, Outlet - Bilge
2	0612-456	2		Seal, Fitting
3	0673-378	2	S	Nut, Fitting
4	0624-018	2		Clamp, Hose
5	0710-185	1		Hose, Bilge
6	0673-404	1		Plug, Drain
7	1673-331	1	S	Pump, Bilge
8	0624-037	1		Clamp
9	1673-062	1		Mount, Bilge Pump
10	0673-459	1		O-Ring
11	0624-250	2		Nut, Lock
12	0673-278	1		Retainer, Drain Plug

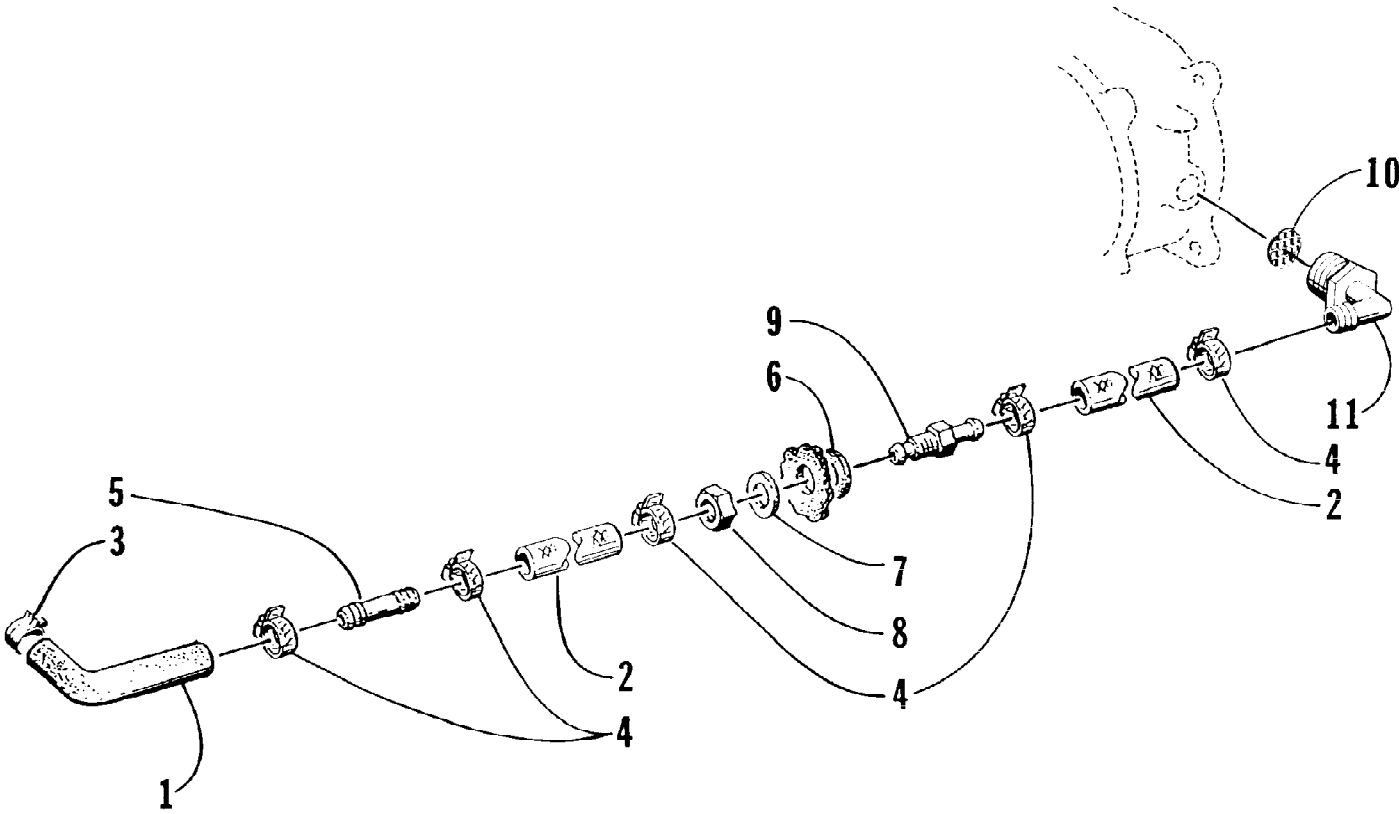


1997 MONTE CARLO 640 (97MCA-1997)
CARBURETOR

Page 4 of 57

Ref #	Part Number	Qty	S/P/F	Description
	0670-640	1		Assembly
	0678-066	1		Carburetor Rebuild Kit
1	6505-915	4		Screw
2	6505-662	1		Cover
3	6505-663	1		Diaphragm Assembly
4	6505-692	1		Screw, Machine
5	6505-664	1		Arm
6	6505-925	1	/P	Spring
7	6505-695	1		Screw, Machine
8	6505-682	1		Plate
9	6505-929	1		Needle Valve Assembly
10	0	1	F	Mixing Body
11	6505-681	1		Pin
12	6505-679	2		Screw, Machine
13	6505-680	1		Block, Metering
14	6505-677	1		Gasket
15	6505-742	1		Main Jet - 132.5
16	6505-775	1		Pilot Jet - 72.5
17	6505-668	1		Seal
18	6505-661	1		Washer
19	6505-660	1		Spring
20	6505-852	1		Adjuster
21	6505-911	1		Nut
22	6505-872	1	/P	O-Ring
23	6505-704	4		Screw w/Washer
24	6505-935	1		Main Jet, Fixed
25	6505-703	1		Washer
26	6505-042	1		O-Ring
27	6505-676	1		Filter
28	6505-665	1		S-Gasket
29	6505-656	1	/P	Diaphragm, Damper
30	6505-912	1		Screw, Adjustment
31	6505-653	1		Gasket
32	6505-678	1		Spring
33	0	2	F	Grommet
34	0	2	F	Valve
35	6505-655	1		Body Assembly, Diaphragm
36	6505-683	1		O-Ring
37	6505-654	1		Diaphragm, Pump
38	6505-652	1		Cover, Pump

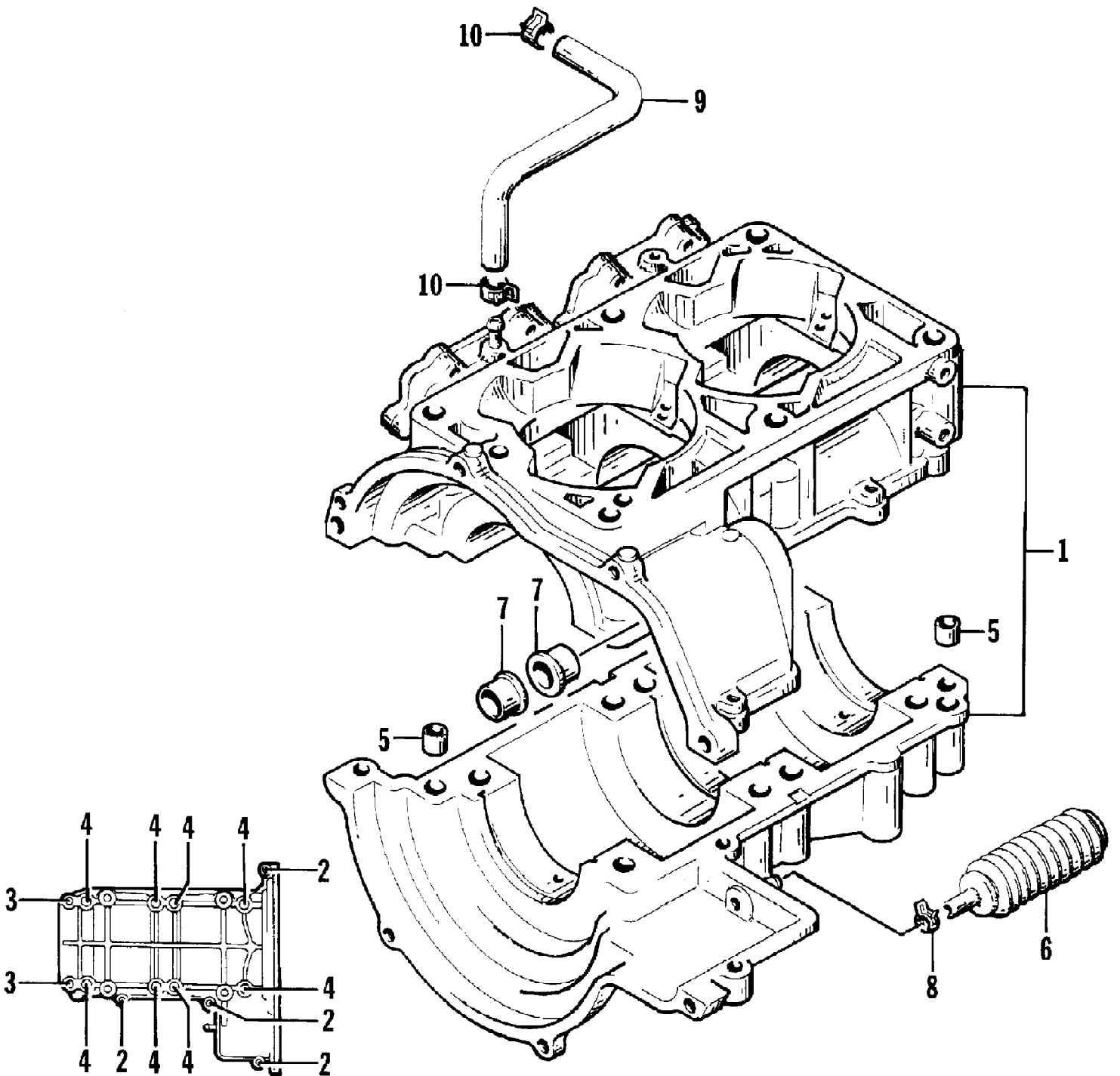
1997 MONTE CARLO 640 (97MCA-1997)
COOLING INTAKE LINE



1997 MONTE CARLO 640 (97MCA-1997)
COOLING INTAKE LINE

Page 6 of 57

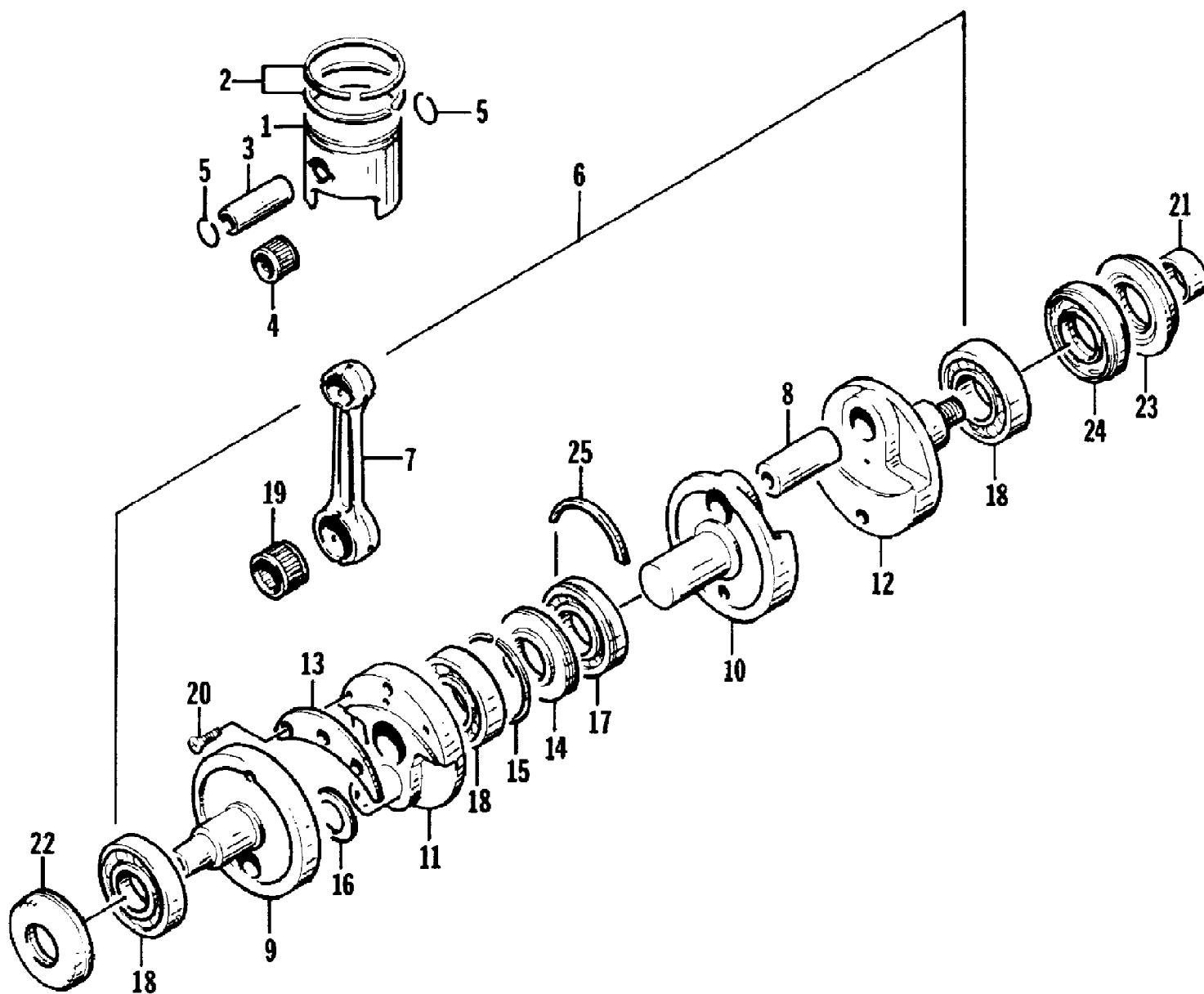
Ref #	Part Number	Qty	S/P/F	Description
1	0610-206	1	/P	Hose, Formed
2	0610-106	0	/P	Hose, Water
3	3008-455	1		Clamp
4	0624-016	5		Clamp
5	0673-564	1		Coupler
6	1673-192	1		Gasket
7	0624-222	1		Washer
8	0624-117	1		Nut
9	0673-981	1		Fitting, Hull
10	0675-042	1		Screen
11	0673-850	1		Fitting, Elbow



1997 MONTE CARLO 640 (97MCA-1997)
CRANKCASE

Page 8 of 57

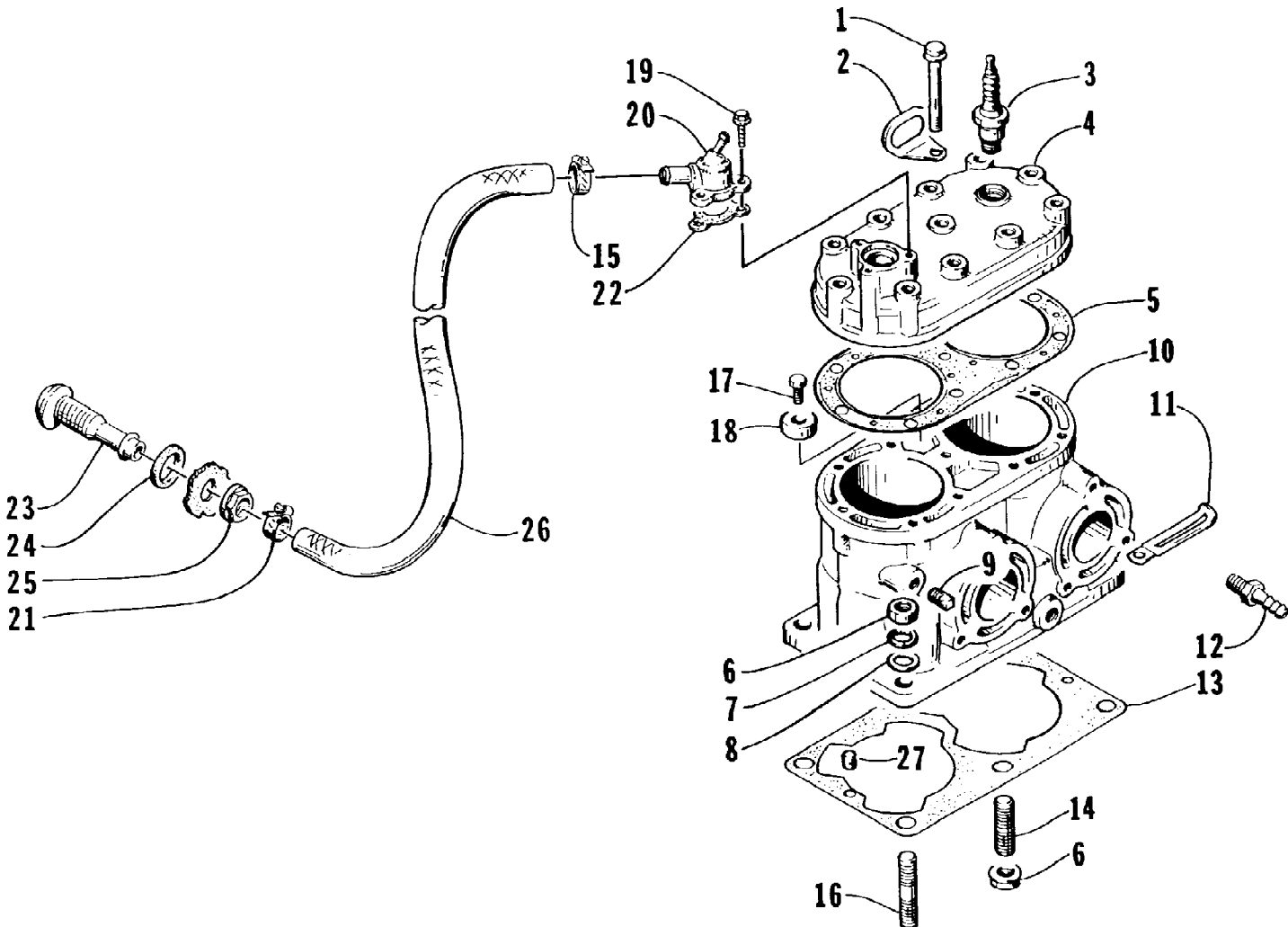
Ref #	Part Number	Qty	S/P/F	Description
1	3008-382	1		Crankcase Assembly (inc. 2-5)
2	3008-210	4	/P	Screw, Cap
3	3008-211	2	S	Screw, Cap
4	3008-212	8	/P	Screw, Cap
5	3008-199	2	/P	Pin
6	3008-100	1		Bladder, Magneto Case
7	3008-105	2		Bushing, Pinion Shaft
8	3008-038	1		Clamp
9	3008-200	1	/P	Hose, Vacuum
10	3008-039	2		Clamp, Hose



1997 MONTE CARLO 640 (97MCA-1997)
CRANKSHAFT

Page 10 of 57

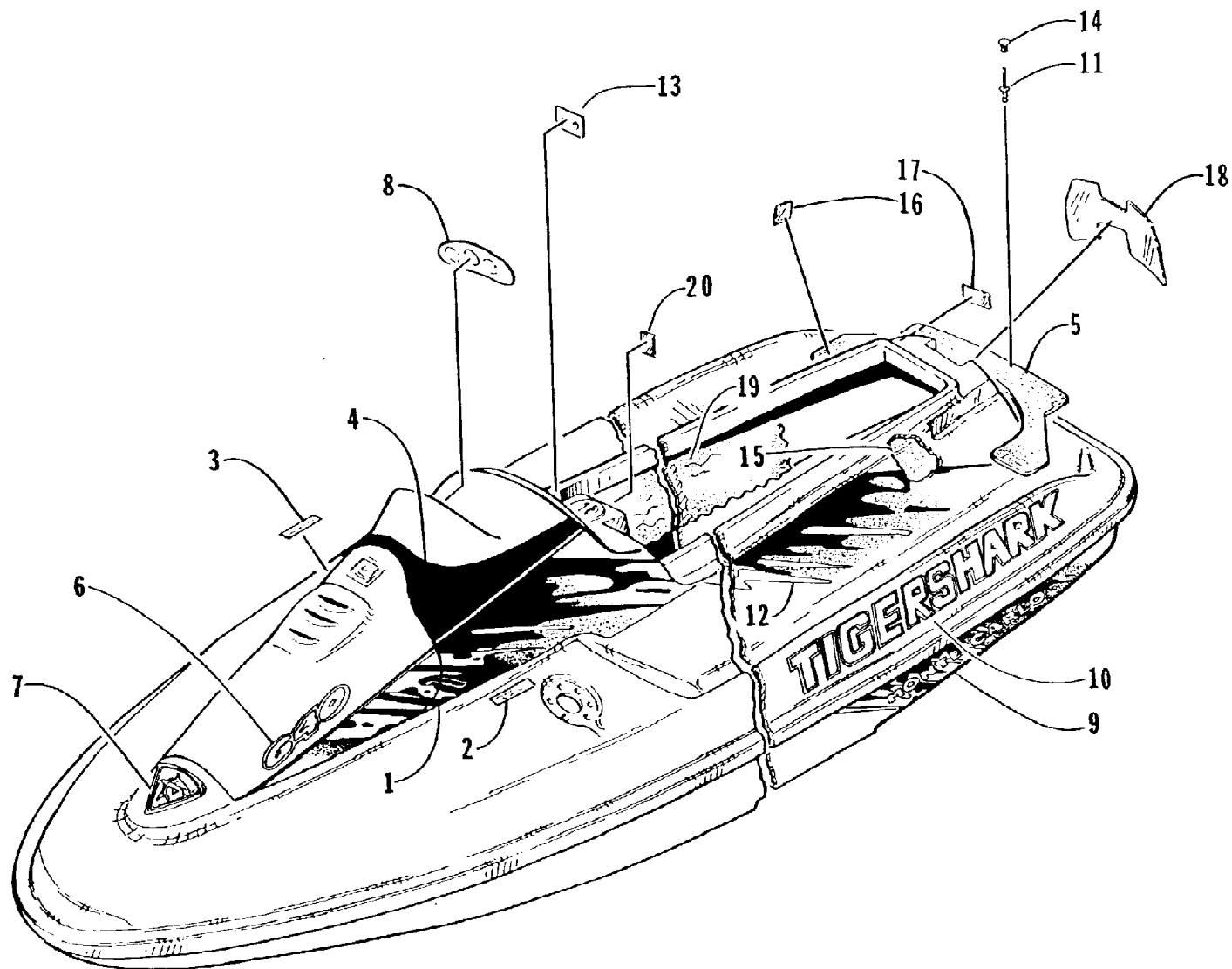
Ref #	Part Number	Qty	S/P/F	Description
1	3008-383	2	/P	Piston, Standard
1	3008-181	2		Piston, Optional (+ 0.010 in.)
1	3008-182	2		Piston, Optional (+ 0.020 in.)
2	3008-396	2	/P	Ring Set, Standard
2	3008-183	2		Ring Set, Optional (+ 0.010 in.)
2	3008-184	2		Ring Set, Optional (+ 0.020 in.)
3	3003-482	2	S	Pin
4	3003-433	2	/P	Bearing
5	3003-439	4	/P	Snap Ring
6	3008-437	1		Crankshaft Assembly (inc. 7-20)
7	3008-062	2		Connecting Rod
8	3008-064	1	S	Crank Pin
9	3008-065	1		Crankshaft, Right
10	3008-066	1		Crankshaft, Center
11	3008-067	1		Wheel
12	3008-433	1		Crankshaft, Left
13	3008-069	1		Balancer
14	3008-070	1		Race, Center
15	3003-817	1	/P	Ring, Center
16	3008-019	1		Washer
17	3008-027	1		Bearing
18	3008-298	3	/P	Bearing
19	3008-029	2		Bearing
20	3004-372	3	S	Screw, Machine
21	3008-072	1		Spacer, Crankshaft
22	3008-031	1		Seal, Oil - Right
23	3008-032	1		Seal, Oil - Left
24	3008-033	1		Seal, Oil - Center
25	3003-216	1		C-Ring



1997 MONTE CARLO 640 (97MCA-1997)
CYLINDER ASSEMBLY

Page 12 of 57

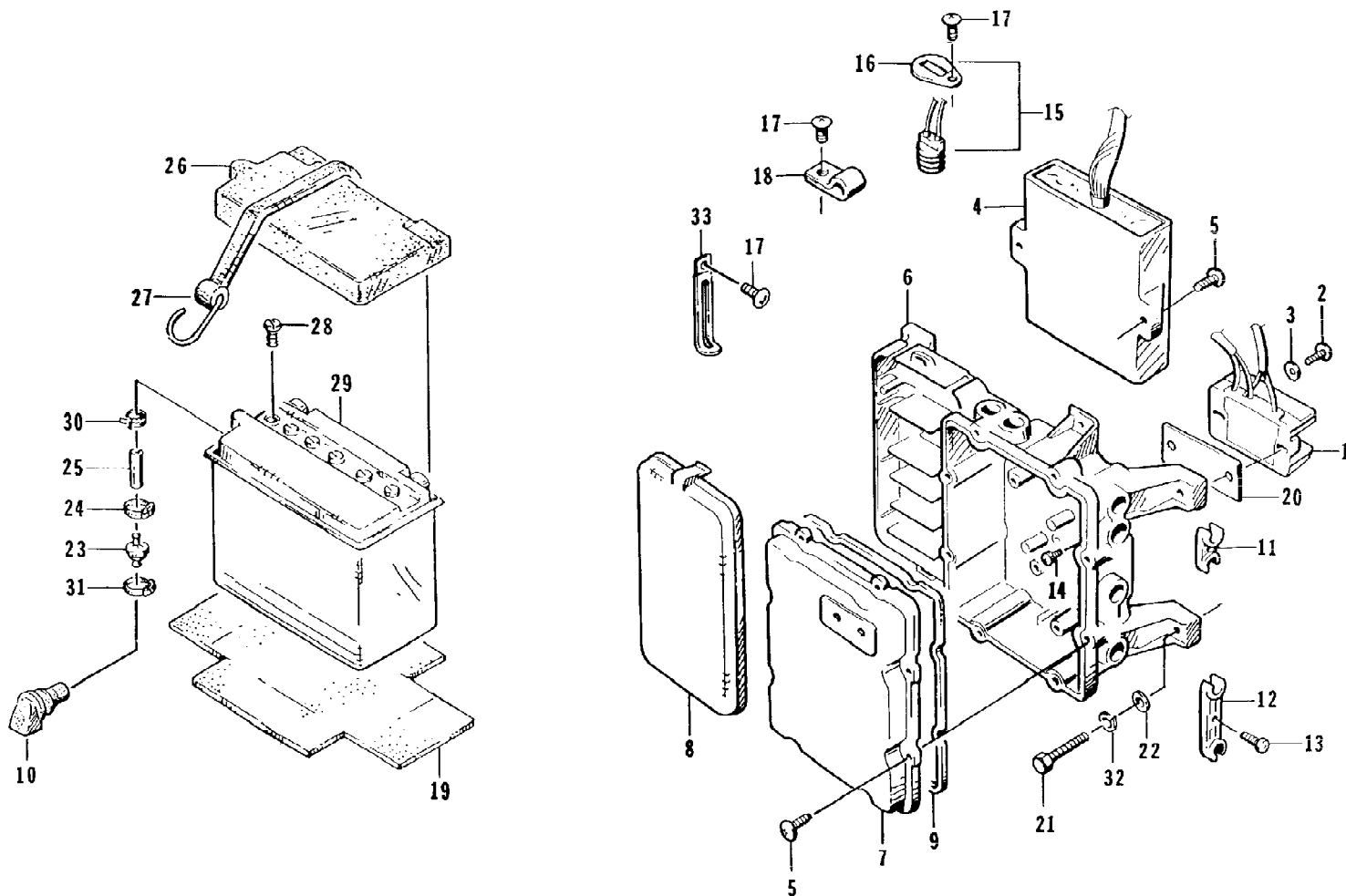
Ref #	Part Number	Qty	S/P/F	Description
1	3008-381	11		Screw, Cap
2	3008-059	1		Hook
3	0217-709	2		Spark Plug (BR9EYA)
4	3008-481	1	/P	Head, Cylinder
5	3008-436	1	/P	Gasket, Cylinder Head
6	3008-209	6	/P	Nut
7	3008-207	5	/P	Washer, Lock
8	3008-237	5	S	Washer
9	3008-377	1	/P	Plug
10	3008-326	1	/P	Cylinder
11	3008-358	2	/P	Clamp
12	3008-361	1		Union
13	3008-050	1		Gasket, Cylinder
14	3008-394	1	/P	Stud
15	0624-379	1		Clamp, Hose
16	3008-300	5		Stud
17	3008-013	1		Screw, Cap
18	3008-047	1		Zinc, Anode (inc. 17)
19	3008-216	3		Screw, Cap
20	3008-089	1		Cap, Thermostat
21	0624-016	2		Clamp, Hose
22	3008-230	1		Gasket, Thermostat
23	0673-374	1		Outlet, Water
24	0612-456	1		Seal, Outlet
25	0673-378	1	S	Nut, Outlet
26	0610-268	0		Hose, Water
27	3008-146	2		Pin



1997 MONTE CARLO 640 (97MCA-1997)
DECAL AND FOOTPAD ASSEMBLY

Page 14 of 57

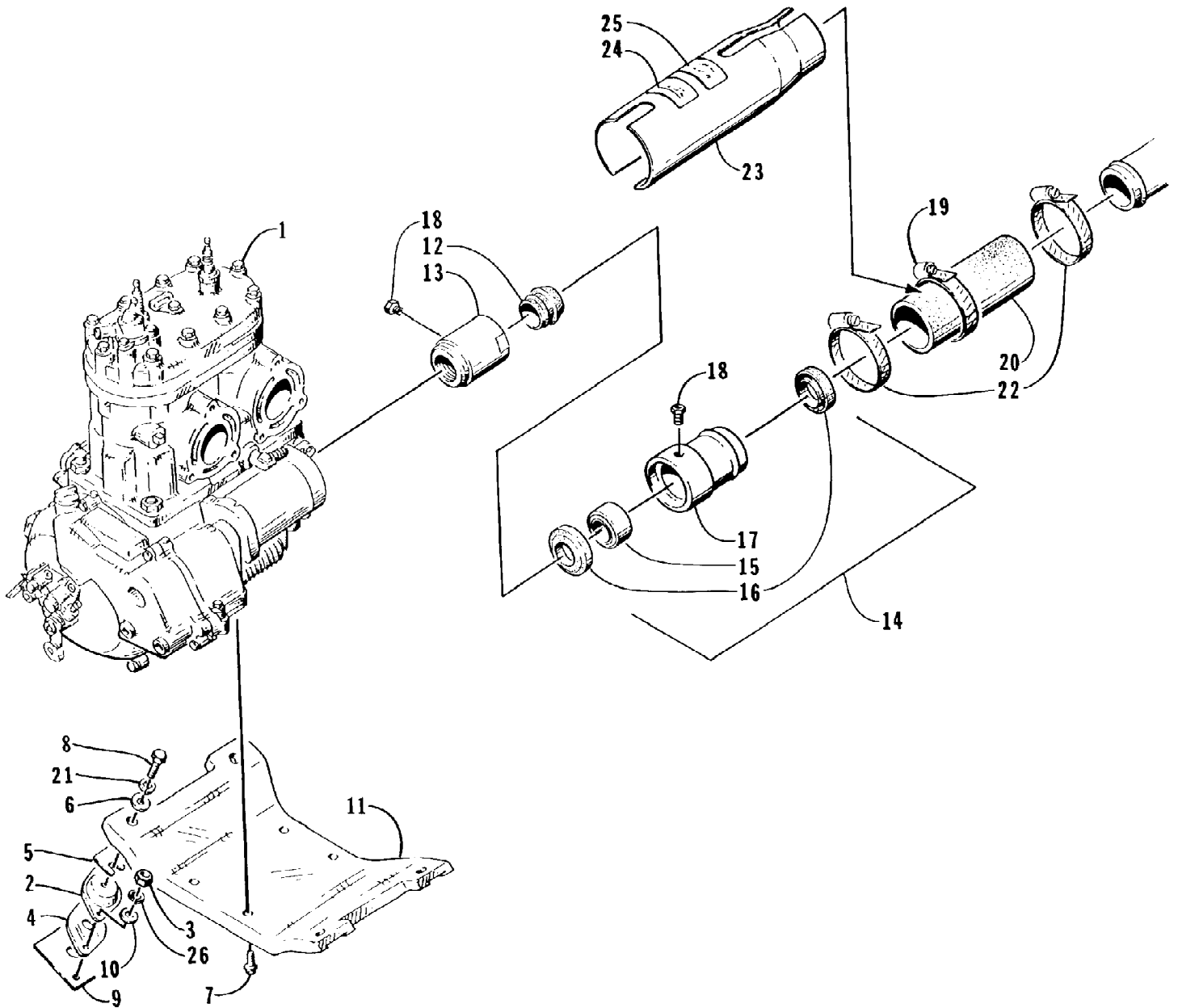
Ref #	Part Number	Qty	S/P/F	Description
1	0614-250	1		Decal, Hatch - Right
1	0614-251	1		Decal, Hatch - Left
2	0614-299	1		Decal, Warning Fuel
3	0614-300	1		Decal, Oil Filler
4	0614-328	1		Decal, Deck - Upper Right
4	0614-329	1		Decal, Deck - Upper Left
5	1673-218	1		Pad, Foot - Rear
6	0614-254	2		Decal, Hatch - "640"
7	0614-321	1		Decal, Crest
8	0614-253	1		Decal, Instrument Panel
9	0614-248	1		Decal, Hull - Right
9	0614-249	1		Decal, Hull - Left
10	0614-252	2		Decal, Deck - "Tigershark"
11	0623-665	20		Rivet
12	0614-246	1		Decal, Side - Right
12	0614-247	1		Decal, Side - Left
13	0614-245	1		Decal, Console
14	1673-181	20		Plug, Mushroom
15	0617-185	1		Foam, Deck - Left
16	0614-067	1		Decal, USCG Exemption
17	0614-154	1		Decal, Caution - Uprighting
18	0614-155	1		Decal, Regulation
19	0617-184	1		Foam, Deck - Right
20	1611-866	1		Decal, Warning - Gas Vapors



1997 MONTE CARLO 640 (97MCA-1997)
ELECTRICAL MODULE AND BATTERY

Page 16 of 57

Ref #	Part Number	Qty	S/P/F	Description
1	3008-279	1	/P	Regulator Assembly (inc. 2)
2	3008-479	2		Screw, Regulator
3	3008-337	2		Washer, Regulator
4	3008-338	1	S	Unit, CDI
5	3008-478	3		Screw, Cap
6	3008-465	1		Case
7	3008-283	1	/P	Cover
8	3008-284	1	/P	Cover
9	3008-285	1	/P	Packing
10	0673-755	1		Vent, Thru Hull - w/Hood
11	3008-124	3		Holder
12	3008-125	1		Holder
13	3008-477	4		Screw, Cap
14	3008-217	1		Screw, Cap
15	3008-330	1	S/P	Sensor - Assembly (inc. 16)
16	3008-134	1		Supporter
17	3008-219	3		Screw, Machine
18	3008-040	1		Clamp
19	1673-310	1	S	Pad, Battery
20	3008-336	1	/P	Base, Regulator
21	0624-290	4		Screw, Cap
22	0624-228	4		Washer
23	0670-295	1		Valve, Check
24	0623-502	1		Clamp
25	0645-264	1		Hose, Battery Vent
26	1673-212	1		Cover, Battery
27	0773-779	3		Strap - Assembly
28	0645-045	6		Cap, Battery
29	0645-232	1	S	Battery
30	0645-152	1		Clamp, Hose - Battery Vent
31	0623-063	1		Clamp
32	0624-115	4		Washer, Lock
33	3008-357	1		Clamp

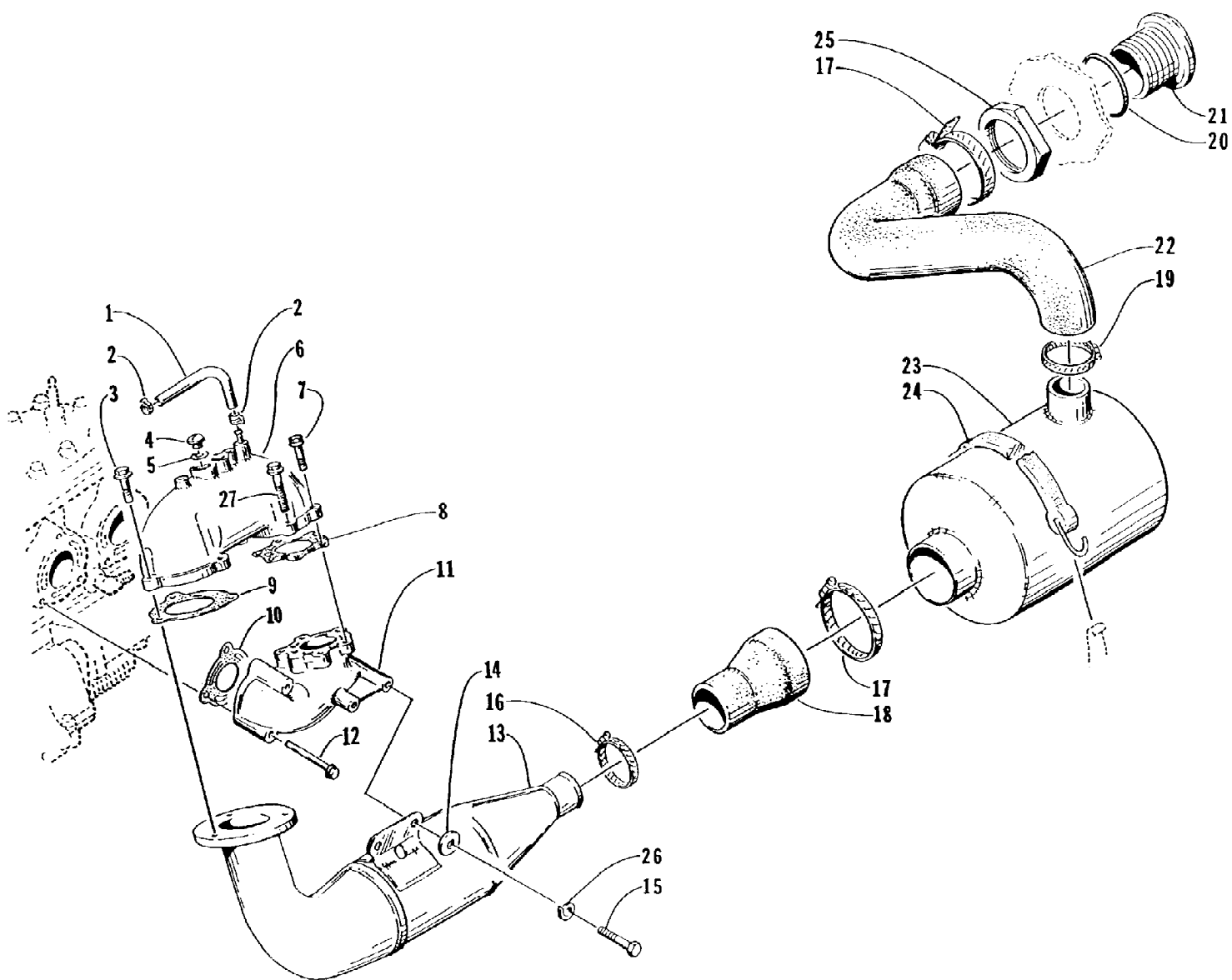


1997 MONTE CARLO 640 (97MCA-1997)
ENGINE AND RELATED ASSEMBLY

Page 18 of 57

Ref #	Part Number	Qty	S/P/F	Description
1	0662-193	1	/P	Engine
2	0608-157	4		Damper, Engine
3	0624-149	8		Nut
4	0673-508	0	/P	Shim, Engine Mount - 0.125 in.
4	0673-509	0		Shim, Engine Mount - 0.063 in.
5	0624-014	0	/P	Shim - 0.5 mm
5	0624-015	0	/P	Shim - 1.5 mm
6	3008-016	4		Washer
7	3008-203	4	/P	Screw, Cap
8	0624-275	4		Screw, Cap
9	1673-386	1		Shim, Engine Mount
10	0624-028	8		Washer
11	3008-395	1	S	Plate, Engine Mount
12	0673-787	1	S	Grommet, Seal
13	0675-059	1		Coupler, Engine
14	0775-032	1	/P	Housing, Seal - Ass'y (inc. 15-17, one 18)
15	0675-130	2		Bearing
16	0675-114	2	S	Seal
17	0675-129	1		Housing/Bearing - Floating
18	0623-658	2		Fitting, Grease
19	0624-037	1		Clamp
20	0675-017	1	S	Hose, Coupler
21	3008-021	4		Washer, Lock
22	0624-390	2		Clamp, Hose
23	0773-627	1		Guard, Coupler - Assembly (inc. 24-25)
24	1611-608	1		Decal, Warning
25	0614-244	1		Decal, Coupler - Servicing
26	0624-027	8		Washer, Lock

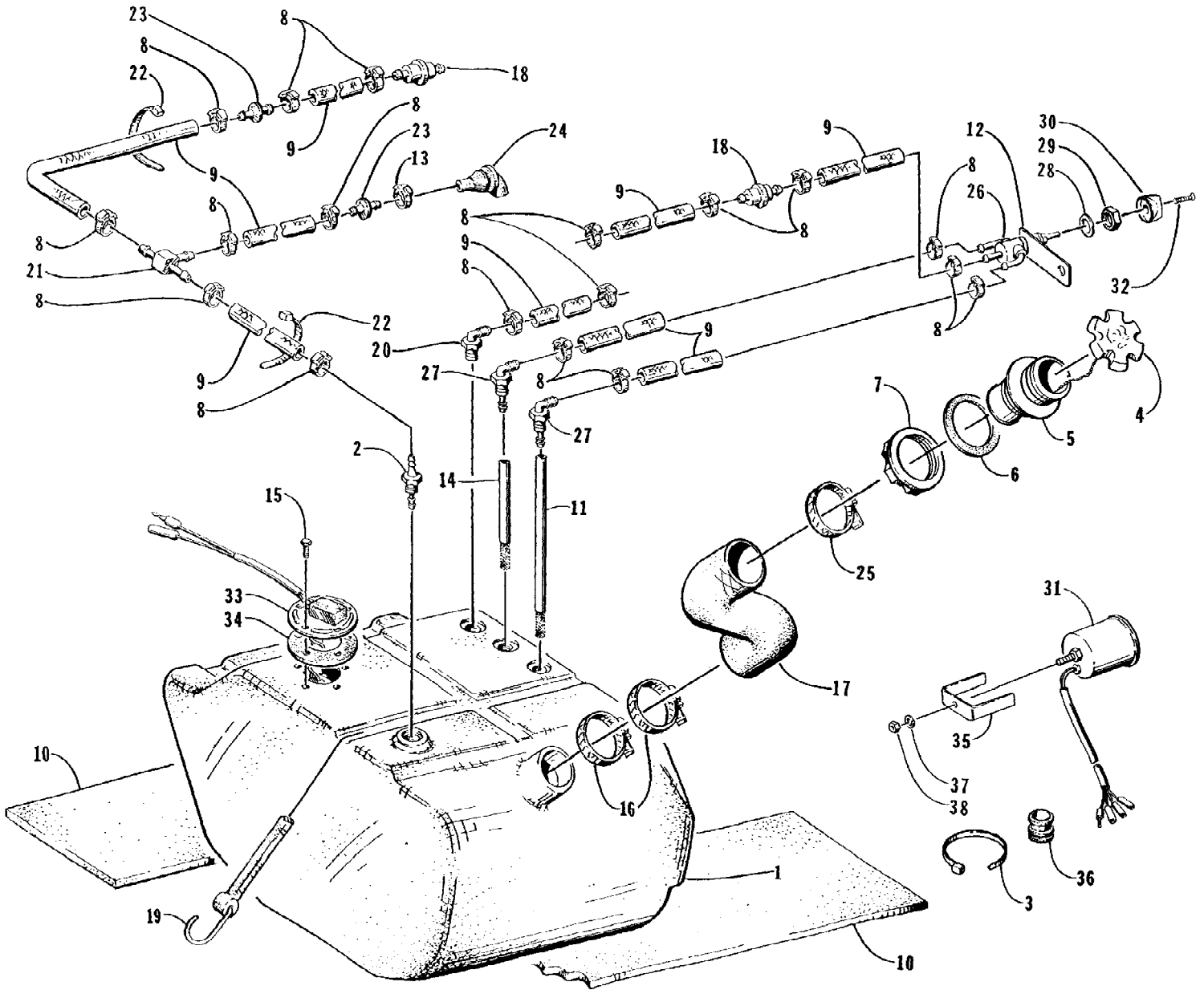
1997 MONTE CARLO 640 (97MCA-1997)
EXHAUST ASSEMBLY



1997 MONTE CARLO 640 (97MCA-1997)
EXHAUST ASSEMBLY

Page 20 of 57

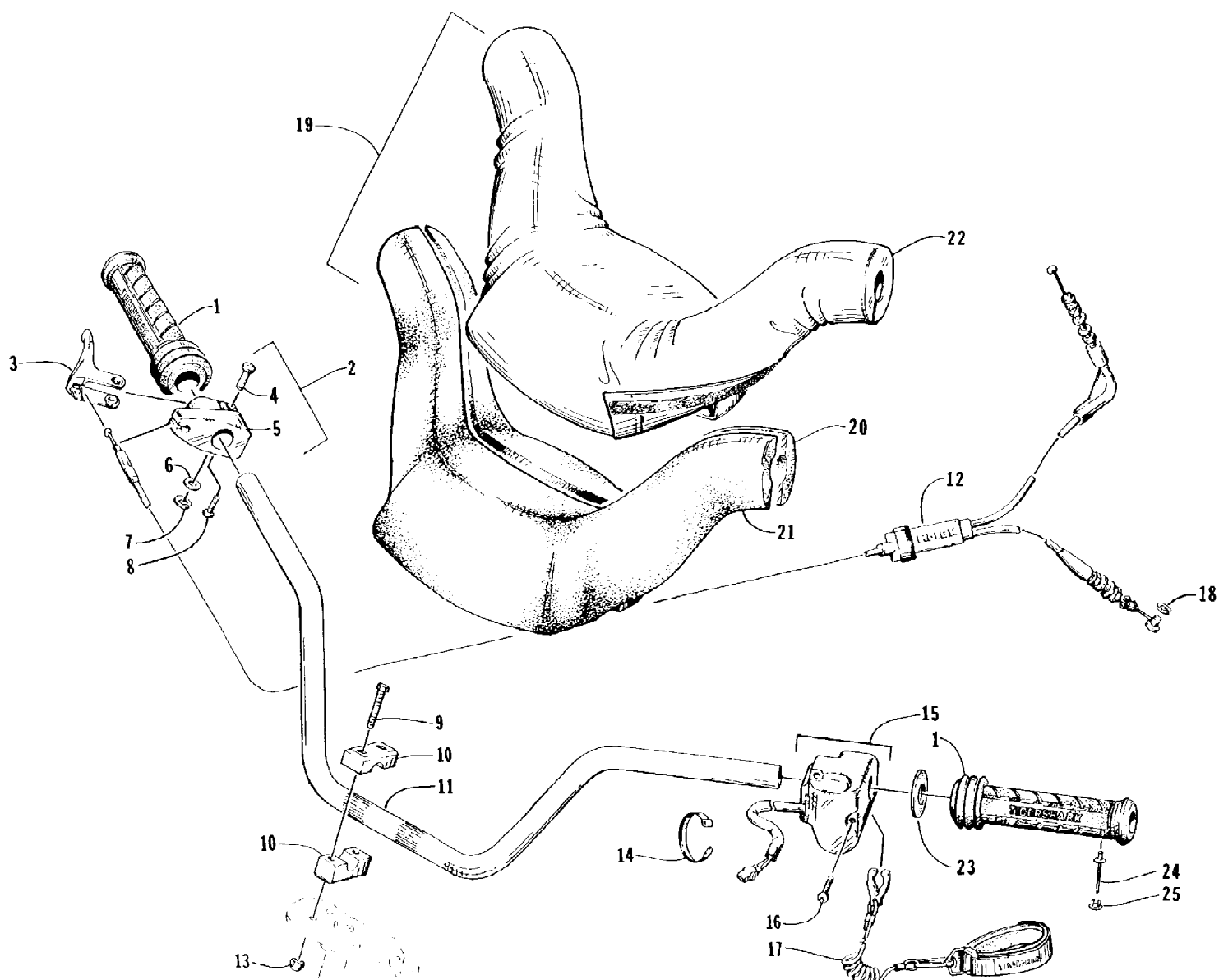
Ref #	Part Number	Qty	S/P/F	Description
1	3008-355	1	/P	Hose, By-Pass
2	3008-039	2		Clamp
3	3008-215	3	/P	Screw, Cap
4	3008-025	1		Plug
5	3008-022	1		Gasket
6	3008-398	1		Pipe, Exhaust
7	3008-371	3		Screw, Cap
8	3008-385	1	/P	Gasket, Exhaust Pipe
9	3008-386	1	/P	Gasket, Exhaust Joint
10	3008-384	2	/P	Gasket, Exhaust Manifold
11	3008-204	1	/P	Manifold, Exhaust
12	3008-373	6	/P	Screw, Cap
13	0712-217	1		Expansion Chamber
14	3008-189	2		Washer
15	3008-188	2		Screw, Cap
16	0624-390	1		Clamp, Hose
17	0624-169	2		Clamp, Hose
18	0610-144	1		Hose, Exhaust - In
19	0624-037	1		Clamp, Hose
20	0612-676	1		Gasket, Exhaust - Foam
21	0612-575	1	S	Outlet, Exhaust
22	0610-284	1		Hose, Exhaust - Out
23	0712-230	1		Muffler
24	0773-779	1		Tiedown
25	0612-576	1		Nut, Exhaust Outlet
26	3008-021	2		Washer, Lock
27	3008-372	2		Screw, Cap



1997 MONTE CARLO 640 (97MCA-1997)
GAS TANK ASSEMBLY

Page 22 of 57

Ref #	Part Number	Qty	S/P/F	Description
1	0770-183	1		Tank, Gas - Ass'y (inc. 2,11,14,20,27)
2	0670-564	1		Outlet, Gas Tank - Brass
3	0123-788	1	/P	Tie, Cable
4	0670-656	1	S	Cap
5	0670-545	1	S	Neck, Filler
6	0670-688	1		Seal, Filler Neck
7	0670-548	1		Nut, Filler Neck
8	0624-120	19		Clamp, Hose
9	0610-107	0		Hose
10	1673-344	2		Pad, Gas Tank
11	1673-130	1		Tube, Drop - Reserve
12	1673-373	2		Plate, Fuel Reserve
13	0623-063	1		Clamp
14	1673-055	1		Tube, Drop - Main
15	0624-312	6		Screw, Machine
16	0624-037	2		Clamp, Hose
17	0610-313	1		Hose, Filler
18	0510-335	2	/P	Filter, Fuel
19	0773-383	2		Tiedown
20	0115-607	1	S	Fitting, Elbow
21	0109-332	1		T-Connection
22	0123-788	2	/P	Tie, Cable
23	0610-059	2		Valve, Check
24	0673-755	1		Vent, Fuel
25	0624-390	1		Clamp, Hose
26	0670-710	1		Valve, Fuel Reserve
27	0670-565	2		Fitting, Elbow
28	0623-693	1		Washer
29	0623-687	1		Nut
30	1673-274	1		Knob, Fuel
31	0620-190	1	S	Gauge, Fuel
32	0624-428	1		Screw, Machine
33	0620-180	1		Sensor, Fuel Level
34	0670-474	1		Gasket, Fuel Sender
35	0620-173	1		Clamp, Fuel Gauge
36	1673-399	1		Seal, Bulkhead
37	0623-702	1		Washer, Star
38	0623-701	1		Nut

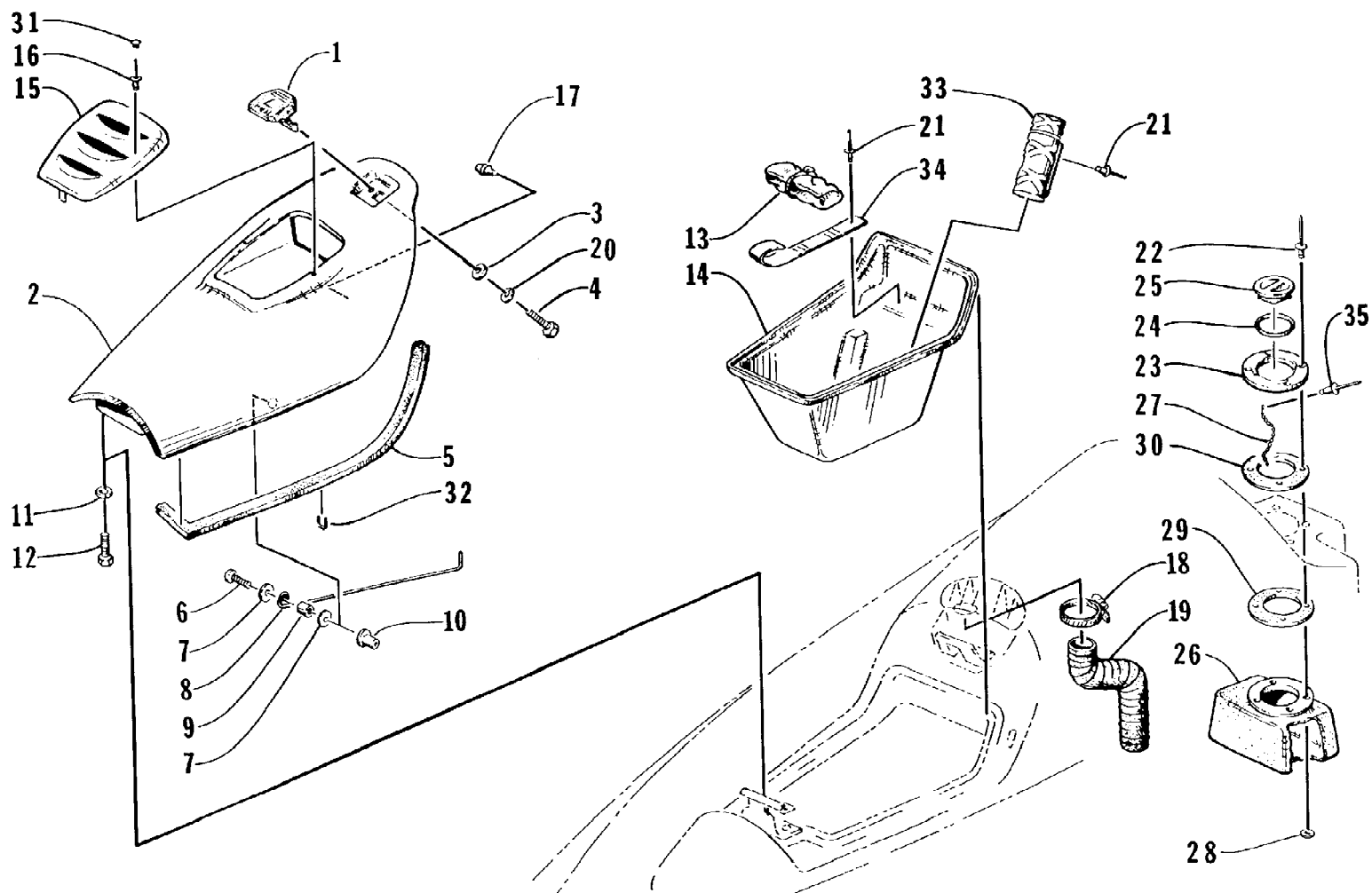


1997 MONTE CARLO 640 (97MCA-1997)
HANDLEBAR ASSEMBLY

Page 24 of 57

Ref #	Part Number	Qty	S/P/F	Description
1	0673-990	2	S	Grip, Handlebar
2	0773-018	1		Throttle, Assembly (inc. 3-8)
3	0605-234	1		Lever, Throttle
4	0605-236	1		Pin, Throttle Lever
5	0605-235	1		Housing, Throttle
6	0624-099	1		Washer
7	0624-113	1		C-Clip
8	0624-091	1		Screw, Machine
9	0624-056	4		Screw, Cap
10	0673-282	4		Cap, Steering Adjuster
11	0673-992	1	/P	Handlebar
12	0687-093	1		Cable, Throttle
13	0624-250	4		Nut, Lock
14	0123-788	1	/P	Tie, Cable
15	0609-284	1		Switch, Start/Stop/Tether/Bilge (inc. 16)
16	0624-148	3		Screw, Machine
17	0609-310	1	/P	Cord, Tether
18	0624-104	1		C-Clip
19	0773-723	1		Handlebar Pad - Assembly (inc. 20-22)
20	0605-335	1		Pad, Handlebar - Rear
21	0605-334	1		Pad, Handlebar - Front
22	0	1	F	Cover, Handlebar Pad
23	1673-095	1		Washer, Rubber - Handlebar
24	8060-230	2		Rivet
25	1673-111	2		Plug

1997 MONTE CARLO 640 (97MCA-1997)
HATCH COVER AND STORAGE TRAY

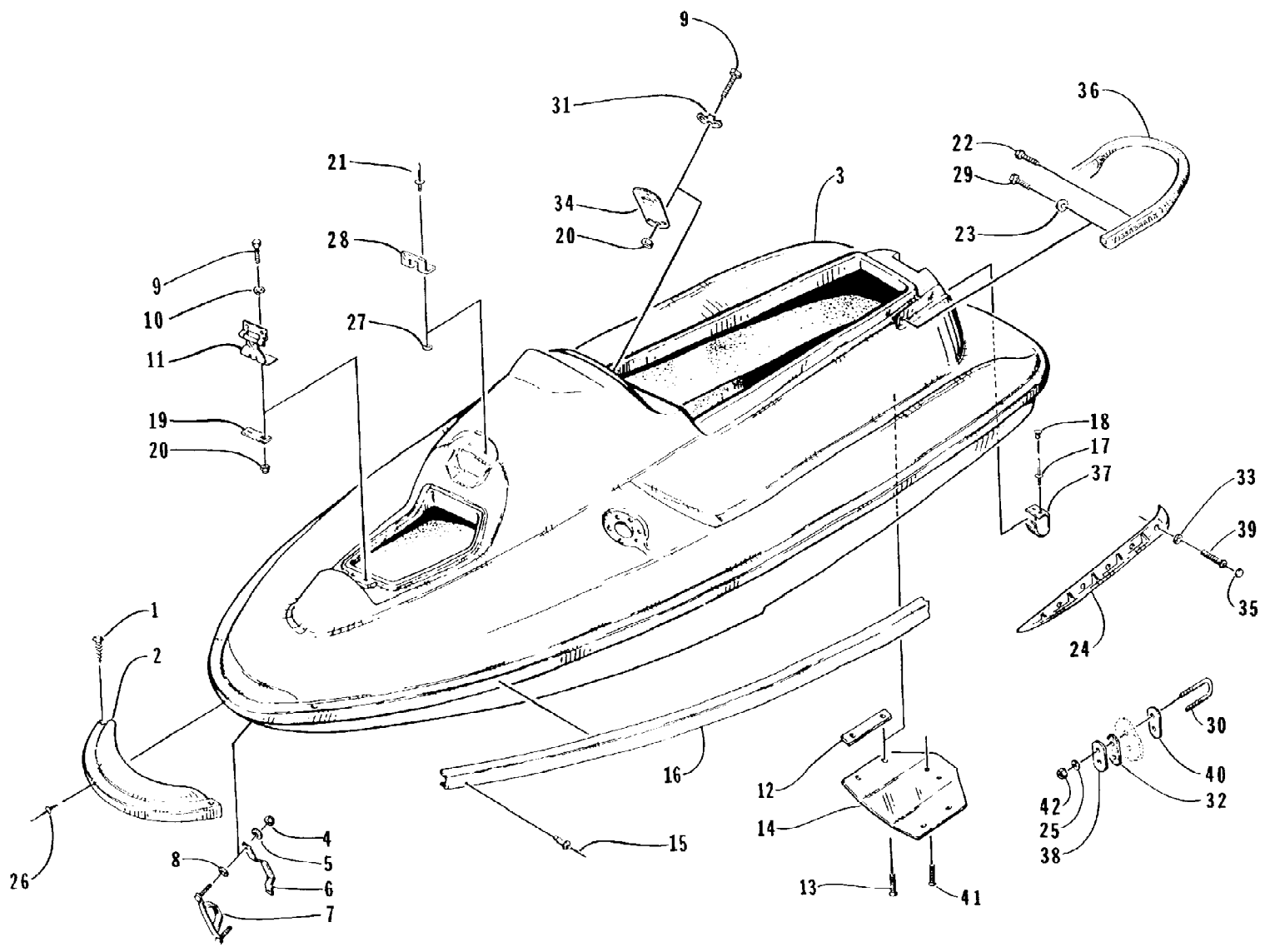


1997 MONTE CARLO 640 (97MCA-1997)
HATCH COVER AND STORAGE TRAY

Page 26 of 57

Ref #	Part Number	Qty	S/P/F	Description
1	0673-882	1		Latch, Hatch Cover
2	1673-295	1		Cover, Hatch
3	0624-004	2		Washer
4	0624-092	2		Screw, Cap
5	0773-680	1	/P	Seal, Hatch
6	0624-214	1		Screw, Machine
7	0624-182	2		Washer
8	0673-899	1		Rod, Hood Prop
9	0673-399	1		Spacer, Spring Rod
10	0624-083	1		Nut, Well
11	0624-115	2		Washer, Lock
12	0624-226	2		Screw, Cap
13	0678-399	1		Kit, Tool
14	1673-175	1		Tray, Storage
15	1673-211	1	/P	Grille, Hatch - Black
16	0623-619	2		Rivet
17	1673-060	2		Bumper, Grommet
18	0624-207	1		Clamp
19	0610-211	1		Hose, Air Intake
20	0624-200	2		Washer, Lock
21	0623-685	5		Rivet
22	0623-633	6		Rivet
23	0673-862	1	S	Ring, Mount
24	1673-146	1		Seal
25	0673-861	1		Lid, Storage Cover
26	0673-652	1	/P	Container, Storage
27	0773-401	1		Chain, Cover
28	0623-603	4		Washer, Backup
29	0673-973	1		Seal, Storage Cover
30	1673-155	1		Gasket, Mounting - Storage Container
31	1673-111	2		Plug, Mushroom
32	0624-263	0		Staple
33	1673-046	1		Tube, Fire Extinguisher
34	0773-217	1		Tiedown, Tool Kit
35	0624-074	2		Rivet

1997 MONTE CARLO 640 (97MCA-1997)
HULL AND RELATED PARTS ASSEMBLY

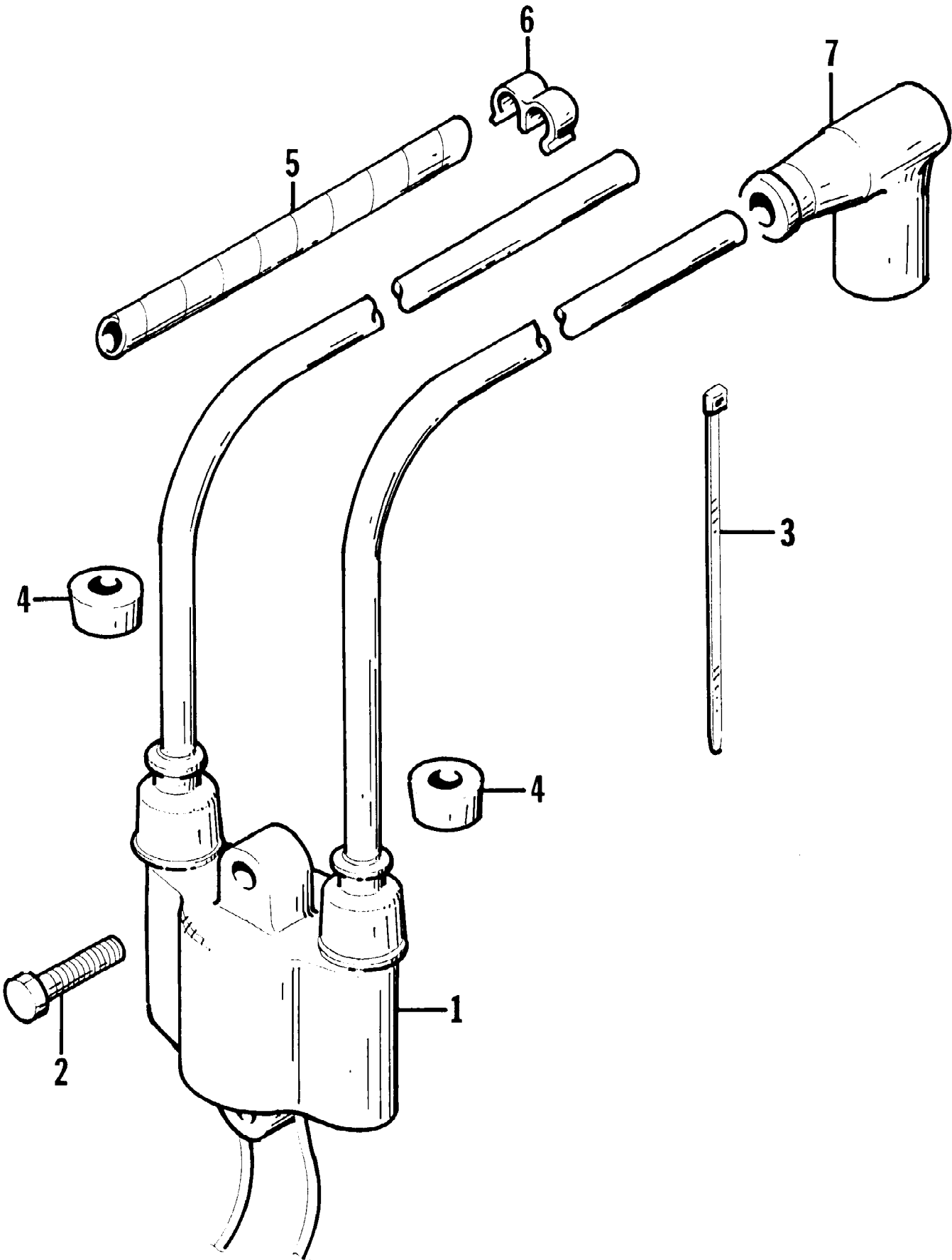


1997 MONTE CARLO 640 (97MCA-1997)
HULL AND RELATED PARTS ASSEMBLY

Page 28 of 57

Ref #	Part Number	Qty	S/P/F	Description
1	0623-694	2	/P	Clip, Retaining
2	1673-184	1	S	Nose, Cone
3	0773-810	1		Hull/Deck - Assembly
4	0624-089	2		Nut, Hex
5	0624-247	2		Washer
6	0673-897	1		Strap, Reinforcement
7	0773-516	1	/P	Boweye
8	0624-299	2		Washer, Sealing
9	0624-112	5	/P	Screw, Cap
10	0624-022	2		Washer
11	0673-871	1		Hinge, Hatch Assembly
12	1673-200	2		Plate, Nut
13	0624-186	4		Screw, Machine
14	0673-857	1		Plate, Ride
15	0624-068	48		Rivet
16	1673-228	1		Trim - Right
16	1673-229	1		Trim - Left
17	0623-665	2		Rivet
18	1673-181	2		Plug, Mushroom
19	0673-870	1		Plate, Hinge
20	0624-250	5		Nut, Lock
21	0624-072	2		Rivet
22	0624-257	2		Screw, Cap
23	0624-228	4		Washer
24	1673-230	1		Sponson - Right
24	1673-231	1		Sponson - Left
25	0624-159	2		Washer
26	0623-655	2		Rivet
27	0624-004	2		Washer
28	0673-866	1	/P	Strike
29	0624-226	2		Screw, Cap
30	0624-394	1	/P	U-Bolt
31	1673-326	1		Stop, Steering
32	1673-083	1		Gasket, Eyehook
33	0124-065	8		Washer, Snap Cap
34	1673-313	1		Plate, Backing
35	1673-278	8	S	Cover, Snap Cap
36	1673-185	1		Handle, Grab
37	1673-180	1		Cover, Rub Rail
38	0673-656	1		Plate, Back-Up - Eyehook
39	0624-271	8		Screw, Cap
40	0673-657	1		Plate, Backing - Eyehook
41	0624-184	4		Screw, Machine
42	0624-258	2		Nut, Hex

1997 MONTE CARLO 640 (97MCA-1997)
IGNITION COIL

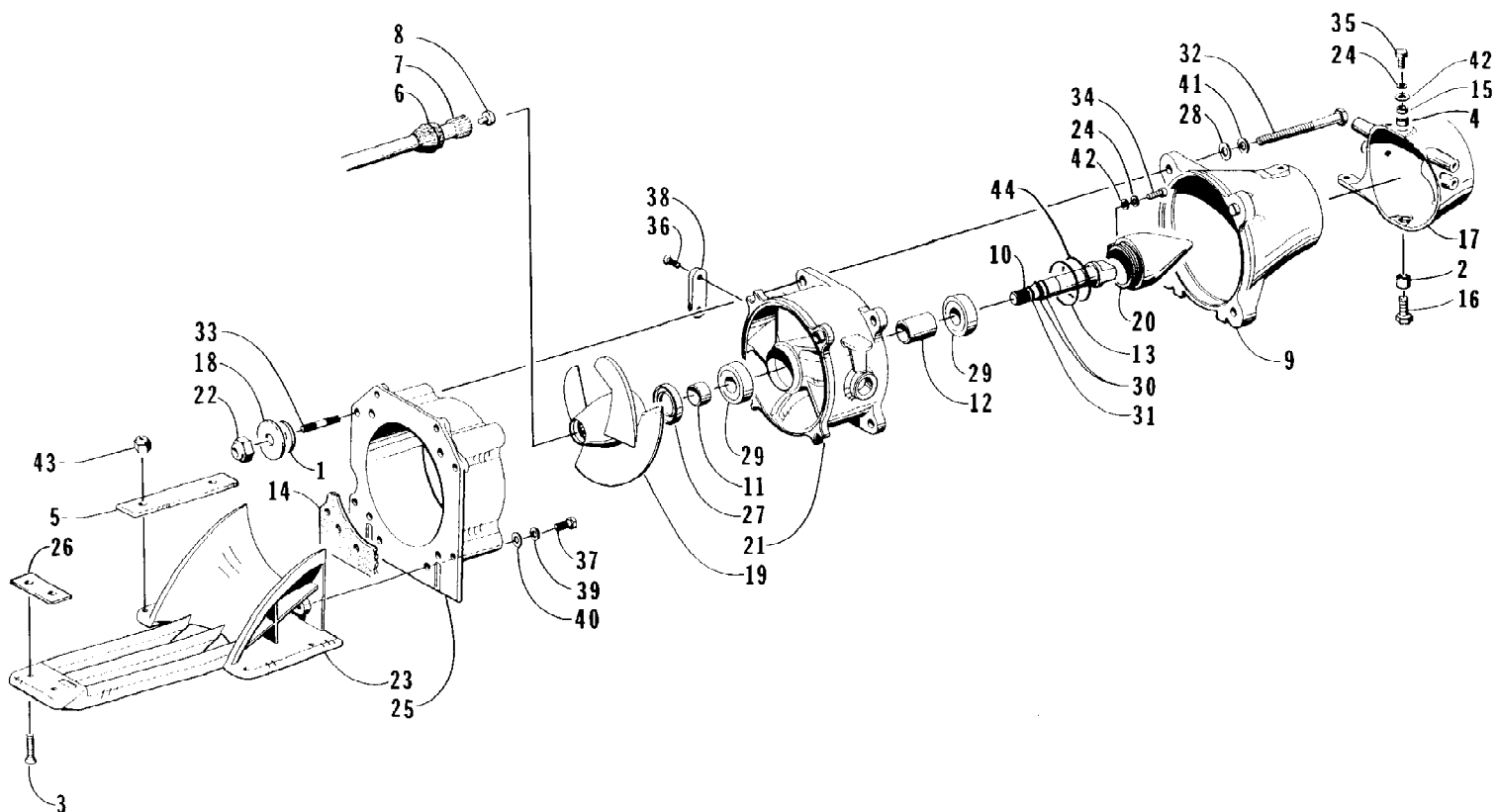


1997 MONTE CARLO 640 (97MCA-1997)
IGNITION COIL

Page 30 of 57

Ref #	Part Number	Qty	S/P/F	Description
1	3008-343	1	S	Coil Assembly, Ignition
2	3008-402	2		Screw, Cap
3	3003-787	2		Tie, Cable
4	3008-334	2	/P	Grommet
5	3008-129	2	/P	Protector, Lead Wire
6	3008-045	1		Clip
7	3003-737	2	S	Cap Assembly, Spark Plug

1997 MONTE CARLO 640 (97MCA-1997)
IMPELLER DRIVE ASSEMBLY

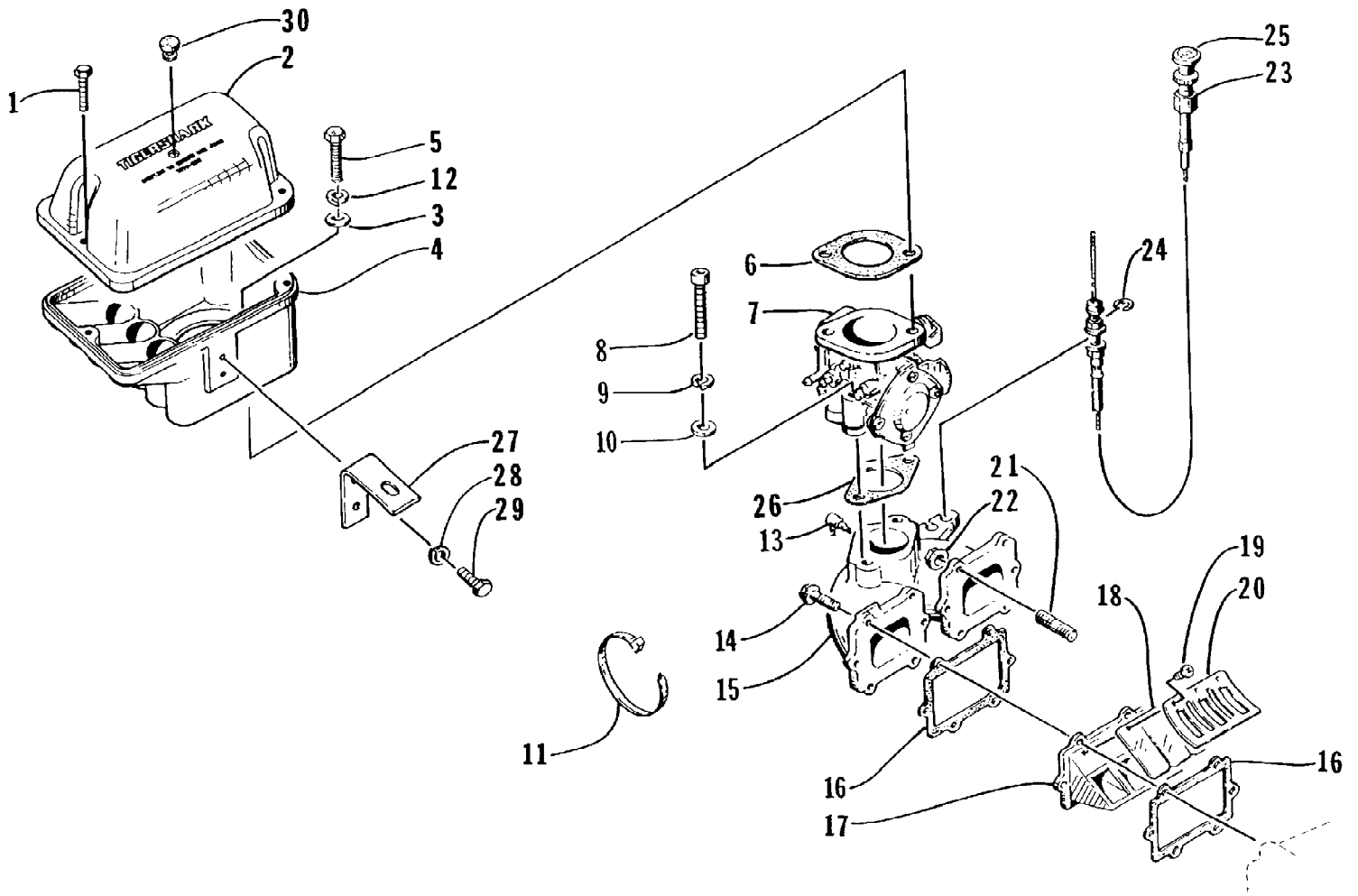


1997 MONTE CARLO 640 (97MCA-1997)
 IMPELLER DRIVE ASSEMBLY

Page 32 of 57

Ref #	Part Number	Qty	S/P/F	Description
1	0624-387	6		Washer, Sealing
2	1673-121	1	/P	Bushing
3	0624-186	6		Screw, Machine
4	1673-122	1		Bushing
5	1673-105	1		Plate, Backing
6	0675-160	1	/P	Grommet, Seal
7	0675-100	1	S	Driveshaft
8	0673-618	2	/P	Bumper, Driveshaft
9	0675-110	1		Venturi
10	0675-098	1	/P	Shaft, Rear - Impeller
11	0675-085	1		Spacer, Impeller
12	0675-084	1		Spacer, Bearing
13	0675-127	1		O-Ring
14	0675-107	1		Gasket, Pump
15	0624-398	1		Spacer
16	0624-174	1		Screw, Cap
17	0675-126	1		Nozzle, Steering
18	0624-125	6	/P	Washer
19	0675-036	1	/P	Impeller
20	0675-149	1	S	Endcap, Stator
21	0675-137	1		Stator
22	0624-090	6		Nut, Lock
23	0675-019	1	S	Grate, Inlet
24	0624-036	3		Washer, Lock
25	0775-061	1		Wear Ring (inc. 33)
26	1673-104	1		Plate, Backing
27	0675-119	1	S	Seal
28	0624-008	4		Washer
29	0673-609	2		Bearing, Stator
30	0673-608	2		O-Ring
31	0673-607	1		O-Ring
32	0624-386	4		Screw, Cap
33	0624-417	6		Stud
34	0624-314	2		Screw, Cap
35	0624-053	1	/P	Screw, Cap
36	0624-184	2		Screw, Machine
37	0624-026	2		Screw, Cap
38	0624-084	1		Anode, Zinc
39	0624-027	2		Washer, Lock
40	0624-028	2		Washer
41	0624-012	4		Washer, Lock
42	0624-022	3		Washer
43	0624-250	6		Nut, Lock
44	0675-078	1		O-Ring

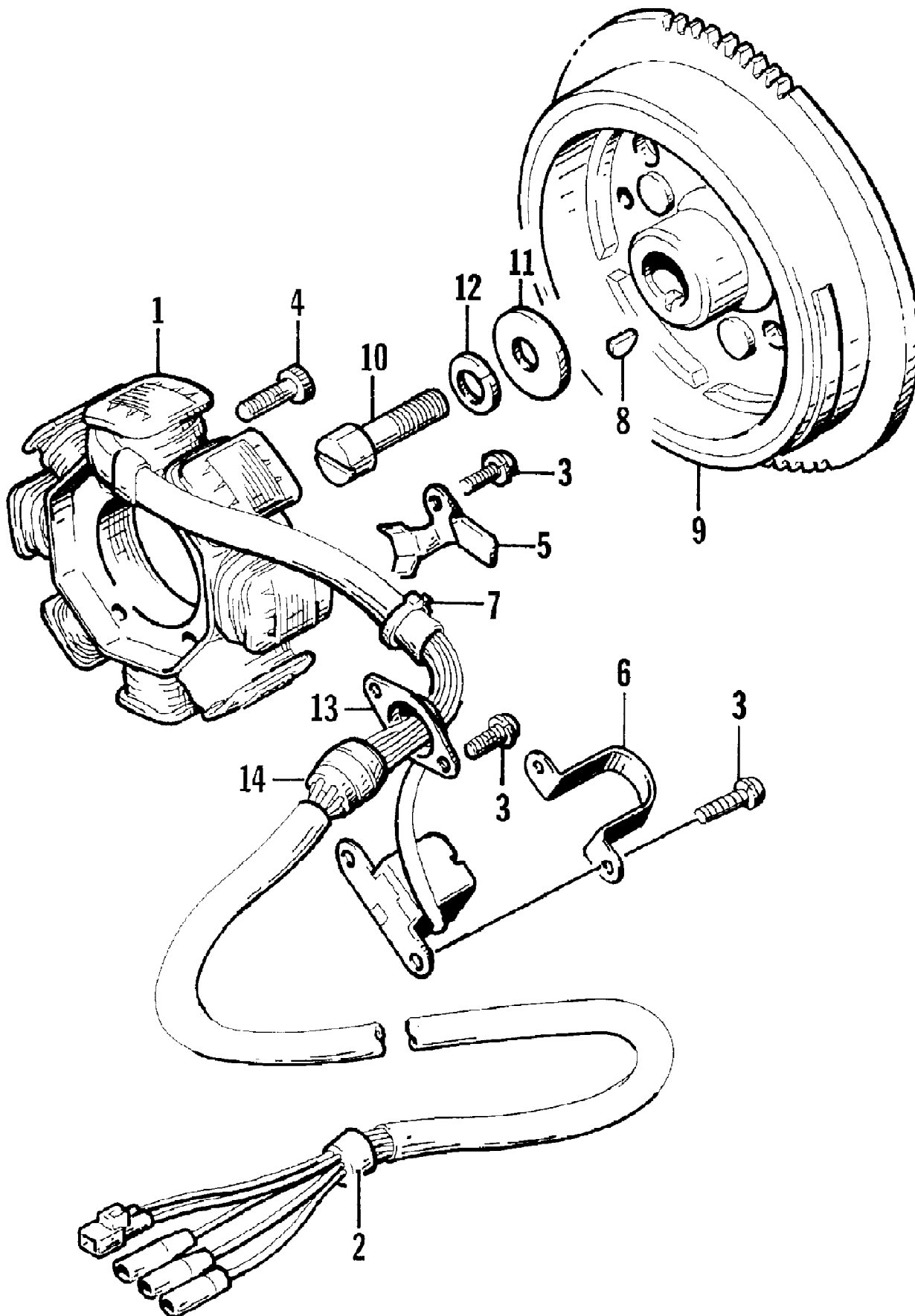
1997 MONTE CARLO 640 (97MCA-1997)
INTAKE ASSEMBLY



1997 MONTE CARLO 640 (97MCA-1997)
INTAKE ASSEMBLY

Page 34 of 57

Ref #	Part Number	Qty	S/P/F	Description
1	0624-408	3		Screw, Cap
2	1673-260	1		Cover, Sound Attenuator
3	0624-022	2		Washer
4	1673-259	1		Base, Sound Attenuator
5	0624-112	2	/P	Screw, Cap
6	1673-398	1		Gasket, Sound Attenuator
7	0670-640	1		Carburetor
8	0624-338	2	/P	Screw, Cap
9	0624-027	2		Washer, Lock
10	0624-028	2		Washer
11	0123-811	0		Tie, Cable
12	0624-036	2		Washer, Lock
13	3008-452	1		Fitting, Injection - Oil
14	3008-213	8	/P	Screw, Cap
15	0670-639	1		Manifold, Intake
16	3008-076	4	S	Gasket, Reed Valve
17	3008-073	2	S	Reed Valve Assembly (inc. 18-20)
18	3008-075	4		Valve, Reed
19	3004-506	12	/P	Screw, Cap
20	3008-074	4		Stopper, Reed Valve
21	3008-370	4	/P	Bolt, Stud
22	3008-214	4		Nut
23	0687-051	1	/P	Nut
24	0624-268	1		E-Clip
25	0687-092	1	S	Cable, Choke
26	1673-090	1		Gasket, Intake
27	1673-372	1	S	Brace, Sound Attenuator
28	0624-200	2		Washer, Lock
29	0624-155	2		Screw, Cap
30	1606-038	1		Plug

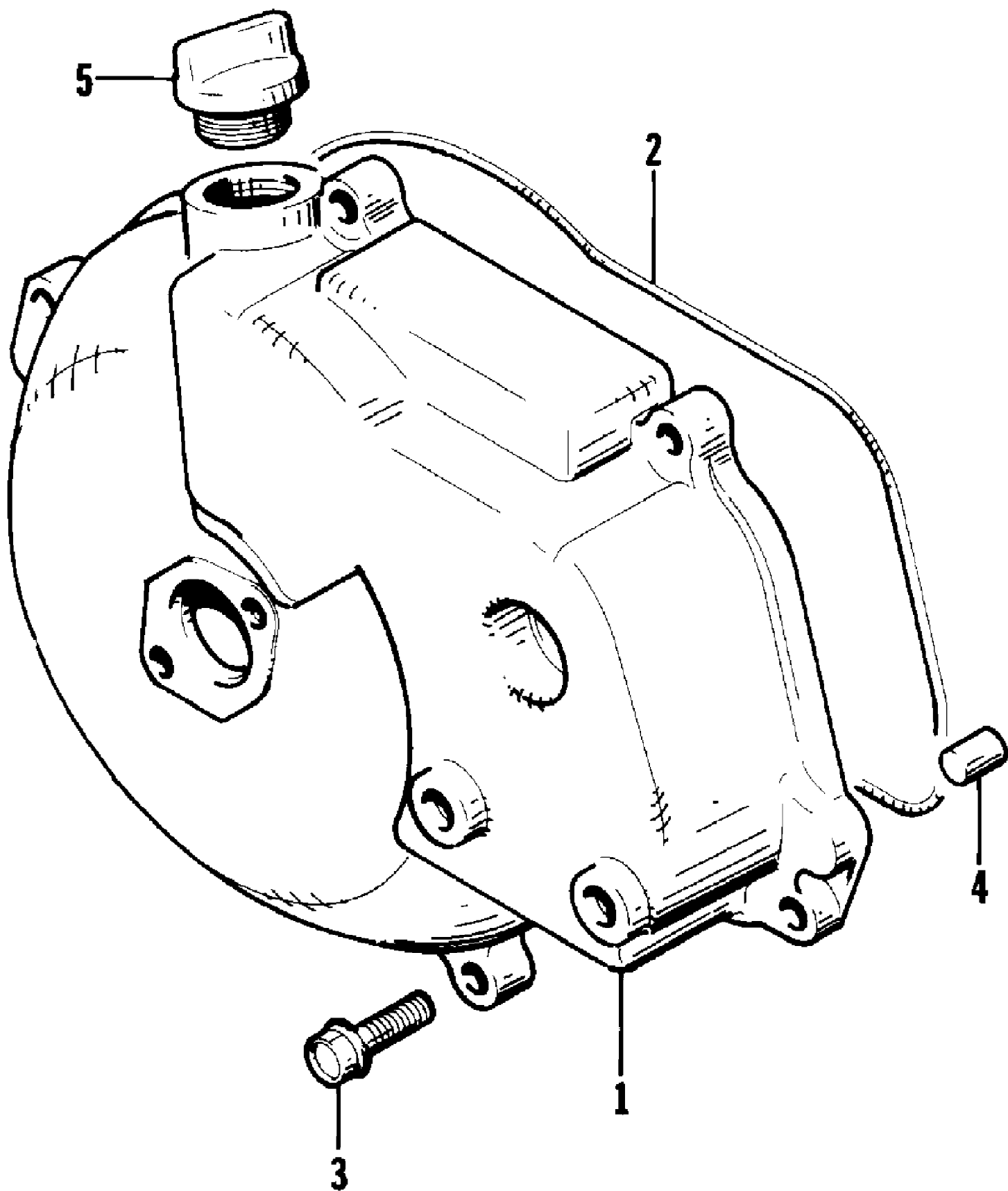


1997 MONTE CARLO 640 (97MCA-1997)
MAGNETO

Page 36 of 57

Ref #	Part Number	Qty	S/P/F	Description
1	3008-329	1	S	Stator
2	3008-362	1	/P	Grommet
3	3004-706	5	S/P	Screw, Cap
4	3004-484	3	S	Screw, Cap
5	3008-109	1		Holder
6	3008-331	1	/P	Clamp
7	3003-787	1		Clamp
8	3004-540	1	/P	Key
9	3008-108	1	S	Flywheel
10	3008-388	1	S	Screw, Cap
11	3008-017	1		Washer
12	3004-362	1	S/P	Washer, Lock
13	3008-110	1		Holder, Grommet
14	3008-118	1		Grommet

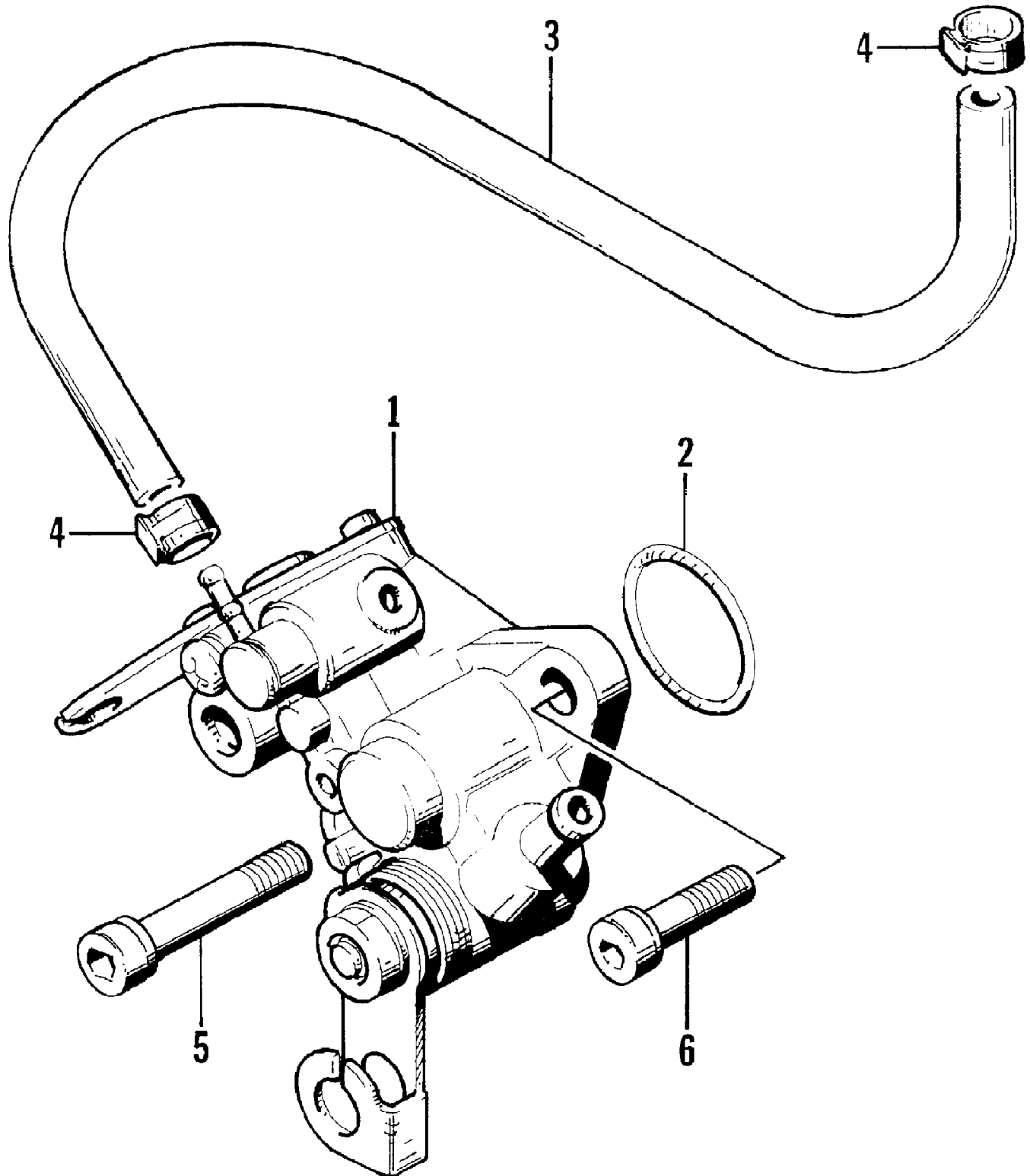
1997 MONTE CARLO 640 (97MCA-1997)
MAGNETO CASE



1997 MONTE CARLO 640 (97MCA-1997)
MAGNETO CASE

Ref #	Part Number	Qty	S/P/F	Description
1	3008-238	1	/P	Case, Magneto
2	3008-053	1		O-Ring
3	3008-213	6	/P	Screw, Cap
4	3008-146	2		Pin
5	3008-023	1		Plug

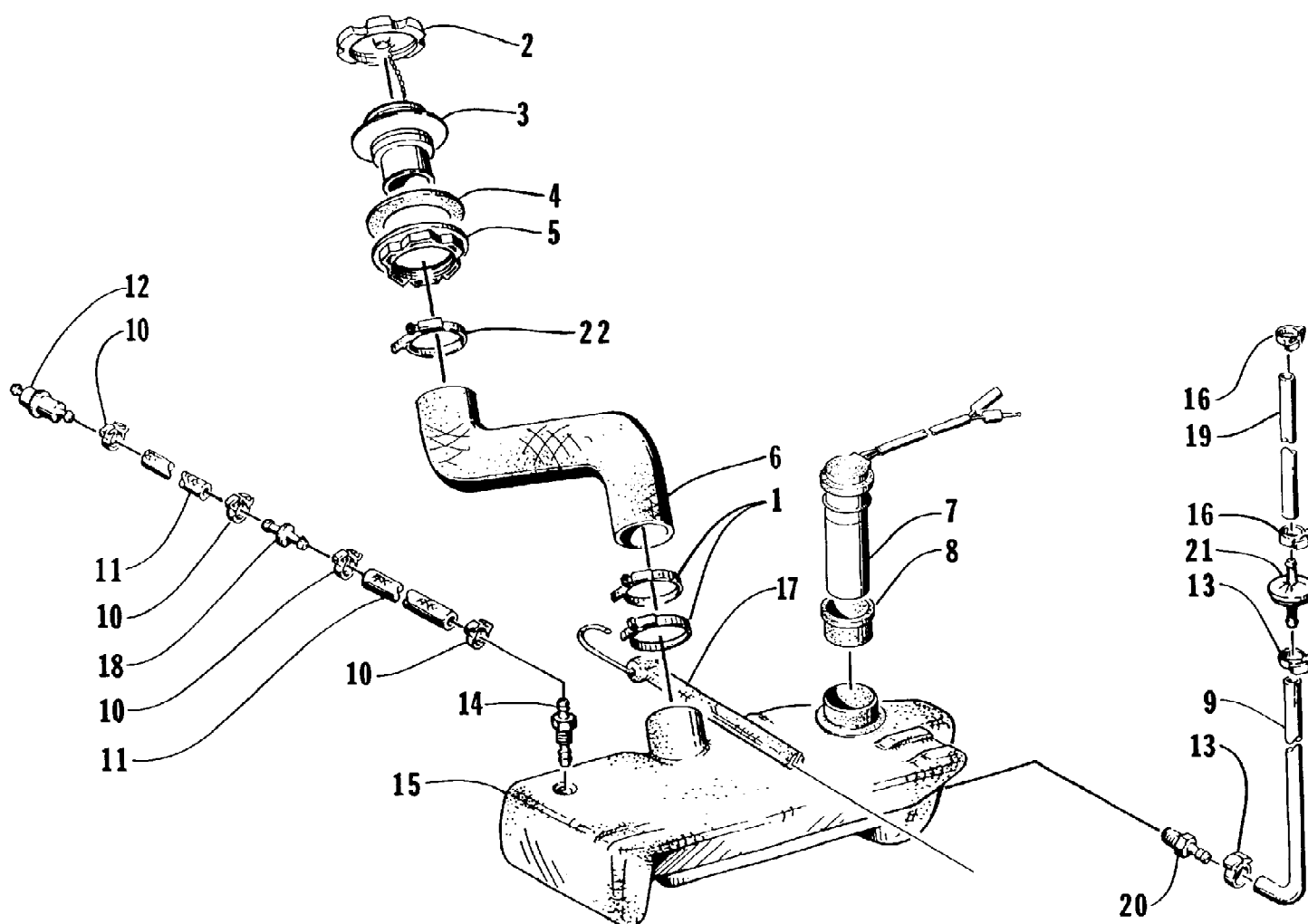
1997 MONTE CARLO 640 (97MCA-1997)
OIL PUMP



1997 MONTE CARLO 640 (97MCA-1997)
OIL PUMP

Page 40 of 57

Ref #	Part Number	Qty	S/P/F	Description
1	3008-486	1	/P	Oil Pump Assembly
2	3008-030	1		O-Ring
3	3008-035	1	/P	Hose
4	0624-291	2		Clamp
5	3008-242	1		Screw, Cap
6	3008-243	1		Screw, Cap



1997 MONTE CARLO 640 (97MCA-1997)
OIL TANK ASSEMBLY

Page 42 of 57

Ref #	Part Number	Qty	S/P/F	Description
1	0624-037	2		Clamp, Hose
2	0670-672	1	S	Cap
3	0670-545	1	S	Neck, Filler
4	0670-688	1		Seal, Filler Neck
5	0670-548	1		Nut, Filler Neck
6	0610-313	1		Hose, Filler
7	0620-181	1	S	Sensor, Oil
8	0609-237	1		Gasket, Oil Sensor
9	0610-263	0		Hose, Oil
10	0624-120	4		Clamp, Hose
11	0610-107	0		Hose
12	0510-335	1	/P	Filter, Fuel
13	0623-646	2		Clamp, Hose
14	0670-564	1		Outlet, Tank
15	0670-443	1	S	Tank, Oil
16	0623-063	2		Clamp
17	0773-819	2	S	Strap Assembly
18	0610-059	1		Valve, Check
19	0610-016	0	/P	Hose, Oil Line - 25 ft
20	0673-983	1		Fitting
21	0673-998	1		Filter, Oil
22	0624-390	1		Clamp, Hose

No
Diagram
Available

Parts List
Only

1997 MONTE CARLO 640 (97MCA-1997)
RELATED ITEMS

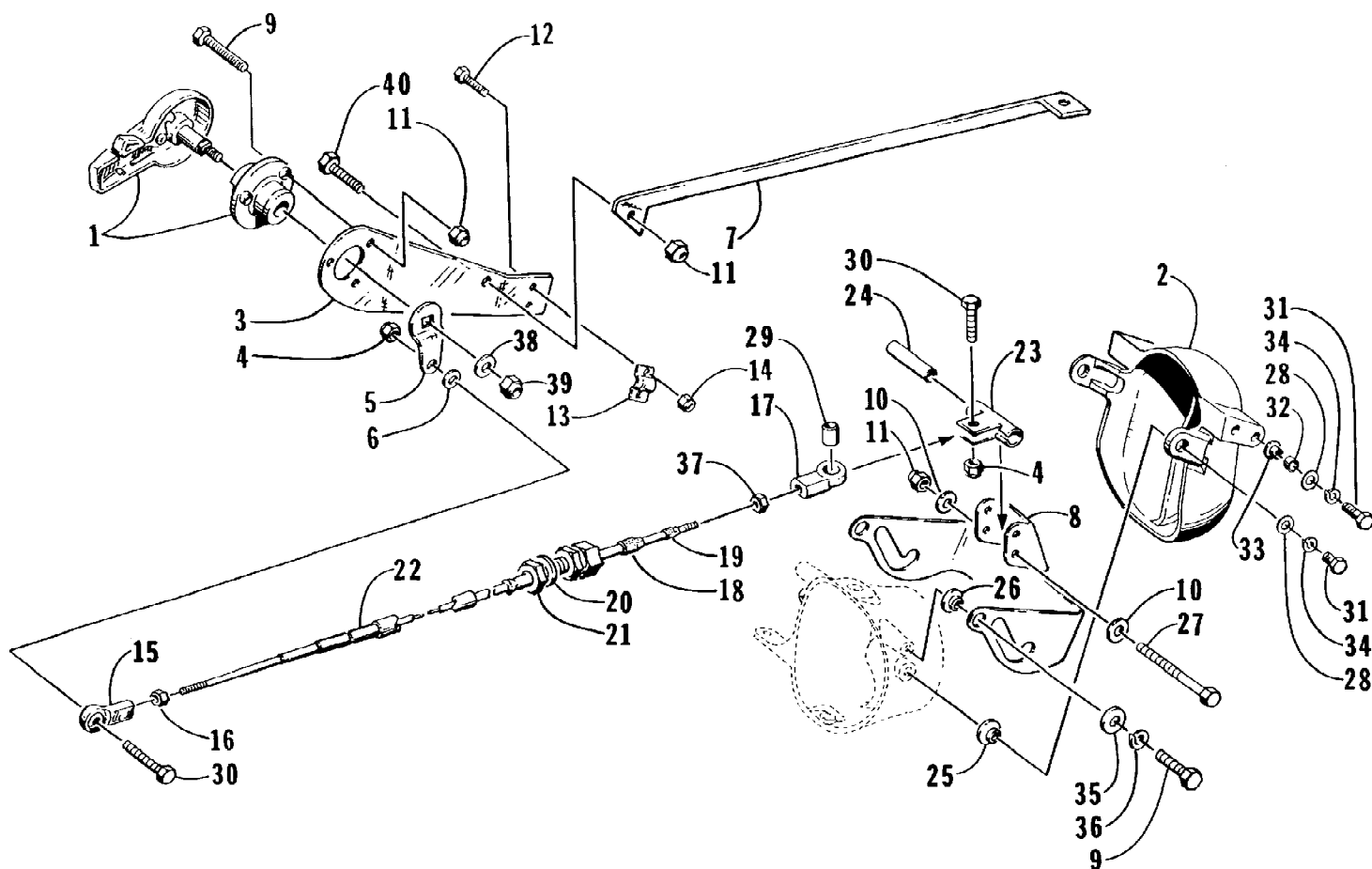
Page 44 of 57

Ref #	Part Number	Qty	S/P/F	Description
	0678-132	1	S	Anchor Bag
	0678-051	1	S	Anchor w/Float and Mooring Rope
	0678-134	1		Bag, Hatch
	0678-063	1		Battery Charger Kit
	0678-363	1	/P	Beach Dolly
	0678-370	1		Bilge Cleaner
	0678-351	1	/P	Cover, Premium
	0673-093	1	S	Fire Extinguisher
	0678-102	1		Flame Arrestor Kit
	0678-006	1	/P	Flush Kit
	0678-129	1	/P	Fold-Up Sharkstand
	0678-348	1		Grease Gun Kit
	0678-356	1		Handlebar Bag
	0678-270	1		Hatch Bag Cooler
	0678-064	1		Horn Kit
	0678-362	1		Hourmeter
	0678-269	1		Hydro-Trailer
	0678-313	1	/P	Hydroshark Tube - Teal/Purple
	0678-314	1	/P	Hydroshark Tube - Red/Purple
	0678-242	1	/P	Kneeboard
	0678-391	1		Lanyard - Purple
	0678-180	1		Lift Harness
	2255-629	1		Manual, Operator's
	2255-689	1		Manual, Service
	2255-684	1		Manual, Illustrated Parts
	0678-294	1		Mirrors - White
	0678-358	1		Mooring Rope - Black
	0678-357	1		Mooring Rope - Dark Blue
	0678-056	1	S	Mooring Rope - Lavender
	0678-052	1	/P	Mooring Rope - Purple
	0678-054	1		Mooring Rope - Red
	0678-055	1		Mooring Rope - Silver
	0678-053	1		Mooring Rope - Teal
	0678-189	1	/P	Nylon Rope - Purple
	0678-035	1		Paint, Touch-Up - White
	0678-234	1		Passenger Handles - 8 in.
	0678-295	1		Passenger Handles - 12 in.
	0678-185	1		Plug Caddy - Purple
	0678-149	1		Plug Caddy - Rivet-On
	0678-341	1		Power Trim Kit
	0678-360	1		Registration Letters - Gold/Black
	0678-355	1		Saddle Bag Cooler
	0678-354	1		Seat Pouch
	0678-224	1		Spark Plug Caps - Red
	0678-318	1		Speedometer Kit
	0678-135	1		Start/Stop Switch Lock
	0678-374	1		Stortech(tm) Plugs
	0678-317	1		Tachometer Kit
	0678-045	1	/P	Tie Stake
	0678-026	1		Tigershark Cleaner
	0678-025	1		Tigershark Wax
	0678-105	1		Tool Kit
	0678-243	1		Wax Board

1997 MONTE CARLO 640 (97MCA-1997)
RELATED ITEMS

Ref #	Part Number	Qty	S/P/F	Description
	0678-303	1		Waterproof Storage Case

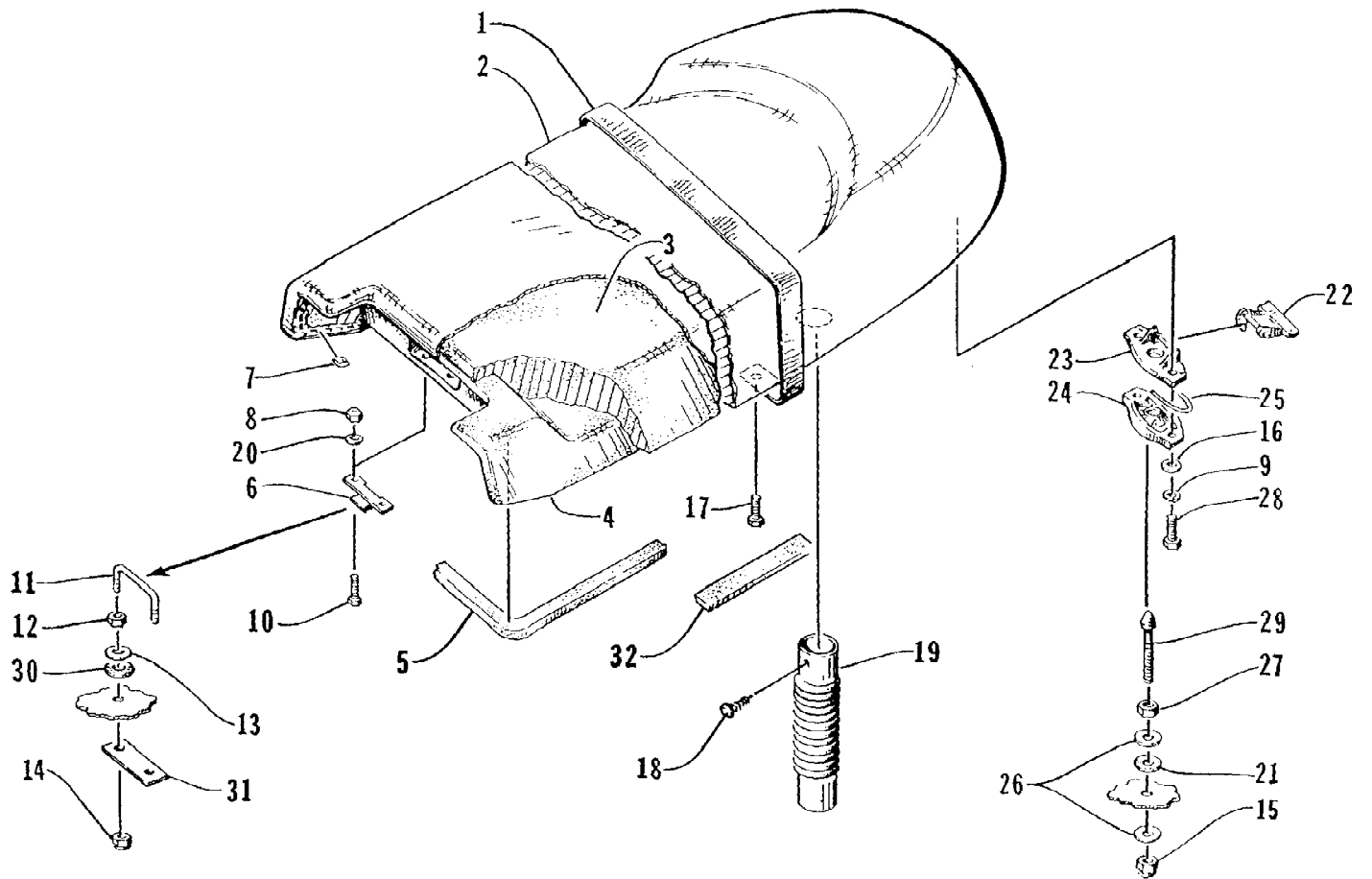
1997 MONTE CARLO 640 (97MCA-1997)
REVERSE DEFLECTOR AND LEVER ASSEMBLY



1997 MONTE CARLO 640 (97MCA-1997)
REVERSE DEFLECTOR AND LEVER ASSEMBLY

Page 47 of 57

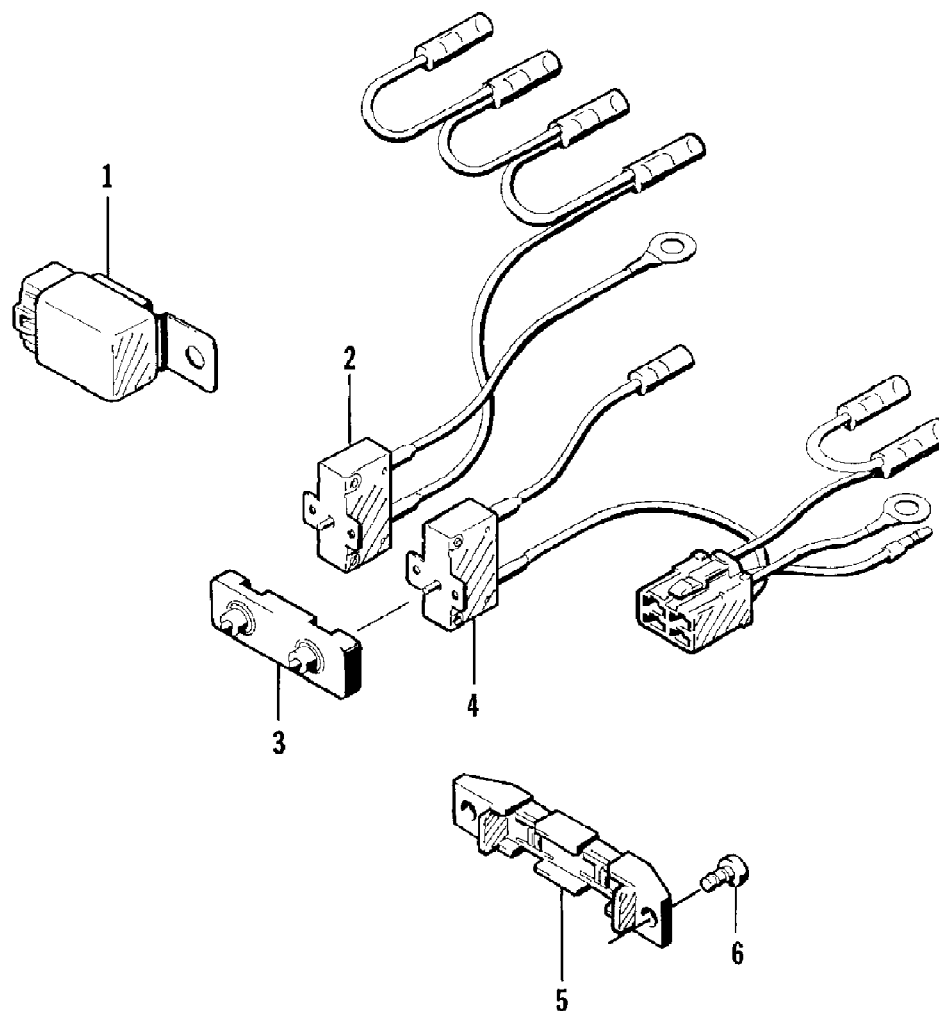
Ref #	Part Number	Qty	S/P/F	Description
1	0673-970	1		Lever, Reverse - Assembly
2	1673-262	1	/P	Deflector, Reverse
3	1673-142	1		Mount, Reverse Lever
4	0624-089	2		Nut, Lock
5	1673-264	1		Arm, Reverse Lever
6	0624-115	1		Washer
7	0673-701	1		Bracket, Reverse Cable Support
8	1673-263	1		Plate, Cam Locking
9	0624-053	2	/P	Screw, Cap
10	0624-022	2		Washer
11	0624-250	5		Nut, Lock
12	0624-155	2		Screw, Cap
13	0673-556	1		Clamp, Reverse Cable
14	0624-005	2	/P	Nut, Lock
15	0673-931	1		Rod End
16	0624-107	1		Nut
17	1673-261	1		Rod End
18	0612-364	1		Seal
19	0612-363	1		Seal
20	1673-193	1		Gasket
21	0623-669	1		Nut
22	1673-217	1		Cable, Reverse
23	1673-152	1		Pivot, Universal
24	1673-156	1		Spacer
25	0624-405	2		Bushing
26	0624-404	2		Bushing
27	0624-213	1		Screw, Cap
28	0624-028	4		Washer
29	0624-395	1		Spacer
30	0624-289	2		Screw, Cap
31	0624-026	2		Screw, Cap
32	1673-318	2		Roller, Reverse
33	1673-317	2		Bushing, Reverse
34	0624-027	4		Washer, Lock
35	0624-182	2		Washer
36	0624-036	2		Washer, Lock
37	0624-279	1		Nut
38	0624-008	1		Washer, Lock
39	0624-407	1		Nut
40	0624-053	1	/P	Screw, Cap



1997 MONTE CARLO 640 (97MCA-1997)
SEAT ASSEMBLY

Page 49 of 57

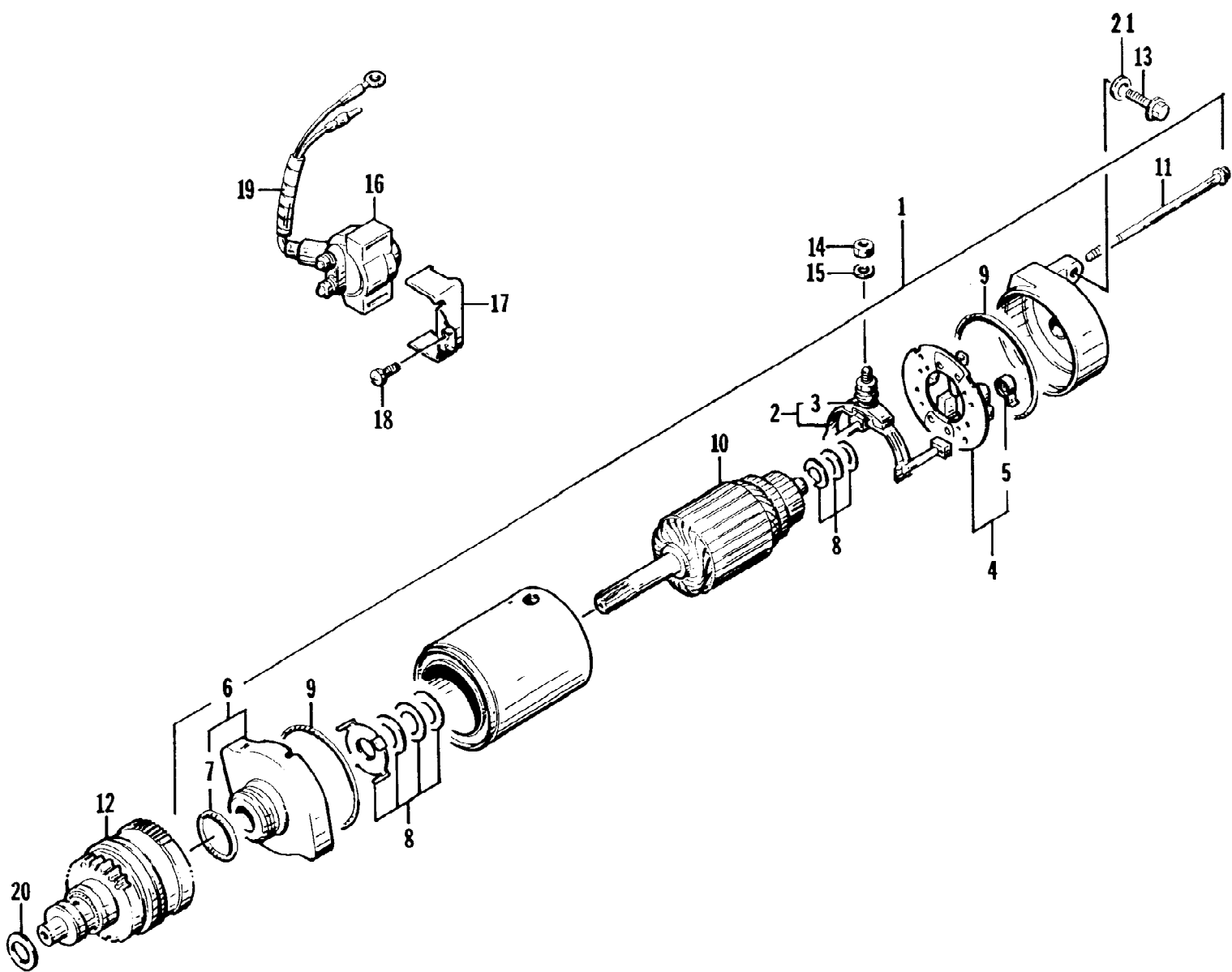
Ref #	Part Number	Qty	S/P/F	Description
	0773-813	1		Complete Seat Assembly
1	0773-722	2		Strap, Seat
2	0773-812	1		Cover, Seat w/Silkscreen
3	0773-721	1		Foam, Seat
4	0773-811	1		Base, Seat
5	0773-833	0		Seal, Seat Base
6	0673-668	1		Catch, Seat
7	0624-263	0		Staple
8	0624-250	2		Nut, Lock
9	0624-115	2	F	Washer, Lock
10	0624-112	2	/P/F	Screw, Cap
11	0624-262	1	F	U-Bolt, Seat
12	0624-061	2	F	Nut
13	0624-125	2	/P/F	Washer
14	0624-090	2	F	Nut, Lock
15	0624-009	1	F	Nut, Lock
16	0624-247	2		Washer
17	0624-226	4		Screw, Cap
18	0623-585	3	F	Clip, Retaining
19	0610-242	1	F	Air Tube, Exhaust
20	0624-182	2		Washer
21	0623-391	1		Washer, Rubber
22	0673-026	1	F	Lever, Release - Seat Latch
23	0673-024	1	S/F	Cover, Latch - Seat
24	0673-025	1	F	Back, Latch - Seat
25	0673-023	1	F	Clip, Retaining
26	0624-159	2	F	Washer
27	0624-047	1	F	Nut
28	0624-290	2	F	Screw, Cap
29	1673-108	1	S	Stud, Latch - Seat
30	0624-126	2	F	Washer, Rubber
31	0673-752	1		Plate, Backing
32	0617-195	4		Pad, Foam



1997 MONTE CARLO 640 (97MCA-1997)
SENSOR ASSEMBLY

Page 51 of 57

Ref #	Part Number	Qty	S/P/F	Description
1	3008-297	1	/P	Relay - Assembly
2	3008-348	1	S	Protector, Circuit Charge
3	3008-351	1		Cap, Circuit Protector
4	3008-350	1	/P	Protector, Circuit Load
5	3008-294	1	/P	Holder, Circuit Protector
6	3008-313	2		Screw, Cap

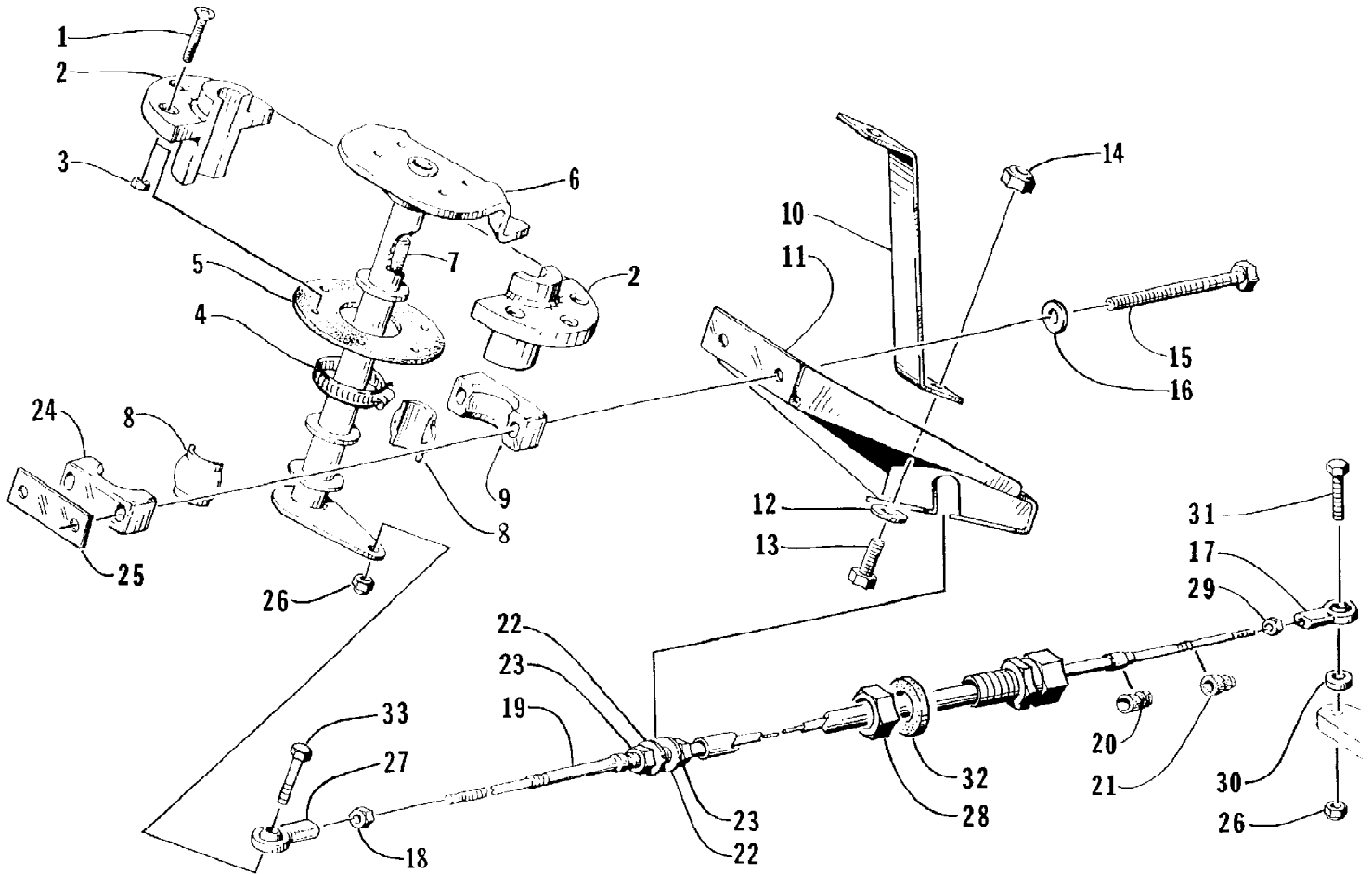


1997 MONTE CARLO 640 (97MCA-1997)
STARTER MOTOR

Page 53 of 57

Ref #	Part Number	Qty	S/P/F	Description
1	3008-327	1	S	Starter Motor Assembly (inc. 2-11)
2	3008-094	1	/P	Terminal Set, Brush (inc. 3)
3	3008-164	1		O-Ring
4	3008-095	1	/P	Holder Set, Brush (inc. 5)
5	3008-096	4		Spring, Brush
6	3008-328	1	/P	Front Bracket Assembly (inc. 7)
7	3008-363	1	/P	O-Ring
8	3008-099	2		Washer Set
9	3008-101	2	S	O-Ring
10	3008-103	1		Armature
11	3008-102	2		Screw, Cap
12	3008-104	1	S	Pinion Assembly
13	3008-476	2		Screw, Cap
14	3008-014	1		Nut
15	3008-020	1		Washer
16	3008-165	1	/P	Relay
17	3008-140	1		Bracket
18	3008-313	2		Screw, Cap
19	3008-487	1		Tube
20	3008-480	1	/P	Washer
21	3008-420	2	/P	Washer

1997 MONTE CARLO 640 (97MCA-1997)
STEERING POST ASSEMBLY

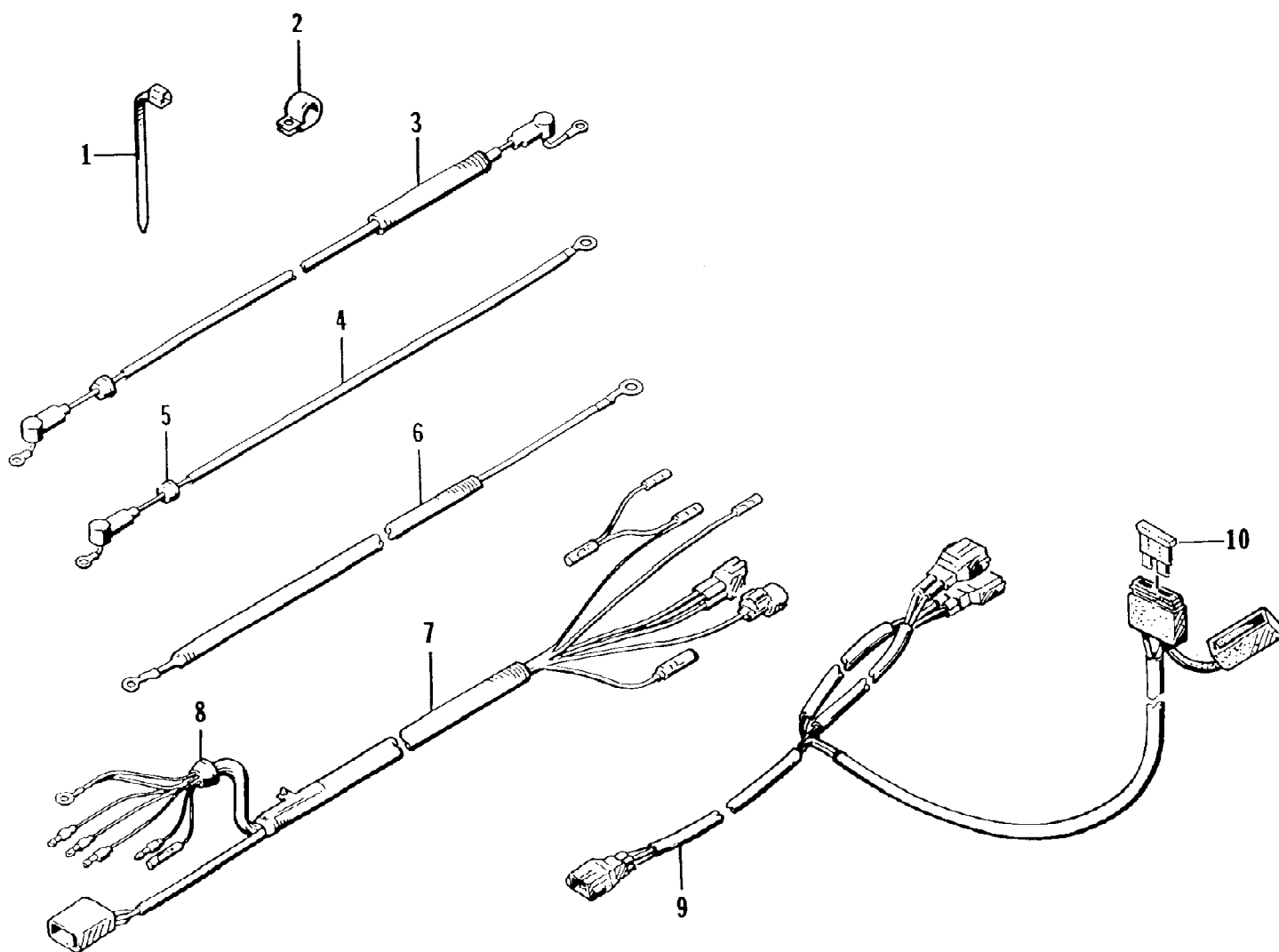


1997 MONTE CARLO 640 (97MCA-1997)
STEERING POST ASSEMBLY

Page 55 of 57

Ref #	Part Number	Qty	S/P/F	Description
1	0624-186	6		Screw, Machine
2	0673-122	2		Bearing, Half - Steering Post
3	0624-250	6		Nut, Lock
4	0624-038	2		Clamp
5	0673-056	1		Seal, Bearing
6	0773-096	1	/P	Post, Steering
7	0717-052	0	/P	Foam, Neoprene Tape
8	0605-149	2		Bearing, Steering Post
9	0605-171	1		Housing, Bearing
10	0673-457	1		Bracket, Support
11	0773-629	1		Bracket, Steering Cable
12	0624-125	1	/P	Washer
13	0624-229	1		Screw, Cap
14	0624-090	1		Nut, Lock
15	0624-192	2		Screw, Cap
16	0624-125	2	/P	Washer
17	0673-932	1		End, Steering Cable
18	0624-107	1		Nut
19	0673-856	1		Cable, Steering
20	0612-363	1		Seal, Rod
21	0612-364	1		Cover, Thread Cap - Steering Cable
22	0624-106	2		Washer
23	0624-105	2		Nut
24	0705-064	1	/P	Housing, Bearing
25	0673-366	1		Spacer, Bearing Housing
26	0624-089	2		Nut, Lock
27	0673-931	1		End, Steering Cable
28	0623-669	1		Nut
29	0624-279	1		Nut
30	0624-381	1		Spacer
31	0624-290	1		Screw, Cap
32	1673-193	1		Gasket, Cable - Foam
33	0624-289	1		Screw, Cap

1997 MONTE CARLO 640 (97MCA-1997)
WIRING HARNESS



1997 MONTE CARLO 640 (97MCA-1997)
WIRING HARNESS

Page 57 of 57

Ref #	Part Number	Qty	S/P/F	Description
1	3008-044	3		Tie, Cable
2	3008-357	2		Clamp
3	3008-346	1		Cable
4	3008-345	1	/P	Cable
5	3008-334	1	/P	Grommet
6	3008-154	1		Cable, Ground
7	3008-347	1		Harness, Wiring
8	3008-362	1	/P	Grommet
9	0686-428	1		Harness, Bilge and Fuel
10	0630-056	1		Fuse, 3 AMP