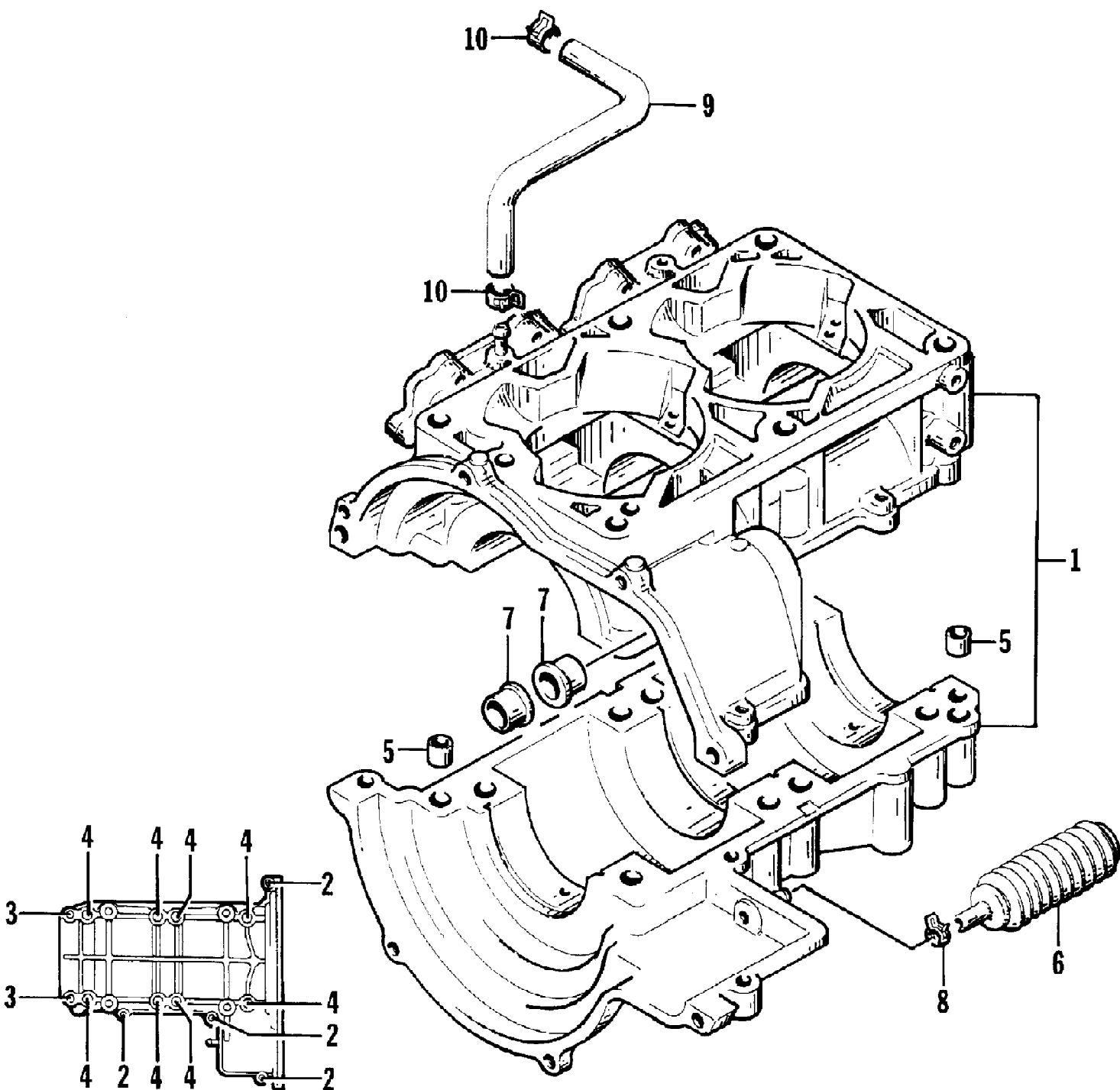


1997 DAYTONA 700 (97DTA-1997)  
BILGE PUMP ASSEMBLY

Page 2 of 60

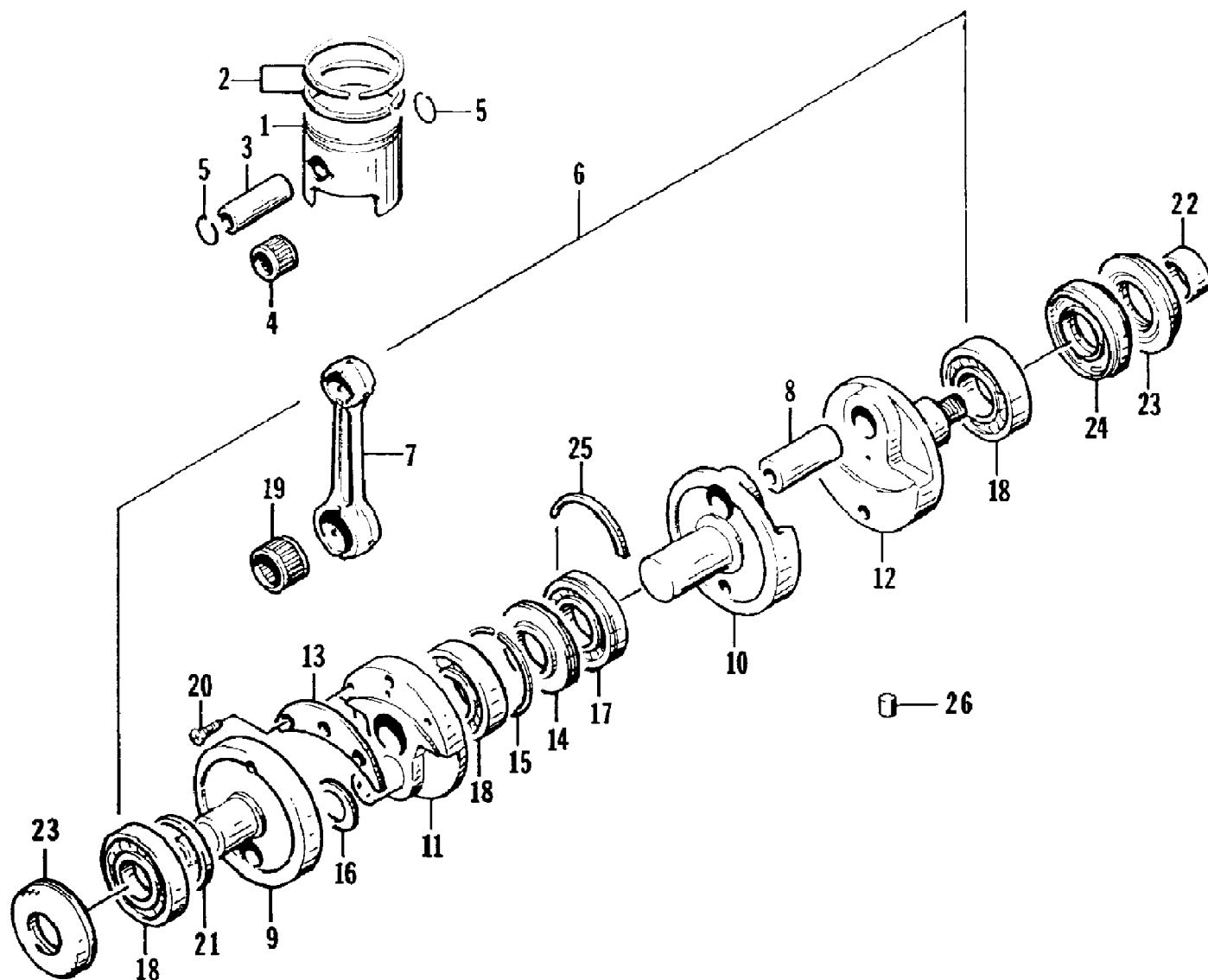
| Ref # | Part Number | Qty | S/P/F | Description             |
|-------|-------------|-----|-------|-------------------------|
| 1     | 0673-377    | 1   |       | Fitting, Outlet - Bilge |
| 2     | 0612-456    | 2   |       | Seal, Fitting           |
| 3     | 0673-378    | 2   | S     | Nut, Fitting            |
| 4     | 0624-018    | 2   |       | Clamp, Hose             |
| 5     | 0710-201    | 1   |       | Hose, Bilge             |
| 6     | 0673-404    | 1   |       | Plug, Drain             |
| 7     | 1673-331    | 1   | S     | Pump, Bilge             |
| 8     | 0624-037    | 1   |       | Clamp                   |
| 9     | 1673-337    | 1   |       | Mount, Bilge Pump       |
| 10    | 0673-459    | 1   |       | O-Ring                  |
| 11    | 0624-250    | 1   |       | Nut, Lock               |
| 12    | 0673-278    | 1   |       | Retainer, Drain Plug    |



1997 DAYTONA 700 (97DTA-1997)  
CRANKCASE ASSEMBLY

Page 4 of 60

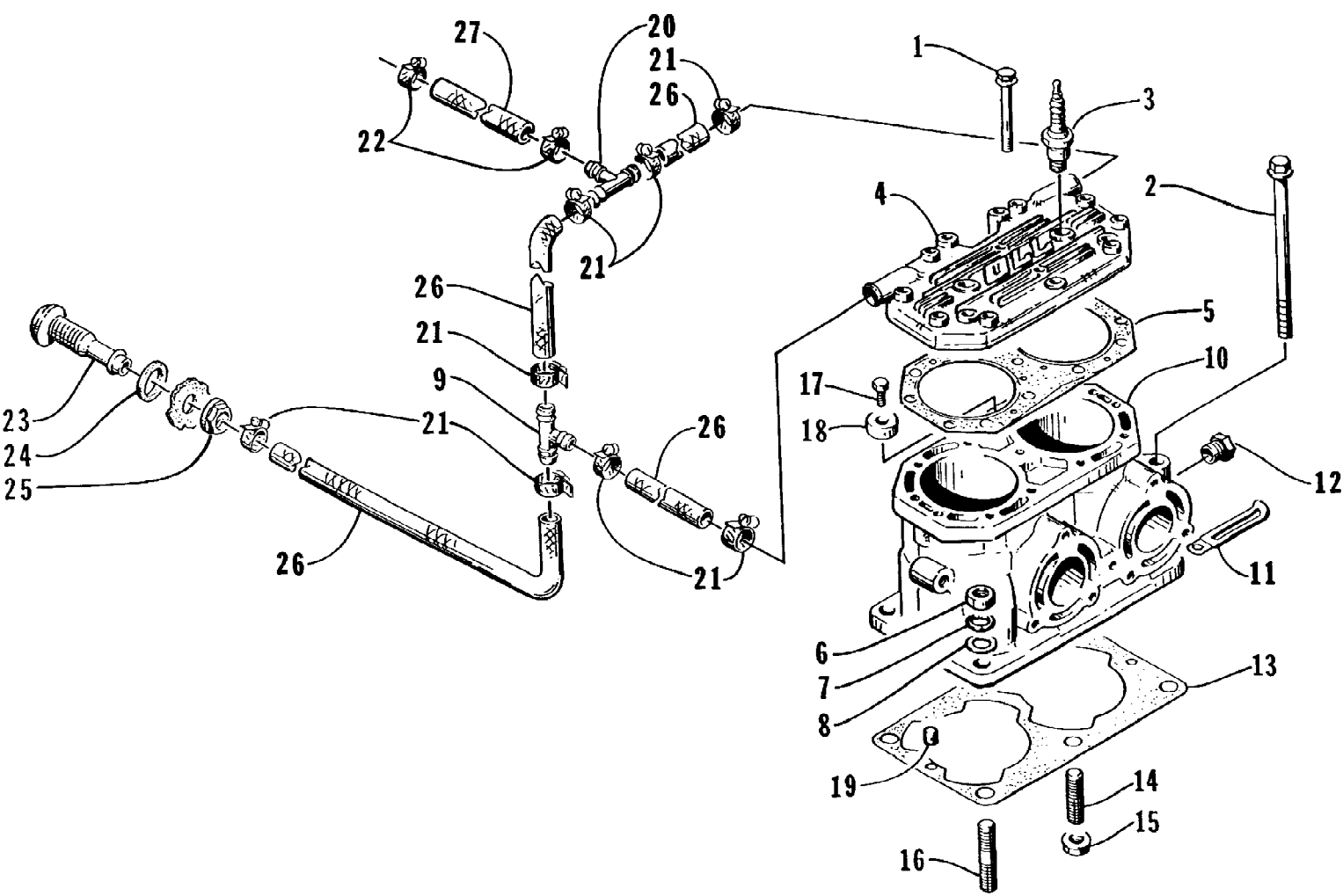
| Ref # | Part Number | Qty | S/P/F | Description                   |
|-------|-------------|-----|-------|-------------------------------|
| 1     | 3008-426    | 1   | /P    | Crankcase Assembly (inc. 2-5) |
| 2     | 3008-210    | 4   | /P    | Screw, Cap                    |
| 3     | 3008-211    | 2   | S     | Screw, Cap                    |
| 4     | 3008-212    | 8   | /P    | Screw, Cap                    |
| 5     | 3008-199    | 2   | /P    | Pin                           |
| 6     | 3008-100    | 1   |       | Bladder, Magneto Case         |
| 7     | 3008-105    | 2   |       | Bushing, Pinion Shaft         |
| 8     | 3008-038    | 1   |       | Clamp                         |
| 9     | 3008-200    | 1   | /P    | Hose, Vacuum                  |
| 10    | 3008-039    | 2   |       | Clamp, Hose                   |



1997 DAYTONA 700 (97DTA-1997)  
CRANKSHAFT

Page 6 of 60

| Ref # | Part Number | Qty | S/P/F | Description                      |
|-------|-------------|-----|-------|----------------------------------|
| 1     | 3008-412    | 2   | S     | Piston, Standard                 |
| 1     | 3008-414    | 2   |       | Piston, Optional (+ 0.010 in.)   |
| 1     | 3008-416    | 2   |       | Piston, Optional (+ 0.020 in.)   |
| 2     | 3008-413    | 2   |       | Ring Set, Standard               |
| 2     | 3008-415    | 2   |       | Ring Set, Optional (+ 0.010 in.) |
| 2     | 3008-417    | 2   |       | Ring Set, Optional (+ 0.020 in.) |
| 3     | 3008-482    | 2   | /P    | Pin                              |
| 4     | 3003-433    | 2   | /P    | Bearing                          |
| 5     | 3003-439    | 4   | /P    | Ring, Snap                       |
| 6     | 3008-428    | 1   |       | Crankshaft Assembly (inc. 7-21)  |
| 7     | 3008-427    | 2   |       | Connecting Rod                   |
| 8     | 3008-429    | 1   | /P    | Crank Pin                        |
| 9     | 3008-430    | 1   |       | Crankshaft, Right                |
| 10    | 3008-431    | 1   |       | Crankshaft, Center               |
| 11    | 3008-432    | 1   |       | Wheel                            |
| 12    | 3008-433    | 1   |       | Crankshaft, Left                 |
| 13    | 3008-069    | 1   |       | Balancer                         |
| 14    | 3003-606    | 1   |       | Race, Center                     |
| 15    | 3003-453    | 1   |       | Ring, Center                     |
| 16    | 3008-019    | 1   |       | Washer                           |
| 17    | 3008-421    | 1   | /P    | Bearing                          |
| 18    | 3008-422    | 3   | S     | Bearing                          |
| 19    | 3008-423    | 2   |       | Bearing                          |
| 20    | 3004-372    | 3   | S     | Screw, Machine                   |
| 21    | 3008-495    | 1   | /P    | Washer                           |
| 22    | 3008-072    | 1   |       | Spacer, Crankshaft               |
| 23    | 3003-367    | 2   |       | Seal, Oil                        |
| 24    | 3002-355    | 1   |       | Seal, Oil - Center               |
| 25    | 3003-359    | 1   |       | C-Ring                           |
| 26    | 3003-658    | 4   | /P    | Pin                              |

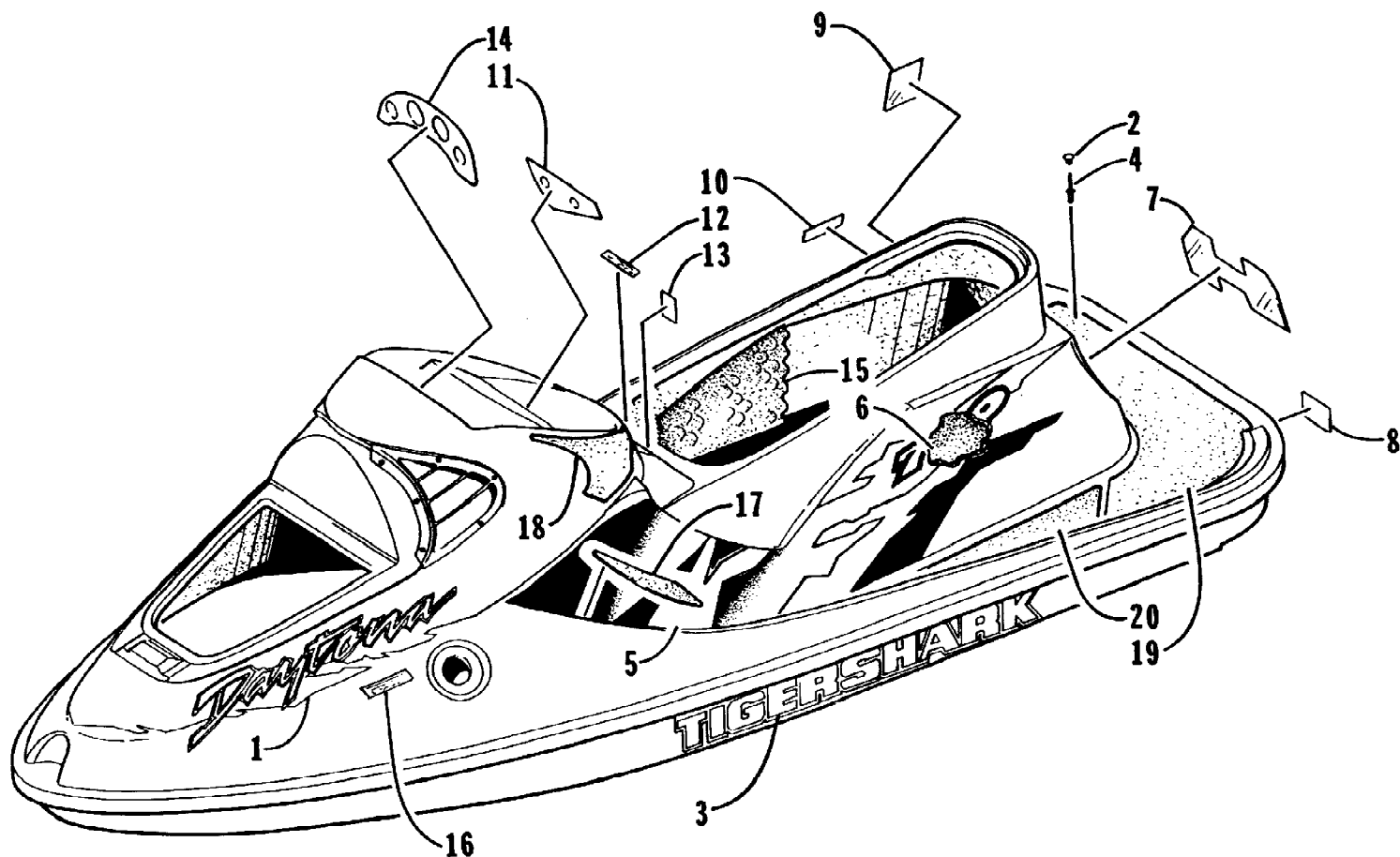


1997 DAYTONA 700 (97DTA-1997)  
CYLINDER ASSEMBLY

Page 8 of 60

| Ref # | Part Number | Qty | S/P/F | Description           |
|-------|-------------|-----|-------|-----------------------|
| 1     | 3008-381    | 10  |       | Screw, Cap            |
| 2     | 3008-459    | 1   | /P    | Screw, Cap            |
| 3     | 0217-709    | 2   |       | Spark Plug (BR9EYA)   |
| 4     | 3008-531    | 1   | /P    | Head, Cylinder        |
| 5     | 3008-496    | 1   | S     | Gasket, Cylinder Head |
| 6     | 3008-209    | 5   | /P    | Nut                   |
| 7     | 3008-207    | 5   | /P    | Washer, Lock          |
| 8     | 3008-237    | 5   | S     | Washer                |
| 9     | 0673-483    | 1   |       | T-Connection          |
| 10    | 3008-425    | 1   | /P    | Cylinder              |
| 11    | 3008-358    | 2   | /P    | Clamp                 |
| 12    | 1673-190    | 1   |       | Plug                  |
| 13    | 3008-411    | 1   |       | Gasket, Cylinder      |
| 14    | 3008-394    | 1   | /P    | Stud                  |
| 15    | 3008-208    | 1   |       | Nut                   |
| 16    | 3008-300    | 5   |       | Stud                  |
| 17    | 3008-013    | 1   |       | Screw, Cap            |
| 18    | 3008-047    | 1   |       | Zinc, Anode (inc. 17) |
| 19    | 3008-146    | 2   |       | Pin                   |
| 20    | 1673-382    | 1   |       | T-Connection          |
| 21    | 0624-018    | 8   |       | Clamp, Hose           |
| 22    | 0624-016    | 2   |       | Clamp                 |
| 23    | 0673-377    | 1   |       | Outlet, Water         |
| 24    | 0612-456    | 1   |       | Seal, Outlet          |
| 25    | 0673-378    | 1   | S     | Nut, Outlet           |
| 26    | 0710-191    | 0   |       | Hose, Water           |
| 27    | 0610-268    | 0   |       | Hose, Water           |



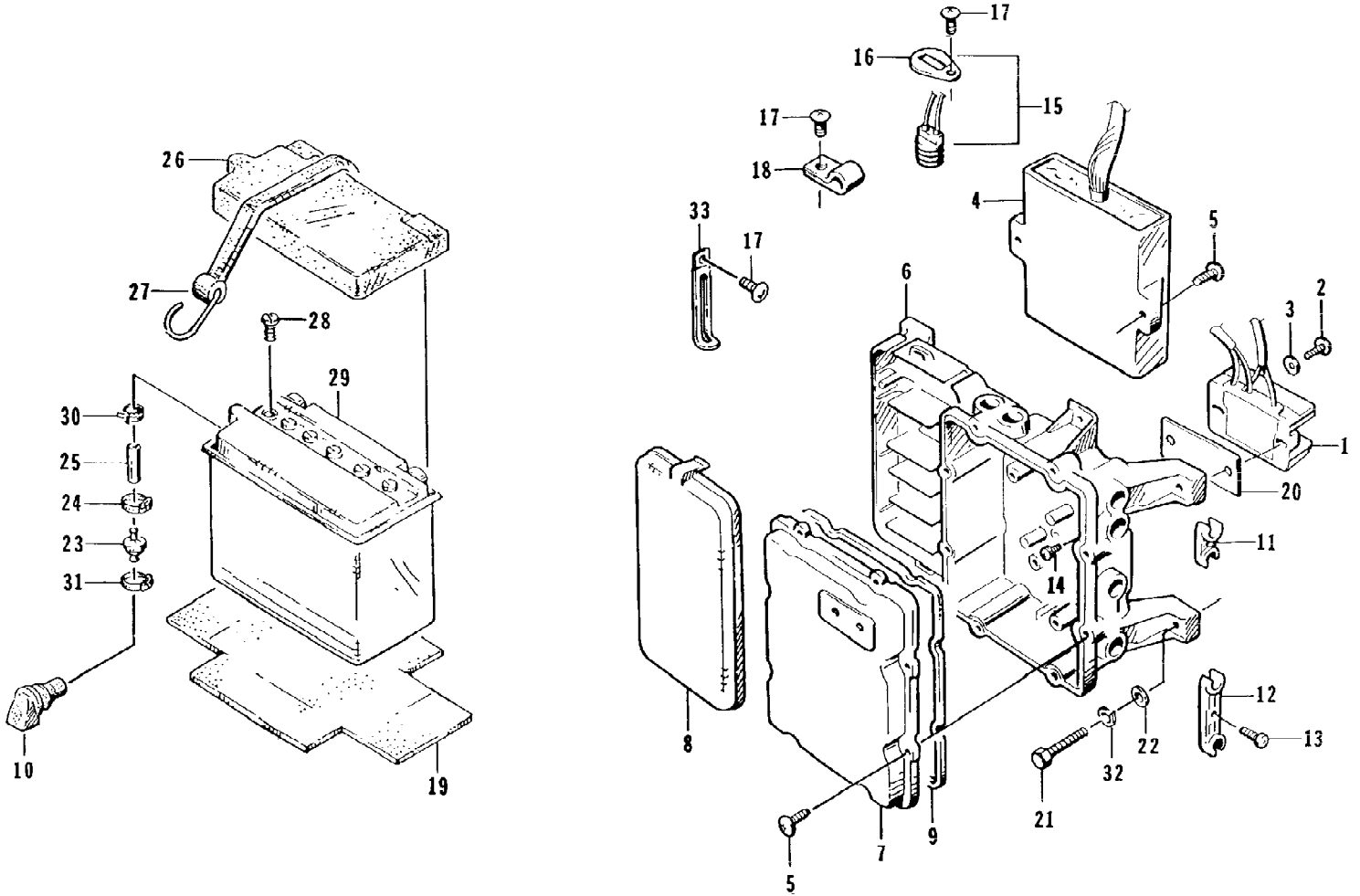


1997 DAYTONA 700 (97DTA-1997)  
DECAL AND FOOTPAD ASSEMBLY

Page 10 of 60

| Ref # | Part Number | Qty | S/P/F | Description                        |
|-------|-------------|-----|-------|------------------------------------|
| 1     | 0614-306    | 1   |       | Decal, Deck - Right                |
| 1     | 0614-307    | 1   |       | Decal, Deck - Left                 |
| 2     | 1673-111    | 72  |       | Plug, Mushroom                     |
| 3     | 0614-346    | 1   |       | Decal, Hull - "Tigershark" - Right |
| 3     | 0614-347    | 1   |       | Decal, Hull - "Tigershark" - Left  |
| 4     | 8060-230    | 72  |       | Rivet                              |
| 5     | 0614-304    | 1   |       | Decal, Side - Right                |
| 5     | 0614-305    | 1   |       | Decal, Side - Left                 |
| 6     | 0617-259    | 1   |       | Foam, Deck - Left                  |
| 7     | 0614-350    | 1   |       | Decal, Regulation                  |
| 8     | 0614-154    | 1   |       | Decal, Caution - Uprighting        |
| 9     | 0614-066    | 1   |       | Decal, USCG Exemption              |
| 10    | 0614-059    | 1   |       | Decal, Common Sense                |
| 11    | 0614-308    | 1   |       | Decal, Console                     |
| 12    | 0614-300    | 1   |       | Decal, Oil Filler                  |
| 13    | 1611-866    | 1   |       | Decal, Warning - Gas Vapors        |
| 14    | 0614-309    | 1   |       | Decal, Instrument Panel            |
| 15    | 0617-258    | 1   |       | Foam, Deck - Right                 |
| 16    | 0614-299    | 1   |       | Decal, Warning Fuel                |
| 17    | 0773-847    | 1   |       | Pad, Foot - Assembly               |
| 17    | 1673-246    | 1   |       | Pad, Foot - Front Right            |
| 17    | 1673-247    | 1   |       | Pad, Foot - Front Left             |
| 18    | 1673-292    | 1   |       | Pad, Knee - Right                  |
| 18    | 1673-293    | 1   |       | Pad, Knee - Left                   |
| 19    | 1673-248    | 1   |       | Pad, Foot - Rear                   |
| 20    | 1673-244    | 1   |       | Pad, Foot - Right                  |
| 20    | 1673-245    | 1   |       | Pad, Foot - Left                   |

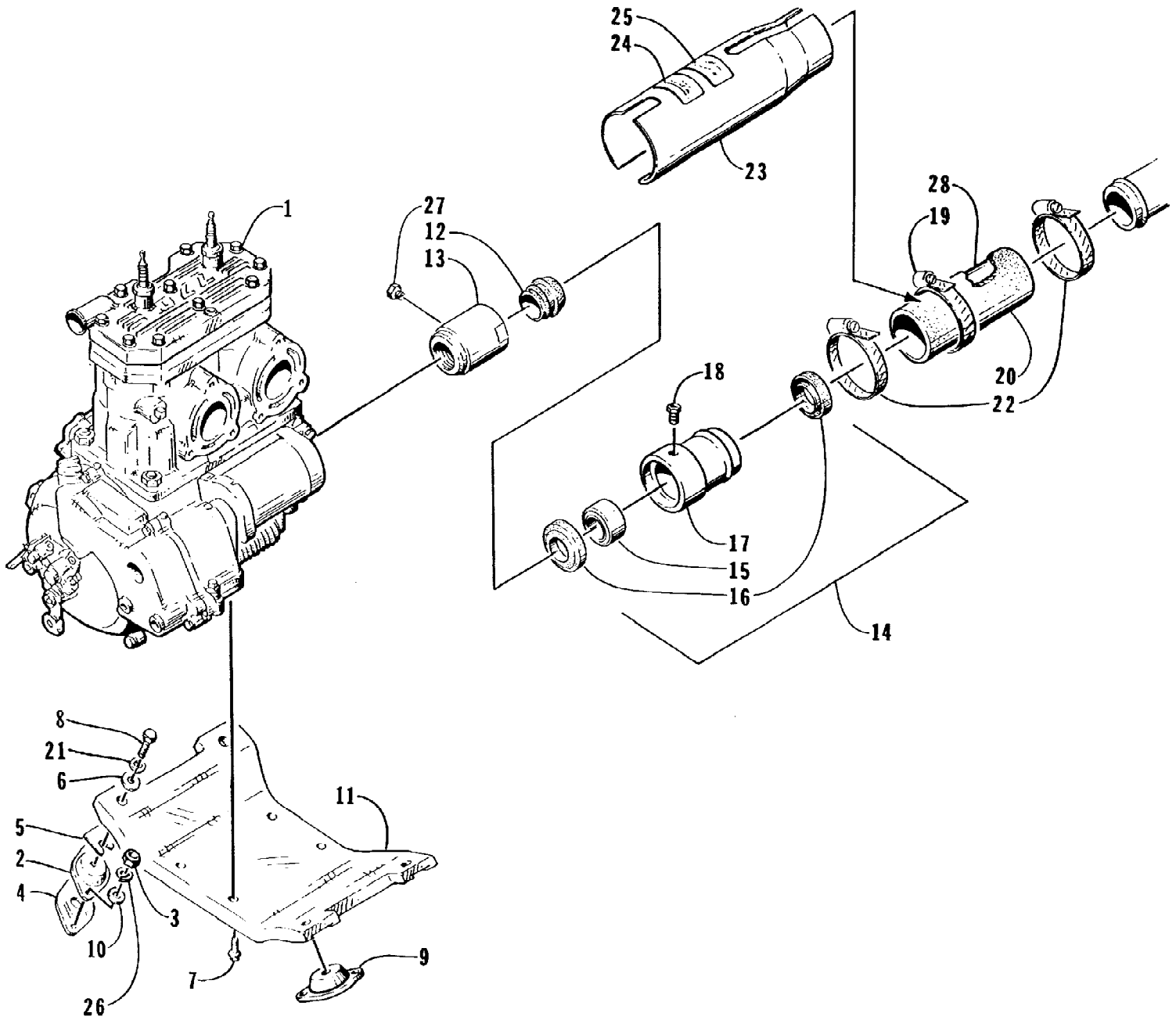
1997 DAYTONA 700 (97DTA-1997)  
ELECTRICAL MODULE AND BATTERY



1997 DAYTONA 700 (97DTA-1997)  
ELECTRICAL MODULE AND BATTERY

Page 12 of 60

| Ref # | Part Number | Qty | S/P/F | Description                 |
|-------|-------------|-----|-------|-----------------------------|
| 1     | 3008-279    | 1   | /P    | Regulator Assembly (inc. 2) |
| 2     | 3008-479    | 2   |       | Screw, Regulator            |
| 3     | 3008-337    | 2   |       | Washer, Regulator           |
| 4     | 3008-468    | 1   |       | Unit, CDI                   |
| 5     | 3008-478    | 10  |       | Screw, Cap                  |
| 6     | 3008-465    | 1   |       | Case                        |
| 7     | 3008-283    | 1   | /P    | Cover                       |
| 8     | 3008-284    | 1   | /P    | Cover                       |
| 9     | 3008-285    | 1   | /P    | Packing                     |
| 10    | 0673-755    | 1   |       | Vent, Fuel                  |
| 11    | 3008-124    | 3   |       | Holder                      |
| 12    | 3008-125    | 1   |       | Holder                      |
| 13    | 3008-477    | 4   |       | Screw, Cap                  |
| 14    | 3008-217    | 1   |       | Screw, Cap                  |
| 15    | 3008-330    | 1   | S/P   | Sensor - Assembly (inc. 16) |
| 16    | 3008-134    | 1   |       | Supporter                   |
| 17    | 3008-219    | 3   |       | Screw, Machine              |
| 18    | 3008-040    | 1   |       | Clamp                       |
| 19    | 1673-363    | 1   | /P    | Pad, Battery                |
| 20    | 3008-336    | 1   | /P    | Base, Regulator             |
| 21    | 0624-290    | 4   |       | Screw, Cap                  |
| 22    | 0624-228    | 4   |       | Washer                      |
| 23    | 0670-295    | 1   |       | Valve, Check                |
| 24    | 0623-502    | 1   |       | Clamp                       |
| 25    | 0610-008    | 0   | /P    | Hose - 25 ft                |
| 26    | 0673-454    | 1   |       | Cover, Battery              |
| 27    | 0773-805    | 3   |       | Tiedown                     |
| 28    | 0645-045    | 6   |       | Cap, Battery                |
| 29    | 0645-157    | 1   |       | Battery (inc. 28)           |
| 30    | 0623-323    | 1   |       | Clamp, Hose - Battery       |
| 31    | 0623-063    | 1   |       | Clamp                       |
| 32    | 0624-115    | 4   |       | Washer, Lock                |
| 33    | 3008-357    | 1   |       | Clamp                       |

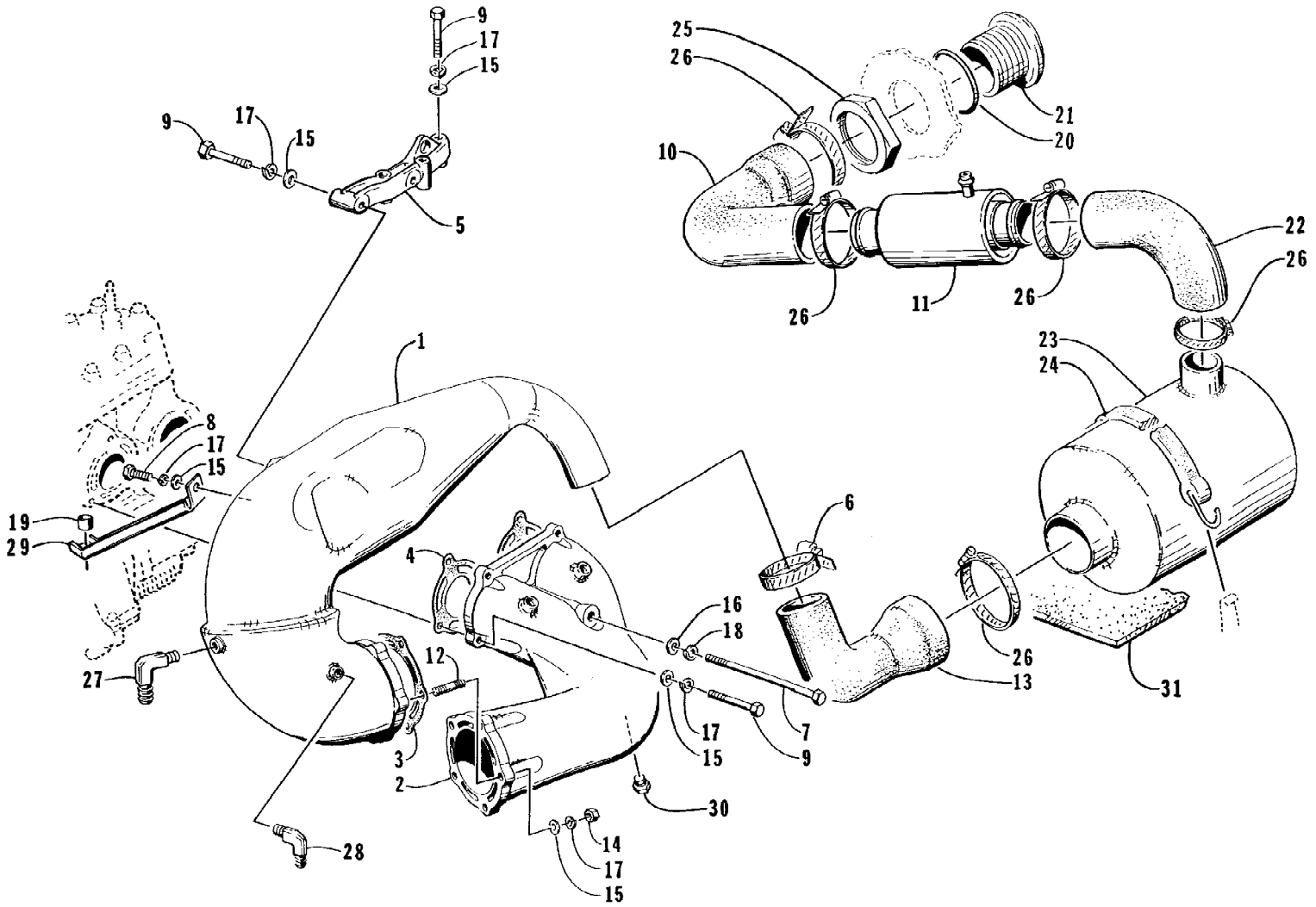


1997 DAYTONA 700 (97DTA-1997)  
ENGINE AND RELATED ASSEMBLY

Page 14 of 60

| Ref # | Part Number | Qty | S/P/F | Description                            |
|-------|-------------|-----|-------|--|
| 1     | 0662-197    | 1   | S     | Engine                                 |
| 2     | 3008-054    | 2   |       | Damper, Engine                         |
| 3     | 0624-149    | 8   |       | Nut                                    |
| 4     | 0673-508    | 0   | /P    | Shim, Engine Mount - 0.125 in.         |
| 4     | 0673-509    | 0   |       | Shim, Engine Mount - 0.063 in.         |
| 5     | 0624-014    | 0   | /P    | Shim - 0.5 mm                          |
| 5     | 0624-015    | 0   | /P    | Shim - 1.5 mm                          |
| 6     | 0624-406    | 4   |       | Washer                                 |
| 7     | 3008-203    | 4   | /P    | Screw, Cap                             |
| 8     | 0624-421    | 4   |       | Screw, Cap                             |
| 9     | 3008-456    | 2   |       | Mount, Engine                          |
| 10    | 0624-028    | 8   |       | Washer                                 |
| 11    | 0608-176    | 1   |       | Plate, Engine Mount                    |
| 12    | 0675-160    | 1   | /P    | Grommet, Seal                          |
| 13    | 0675-059    | 1   |       | Coupler, Engine                        |
| 14    | 0775-063    | 1   |       | Housing, Seal - Assembly (inc. 15-18)  |
| 15    | 0675-161    | 2   |       | Bearing                                |
| 16    | 0675-169    | 2   | S     | Seal                                   |
| 17    | 0675-162    | 1   |       | Housing/Bearing - Floating             |
| 18    | 0623-688    | 2   |       | Fitting, Grease                        |
| 19    | 0624-037    | 1   |       | Clamp                                  |
| 20    | 0675-017    | 1   | S     | Hose, Coupler                          |
| 21    | 0624-012    | 4   |       | Washer, Lock                           |
| 22    | 0624-390    | 2   |       | Clamp, Hose                            |
| 23    | 0773-688    | 1   |       | Guard, Coupler - Assembly (inc. 24-25) |
| 24    | 1611-608    | 1   |       | Decal, Warning                         |
| 25    | 0614-244    | 1   |       | Decal, Coupler - Servicing             |
| 26    | 0624-027    | 8   |       | Washer, Lock                           |
| 27    | 0623-658    | 1   |       | Fitting, Grease                        |
| 28    | 0675-045    | 1   |       | Tube, Coupler Guard                    |

1997 DAYTONA 700 (97DTA-1997)  
EXHAUST ASSEMBLY



1997 DAYTONA 700 (97DTA-1997)  
EXHAUST ASSEMBLY

Page 16 of 60

| Ref # | Part Number | Qty | S/P/F | Description                |
|-------|-------------|-----|-------|----------------------------|
| 1     | 0612-789    | 1   | S     | Chamber, Expansion         |
| 2     | 0612-716    | 1   | S     | Manifold, Exhaust          |
| 3     | 0612-813    | 1   | S     | Gasket, Expansion Chamber  |
| 4     | 1673-254    | 1   |       | Gasket, Exhaust Manifold   |
| 5     | 0612-732    | 1   | S     | Bracket, Expansion Chamber |
| 6     | 0624-390    | 1   |       | Clamp, Hose                |
| 7     | 0624-344    | 1   |       | Screw, Cap                 |
| 8     | 0624-026    | 1   |       | Screw, Cap                 |
| 9     | 0624-402    | 9   |       | Screw, Cap                 |
| 10    | 0610-314    | 1   | /P    | Hose, Exhaust - Out        |
| 11    | 0712-231    | 1   |       | Resonator                  |
| 12    | 0624-383    | 5   |       | Stud                       |
| 13    | 0610-303    | 1   |       | Hose, Exhaust - In         |
| 14    | 0624-149    | 5   |       | Nut                        |
| 15    | 0624-028    | 10  |       | Washer                     |
| 16    | 0624-008    | 1   |       | Washer                     |
| 17    | 0624-027    | 10  |       | Washer, Lock               |
| 18    | 0624-012    | 1   |       | Washer, Lock               |
| 19    | 0624-420    | 1   |       | Spacer                     |
| 20    | 0612-676    | 1   |       | Gasket                     |
| 21    | 0612-762    | 1   | /P    | Outlet, Exhaust            |
| 22    | 0610-301    | 1   |       | Hose, Exhaust - Out        |
| 23    | 0712-227    | 1   |       | Muffler                    |
| 24    | 0773-805    | 2   |       | Tiedown, Rubber            |
| 25    | 0612-576    | 1   |       | Nut, Exhaust Outlet        |
| 26    | 0624-169    | 5   |       | Clamp, Hose                |
| 27    | 1673-102    | 3   |       | Fitting, Elbow             |
| 28    | 1673-101    | 1   | /P    | Fitting, Elbow             |
| 29    | 0612-737    | 1   |       | Brace, Expansion Chamber   |
| 30    | 1673-360    | 1   |       | Plug                       |
| 31    | 1673-363    | 1   | /P    | Pad, Muffler               |



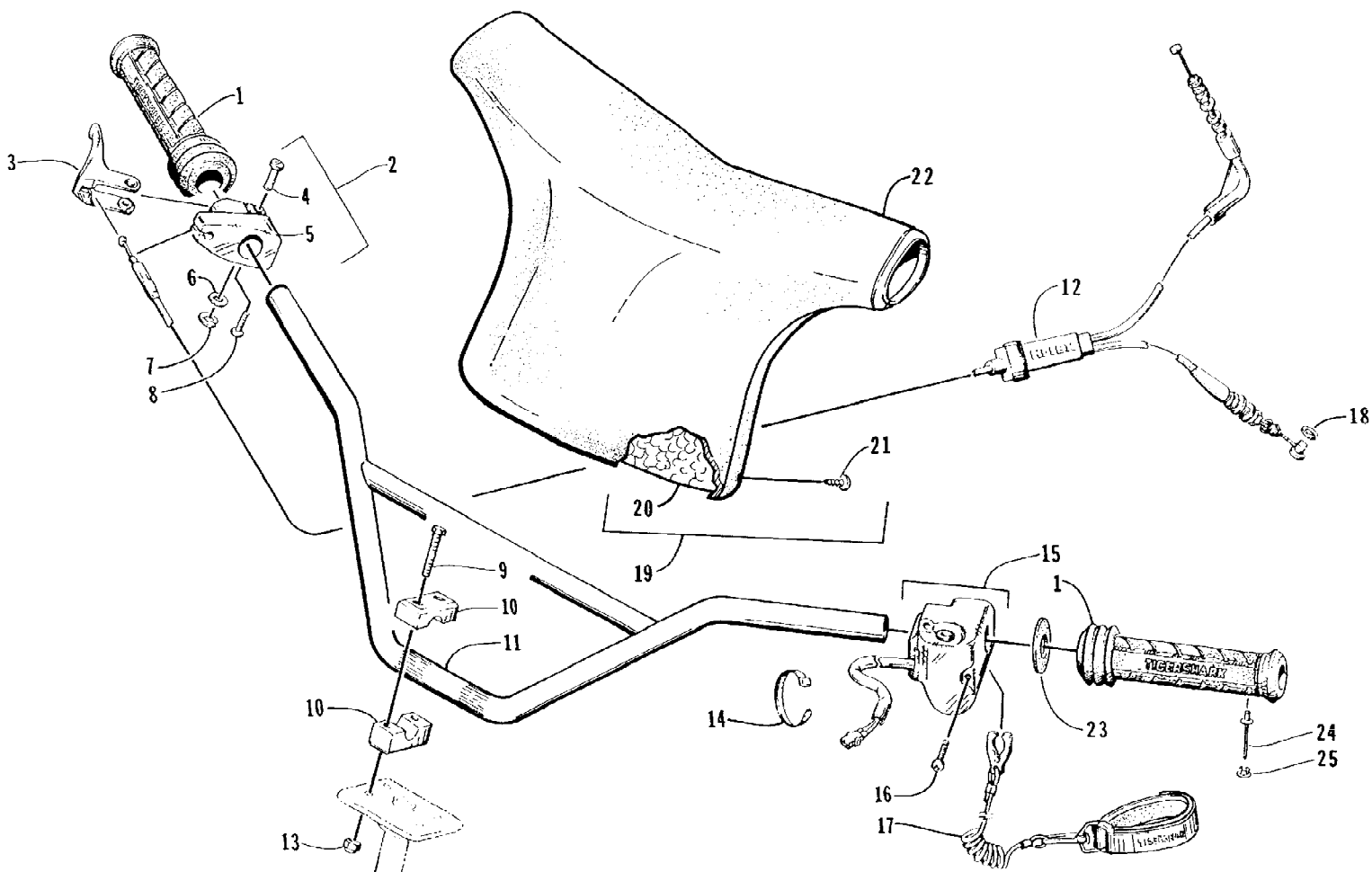


1997 DAYTONA 700 (97DTA-1997)  
GAS TANK ASSEMBLY

Page 18 of 60

| Ref # | Part Number | Qty | S/P/F | Description                               |
|-------|-------------|-----|-------|---|
| 1     | 0770-239    | 1   |       | Tank, Gas - Assembly (inc. 2,11,14,16,20) |
| 2     | 0670-564    | 1   |       | Outlet, Gas Tank - Brass                  |
| 3     | 0624-390    | 2   |       | Clamp, Hose                               |
| 4     | 0670-582    | 1   | S     | Cap, Filler Neck                          |
| 5     | 0670-581    | 1   |       | Neck, Filler                              |
| 6     | 0670-688    | 1   |       | Seal, Filler Neck                         |
| 7     | 0670-548    | 1   |       | Nut, Filler Neck                          |
| 8     | 0623-365    | 19  |       | Clamp, Hose                               |
| 9     | 0610-107    | 0   |       | Hose, Gas - 25 ft                         |
| 10    | 0624-312    | 5   |       | Screw, Cap                                |
| 11    | 0670-755    | 1   |       | Tube, Drop - Reserve                      |
| 12    | 1673-380    | 2   |       | Plate, Backing - Fuel Valve               |
| 13    | 0670-474    | 1   |       | Gasket, Fuel Sensor                       |
| 14    | 0670-607    | 1   |       | Tube, Drop                                |
| 15    | 0624-090    | 4   |       | Nut, Lock                                 |
| 16    | 0670-655    | 2   |       | Fitting, Outlet - Brass                   |
| 17    | 0610-047    | 1   |       | Hose, Filler                              |
| 18    | 0510-335    | 2   | /P    | Filter, Fuel                              |
| 19    | 0624-125    | 8   | /P    | Washer                                    |
| 20    | 0115-607    | 1   | S     | Fitting, Elbow                            |
| 21    | 0109-332    | 1   |       | T-Connection                              |
| 22    | 0123-788    | 2   | /P    | Tie, Cable                                |
| 23    | 0610-059    | 2   |       | Valve, Check                              |
| 24    | 0673-755    | 1   |       | Vent, Fuel                                |
| 25    | 0623-063    | 1   |       | Clamp, Hose                               |
| 26    | 0670-710    | 1   |       | Valve, Fuel Reserve                       |
| 27    | 0624-428    | 1   |       | Screw, Machine                            |
| 28    | 0623-693    | 1   |       | Washer                                    |
| 29    | 0623-687    | 1   |       | Nut                                       |
| 30    | 1673-274    | 1   |       | Knob, Fuel                                |
| 31    | 1673-327    | 4   |       | Bushing, Fuel Tank                        |
| 32    | 0620-197    | 1   |       | Sender, Fuel Level                        |

1997 DAYTONA 700 (97DTA-1997)  
HANDLEBAR ASSEMBLY

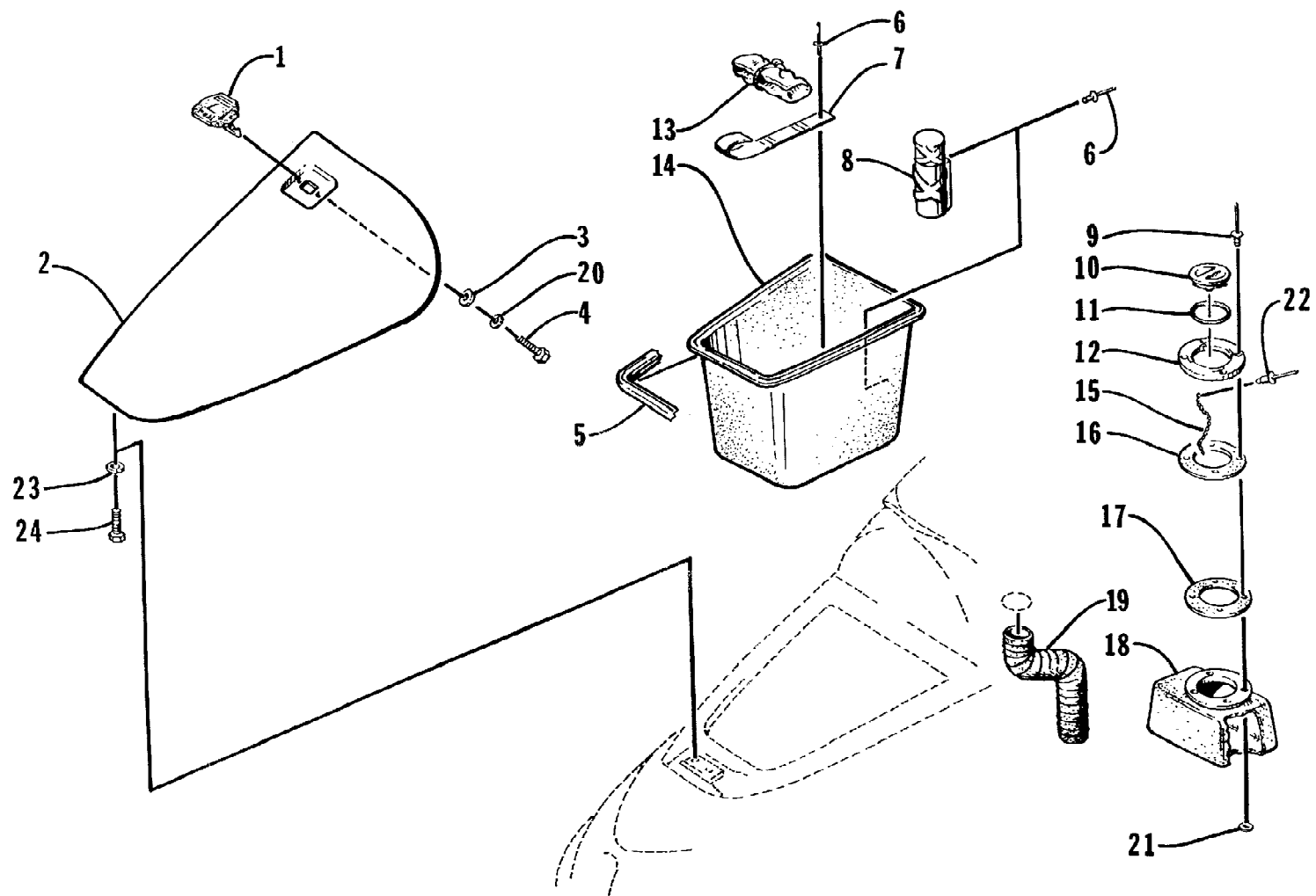


1997 DAYTONA 700 (97DTA-1997)  
HANDLEBAR ASSEMBLY

Page 20 of 60

| Ref # | Part Number | Qty | S/P/F | Description                           |
|-------|-------------|-----|-------|---------------------------------------|
| 1     | 0673-990    | 2   | S     | Grip, Handlebar                       |
| 2     | 0773-018    | 1   |       | Throttle, Assembly (inc. 3-8)         |
| 3     | 0605-234    | 1   |       | Lever, Throttle                       |
| 4     | 0605-236    | 1   |       | Pin, Throttle Lever                   |
| 5     | 0605-235    | 1   |       | Housing, Throttle                     |
| 6     | 0624-099    | 1   |       | Washer                                |
| 7     | 0624-113    | 1   |       | C-Clip                                |
| 8     | 0624-091    | 1   |       | Screw, Machine                        |
| 9     | 0624-056    | 4   |       | Screw, Cap                            |
| 10    | 0673-282    | 4   |       | Cap, Steering Adjuster                |
| 11    | 0773-608    | 1   |       | Handlebar                             |
| 12    | 0687-076    | 1   |       | Cable, Throttle                       |
| 13    | 0624-250    | 4   |       | Nut, Lock                             |
| 14    | 0123-788    | 0   | /P    | Tie, Cable                            |
| 15    | 0609-309    | 1   |       | Switch, Start/Trim/Bilge (inc. 16)    |
| 16    | 0624-148    | 3   |       | Screw, Machine                        |
| 17    | 0609-310    | 1   | /P    | Cord, Tether                          |
| 18    | 0624-104    | 1   |       | C-Clip                                |
| 19    | 0773-848    | 1   |       | Handlebar Pad - Assembly (inc. 20-22) |
| 20    | 1673-242    | 1   |       | Pad, Handlebar                        |
| 21    | 0624-350    | 6   | S     | Screw, Cap                            |
| 22    | 0           | 1   | F     | Cover, Handlebar Pad                  |
| 23    | 1673-095    | 1   |       | Washer, Rubber - Handlebar            |
| 24    | 0624-216    | 2   |       | Rivet                                 |
| 25    | 1673-111    | 2   |       | Plug                                  |

1997 DAYTONA 700 (97DTA-1997)  
HATCH COVER AND STORAGE TRAY

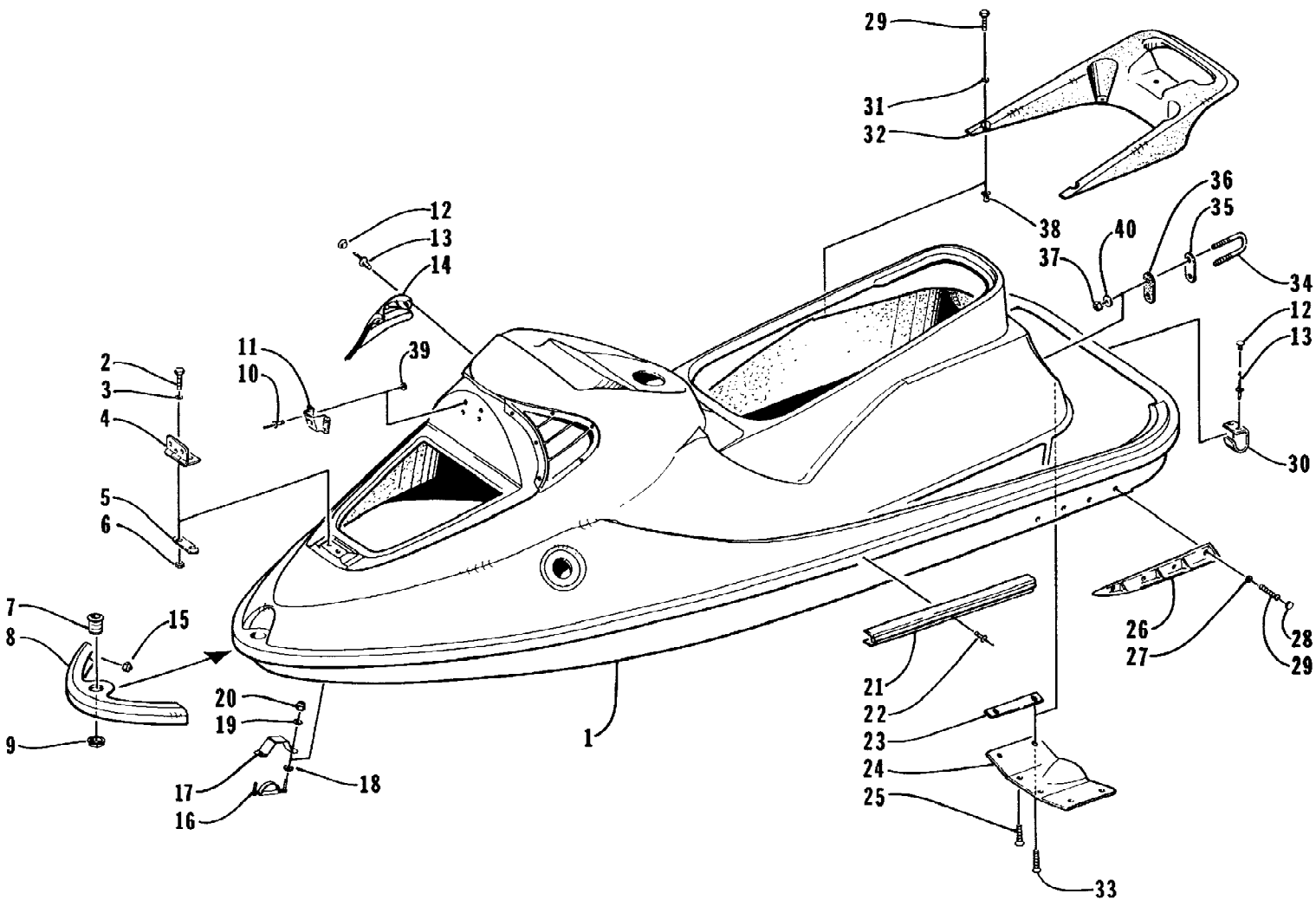


1997 DAYTONA 700 (97DTA-1997)  
HATCH COVER AND STORAGE TRAY

Page 22 of 60

| Ref # | Part Number | Qty | S/P/F | Description                          |
|-------|-------------|-----|-------|--------------------------------------|
| 1     | 0673-882    | 1   |       | Latch, Hatch Cover                   |
| 2     | 1673-041    | 1   |       | Cover, Hatch                         |
| 3     | 0624-004    | 2   |       | Washer                               |
| 4     | 0624-092    | 2   |       | Screw, Cap                           |
| 5     | 1673-257    | 1   | S     | Seal, Hatch                          |
| 6     | 0623-685    | 5   |       | Rivet                                |
| 7     | 0773-217    | 1   |       | Tiedown, Tool Kit                    |
| 8     | 1673-046    | 1   |       | Tube, Fire Extinguisher              |
| 9     | 8060-633    | 6   | /P    | Rivet                                |
| 10    | 0406-208    | 1   |       | Lid, Storage Cover                   |
| 11    | 1673-146    | 1   |       | Seal                                 |
| 12    | 0406-205    | 1   | /P    | Ring, Mount                          |
| 13    | 0678-399    | 1   |       | Kit, Tool                            |
| 14    | 1673-268    | 1   | S     | Tray, Storage                        |
| 15    | 0773-401    | 1   |       | Chain, Cover                         |
| 16    | 0673-973    | 1   |       | Seal, Storage Cover                  |
| 17    | 1673-155    | 1   |       | Gasket, Mounting - Storage Container |
| 18    | 0673-652    | 1   | /P    | Container, Storage                   |
| 19    | 0610-260    | 1   |       | Hose, Air Intake                     |
| 20    | 0624-200    | 2   |       | Washer, Lock                         |
| 21    | 0623-603    | 4   |       | Washer, Backup                       |
| 22    | 0624-074    | 2   |       | Rivet                                |
| 23    | 0624-115    | 3   |       | Washer, Lock                         |
| 24    | 0624-432    | 3   |       | Screw, Self-Tapping                  |

1997 DAYTONA 700 (97DTA-1997)  
HULL AND RELATED PARTS ASSEMBLY



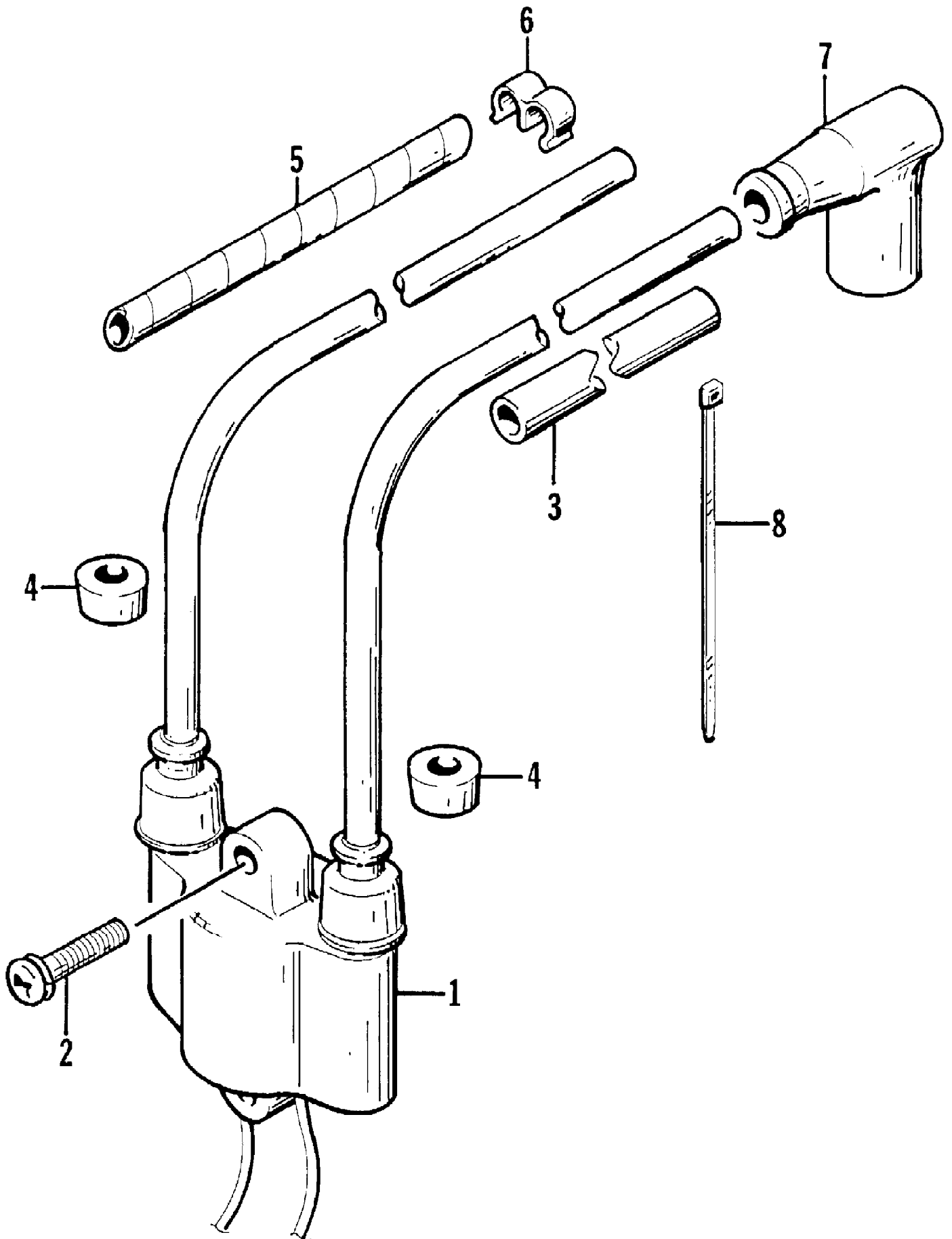
1997 DAYTONA 700 (97DTA-1997)  
HULL AND RELATED PARTS ASSEMBLY

Page 24 of 60

| Ref # | Part Number | Qty | S/P/F | Description              |
|-------|-------------|-----|-------|--------------------------|
| 1     | 0773-843    | 1   |       | Hull/Deck - Assembly     |
| 2     | 0624-112    | 2   | /P    | Screw, Cap               |
| 3     | 0624-022    | 2   |       | Washer                   |
| 4     | 1673-032    | 1   |       | Hinge, Hatch             |
| 5     | 1673-031    | 1   |       | Plate, Backing - Hinge   |
| 6     | 0624-250    | 2   |       | Nut, Lock                |
| 7     | 1673-281    | 1   |       | Bushing, Boweye          |
| 8     | 1673-265    | 1   | S     | Nose, Cone               |
| 9     | 0673-378    | 1   | S     | Nut, Boweye Bushing      |
| 10    | 0624-072    | 4   |       | Rivet                    |
| 11    | 1673-034    | 1   |       | Strike, Hatch Latch      |
| 12    | 1673-284    | 14  |       | Plug, Mushroom           |
| 13    | 0623-619    | 14  |       | Rivet                    |
| 14    | 1673-266    | 1   |       | Grille, Vent - Right     |
| 14    | 1673-267    | 1   |       | Grille, Vent - Left      |
| 15    | 0624-005    | 2   | /P    | Nut, Lock                |
| 16    | 0773-516    | 1   | /P    | Boweye                   |
| 17    | 0673-897    | 1   |       | Strap, Reinforcement     |
| 18    | 0624-299    | 2   |       | Washer, Sealing          |
| 19    | 0624-247    | 2   |       | Washer                   |
| 20    | 0624-089    | 2   |       | Nut, Lock                |
| 21    | 1673-270    | 1   |       | Rail, Rub - Right        |
| 21    | 1673-271    | 1   |       | Rail, Rub - Left         |
| 22    | 0624-030    | 48  |       | Rivet                    |
| 23    | 1673-200    | 2   |       | Plate, Nut               |
| 24    | 0775-073    | 1   | /P    | Plate, Ride              |
| 25    | 0624-184    | 2   |       | Screw, Machine           |
| 26    | 1673-308    | 1   |       | Sponson - Right          |
| 26    | 1673-309    | 1   |       | Sponson - Left           |
| 27    | 0124-065    | 8   |       | Washer, Snap Cap         |
| 28    | 1673-269    | 8   |       | Cover, Snap Cap          |
| 29    | 0624-271    | 12  |       | Screw, Cap               |
| 30    | 1673-285    | 1   |       | Cover, Rub Rail          |
| 31    | 0624-115    | 4   |       | Washer, Lock             |
| 32    | 1673-305    | 1   |       | Handle, Grab             |
| 33    | 0624-186    | 4   |       | Screw, Machine           |
| 34    | 0624-429    | 1   |       | U-Bolt                   |
| 35    | 0673-656    | 1   |       | Plate, Backing - Eyehook |
| 36    | 1673-083    | 1   |       | Gasket, Eyehook          |
| 37    | 0624-258    | 2   |       | Nut, Lock                |
| 38    | 0623-557    | 4   |       | Insert, Brass            |
| 39    | 0624-004    | 4   |       | Washer, Backup           |
| 40    | 0624-159    | 2   |       | Washer                   |



1997 DAYTONA 700 (97DTA-1997)  
IGNITION COIL

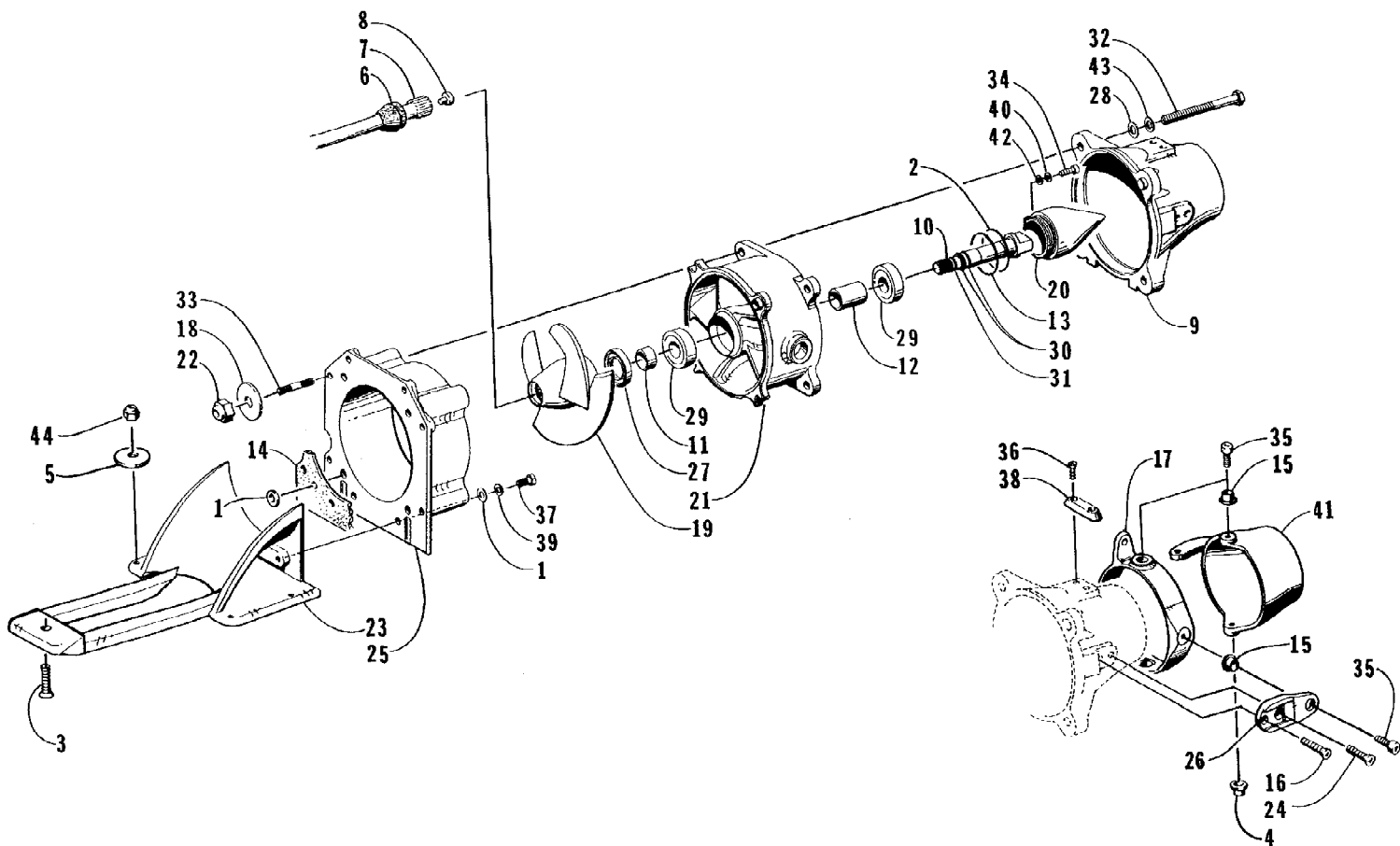


1997 DAYTONA 700 (97DTA-1997)  
IGNITION COIL

Page 26 of 60

| Ref # | Part Number | Qty | S/P/F | Description              |
|-------|-------------|-----|-------|--------------------------|
| 1     | 3008-532    | 1   |       | Coil Assembly, Ignition  |
| 2     | 3008-402    | 2   |       | Screw, Machine           |
| 3     | 3008-445    | 2   |       | Tube                     |
| 4     | 3008-334    | 2   | /P    | Grommet                  |
| 5     | 3008-129    | 2   | /P    | Protector, Lead Wire     |
| 6     | 3008-045    | 1   |       | Clip                     |
| 7     | 3003-737    | 2   | S     | Cap Assembly, Spark Plug |
| 8     | 0693-275    | 2   |       | Tie, Cable               |

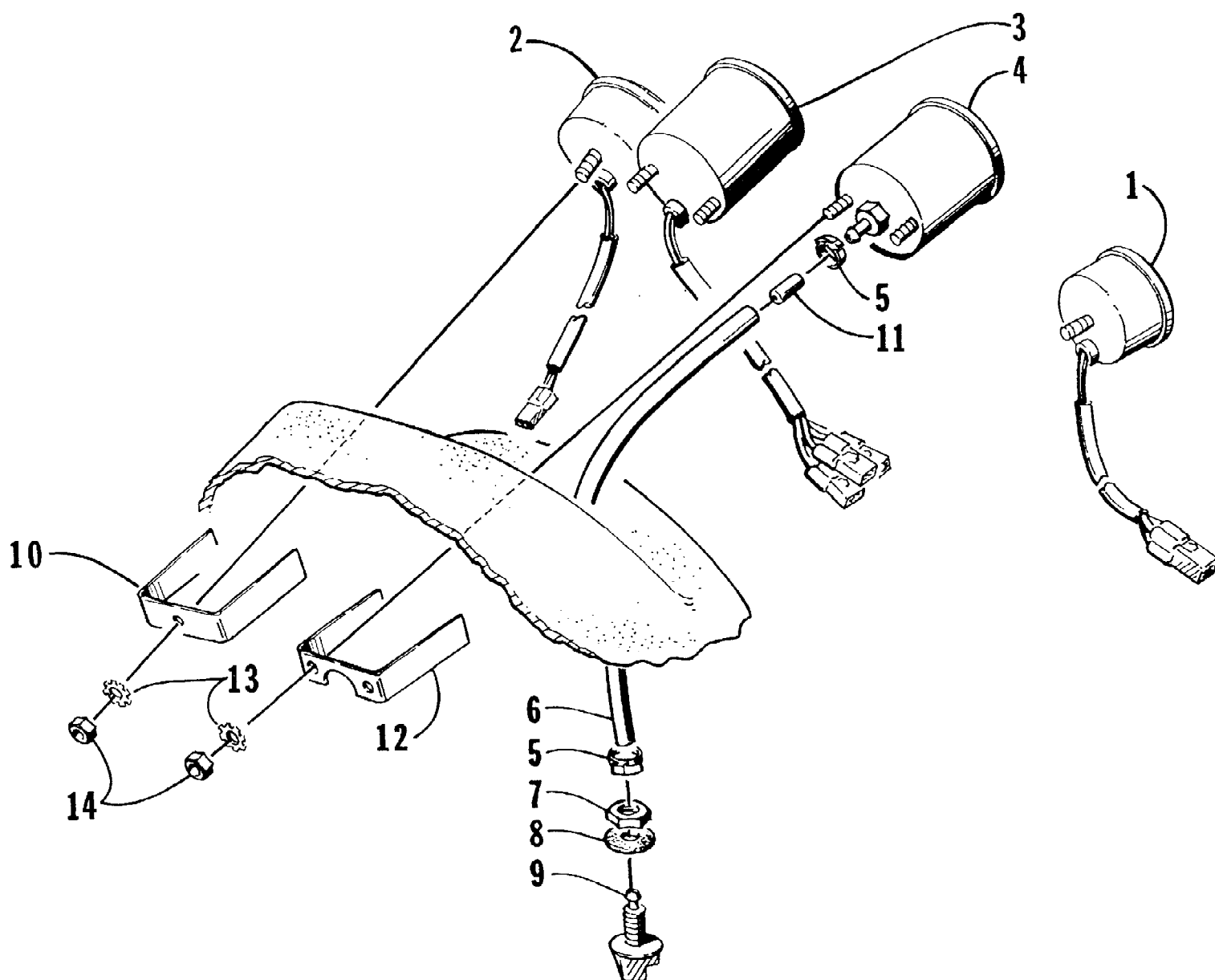
1997 DAYTONA 700 (97DTA-1997)  
IMPELLER DRIVE ASSEMBLY



1997 DAYTONA 700 (97DTA-1997)  
IMPELLER DRIVE ASSEMBLY

Page 28 of 60

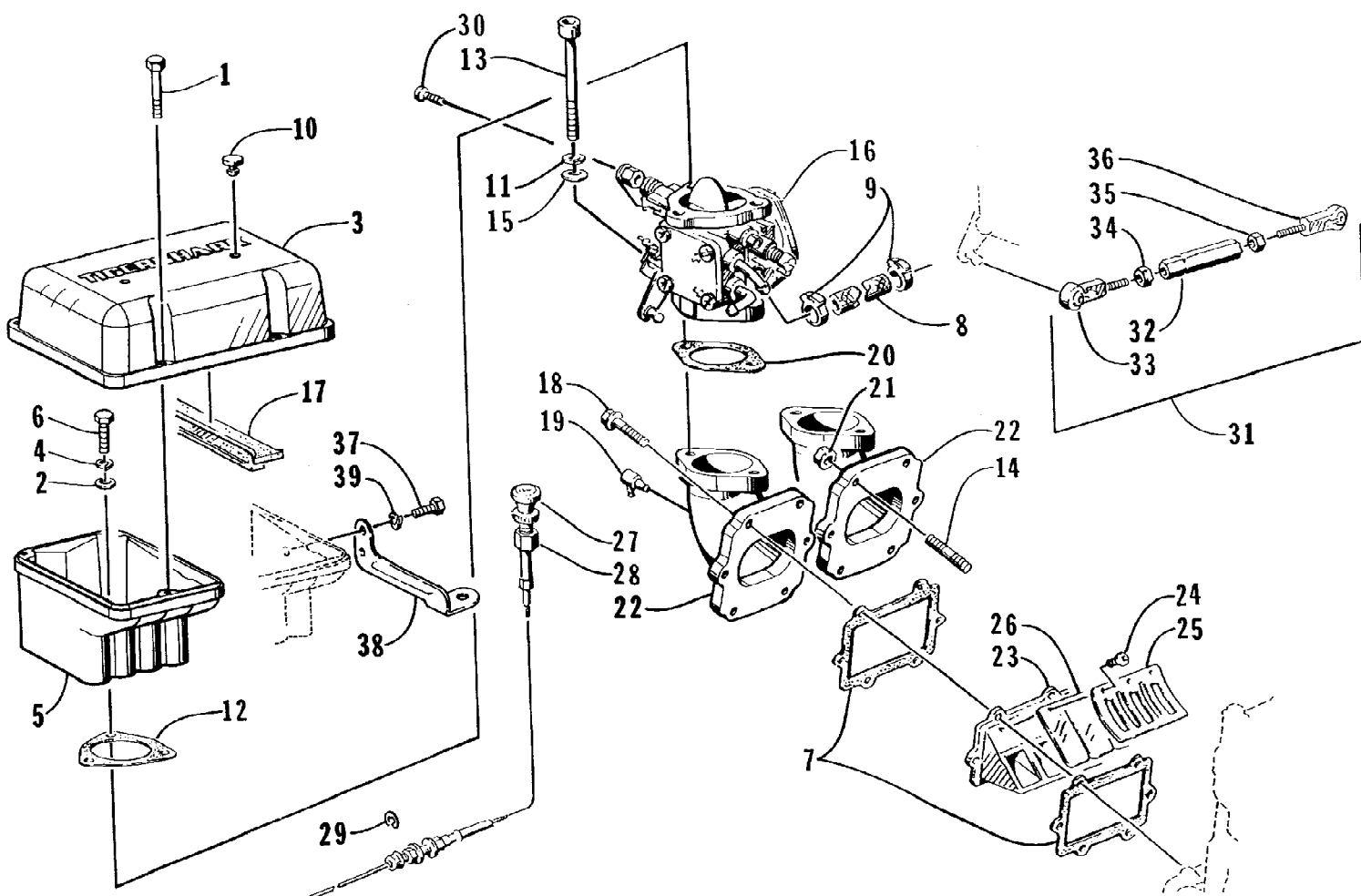
| Ref # | Part Number | Qty | S/P/F | Description            |
|-------|-------------|-----|-------|------------------------|
| 1     | 0624-028    | 4   |       | Washer                 |
| 2     | 0675-078    | 1   |       | O-Ring                 |
| 3     | 0624-186    | 5   |       | Screw, Machine         |
| 4     | 1673-377    | 1   | S     | Bushing, Trim Ring     |
| 5     | 0624-182    | 4   |       | Washer, Sealing        |
| 6     | 0675-187    | 1   |       | Grommet, Seal          |
| 7     | 0675-181    | 1   | S     | Driveshaft             |
| 8     | 0673-618    | 2   | /P    | Bumper, Driveshaft     |
| 9     | 0675-184    | 1   |       | Venturi                |
| 10    | 0675-098    | 1   | /P    | Shaft, Rear - Impeller |
| 11    | 0675-085    | 1   |       | Spacer, Impeller       |
| 12    | 0675-084    | 1   |       | Spacer, Bearing        |
| 13    | 0675-127    | 1   |       | O-Ring                 |
| 14    | 0675-107    | 1   |       | Gasket, Pump           |
| 15    | 0673-291    | 3   |       | Bushing                |
| 16    | 0624-272    | 2   |       | Screw, Machine         |
| 17    | 0675-150    | 1   | S     | Ring, Trim             |
| 18    | 0624-125    | 4   | /P    | Washer                 |
| 19    | 0675-138    | 1   |       | Impeller               |
| 20    | 0675-146    | 1   |       | Endcap, Stator         |
| 21    | 0675-108    | 1   | S     | Stator                 |
| 22    | 0624-090    | 6   |       | Nut, Lock              |
| 23    | 0675-191    | 1   | /P    | Grate, Inlet           |
| 24    | 0624-273    | 2   |       | Screw, Machine         |
| 25    | 0775-023    | 1   | S     | Wear Ring              |
| 26    | 0673-786    | 2   |       | Bracket, Trim Ring     |
| 27    | 0675-119    | 1   | S     | Seal                   |
| 28    | 0624-008    | 4   |       | Washer                 |
| 29    | 0673-609    | 2   |       | Bearing, Stator        |
| 30    | 0673-608    | 2   |       | O-Ring                 |
| 31    | 0673-607    | 1   |       | O-Ring                 |
| 32    | 0624-386    | 4   |       | Screw, Cap             |
| 33    | 0624-417    | 6   |       | Stud                   |
| 34    | 0624-314    | 2   |       | Screw, Cap             |
| 35    | 0624-174    | 4   |       | Screw, Cap             |
| 36    | 0624-184    | 2   |       | Screw, Machine         |
| 37    | 0624-026    | 2   |       | Screw, Cap             |
| 38    | 0624-084    | 1   |       | Anode, Zinc            |
| 39    | 0624-027    | 2   |       | Washer, Lock           |
| 40    | 0624-036    | 2   |       | Washer, Lock           |
| 41    | 0675-103    | 1   |       | Nozzle, Steering       |
| 42    | 0624-022    | 2   |       | Washer                 |
| 43    | 0624-012    | 4   |       | Washer, Lock           |
| 44    | 0624-250    | 6   |       | Nut, Lock              |



1997 DAYTONA 700 (97DTA-1997)  
INSTRUMENT ASSEMBLY

Page 30 of 60

| Ref # | Part Number | Qty | S/P/F | Description                       |
|-------|-------------|-----|-------|-----------------------------------|
| 1     | 0620-193    | 1   |       | Gauge, Trim                       |
| 2     | 0620-190    | 1   | S     | Gauge, Fuel                       |
| 3     | 0620-191    | 1   |       | Tachometer                        |
| 4     | 0620-189    | 1   |       | Speedometer                       |
| 5     | 0123-811    | 2   |       | Clamp                             |
| 6     | 0673-809    | 0   | /P    | Hose                              |
| 7     | 0673-348    | 1   |       | Nut, Pitot                        |
| 8     | 0673-349    | 1   |       | Seal, Pitot                       |
| 9     | 0673-362    | 1   | S     | Pitot                             |
| 10    | 0620-173    | 2   |       | Backclamp, Fuel Gauge/Trim Gauge  |
| 11    | 1673-387    | 1   | S     | Fitting, Restrictor - Speedometer |
| 12    | 0620-199    | 2   |       | Backclamp, Speedometer            |
| 12    | 0620-201    | 2   |       | Backclamp, Tachometer             |
| 13    | 0623-702    | 6   |       | Washer, Star                      |
| 14    | 0623-701    | 6   |       | Nut                               |

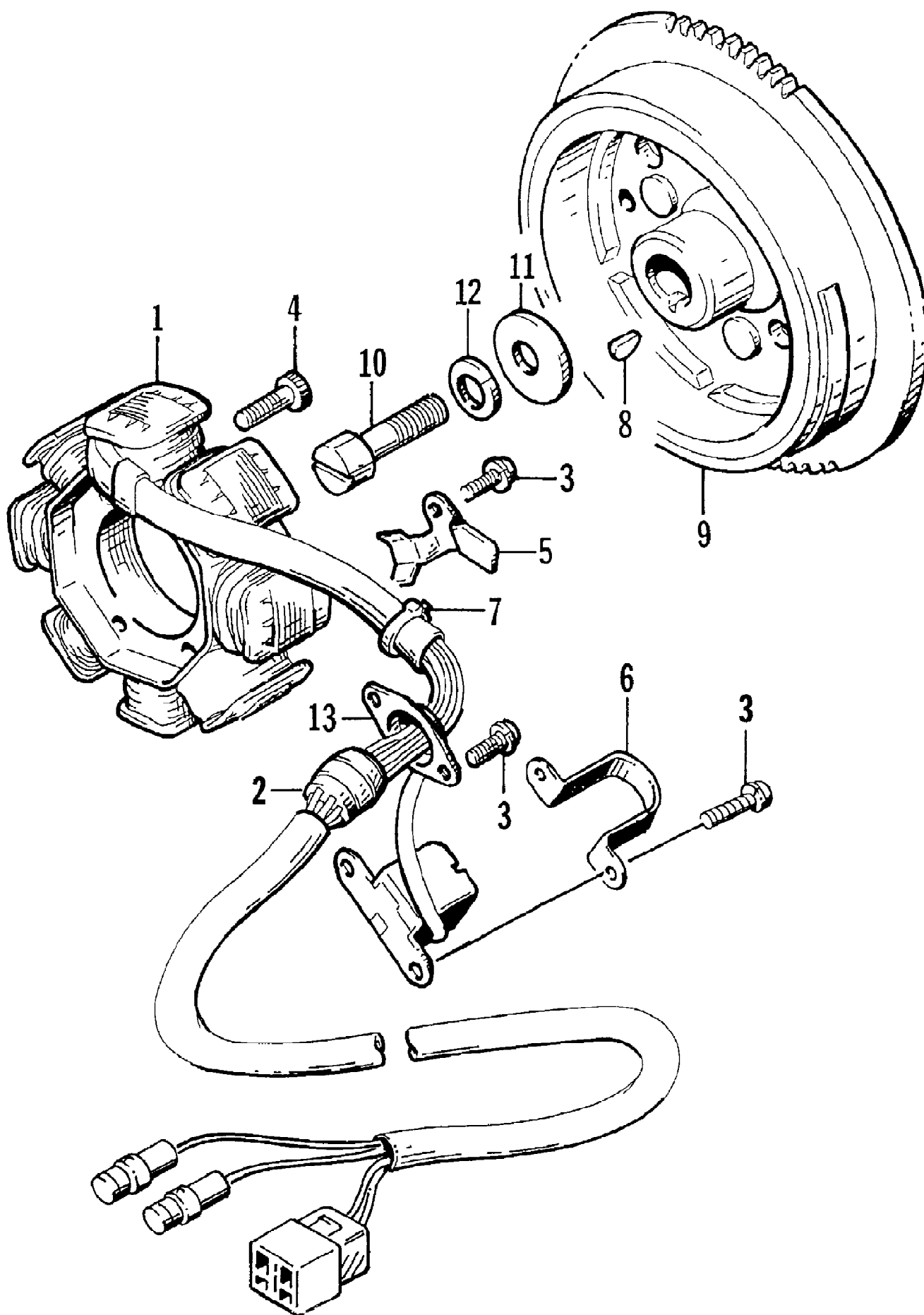


1997 DAYTONA 700 (97DTA-1997)  
INTAKE ASSEMBLY

Page 32 of 60

| Ref # | Part Number | Qty | S/P/F | Description                           |
|-------|-------------|-----|-------|---------------------------------------|
| 1     | 0624-408    | 6   |       | Screw, Cap                            |
| 2     | 0624-022    | 6   |       | Washer                                |
| 3     | 1673-255    | 1   |       | Cover, Sound Attenuator               |
| 4     | 0624-036    | 6   |       | Washer, Lock                          |
| 5     | 1673-375    | 1   |       | Base, Sound Attenuator - Mag Side     |
| 5     | 1673-403    | 1   |       | Base, Sound Attenuator - PTO Side     |
| 6     | 0624-112    | 6   | /P    | Screw, Cap                            |
| 7     | 3008-076    | 4   | S     | Gasket, Reed Valve                    |
| 8     | 0610-107    | 0   |       | Hose, Gas - 25 ft                     |
| 9     | 0624-324    | 8   |       | Clamp, Hose                           |
| 10    | 1606-038    | 2   |       | Plug                                  |
| 11    | 0624-027    | 4   |       | Washer, Lock                          |
| 12    | 1673-179    | 2   |       | Gasket, Sound Attenuator              |
| 13    | 0624-338    | 4   | /P    | Screw, Cap                            |
| 14    | 0624-397    | 6   |       | Stud                                  |
| 15    | 0624-028    | 4   |       | Washer                                |
| 16    | 0670-670    | 1   |       | Carburetor - Ass'y (Inc. Mag and PTO) |
|       | 0670-763    | 1   |       | Carburetor - Mag Side                 |
|       | 0670-764    | 1   |       | Carburetor - PTO Side                 |
| 17    | 0670-714    | 1   |       | Seal, Strip - Sound Attenuator        |
| 18    | 3008-213    | 6   | /P    | Screw, Cap                            |
| 19    | 3008-087    | 2   | S     | Valve, Check                          |
| 20    | 1673-090    | 2   |       | Gasket, Intake                        |
| 21    | 0624-250    | 4   |       | Nut                                   |
| 22    | 0670-725    | 2   | /P    | Manifold, Intake                      |
| 23    | 3008-483    | 2   |       | Reed Valve - Assembly (inc. 24-26)    |
| 24    | 3004-422    | 12  |       | Screw, Cap                            |
| 25    | 3008-074    | 4   |       | Stopper, Reed Valve                   |
| 26    | 3004-177    | 4   |       | Valve, Reed                           |
| 27    | 0687-094    | 1   |       | Cable, Choke                          |
| 28    | 0687-051    | 1   | /P    | Nut                                   |
| 29    | 0624-268    | 1   |       | Ring, Retaining                       |
| 30    | 6505-855    | 2   |       | Screw, Machine                        |
| 31    | 6505-927    | 1   |       | Throttle Linkage (inc. 32-36)         |
| 32    | 6505-857    | 1   | S     | Adjuster, Throttle Linkage            |
| 33    | 6505-858    | 1   |       | End, Adjuster - Left                  |
| 34    | 6505-859    | 1   |       | Nut - Left                            |
| 35    | 6505-860    | 1   |       | Nut                                   |
| 36    | 6505-861    | 1   |       | End, Adjuster                         |
| 37    | 0624-155    | 2   |       | Screw, Cap                            |
| 38    | 1673-430    | 1   |       | Brace, Sound Attenuator - Dual        |
| 39    | 0624-200    | 2   |       | Washer, Lock                          |



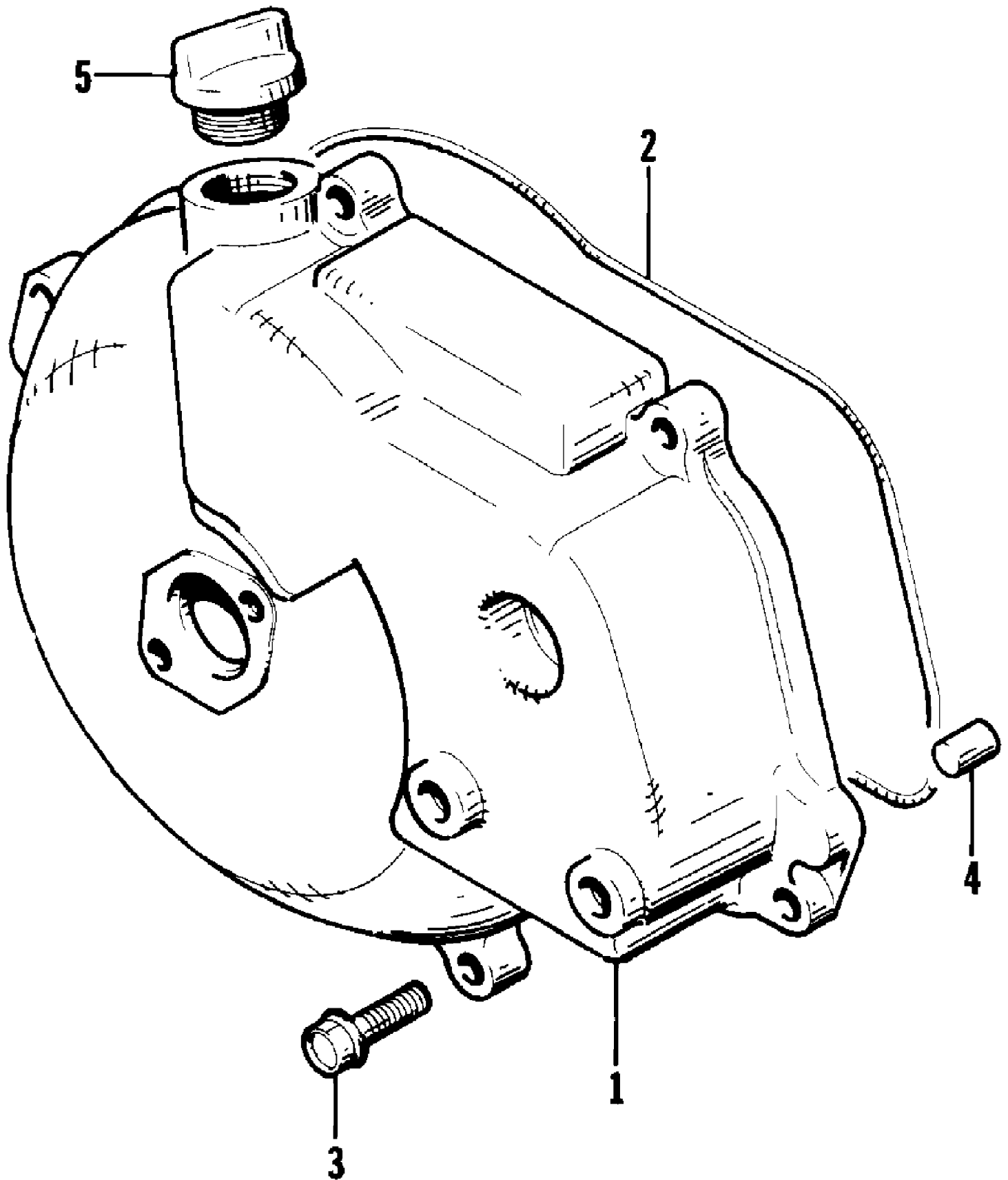


1997 DAYTONA 700 (97DTA-1997)  
MAGNETO

Page 34 of 60

| Ref # | Part Number | Qty | S/P/F | Description     |
|-------|-------------|-----|-------|-----------------|
| 1     | 3008-329    | 1   | S     | Stator          |
| 2     | 3008-278    | 1   |       | Grommet         |
| 3     | 3004-706    | 5   | S/P   | Screw, Cap      |
| 4     | 3004-484    | 3   | S     | Screw, Cap      |
| 5     | 3008-109    | 1   |       | Holder          |
| 6     | 3008-331    | 1   | /P    | Clamp           |
| 7     | 0693-275    | 1   |       | Clamp           |
| 8     | 3004-540    | 1   | /P    | Key             |
| 9     | 3008-108    | 1   | S     | Flywheel        |
| 10    | 3008-388    | 1   | S     | Screw, Cap      |
| 11    | 3008-017    | 1   |       | Washer          |
| 12    | 3004-362    | 1   | S/P   | Washer, Lock    |
| 13    | 3008-110    | 1   |       | Holder, Grommet |

1997 DAYTONA 700 (97DTA-1997)  
MAGNETO CASE

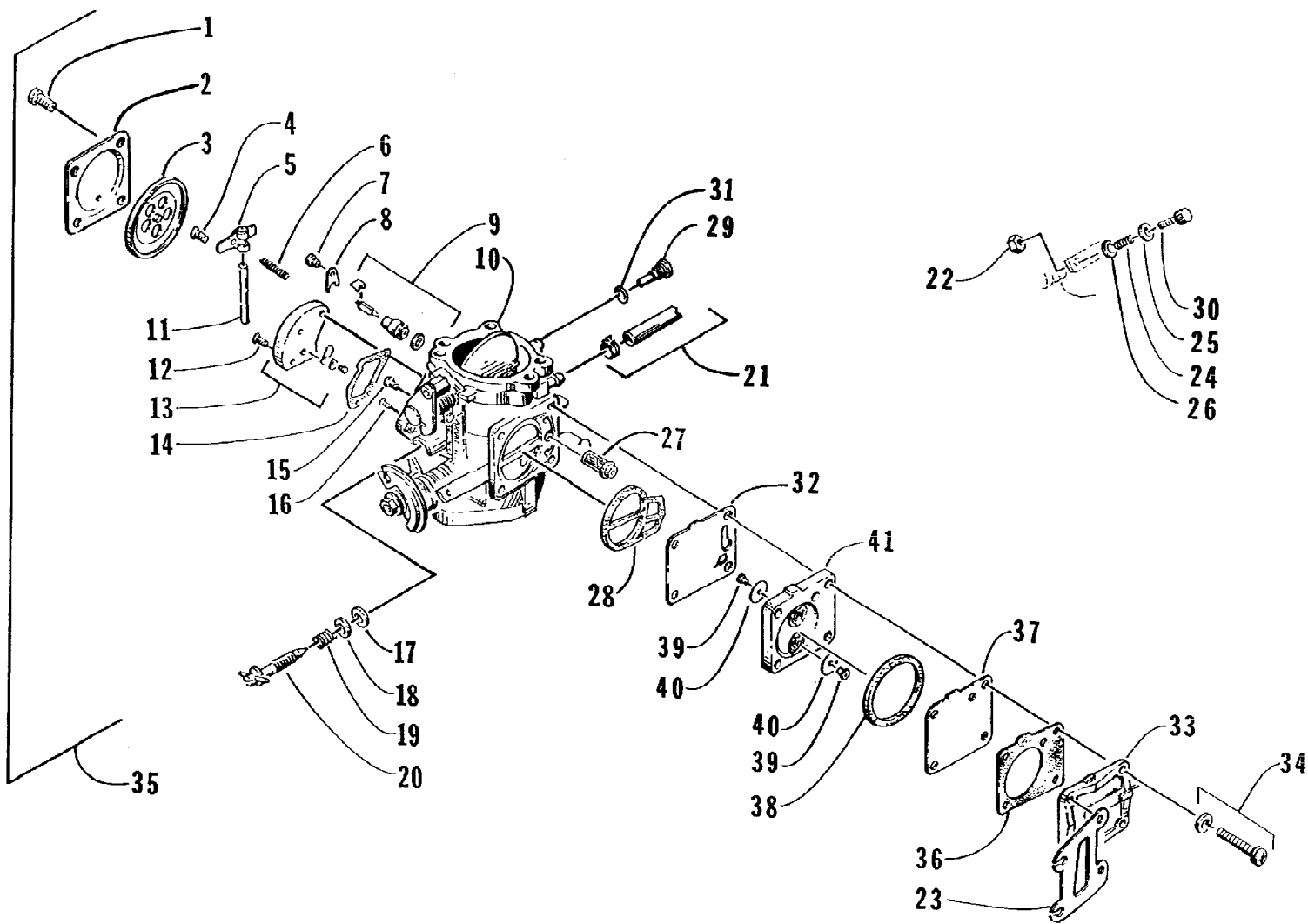


1997 DAYTONA 700 (97DTA-1997)  
MAGNETO CASE

---

| Ref # | Part Number | Qty | S/P/F | Description   |
|-------|-------------|-----|-------|---------------|
| 1     | 3008-238    | 1   | /P    | Case, Magneto |
| 2     | 3008-053    | 1   |       | O-Ring        |
| 3     | 3008-213    | 6   | /P    | Screw, Cap    |
| 4     | 3008-146    | 2   |       | Pin           |
| 5     | 3008-023    | 1   |       | Plug          |

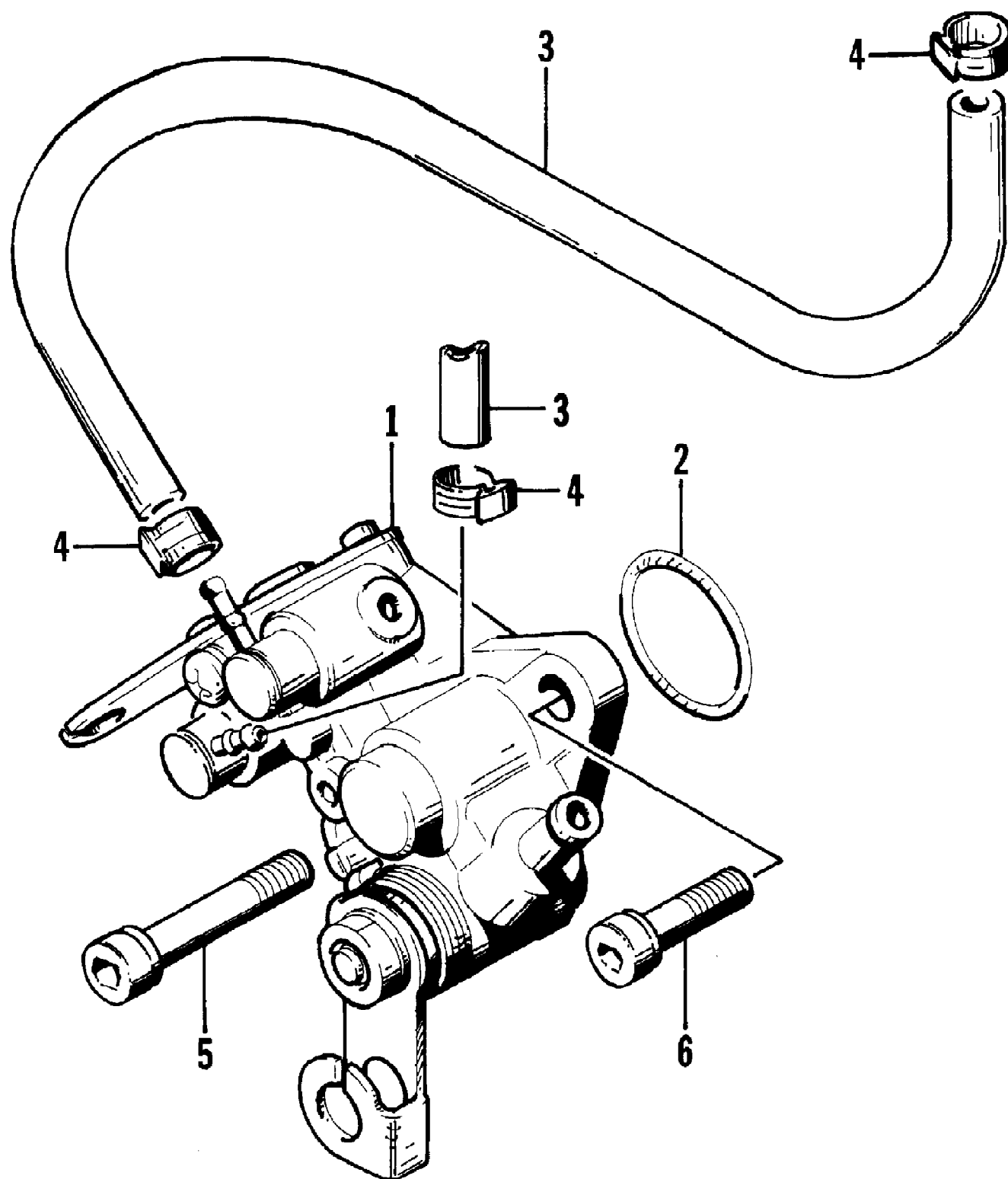
1997 DAYTONA 700 (97DTA-1997)  
MAGNETO-SIDE CARBURETOR



1997 DAYTONA 700 (97DTA-1997)  
MAGNETO-SIDE CARBURETOR

Page 38 of 60

| Ref # | Part Number | Qty | S/P/F | Description                              |
|-------|-------------|-----|-------|--|
|       | 0670-670    | 1   |       | Complete Ass'y (Inc. Mag and PTO Carbs.) |
| 1     | 6505-915    | 4   |       | Screw, Cap                               |
| 2     | 6505-662    | 1   |       | Cover, Diaphragm                         |
| 3     | 6505-663    | 1   |       | Diaphragm Assembly                       |
| 4     | 6505-692    | 1   |       | Screw, Machine                           |
| 5     | 6505-664    | 1   |       | Arm                                      |
| 6     | 6505-934    | 1   |       | Spring                                   |
| 7     | 6505-695    | 1   |       | Screw, Machine                           |
| 8     | 6505-682    | 1   |       | Plate                                    |
| 9     | 6505-944    | 1   |       | Needle Valve Assembly                    |
| 10    | 0           | 1   | F     | Mixing Body                              |
| 11    | 6505-681    | 1   |       | Pin                                      |
| 12    | 6505-679    | 2   |       | Screw, Machine                           |
| 13    | 6505-680    | 1   |       | Block, Metering                          |
| 14    | 6505-677    | 1   |       | Gasket                                   |
| 15    | 6505-737    | 1   |       | Main Jet - 120                           |
| 16    | 6505-777    | 1   |       | Jet, Low Speed - 60                      |
| 17    | 6505-668    | 1   |       | Seal                                     |
| 18    | 6505-661    | 1   |       | Washer                                   |
| 19    | 6505-660    | 1   |       | Spring                                   |
| 20    | 6505-852    | 1   |       | Adjuster                                 |
| 21    | 6505-936    | 1   |       | Hose Assembly                            |
| 22    | 6505-911    | 1   |       | Nut                                      |
| 23    | 6505-923    | 1   |       | Bracket, Cable                           |
| 24    | 6505-678    | 1   |       | Spring                                   |
| 25    | 6505-703    | 1   |       | Washer                                   |
| 26    | 6505-872    | 1   | /P    | O-Ring                                   |
| 27    | 6505-676    | 1   |       | Filter                                   |
| 28    | 6505-665    | 1   |       | S-Gasket                                 |
| 29    | 6505-937    | 1   |       | Main Jet - Fixed                         |
| 30    | 6505-912    | 1   |       | Screw Assembly                           |
| 31    | 6505-042    | 1   |       | O-Ring                                   |
| 32    | 6505-656    | 1   | /P    | Diaphragm, Damper                        |
| 33    | 6505-652    | 1   |       | Cover, Pump                              |
| 34    | 6505-938    | 4   |       | Screw w/Washer                           |
| 35    | 0670-763    | 1   |       | Carburetor Assembly - Mag                |
| 36    | 6505-653    | 1   |       | Gasket                                   |
| 37    | 6505-654    | 1   |       | Diaphragm, Pump                          |
| 38    | 6505-683    | 1   |       | O-Ring                                   |
| 39    | 0           | 2   | F     | Grommet                                  |
| 40    | 0           | 2   | F     | Valve                                    |
| 41    | 6505-924    | 1   |       | Body Assembly, Diaphragm                 |

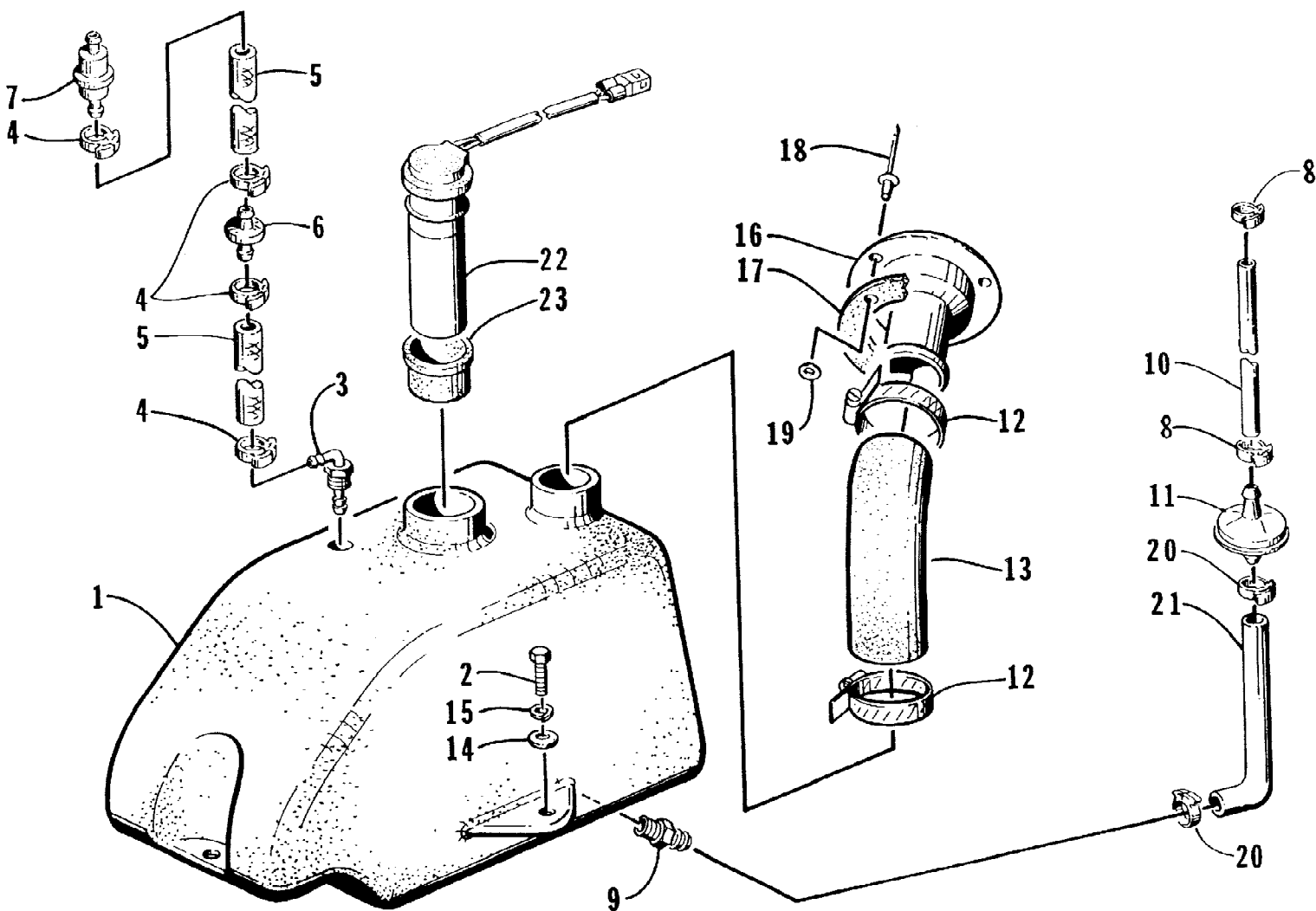


1997 DAYTONA 700 (97DTA-1997)  
OIL PUMP

Page 40 of 60

| Ref # | Part Number | Qty | S/P/F | Description       |
|-------|-------------|-----|-------|-------------------|
| 1     | 3008-435    | 1   |       | Oil Pump Assembly |
| 2     | 3008-030    | 1   |       | O-Ring            |
| 3     | 3008-035    | 2   | /P    | Hose              |
| 4     | 3008-037    | 4   | /P    | Clamp             |
| 5     | 3008-242    | 1   |       | Screw, Cap        |
| 6     | 3008-243    | 1   |       | Screw, Cap        |

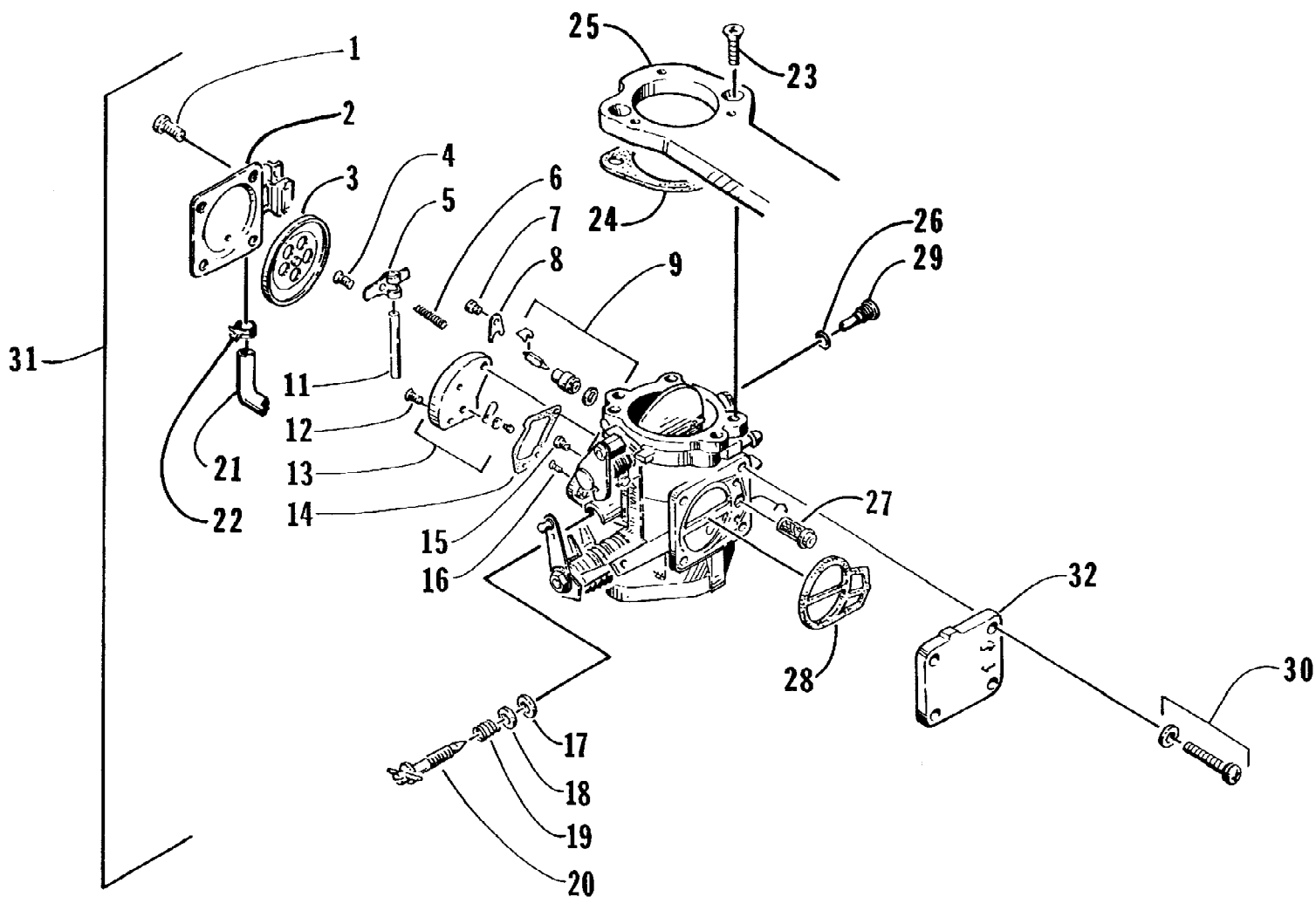




1997 DAYTONA 700 (97DTA-1997)  
OIL TANK ASSEMBLY

Page 42 of 60

| Ref # | Part Number | Qty | S/P/F | Description                |
|-------|-------------|-----|-------|----------------------------|
| 1     | 0670-580    | 1   | S     | Tank, Oil                  |
| 2     | 0624-046    | 3   |       | Screw, Cap                 |
| 3     | 0115-607    | 1   | S     | Outlet, Tank               |
| 4     | 0624-120    | 4   |       | Clamp, Hose                |
| 5     | 0610-107    | 0   |       | Hose, Gas - 25 ft          |
| 6     | 0610-059    | 1   |       | Valve, Check               |
| 7     | 0510-335    | 1   | /P    | Filter, Fuel               |
| 8     | 0123-045    | 2   |       | Clamp, Hose                |
| 9     | 0670-718    | 1   |       | Fitting, Tank              |
| 10    | 0610-008    | 0   | /P    | Hose, Oil - 25 ft          |
| 11    | 1673-336    | 1   |       | Filter, Oil                |
| 12    | 0624-019    | 2   |       | Clamp, Hose                |
| 13    | 0610-292    | 1   |       | Hose, Filler               |
| 14    | 0624-182    | 6   |       | Washer                     |
| 15    | 0624-036    | 3   |       | Washer, Lock               |
| 16    | 0670-697    | 1   |       | Filler, Oil - Assembly     |
| 17    | 0670-679    | 1   |       | Seal, Oil Filler           |
| 18    | 8060-633    | 3   | /P    | Rivet                      |
| 19    | 0623-603    | 3   |       | Washer                     |
| 20    | 0623-486    | 2   |       | Clamp, Hose                |
| 21    | 0610-018    | 0   | /P    | Hose, Oil - 15 ft          |
| 22    | 0620-196    | 1   | S     | Sensor, Oil Level          |
| 23    | 0609-237    | 1   |       | Seal, Grommet - Oil Sensor |



1997 DAYTONA 700 (97DTA-1997)  
PTO-SIDE CARBURETOR

Page 44 of 60

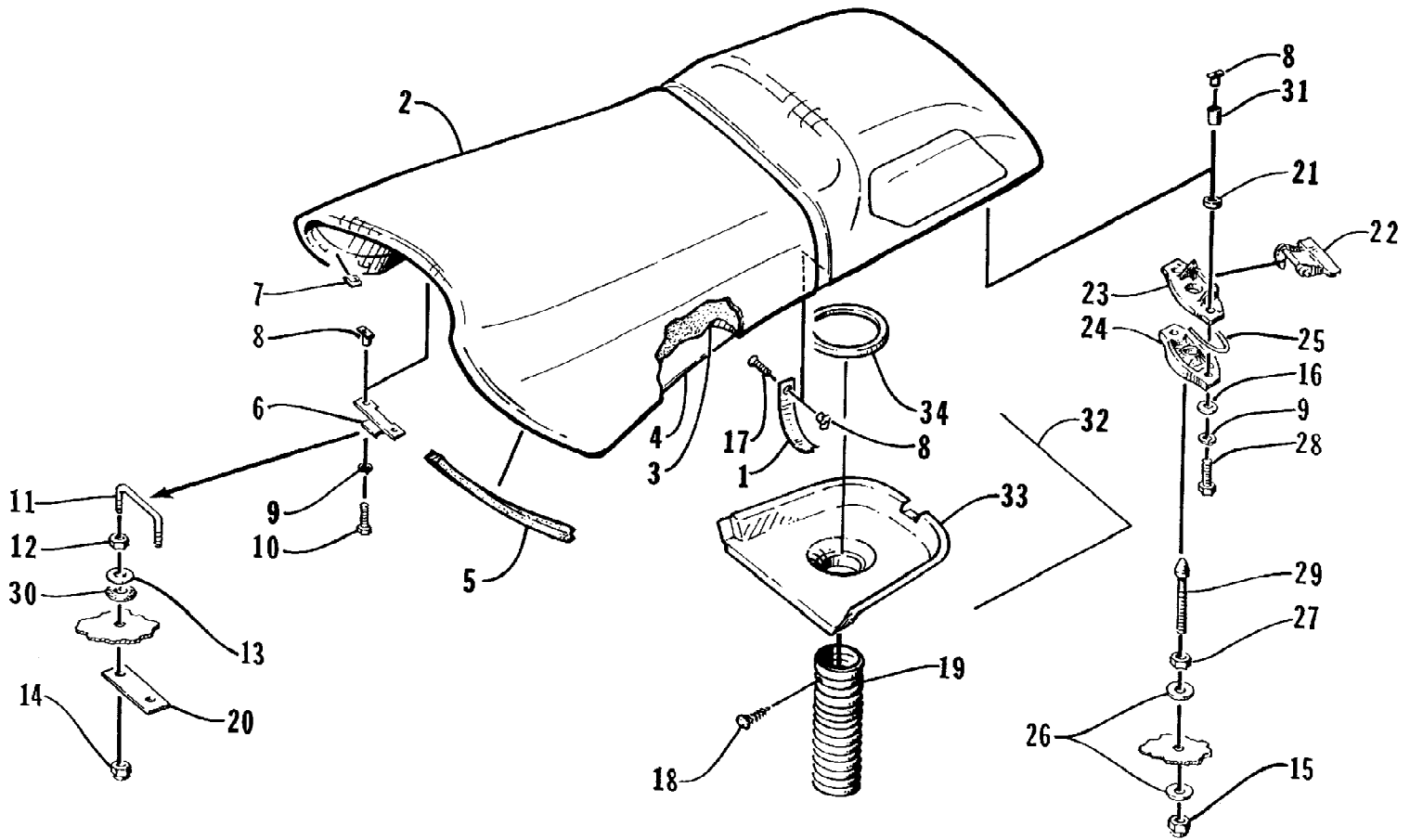
| Ref # | Part Number | Qty | S/P/F | Description                              |
|-------|-------------|-----|-------|--|
|       | 0670-670    | 1   |       | Complete Ass'y (Inc. Mag and PTO Carbs.) |
| 1     | 6505-943    | 4   |       | Screw, Cap                               |
| 2     | 6505-940    | 1   |       | Cover, Diaphragm Assembly                |
| 3     | 6505-663    | 1   |       | Diaphragm Assembly                       |
| 4     | 6505-692    | 1   |       | Screw, Machine                           |
| 5     | 6505-664    | 1   |       | Arm                                      |
| 6     | 6505-934    | 1   |       | Spring                                   |
| 7     | 6505-695    | 1   |       | Screw, Machine                           |
| 8     | 6505-682    | 1   |       | Plate                                    |
| 9     | 6505-944    | 1   |       | Needle Valve Assembly                    |
| 10    | 0           | 1   | F     | Mixing Body                              |
| 11    | 6505-681    | 1   |       | Pin                                      |
| 12    | 6505-679    | 2   |       | Screw, Machine                           |
| 13    | 6505-680    | 1   |       | Block, Metering                          |
| 14    | 6505-677    | 1   |       | Gasket                                   |
| 15    | 6505-737    | 1   |       | Main Jet - 120                           |
| 16    | 6505-770    | 1   |       | Jet, Low Speed - 60                      |
| 17    | 6505-668    | 1   |       | Seal                                     |
| 18    | 6505-661    | 1   |       | Washer                                   |
| 19    | 6505-660    | 1   |       | Spring                                   |
| 20    | 6505-852    | 1   |       | Adjuster                                 |
| 21    | 6505-942    | 1   |       | Hose                                     |
| 22    | 6505-941    | 2   |       | Clip                                     |
| 23    | 6505-914    | 4   |       | Screw, Cap                               |
| 24    | 6505-916    | 2   |       | Gasket                                   |
| 25    | 6505-926    | 1   |       | Flange                                   |
| 26    | 6505-042    | 1   |       | O-Ring                                   |
| 27    | 6505-676    | 1   |       | Filter                                   |
| 28    | 6505-665    | 1   |       | S-Gasket                                 |
| 29    | 6505-937    | 1   |       | Main Jet                                 |
| 30    | 6505-853    | 4   |       | Screw w/Washer                           |
| 31    | 0670-777    | 1   |       | Carburetor Assembly - PTO                |
| 32    | 6505-848    | 1   |       | Cover                                    |

No  
Diagram  
Available  
  
Parts List  
Only

1997 DAYTONA 700 (97DTA-1997)  
RELATED ITEMS

Page 46 of 60

| Ref # | Part Number | Qty | S/P/F | Description                       |
|-------|-------------|-----|-------|-----------------------------------|
|       | 0678-051    | 1   | S     | Anchor w/Float and Mooring Rope   |
|       | 0678-132    | 1   | S     | Anchor Bag                        |
|       | 0678-063    | 1   |       | Battery Charger Kit               |
|       | 0678-380    | 1   |       | Buoy Set                          |
|       | 0678-359    | 1   |       | CDI, Hi Rev                       |
|       | 0678-352    | 1   | S     | Cover, Premium                    |
|       | 0673-093    | 1   | S     | Fire Extinguisher                 |
|       | 0678-274    | 1   |       | Flush Kit                         |
|       | 0678-129    | 1   | /P    | Fold-Up Sharkstand                |
|       | 0678-316    | 1   |       | Gel-Coat Kit - Multi-Color        |
|       | 0678-348    | 1   |       | Grease Gun Kit                    |
|       | 0678-136    | 1   |       | Grips, Handlebar - Red            |
|       | 0678-252    | 1   | /P    | Handlebar Bag - Red               |
|       | 0678-064    | 1   |       | Horn Kit                          |
|       | 0678-362    | 1   |       | Hourmeter                         |
|       | 0678-364    | 1   | /P    | Lanyard - Red                     |
|       | 0678-180    | 1   |       | Lift Harness                      |
|       | 2255-673    | 1   |       | Manual, Operator's                |
|       | 2255-688    | 1   |       | Manual, Parts                     |
|       | 2255-690    | 1   |       | Manual, Service                   |
|       | 0678-358    | 1   |       | Mooring Rope - Black              |
|       | 0678-357    | 1   |       | Mooring Rope - Dark Blue          |
|       | 0678-056    | 1   | S     | Mooring Rope - Lavender           |
|       | 0678-052    | 1   | /P    | Mooring Rope - Purple             |
|       | 0678-054    | 1   |       | Mooring Rope - Red                |
|       | 0678-055    | 1   |       | Mooring Rope - Silver             |
|       | 0678-053    | 1   |       | Mooring Rope - Teal               |
|       | 0678-189    | 1   | /P    | Nylon Rope - Purple               |
|       | 0652-041    | 1   |       | Paint, Touch-Up - Red             |
|       | 0678-185    | 1   |       | Plug Caddy - Purple               |
|       | 0678-149    | 1   |       | Plug Caddy - Rivet-On             |
|       | 0678-360    | 1   |       | Registration Letters - Gold/Black |
|       | 0678-361    | 1   |       | Registration Letters - Red/Black  |
|       | 0678-224    | 1   |       | Spark Plug Caps - Red             |
|       | 0678-135    | 1   |       | Start/Stop Switch Lock            |
|       | 0678-374    | 1   |       | StorTechO Plugs                   |
|       | 0678-045    | 1   | /P    | Tie Stake                         |
|       | 0678-372    | 1   |       | Tiedown Strap - Red               |
|       | 0678-105    | 1   |       | Tool Kit                          |

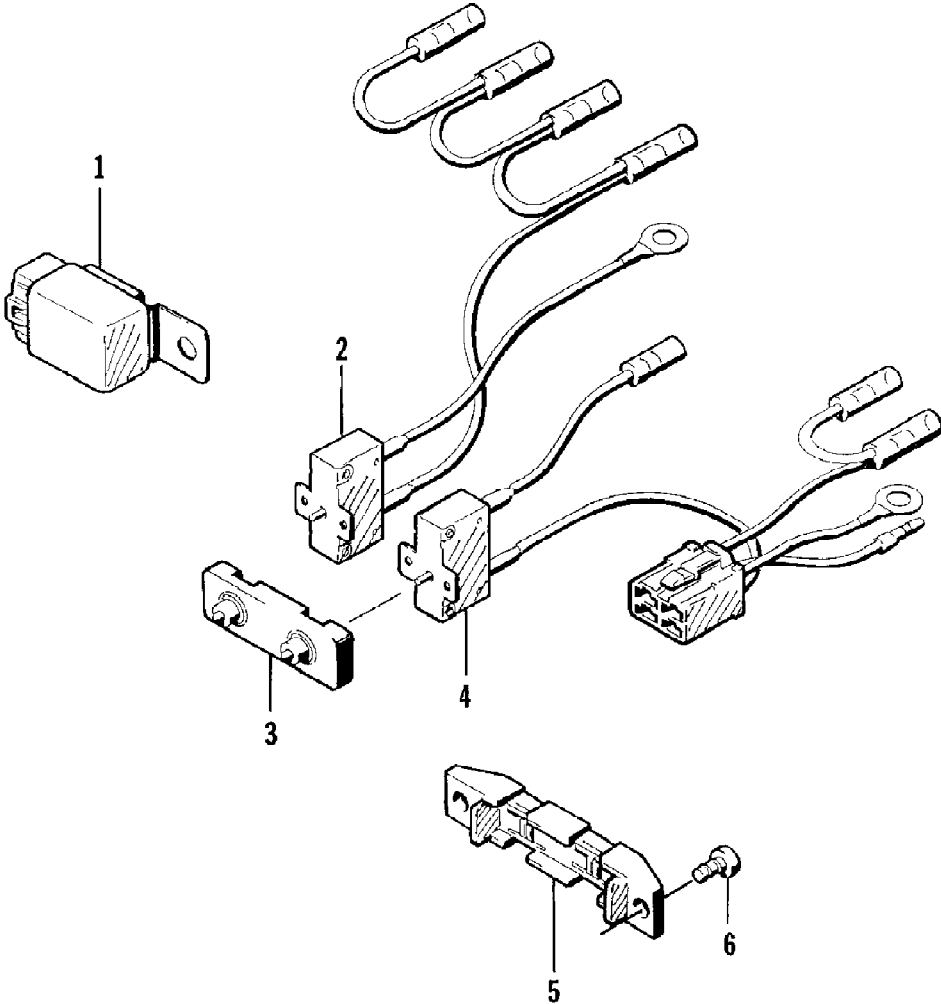


1997 DAYTONA 700 (97DTA-1997)  
SEAT ASSEMBLY

Page 48 of 60

| Ref # | Part Number | Qty | S/P/F | Description                        |
|-------|-------------|-----|-------|------------------------------------|
|       | 0773-845    | 1   |       | Complete Seat Assembly             |
| 1     | 0773-612    | 1   |       | Strap, Seat                        |
| 2     | 0773-846    | 1   |       | Cover, Seat w/Silkscreen           |
| 3     | 0773-611    | 1   |       | Foam, Seat                         |
| 4     | 1673-039    | 1   |       | Base, Seat                         |
| 5     | 1673-396    | 1   |       | Seal, Seat Base                    |
| 6     | 0673-668    | 1   |       | Catch, Seat                        |
| 7     | 0624-094    | 0   |       | Staple                             |
| 8     | 0624-396    | 6   |       | Nut                                |
| 9     | 0624-036    | 4   |       | Washer, Lock                       |
| 10    | 0624-046    | 2   |       | Screw, Cap                         |
| 11    | 0624-262    | 1   | F     | U-Bolt, Seat                       |
| 12    | 0624-061    | 2   | F     | Nut                                |
| 13    | 0624-125    | 2   | /P/F  | Washer                             |
| 14    | 0624-090    | 2   | F     | Nut, Lock                          |
| 15    | 0624-009    | 1   | F     | Nut, Lock                          |
| 16    | 0624-022    | 2   |       | Washer                             |
| 17    | 0624-272    | 2   |       | Screw, Machine                     |
| 18    | 0606-586    | 3   | F     | Clip, Retaining                    |
| 19    | 0610-261    | 1   | F     | Hose, Air Exhaust                  |
| 20    | 0673-752    | 1   | F     | Plate, Backing                     |
| 21    | 0624-381    | 2   |       | Spacer, Seat Latch                 |
| 22    | 0673-026    | 1   |       | Lever, Release - Seat Latch        |
| 23    | 0673-024    | 1   | S     | Cover, Latch - Seat                |
| 24    | 0673-025    | 1   |       | Back, Latch - Seat                 |
| 25    | 0673-023    | 1   |       | Clip, Retaining                    |
| 26    | 0624-013    | 2   | F     | Washer                             |
| 27    | 0624-047    | 1   | F     | Nut                                |
| 28    | 0624-302    | 2   |       | Screw, Cap                         |
| 29    | 1673-383    | 1   | /P/F  | Stud, Latch - Seat                 |
| 30    | 0624-126    | 2   | F     | Washer, Rubber                     |
| 31    | 0623-698    | 2   |       | Spacer, Seat Latch                 |
| 32    | 0773-302    | 1   | F     | Vent, Seat - Assembly (inc. 33-34) |
| 33    | 1673-203    | 1   | F     | Vent, Seatbase                     |
| 34    | 1673-397    | 1   | F     | Seal, Vent - Seatbase              |





1997 DAYTONA 700 (97DTA-1997)  
SENSOR ASSEMBLY

Page 50 of 60

| Ref # | Part Number | Qty | S/P/F | Description               |
|-------|-------------|-----|-------|---------------------------|
| 1     | 3008-297    | 1   | /P    | Relay - Assembly          |
| 2     | 3008-348    | 1   | S     | Protector, Circuit Charge |
| 3     | 3008-351    | 1   |       | Cap, Circuit Protector    |
| 4     | 3008-350    | 1   | /P    | Protector, Circuit Load   |
| 5     | 3008-294    | 1   | /P    | Holder, Circuit Protector |
| 6     | 3008-313    | 2   |       | Screw, Cap                |

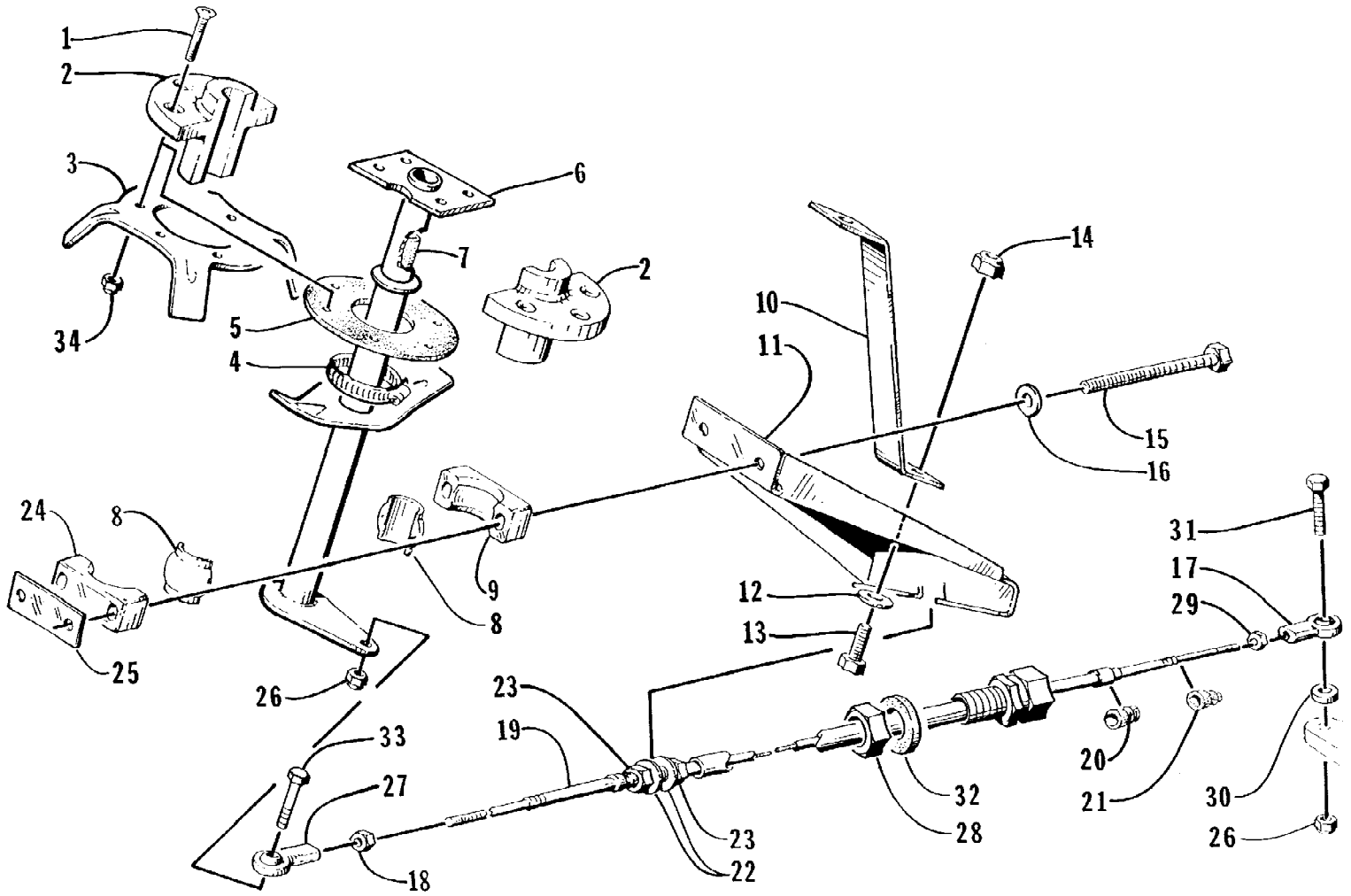


1997 DAYTONA 700 (97DTA-1997)  
STARTER MOTOR

Page 52 of 60

| Ref # | Part Number | Qty | S/P/F | Description                        |
|-------|-------------|-----|-------|------------------------------------|
| 1     | 3008-462    | 1   |       | Starter Motor Assembly (inc. 2-11) |
| 2     | 3008-094    | 1   | /P    | Terminal Set, Brush (inc. 3)       |
| 3     | 3008-164    | 1   |       | O-Ring                             |
| 4     | 3008-095    | 1   | /P    | Holder Set, Brush (inc. 5)         |
| 5     | 3008-096    | 4   |       | Spring, Brush                      |
| 6     | 3008-328    | 1   | /P    | Front Bracket Assembly (inc. 7)    |
| 7     | 3008-363    | 1   | /P    | O-Ring                             |
| 8     | 3008-099    | 2   |       | Washer Set                         |
| 9     | 3008-101    | 2   | S     | O-Ring                             |
| 10    | 3008-103    | 1   |       | Armature                           |
| 11    | 3008-102    | 2   |       | Cap, Screw                         |
| 12    | 3008-387    | 1   | /P    | Pinion Assembly                    |
| 13    | 3008-463    | 2   |       | Screw, Cap                         |
| 14    | 3008-014    | 1   |       | Nut                                |
| 15    | 3008-020    | 1   |       | Washer                             |
| 16    | 3008-165    | 1   | /P    | Relay                              |
| 17    | 3008-140    | 1   |       | Bracket                            |
| 18    | 3008-313    | 1   |       | Screw, Cap                         |
| 19    | 3008-135    | 1   | S     | Tube                               |
| 20    | 3008-480    | 2   | /P    | Washer                             |
| 21    | 3008-221    | 1   |       | Washer                             |

1997 DAYTONA 700 (97DTA-1997)  
STEERING POST ASSEMBLY

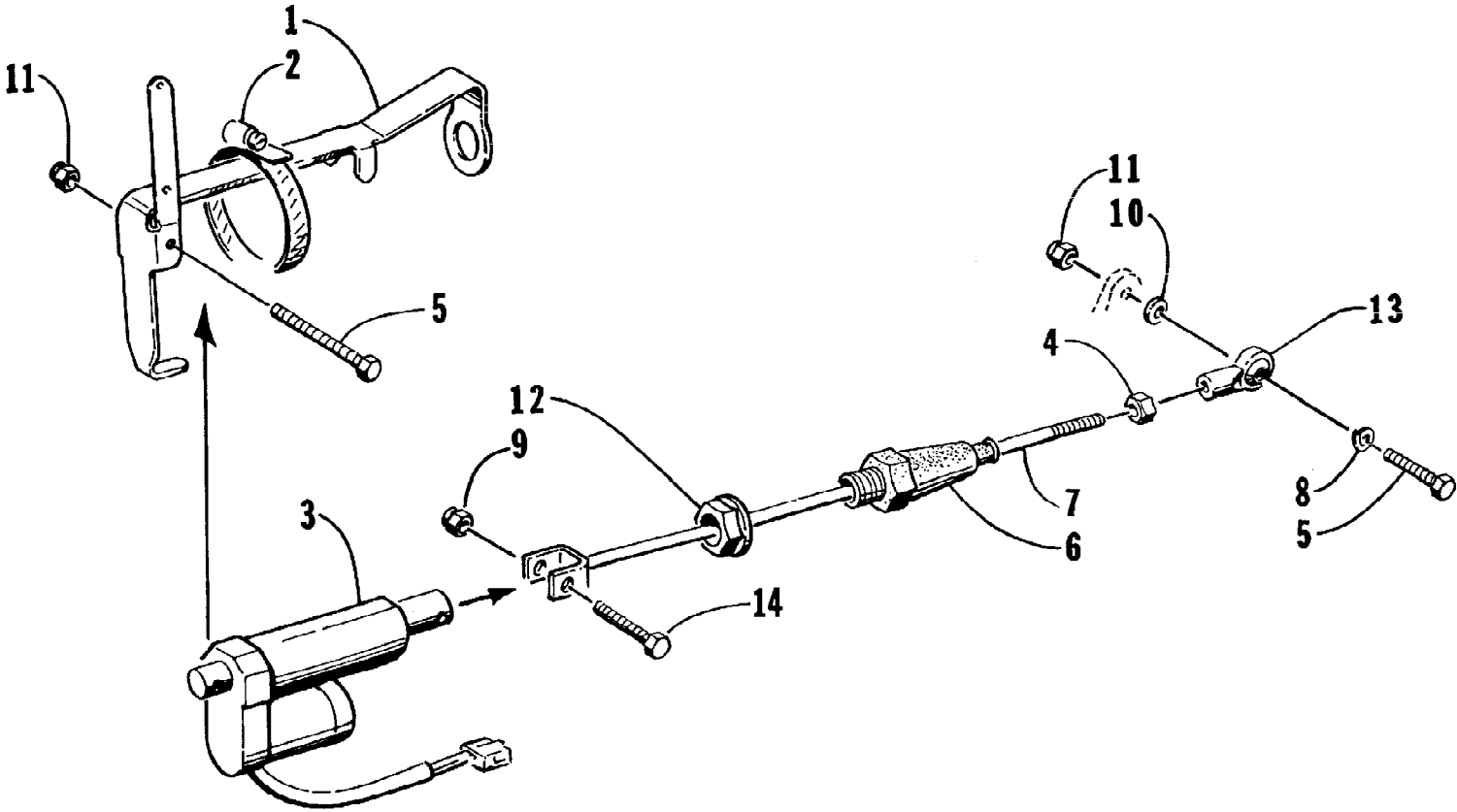


1997 DAYTONA 700 (97DTA-1997)  
STEERING POST ASSEMBLY

Page 54 of 60

| Ref # | Part Number | Qty | S/P/F | Description                        |
|-------|-------------|-----|-------|------------------------------------|
| 1     | 0624-186    | 6   |       | Screw, Machine                     |
| 2     | 1673-405    | 2   |       | Bearing, Half-Steering Post        |
| 3     | 1673-315    | 1   |       | Plate, Backing                     |
| 4     | 0624-019    | 2   |       | Clamp                              |
| 5     | 0673-056    | 1   |       | Seal, Bearing                      |
| 6     | 0773-603    | 1   |       | Post, Steering                     |
| 7     | 0717-052    | 0   | /P    | Foam, Neoprene Tape                |
| 8     | 0605-149    | 2   |       | Bearing, Steering Post             |
| 9     | 0605-171    | 1   |       | Housing, Bearing                   |
| 10    | 1673-026    | 1   |       | Bracket, Support                   |
| 11    | 0773-602    | 1   |       | Bracket, Steering Cable            |
| 12    | 0624-125    | 1   | /P    | Washer                             |
| 13    | 0624-229    | 1   |       | Screw, Cap                         |
| 14    | 0624-090    | 1   |       | Nut, Lock                          |
| 15    | 0624-192    | 2   |       | Screw, Cap                         |
| 16    | 0624-125    | 2   | /P    | Washer                             |
| 17    | 0673-932    | 1   |       | End, Steering Cable                |
| 18    | 0624-107    | 1   |       | Nut                                |
| 19    | 1673-355    | 1   |       | Cable, Steering                    |
| 20    | 0612-363    | 1   |       | Seal, Rod                          |
| 21    | 0612-364    | 1   |       | Cover, Thread Cap - Steering Cable |
| 22    | 0624-411    | 2   |       | Washer                             |
| 23    | 0624-105    | 2   |       | Nut                                |
| 24    | 0705-064    | 1   | /P    | Housing, Bearing                   |
| 25    | 0673-366    | 1   |       | Spacer, Bearing Housing            |
| 26    | 0624-089    | 2   |       | Nut, Lock                          |
| 27    | 0673-931    | 1   |       | End, Steering Cable                |
| 28    | 0623-669    | 1   |       | Nut                                |
| 29    | 0624-279    | 1   |       | Nut                                |
| 30    | 0624-381    | 1   |       | Spacer                             |
| 31    | 0624-290    | 1   |       | Screw, Cap                         |
| 32    | 1673-193    | 1   |       | Gasket, Cable - Foam               |
| 33    | 0624-289    | 1   |       | Screw, Cap                         |
| 34    | 0624-250    | 6   |       | Nut, Lock                          |

1997 DAYTONA 700 (97DTA-1997)  
TRIM ASSEMBLY

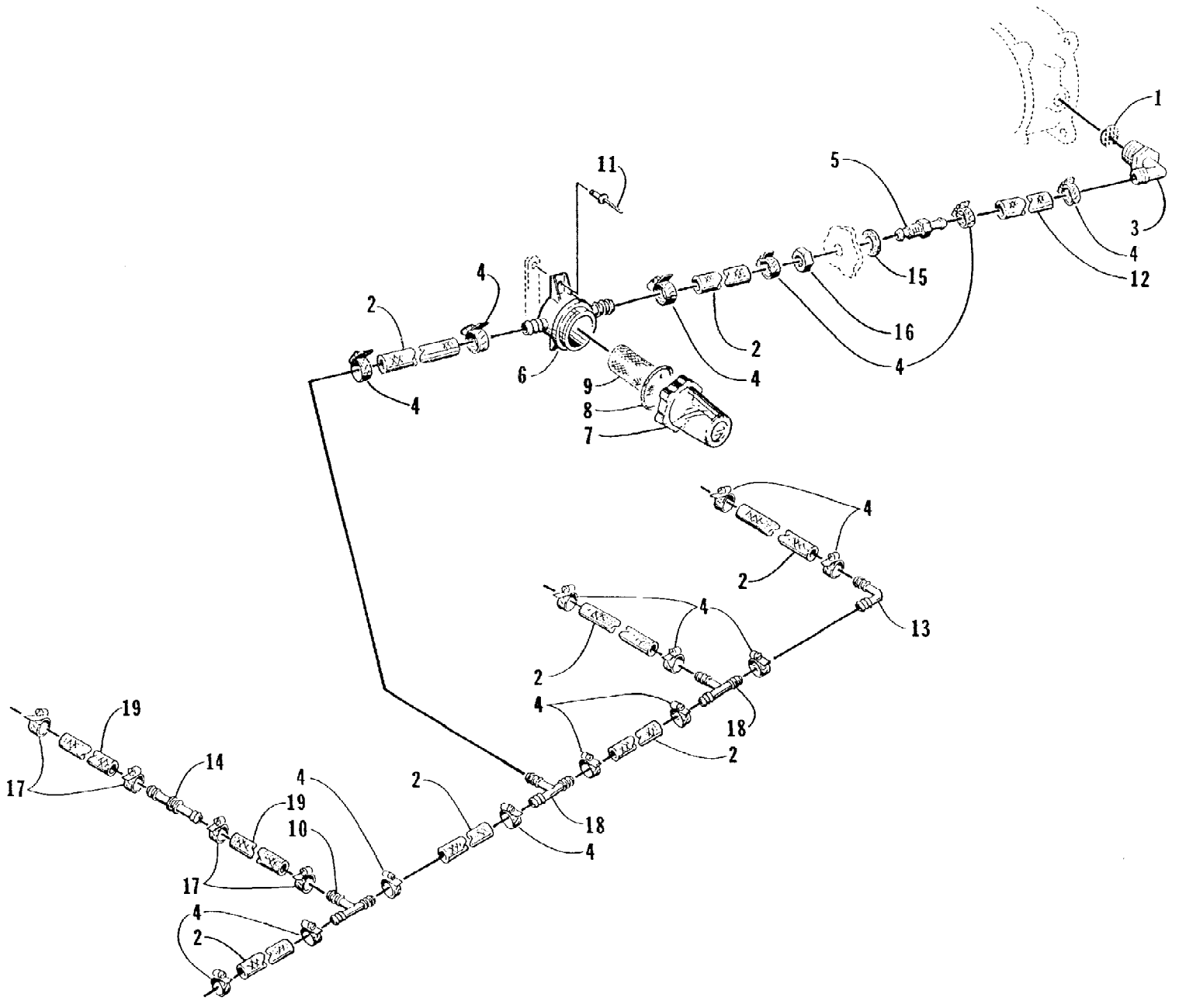


1997 DAYTONA 700 (97DTA-1997)  
TRIM ASSEMBLY

Page 56 of 60

| Ref # | Part Number | Qty | S/P/F | Description                    |
|-------|-------------|-----|-------|--------------------------------|
| 1     | 1673-376    | 1   |       | Bracket, Mounting - Trim Motor |
| 2     | 0624-019    | 1   |       | Clamp                          |
| 3     | 1673-291    | 1   |       | Actuator, Trim                 |
| 4     | 0624-279    | 1   |       | Nut                            |
| 5     | 0624-231    | 2   |       | Screw, Cap                     |
| 6     | 1673-371    | 1   |       | Boot, Trim Rod                 |
| 7     | 0773-864    | 1   |       | Rod, Trim                      |
| 8     | 0624-115    | 1   |       | Washer, Lock                   |
| 9     | 0624-250    | 1   |       | Nut, Lock                      |
| 10    | 1673-049    | 1   |       | Spacer                         |
| 11    | 0624-089    | 2   |       | Nut, Lock                      |
| 12    | 0623-648    | 1   |       | Nut                            |
| 13    | 0673-932    | 1   |       | Rod End                        |
| 14    | 0624-056    | 1   |       | Screw, Cap                     |



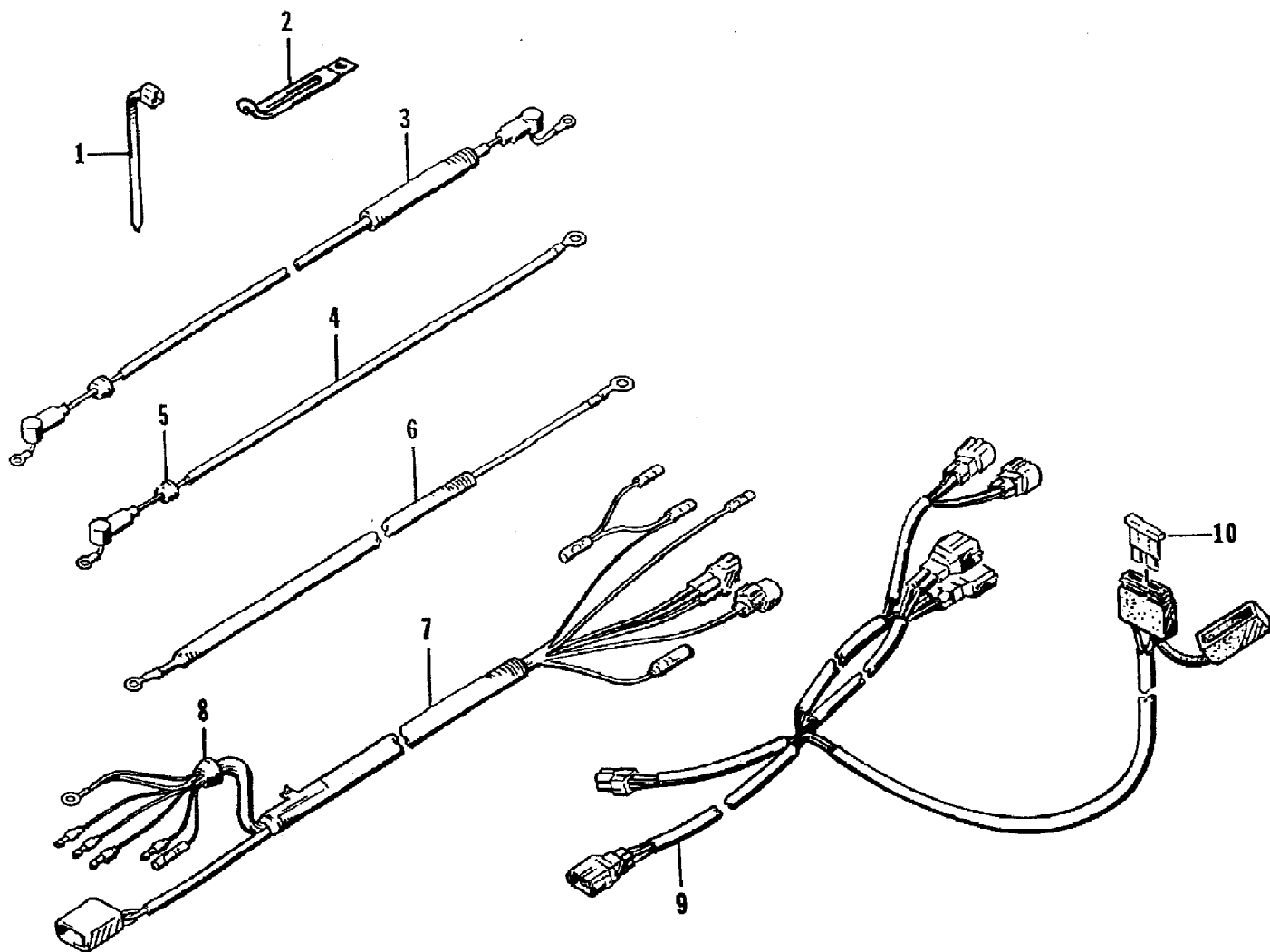


1997 DAYTONA 700 (97DTA-1997)  
WATER FILTER ASSEMBLY

Page 58 of 60

| Ref # | Part Number | Qty | S/P/F | Description                       |
|-------|-------------|-----|-------|-----------------------------------|
| 1     | 0675-042    | 1   |       | Screen                            |
| 2     | 0710-190    | 0   |       | Hose, Water - 25 ft               |
| 3     | 1673-158    | 1   |       | Fitting, Elbow                    |
| 4     | 0624-016    | 17  |       | Clamp                             |
| 5     | 1673-450    | 1   | /P    | Fitting                           |
| 6     | 1673-161    | 1   |       | Filter, Water Assembly (inc. 7-9) |
| 7     | 0673-669    | 1   |       | Cover                             |
| 8     | 0673-670    | 1   |       | O-Ring                            |
| 9     | 0673-671    | 1   |       | Screen                            |
| 10    | 1673-162    | 1   |       | T-Connection                      |
| 11    | 8060-428    | 2   |       | Rivet                             |
| 12    | 0710-196    | 1   |       | Hose, Water                       |
| 13    | 1673-243    | 1   |       | Fitting, Elbow                    |
| 14    | 1673-170    | 1   |       | Jet, Restrictor - Water           |
| 15    | 1673-193    | 1   |       | Gasket, Foam                      |
| 16    | 0623-648    | 1   |       | Nut                               |
| 17    | 0624-324    | 4   |       | Clamp                             |
| 18    | 1673-163    | 2   |       | T-Connection                      |
| 19    | 0610-183    | 0   |       | Hose, Water - 25 ft               |

1997 DAYTONA 700 (97DTA-1997)  
WIRING HARNESS



1997 DAYTONA 700 (97DTA-1997)  
WIRING HARNESS

Page 60 of 60

| Ref # | Part Number | Qty | S/P/F | Description     |
|-------|-------------|-----|-------|-----------------|
| 1     | 3008-044    | 1   |       | Tie, Cable      |
| 2     | 3008-357    | 2   |       | Clamp           |
| 3     | 3008-466    | 1   |       | Cable           |
| 4     | 3008-345    | 1   | /P    | Cable (inc. 5)  |
| 5     | 3008-334    | 1   | /P    | Grommet         |
| 6     | 3008-467    | 1   |       | Cable, Ground   |
| 7     | 3008-498    | 1   | S     | Harness, Wiring |
| 8     | 3008-362    | 1   | /P    | Grommet         |
| 9     | 0686-430    | 1   |       | Harness, Gauge  |
| 10    | 0630-056    | 1   |       | Fuse, 3 AMP     |