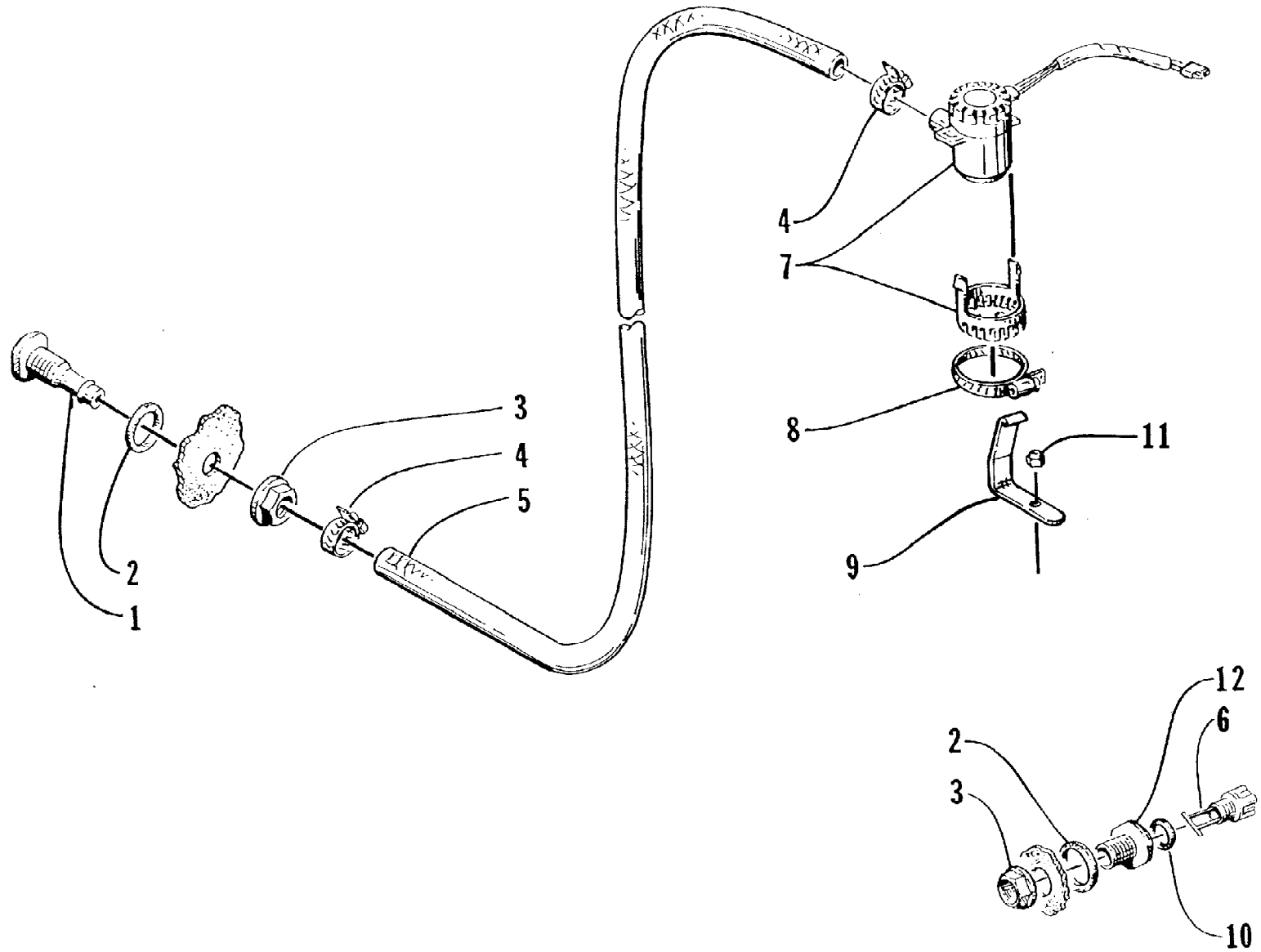


1997 DAYTONA 1000 (97DTB-1997)
BILGE PUMP ASSEMBLY



1997 DAYTONA 1000 (97DTB-1997)
BILGE PUMP ASSEMBLY

Page 2 of 63

Ref #	Part Number	Qty	S/P/F	Description
1	0673-377	1		Fitting, Outlet -Bilge
2	0612-456	2		Seal, Fitting
3	0673-378	2	S	Nut, Fitting
4	0624-018	2		Clamp, Hose
5	0710-201	1		Hose, Bilge
6	0673-404	1		Plug, Drain
7	1673-331	1	S	Pump, Bilge
8	0624-037	1		Clamp
9	1673-337	1		Mount, Bilge Pump
10	0673-459	1		O-Ring
11	0624-250	1		Nut, Lock
12	0673-278	1		Retainer, Drain Plug

1997 DAYTONA 1000 (97DTB-1997)
CARBURETOR

Page 4 of 63

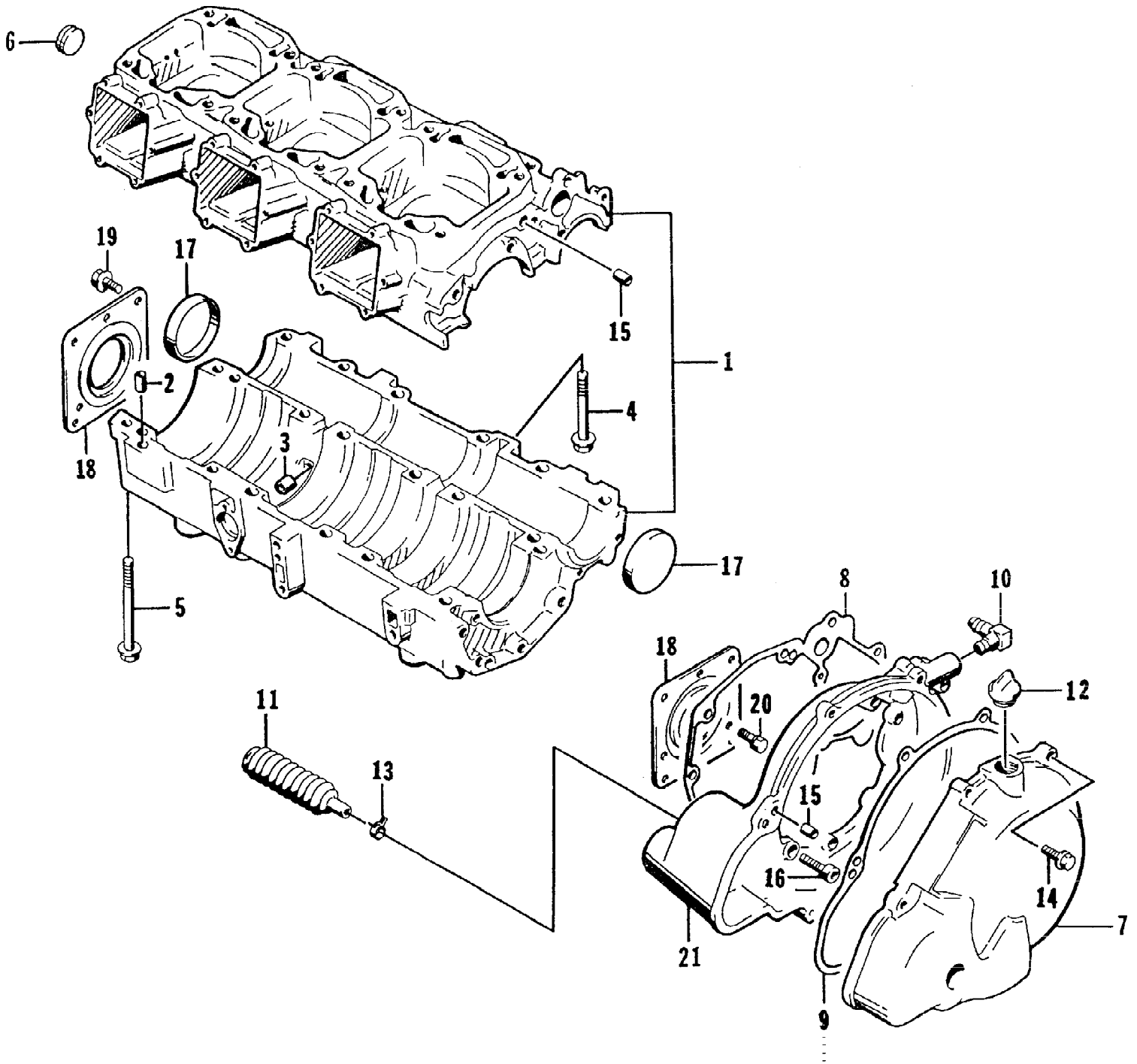
Ref #	Part Number	Qty	S/P/F	Description
	0670-708	1		Complete Assembly (inc. 1-37, 40-47)
1	6505-915	8		Screw, Machine (Mag and Center Carburetor)
1	6505-943	4		Screw, Machine (PTO Carburetor)
2	6505-662	2		Cover (Mag and Center Carburetor)
2	6505-940	1		Cover (PTO Carburetor)
3	6505-663	3		Diaphragm Assembly
4	6505-692	3		Screw, Machine
5	6505-664	3		Arm
6	6505-934	3		Spring
7	6505-695	3		Screw, Machine
8	6505-682	3		Plate
9	6505-944	3		Needle Valve Assembly
10	0	3	F	Mixing Body
11	6505-681	3		Pin
12	6505-679	6		Screw, Machine
13	6505-680	3		Block, Metering
14	6505-677	3		Gasket
15	6505-732	1		Jet, High Speed - 105 (Mag Carburetor)
15	6505-743	1		Jet, High Speed - 135 (Center Carburetor)
15	6505-737	1		Jet, High Speed - 120 (PTO Carburetor)
16	6505-774	1		Jet, Low Speed - 70
17	6505-668	3		Seal
18	6505-661	6		Washer
19	6505-660	3		Spring
20	6505-852	3		Adjuster
21	6505-042	3		O-Ring
22	6505-109	1		Jet, Main Fixed (Mag Carburetor)
22	6505-394	2		Jet Pilot #95 (Center and PTO Carburetor)
23	6505-911	1		Nut
24	6505-912	1		Screw Assembly
25	6505-703	1		Washer
26	6505-872	1	/P	O-Ring
27	6505-676	3		Filter
28	6505-665	3		S-Gasket
29	6505-848	3		Cover Assembly
30	6505-853	12		Screw, Machine
31	6505-678	1		Spring
32	6505-913	1		Bracket, Cable
33	6505-914	6		Screw, Machine
34	6505-939	1		Hose - Assembly
35	6505-917	1		Plate, Mounting
36	6505-941	2		Clip (PTO Carburetor)
37	6505-942	1		Hose (PTO Carburetor)
38	0610-107	0		Hose - 25 ft
39	0109-332	2		T-Connection
40	0670-775	1		Mag Carburetor Assembly (inc. 1-32)
40	0670-774	1		Center Carburetor Assembly (inc. 1-22,27-30)
40	0670-773	1		PTO Carburetor Assembly (inc. 1-22,27-30)
41	6505-916	3		Gasket
42	6505-919	1		Rod Assembly (inc. 43-47)
43	6505-858	2		Rod - End
44	6505-922	1		Rod - Center
45	6505-860			

1997 DAYTONA 1000 (97DTB-1997)
CARBURETOR

Page 5 of 63

Ref #	Part Number	Qty	S/P/F	Description
46	6505-920	2		Nut - Right
47	6505-921	2	/P	Adjuster, Throttle Linkage
48	0624-289	2		Screw, Cap
49	0624-120	14		Clamp
50	0610-107	1		Hose, Impulse
51	0670-573	1		Pump, Fuel
52	0624-022	2		Washer
53	0624-089	2		Nut, Lock

1997 DAYTONA 1000 (97DTB-1997)
CRANKCASE ASSEMBLY

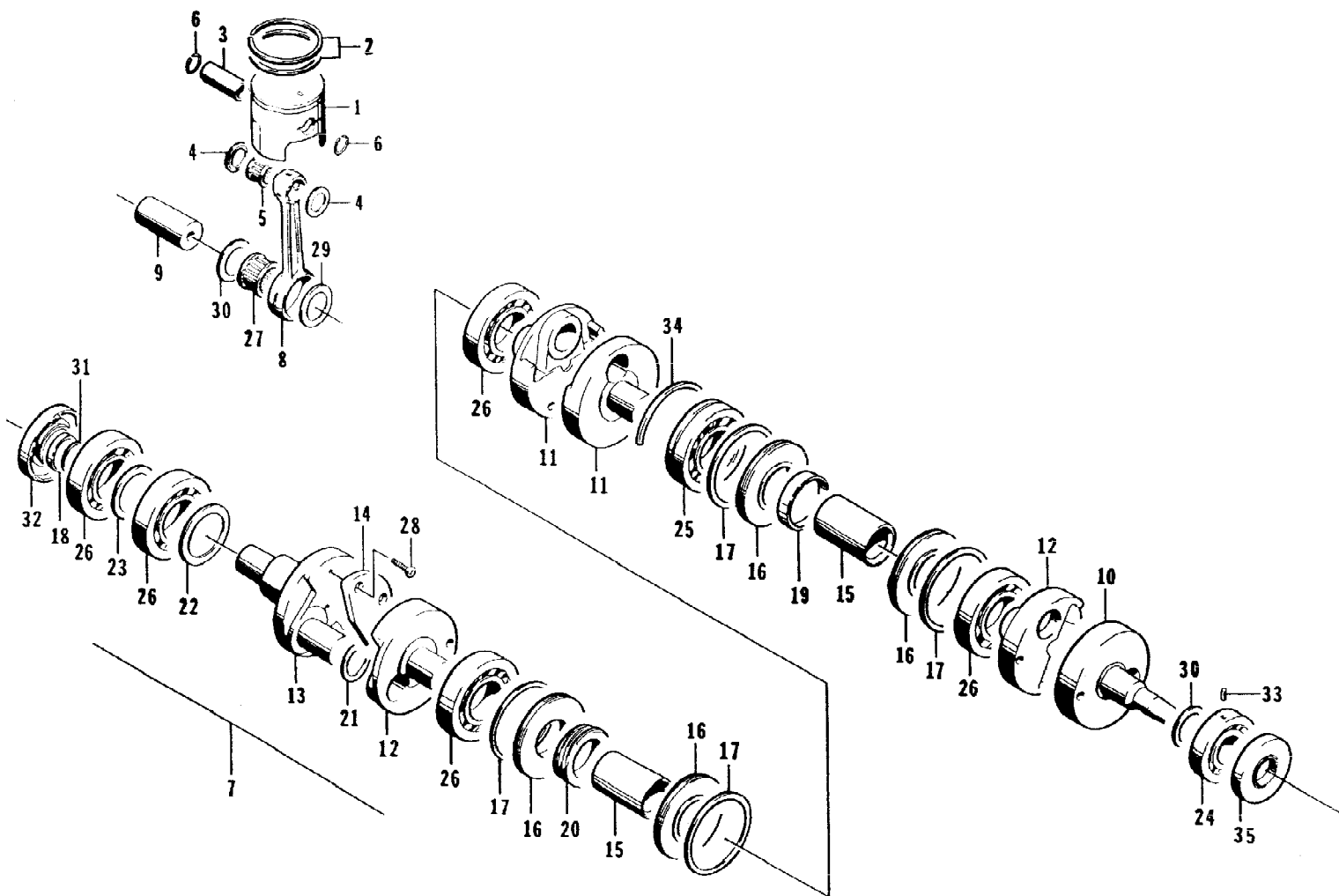


1997 DAYTONA 1000 (97DTB-1997)
CRANKCASE ASSEMBLY

Page 7 of 63

Ref #	Part Number	Qty	S/P/F	Description
1	3008-507	1		Crankcase Assembly (inc. 2-6)
2	3003-646	2		Pin, Knock
3	3003-289	1		Bushing
4	3008-212	6	/P	Screw, Cap
5	3008-301	14		Screw, Cap
6	3008-249	1		Plug, Water Gallery
7	3008-258	1		Cover, Magneto Case
8	3008-259	1	S	Gasket, Magneto Case
9	3008-260	1		Gasket, Magneto Case Cover
10	3008-092	1		Union, Cooling Hose
11	3008-100	1		Bladder
12	3008-023	1		Plug, Timing Hole
13	3008-038	1		Clip
14	3008-213	12	/P	Screw, Cap
15	3002-012	4		Pin, Knock
16	3008-533	6		Screw, Cap
17	3008-502	2	S	Plug, Balancer Shaft
18	3008-304	2	/P	Plate, Oil Seal
19	3008-216	4		Screw, Cap
20	3008-305	3		Screw, Cap
21	3008-257	1		Case, Magneto

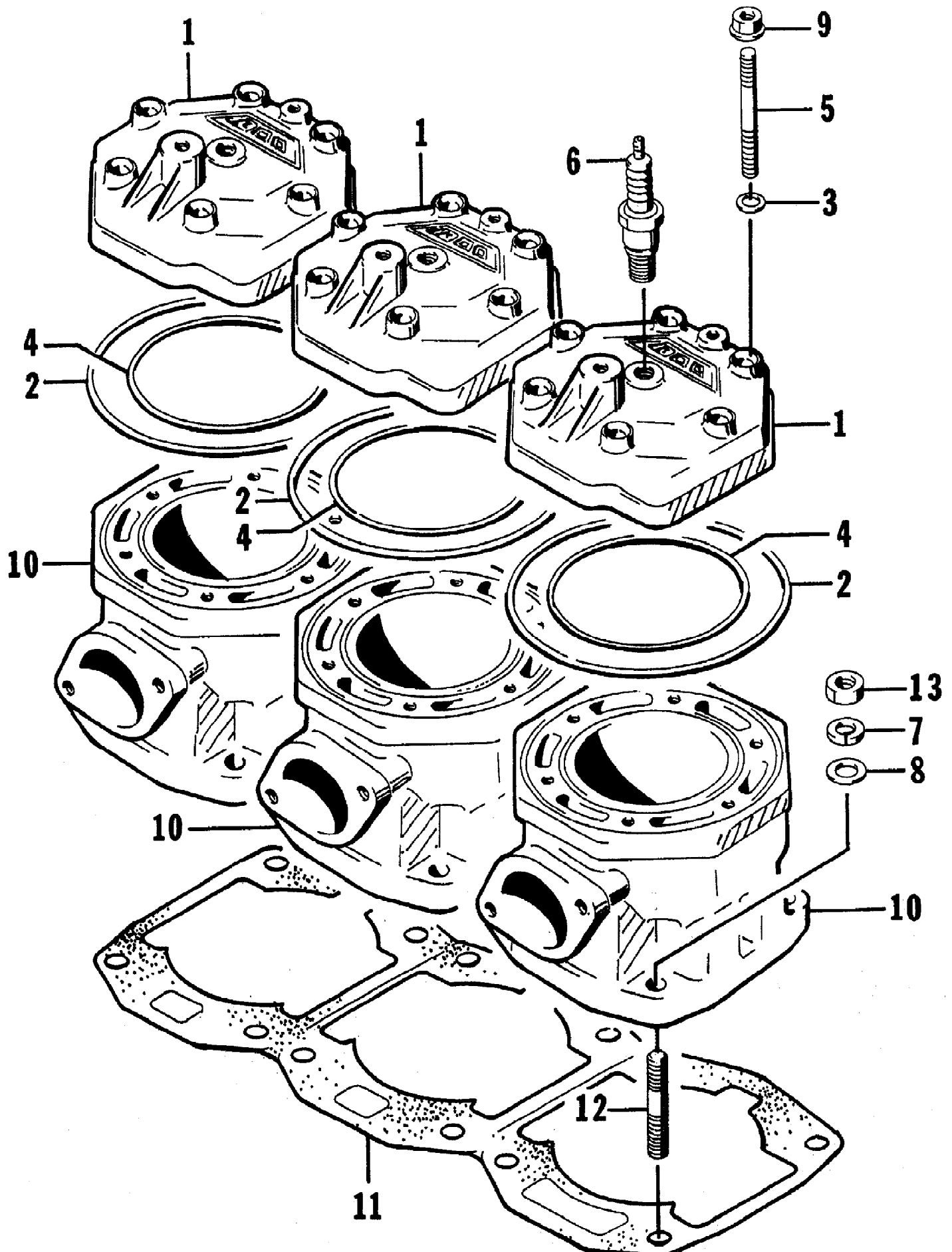
1997 DAYTONA 1000 (97DTB-1997)
CRANKSHAFT ASSEMBLY



1997 DAYTONA 1000 (97DTB-1997)
CRANKSHAFT ASSEMBLY

Page 9 of 63

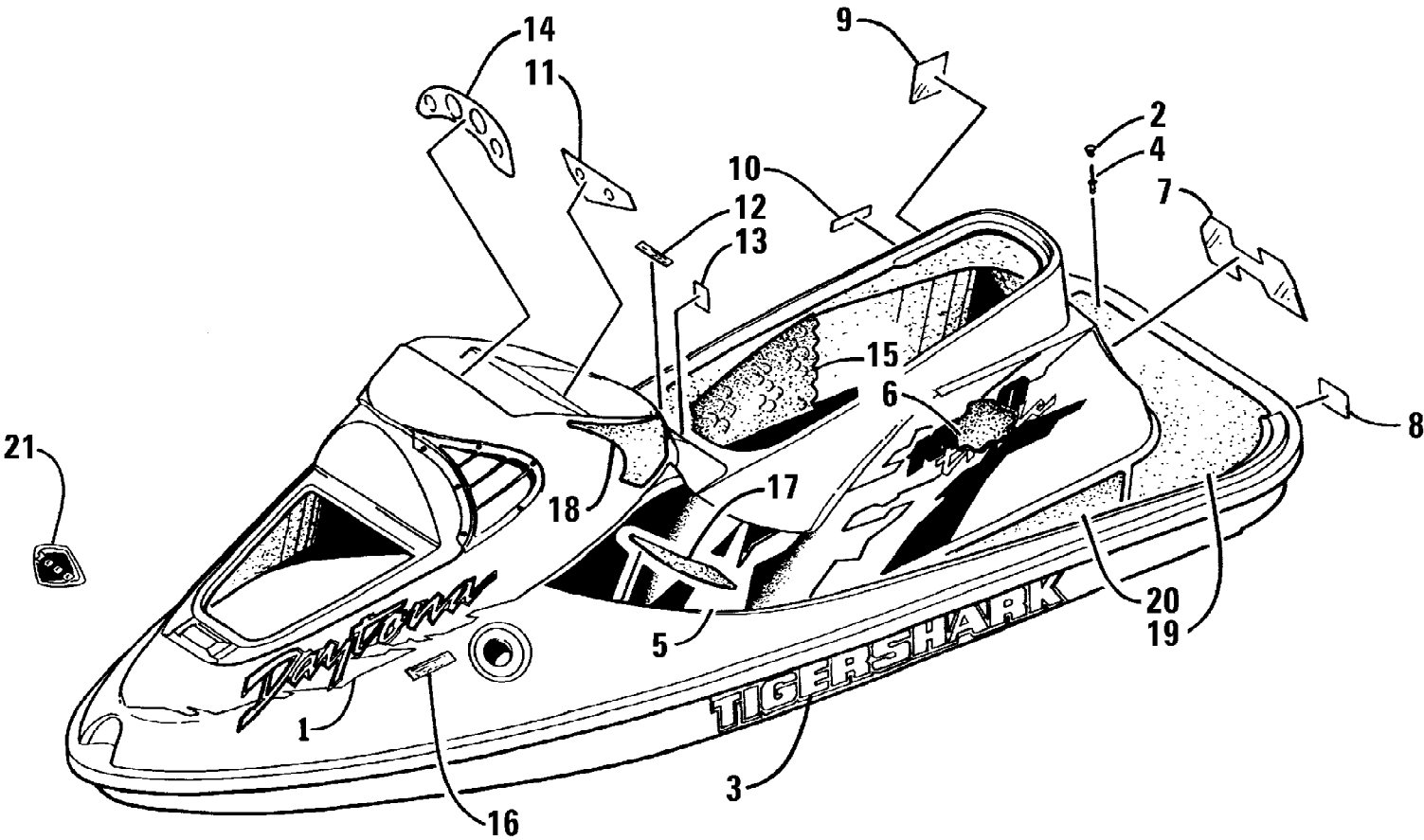
Ref #	Part Number	Qty	S/P/F	Description
1	3008-508	3	/P	Piston - Assembly (inc. 2 and 6)
1	3008-539	3	S	Piston
2	3003-822	3	/P	Ring Set, Standard
3	3008-509	3		Pin
4	3008-500	6		Washer
5	3008-503	3		Bearing
6	3008-529	6		Ring, Piston Pin Snap
7	3008-511	1	S	Crankshaft - Assembly (inc. 8-30)
8	3008-510	3	S	Connecting Rod
9	3004-700	2	/P	Pin, Crank
10	3008-512	1	S	Crankshaft - Right
11	3008-513	2		Crankshaft - Middle
12	3008-514	2	S	Crankshaft - Middle
13	3008-515	1	S	Crankshaft - Left
14	3008-516	1		Balancer, Crankshaft
15	3004-166	2	S	Pipe, Crankshaft Joint
16	3004-167	4		Lace, Middle Crank Seal
17	3004-168	4		Ring, Middle Crank Seal
18	3008-517	1		Spacer, Crankshaft
19	3008-518	1		Gear, Balancer Shaft Drive
20	3004-178	1		Gear, Oil Pump Drive
21	3008-499	1		Washer, Crank Pin
22	3004-204	1		Washer, Crank Bearing
23	3008-501	1	/P	Washer, Crank Bearing
24	3004-150	1		Bearing, Crankshaft
25	3004-151	1		Bearing, Crankshaft
26	3004-152	5		Bearing, Crankshaft
27	3008-504	3	S/P	Bearing, Crank Pin
28	3004-372	3	S	Screw, Crank Balancer
29	3005-145	5		Washer, Crank Pin
30	3004-703	5		Washer, Crank Bearing
31	3008-530	1		O-Ring, Spacer
32	3008-526	1	/P	Seal, Crankshaft Oil - Left
33	3003-658	7	/P	Pin, Crank Bearing Knock
34	3004-157	1		C-Ring, Crankshaft
35	3008-525	1	/P	Seal, Crankshaft Oil - Right



1997 DAYTONA 1000 (97DTB-1997)
CYLINDER ASSEMBLY

Page 11 of 63

Ref #	Part Number	Qty	S/P/F	Description
	0638-205	1		Complete Gasket Set
1	3008-505	3	S	Head Assembly - Cylinder
2	3004-081	3		O-Ring
3	3003-227	18	/P	O-Ring
4	3004-080	3		O-Ring
5	3003-540	18	S	Stud, Cylinder
6	0217-709	3		Plug, Spark (BR9EYA)
7	3008-207	12	/P	Washer, Lock
8	3008-237	12	S	Washer
9	3008-309	18	S	Nut
10	3008-506	1	/P	Cylinder
11	3004-753	1	S	Gasket, Cylinder
12	3008-300	12		Stud, Bolt
13	3008-209	12	/P	Nut

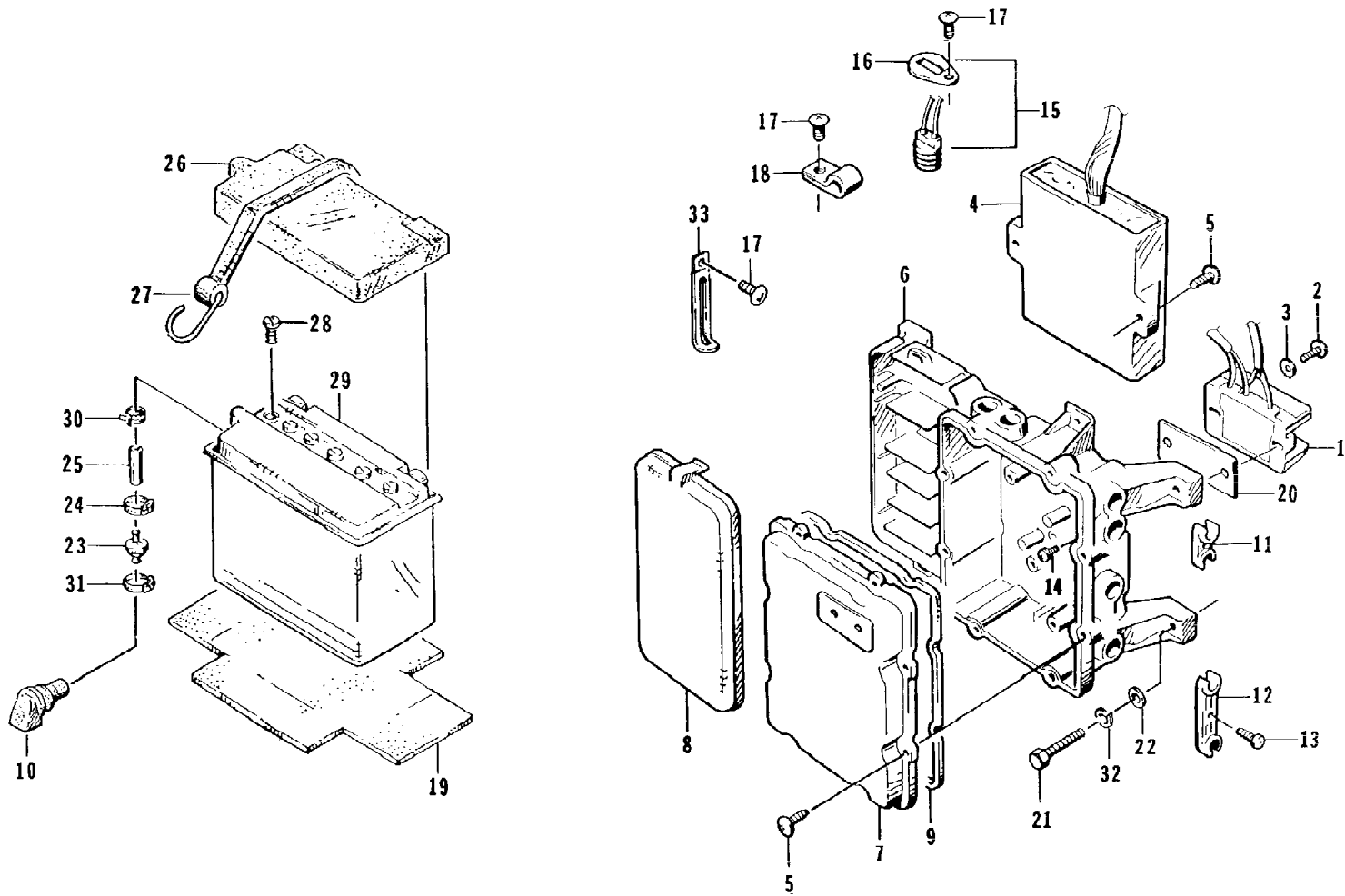


1997 DAYTONA 1000 (97DTB-1997)
DECAL AND FOOTPAD ASSEMBLY

Page 13 of 63

Ref #	Part Number	Qty	S/P/F	Description
1	0614-318	2		Decal, Deck - "Daytona"
2	1673-111	72		Plug, Mushroom
3	0614-316	1		Decal, Hull - "Tigershark" - Right
3	0614-317	1		Decal, Hull - "Tigershark" - Left
4	8060-230	72		Rivet
5	0614-314	1		Decal, Side - Right
5	0614-315	1		Decal, Side - Left
6	0617-259	1		Foam, Deck - Left
7	0614-351	1		Decal, Regulation
8	0614-154	1		Decal, Caution - Uprighting
9	0614-326	1		Decal, USCG Exemption
10	0614-325	1		Decal, Common Sense
11	0614-355	1		Decal, Console
12	0614-300	1		Decal, Oil Filler
13	1611-866	1		Decal, Warning - Gas Vapors
14	0614-309	1		Decal, Instrument Panel
15	0617-258	1		Foam, Deck - Right
16	0614-323	1		Decal, Warning Fuel
17	0773-847	1		Pad, Foot - Assembly
17	1673-246	1		Pad, Foot - Front Right
17	1673-247	1		Pad, Foot - Front Left
18	1673-292	1		Pad, Knee - Right
18	1673-293	1		Pad, Knee - Left
19	1673-248	1		Pad, Foot - Rear
20	1673-244	1		Pad, Foot - Right
20	1673-245	1		Pad, Foot - Left
21	0614-320	1		Decal, Crest

1997 DAYTONA 1000 (97DTB-1997)
ELECTRICAL MODULE AND BATTERY

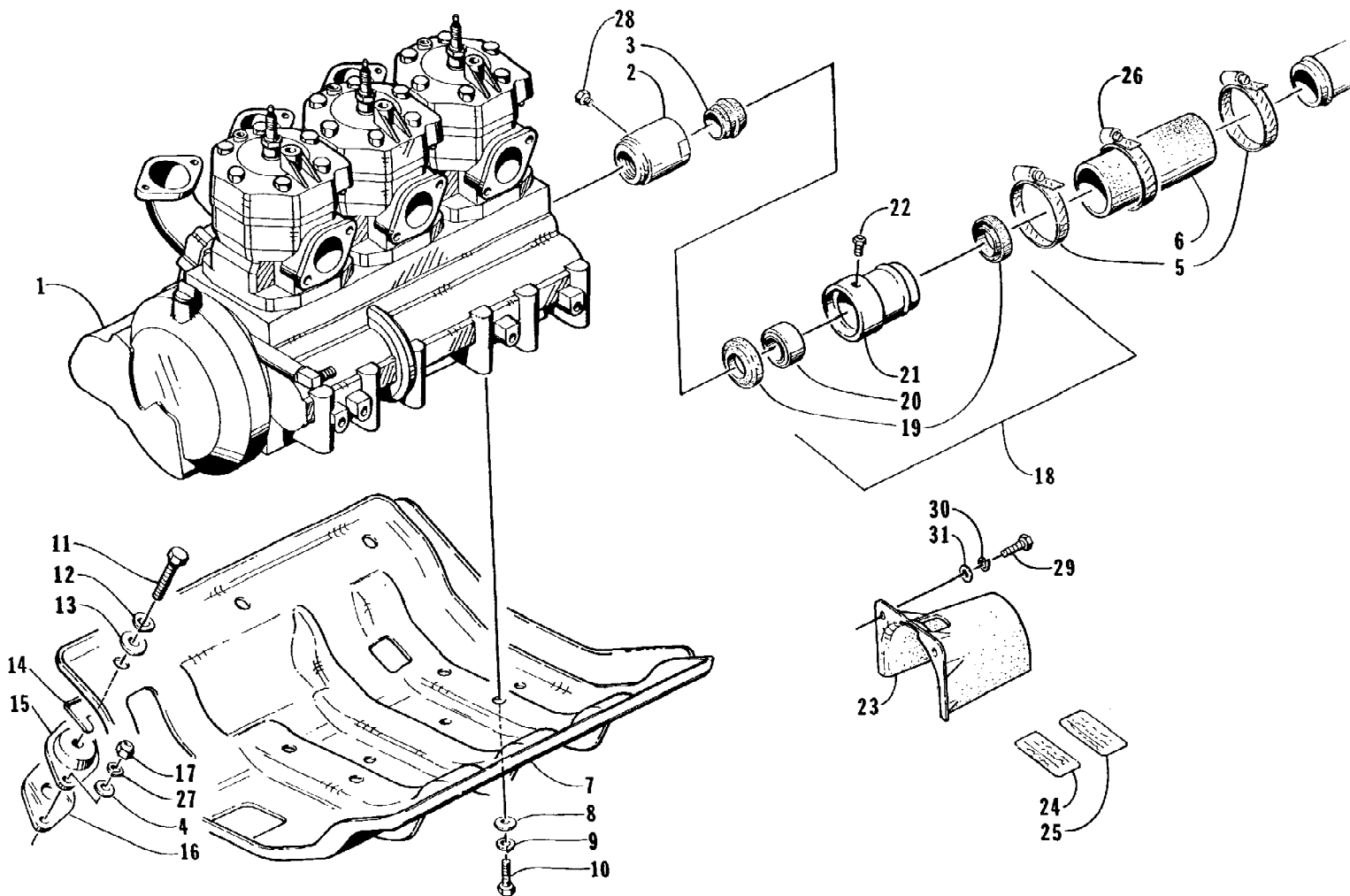


1997 DAYTONA 1000 (97DTB-1997)
ELECTRICAL MODULE AND BATTERY

Page 15 of 63

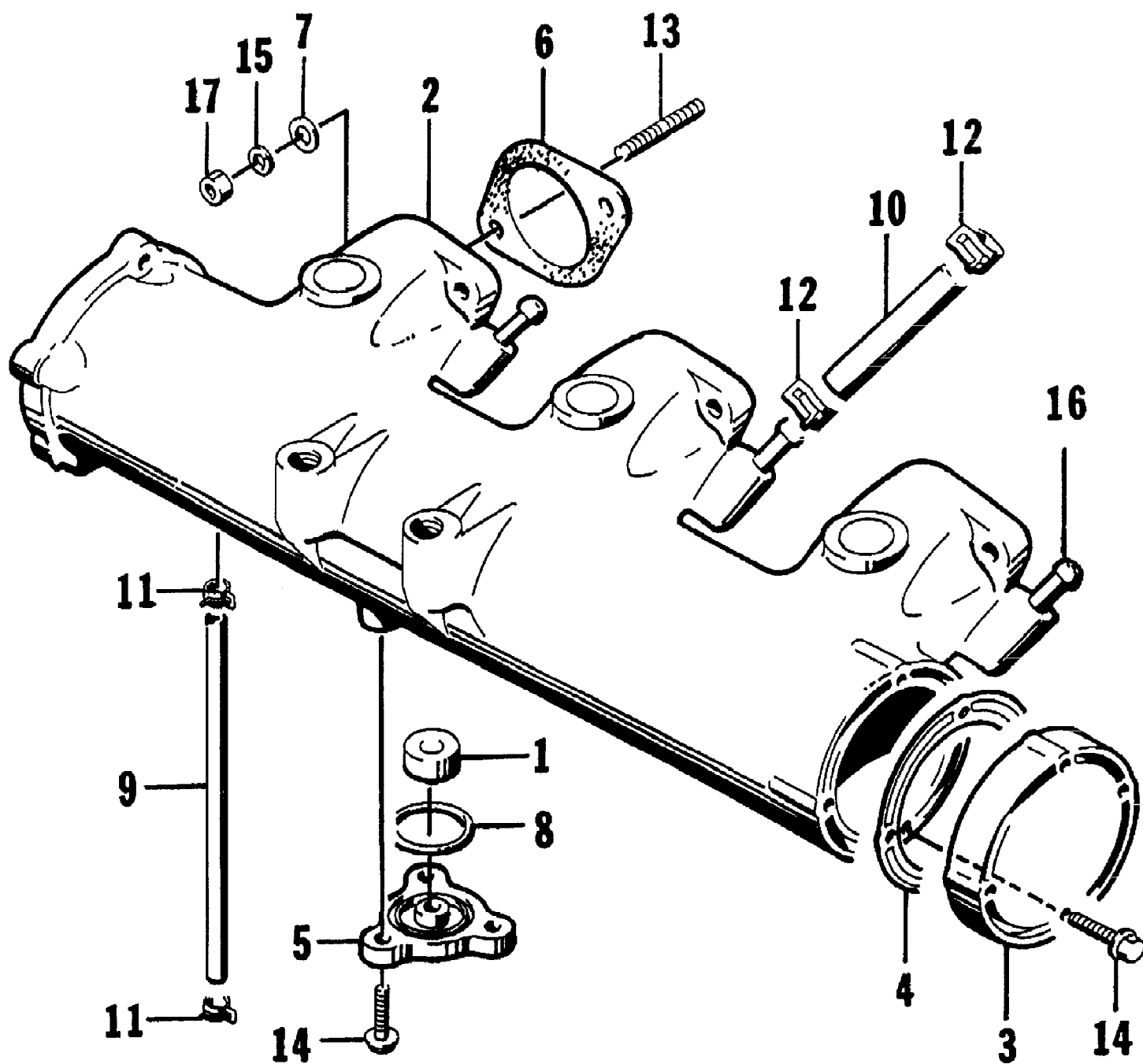
Ref #	Part Number	Qty	S/P/F	Description
1	3008-279	1	/P	Regulator Assembly (inc. 2)
2	3008-479	2		Screw, Regulator
3	3008-337	2		Washer, Regulator
4	3008-281	1	S	Unit, CDI
5	3008-478	10		Screw, Cap
6	3008-465	1		Case
7	3008-283	1	/P	Cover
8	3008-284	1	/P	Cover
9	3008-285	1	/P	Packing
10	0673-755	1		Vent, Fuel
11	3008-124	3		Holder
12	3008-125	1		Holder
13	3008-477	4		Screw, Cap
14	3008-217	1		Screw, Cap
15	3008-330	1	S/P	Sensor - Assembly (inc. 16)
16	3008-134	1		Supporter
17	3008-219	3		Screw, Machine
18	3008-040	1		Clamp
19	1673-363	1	/P	Pad, Battery
20	3008-336	1	/P	Base, Regulator
21	0624-290	4		Screw, Cap
22	0624-228	4		Washer
23	0670-295	1		Valve, Check
24	0623-502	1		Clamp
25	0610-008	0	/P	Hose - 25 ft
26	0673-454	1		Cover, Battery
27	0773-805	3		Tiedown
28	0645-045	6		Cap, Battery
29	0645-157	1		Battery (inc. 28)
30	0624-323	1		Clamp, Hose - Battery
31	0623-063	1		Clamp
32	0624-115	4		Washer, Lock
33	3008-357	1		Clamp

1997 DAYTONA 1000 (97DTB-1997)
ENGINE AND RELATED ASSEMBLY



1997 DAYTONA 1000 (97DTB-1997)
ENGINE AND RELATED ASSEMBLY

Ref #	Part Number	Qty	S/P/F	Description
1	0662-198	1	S	Engine
2	0675-117	1		Coupler, Engine
3	0675-160	1	/P	Grommet, Seal
4	0624-028	12		Washer
5	0624-390	2		Clamp
6	0675-121	1		Hose, Coupler
7	0608-228	1	S	Plate, Engine Mount
8	0624-282	4		Washer
9	0624-281	4		Washer, Lock
10	0624-416	4		Screw, Cap
11	0624-421	6		Screw, Cap
12	0624-012	6		Washer, Lock
13	0624-406	6		Washer
14	0624-014	0	/P	Shim, 0.5 mm
14	0624-015	0	/P	Shim, 1.5 mm
15	3008-054	6		Dampener
16	0673-508	0	/P	Shim, Engine Mount - 0.125 in.
16	0673-509	0		Shim, Engine Mount - 0.063 in.
17	0624-149	12		Nut
18	0775-063	1		Housing, Seal - Assembly (inc. 20-22)
19	0675-169	2	S	Seal
20	0675-161	1		Bearing
21	0675-162	1		Housing/Bearing - Floating
22	0623-688	1		Fitting, Grease
23	0773-809	1		Guard, Coupler - Assembly (inc. 24-25)
24	1611-608	1		Decal, Warning
25	0614-244	1		Decal, Coupler - Servicing
26	0624-037	1		Clamp
27	0624-027	12		Washer, Lock
28	0623-658	1		Fitting, Grease
29	0624-053	2	/P	Screw, Cap
30	0624-036	2		Washer, Lock
31	0624-125	2	/P	Washer

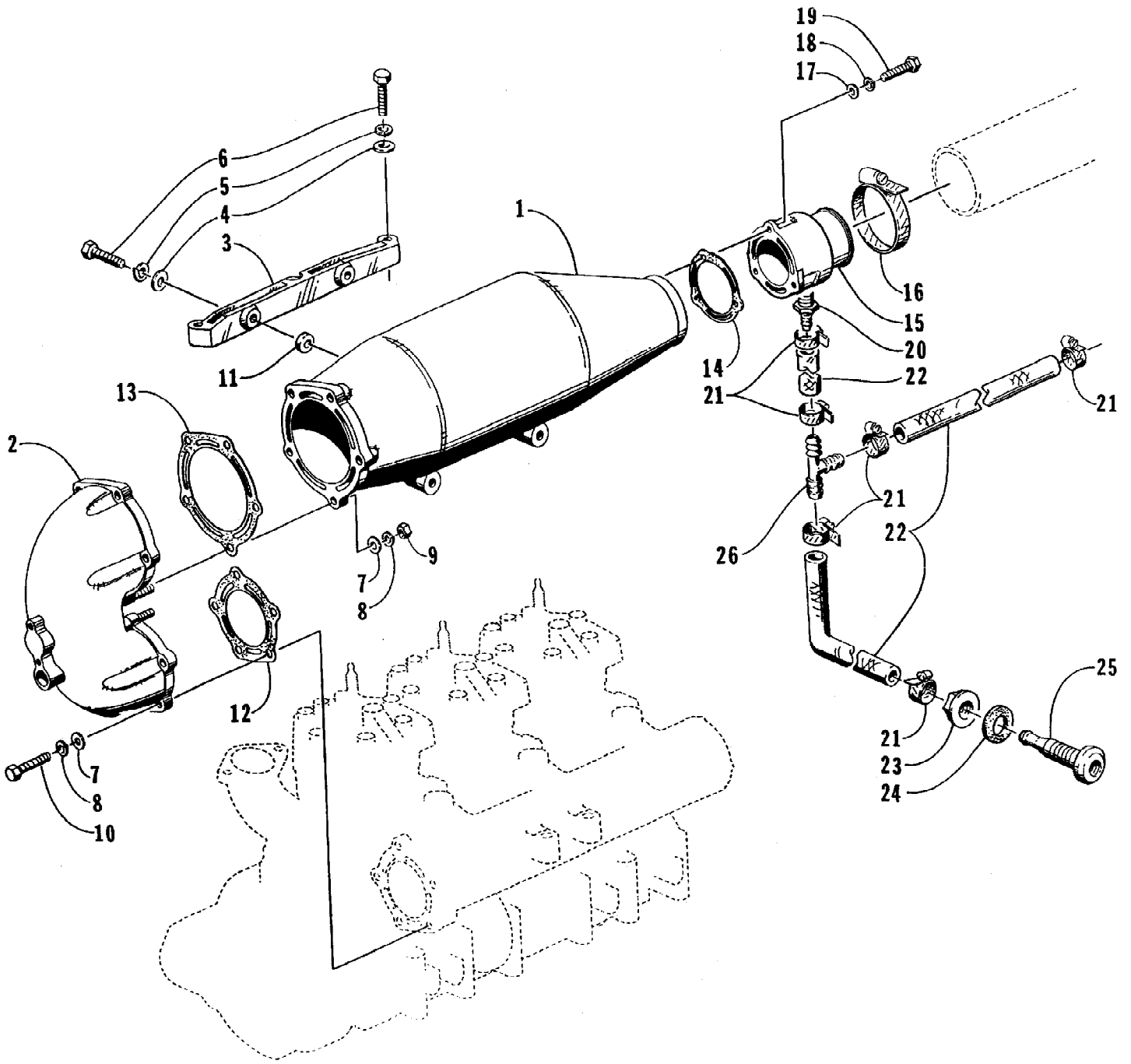


1997 DAYTONA 1000 (97DTB-1997)
EXHAUST MANIFOLD ASSEMBLY

Page 19 of 63

Ref #	Part Number	Qty	S/P/F	Description
1	3008-047	1		Zinc, Protection
2	3008-444	1	/P	Manifold, Exhaust - Assembly
3	3008-268	1		Cover, Exhaust Manifold
4	3008-519	1	/P	Gasket, Exhaust Manifold Cover
5	3008-520	1	/P	Cover, Protection Zinc
6	3008-407	3	/P	Gasket, Exhaust Manifold
7	3008-312	6		Washer
8	3008-250	1		O-Ring, Protection Zinc Cover
9	3008-251	1		Hose, Drain
10	3008-257	3		Hose, Cooling
11	3008-037	2	/P	Clip, Drain Hose
12	3008-366	6		Clip, Cooling Hose
13	3008-391	6		Bolt, Stud
14	3008-213	7	/P	Screw, Cap
15	3008-392	6		Washer, Lock
16	3008-364	3		Fitting
17	3004-478	6	S	Nut

1997 DAYTONA 1000 (97DTB-1997)
EXPANSION CHAMBER ASSEMBLY



1997 DAYTONA 1000 (97DTB-1997)
EXPANSION CHAMBER ASSEMBLY

Page 21 of 63

Ref #	Part Number	Qty	S/P/F	Description
1	0612-802	1	/P	Chamber, Expansion
2	0612-801	1	S	Pipe, Head
3	0673-441	1	/P	Bracket, Expansion Chamber
4	0624-008	5		Washer
5	0624-012	5		Washer, Lock
6	0624-238	5		Screw, Cap
7	0624-028	10		Washer
8	0624-027	10		Washer, Lock
9	0624-149	2		Nut
10	0624-313	8	/P	Screw, Cap
11	0624-378	2		Spacer
12	0612-460	1		Gasket, Manifold
13	0612-461	1		Gasket, Expansion Chamber
14	0612-627	1		Gasket, Tailpipe
15	0612-803	1	S	Pipe, Tail
16	0624-037	1		Clamp, Hose
17	0624-022	3		Washer
18	0624-036	3		Washer, Lock
19	0624-314	3		Screw, Cap
20	1673-164	1		Fitting, Brass
21	0624-016	6		Clamp, Hose
22	0610-268	0		Hose, Water - 25 ft
23	0673-378	1	S	Nut, Outlet
24	0612-456	1		Seal, Outlet
25	0673-374	1		Outlet, Water
26	0673-136	1		T-Connection

1997 DAYTONA 1000 (97DTB-1997)
GAS TANK ASSEMBLY

Page 23 of 63

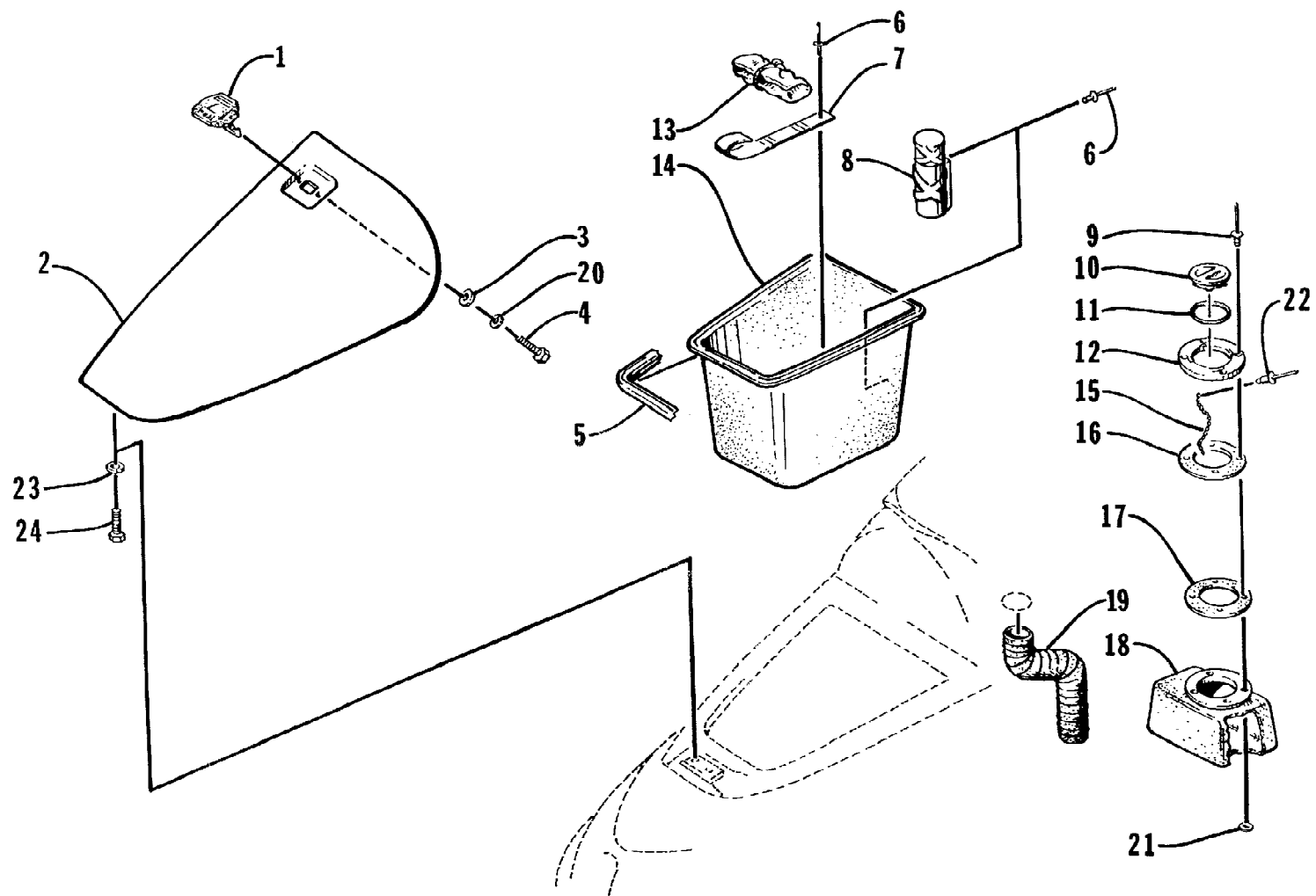
Ref #	Part Number	Qty	S/P/F	Description
1	0770-239	1		Tank, Gas - Assembly (inc. 2,11,14,16,20)
2	0670-564	1		Outlet, Gas Tank - Brass
3	0624-390	2		Clamp, Hose
4	0670-582	1	S	Cap, Filler Neck
5	0670-581	1		Neck, Filler
6	0670-688	1		Seal, Filler Neck
7	0670-548	1		Nut, Filler Neck
8	0624-120	17		Clamp, Hose
9	0610-107	0		Hose, Gas - 25 ft
10	0624-312	5		Screw, Cap
11	0670-755	1		Tube, Drop - Reserve
12	1673-327	4		Bushing, Fuel Tank
13	0670-474	1		Gasket, Fuel Sensor
14	0620-197	1		Sender, Fuel Level
15	0624-090	4		Nut, Lock
16	0670-565	2		Fitting, Outlet - Brass
17	0610-047	1		Hose, Filler
18	0510-335	2	/P	Filter, Fuel
19	0624-125	8	/P	Washer
20	0115-607	1	S	Fitting, Elbow
21	0109-332	1		T-Connection
22	0123-788	2	/P	Tie, Cable
23	0610-059	3		Valve, Check
24	0673-755	1		Vent, Fuel
25	0623-063	1		Clamp, Hose

1997 DAYTONA 1000 (97DTB-1997)
HANDLEBAR ASSEMBLY

Page 25 of 63

Ref #	Part Number	Qty	S/P/F	Description
1	0673-990	2	S	Grip, Handlebar
2	0773-018	1		Throttle, Assembly (inc. 3-8)
3	0605-234	1		Lever, Throttle
4	0605-236	1		Pin, Throttle Lever
5	0605-235	1		Housing, Throttle
6	0624-099	1		Washer
7	0624-113	1		C-Clip
8	0624-091	1		Screw, Machine
9	0624-056	4		Screw, Cap
10	0673-282	4		Cap, Steering Adjuster
11	0773-608	1		Handlebar
12	0687-102	1	/P	Cable, Throttle
13	0624-250	4		Nut, Lock
14	0123-788	0	/P	Tie, Cable
15	0609-309	1		Switch, Start/Trim/Bilge (inc. 16)
16	0624-148	3		Screw, Machine
17	0609-310	1	/P	Cord, Tether
18	0624-104	1		C-Clip
19	0773-848	1		Handlebar Pad - Assembly (inc. 20-22)
20	1673-242	1		Pad, Handlebar
21	0624-350	6	S	Screw, Cap
22	0	1	F	Cover, Handlebar Pad
23	1673-095	1		Washer, Rubber - Handlebar
24	0624-216	2		Rivet
25	1673-111	2		Plug

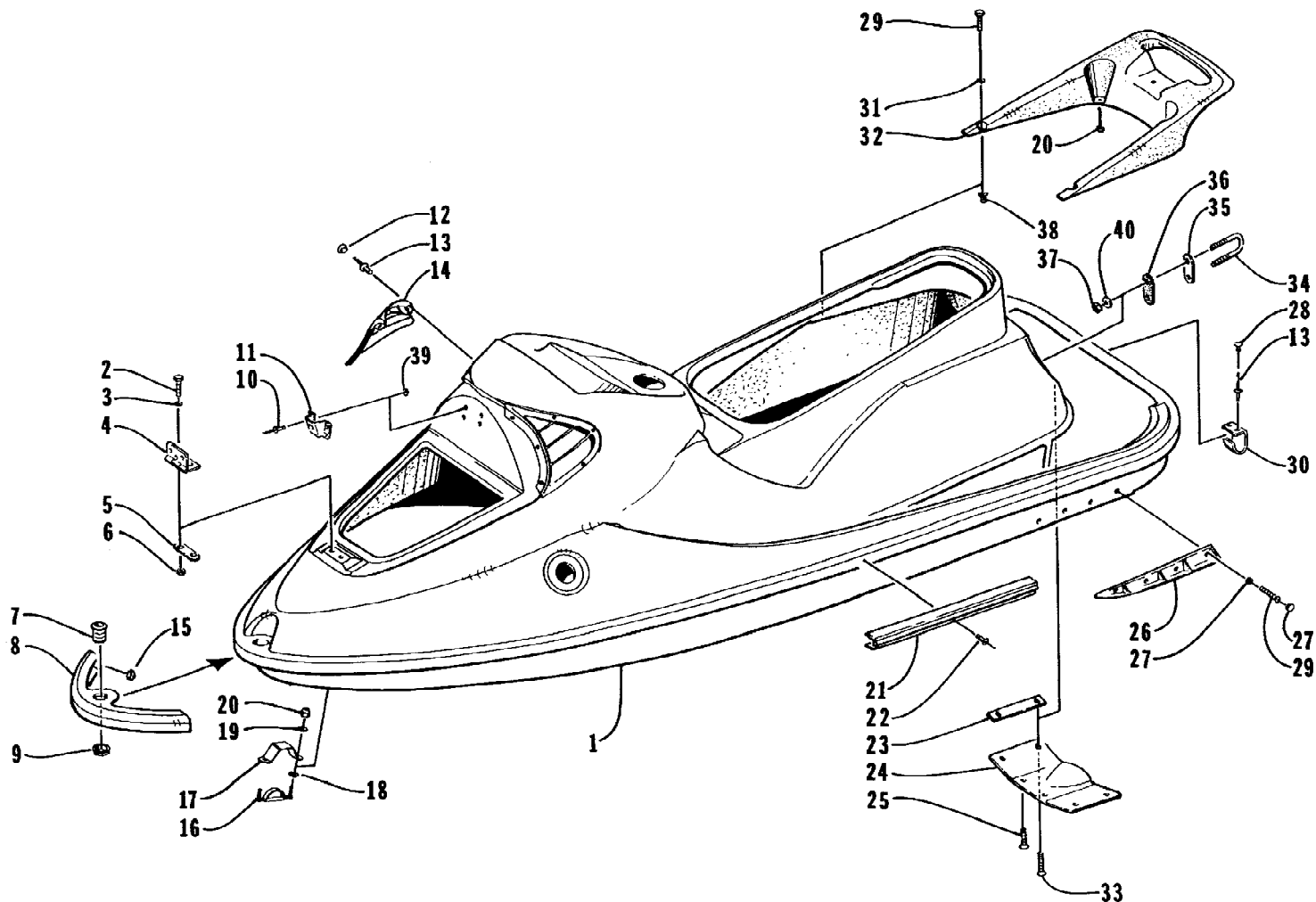
1997 DAYTONA 1000 (97DTB-1997)
HATCH COVER AND STORAGE TRAY



1997 DAYTONA 1000 (97DTB-1997)
HATCH COVER AND STORAGE TRAY

Page 27 of 63

Ref #	Part Number	Qty	S/P/F	Description
1	0673-882	1		Latch, Hatch Cover
2	1673-041	1		Cover, Hatch
3	0624-004	2		Washer
4	0624-092	2		Screw, Cap
5	1673-257	1	S	Seal, Hatch
6	0623-685	5		Rivet
7	0773-217	1		Tiedown, Tool Kit
8	1673-046	1		Tube, Fire Extinguisher
9	8060-633	6	/P	Rivet
10	0406-208	1		Lid, Storage Cover
11	1673-146	1		Seal
12	0406-205	1	/P	Ring, Mount
13	0678-399	1		Kit, Tool
14	1673-268	1	S	Tray, Storage
15	0773-401	1		Chain, Cover
16	0673-973	1		Seal, Storage Cover
17	1673-155	1		Gasket, Mounting - Storage Container
18	0673-652	1	/P	Container, Storage
19	0610-260	1		Hose, Air Intake
20	0624-200	2		Washer, Lock
21	0623-603	4		Washer, Backup
22	0624-074	2		Rivet
23	0624-115	3		Washer, Lock
24	0624-432	3		Screw, Self-Tapping

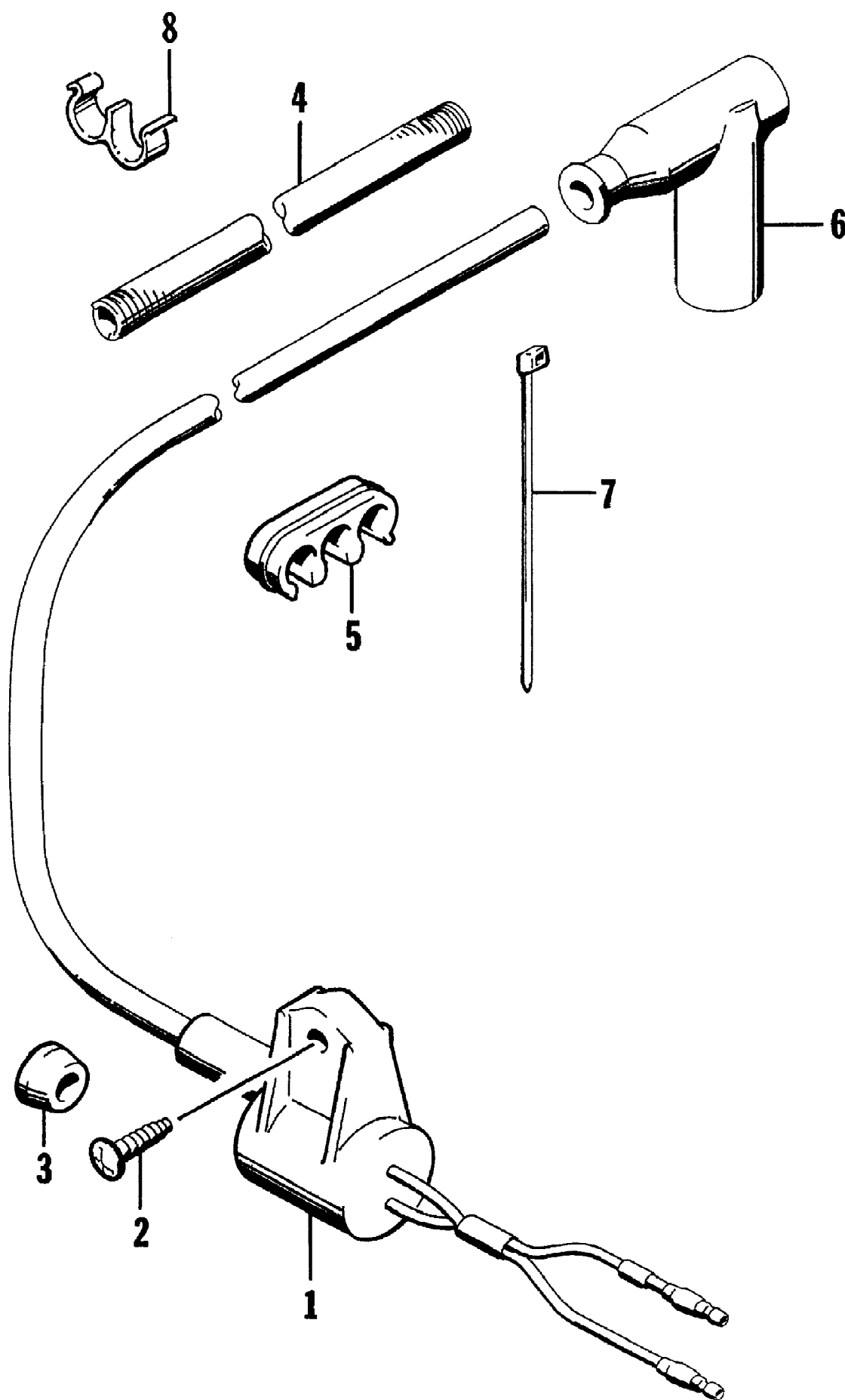


1997 DAYTONA 1000 (97DTB-1997)
HULL AND RELATED PARTS ASSEMBLY

Page 29 of 63

Ref #	Part Number	Qty	S/P/F	Description
1	0773-844	1		Hull/Deck - Assembly
2	0624-112	2	/P	Screw, Cap
3	0624-022	2		Washer
4	1673-032	1		Hinge, Hatch
5	1673-031	1		Plate, Backing - Hinge
6	0624-250	2		Nut, Lock
7	1673-281	1		Bushing, Boweye
8	1673-265	1	S	Nose, Cone
9	0673-378	1	S	Nut, Boweye Bushing
10	0624-072	4		Rivet
11	1673-034	1		Strike, Hatch Latch
12	1673-111	12		Plug, Mushroom
13	0623-619	14		Rivet
14	1673-288	1		Grille, Vent - Right
14	1673-289	1		Grille, Vent - Left
15	0624-005	2	/P	Nut, Lock
16	0773-516	1	/P	Boweye
17	0673-897	1		Strap, Reinforcement
18	0624-299	2		Washer, Sealing
19	0624-247	2		Washer
20	0624-089	4		Nut, Lock
21	1673-270	1		Rail, Rub - Right
21	1673-271	1		Rail, Rub - Left
22	0624-030	48		Rivet
23	1673-200	2		Plate, Nut
24	0775-073	1	/P	Plate, Ride
25	0624-184	2		Screw, Machine
26	1673-166	1	S	Sponson - Right
26	1673-167	1	S	Sponson - Left
27	0124-054	8	/P	Washer, Snap Cap
28	1673-284	2		Plug, Mushroom
29	0624-271	12		Screw, Cap
30	1673-285	1		Cover, Rub Rail
31	0624-115	4		Washer, Lock
32	1673-025	1		Handle, Grab
33	0624-186	4		Screw, Machine
34	0624-429	1		U-Bolt
35	0673-656	1		Plate, Backing - Eyehook
36	1673-083	1		Gasket, Eyehook
37	0624-258	2		Nut, Lock
38	0623-557	2		Insert, Brass
39	0624-004	4		Washer, Backup
40	0624-159	2		Washer

1997 DAYTONA 1000 (97DTB-1997)
IGNITION COIL

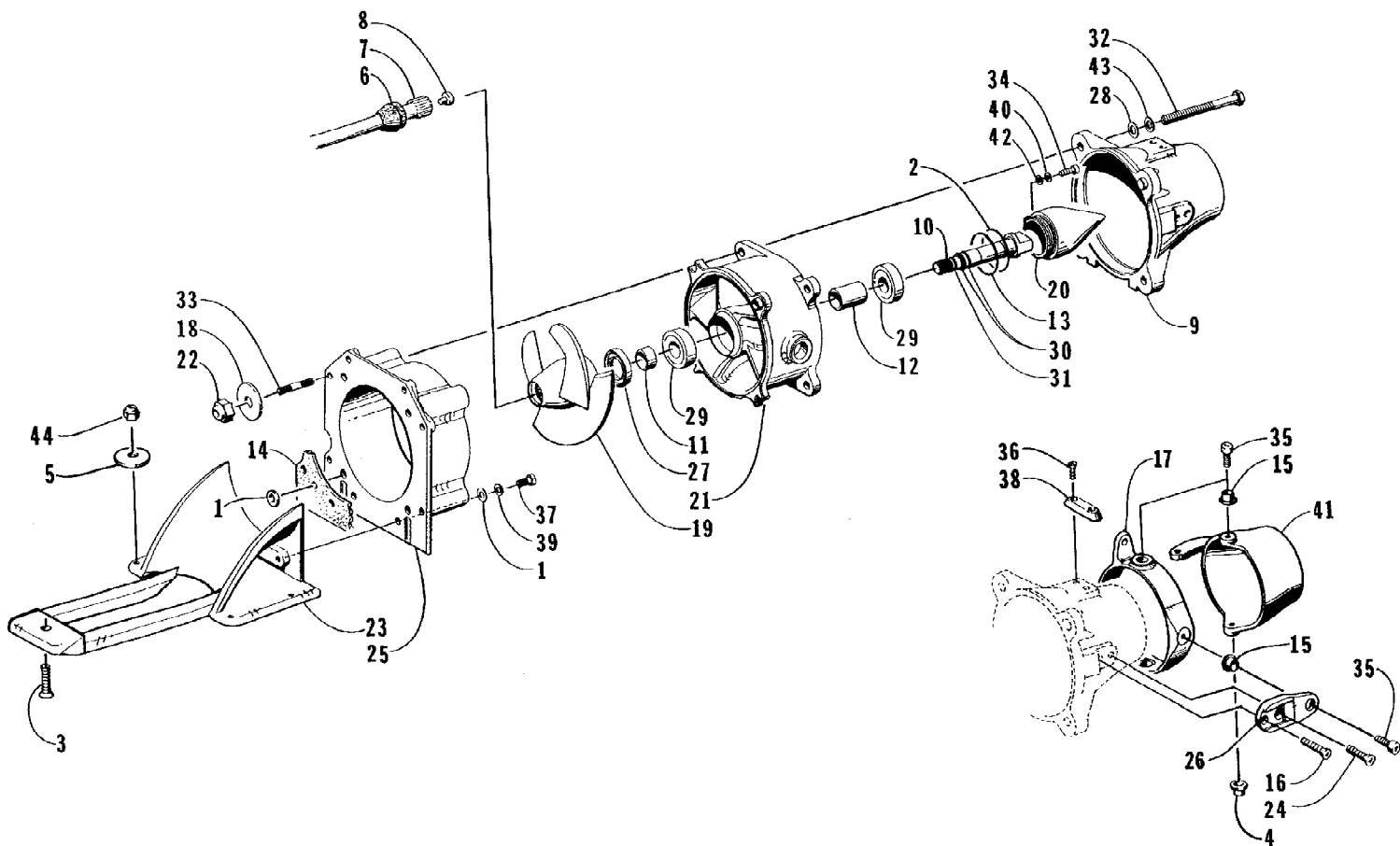


1997 DAYTONA 1000 (97DTB-1997)
IGNITION COIL

Page 31 of 63

Ref #	Part Number	Qty	S/P/F	Description
1	3008-523	3	/P	Coil Assembly, Ignition
2	3008-321	3		Screw, Cap
3	3008-334	3	/P	Grommet
4	3008-445	3		Protector, Lead Wire
5	3008-252	1		Clip
6	3003-737	3	S	Cap Assembly, Spark Plug
7	3003-787	3		Tie, Cable
8	3008-045	1		Clip, Tube

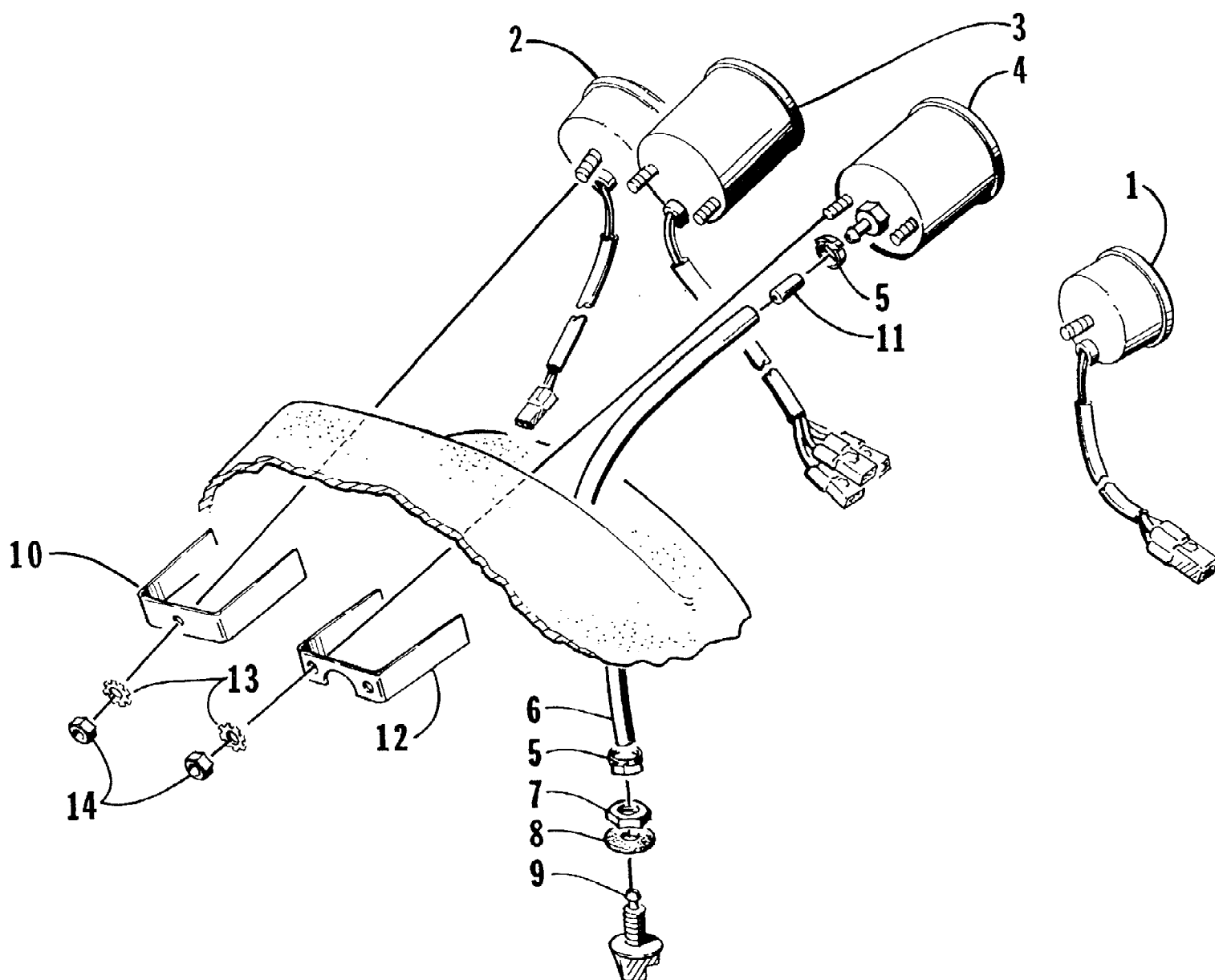
1997 DAYTONA 1000 (97DTB-1997)
IMPELLER DRIVE ASSEMBLY



1997 DAYTONA 1000 (97DTB-1997)
 IMPELLER DRIVE ASSEMBLY

Page 33 of 63

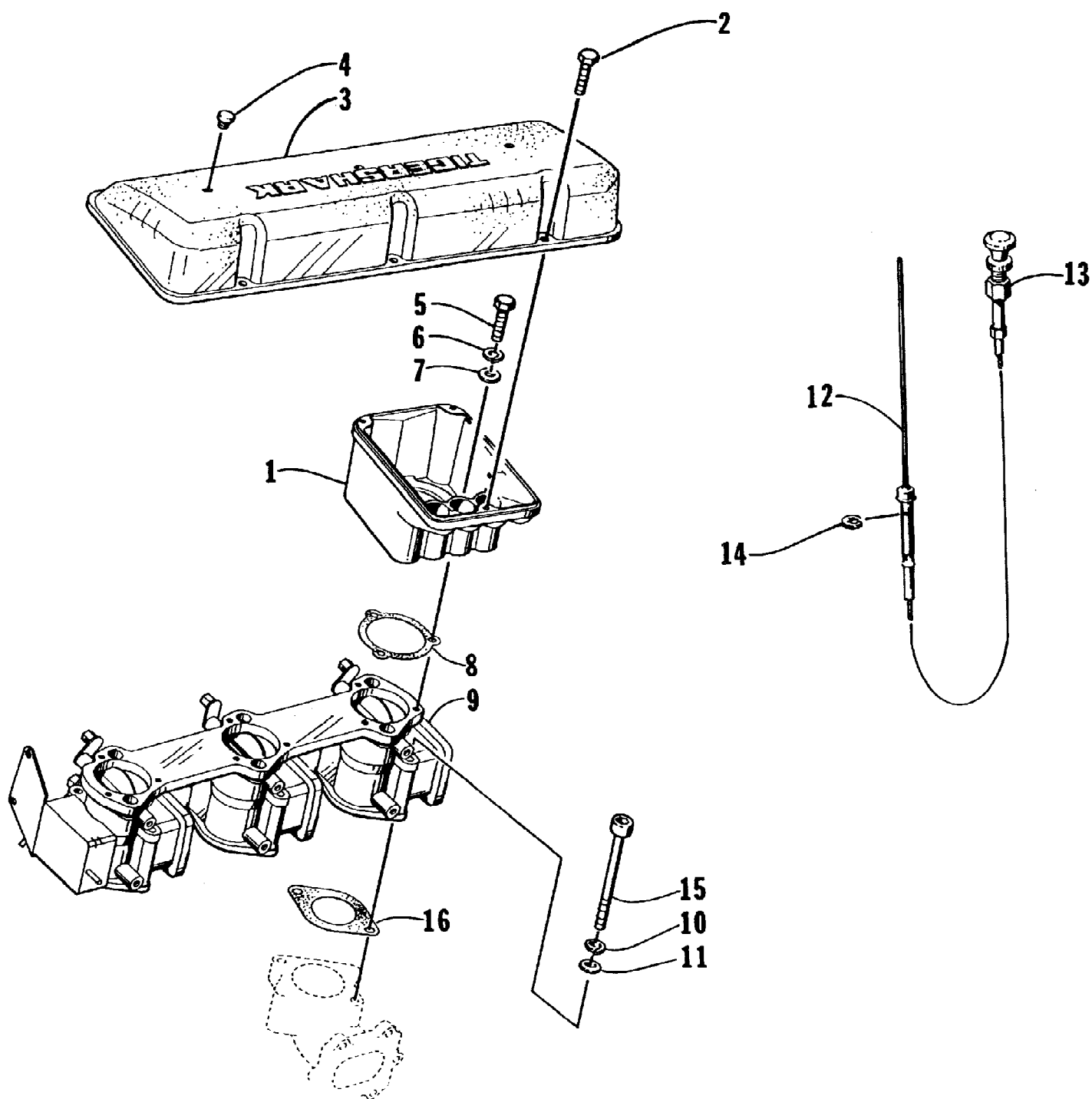
Ref #	Part Number	Qty	S/P/F	Description
1	0624-028	4		Washer
2	0675-078	1		O-Ring
3	0624-186	5		Screw, Machine
4	1673-377	1	S	Bushing, Trim Ring
5	0624-182	4		Washer, Sealing
6	0675-187	1		Grommet, Seal
7	0675-182	1	S	Driveshaft
8	0673-618	2	/P	Bumper, Driveshaft
9	0675-102	1		Venturi
10	0675-098	1	/P	Shaft, Rear - Impeller
11	0675-085	1		Spacer, Impeller
12	0675-084	1		Spacer, Bearing
13	0675-127	1		O-Ring
14	0675-107	1		Gasket, Pump
15	0673-291	3		Bushing
16	0624-272	2		Screw, Machine
17	0675-150	1	S	Ring, Trim
18	0624-125	4	/P	Washer
19	0675-142	1		Impeller
20	0675-146	1		Endcap, Stator
21	0675-108	1	S	Stator
22	0624-090	6		Nut, Lock
23	0675-191	1	/P	Grate, Inlet
24	0624-273	2		Screw, Machine
25	0775-023	1	S	Wear Ring
26	0673-786	2		Bracket, Trim Ring
27	0675-119	1	S	Seal
28	0624-008	4		Washer
29	0673-609	2		Bearing, Stator
30	0673-608	2		O-Ring
31	0673-607	1		O-Ring
32	0624-386	4		Screw, Cap
33	0624-417	6		Stud
34	0624-314	2		Screw, Cap
35	0624-174	4		Screw, Cap
36	0624-184	2		Screw, Machine
37	0624-026	2		Screw, Cap
38	0624-084	1		Anode, Zinc
39	0624-027	2		Washer, Lock
40	0624-036	2		Washer, Lock
41	0675-185	1		Nozzle, Steering
42	0624-022	2		Washer
43	0624-012	4		Washer, Lock
44	0624-250	6		Nut, Lock



1997 DAYTONA 1000 (97DTB-1997)
INSTRUMENT ASSEMBLY

Page 35 of 63

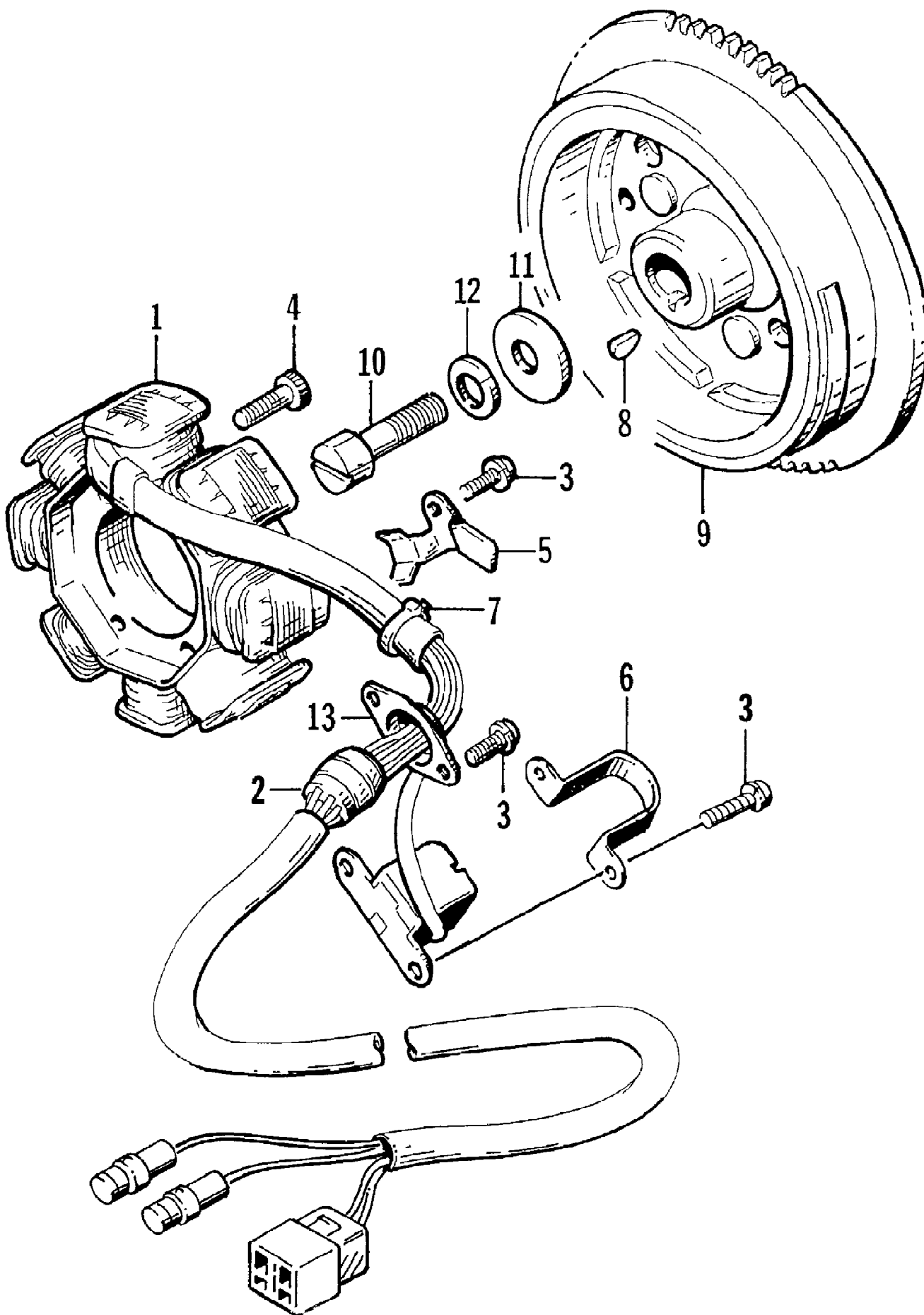
Ref #	Part Number	Qty	S/P/F	Description
1	0620-193	1		Gauge, Trim
2	0620-190	1	S	Gauge, Fuel
3	0620-192	1		Tachometer
4	0620-189	1		Speedometer
5	0123-811	2		Clamp
6	0673-809	0	/P	Hose
7	0673-348	1		Nut, Pitot
8	0673-349	1		Seal, Pitot
9	0673-362	1	S	Pitot
10	0620-173	2		Backclamp, Fuel Gauge/Trim Gauge
11	1673-387	1	S	Fitting, Restrictor - Speedometer
12	0620-199	2		Backclamp, Speedometer
12	0620-201	2		Backclamp, Tachometer
13	0623-702	6		Washer, Star
14	0623-701	6		Nut



1997 DAYTONA 1000 (97DTB-1997)
 INTAKE ASSEMBLY

Page 37 of 63

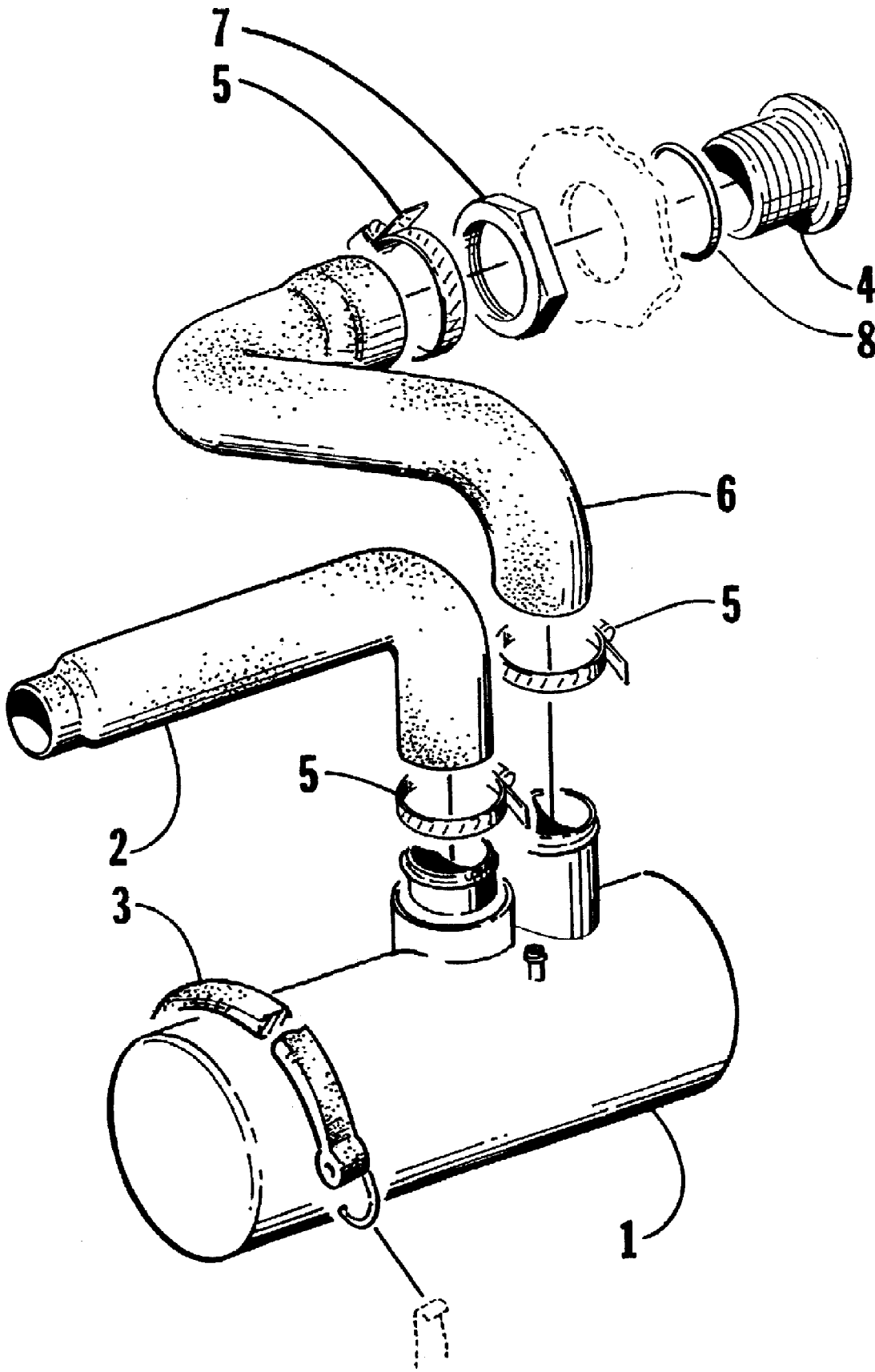
Ref #	Part Number	Qty	S/P/F	Description
1	1673-403	2		Base, Sound Attenuator
1	1673-375	1		Base, Sound Attenuator - Center
2	0624-408	9		Screw, Cap
3	1673-332	1		Cover, Sound Attenuator
4	1606-038	3		Plug
5	0624-112	9	/P	Screw, Cap
6	0624-036	9		Washer, Lock
7	0624-022	9		Washer
8	1673-091	3		Gasket, Sound Attenuator
9	0670-708	1		Carburetor Assembly
10	0624-027	6		Washer, Lock
11	0624-028	6		Washer
12	0687-095	1		Cable, Choke
13	0687-051	1	/P	Nut, Choke Cable
14	0624-268	1		Ring, Retaining
15	0624-338	6	/P	Screw, Cap
16	1673-415	3		Gasket, Intake



1997 DAYTONA 1000 (97DTB-1997)
MAGNETO

Page 39 of 63

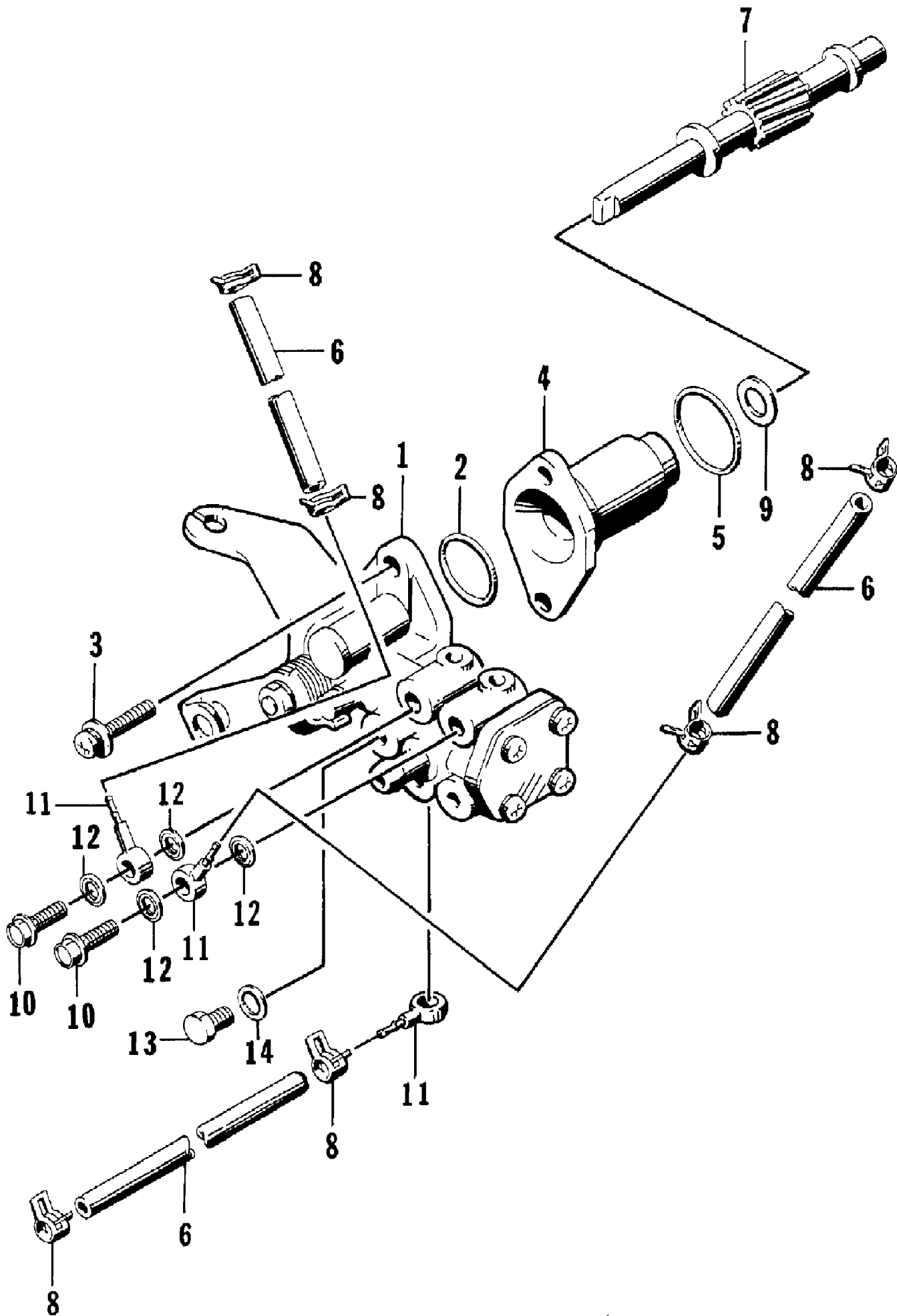
Ref #	Part Number	Qty	S/P/F	Description
1	3008-315	1		Stator
2	3008-278	1		Grommet
3	3004-706	5	S/P	Screw, Cap
4	3004-484	3	S	Screw, Cap
5	3008-109	1		Holder
6	3008-331	1	/P	Clamp
7	0693-275	1		Clamp
8	3004-540	1	/P	Key
9	3008-108	1	S	Flywheel
10	3008-388	1	S	Screw, Cap
11	3008-017	1		Washer
12	3004-362	1	S/P	Washer, Lock
13	3008-110	1		Holder, Grommet



1997 DAYTONA 1000 (97DTB-1997)
MUFFLER ASSEMBLY

Page 41 of 63

Ref #	Part Number	Qty	S/P/F	Description
1	0712-243	1		Muffler
2	0610-290	1		Hose, Exhaust - In
3	0773-805	2		Tiedown, Muffler
4	0612-762	1	/P	Outlet, Exhaust
5	0624-169	3		Clamp, Hose
6	0610-323	1		Hose, Exhaust - Out
7	0612-576	1		Nut, Exhaust Outlet
8	0612-676	1		Gasket, Exhaust - Foam



1997 DAYTONA 1000 (97DTB-1997)
OIL PUMP

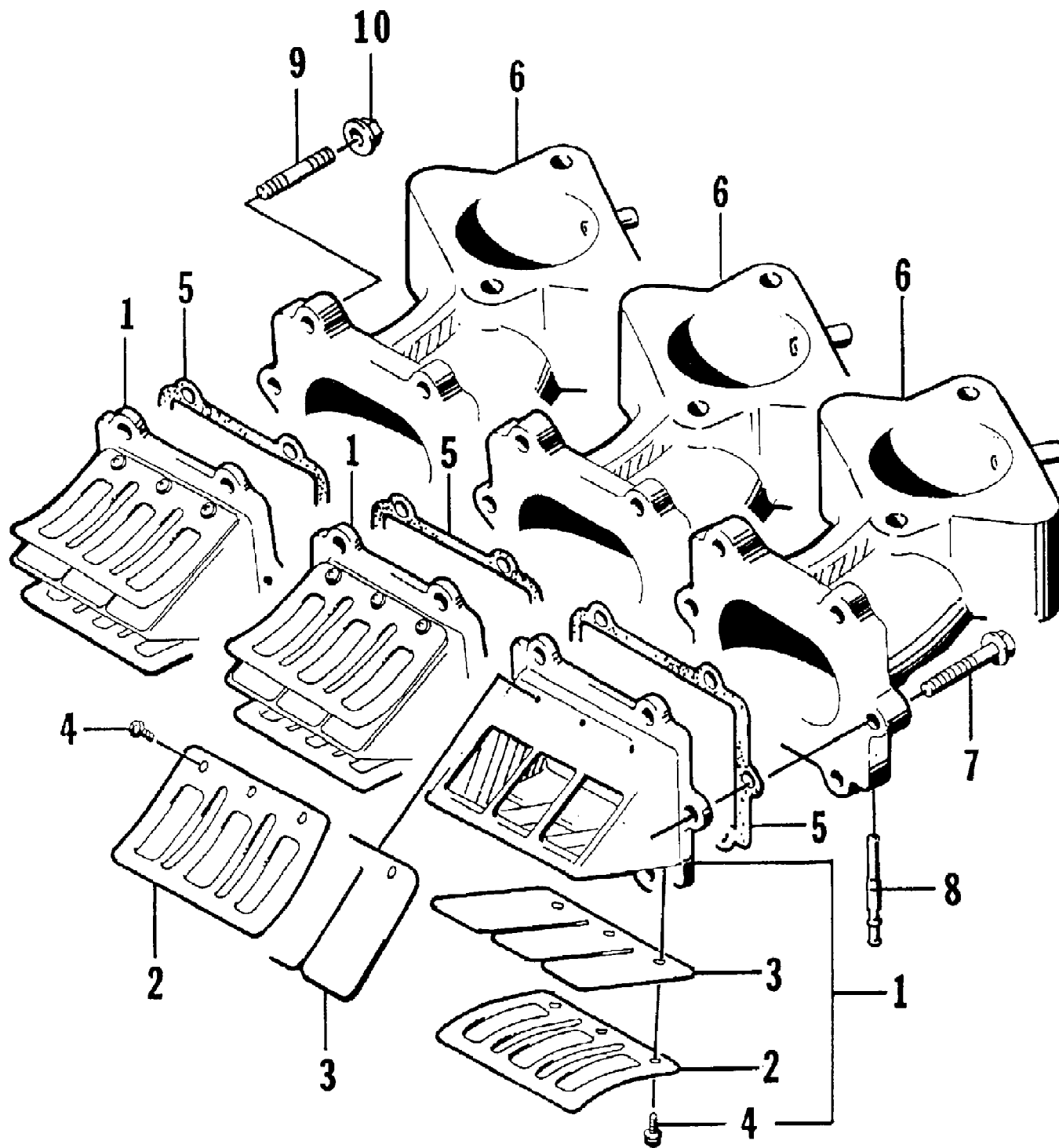
Page 43 of 63

Ref #	Part Number	Qty	S/P/F	Description
1	3008-522	1	S	Oil Pump Assembly
2	3008-030	1		O-Ring
3	3008-393	2		Screw, Oil Pump
4	3004-763	1	/P	Retainer, Oil Pump Shaft
5	3005-126	1	/P	O-Ring, Retainer
6	3008-035	3	/P	Hose, Oil Pump
7	3004-179	1		Gear, Oil Pump Driven
8	3008-037	6	/P	Clip
9	3005-049	1	/P	Shim, Oil Pump Input Shaft
10	3008-528	3		Screw, Cap
11	3003-217	3	/P	Fitting, Oil
12	3003-290	6	/P	Gasket, Fitting
13	6505-820	1		Screw, Oil Pump Bleed
14	6505-821	1		Washer, Bleed Screw

1997 DAYTONA 1000 (97DTB-1997)
OIL TANK ASSEMBLY

Page 45 of 63

Ref #	Part Number	Qty	S/P/F	Description
1	0670-580	1	S	Tank, Oil
2	0624-046	3		Screw, Cap
3	0115-607	1	S	Outlet, Tank
4	0624-120	4		Clamp, Hose
5	0610-107	0		Hose, Gas - 25 ft
6	0610-059	1		Valve, Check
7	0510-335	1	/P	Filter, Fuel
8	0124-045	2	/P	Clamp, Hose
9	0670-718	1		Fitting, Tank
10	0610-008	0	/P	Hose, Oil - 25 ft
11	1673-336	1		Filter, Oil
12	0624-019	2		Clamp, Hose
13	0610-292	1		Hose, Filler
14	0624-182	6		Washer
15	0624-036	3		Washer, Lock
16	0670-697	1		Filler, Oil - Assembly
17	0670-679	1		Seal, Oil Filler
18	8060-633	3	/P	Rivet
19	0623-603	3		Washer
20	0623-486	2		Clamp, Hose
21	0610-018	0	/P	Hose, Oil - 15 ft
22	0620-196	1	S	Sensor, Oil Level
23	0609-237	1		Seal, Grommet - Oil Sensor



1997 DAYTONA 1000 (97DTB-1997)
REED VALVE ASSEMBLY

Page 47 of 63

Ref #	Part Number	Qty	S/P/F	Description
1	3008-534	3	/P	Valve, Reed - Assembly (inc. 2-4)
2	3008-074	6		Stopper, Reed Valve
3	3008-075	6		Valve, Reed
4	3004-210	18		Screw, Reed Valve
5	3008-076	3	S	Gasket, Reed Valve
6	3008-535	3		Pipe, Intake - Assembly
7	3008-220	12		Screw, Cap
8	3003-597	3		Nozzle, Oil
9	3008-370	6	/P	Stud
10	3008-309	6	S	Nut

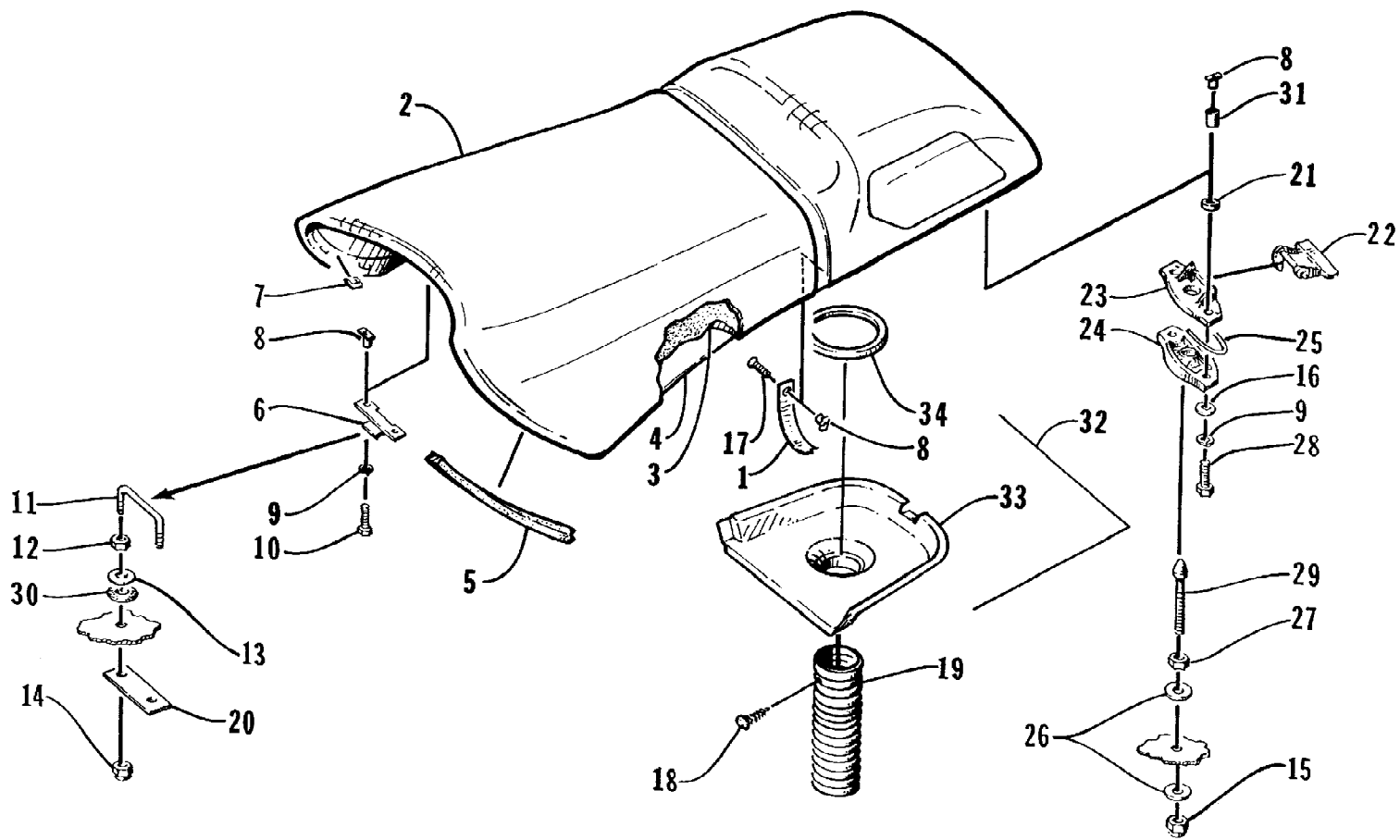
No
Diagram
Available

Parts List
Only

1997 DAYTONA 1000 (97DTB-1997)
RELATED ITEMS

Page 49 of 63

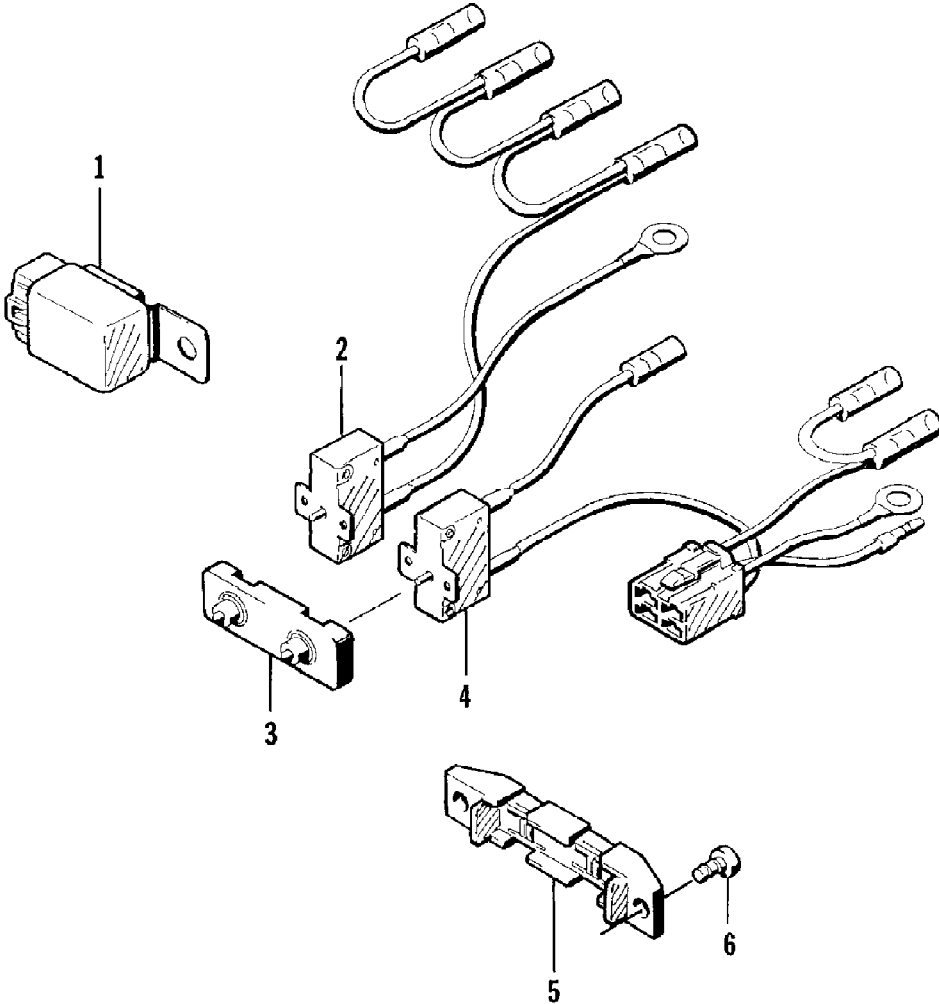
Ref #	Part Number	Qty	S/P/F	Description
	0678-051	1	S	Anchor w/Float and Mooring Rope
	0678-132	1	S	Anchor Bag
	0678-063	1		Battery Charger Kit
	0678-380	1		Buoy Set
	0678-352	1	S	Cover, Premium
	0673-093	1	S	Fire Extinguisher
	0678-274	1		Flush Kit
	0678-129	1	/P	Fold-Up Sharkstand
	0678-277	1	S	Gasket Set (Complete Motor)
	0678-316	1		Gel-Coat Kit - Multi-Color
	0678-348	1		Grease Gun Kit
	0678-136	1		Grips, Handlebar - Red
	0678-252	1	/P	Handlebar Bag - Red
	0678-064	1		Horn Kit
	0678-362	1		Hourmeter
	0678-364	1	/P	Lanyard - Red
	0678-180	1		Lift Harness
	2255-673	1		Manual, Operator's
	2255-737	1		Manual, Parts
	2255-690	1		Manual, Service
	0678-358	1		Mooring Rope - Black
	0678-357	1		Mooring Rope - Dark Blue
	0678-056	1	S	Mooring Rope - Lavender
	0678-052	1	/P	Mooring Rope - Purple
	0678-054	1		Mooring Rope - Red
	0678-055	1		Mooring Rope - Silver
	0678-053	1		Mooring Rope - Teal
	0678-189	1	/P	Nylon Rope - Purple
	0652-041	1		Paint, Touch-Up - Red
	0678-185	1		Plug Caddy - Purple
	0678-149	1		Plug Caddy - Rivet-On
	0678-360	1		Registration Letters - Gold/Black
	0678-361	1		Registration Letters - Red/Black
	0678-224	1		Spark Plug Caps - Red
	0678-135	1		Start/Stop Switch Lock
	0678-373	1		StorTech Plugs (1000)
	0678-045	1	/P	Tie Stake
	0678-372	1		Tiedown Strap - Red
	0678-105	1		Tool Kit



1997 DAYTONA 1000 (97DTB-1997)
SEAT ASSEMBLY

Page 51 of 63

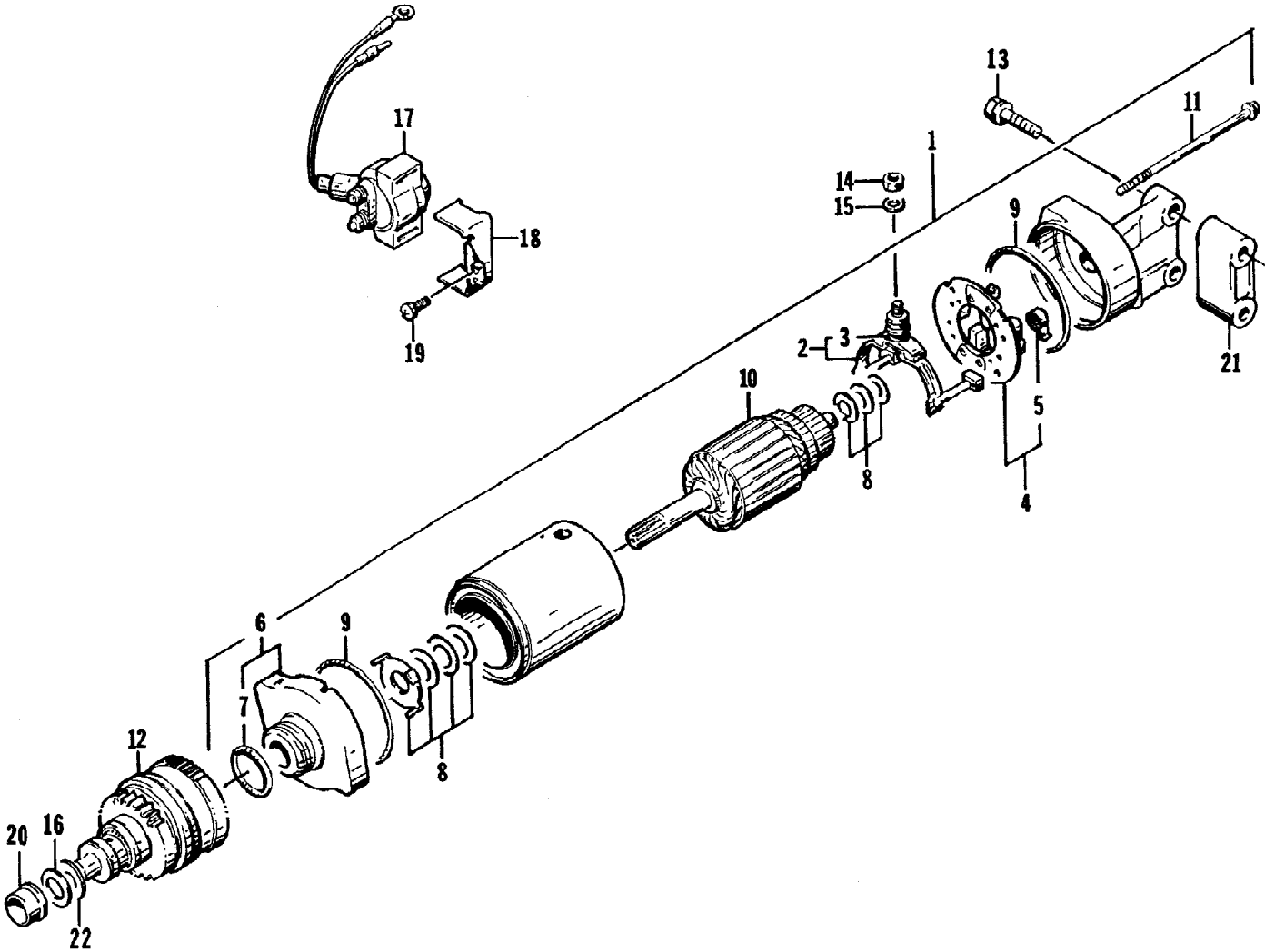
Ref #	Part Number	Qty	S/P/F	Description
	0773-845	1		Complete Seat Assembly
1	0773-612	1		Strap, Seat
2	0773-846	1		Cover, Seat w/Silkscreen
3	0773-611	1		Foam, Seat
4	1673-039	1		Base, Seat
5	1673-396	1		Seal, Seat Base
6	0673-668	1		Catch, Seat
7	0624-094	0		Staple
8	0624-396	6		Nut
9	0624-036	4		Washer, Lock
10	0624-046	2		Screw, Cap
11	0624-262	1	F	U-Bolt, Seat
12	0624-061	2	F	Nut
13	0624-125	2	/P/F	Washer
14	0624-090	2	F	Nut, Lock
15	0624-009	1	F	Nut, Lock
16	0624-022	2		Washer
17	0624-272	2		Screw, Machine
18	0606-586	3	F	Clip, Retaining
19	0610-261	1	F	Hose, Air Exhaust
20	0673-752	1	F	Plate, Backing
21	0624-381	2		Spacer, Seat Latch
22	0673-026	1		Lever, Release - Seat Latch
23	0673-024	1	S	Cover, Latch - Seat
24	0673-025	1		Back, Latch - Seat
25	0673-023	1		Clip, Retaining
26	0624-013	2	F	Washer
27	0624-047	1	F	Nut
28	0624-302	2		Screw, Cap
29	1673-383	1	/P/F	Stud, Latch - Seat
30	0624-126	2	F	Washer, Rubber
31	0623-698	2		Spacer, Seat Latch
32	0773-302	1	F	Vent, Seat - Assembly (inc. 33-34)
33	1673-203	1	F	Vent, Seatbase
34	1673-397	1	F	Seal, Vent - Seatbase



1997 DAYTONA 1000 (97DTB-1997)
SENSOR ASSEMBLY

Page 53 of 63

Ref #	Part Number	Qty	S/P/F	Description
1	3008-297	1	/P	Relay - Assembly
2	3008-348	1	S	Protector, Circuit Charge
3	3008-351	1		Cap, Circuit Protector
4	3008-350	1	/P	Protector, Circuit Load
5	3008-294	1	/P	Holder, Circuit Protector
6	3008-313	2		Screw, Cap

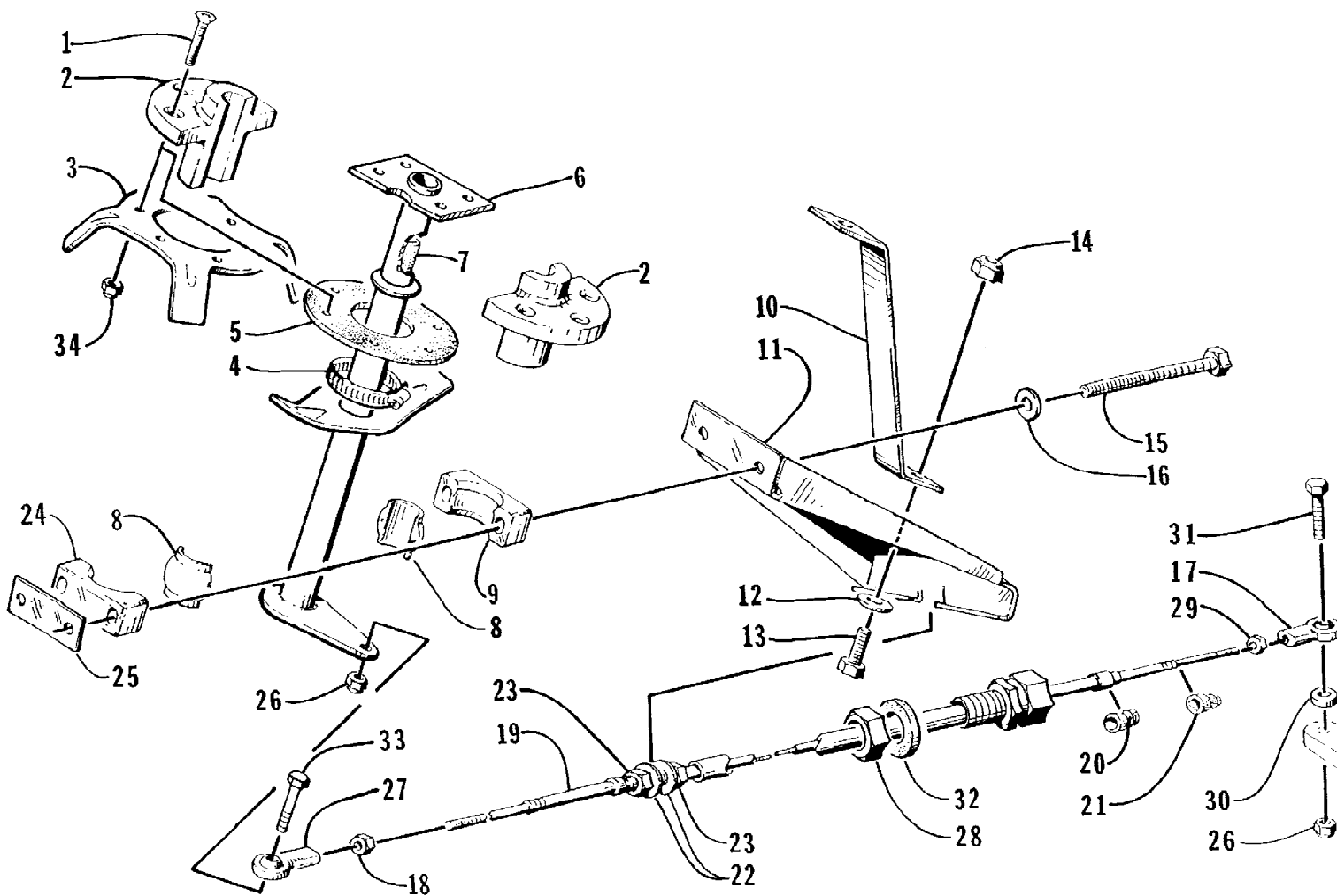


1997 DAYTONA 1000 (97DTB-1997)
STARTER MOTOR ASSEMBLY

Page 55 of 63

Ref #	Part Number	Qty	S/P/F	Description
1	3008-536	1	/P	Starter Motor Assembly (inc. 2-11)
2	3008-094	1	/P	Terminal Set, Brush (inc. 3)
3	3008-164	1		O-Ring
4	3008-095	1	/P	Holder Set, Brush (inc. 5)
5	3008-096	4		Spring, Brush
6	3008-328	1	/P	Front Bracket Assembly (inc. 7)
7	3008-363	1	/P	O-Ring
8	3008-099	2		Washer Set
9	3008-101	2	S	O-Ring
10	3008-103	1		Armature
11	3008-102	2		Screw, Cap
12	3008-408	1	/P	Pinion Assembly
13	3008-447	2		Screw, Cap
14	3008-014	1		Nut
15	3008-020	1		Washer
16	3008-480	2	/P	Washer
17	3008-165	1	/P	Relay
18	3008-140	1		Bracket
19	3008-313	1		Screw, Bracket
20	3008-105	2		Bushing, Pinion Shaft
21	3008-277	1		Spacer, Starter Motor
22	3008-537	1		Washer

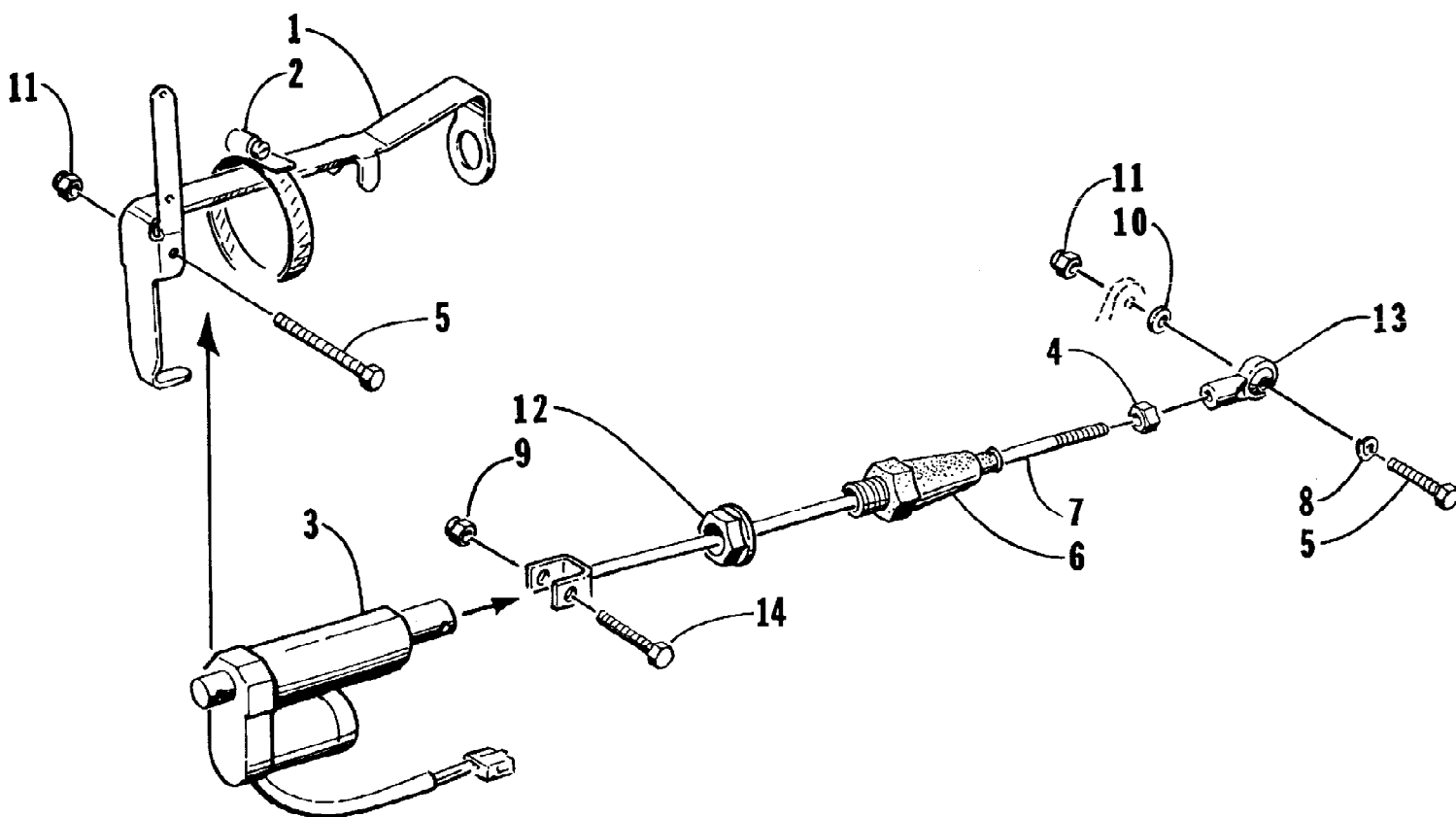
1997 DAYTONA 1000 (97DTB-1997)
STEERING POST ASSEMBLY



1997 DAYTONA 1000 (97DTB-1997)
STEERING POST ASSEMBLY

Page 57 of 63

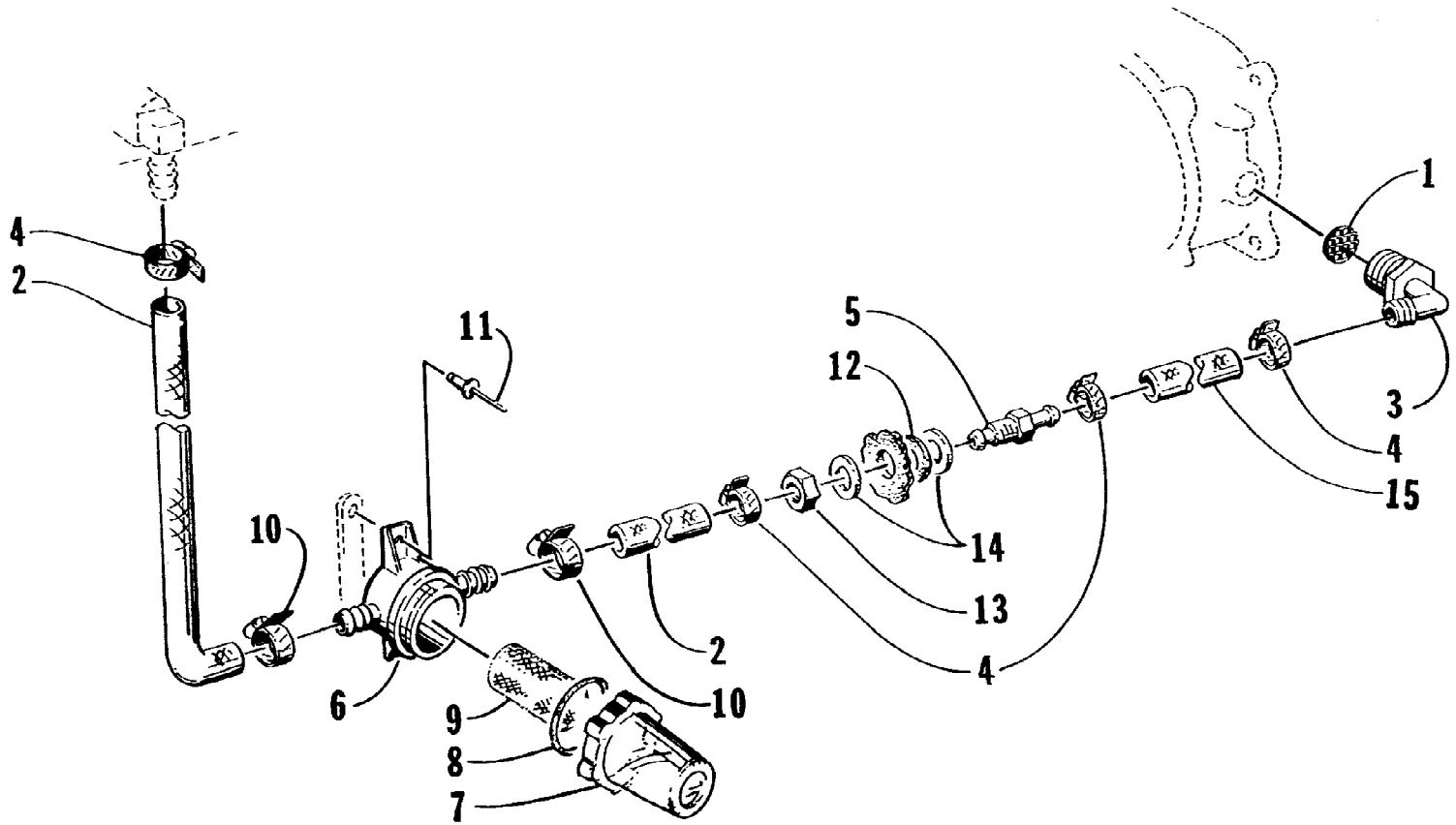
Ref #	Part Number	Qty	S/P/F	Description
1	0624-186	6		Screw, Machine
2	1673-405	2		Bearing, Half-Steering Post
3	1673-315	1		Plate, Backing
4	0624-019	2		Clamp
5	0673-056	1		Seal, Bearing
6	0773-603	1		Post, Steering
7	0717-052	0	/P	Foam, Neoprene Tape
8	0605-149	2		Bearing, Steering Post
9	0605-171	1		Housing, Bearing
10	1673-026	1		Bracket, Support
11	0773-602	1		Bracket, Steering Cable
12	0624-125	1	/P	Washer
13	0624-229	1		Screw, Cap
14	0624-090	1		Nut, Lock
15	0624-192	2		Screw, Cap
16	0624-125	2	/P	Washer
17	0673-932	1		End, Steering Cable
18	0624-107	1		Nut
19	1673-355	1		Cable, Steering
20	0612-363	1		Seal, Rod
21	0612-364	1		Cover, Thread Cap - Steering Cable
22	0624-411	2		Washer
23	0624-105	2		Nut
24	0705-064	1	/P	Housing, Bearing
25	0673-366	1		Spacer, Bearing Housing
26	0624-089	2		Nut, Lock
27	0673-931	1		End, Steering Cable
28	0623-669	1		Nut
29	0624-279	1		Nut
30	0624-381	1		Spacer
31	0624-290	1		Screw, Cap
32	1673-193	1		Gasket, Cable - Foam
33	0624-289	1		Screw, Cap
34	0624-250	6		Nut, Lock



1997 DAYTONA 1000 (97DTB-1997)
TRIM ASSEMBLY

Page 59 of 63

Ref #	Part Number	Qty	S/P/F	Description
1	1673-376	1		Bracket, Mounting - Trim Motor
2	0624-019	1		Clamp
3	1673-291	1		Actuator, Trim
4	0624-279	1		Nut
5	0624-231	2		Screw, Cap
6	1673-371	1		Boot, Trim Rod
7	0773-864	1		Rod, Trim
8	0624-115	1		Washer, Lock
9	0624-250	1		Nut, Lock
10	1673-049	1		Spacer
11	0624-089	2		Nut, Lock
12	0623-648	1		Nut
13	0673-932	1		Rod End
14	0624-056	1		Screw, Cap

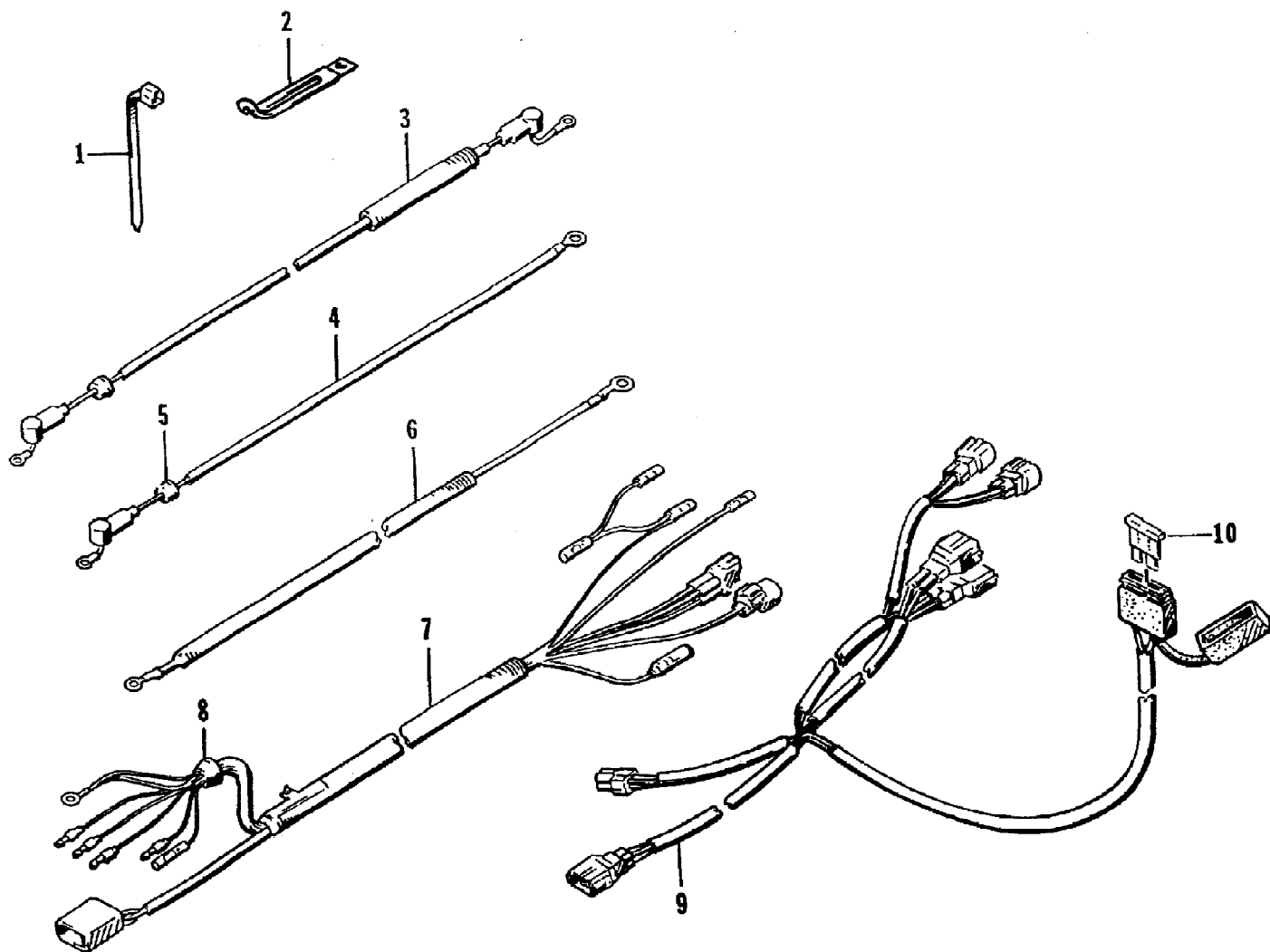


1997 DAYTONA 1000 (97DTB-1997)
WATER FILTER ASSEMBLY

Page 61 of 63

Ref #	Part Number	Qty	S/P/F	Description
1	0675-042	1		Screen
2	0610-268	0		Hose
3	0673-850	1		Fitting, Elbow
4	0624-016	4		Clamp
5	0673-981	1		Fitting, Thru Hull
6	0673-653	1		Filter, Water Assembly (inc. 7-9)
7	0673-669	1		Cover
8	0673-670	1		O-Ring
9	0673-671	1		Screen
10	0624-379	2		Clamp, Hose
11	8060-428	2		Rivet
12	1673-192	1		Seal
13	0624-117	1		Nut
14	0624-222	1		Washer
15	0710-206	1		Hose, Formed

1997 DAYTONA 1000 (97DTB-1997)
WIRING HARNESS



1997 DAYTONA 1000 (97DTB-1997)
WIRING HARNESS

Page 63 of 63

Ref #	Part Number	Qty	S/P/F	Description
1	3008-044	1		Tie, Cable
2	3008-357	2		Clamp
3	3008-466	1		Cable
4	3008-345	1	/P	Cable (inc. 5)
5	3008-334	1	/P	Grommet
6	3008-467	1		Cable, Ground
7	3008-498	1	S	Harness, Wiring
8	3008-362	1	/P	Grommet
9	0686-430	1		Harness, Gauge
10	0630-056	1		Fuse, 3 AMP