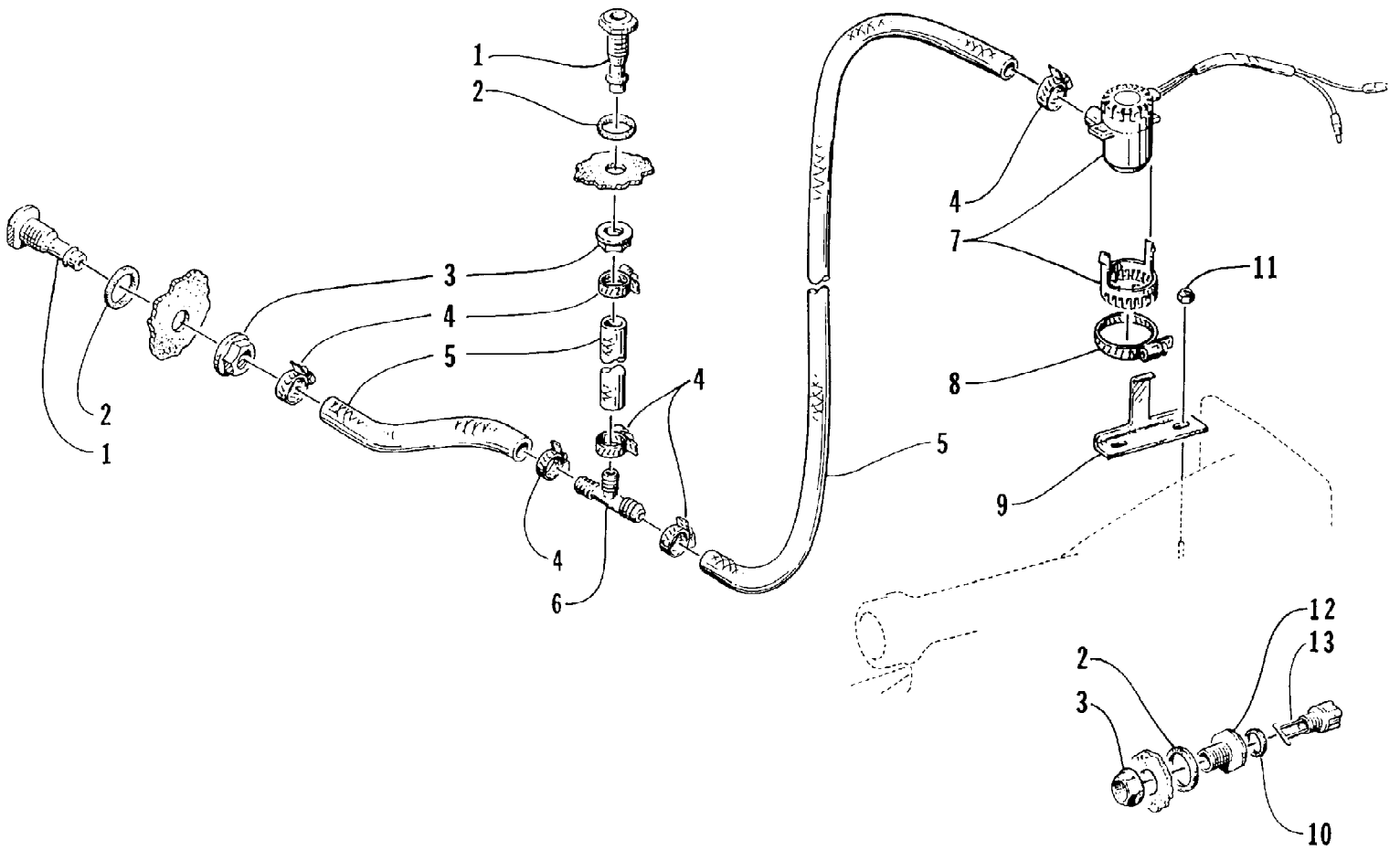


1995 TIGERSHARK 900 (95TGA-1995)
BILGE PUMP ASSEMBLY

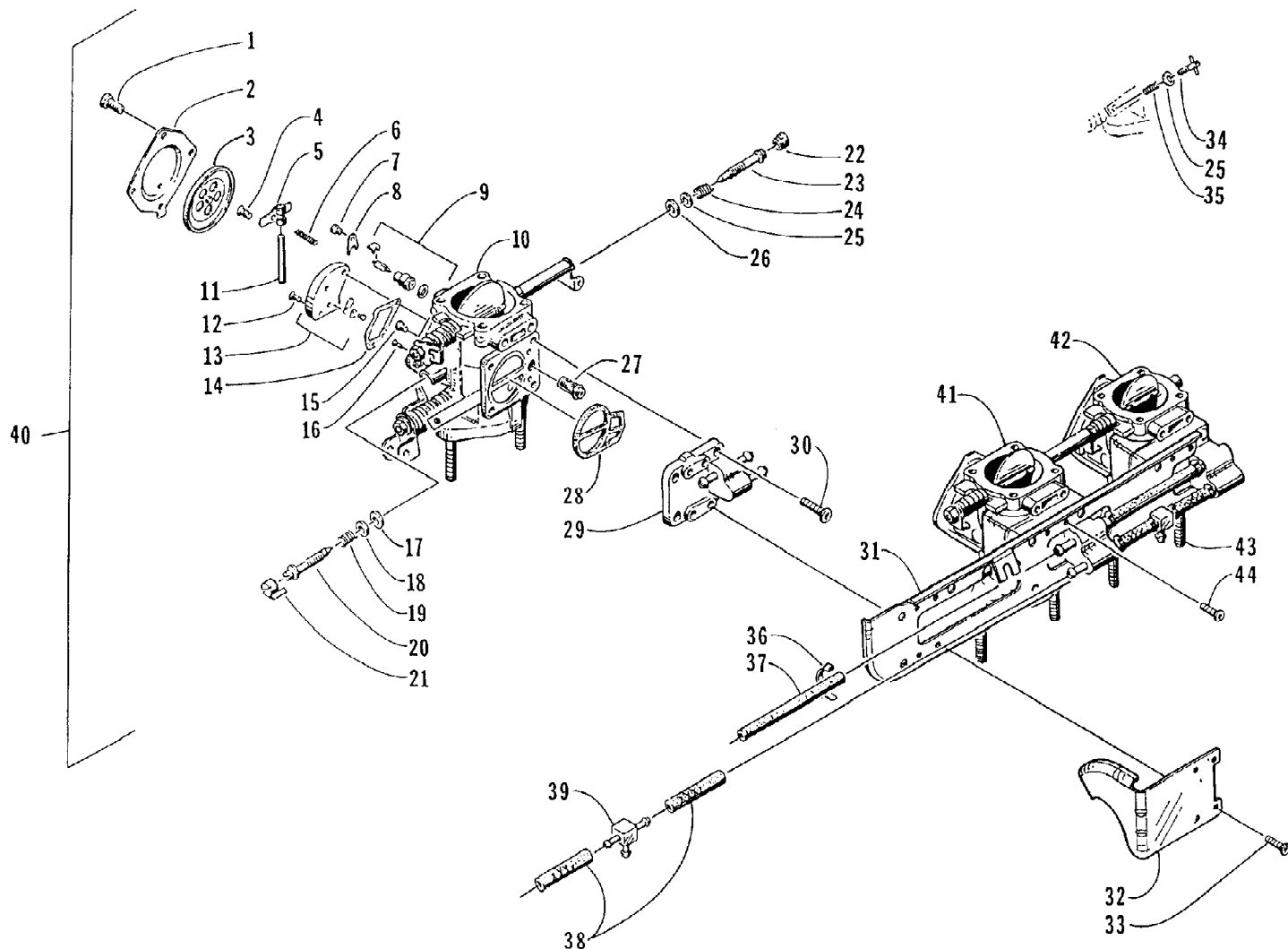


1995 TIGERSHARK 900 (95TGA-1995)
BILGE PUMP ASSEMBLY

Page 2 of 60

Ref #	Part Number	Qty	S/P/F	Description
1	0673-377	2		Fitting, Outlet - Bilge
2	0612-456	3		Seal, Fitting
3	0673-378	3	S	Nut, Fitting
4	0624-018	6		Clamp, Hose
5	0610-202	0	/P	Hose, Bilge
6	0673-483	1		T-Connection
7	0673-012	1		Pump, Bilge
8	0624-037	1		Clamp
9	0673-821	1		Plate, Mounting - Bilge Pump
10	0673-459	1		Seal, Drain Plug
11	0624-021	2		Nut, Lock
12	0673-278	1		Retainer, Drain Plug
13	0673-404	1		Plug, Drain

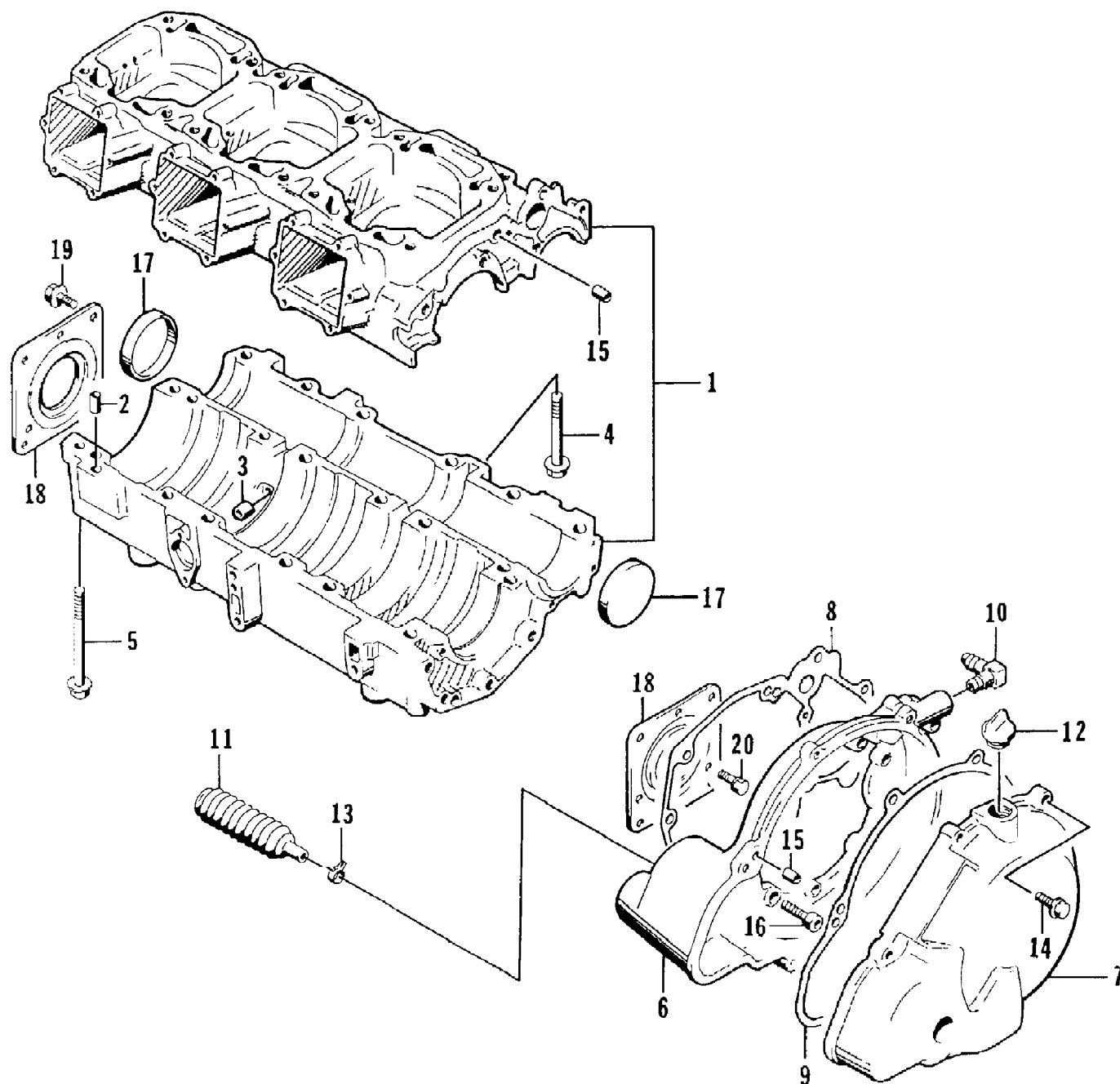
1995 TIGERSHARK 900 (95TGA-1995)
CARBURETOR ASSEMBLY



1995 TIGERSHARK 900 (95TGA-1995)
CARBURETOR ASSEMBLY

Page 4 of 60

Ref #	Part Number	Qty	S/P/F	Description
	0670-444	1		Assembly
1	6505-689	12		Screw, Machine
2	6505-662	3		Cover
3	6505-663	3		Diaphragm Assembly
4	6505-692	3		Screw, Machine
5	6505-664	3		Arm
6	6505-669	3		Spring
7	6505-695	3		Screw, Machine
8	6505-682	3		Plate
9	6505-718	3		Needle Valve Assembly
10	0	3	F	Mixing Body
11	6505-681	3		Pin
12	6505-679	6		Screw, Machine
13	6505-680	3		Block, Metering
14	6505-677	3		Gasket
15	6505-836	1	S	Main Jet - Mag Carb
15	6505-724	2		Main Jet - Center Carb, PTO Carb
16	6505-790	3		Pilot Jet - 110
17	6505-668	3		Seal
18	6505-661	3		Washer
19	6505-660	3		Spring
20	6505-667	3		Adjuster
21	6505-659	3		Cap
22	6505-698	3		Cap
23	6505-699	3		Adjuster
24	6505-678	3		Spring
25	6505-703	4		Washer
26	6505-700	3	S	O-Ring
27	6505-676	3		Filter
28	6505-665	3		S-Gasket
29	6505-863	1		Cover Assembly - Mag Carb
29	6505-864	1		Cover Assembly - Center Carb
29	6505-865	1		Cover Assembly - PTO Carb
30	6505-866	12		Screw, Machine
31	0673-814	1		Plate, Mounting
32	0673-801	1		Bracket, Choke Cable
33	0624-315	4	/P	Screw, Machine
34	6505-702	1		Screw Assembly
35	6505-651	1		Spring
36	0123-811	12		Tie, Cable
37	0610-008	0	/P	Hose
38	6505-868	4		Hose
39	0109-332	2		T-Connection
40	0670-533	1		Mag Carburetor Assembly (inc. 1-30, and 43)
41	0670-534	1		Center Carburetor Assembly (inc. 1-30, 34-35, and 43)
42	0670-535	1		PTO Carburetor Assembly (inc. 1-30, and 43)
43	6505-867	6		. Stud
44	0624-315	8	/P	Screw, Machine

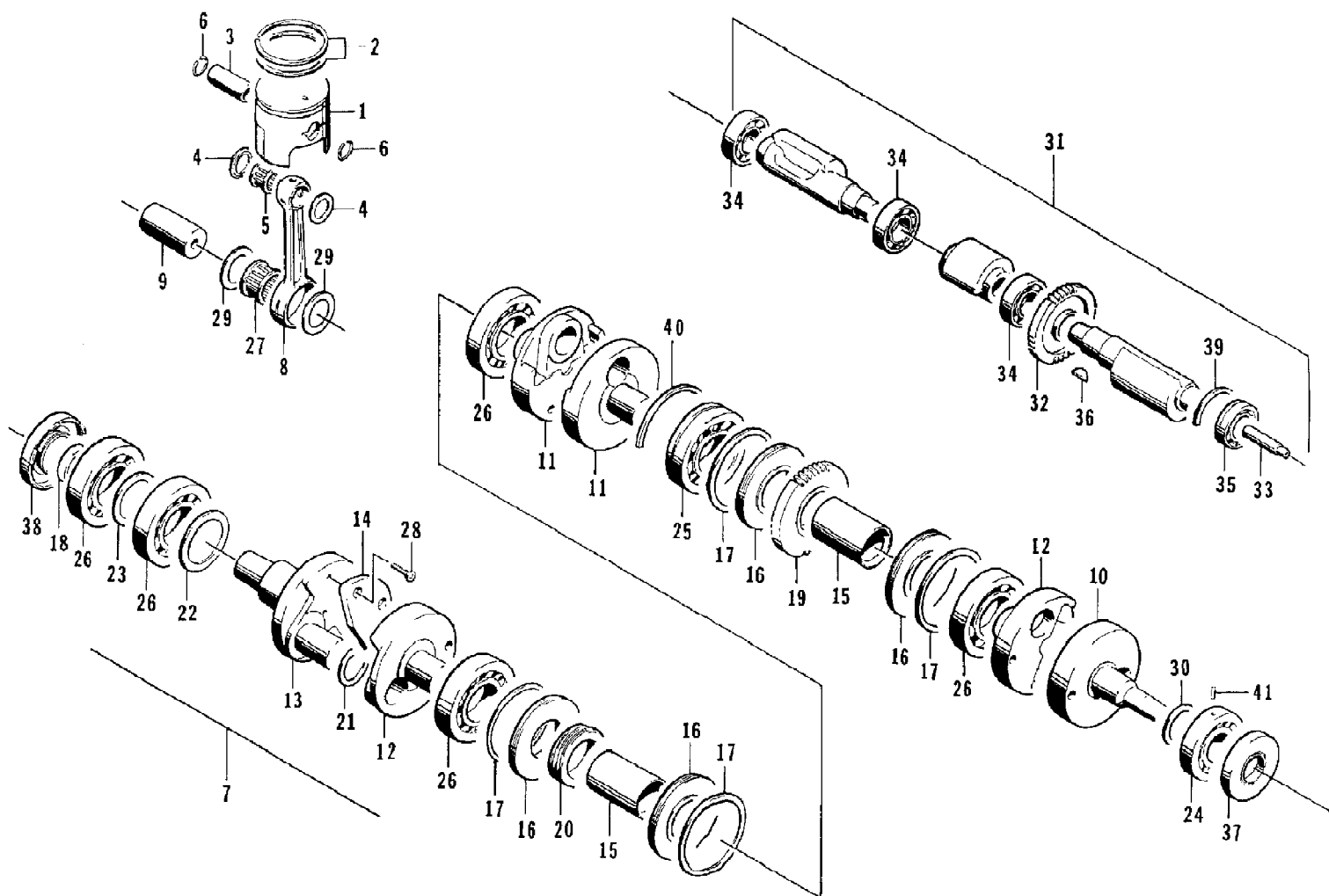


1995 TIGERSHARK 900 (95TGA-1995)
CRANKCASE ASSEMBLY

Page 6 of 60

Ref #	Part Number	Qty	S/P/F	Description
1	3008-256	1		Crankcase Assembly (inc. 2-5)
2	3003-646	2		. Pin, Knock
3	3003-289	1		. Bushing
4	3008-212	6	/P	. Bolt
5	3008-301	14		. Bolt
6	3008-257	1		Case, Magneto
7	3008-258	1		Cover, Magneto Case
8	3008-259	1	S	Gasket, Magneto Case
9	3008-260	1		Gasket, Magneto Case Cover
10	3008-092	1		Union, Cooling Hose
11	3008-100	1		Bladder
12	3008-023	1		Plug, Timing Hole
13	3008-038	1		Clip
14	3008-213	12	/P	Bolt
15	3002-012	4		Pin, Knock
16	3008-303	6		Bolt
17	3004-539	2	/P	Plug, Balancer Shaft
18	3008-304	2	/P	Plate, Oil Seal
19	3008-216	4		Bolt
20	3008-305	3		Bolt

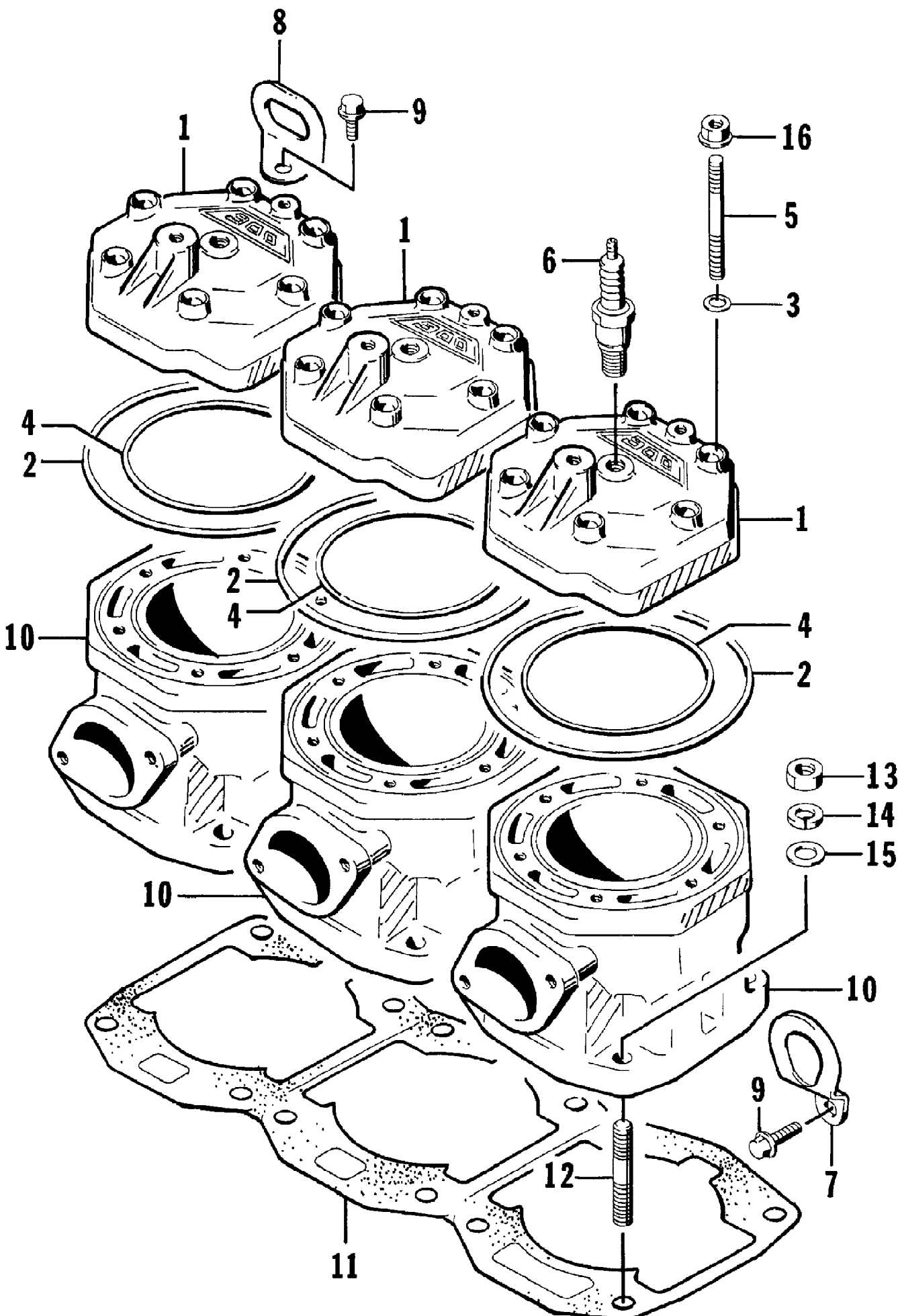
1995 TIGERSHARK 900 (95TGA-1995)
CRANKSHAFT ASSEMBLY



1995 TIGERSHARK 900 (95TGA-1995)
CRANKSHAFT ASSEMBLY

Page 8 of 60

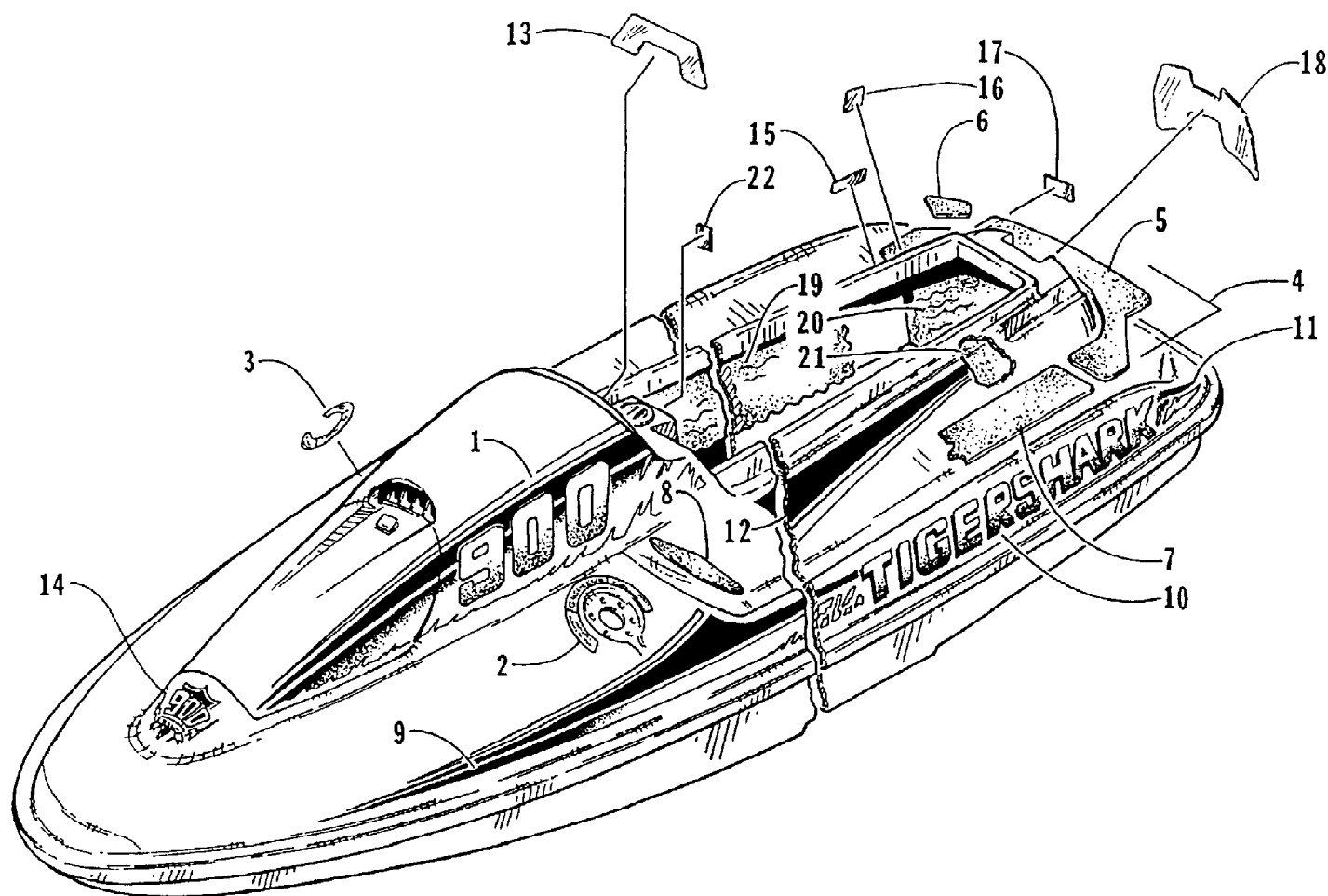
Ref #	Part Number	Qty	S/P/F	Description
1	3004-078	3	S	Piston, Standard
2	3004-079	3		Ring Set, Standard
3	3003-767	3		Pin
4	3004-063	6	S	Washer
5	3003-433	3	/P	Bearing
6	3003-439	6	/P	Ring, Piston Pin Snap
7	3008-299	1		Crankshaft - Assembly (inc. 8-30)
8	3004-503	3	S	. Connecting Rod
9	3004-700	2	/P	. Pin, Crank
10	3008-262	1		. Crankshaft - Right
11	3008-307	2	S	. Crankshaft - Middle
12	3008-308	2	S	. Crankshaft - Middle
13	3008-263	1		. Crankshaft - Left
14	3004-165	1		. Balancer, Crankshaft
15	3004-166	2	S	. Pipe, Crankshaft Joint
16	3004-167	4		. Lace, Middle Crank Seal
17	3004-168	4		. Ring, Middle Crank Seal
18	3008-264	1		. Spacer, Crankshaft
19	3004-172	1	S	. Gear, Balancer Shaft Drive
20	3004-178	1		. Gear, Oil Pump Drive
21	3004-147	1		. Washer, Crank Pin
22	3004-204	1		. Washer, Crank Bearing
23	3004-148	1		. Washer, Crank Bearing
24	3004-150	1		. Bearing, Crankshaft
25	3004-151	1		. Bearing, Crankshaft
26	3004-152	5		. Bearing, Crankshaft
27	3004-138	3	S	. Bearing, Crank Pin
28	3004-372	3	S	. Screw, Crank Balancer
29	3004-205	5		. Washer, Crank Pin
30	3004-206	1	S	. Washer, Crank Bearing
31	3008-265	1		Shaft, Balancer - Assembly (inc. 32-36)
32	3004-173	1	S	. Gear, Balancer Shaft
33	3004-185	1	S	. Shaft, Water Pump
34	3004-505	3		. Bearing, Balancer Shaft
35	3004-504	1		. Bearing, Balancer Shaft
36	3004-540	3	/P	. Key, Balancer Shaft
37	3004-522	1	S	Seal, Crankshaft Oil - Right
38	3004-523	1	S	Seal, Crankshaft Oil - Left
39	3004-156	1		C-Ring, Balancer Shaft
40	3004-157	1		C-Ring, Crankshaft
41	3003-658	7	/P	Pin, Crank Bearing Knock



1995 TIGERSHARK 900 (95TGA-1995)
CYLINDER ASSEMBLY

Page 10 of 60

Ref #	Part Number	Qty	S/P/F	Description
1	3008-253	3	S	Head Assembly - Cylinder
2	3004-081	3		O-Ring
3	3003-227	18	/P	O-Ring
4	3004-080	3		O-Ring
5	3008-389	18	S	Bolt
6	0217-700	3		Plug, Spark (BRE9ES)
7	3008-255	1		Hook, Engine
8	3008-059	1		Hook, Engine
9	3008-390	2		Bolt
10	3008-254	1		Cylinder
11	3004-082	1	S	Gasket, Cylinder
12	3008-300	12		Stud, Bolt
13	3008-209	12	/P	Nut
14	3008-207	12	/P	Washer, Lock
15	3008-237	12	S	Washer
16	3008-309	18	S	Nut

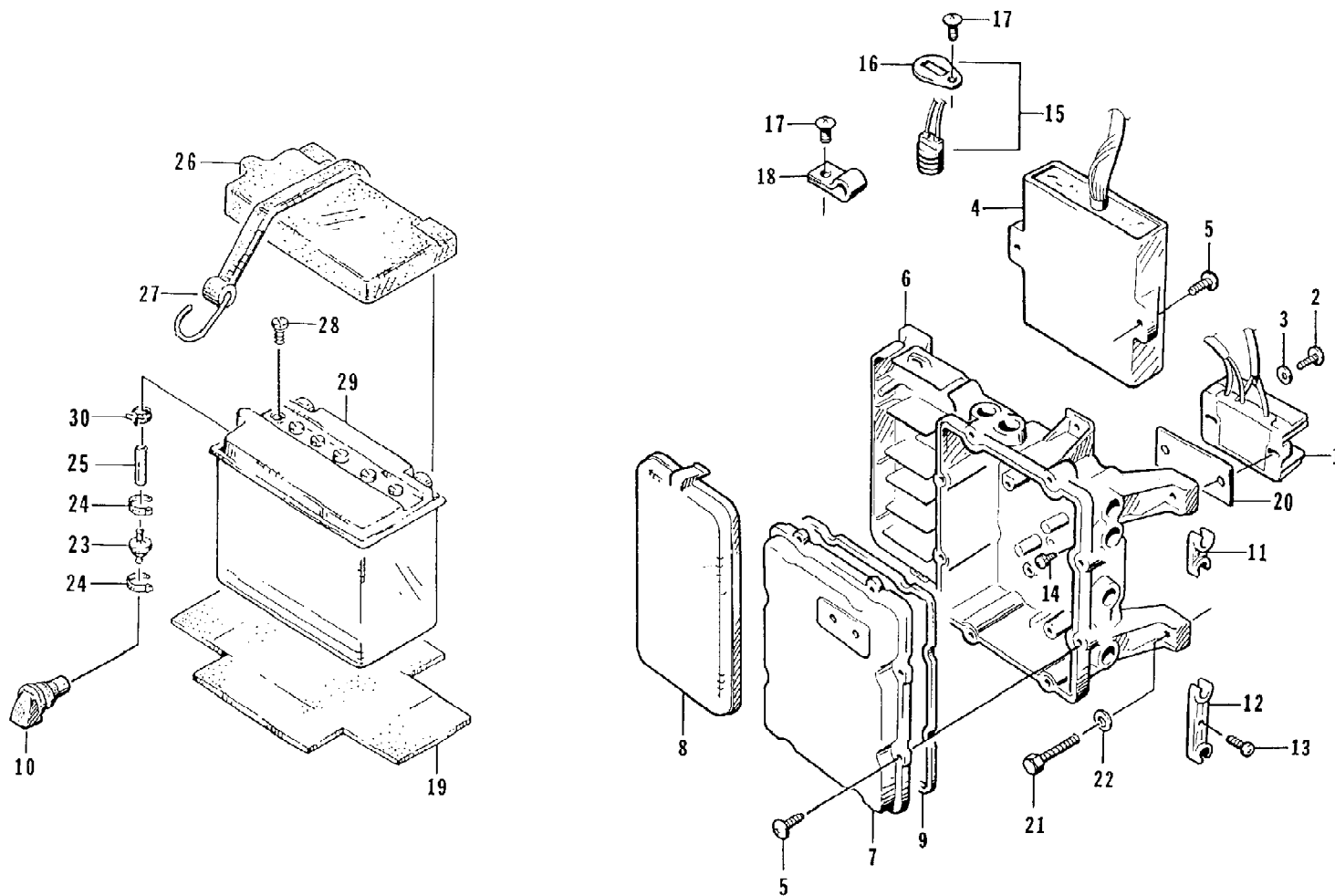


1995 TIGERSHARK 900 (95TGA-1995)
DECAL AND FOOTPAD ASSEMBLY

Page 12 of 60

Ref #	Part Number	Qty	S/P/F	Description
1	0614-126	1		Decal, Hood - Right
1	0614-127	1		Decal, Hood - Left
2	1611-604	1		Decal, Warning Fuel
3	1611-605	1		Decal, Oil Filler
4	0678-097	1		Pad, Foot - Deck Assembly (inc. 5-8)
5	0680-011	1		. Pad, Foot - Rear
6	0680-017	1		. Pad, Foot - Side Left
6	0680-016	1		. Pad, Foot - Side Right
7	0680-014	1		. Pad, Foot - Right
7	0680-015	1		. Pad, Foot - Left
8	0680-012	1		. Pad, Foot - Front Right
8	0680-013	1		. Pad, Foot - Front Left
9	0614-128	1		Decal, Deck Front - Right
9	0614-129	1		Decal, Deck Front - Left
10	0614-130	2		Decal, Deck - "Tigershark"
11	0614-136	1		Decal, Deck Rear - Right
11	0614-137	1		Decal, Deck Rear - Left
12	0614-134	1		Decal, Deck - Right
12	0614-135	1	S	Decal, Deck - Left
13	0614-131	1		Decal, Console
14	0614-133	1		Decal, Crest
15	0614-059	1		Decal, Common Sense
16	0614-067	1		Decal, USCG Exemption
17	0614-154	1		Decal, Caution - Uprighting
18	0614-155	1		Decal, Regulation
19	0617-184	1		Foam, Deck - Right
20	0617-186	1		Foam, Deck - Rear
21	0617-185	1		Foam, Deck - Left
22	1611-866	1		Decal, Warning - Gas Vapors

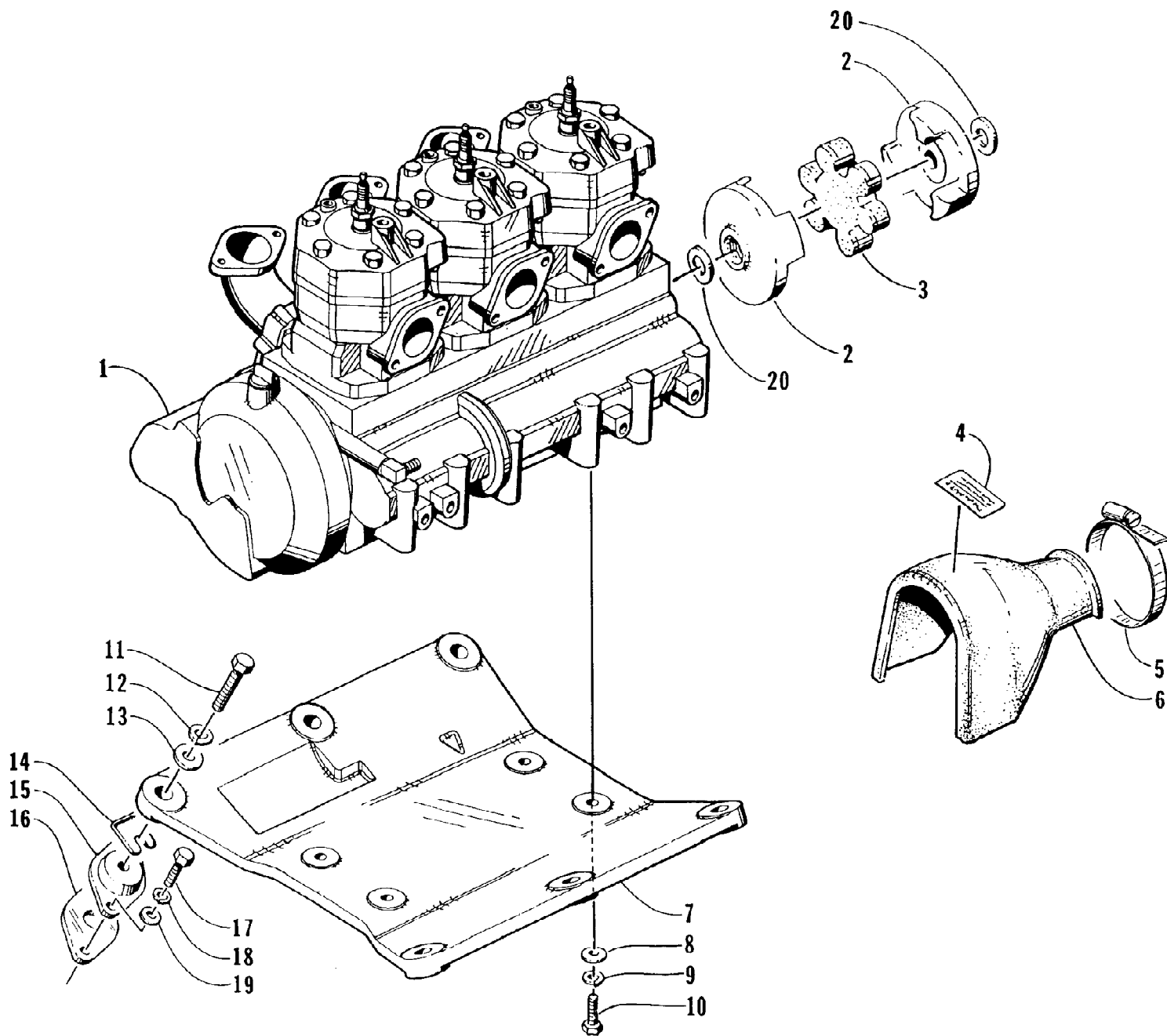
1995 TIGERSHARK 900 (95TGA-1995)
ELECTRICAL MODULE AND BATTERY



1995 TIGERSHARK 900 (95TGA-1995)
ELECTRICAL MODULE AND BATTERY

Page 14 of 60

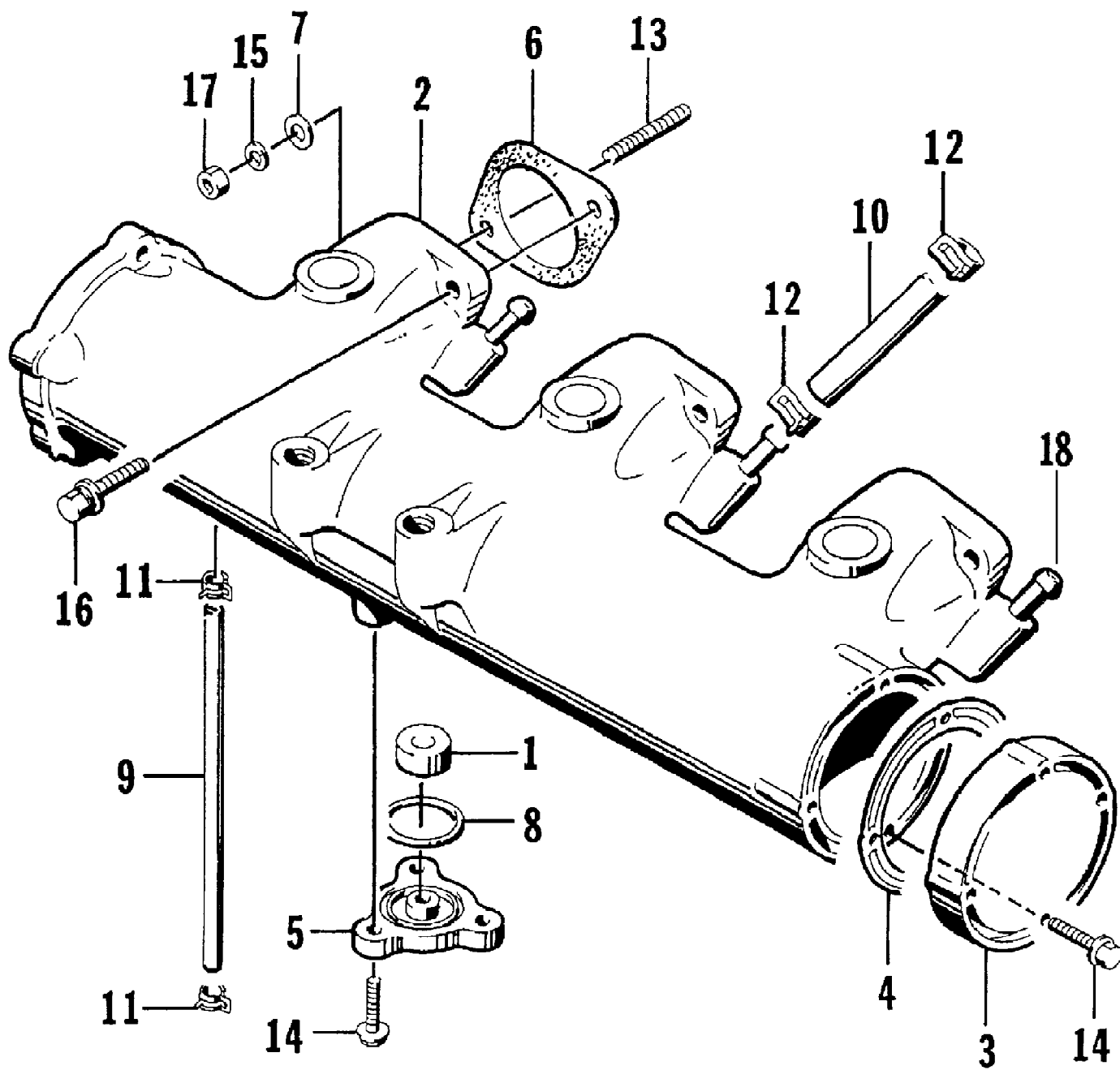
Ref #	Part Number	Qty	S/P/F	Description
1	3008-335	1	S	Regulator Assembly (inc. 2)
2	3008-318	2	S	Screw, Regulator
3	3008-337	2		Washer, Regulator
4	3008-281	1	S	Unit, CDI
5	3008-319	10		Screw, Cap
6	3008-282	1		Case
7	3008-283	1	/P	Cover
8	3008-284	1	/P	Cover
9	3008-285	1	/P	Packing
10	0673-755	1		Vent, Fuel
11	3008-124	3		Holder
12	3008-125	1		Holder
13	3008-379	4		Screw, Cap
14	3008-217	1		Screw, Cap
15	3008-330	1	S/P	Sensor - Assembly (inc. 16)
16	3008-134	1		Supporter
17	3008-219	3		Screw, Machine
18	3008-040	1		Clamp
19	0673-308	1		Pad, Battery
20	3008-336	1	/P	Base, Regulator
21	0624-052	4		Screw, Cap
22	0624-022	4		Washer
23	0670-295	1		Valve, Check
24	0123-811	2		Tie, Cable
25	0645-179	1	S	Hose, Battery Vent
26	0673-454	1		Cover, Battery
27	0773-382	2	/P	Tiedown
28	0645-045	6		Cap, Battery
29	0645-157	1		Battery (inc. 25, 28, and 30)
30	0623-323	1		. Clamp, Hose - Battery



1995 TIGERSHARK 900 (95TGA-1995)
ENGINE AND RELATED ASSEMBLY

Page 16 of 60

Ref #	Part Number	Qty	S/P/F	Description
1	0662-147	1	S	Engine
2	3008-274	2		Coupler, Engine
3	0673-853	1	/P	Dampener, Coupler
4	1611-608	1		Decal, Warning
5	0624-037	1		Clamp, Hose
6	0673-469	1	S	Guard, Coupler
7	0608-147	1	/P	Plate, Engine Mount
8	0624-282	4		Washer
9	0624-281	4		Washer, Lock
10	0624-322	4		Screw, Cap
11	3008-240	6		Screw, Cap
12	3008-021	6		Washer, Lock
13	3008-016	6		Washer
14	0624-014	0	/P	Shim, 0.5 mm
14	0624-015	0	/P	Shim, 1.5 mm
15	3008-054	6		Dampener
16	0673-508	0	/P	Shim, Engine Mount - 0.125 in.
16	0673-509	0		Shim, Engine Mount - 0.063 in.
17	0624-087	12		Screw, Cap
18	0624-027	12		Washer, Lock
19	0624-028	12		Washer
20	3008-018	2		Washer

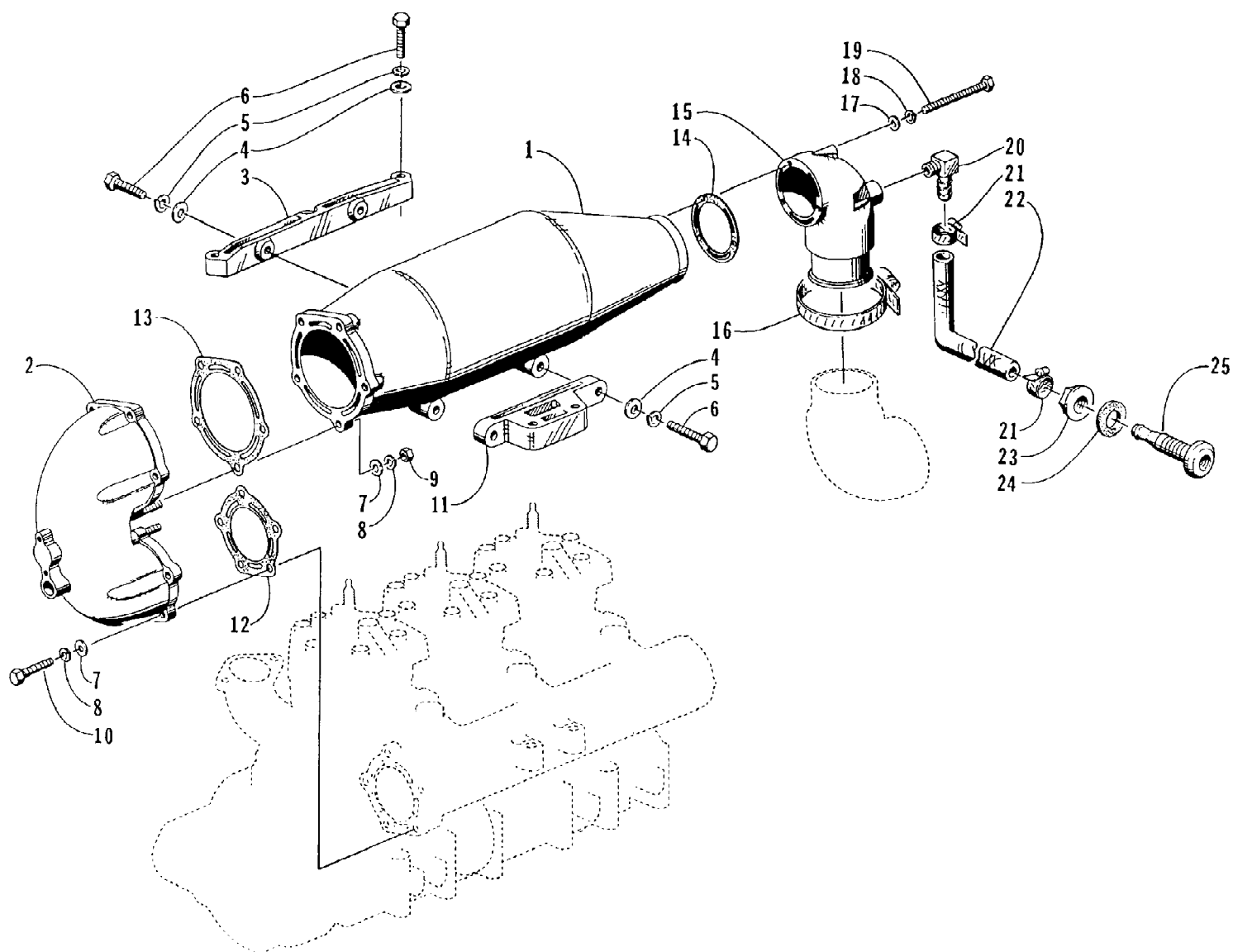


1995 TIGERSHARK 900 (95TGA-1995)
EXHAUST MANIFOLD ASSEMBLY

Page 18 of 60

Ref #	Part Number	Qty	S/P/F	Description
1	3008-047	1		Zinc, Protection
2	3008-267	1	S	Manifold, Exhaust - Assembly
3	3008-268	1		Cover, Exhaust Manifold
4	3008-269	1	S	Gasket, Exhaust Manifold Cover
5	3008-270	1	S	Cover, Protection Zinc
6	3008-271	3	S	Gasket, Exhaust Manifold
7	3008-272	3		Washer
8	3008-250	1		O-Ring, Protection Zinc Cover
9	3008-251	1		Hose, Drain
10	3008-310	3		Hose, Cooling
11	3008-037	2	/P	Clip, Drain Hose
12	3008-039	6		Clip, Cooling Hose
13	3008-391	3		Bolt, Stud
14	3008-213	7	/P	Bolt
15	3008-392	3		Washer, Lock
16	3008-311	3		Bolt
17	3004-478	3	S	Nut

1995 TIGERSHARK 900 (95TGA-1995)
EXPANSION CHAMBER ASSEMBLY

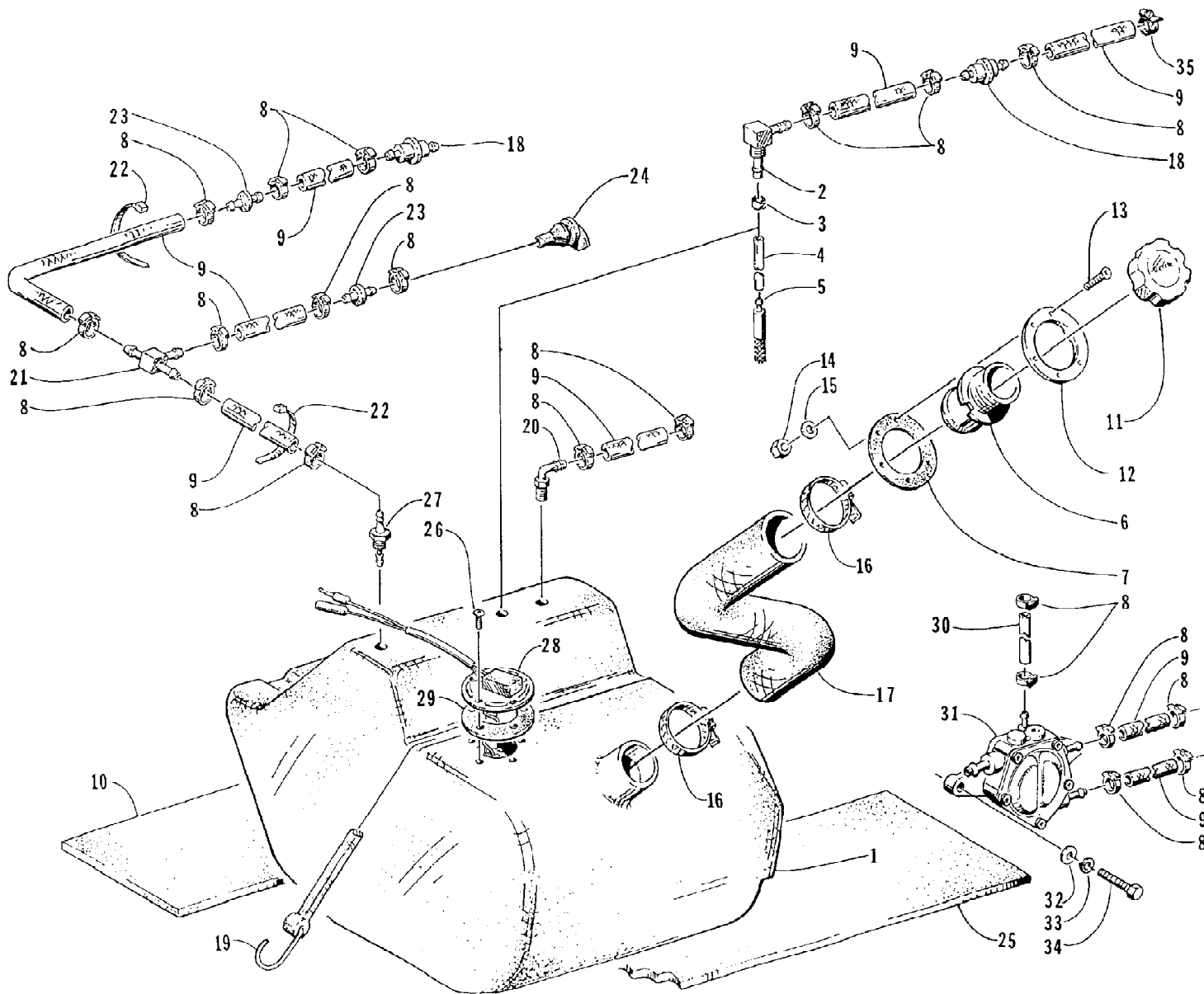


1995 TIGERSHARK 900 (95TGA-1995)
EXPANSION CHAMBER ASSEMBLY

Page 20 of 60

Ref #	Part Number	Qty	S/P/F	Description
1	0673-439	1		Chamber, Expansion
2	0673-438	1		Pipe, Head
3	0673-441	1	/P	Bracket, Expansion Chamber - Upper
4	0624-008	9		Washer
5	0624-012	9		Washer, Lock
6	0624-238	9		Screw, Cap
7	0624-028	10		Washer
8	0624-027	10		Washer, Lock
9	0624-149	2		Nut, Jam
10	0624-087	8		Screw, Cap
11	0673-443	1		Bracket, Expansion Chamber - Lower
12	0612-460	1		Gasket, Manifold
13	0612-461	1		Gasket, Head Pipe
14	0612-462	1		Gasket, Tailpipe
15	0673-440	1		Pipe, Tail
16	0624-037	1		Clamp, Hose
17	0624-022	3		Washer
18	0624-036	3		Washer, Lock
19	0624-284	3		Screw, Cap
20	3008-092	1		Fitting, Elbow
21	0624-016	2		Clamp, Hose
22	0610-106	0	/P	Hose
23	0673-378	1	S	Nut, Outlet
24	0612-456	1		Seal, Outlet
25	0673-374	1		Outlet, Water

1995 TIGERSHARK 900 (95TGA-1995)
GAS TANK ASSEMBLY

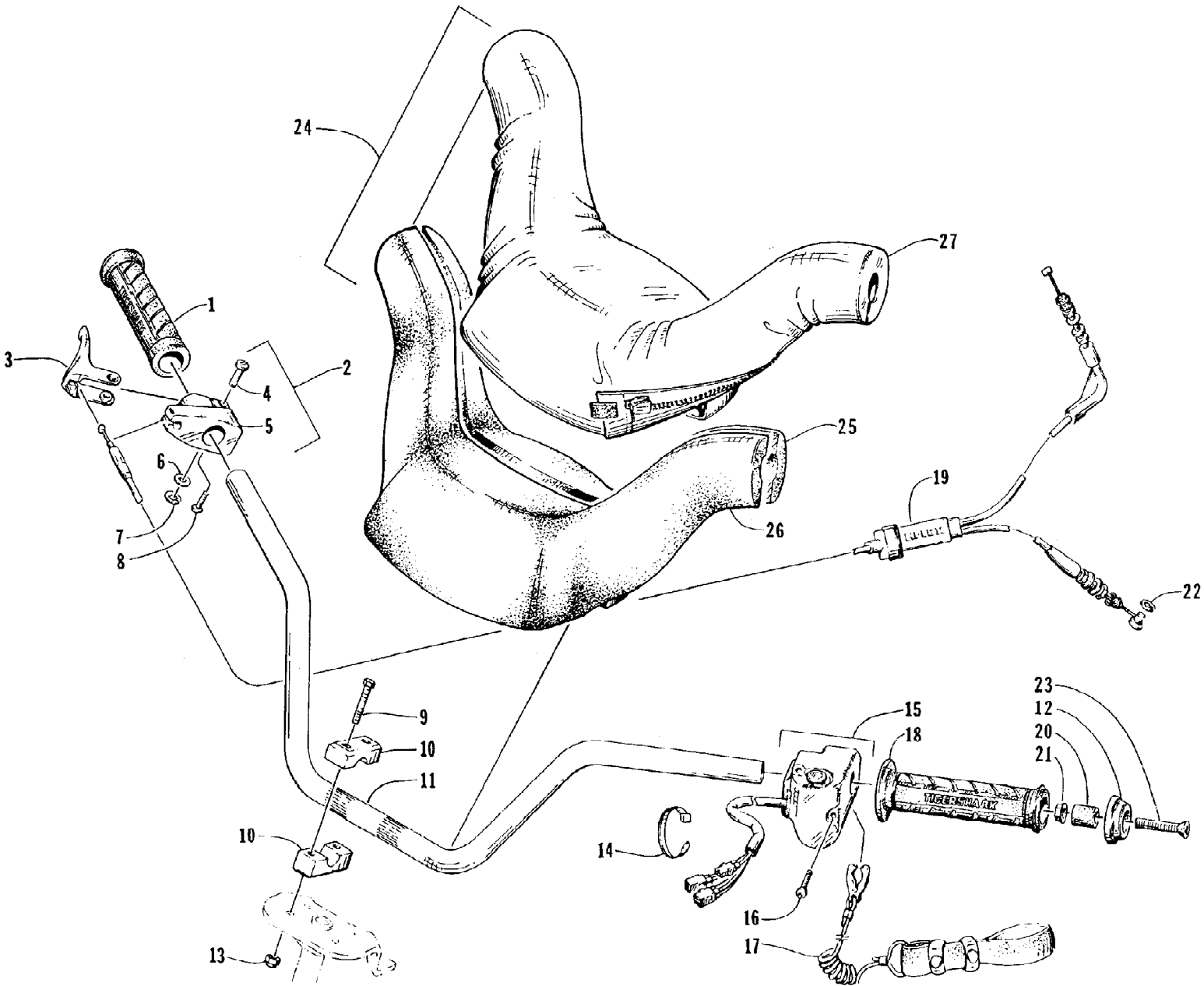


1995 TIGERSHARK 900 (95TGA-1995)
GAS TANK ASSEMBLY

Page 22 of 60

Ref #	Part Number	Qty	S/P/F	Description
1	0770-155	1		Tank, Gas - Assembly (inc. 2-5)
2	0670-416	1		. Fitting, Elbow
3	0673-448	1		. Ring, Compression
4	0710-108	0		. Hose
5	0510-358	1	/P	. Strainer, Gas Tank
6	0670-270	1		Neck, Filler
7	0670-271	1		Seal, Filler Neck
8	0624-120	20		Clamp, Hose
9	0610-107	0		Hose
10	0673-306	1		Pad, Gas Tank - Right
11	0670-448	1		Cap, Gas Gauge
12	0670-304	1		Ring, Mounting - Filler Neck
13	0624-031	6		Screw, Machine
14	0624-005	6	/P	Nut, Lock
15	0624-004	6		Washer
16	0624-037	3		Clamp, Hose
17	0710-109	1	/P	Hose, Filler
18	0510-335	2	/P	Filter, Fuel
19	0773-383	2		Tiedown
20	0115-607	1	S	Fitting, Elbow
21	0109-332	1		T-Connection
22	0123-788	2	/P	Tie, Cable
23	0610-059	2		Valve, Check
24	0673-755	1		Vent, Fuel
25	0673-307	1	/P	Pad, Gas Tank - Left
26	0624-312	5		Screw, Machine
27	0670-042	1	/P	Fitting
28	0620-160	1		Sensor, Fuel Level
29	0670-474	1		Gasket
30	1054-002	1		Hose, Impulse
31	0670-452	1		Pump, Fuel
32	0624-022	2		Washer
33	0624-036	2		Washer, Lock
34	0624-289	2		Screw, Cap
35	0624-324	1		Clamp

1995 TIGERSHARK 900 (95TGA-1995)
HANDLEBAR ASSEMBLY

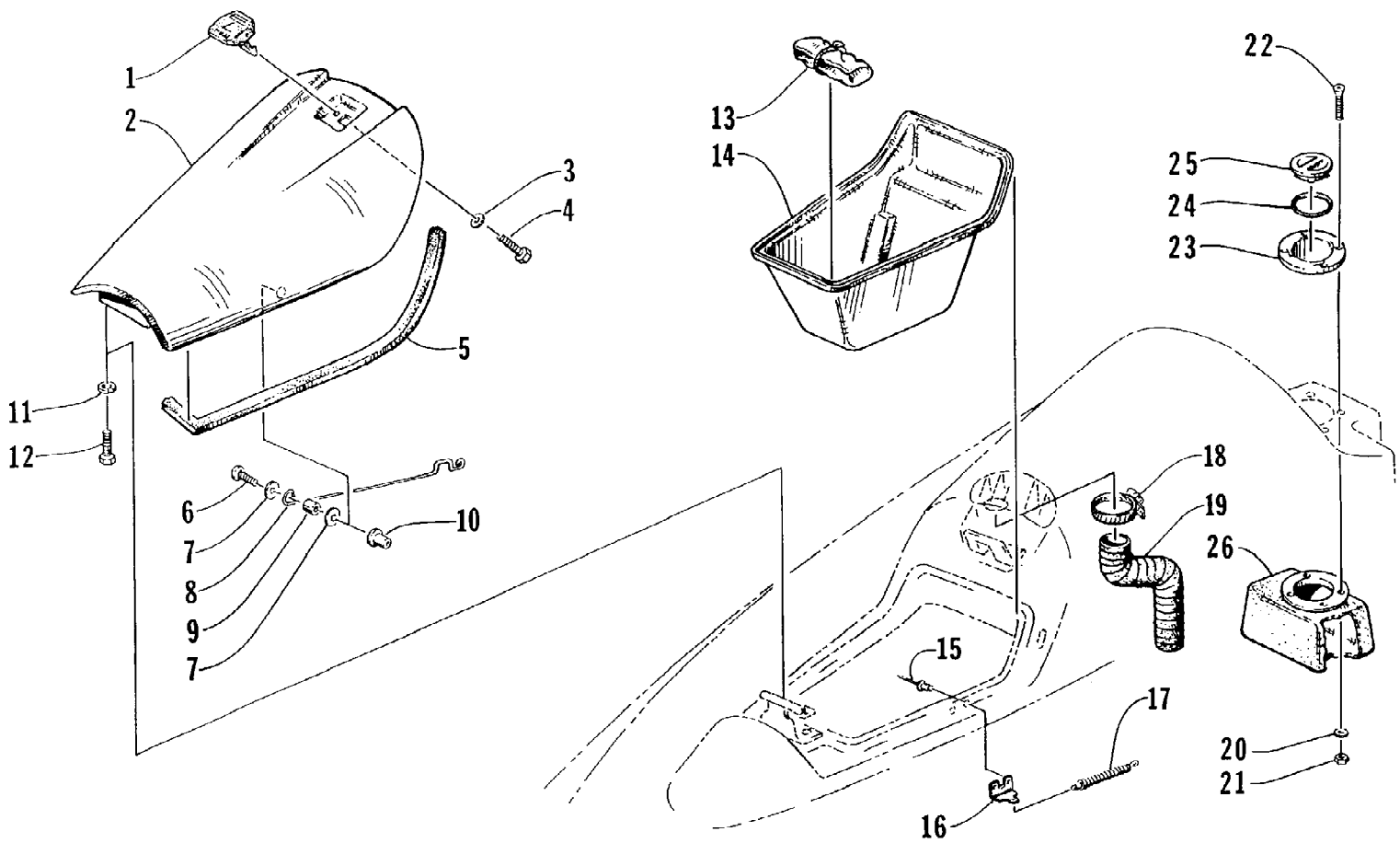


1995 TIGERSHARK 900 (95TGA-1995)
HANDLEBAR ASSEMBLY

Page 24 of 60

Ref #	Part Number	Qty	S/P/F	Description
1	0673-418	1	S	Grip, Handlebar - Right
2	0773-018	1		Throttle, Assembly (inc. 3-8)
3	0605-234	1		. Lever, Throttle
4	0605-236	1		. Pin, Throttle Lever
5	0605-235	1		. Housing, Throttle
6	0624-099	1		. Washer
7	0624-113	1		. C-Clip
8	0624-091	1		. Screw, Machine
9	0624-056	4		Screw, Cap
10	0673-282	4		Cap, Steering Adjuster
11	0673-317	1	S	Handlebar
12	0673-477	2		Cap, End - Grip
13	0624-250	4		Nut, Lock
14	0123-788	1	/P	Tie, Cable
15	0609-201	1		Tether, Switch Assembly (inc. 16-17)
16	0624-148	3		. Screw, Machine
17	0609-176	1	S	. Cord, Tether
18	0673-419	1	S	Grip, Handlebar - Left
19	0687-065	1		Cable, Throttle
20	0673-587	2		Plug, Compression - Grip
21	0624-233	2		Nut, Flange
22	0624-104	1		C-Clip
23	0624-254	2		Screw, Machine
24	0773-285	1		Handlebar Pad - Assembly (inc. 25-27)
25	0605-253	1		. Pad, Handlebar - Rear
26	0605-244	1		. Pad, Handlebar - Front
27	0773-241	1	S	. Cover, Handlebar Pad

1995 TIGERSHARK 900 (95TGA-1995)
HATCH COVER AND STORAGE TRAY

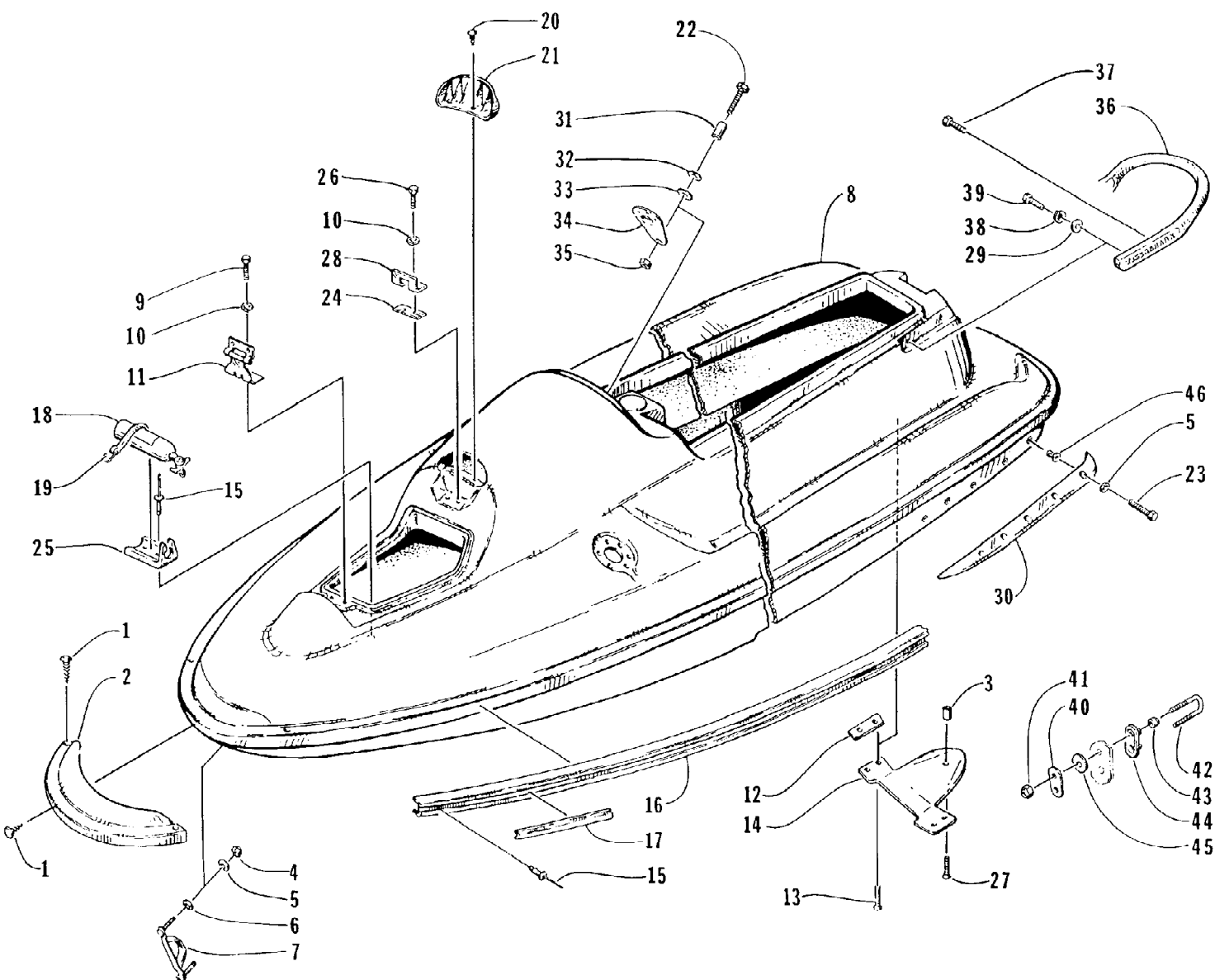


1995 TIGERSHARK 900 (95TGA-1995)
HATCH COVER AND STORAGE TRAY

Page 26 of 60

Ref #	Part Number	Qty	S/P/F	Description
1	0673-177	1		Latch, Hatch Cover
2	0673-452	1		Cover, Hatch
3	0624-004	2		Washer
4	0624-092	2		Screw, Cap
5	0773-440	0	S	Seal, Storage Tray - 25 ft
6	0624-214	1		Screw, Cap
7	0624-182	2		Washer, Lock
8	0773-220	1	/P	Rod, Hood Prop
9	0673-399	1		Spacer, Spring Rod
10	0624-083	1		Nut, Well
11	0624-036	2		Washer, Lock
12	0624-053	2	/P	Screw, Cap
13	0678-105	1		Kit, Tool
14	0673-250	1		Tray, Storage
15	0624-072	2		Rivet
16	0673-397	1		Bracket, Spring Rod
17	0673-400	1		Spring, Hood Prop
18	0624-207	1		Clamp
19	0610-211	1		Hose, Air Intake
20	0624-004	6		Washer
21	0624-005	6	/P	Nut, Lock
22	0624-220	6		Screw, Machine
23	0673-650	1		Ring, Mount
24	0673-754	1		O-Ring
25	0673-649	1	S	Cover, Storage Tube
26	0673-652	1	/P	Container, Storage

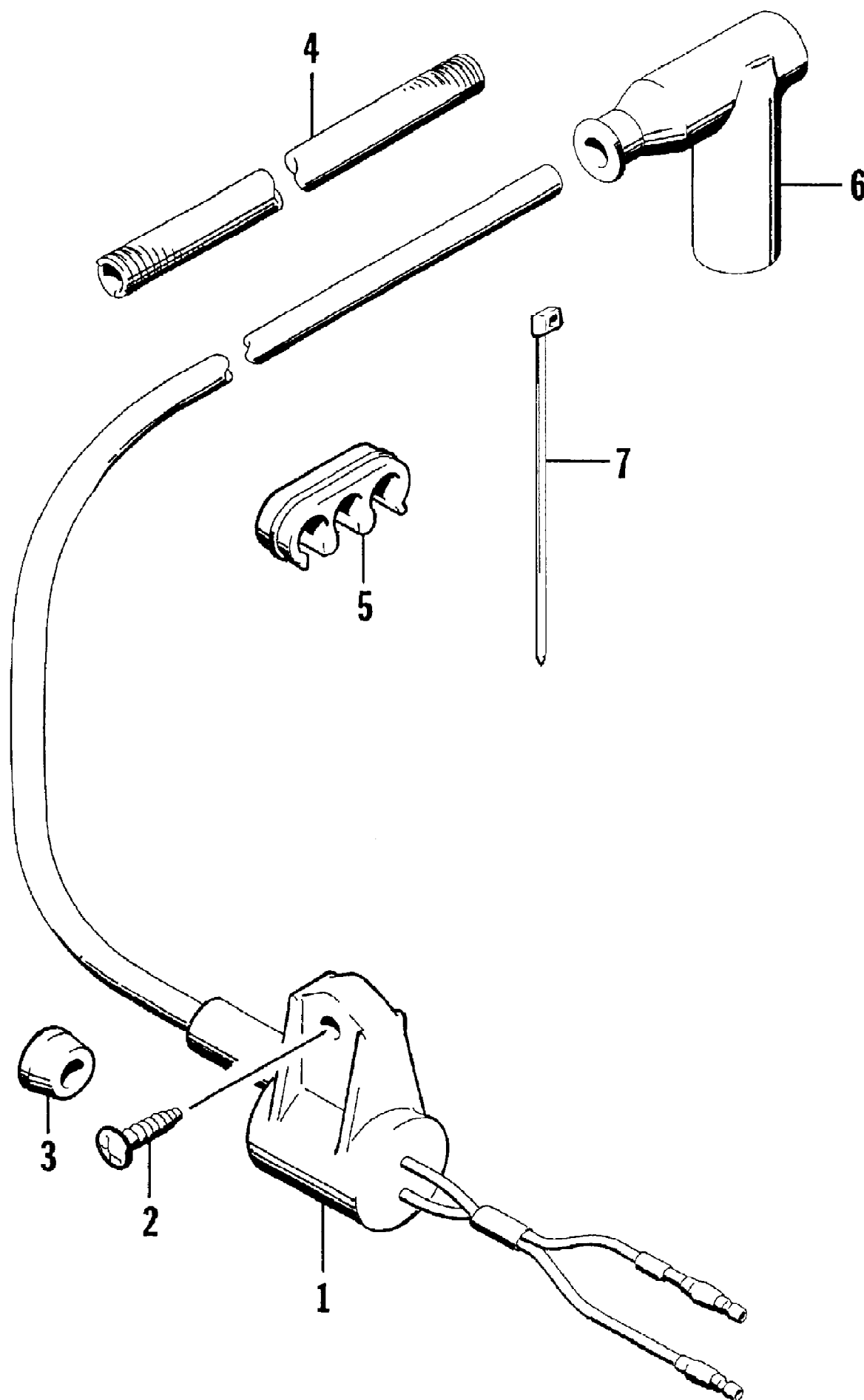
1995 TIGERSHARK 900 (95TGA-1995)
HULL AND RELATED PARTS ASSEMBLY



1995 TIGERSHARK 900 (95TGA-1995)
HULL AND RELATED PARTS ASSEMBLY

Page 28 of 60

Ref #	Part Number	Qty	S/P/F	Description
1	0623-585	4		Clip, Retaining
2	0673-251	1	S	Nose, Cone
3	0673-845	1		Spacer
4	0624-089	2		Nut, Lock
5	0624-247	12		Washer, Flat
6	0624-299	2		Washer, Sealing
7	0773-412	1		Boweye
8	0773-430	1		Hull/Deck - Assembly
9	0624-112	2	/P	Screw, Cap
10	0624-036	4		Washer, Lock
11	0673-781	1	/P	Hinge, Hood - Assembly
12	0673-688	2		Plate, Nut
13	0624-184	6		Screw, Machine
14	0673-840	1	/P	Plate, Ride
15	0624-030	50		Rivet
16	0673-322	1		Trim, Edge - Side
17	0673-778	1		Insert, Edge Trim
18	0	1	F	Extinguisher, Fire
19	0673-128	1	/P	Tiedown, Rubber
20	0623-269	2		Clip, Retaining
21	0673-245	1		Grate, Air Intake
22	0624-223	1		Screw, Cap
23	0624-271	10		Screw, Cap
24	0673-429	0	/P	Shim, Catch
25	0673-681	1	/P	Bracket, Extinguisher
26	0624-092	2		Screw, Cap
27	0624-186	1		Screw, Machine
28	0673-297	1		Catch, Latch
29	0624-228	4		Washer, Flat
30	0673-594	1		Sponson - Right
30	0673-595	1		Sponson - Left
31	0673-485	1		Stop, Steering
32	0624-008	1		Washer
33	0623-391	1		Washer, Rubber
34	0673-417	1		Plate, Backing
35	0624-009	1		Nut, Lock
36	0773-384	1		Handle, Grab
37	0624-230	2		Screw, Cap
38	0624-115	2		Washer, Lock
39	0624-289	2		Screw, Cap
40	0673-657	1		Plate, Backing
41	0624-258	2		Nut, Lock
42	0624-260	1		U-Bolt
43	0624-259	2		Nut, Cone
44	0673-656	1		Plate, Backing
45	0624-159	2		Washer
46	0623-557	10		Insert, Brass

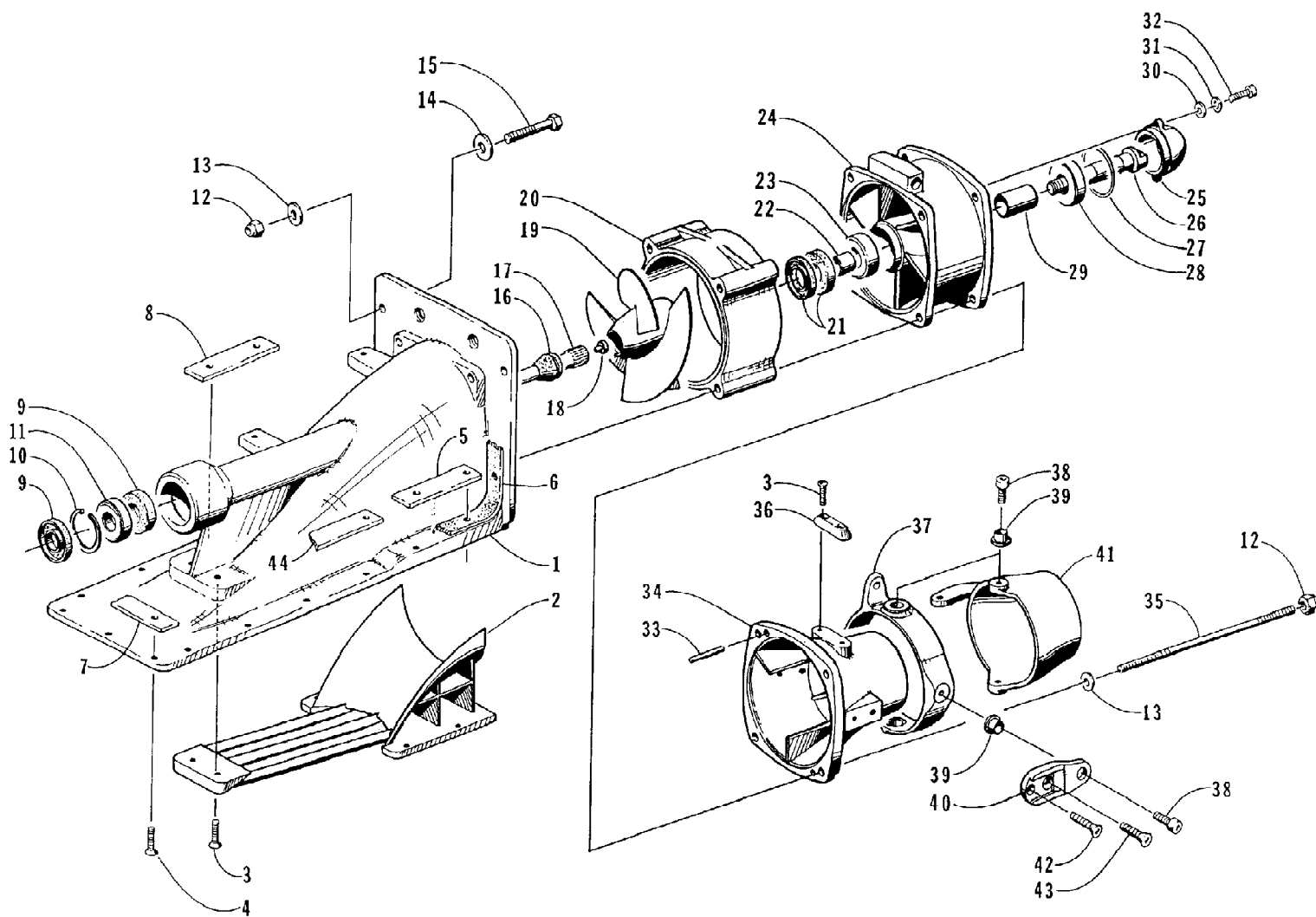


1995 TIGERSHARK 900 (95TGA-1995)
IGNITION COIL

Page 30 of 60

Ref #	Part Number	Qty	S/P/F	Description
1	3008-286	3	S	Coil Assembly, Ignition
2	3008-321	3		Screw, Cap
3	3008-324	3		Grommet
4	3008-323	3	S	Protector, Lead Wire
5	3008-252	1		Clip
6	3003-737	3	S	Cap Assembly, Spark Plug
7	3003-787	3		Tie, Cable

1995 TIGERSHARK 900 (95TGA-1995)
IMPELLER DRIVE ASSEMBLY

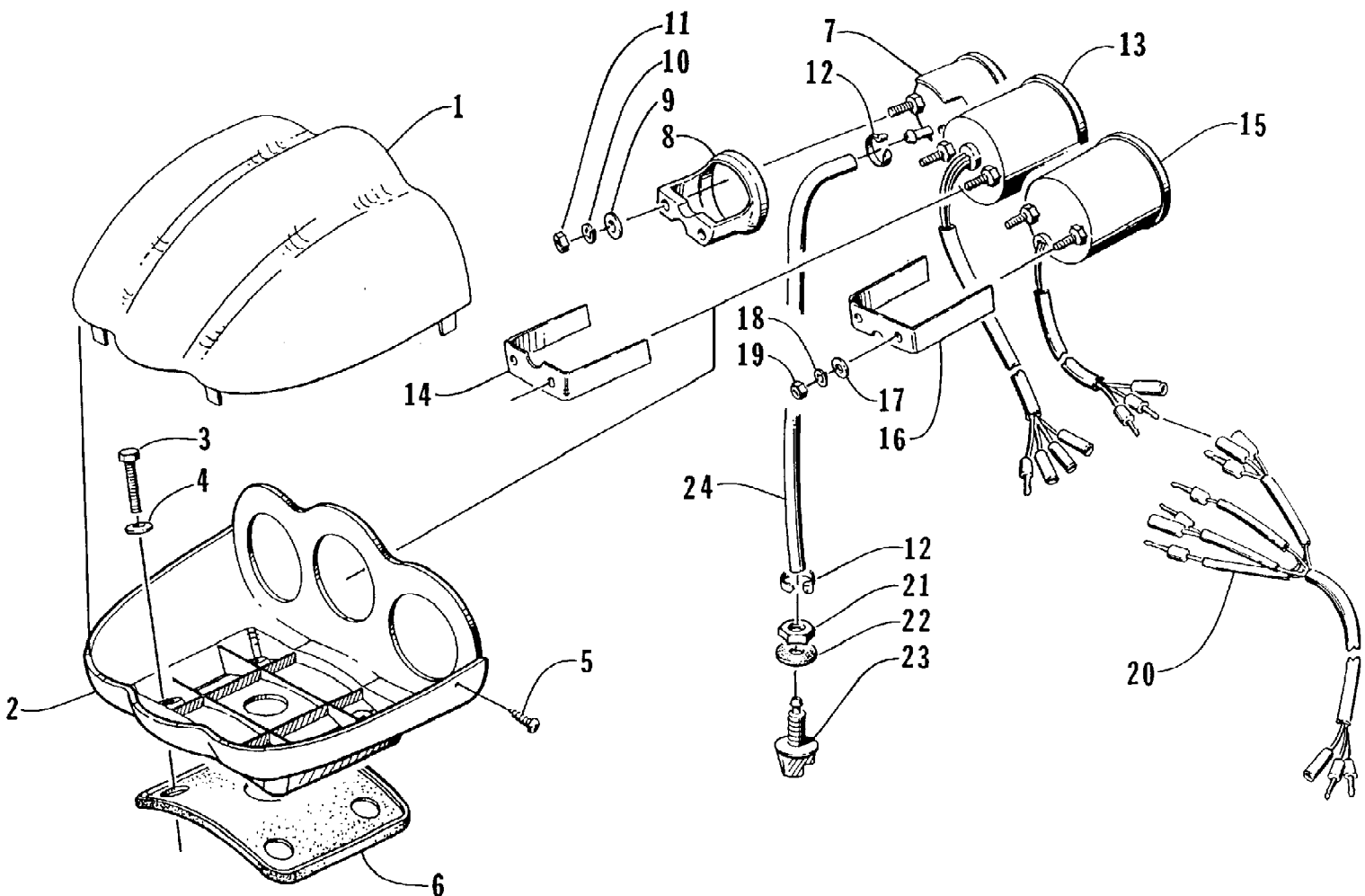


1995 TIGERSHARK 900 (95TGA-1995)
 IMPELLER DRIVE ASSEMBLY

Page 32 of 60

Ref #	Part Number	Qty	S/P/F	Description
1	0673-532	1		Inlet, Pump
2	0673-533	1		Grate, Inlet
3	0624-183	8		Screw, Machine
4	0624-186	15		Screw, Machine
5	0673-689	1		Plate, Backing
6	0612-515	1		Seal, Pump
7	0673-009	1		Plate, Nut
8	0773-482	1		Plate, Backing
9	0673-031	2		Seal
10	0624-043	1		Ring, Snap
11	0673-030	1		Bearing
12	0624-009	8		Nut, Lock
13	0624-008	8		Washer, Flat
14	0624-264	4		Washer, Seal
15	0624-007	4		Screw, Cap
16	0673-787	1	S	Grommet
17	0673-849	1	/P	Driveshaft
18	0673-618	1	/P	Bumper, Driveshaft
19	0673-779	1	/P	Impeller
20	0673-535	1		Ring, Wear
21	0673-613	2	S	Seal
22	0673-612	1	S	Spacer
23	0673-609	1		Bearing
24	0673-606	1	S	Stator
25	0673-604	1	S	Cover
26	0673-614	1		Shaft, Rear
27	0673-824	1		O-Ring
28	0673-610	1	/P	Bearing
29	0673-611	1		Spacer
30	0624-022	2		Washer, Flat
31	0624-036	2		Washer, Flat
32	0624-053	2	/P	Screw, Machine
33	0673-655	2		Pin, Alignment
34	0673-839	1	/P	Venturi
35	0624-300	4		Stud
36	0624-084	1		Anode, Zinc
37	0673-732	1		Ring, Trim
38	0624-174	4		Screw, Machine
39	0673-291	4		Bushing
40	0673-786	2		Bracket, Trim
41	0673-538	1		Nozzle, Steering
42	0624-272	2		Screw, Machine
43	0624-273	2		Screw, Machine
44	0673-690	1		Plate, Backing

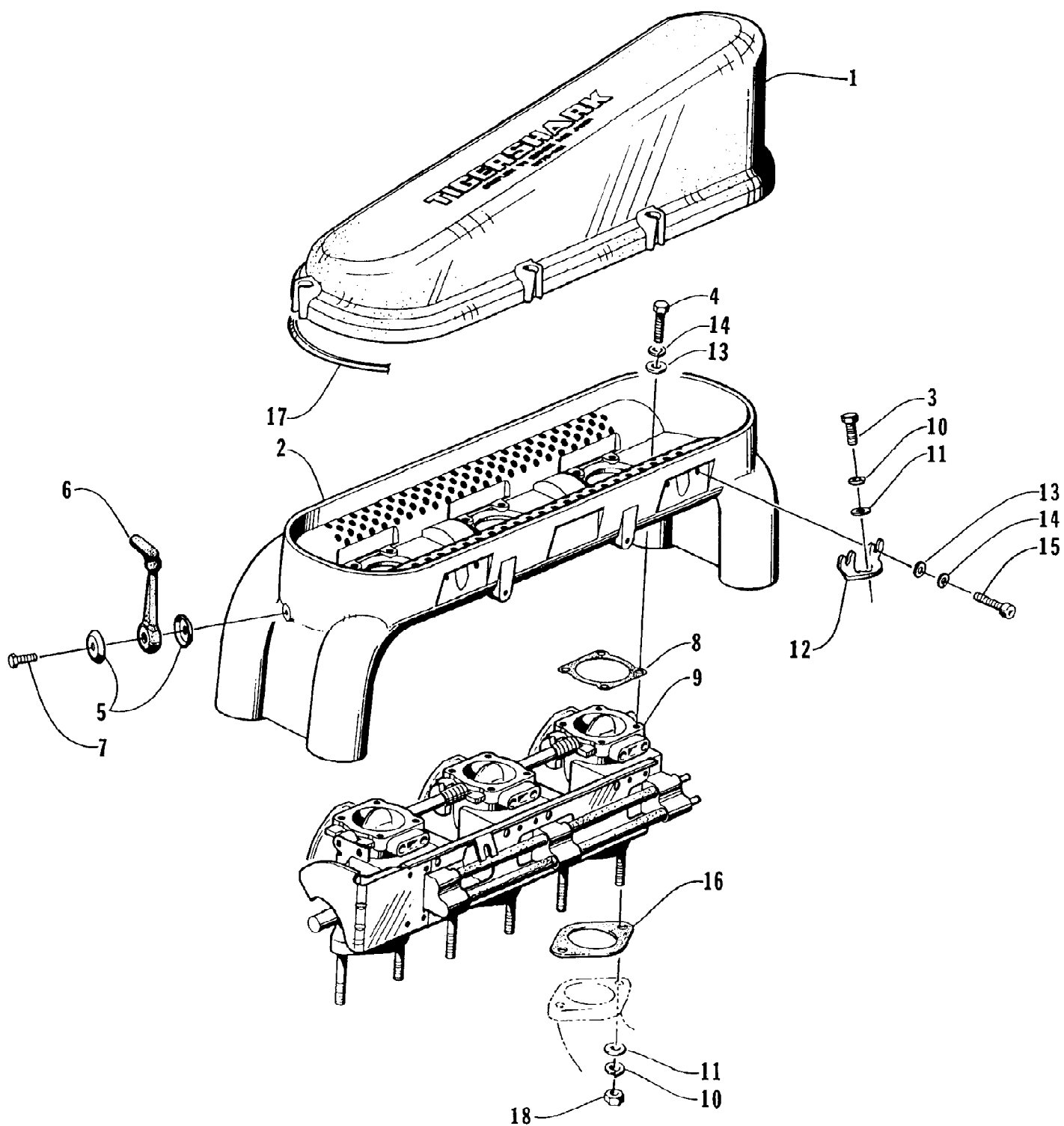
1995 TIGERSHARK 900 (95TGA-1995)
INSTRUMENT CONSOLE ASSEMBLY



1995 TIGERSHARK 900 (95TGA-1995)
INSTRUMENT CONSOLE ASSEMBLY

Page 34 of 60

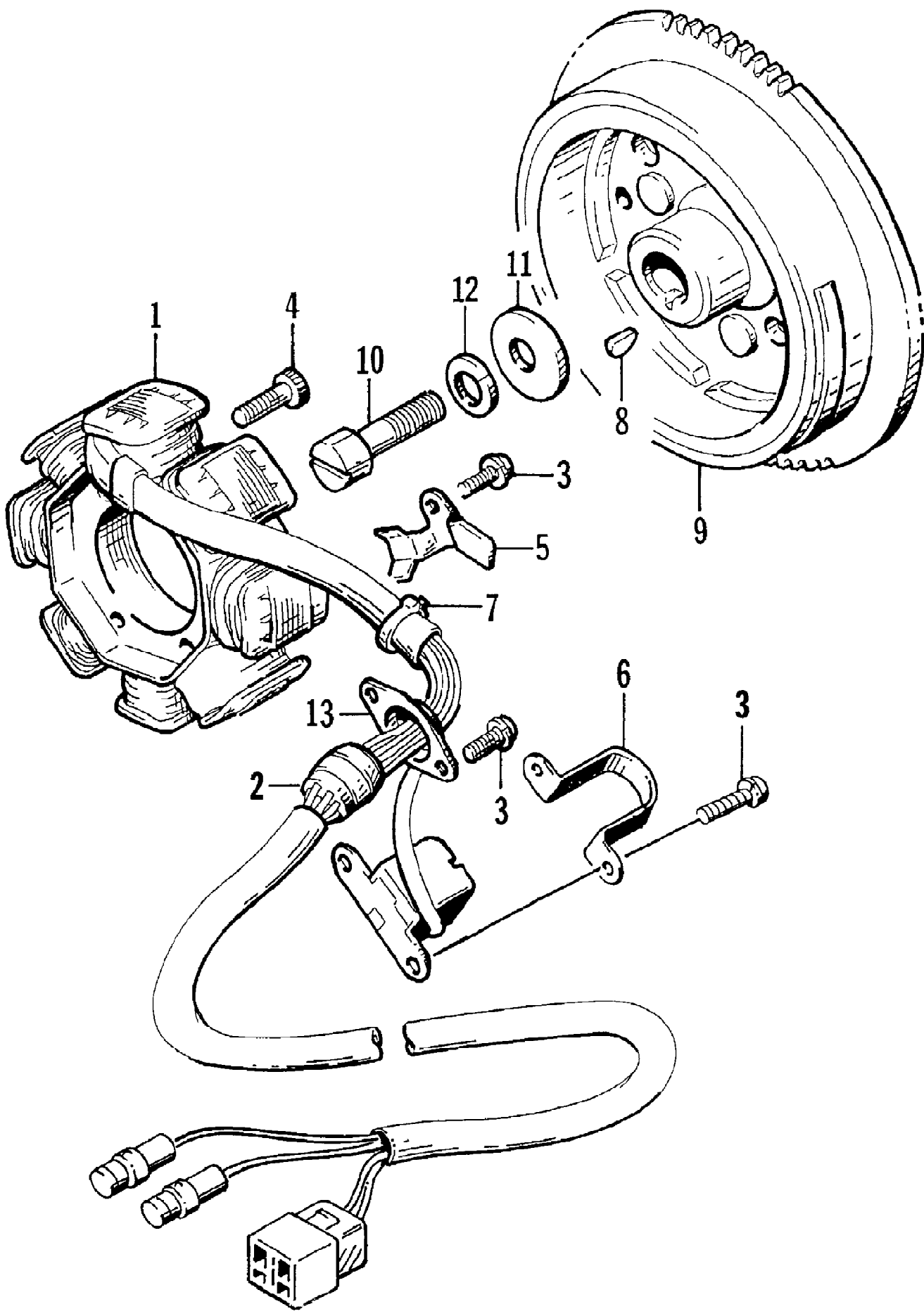
Ref #	Part Number	Qty	S/P/F	Description
1	0673-625	1	S	Console, Instrument - Upper
2	0673-626	1		Console, Instrument - Lower
3	0624-289	4		Screw, Cap
4	0624-247	4		Washer, Flat
5	0624-287	4		Screw, Self-Tapping
6	0673-667	1		Gasket, Console
7	0620-120	1		Speedometer
8	0620-126	1		Backclamp, Speedometer
9	0624-331	2		Washer
10	0624-330	2		Washer, Lock
11	0624-329	2		Nut, Jam
12	0123-811	2		Tie, Cable
13	0620-159	1	S	Gauge, Fuel
14	0620-165	1		Backclamp, Fuel Gauge
15	0620-158	1	S	Tachometer
16	0620-127	1		Backclamp, Tachometer
17	0624-328	4		Washer
18	0624-327	4		Washer, Lock
19	0624-326	4		Nut, Jam
20	0686-289	1		Harness, Gauge
21	0673-348	1		Nut, Pitot
22	0673-349	1		Seal, Pitot Tube
23	0673-362	1	S	Pitot
24	0710-029	0	S	Hose



1995 TIGERSHARK 900 (95TGA-1995)
INTAKE ASSEMBLY

Page 36 of 60

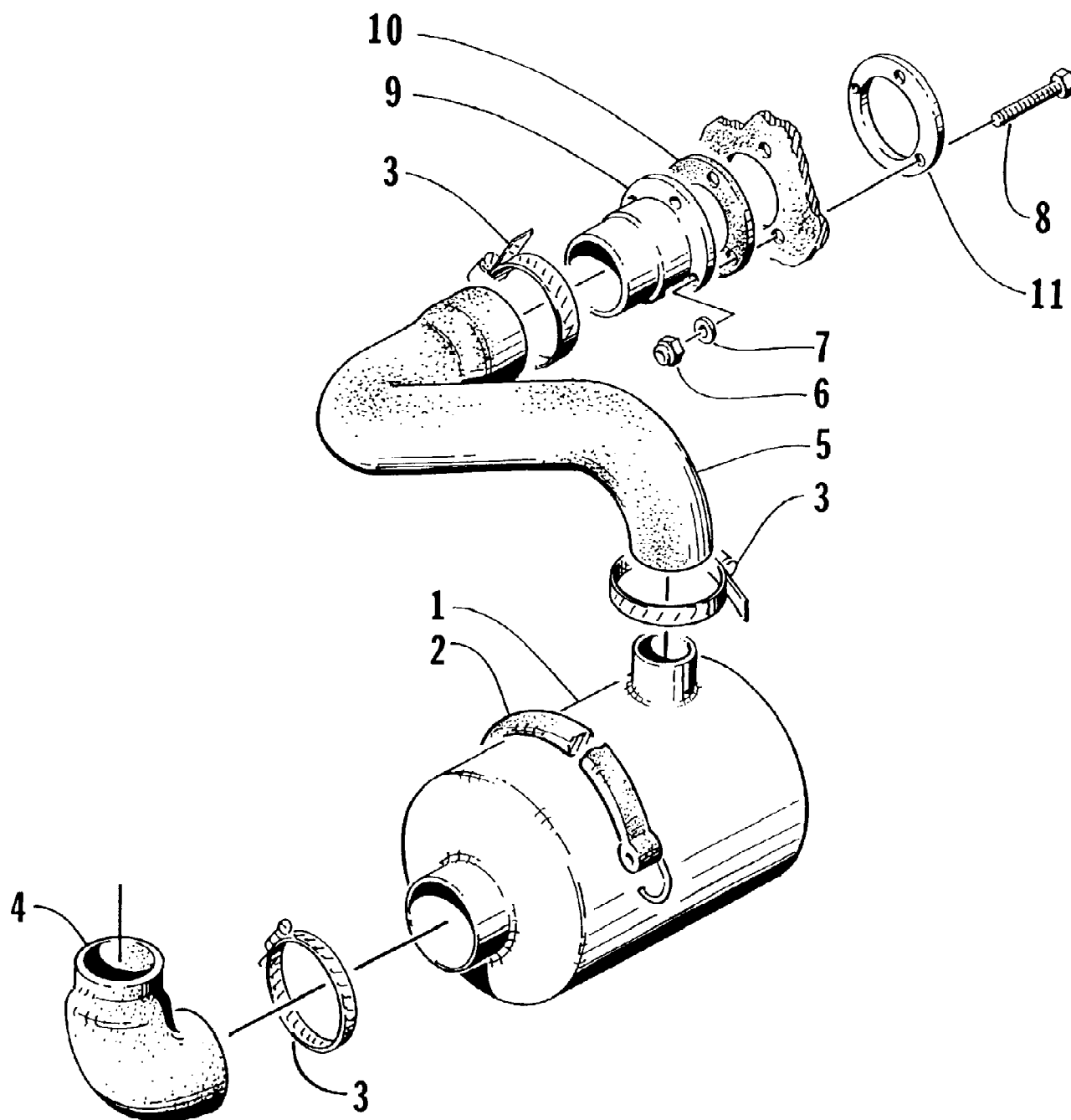
Ref #	Part Number	Qty	S/P/F	Description
1	0673-621	1		Cover, Intake
2	0673-622	1		Base, Intake
3	0624-085	2		Screw, Cap
4	0624-112	12	/P	Screw, Cap
5	0623-591	9		Washer, Cup
6	0673-796	5		Strap, Latch
7	0624-053	5	/P	Screw, Cap
8	0673-389	3		Gasket
9	0670-444	1		Carburetor Assembly
10	0624-027	8		Washer, Lock
11	0624-028	8		Washer
12	0673-802	2		Bracket, Support
13	0624-022	16		Washer
14	0624-036	16		Washer, Lock
15	0624-314	4		Screw, Machine
16	0673-057	3		Gasket
17	0706-780	0		Seal, Cover
18	0624-061	6		Nut, Jam



1995 TIGERSHARK 900 (95TGA-1995)
MAGNETO

Page 38 of 60

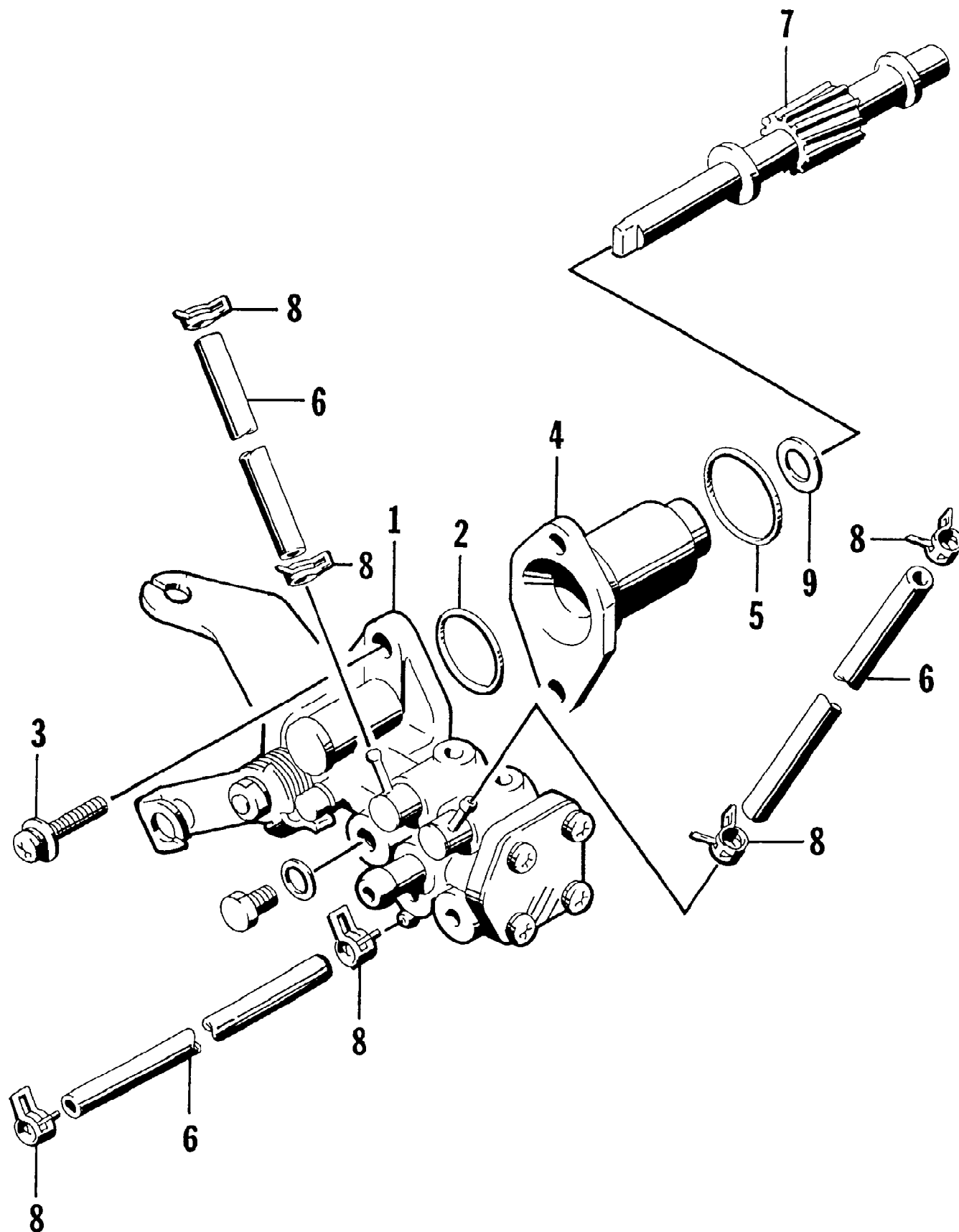
Ref #	Part Number	Qty	S/P/F	Description
1	3008-315	1		Stator
2	3008-278	1		Grommet
3	3004-706	5	S/P	Screw, Cap
4	3004-484	3	S	Screw, Cap
5	3008-109	1		Holder
6	3008-331	1	/P	Clamp
7	3003-787	1		Clamp
8	3004-540	1	/P	Key
9	3008-316	1	S	Flywheel
10	3008-119	1	S	Screw, Cap
11	3008-017	1		Washer
12	3004-362	1	S/P	Washer, Lock
13	3008-110	1		Holder, Grommet



1995 TIGERSHARK 900 (95TGA-1995)
MUFFLER ASSEMBLY

Page 40 of 60

Ref #	Part Number	Qty	S/P/F	Description
1	0712-148	1		Muffler
2	0773-382	2	/P	Tiedown, Muffler
3	0624-169	3		Clamp, Hose
4	0610-226	1		Hose, Exhaust - In
5	0610-225	1		Hose, Exhaust - Out
6	0624-005	5	/P	Nut, Lock
7	0624-182	5		Washer
8	0624-102	5		Screw, Cap
9	0673-830	1		Fitting, Outlet - Exhaust
10	0612-391	1		Seal, Outlet - Exhaust
11	0673-451	1		Ring, Stud



1995 TIGERSHARK 900 (95TGA-1995)
OIL PUMP

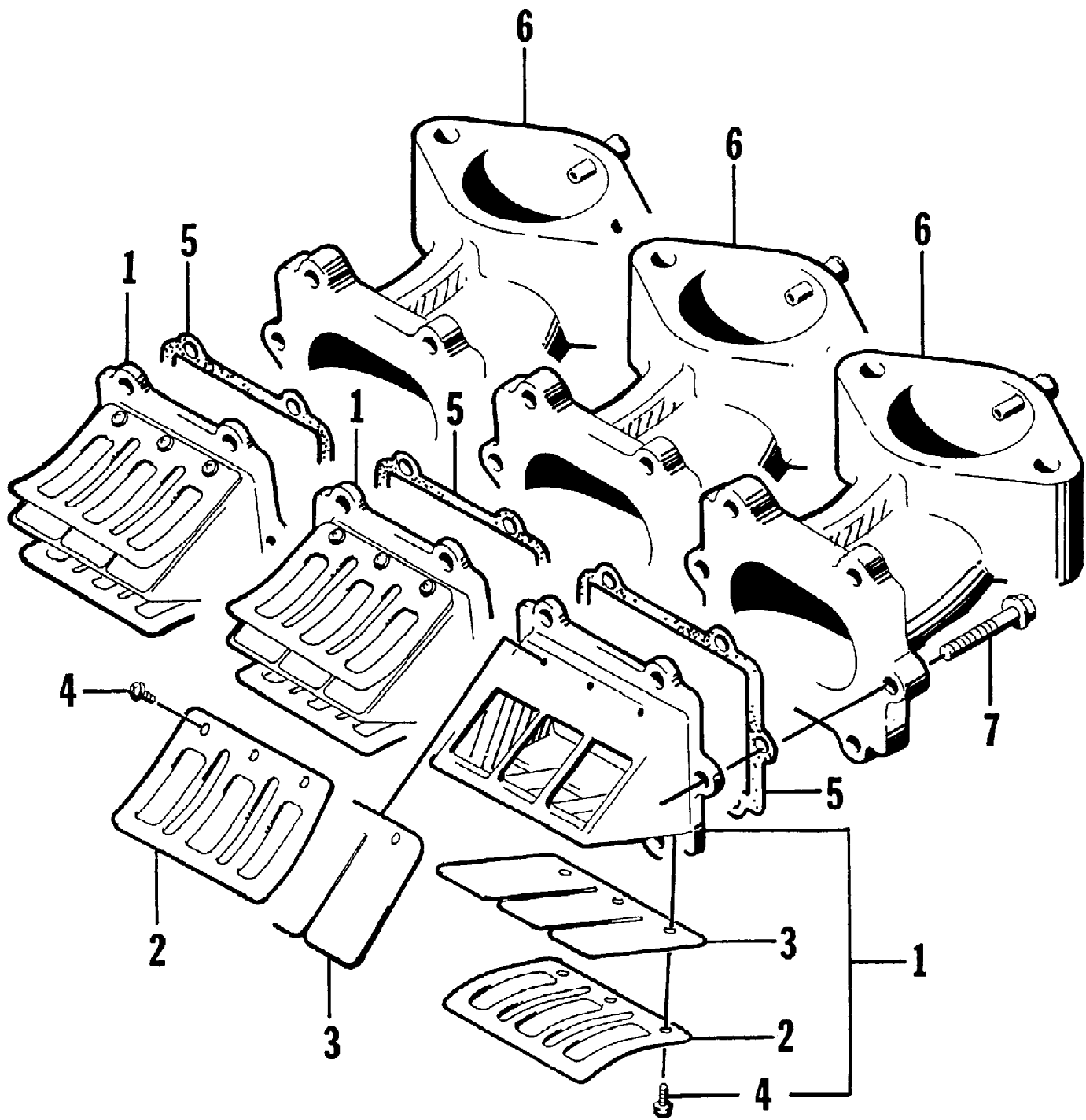
Page 42 of 60

Ref #	Part Number	Qty	S/P/F	Description
1	3008-275	1	S	Oil Pump Assembly
2	3008-030	1		O-Ring
3	3008-393	2		Screw, Oil Pump
4	3004-763	1	/P	Retainer, Oil Pump Shaft
5	3004-153	1		O-Ring, Retainer
6	3003-689	3	S	Hose, Oil Pump
7	3004-179	1		Gear, Oil Pump Driven
8	3008-037	6	/P	Clip
9	3003-753	1	S	Shim, Oil Pump Input Shaft

1995 TIGERSHARK 900 (95TGA-1995)
OIL TANK ASSEMBLY

Page 44 of 60

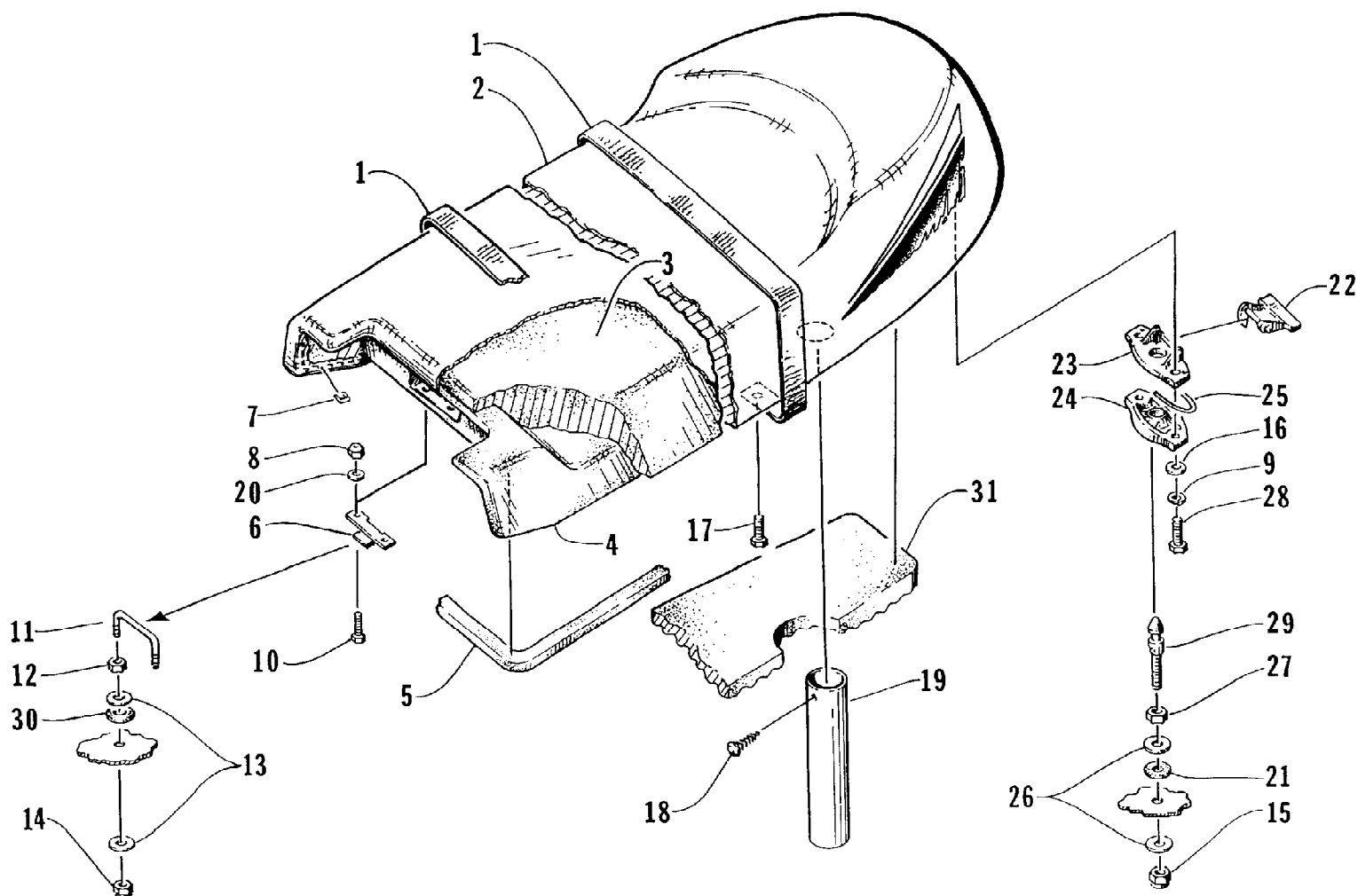
Ref #	Part Number	Qty	S/P/F	Description
1	0670-449	1		Cap, Oil Gauge
2	0670-304	1		Ring, Mounting Filler Neck
3	0670-270	1		Neck, Filler
4	0670-271	1		Seal, Filler Neck
5	0624-037	3		Clamp, Hose
6	0610-196	1		Hose, Filler
7	0624-220	6		Screw, Machine
8	0624-004	6		Washer
9	0624-005	6	/P	Nut, Lock
10	0624-120	5		Clamp, Hose
11	0610-107	0		Hose
12	0510-335	2	/P	Filter, Fuel
13	0623-063	1		Clamp, Hose
14	0670-042	2	/P	Outlet, Tank
15	0670-443	1	S	Tank, Oil
16	0623-502	3		Clamp
17	0773-383	2		Strap - Assembly
18	0610-059	1		Valve, Check
19	0710-022	0	S	Hose, Oil Line
20	0620-162	1	S	Sensor, Oil Level
21	0609-237	1		Seal, Grommet



1995 TIGERSHARK 900 (95TGA-1995)
REED VALVE ASSEMBLY

Page 46 of 60

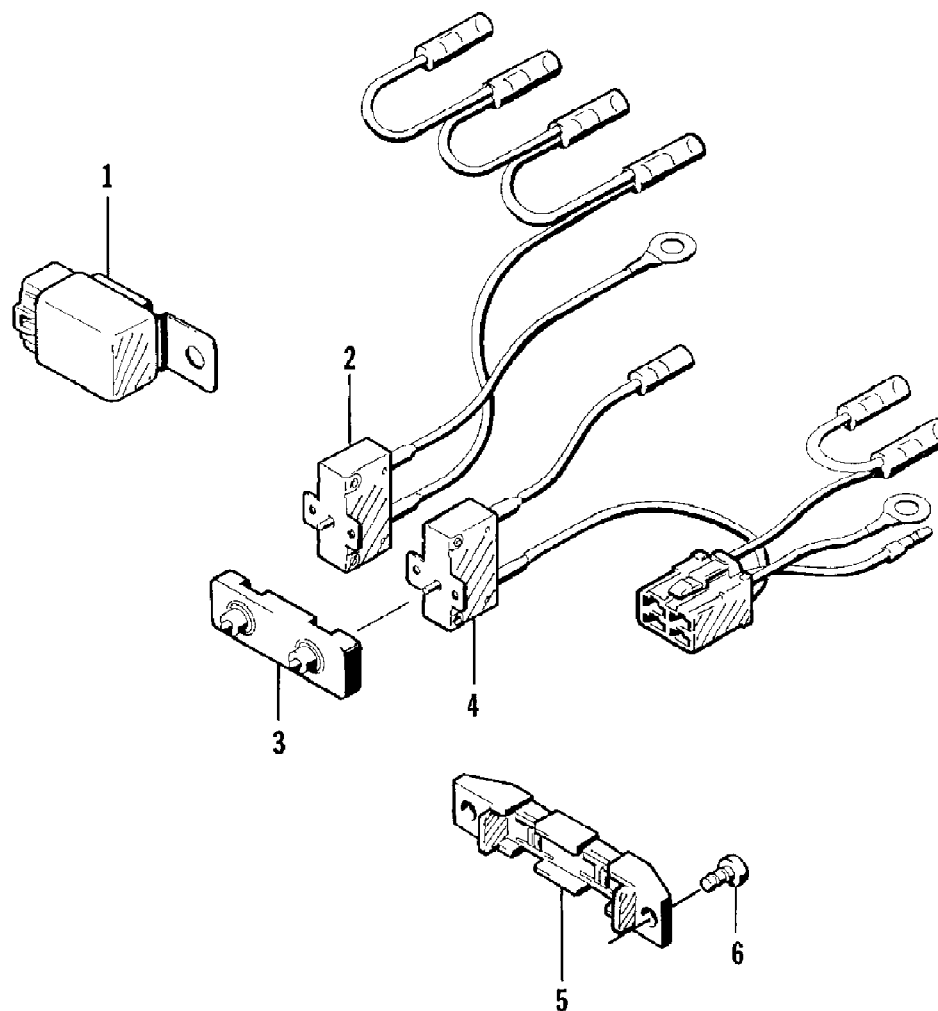
Ref #	Part Number	Qty	S/P/F	Description
1	3008-073	3	S	Valve, Reed - Assembly (inc. 2-4)
2	3008-074	6		. Stopper, Reed Valve
3	3008-075	6		. Valve, Reed
4	3004-506	18	/P	. Screw, Reed Valve
5	3008-076	3	S	Gasket, Reed Valve
6	3008-266	3		Pipe, Intake - Assembly
7	0691-788	18		Bolt, Intake Pipe



1995 TIGERSHARK 900 (95TGA-1995)
SEAT ASSEMBLY

Page 48 of 60

Ref #	Part Number	Qty	S/P/F	Description
	0773-477	1		Complete Seat Assembly
1	0773-354	2		Strap, Seat - 34 in.
2	0773-374	1		Cover, Seat w/Silkscreen
3	0773-413	1		Foam, Seat
4	0773-390	1	/P	Base, Seat
5	0773-440	0	S	Seal, Seat Base
6	0673-668	1		Catch, Seat
7	0624-263	0		Staple
8	0624-021	2		Nut, Lock
9	0624-036	2		Washer, Lock
10	0624-112	2	/P	Screw, Cap
11	0624-262	1		U-Bolt, Seat
12	0624-061	2		Nut, Jam
13	0624-125	4	/P	Washer
14	0624-090	2		Nut, Lock
15	0624-009	1		Nut, Lock
16	0624-022	2		Washer
17	0624-226	4		Screw, Cap
18	0623-585	3		Clip, Retaining
19	0610-171	1	/P	Air Tube, Exhaust
20	0624-182	2		Washer
21	0623-391	1		Washer, Rubber
22	0673-026	1		Lever, Release - Seat Latch
23	0673-024	1	S	Cover, Latch - Seat
24	0673-025	1		Back, Latch - Seat
25	0673-023	1		Clip, Retaining
26	0624-159	2		Washer
27	0624-047	1		Nut, Jam
28	0624-289	2		Screw, Cap
29	0673-788	1	S	Stud, Latch - Seat
30	0624-126	1		Washer, Rubber
31	0617-232	1		Foam, Seat - Bottom

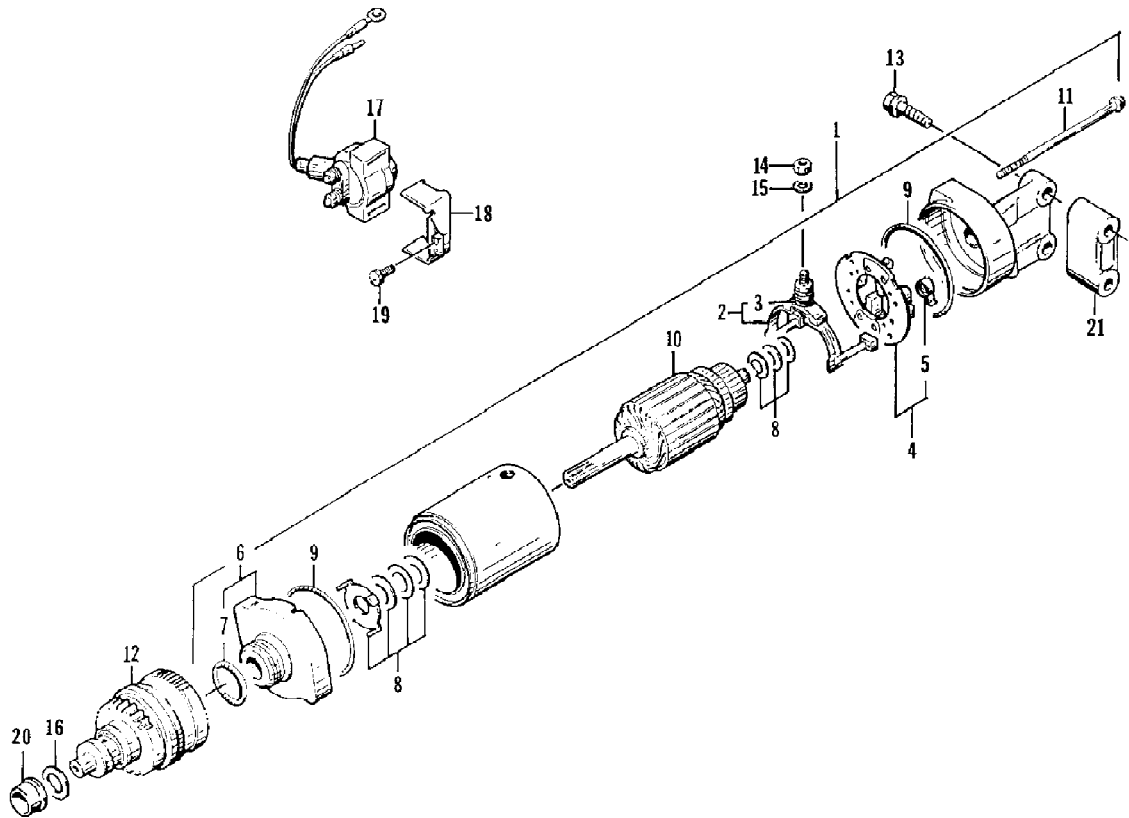


1995 TIGERSHARK 900 (95TGA-1995)
SENSOR ASSEMBLY

Page 50 of 60

Ref #	Part Number	Qty	S/P/F	Description
1	3008-297	1	/P	Relay - Assembly
2	3008-293	1	S	Protector, Circuit Charge
3	3008-296	1		Cap, Circuit Protector
4	3008-295	1	S	Protector, Circuit Load
5	3008-294	1	/P	Holder, Circuit Protector
6	3008-325	2		Screw, Cap

1995 TIGERSHARK 900 (95TGA-1995)
STARTER MOTOR ASSEMBLY

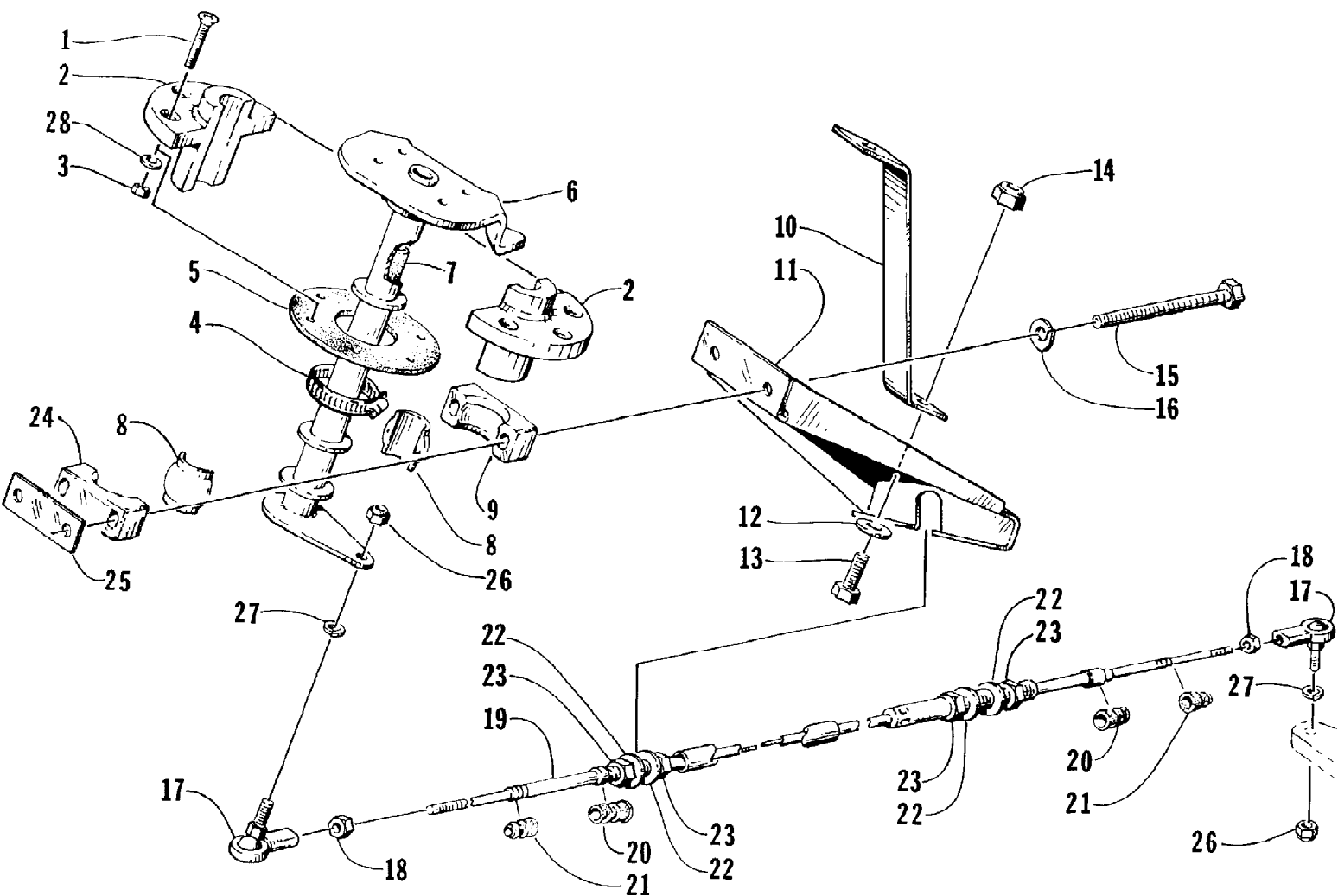


1995 TIGERSHARK 900 (95TGA-1995)
STARTER MOTOR ASSEMBLY

Page 52 of 60

Ref #	Part Number	Qty	S/P/F	Description
1	3008-093	1	S	Starter Motor Assembly (inc. 2-11)
2	3008-094	1	/P	. Terminal Set, Brush (inc. 3)
3	3008-164	1		.. O-Ring
4	3008-095	1	/P	. Holder Set, Brush (inc. 5)
5	3008-096	4		.. Spring, Brush
6	3008-097	1	S	. Front Bracket Assembly (inc. 7)
7	3008-098	1	S	.. O-Ring
8	3008-099	2		. Washer Set
9	3008-101	2	S	. O-Ring
10	3008-103	1		. Armature
11	3008-102	2		. Screw, Cap
12	3008-276	1	S	Pinion Assembly
13	3008-314	2		Bolt, Starter Motor
14	3008-014	1		Nut
15	3008-020	1		Washer
16	3008-193	2	S	Washer
17	3008-165	1	/P	Relay
18	3008-140	1		Bracket
19	3008-313	1		Screw, Bracket
20	3008-105	2		Bushing, Pinion Shaft
21	3008-277	1		Spacer, Starter Motor

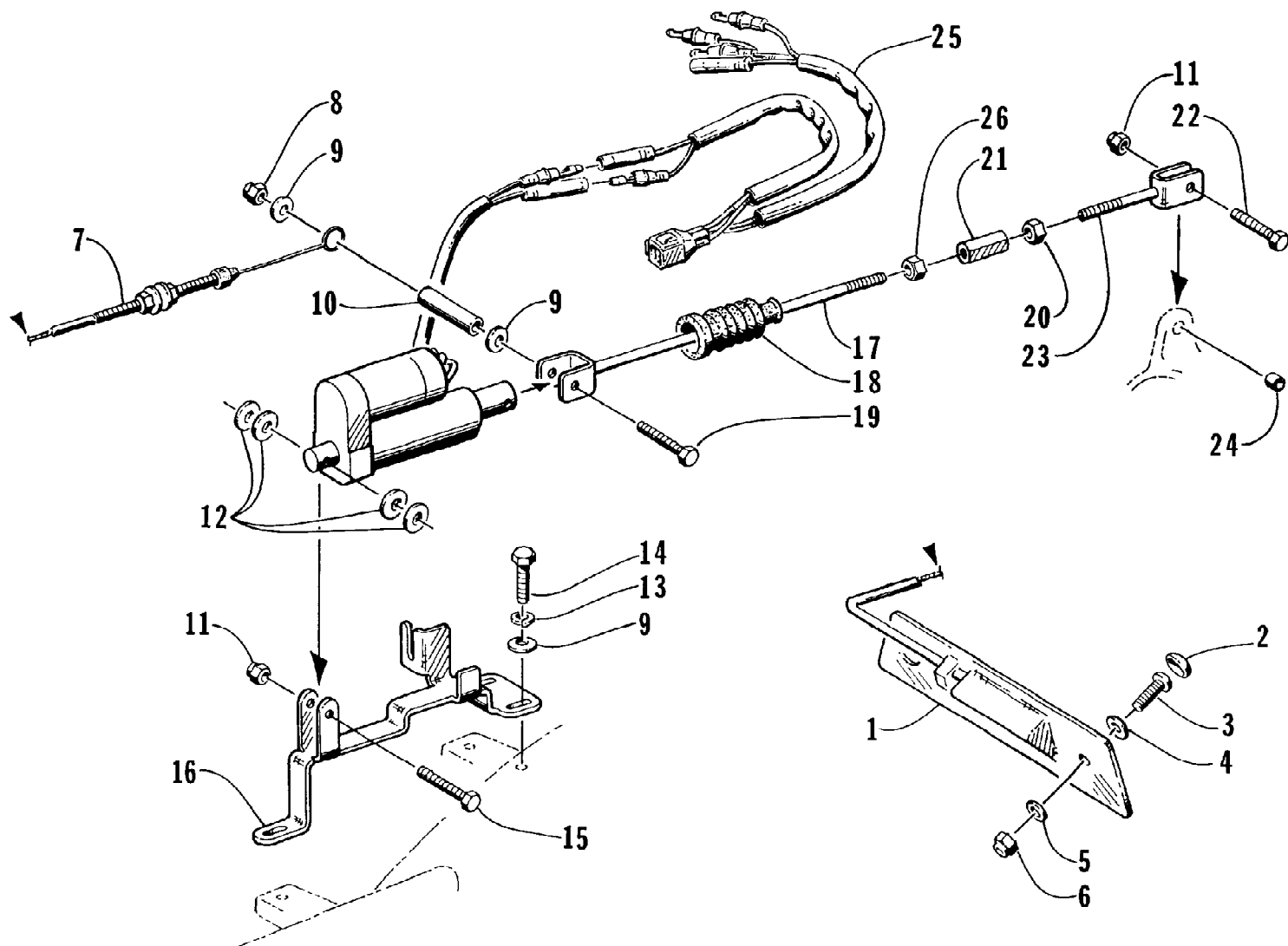
1995 TIGERSHARK 900 (95TGA-1995)
STEERING POST ASSEMBLY



1995 TIGERSHARK 900 (95TGA-1995)
STEERING POST ASSEMBLY

Page 54 of 60

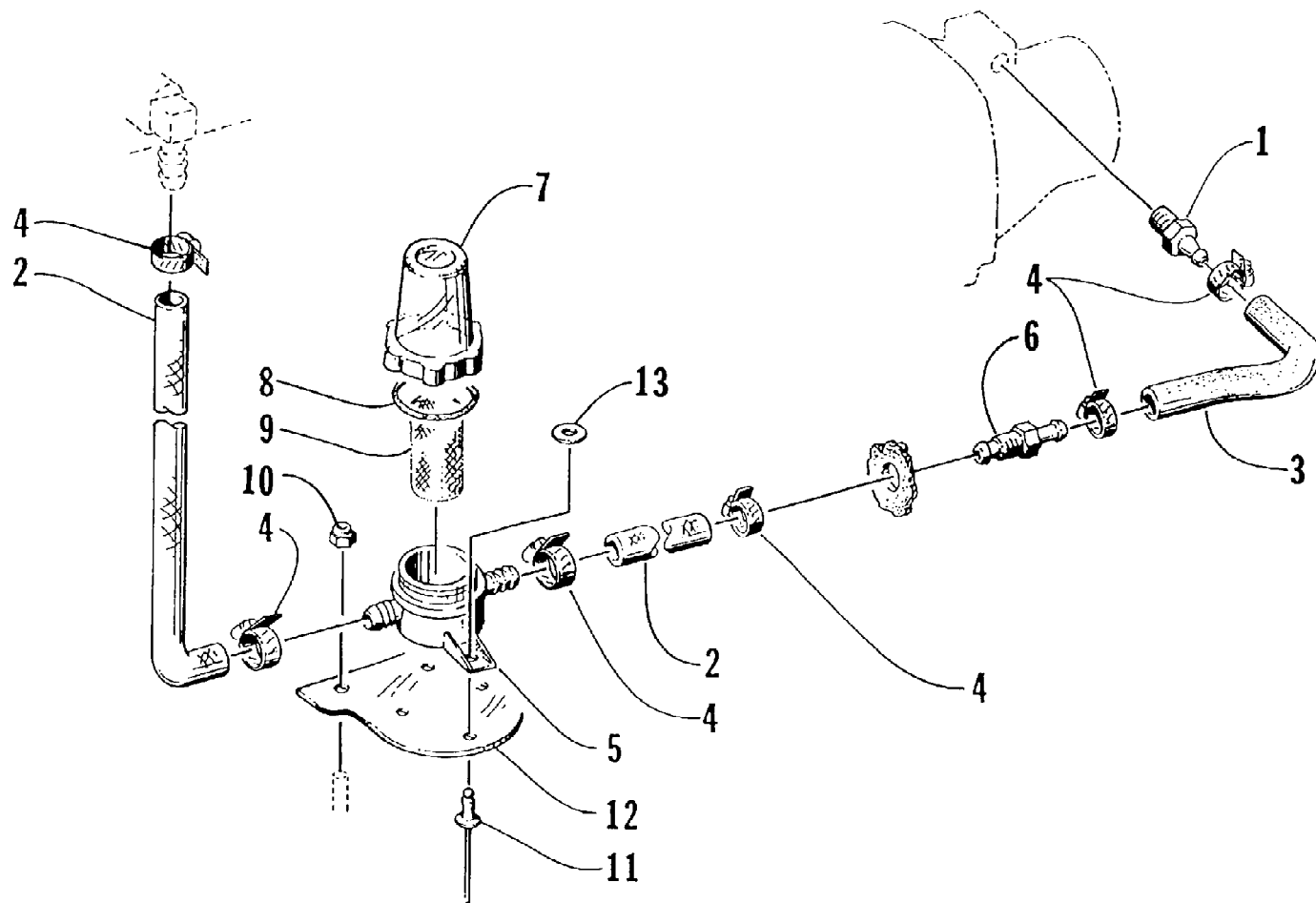
Ref #	Part Number	Qty	S/P/F	Description
1	0624-186	6		Screw, Machine
2	0673-122	2		Bearing, Half-Steering Post
3	0624-021	6		Nut, Lock
4	0624-038	2		Clamp
5	0673-056	1		Seal, Bearing
6	0773-096	1	/P	Post, Steering
7	0619-183	0		Foam, Neoprene Tape
8	0605-149	2		Bearing, Steering Post
9	0605-171	2		Housing, Bearing
10	0673-457	1		Bracket, Support
11	0773-095	1	/P	Bracket, Steering Cable
12	0624-125	1	/P	Washer
13	0624-229	1		Screw, Cap
14	0624-090	1		Nut, Lock
15	0624-192	2		Screw, Cap
16	0624-028	2		Washer
17	0673-028	2		End, Steering Cable
18	0624-107	2		Nut, Jam
19	0673-600	1		Cable, Steering
20	0612-363	2		Seal, Rod
21	0612-364	2		Seal, Steering Cable
22	0624-106	4		Washer
23	0624-105	4		Nut, Jam
24	0705-064	1	/P	Housing, Bearing
25	0673-366	1		Spacer, Bearing Housing
26	0624-114	2		Nut, Lock
27	0624-115	2		Washer, Lock
28	0624-022	6		Washer



1995 TIGERSHARK 900 (95TGA-1995)
TRIM ASSEMBLY

Page 56 of 60

Ref #	Part Number	Qty	S/P/F	Description
1	0673-842	1		Plate, Console - Trim
2	0124-066	1	S	Cover, Snap Cap
3	0624-095	1		Screw, Machine
4	0124-065	1		Washer, Snap Cap
5	0624-004	1		Washer
6	0624-005	1	/P	Nut, Lock
7	0673-841	1		Cable, Trim Indicator
8	0624-250	1		Nut, Lock
9	0624-022	5		Washer
10	0673-487	1		Spacer
11	0624-089	2		Nut, Lock
12	0624-247	4		Washer
13	0624-036	3		Washer, Lock
14	0624-046	3		Screw, Cap
15	0624-231	1		Screw, Cap
16	0673-810	1		Bracket, Trim Motor
17	0773-364	1		Rod, Trim - Long
18	0673-632	1		Boot, Trim Rod
19	0624-213	1		Screw, Cap
20	0624-297	1		Nut, Jam - Left
21	0673-715	1		Adjuster, Trim Rod
22	0624-289	1		Screw, Cap
23	0773-363	1		Rod, Trim - Short
24	0673-733	1		Bushing, Trim Ring
25	0686-312	1		Harness, Trim
26	0624-279	1		Nut, Jam

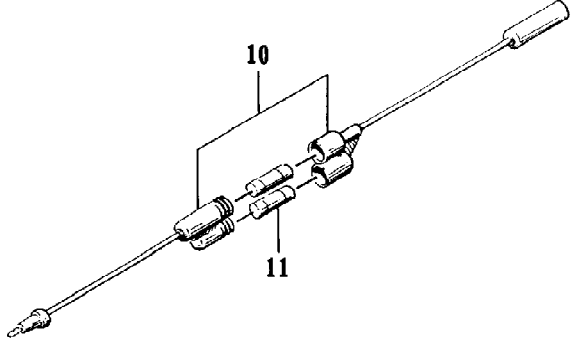
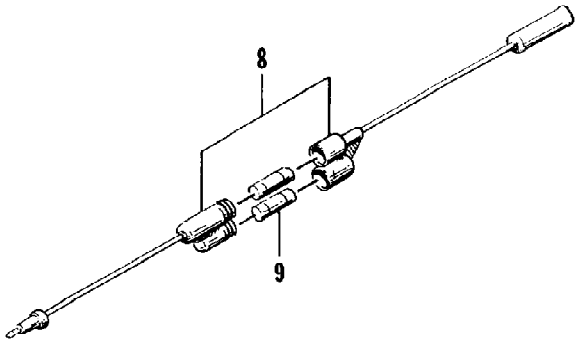
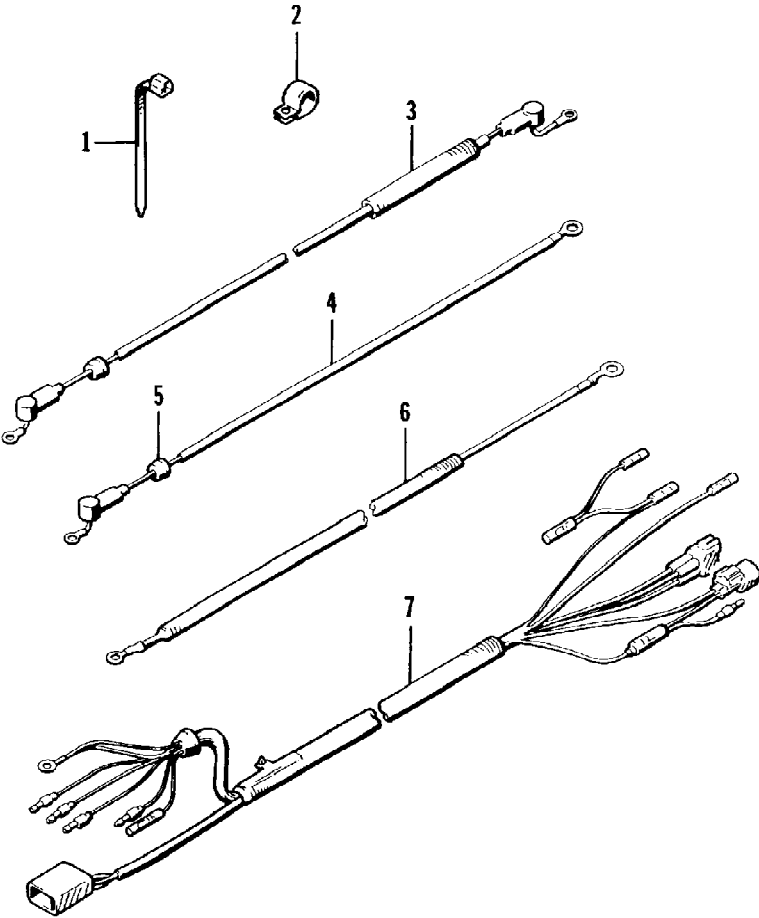


1995 TIGERSHARK 900 (95TGA-1995)
WATER FILTER ASSEMBLY

Page 58 of 60

Ref #	Part Number	Qty	S/P/F	Description
1	0670-118	1		Outlet, Oil Tank
2	0610-083	0	S	Hose
3	0610-210	1		Hose, Formed
4	0624-016	6		Clamp
5	0673-653	1		Filter, Water Assembly (inc. 7-9)
6	0673-700	1		Fitting, Thru Pump
7	0673-669	1		Cover
8	0673-670	1		O-Ring
9	0673-671	1		Screen
10	0624-021	2		Nut, Lock
11	8060-428	2		Rivet
12	0673-808	1	/P	Bracket, Mounting
13	0624-025	2		Washer

1995 TIGERSHARK 900 (95TGA-1995)
WIRING HARNESS



1995 TIGERSHARK 900 (95TGA-1995)
WIRING HARNESS

Page 60 of 60

Ref #	Part Number	Qty	S/P/F	Description
1	3008-044	1		Clamp
2	3008-157	2		Clamp
3	3008-346	1		Cable
4	3008-290	1	S	Cable
5	3008-334	1	/P	Grommet
6	3008-154	1		Cable, Ground
7	3008-292	1		Harness, Wiring
8	0630-080	1		Fuse Holder, Waterproof
9	0630-081	1		Fuse, 1 AMP
10	0630-082	1		Fuse Holder, Waterproof
11	0630-084	1		Fuse, 3 AMP