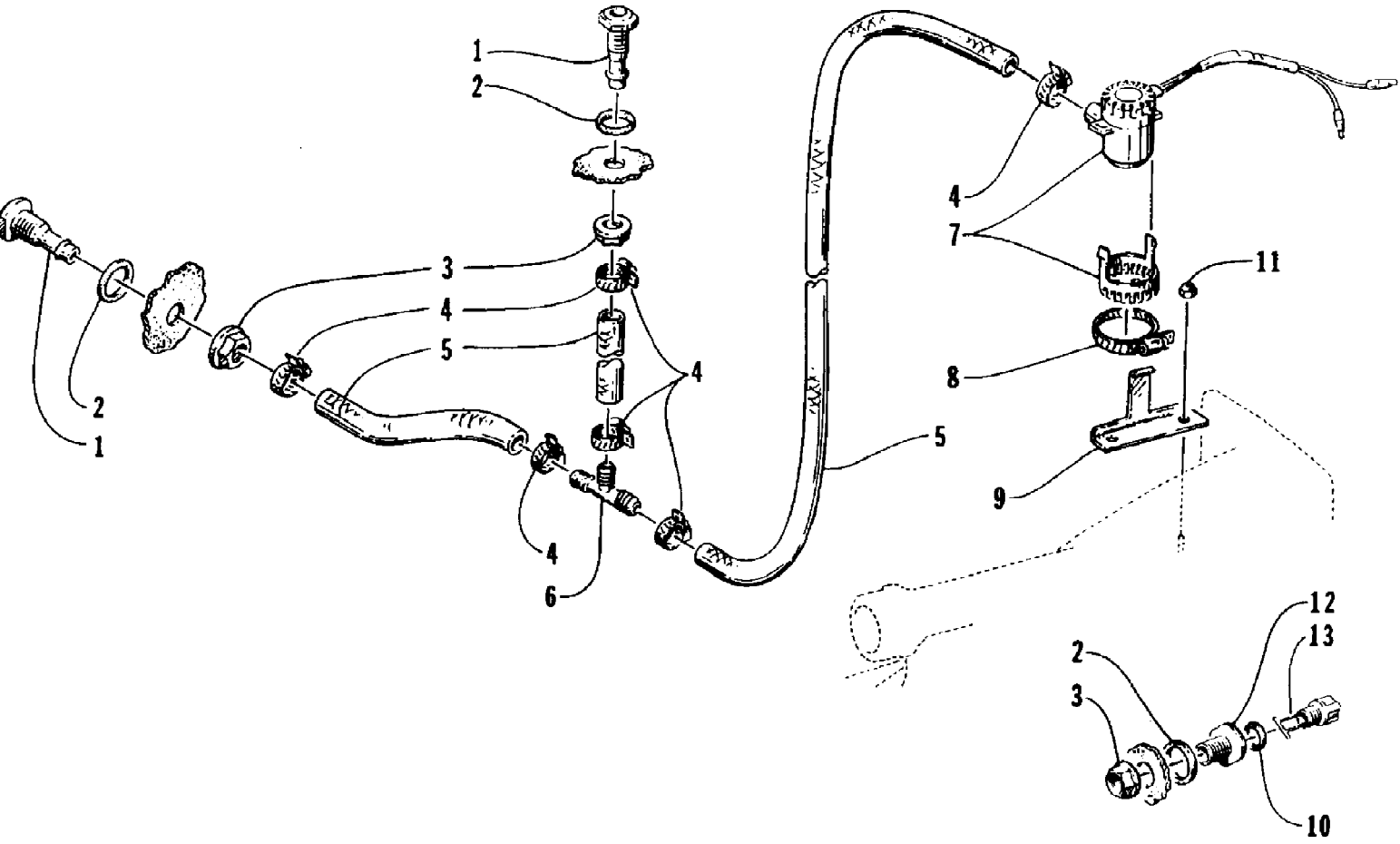


1994 MONTEGO DELUXE (0672-004-1994)
BILGE PUMP ASSEMBLY

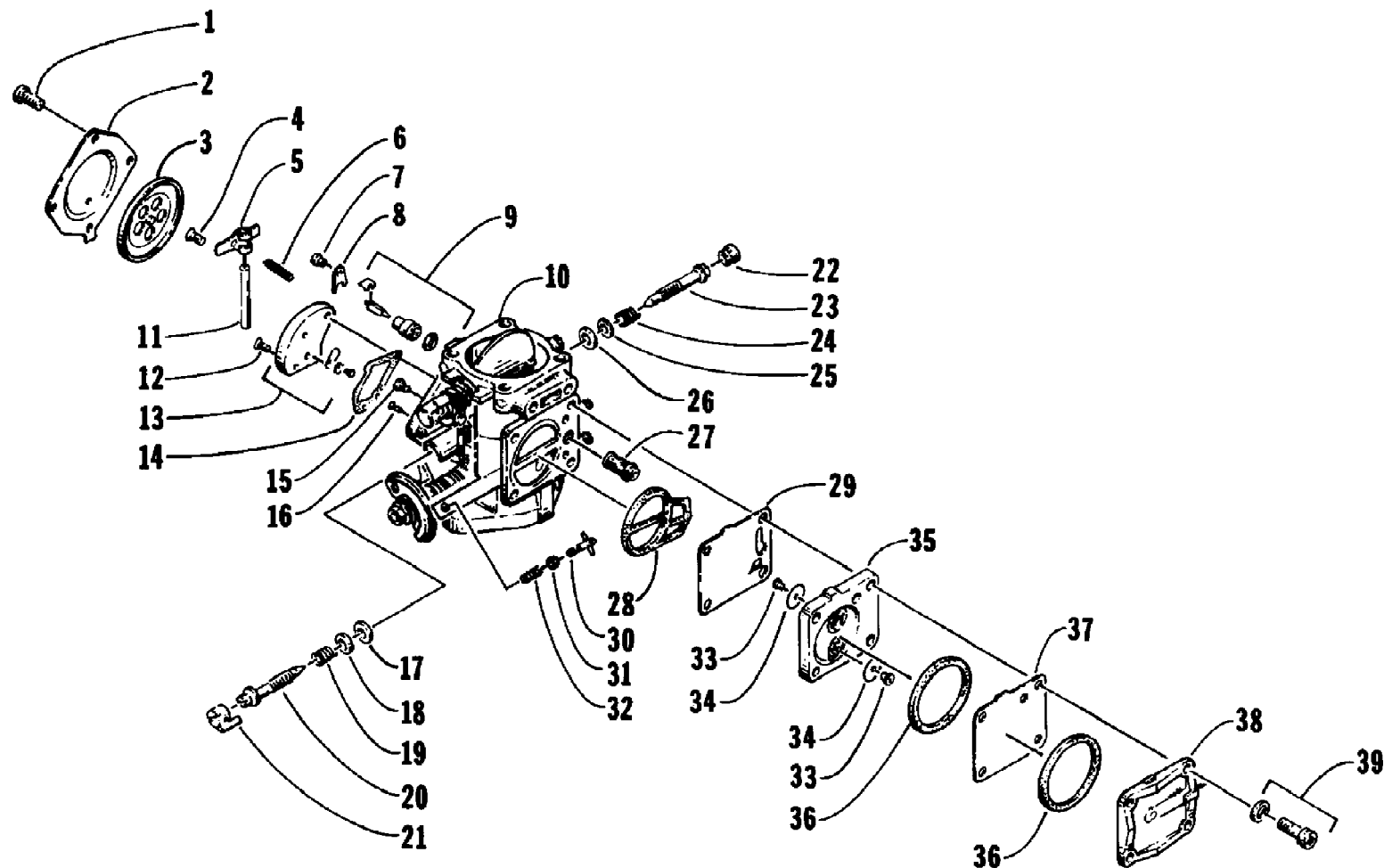


1994 MONTEGO DELUXE (0672-004-1994)
BILGE PUMP ASSEMBLY

Page 2 of 46

Ref #	Part Number	Qty	S/P/F	Description
1	0673-377	2		Fitting, Outlet - Bilge
2	0612-361	2		Seal, Fitting
3	0673-378	3	S	Nut, Fitting
4	0624-016	6		Clamp, Hose
5	0610-090	0	S	Hose, Bilge
6	0673-483	1		T-Connection
7	0673-012	1		Pump, Bilge
8	0624-037	1		Clamp
9	0673-435	1		Plate, Mounting - Bilge Pump
10	0673-405	1		Seal, Drain Plug
11	0624-021	2		Nut, Lock
12	0673-278	1		Retainer, Drain Plug
13	0673-404	1		Plug, Drain

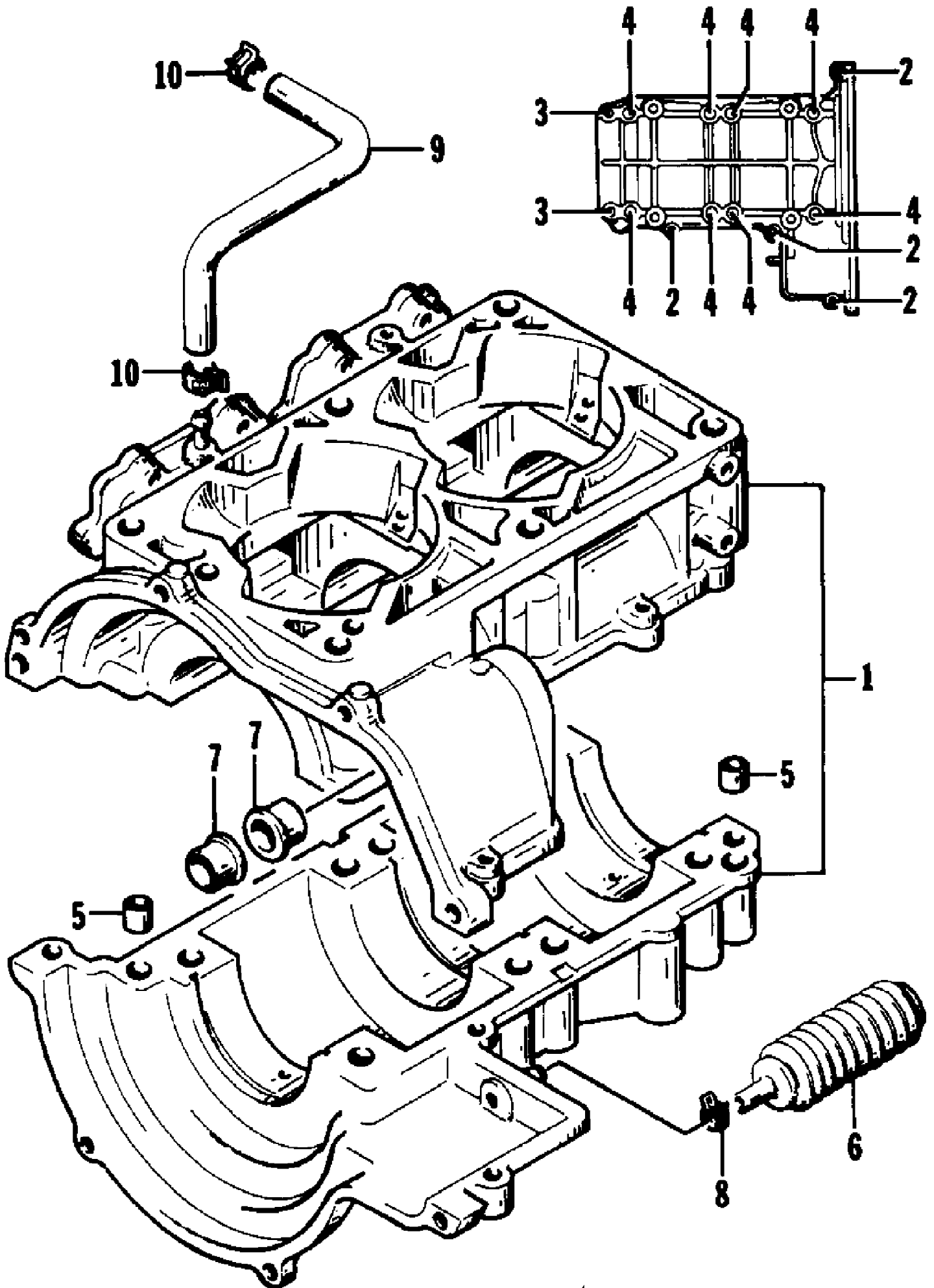
1994 MONTEGO DELUXE (0672-004-1994)
CARBURETOR



1994 MONTEGO DELUXE (0672-004-1994)
CARBURETOR

Page 4 of 46

Ref #	Part Number	Qty	S/P/F	Description
	0670-325	1		Carburetor Ass'y
1	6505-689	4		Screw
2	6505-662	1		Cover
3	6505-663	1		Diaphragm Ass'y
4	6505-692	1		Screw, Machine
5	6505-664	1		Arm
6	6505-669	1		Spring
7	6505-695	1		Screw, Machine
8	6505-682	1		Plate
9	6505-671	1		Needle Valve Ass'y
10	0	1	F	Mixing Body
11	6505-681	1		Pin
12	6505-679	2		Screw, Machine
13	6505-680	1		Block, Metering
14	6505-677	1		Gasket
15	6505-694	1		Main Jet - 107.5
16	6505-690	1	S	Pilot Jet - 125
17	6505-701	1		Seal
18	6505-661	1		Washer
19	6505-660	1		Spring
20	6505-667	1		Adjuster
21	6505-659	1		Cap
22	6505-698	1		Cap
23	6505-699	1		Adjuster
24	6505-678	1		Spring
25	6505-703	2		Washer
26	6505-700	1	S	O-Ring
27	6505-676	1		Filter
28	6505-665	1		S-Gasket
29	6505-656	1	/P	Diaphragm, Damper
30	6505-702	1		Screw Ass'y
31	6505-697	1		Retainer
32	6505-651	1		Spring
33	0	2	F	Grommet
34	0	2	F	Valve
35	6505-655	1		Body Ass'y, Diaphragm
36	6505-683	1		O-Ring
37	6505-654	1		Diaphragm, Pump
38	6505-652	1		Cover, Pump
39	6505-704	4		Screw w/Washer
40	6505-653	1		Gasket
41	6505-817	1		Bushing, Choke Shaft
42	6505-701	1		Seal, Choke Shaft

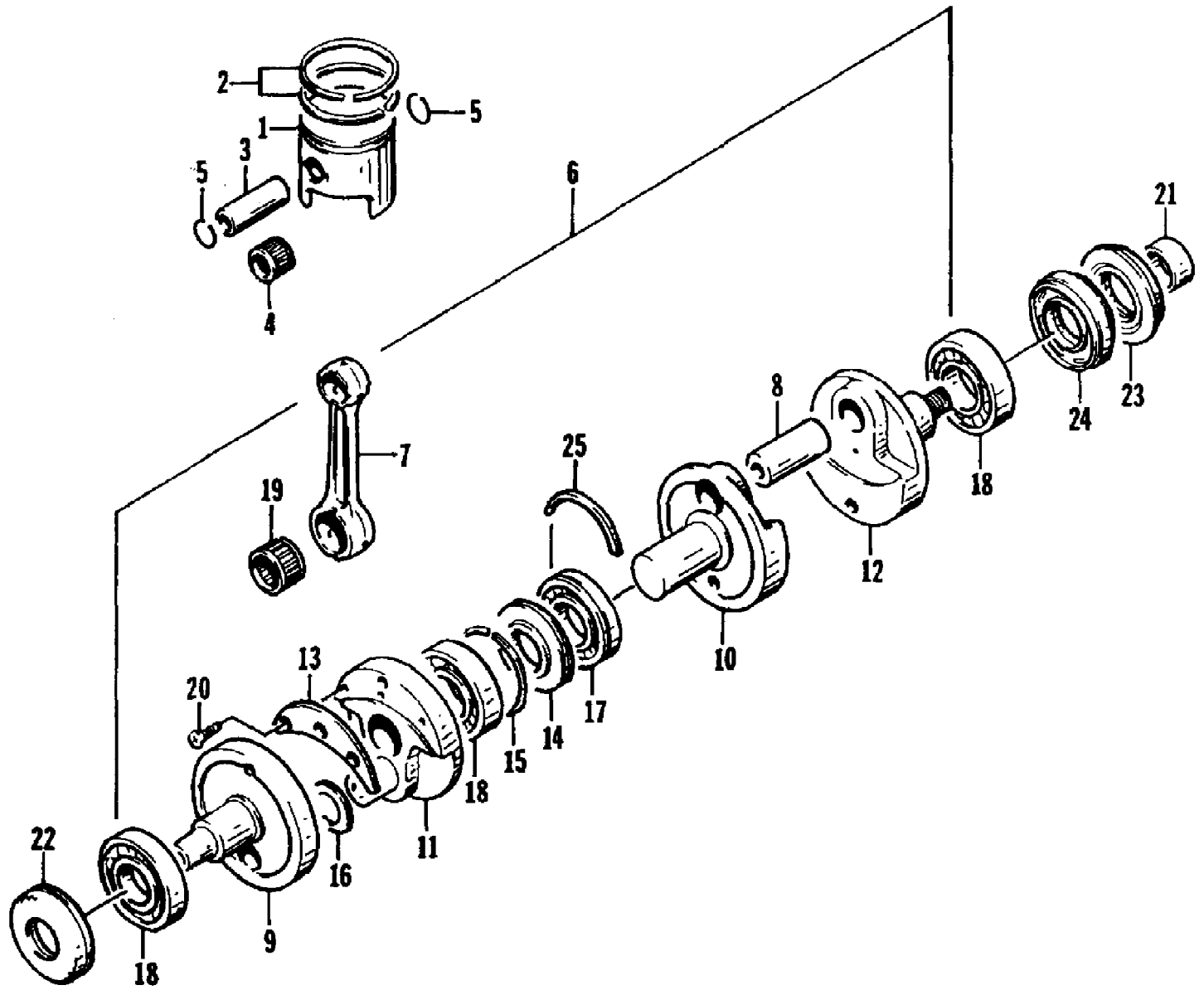


1994 MONTEGO DELUXE (0672-004-1994)
CRANKCASE

Page 6 of 46

Ref #	Part Number	Qty	S/P/F	Description
1	3008-176	1		Crankcase Ass'y (inc. 2-5)
2	3008-210	4	/P	. Cap, Screw
3	3008-211	2	S	. Cap, Screw
4	3008-212	8	/P	. Cap, Screw
5	3008-199	2	/P	. Pin
6	3008-100	1		Bladder, Magneto Case
7	3008-105	2		Bushing, Pinion Shaft
8	3008-038	1		Clamp
9	3008-200	1	/P	Hose, Vacuum
10	3008-039	1		Clamp, Hose

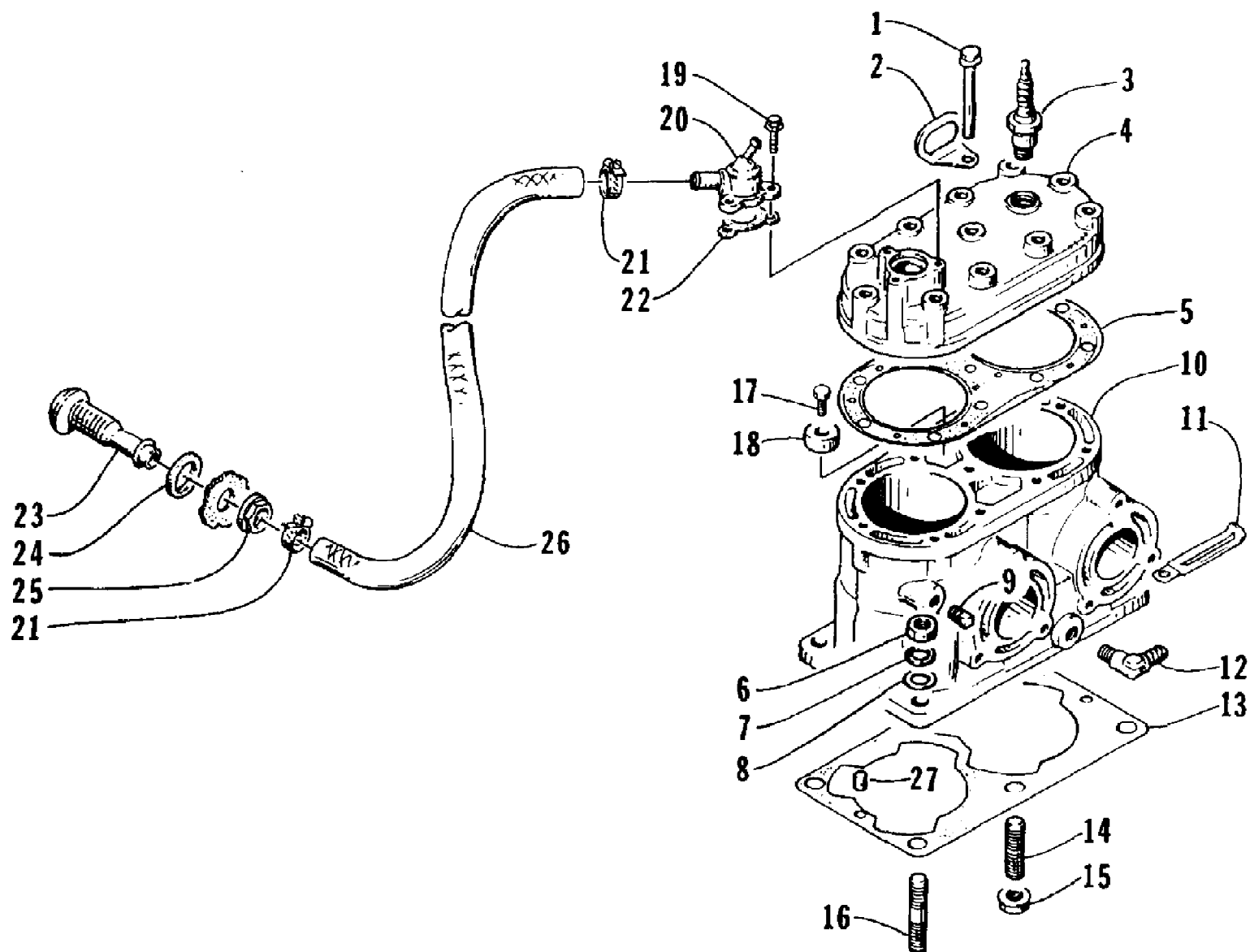
1994 MONTEGO DELUXE (0672-004-1994)
CRANKSHAFT



1994 MONTEGO DELUXE (0672-004-1994)
CRANKSHAFT

Page 8 of 46

Ref #	Part Number	Qty	S/P/F	Description
1	3008-060	2		Piston, Standard
1	3008-181	2		Piston, Optional (+ .010")
1	3008-182	2		Piston, Optional (+ .020")
2	3008-143	2	/P	Ring Set, Standard
2	3008-183	2		Ring Set, Optional (+ .010")
2	3008-184	2		Ring Set, Optional (+ .020")
3	3003-338	2	S	Pin
4	3003-433	2	/P	Bearing
5	3003-439	4	/P	Snap Ring
6	3008-063	1	S	Crankshaft Ass'y (inc. 7-20)
7	3008-062	2		. Connecting Rod
8	3008-064	1	S	. Crank Pin
9	3008-065	1		. Crankshaft, Right
10	3008-066	1		. Crankshaft, Center
11	3008-067	1		. Wheel
12	3008-068	1		. Crankshaft, Left
13	3008-069	1		. Balancer
14	3008-070	1		. Race, Center
15	3008-071	1	S	. Ring, Center
16	3008-019	1		. Washer
17	3008-027	1		. Bearing
18	3008-028	3	S	. Bearing
19	3008-029	2		. Bearing
20	3004-372	3	S	. Screw, Machine
21	3008-072	1		Spacer, Crankshaft
22	3008-031	1		Seal, Oil - Right
23	3008-032	1		Seal, Oil - Left
24	3008-033	1		Seal, Oil - Center
25	3003-216	1		C-Ring

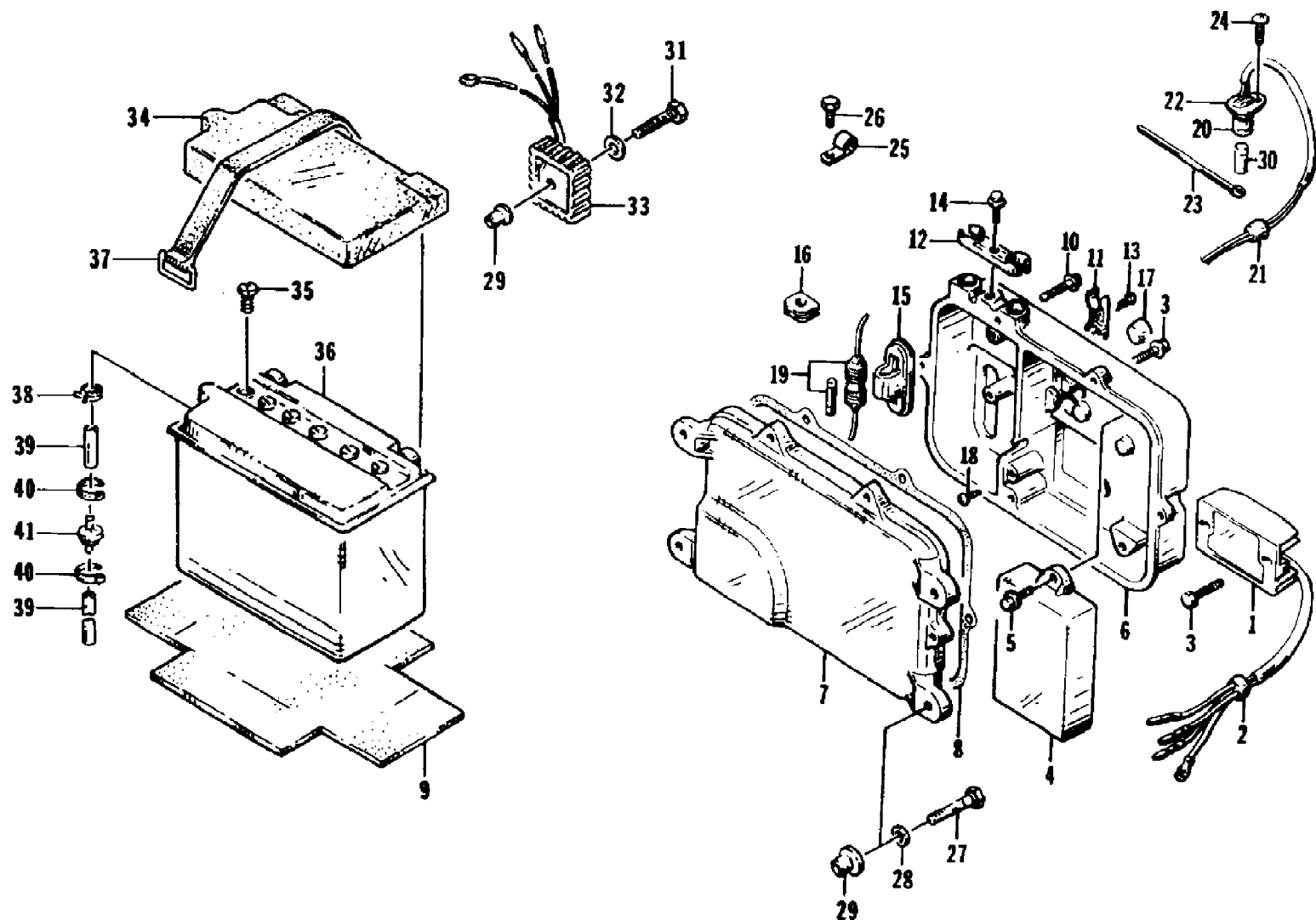


1994 MONTEGO DELUXE (0672-004-1994)
CYLINDER ASSEMBLY

Page 10 of 46

Ref #	Part Number	Qty	S/P/F	Description
1	3008-144	11	S	Screw, Cap
2	3008-059	1		Hook
3	0217-700	2		Spark Plug (BR9ES)
4	3008-046	1		Head, Cylinder
5	3008-174	1	S	Gasket, Cylinder Head
6	3008-209	5	/P	Nut
7	3008-207	5	/P	Washer, Lock
8	3004-363	5	S	Washer
9	3008-024	1	S	Plug
10	3008-175	1	S	Cylinder
11	3008-043	2	S	Clamp
12	3008-092	1		Union
13	3008-050	1		Gasket, Cylinder
14	3008-145	1	S	Stud
15	3008-208	1		Nut
16	3008-005	5		Stud
17	3008-013	1		Screw, Cap
18	3008-047	1		Zinc, Anode (inc. 17)
19	3008-216	3		Screw, Cap
20	3008-089	1		Cap, Thermostat
21	0624-016	2		Clamp, Hose
22	3008-230	1		Gasket, Thermostat
23	0673-374	1		Outlet, Water
24	0612-360	1		Seal, Outlet
25	0673-378	1	S	Nut, Outlet
26	0610-106	0	/P	Hose, Water
27	3008-146	2		Pin

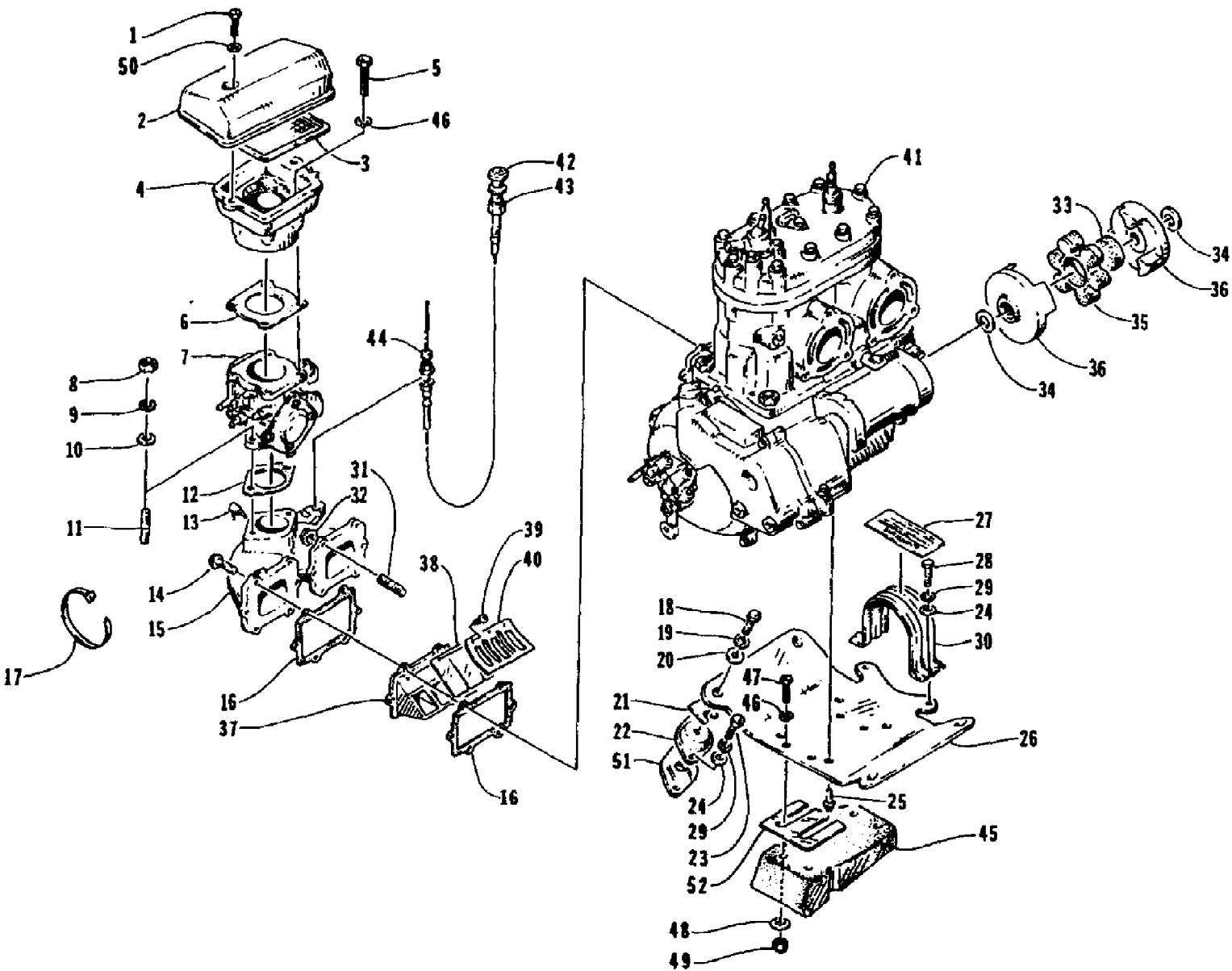
1994 MONTEGO DELUXE (0672-004-1994)
ELECTRICAL MODULE AND BATTERY



1994 MONTEGO DELUXE (0672-004-1994)
ELECTRICAL MODULE AND BATTERY

Page 12 of 46

Ref #	Part Number	Qty	S/P/F	Description
1	3008-120	1		Regulator Ass'y (inc. 2)
2	3008-112	1		. Grommet
3	3008-008	7		Screw, Cap
4	3008-178	1		Unit, CDI
5	3008-218	2		Screw, Cap
6	3008-122	1		Case
7	3008-123	1		Cover
8	3008-127	1		Gasket
9	0673-308	1		Pad, Battery
10	3008-007	1		Screw, Cap
11	3008-124	3		Holder
12	3008-125	1		Holder
13	3008-010	6	/P	Screw, Cap
14	3008-169	1		Screw, Cap
15	3008-139	1		Holder
16	3008-034	1		Grommet
17	3008-116	1	S	Grommet
18	3008-217	2		Screw, Machine
19	3008-180	1		Case, Fuse
19	0630-024	1		Fuse, 15 Amp.
20	3008-133	1	S	Heat Sensor Ass'y (inc. 21-22)
21	3008-113	1		. Grommet
22	3008-134	1		. Retainer, Sensor - Heat
23	3003-787	2		Tie, Cable
24	3008-219	2		Screw, Machine
25	3008-040	1		Clamp
26	3008-006	1		Screw, Cap
27	0624-052	4		Screw, Cap
28	0624-036	4		Washer
29	0624-083	4		Nut, Well
30	0630-023	1		Fuse, 3 Amp.
31	0624-056	1		Screw, Cap
32	0624-022	1		Washer
33	0630-059	1		Module, Bilge Pump (Montego Deluxe)
34	0624-082	1		Nut, Well
35	0645-045	4		Cap, Battery
36	0645-157	1		Battery
37	0673-393	2		Tiedown
38	0645-152	1		Clamp, Hose - Battery
39	0645-179	1	S	Hose, Battery Vent
40	3003-787	2		Tie, Cable
41	0670-295	1		Valve, Check
42	0673-454	1		Cover, Battery



1994 MONTEGO DELUXE (0672-004-1994)
ENGINE AND RELATED ASSEMBLY

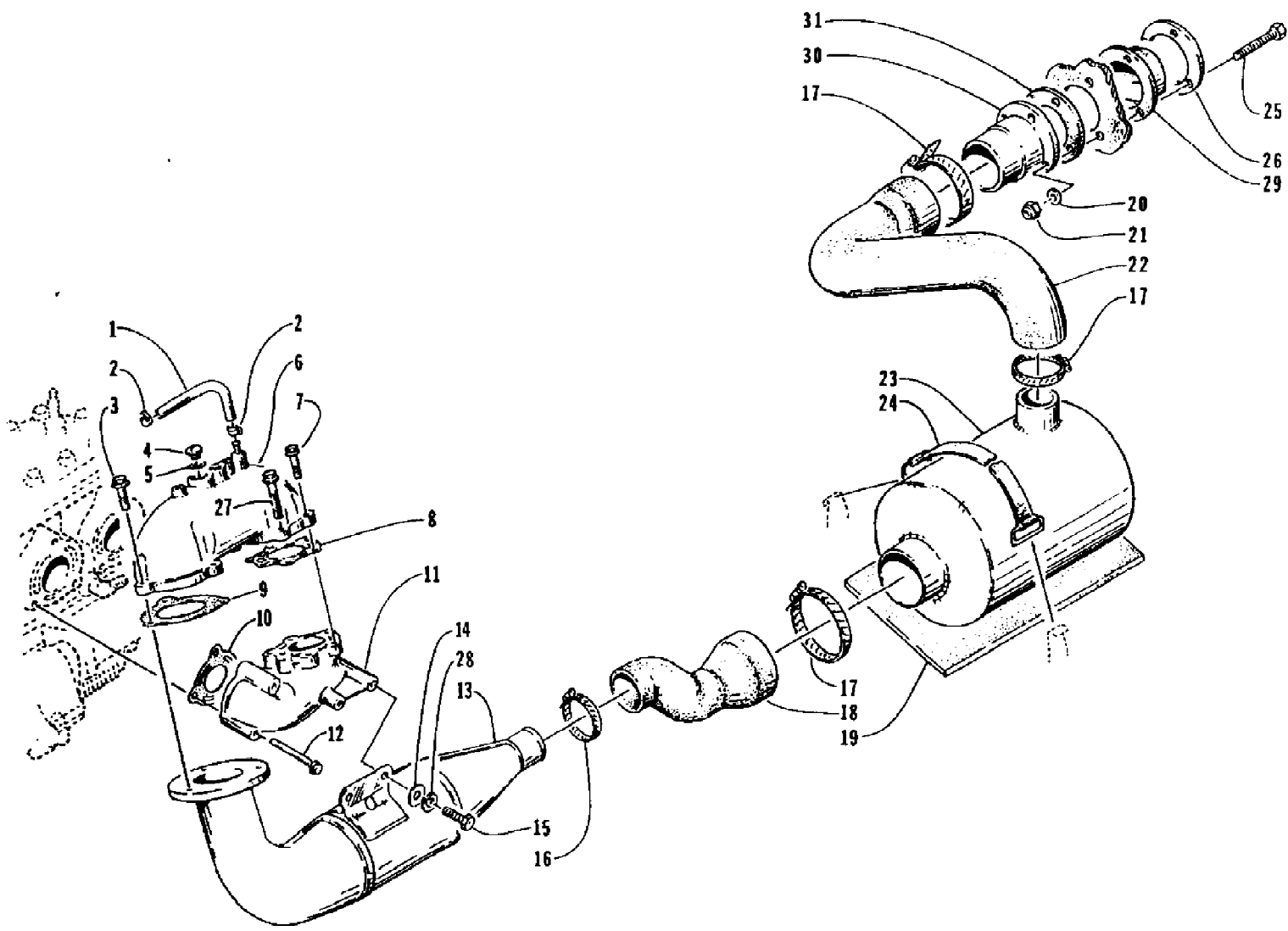
Page 14 of 46

Ref #	Part Number	Qty	S/P/F	Description
1	0624-046	2		Screw, Cap
2	0673-045	1		Cover, Spark Arrestor
3	0673-046	1	S	Screen, Spark Arrestor
4	0673-044	1		Spark Arrestor - Lower
5	0624-053	4	/P	Screw, Cap
6	0673-389	1		Gasket, Spark Arrestor
7	0670-325	1		Carburetor
8	0624-061	2		Nut, Jam
9	0624-027	2		Washer, Lock
10	0624-028	2		Washer
11	0624-051	2		Bolt, Stud
12	0673-057	1		Gasket, Intake
13	3004-054	1		Valve, Check
14	3008-153	8	S	Screw, Cap
15	0673-039	1		Manifold, Intake
16	3008-076	4	S	Gasket, Reed Valve
17	0123-811	0		Tie, Cable
18	3008-188	4		Screw, Cap
19	3008-021	4		Washer, Lock
20	3008-016	4		Washer
21	0624-015	0	/P	Shim - 1.5MM
21	0624-014	0	/P	Shim - 0.5MM
22	3008-054	4		Mount, Motor
23	0624-087	8		Screw, Cap
24	0624-028	10		Washer
25	3008-198	4	S	Screw, Cap
26	0608-078	1	S	Plate, Engine Mount
27	1611-608	1		Decal, Warning
28	3008-001	2		Screw, Cap
29	0624-027	10		Washer, Lock
30	0673-506	1	/P	Shield, Safety Coupler
31	3008-156	4	S	Bolt, Stud
32	3008-158	4	/P	Nut
33	0673-146	1		Puck, Coupler Rubber
34	0624-017	2		Washer
35	3008-091	1	S	Dampener, Coupler
36	3008-090	2	/P	Coupler, Engine
37	3008-073	2	S	Reed Valve Ass'y (inc. 38-40)
38	3008-075	4		. Valve, Reed
39	3004-210	12		. Screw, Cap
40	3008-074	4		. Stopper, Reed Valve
41	0662-141	1	S	Engine
42	0687-053	1	S	Cable, Choke
43	0687-051	1	/P	Nut
44	0687-052	2	/P	Cover, Boot
45	0673-434	1	/P	Mount, Snubber
46	0624-036	8		Washer, Lock
47	0624-052	4		Screw, Cap
48	0624-056	4		Washer
49	0624-021	1		Nut, Lock
50	0624-022	2		Washer
51	0673-508	0	/P	Shim, Engine Mount - .125
51	0673-509	0	/P	Shim, Engine Mount - .063

1994 MONTEGO DELUXE (0672-004-1994)
ENGINE AND RELATED ASSEMBLY

Ref #	Part Number	Qty	S/P/F	Description
52	0673-479	0		Shim, Engine Snubber - 18 Gallon
52	0673-482	0		Shim, Engine Snubber - 12 Gallon

1994 MONTEGO DELUXE (0672-004-1994)
EXHAUST ASSEMBLY



1994 MONTEGO DELUXE (0672-004-1994)
EXHAUST ASSEMBLY

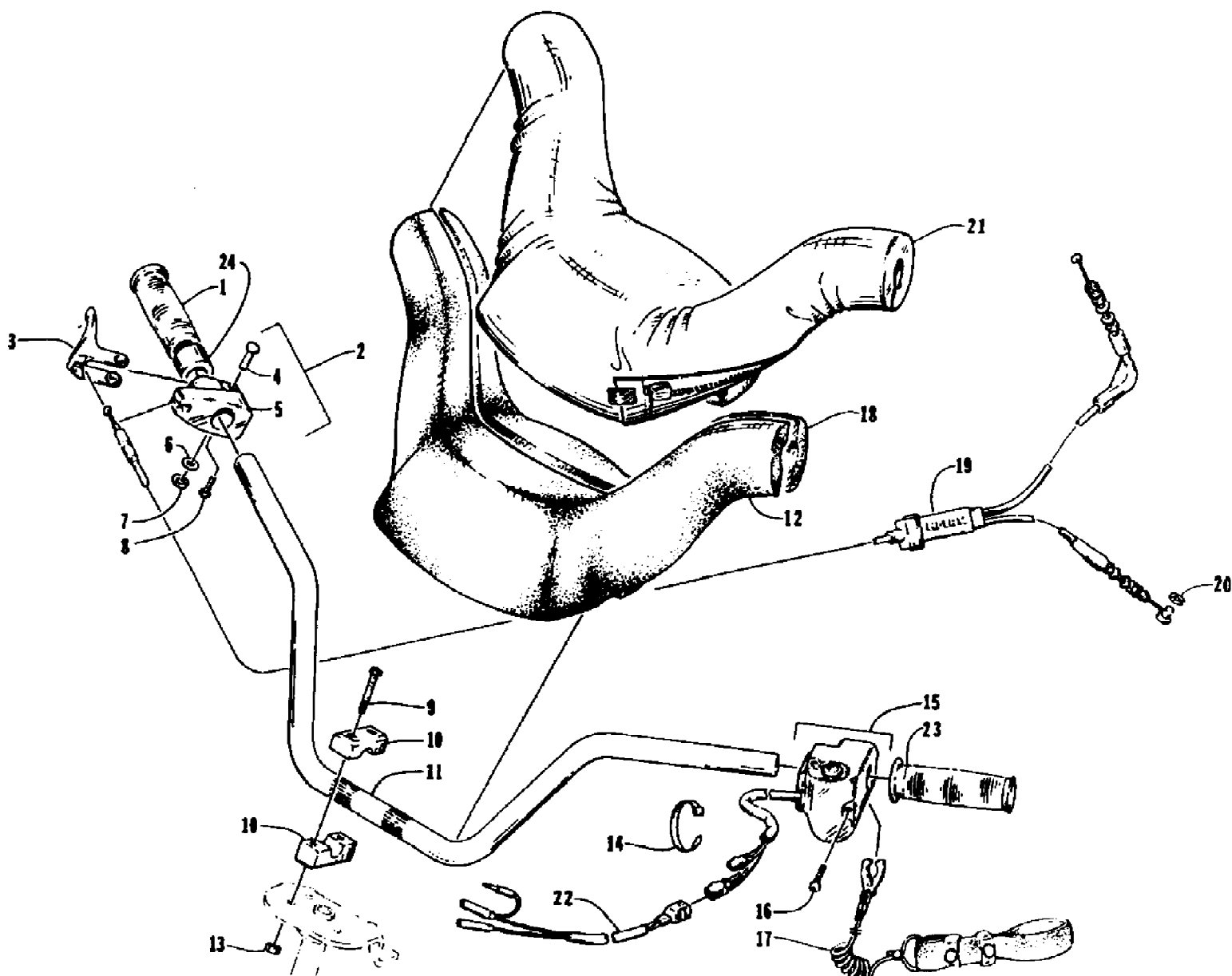
Page 17 of 46

Ref #	Part Number	Qty	S/P/F	Description
1	3008-036	1	S	Hose, By-Pass
2	3008-039	2		Clamp
3	3008-004	3	S	Screw, Cap
4	3008-025	1		Plug
5	3008-022	1		Gasket
6	3008-171	1		Pipe, Exhaust
7	3008-159	3	S	Screw, Cap
8	3008-081	1	S	Gasket, Exhaust Pipe
9	3008-082	1	S	Gasket, Exhaust Joint
10	3008-080	2	S	Gasket, Exhaust Manifold
11	3008-172	1	S	Manifold, Exhaust
12	3008-151	6	S	Screw, Cap
13	3008-173	1	S	Expansion Chamber
14	3008-189	2		Washer
15	3008-188	2		Screw, Cap
16	0624-038	1		Clamp, Hose
17	0624-018	2		Clamp, Hose
18	0610-144	1		Hose, Exhaust - In
18	0610-146	1	/P	Hose, Exhaust - In
19	0673-309	1		Pad, Muffler
20	0624-004	5		Washer
21	0624-005	5	/P	Nut, Lock
22	0610-145	1		Hose, Exhaust - Out
23	0712-128	1		Muffler
24	0673-392	2		Tiedown
25	0624-102	5		Screw, Cap
26	0673-451	1		Ring, Stud - Deflector
27	3008-201	2		Screw, Cap
28	3008-021	2		Washer, Lock
29	0673-436	1		Deflector, Exhaust
30	0673-135	1	/P	Fitting, Outlet - Exhaust
31	0612-455	1		Seal, Outlet Fitting

1994 MONTEGO DELUXE (0672-004-1994)
GAS TANK ASSEMBLY

Page 19 of 46

Ref #	Part Number	Qty	S/P/F	Description
1	0773-223	1		Tank, Gas - Ass'y (inc. 2-5)
2	0670-416	1		. Fitting, Elbow
3	0673-448	1		. Ring, Compression
4	0710-108	0		. Hose, Gasline
5	0510-358	1	/P	. Strainer, Gas Tank
6	0670-270	1		Neck, Filler
7	0670-271	1		Seal, Fillerneck
8	0624-120	17		Clamp, Hose
9	0610-107	0		Hose
10	0673-306	1		Pad, Gas Tank - Right
11	0670-286	1	S	Cap, Gas Gauge
12	0670-304	1		Ring, Mounting - Fillerneck
13	0624-031	6		Screw, Machine
14	0624-005	6	/P	Nut, Lock
15	0624-004	6		Washer
16	0624-037	2		Clamp, Hose
17	0610-096	0	S	Hose, Filler
18	0510-335	3	/P	Filter, Fuel
19	0673-390	2	/P	Tiedown
20	0115-607	2	S	Fitting, Elbow
21	0109-332	1		T-Connection
22	0123-788	2	/P	Tie, Cable
23	0610-059	2		Valve, Check
24	0673-492	1		Grommet
25	0673-307	1	/P	Pad, Gas Tank - Left
26	0673-507	1		Spacer, Filler Neck

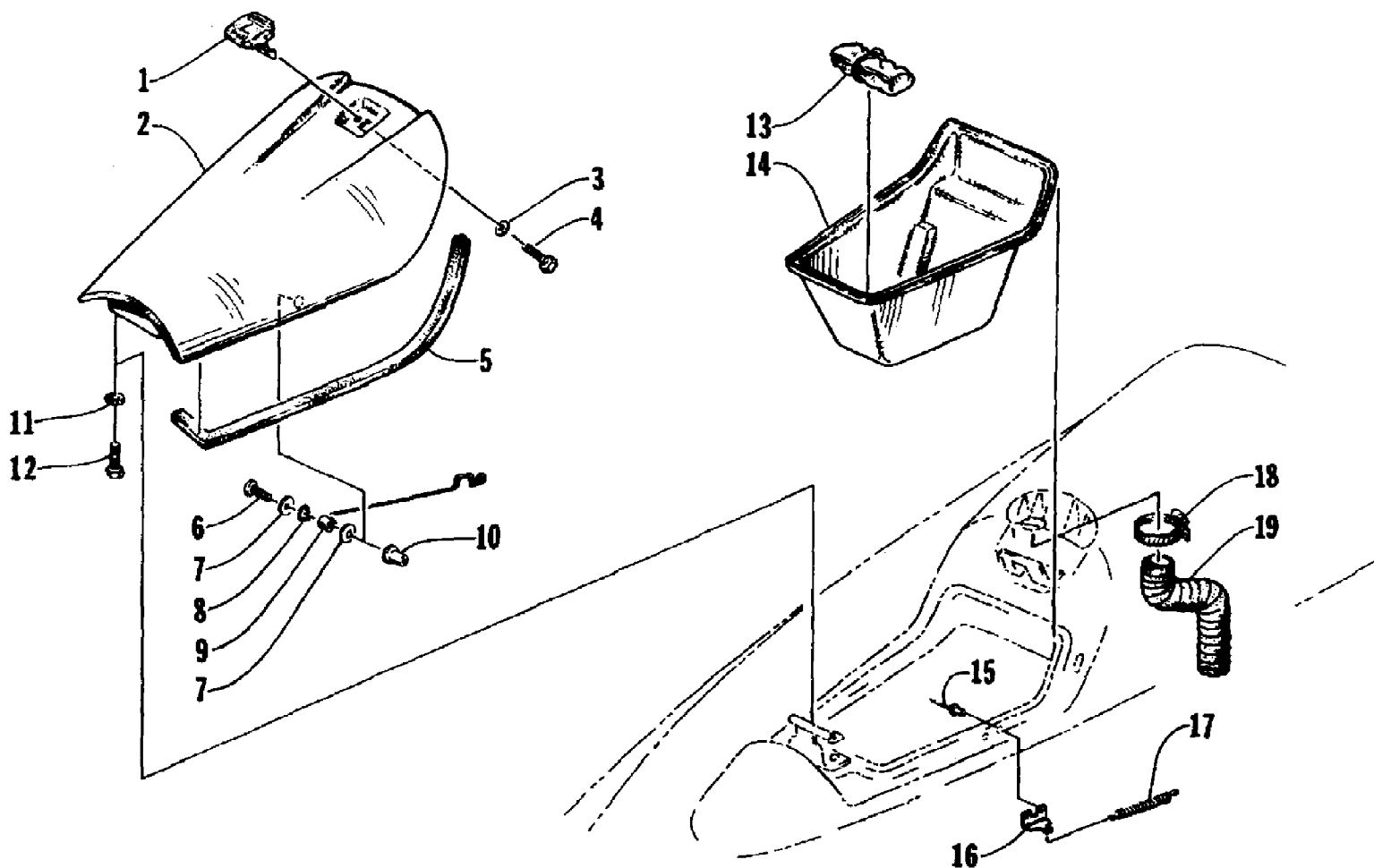


1994 MONTEGO DELUXE (0672-004-1994)
HANDLEBAR ASSEMBLY

Page 21 of 46

Ref #	Part Number	Qty	S/P/F	Description
1	0673-021	1		Grip, Handlebar
2	0773-018	1		Throttle, Ass'y (inc. 3-8)
3	0605-234	1		. Lever, Throttle
4	0605-236	1		. Pin, Throttle Lever
5	0605-235	1		. Housing, Throttle
6	0624-099	1		. Washer
7	0624-113	1		. C-Clip
8	0624-091	1		. Screw, Machine
9	0624-056	4		Screw, Cap
10	0673-282	4		Cap, Steering Adjuster
11	0673-421	1		Bar, Handle
12	0605-244	1		Pad, Handlebar - Front
13	0624-021	4		Nut, Lock
14	0123-788	1	/P	Tie, Cable
15	0609-202	1		Tether, Switch Ass'y (inc. 16-17)
16	0624-148	3		. Screw, Machine
17	0609-176	1	S	. Cord, Tether
18	0605-253	1		Pad, Handlebar - Rear
19	0687-054	1		Cable, Throttle
20	0624-104	1		C-Clip
21	0773-181	1	/P	Cover, Handlebar Pad
22	0686-246	1		Harness, Bilge
23	0673-101	1		Grip, Handlebar
24	0673-318	1		Spacer, Grip

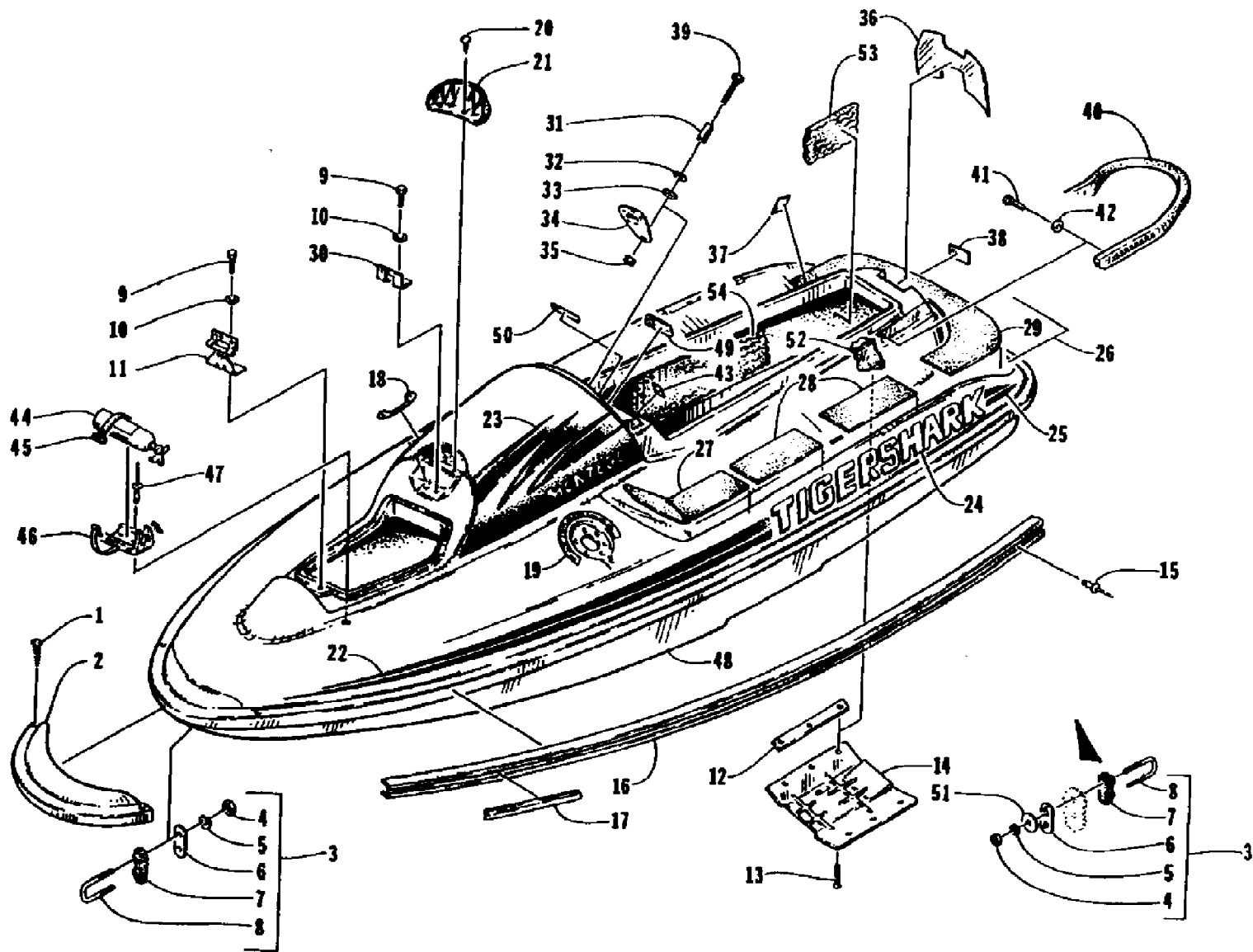
1994 MONTEGO DELUXE (0672-004-1994)
HATCH COVER AND STORAGE TRAY



1994 MONTEGO DELUXE (0672-004-1994)
HATCH COVER AND STORAGE TRAY

Page 23 of 46

Ref #	Part Number	Qty	S/P/F	Description
1	0673-177	1		Latch, Hatch Cover
2	0673-452	1		Cover, Hatch
3	0624-004	2		Washer
4	0624-092	2		Screw, Cap
5	0673-241	1		Seal, Storage Tray
6	0624-053	1	/P	Screw, Machine
7	0624-182	2		Washer, Lock
8	0673-396	1	S	Rod, Hood Prop
9	0673-399	1		Spacer, Spring Rod
10	0624-082	1		Nut, Well
11	0624-036	2		Washer, Lock
12	0624-046	2		Screw, Cap
13	0678-105	1		Kit, Tool
14	0673-250	1		Tray, Storage
15	0624-069	2		Rivet
16	0673-397	1		Bracket, Spring Rod
17	0673-400	1		Spring, Hood Prop
18	0624-207	1		Clamp
19	0610-176	1		Hose, Air Intake



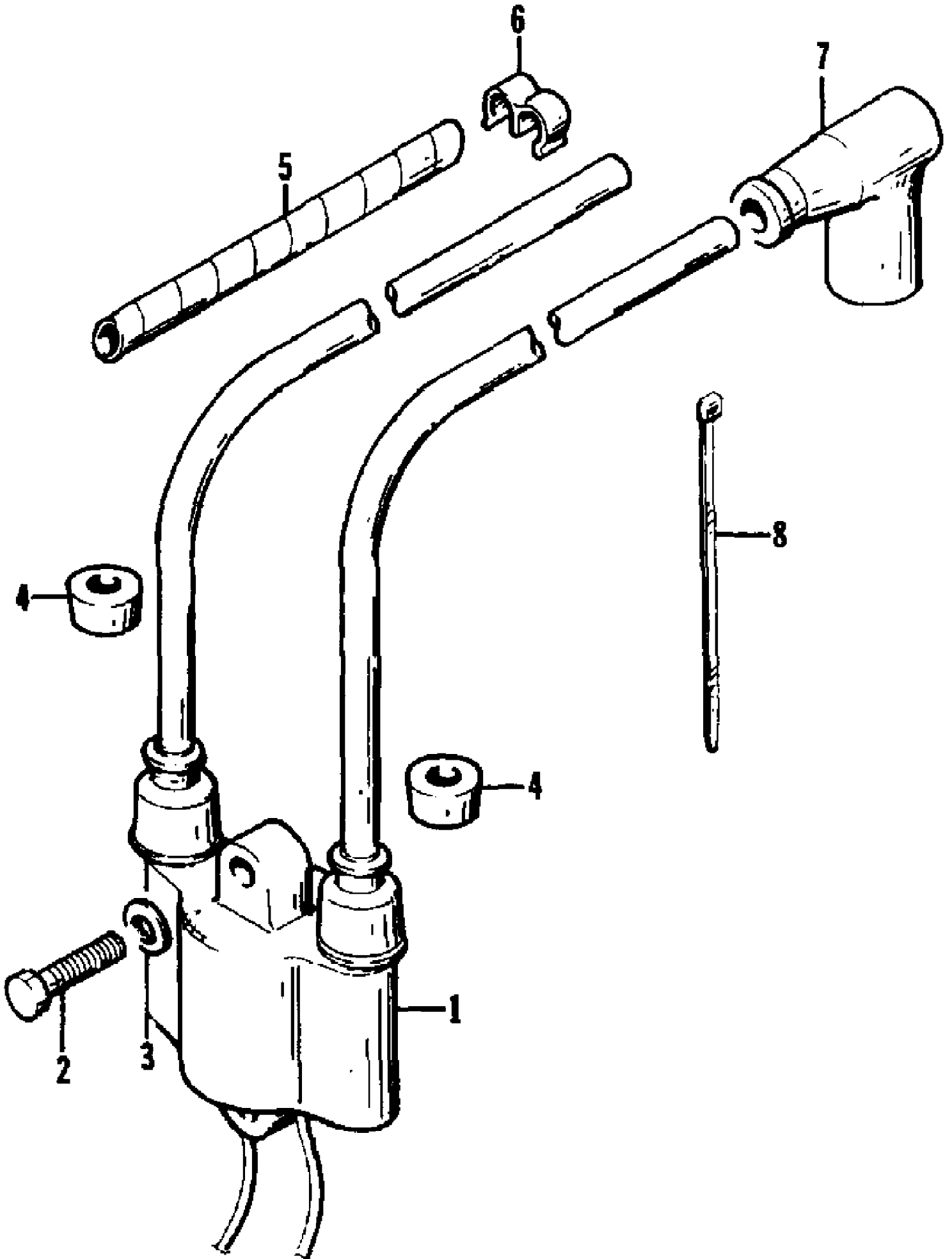
1994 MONTEGO DELUXE (0672-004-1994)
HULL AND DECK ASSEMBLY

Page 25 of 46

Ref #	Part Number	Qty	S/P/F	Description
1	0623-453	2		Clip, Retaining
2	0673-251	1	S	Nose, Cone
3	0624-002	2		Eyehook Ass'y - 1 1/2" (inc. 4-8)
4	0624-149	4		. Nut, Hex
5	0624-027	4		. Washer, Lock
6	0624-150	2		. Plate, Support - Eyehook
7	0624-165	2		. Gasket, Rubber - Eyehook
8	0624-151	2		. Eyehook
9	0624-092	4		Screw, Cap
10	0624-200	4		Washer, Lock
11	0673-407	1	S	Hinge, Hatch Ass'y
12	0673-006	2		Plate, Nut
13	0624-184	6		Screw, Machine
14	0673-207	1		Plate, Ride
15	0624-030	50		Rivet
16	0673-216	1		Trim, Edge - Side
17	0673-217	1		Insert, Edge Trim
18	1611-605	1		Decal, Oil Filler
19	1611-604	1		Decal, Warning Fuel
20	0623-269	2		Clip, Retaining
21	0673-245	1		Grate, Air Intake
22	0614-034	1		Decal, Deck Front - Right
22	0614-035	1		Decal, Deck Front - Left
23	0614-062	1		Decal, Hood - Right
23	0614-063	1		Decal, Hood - Left
24	0614-038	2		Decal, Deck - "Tigershark"
25	0614-036	1		Decal, Deck Rear - Right
25	0614-037	1		Decal, Deck Rear - Left
26	0773-224	1		Pad, Foot - Deck Ass'y (inc. 27-30)
27	0673-340	1		. Pad, Foot - Right
27	0673-341	1		. Pad, Foot - Left
28	0673-304	4		. Pad, Foot
29	0673-303	1		. Pad, Foot - Rear
30	0673-342	1		. Pad, Foot - Rear Right
30	0673-343	1		. Pad, Foot - Rear Left
31	0673-485	1		Stop, Steering
32	0624-008	1		Washer
33	0623-391	1		Washer, Rubber
34	0673-417	1		Plate, Backing
35	0624-009	1		Nut, Lock
36	0614-053	1		Decal, Regulation
37	0614-066	1		Decal, USCG Exemption
38	1611-609	1		Decal, Caution - Hull
39	0624-228	4		Washer
40	0624-223	1		Screw, Cap
41	0624-226	4		Screw, Cap
42	0673-239	1		Handle, Grab
43	1611-866	1		Decal, Warning - Gas Vapors
44	0673-297	1		Catch, Latch
45	0614-064	1		Decal, Console - Deluxe
46	0673-093	1	S	Extinguisher, Fire
47	0624-030	2		Rivet
48	0673-299	1		Extinguisher

1994 MONTEGO DELUXE (0672-004-1994)
HULL AND DECK ASSEMBLY

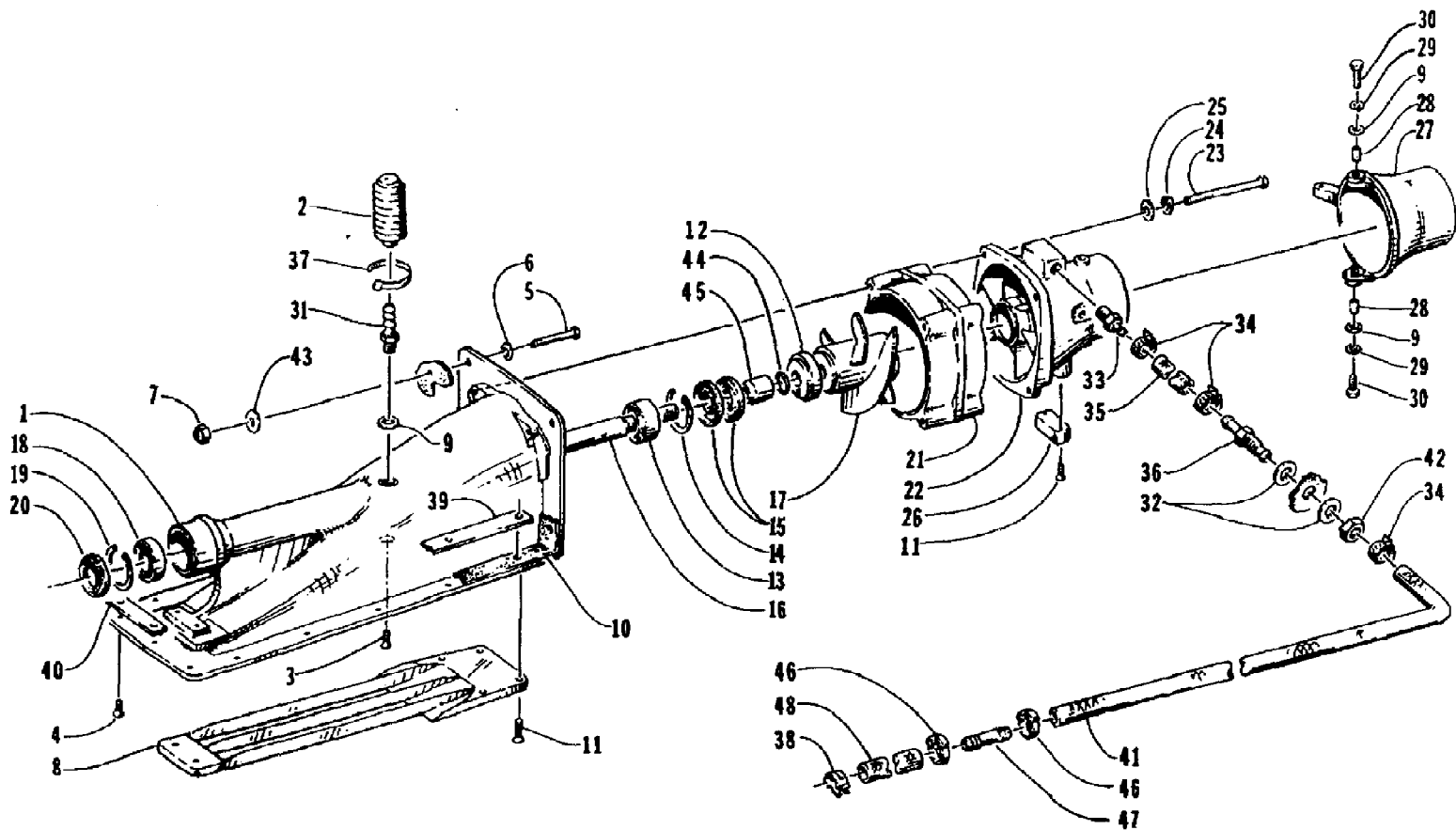
Ref #	Part Number	Qty	S/P/F	Description
49	0673-128	1	/P	Tiedown, Rubber
50	0773-201	1		Hull/Deck Ass'y
51	0614-059	1		Decal, Common Sense
52	0614-068	1	/P	Decal, Choke



1994 MONTEGO DELUXE (0672-004-1994)
IGNITION COIL

Page 28 of 46

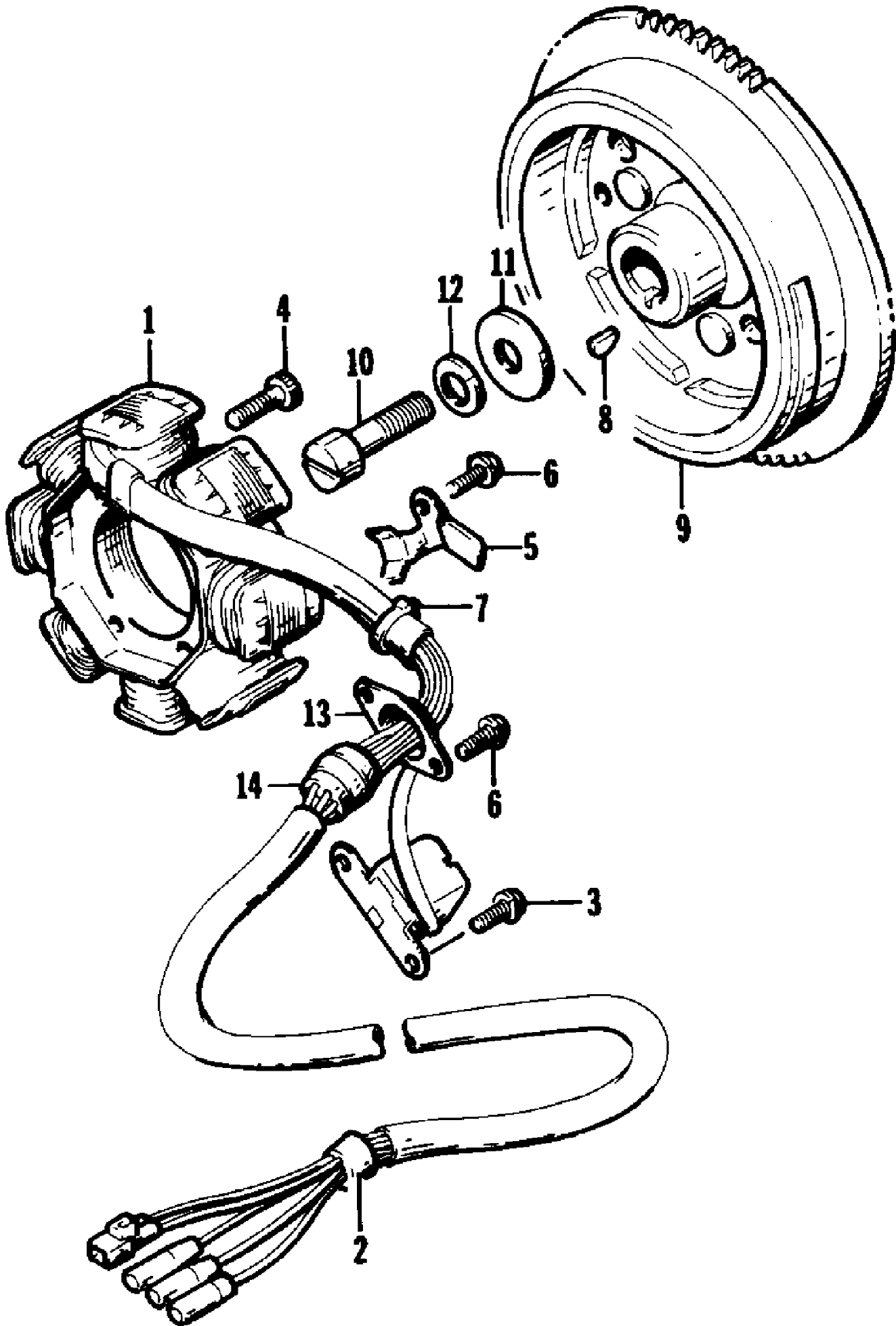
Ref #	Part Number	Qty	S/P/F	Description
1	3008-170	1	S	Coil Ass'y, Ignition
2	3008-220	2		Screw, Cap
3	3003-023	2	/P	Washer
4	3008-114	2		Grommet
5	3008-129	2	/P	Protector, Lead Wire
6	3008-045	1		Clip
7	3003-737	2	S	Cap Ass'y, Spark Plug
8	3003-787	2		Tie, Cable



1994 MONTEGO DELUXE (0672-004-1994)
IMPELLER DRIVE ASSEMBLY

Page 30 of 46

Ref #	Part Number	Qty	S/P/F	Description
1	0673-125	1	S	Inlet, Pump
2	3008-100	1		Bladder, Case
3	0624-091	1		Screw, Machine
4	0624-186	13		Screw, Machine
5	0624-007	4		Screw, Cap
6	0624-008	4		Washer
7	0624-009	4		Nut, Lock
8	0673-262	1		Grate, Inlet
9	0624-106	3		Washer
10	0612-370	1		Seal, Pump Inlet
11	0624-183	8		Screw, Machine
12	0673-364	1		Spacer, Impeller - Driveshaft
13	0673-032	1	/P	Bearing - Rear
14	0624-044	1		Snap-Ring - Rear
15	0673-033	2		Seal, Rear
16	0673-152	1	S	Driveshaft
17	0773-103	1	/P	Impeller
18	0673-030	1		Bearing
19	0624-043	1		Snap-Ring
20	0673-031	1		Seal
21	0673-126	1	/P	Ring, Wear
22	0673-264	1		Venturi, Stator
23	0624-045	4		Screw, Cap
24	0624-027	4		Washer, Lock
25	0624-028	4		Washer
26	0624-084	1		Anode, Zinc
27	0673-038	1		Nozzle, Steering
28	0673-083	2		Bushing, Steering Nozzle
29	0624-036	2		Washer, Lock
30	0624-046	2		Screw, Cap
31	0670-339	1		Fitting
32	0624-116	2		Washer
33	0670-118	1		Fitting, Outlet
34	0624-016	3		Clamp
35	0610-162	1		Hose, Formed
36	0610-173	1		Fitting, Hull
37	0123-811	1		Tie, Cable
38	3008-235	1		Clamp
39	0673-008	2		Plate, Nut
40	0637-009	1	/P	Plate, Nut
41	0610-084	1	S	Hose, Water
42	0624-117	1		Nut
43	0624-159	4		Washer
44	0673-258	1		O-Ring, Impeller
45	0673-256	1		Spacer, Impeller
46	0623-365	2		Clamp
47	0673-464	1		Coupler
48	0710-028	1		Hose, Water

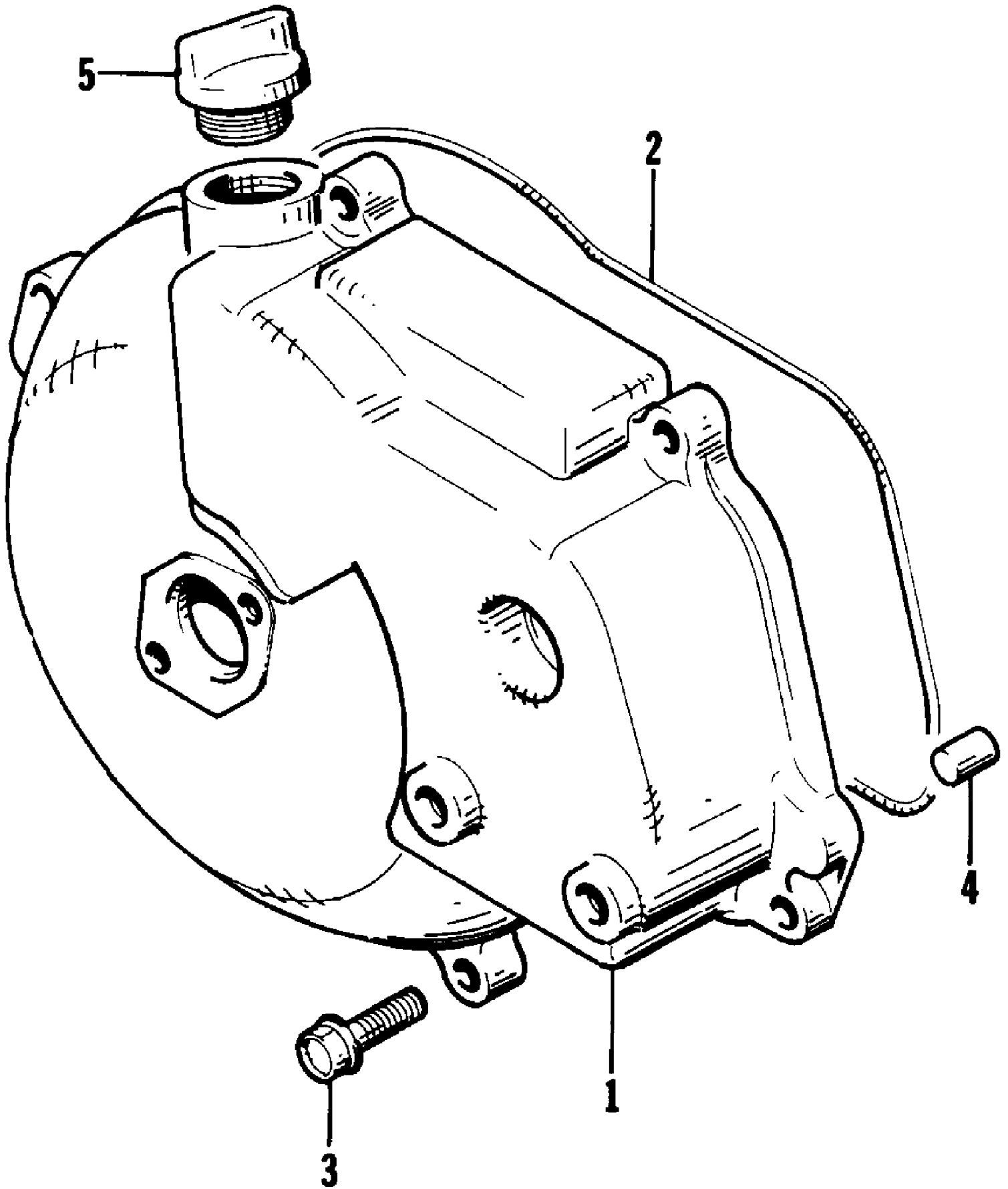


1994 MONTEGO DELUXE (0672-004-1994)
MAGNETO

Page 32 of 46

Ref #	Part Number	Qty	S/P/F	Description
1	3008-107	1	S	Stator
2	3008-111	1		Grommet
3	3003-912	2		Screw, Cap
4	3008-166	3		Screw, Cap
5	3008-109	1		Holder
6	3003-912	3		Screw, Cap
7	3003-787	1		Clamp
8	3002-018	1	S	Key
9	3008-108	1	S	Flywheel
10	3008-119	1	S	Screw, Cap
11	3008-017	1		Washer
12	3008-207	1	/P	Washer, Lock
13	3008-110	1		Holder, Grommet
14	3008-118	1		Grommet

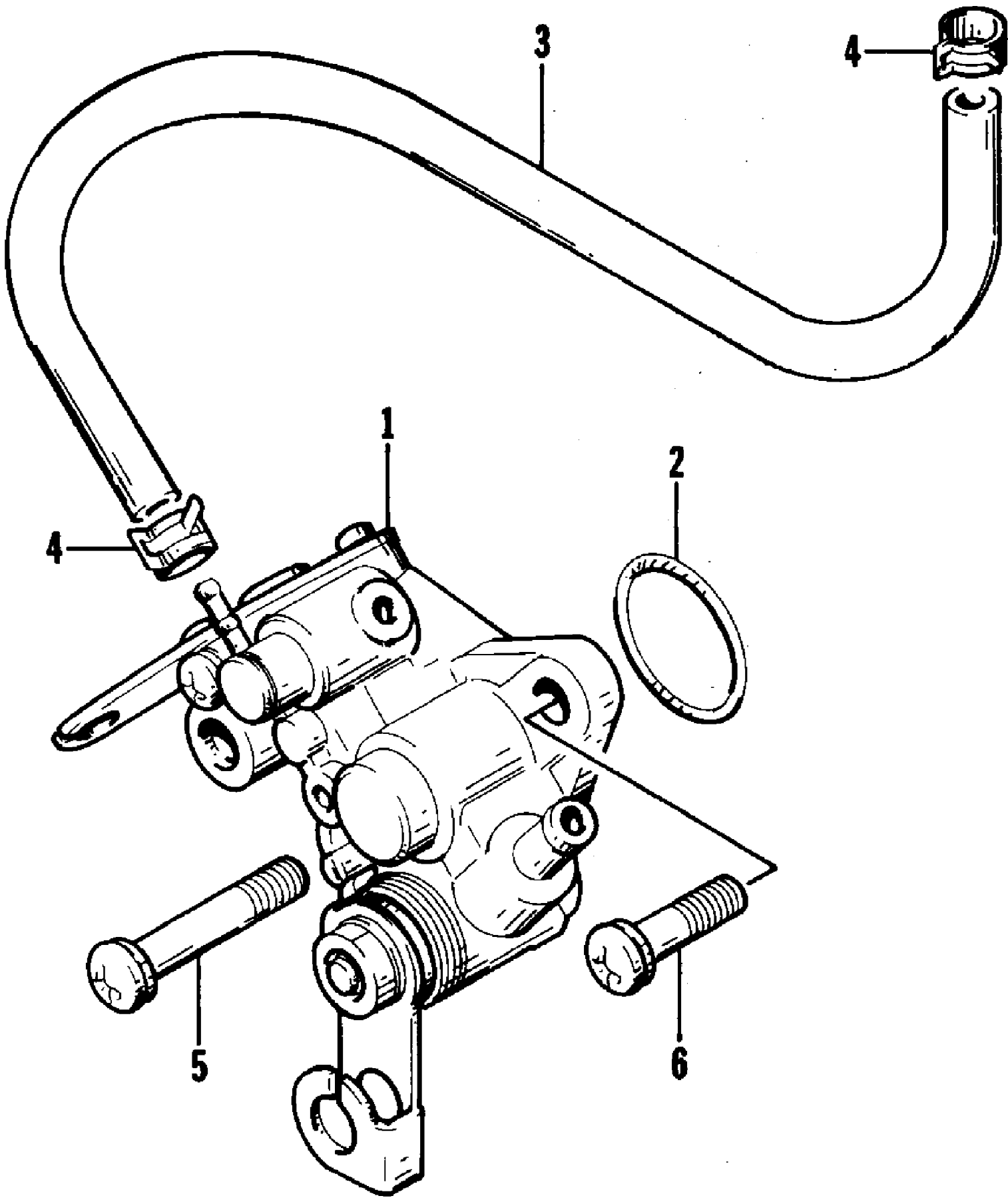
1994 MONTEGO DELUXE (0672-004-1994)
MAGNETO CASE



1994 MONTEGO DELUXE (0672-004-1994)
MAGNETO CASE

Ref #	Part Number	Qty	S/P/F	Description
1	3008-052	1	S	Case, Magneto
2	3008-053	1		O-Ring
3	3008-213	6	/P	Screw, Cap
4	3008-146	2		Pin
5	3008-023	1		Plug

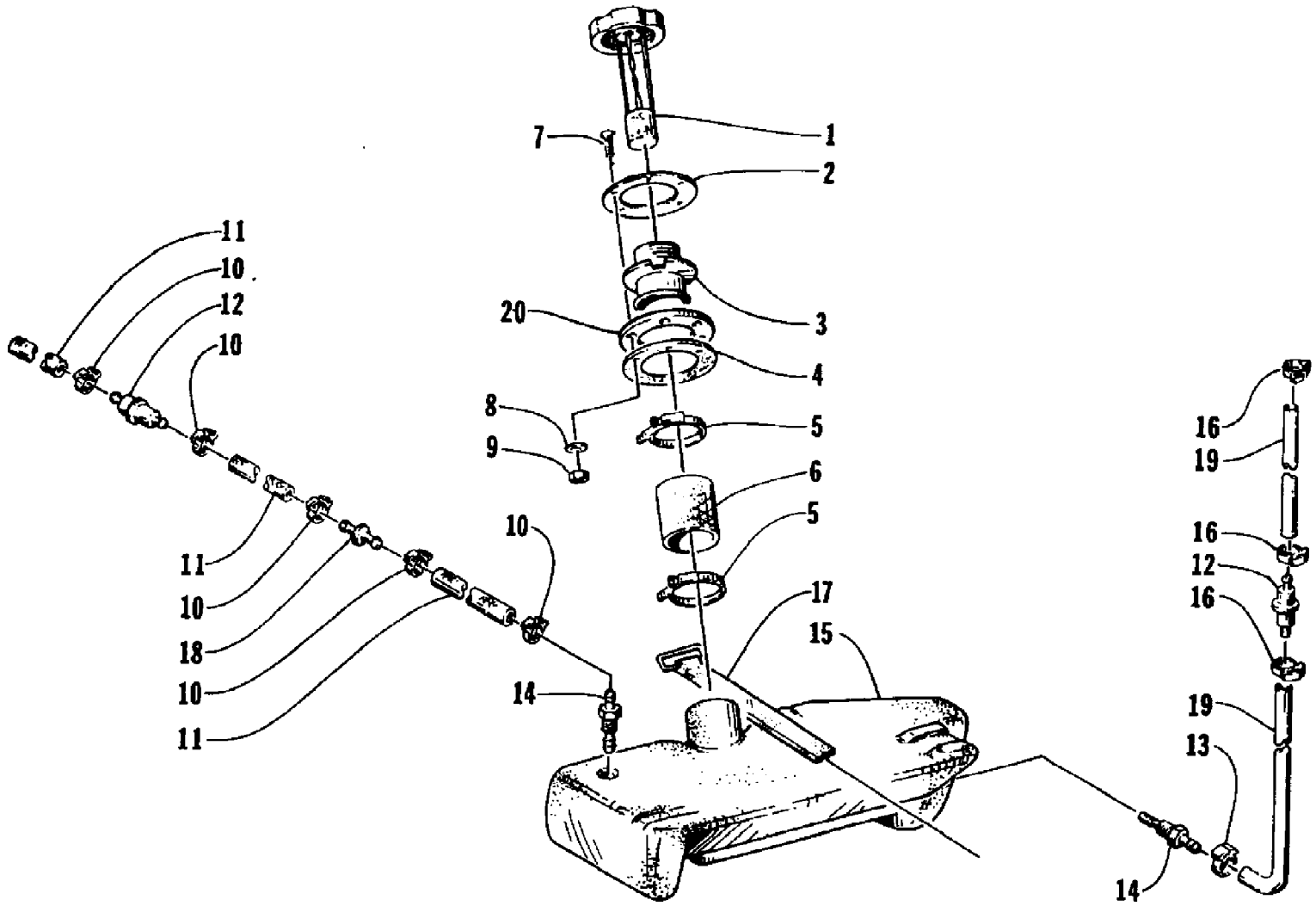
1994 MONTEGO DELUXE (0672-004-1994)
OIL PUMP



1994 MONTEGO DELUXE (0672-004-1994)
OIL PUMP

Page 36 of 46

Ref #	Part Number	Qty	S/P/F	Description
1	3008-191	1	S	Oil Pump Ass'y
2	3008-030	1		O-Ring
3	3008-035	1	/P	Hose
4	3008-037	2	/P	Clamp
5	3008-162	1		Screw, Cap
6	3008-192	1		Screw, Cap

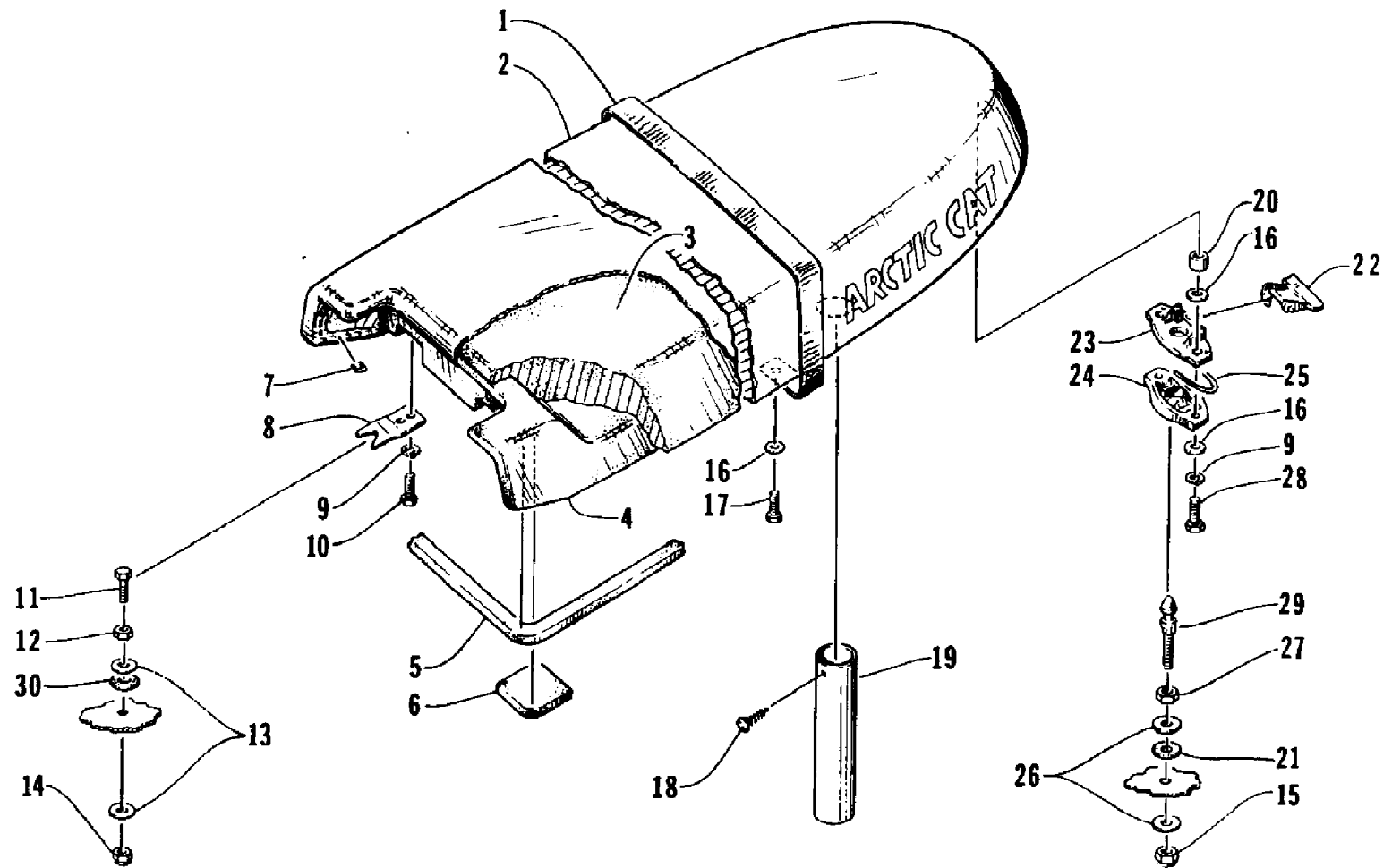


1994 MONTEGO DELUXE (0672-004-1994)
OIL TANK ASSEMBLY

Page 38 of 46

Ref #	Part Number	Qty	S/P/F	Description
1	0670-287	1	/P	Cap, Oil Gauge
2	0670-304	1		Ring, Mounting Fillerneck
3	0670-270	1		Neck, Filler
4	0670-271	1		Seal, Fillerneck
5	0624-037	4		Clamp, Hose
6	0610-096	1	S	Hose, Filler
7	0624-031	6		Screw, Machine
8	0624-004	6		Washer
9	0624-005	6	/P	Nut, Lock
10	0624-120	5		Hose, Clamp
11	0610-107	0		Hose
12	0510-335	2	/P	Filter, Fuel
13	0623-063	1		Clamp, Hose
14	0670-042	2	/P	Outlet, Tank
15	0670-422	1		Tank, Oil
16	0623-502	3		Clamp
17	0673-390	2	/P	Tiedown
18	0610-059	1		Valve, Check
19	0710-022	0	S	Hose, Oilline
20	0673-507	1		Spacer, Filler Neck

1994 MONTEGO DELUXE (0672-004-1994)
SEAT ASSEMBLY

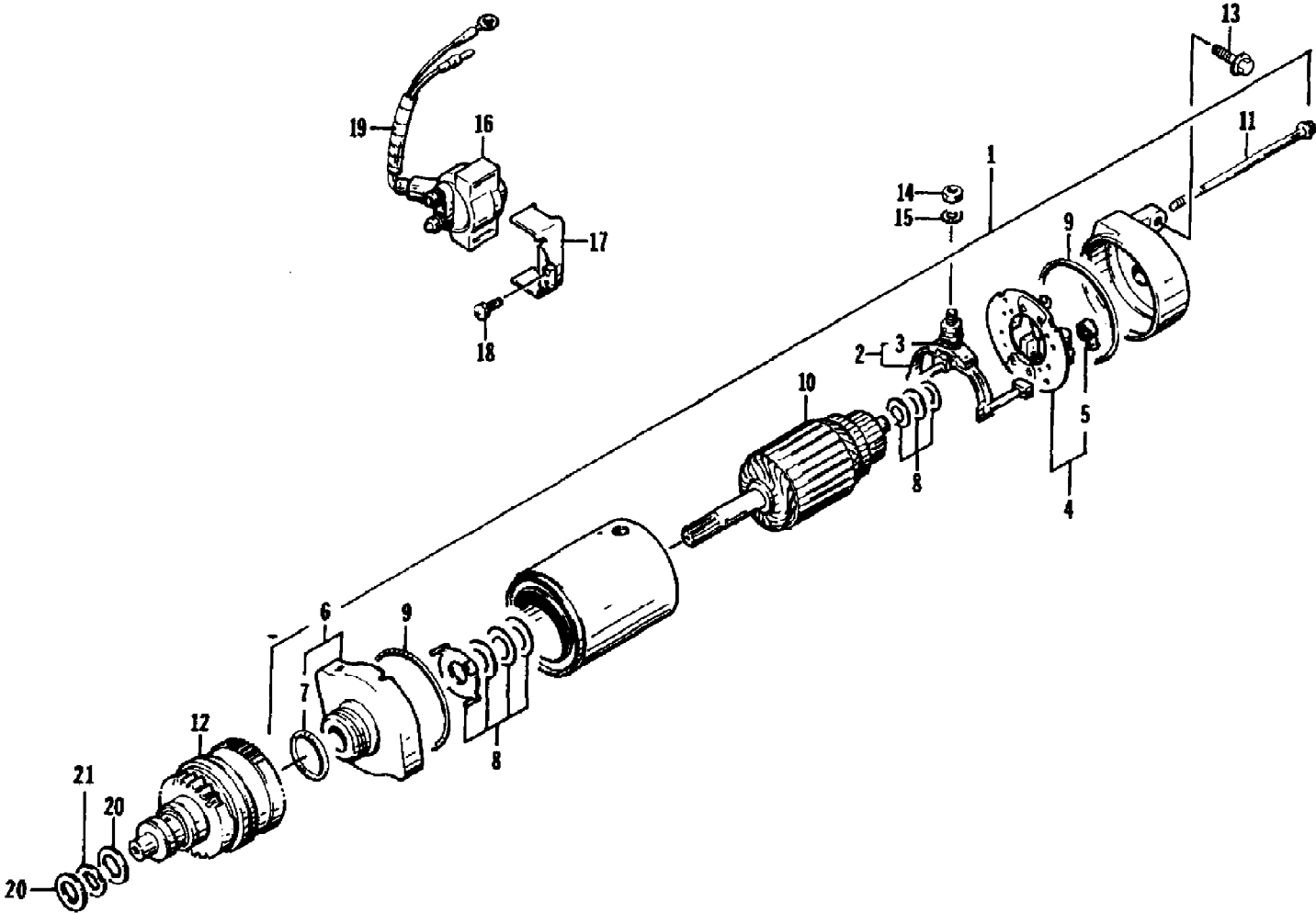


1994 MONTEGO DELUXE (0672-004-1994)
SEAT ASSEMBLY

Page 40 of 46

Ref #	Part Number	Qty	S/P/F	Description
1	0673-110	1	S	Strap, Seat
2	0773-205	1		Cover, Seat w/Silkscreen
3	0773-082	1		Foam, Seat
4	0673-210	1		Base, Seat
5	0773-213	0	/P	Seal, Seat Base
6	0673-498	1		Support, Seat Base Seal - Right
6	0673-499	1		Support, Seat Base Seal - Left
7	0624-263	0		Staple
8	0673-412	2		Hook, Seat Base
9	0624-036	4		Washer, Lock
10	0624-046	4		Screw, Cap
11	0624-087	2		Screw, Cap
12	0624-061	2		Nut, Jam
13	0624-125	4	/P	Washer
14	0624-090	2		Nut, Lock
15	0624-009	1		Nut, Lock
16	0624-022	6		Washer
17	0624-128	2		Screw, Cap
18	0623-269	2		Clip, Retainer
19	0673-240	1	S	Air Tube, Exhaust
20	0673-083	2		Bushing
21	0623-391	1		Washer, Rubber
22	0673-026	1		Lever, Release - Seat Latch
23	0673-024	1	S	Cover, Latch - Seat
24	0673-025	1		Back, Latch - Seat
25	0673-023	1		Clip, Retaining
26	0624-013	2		Washer
27	0624-047	1		Nut, Jam
28	0624-052	2		Screw, Cap
29	0673-007	1		Stud, Latch - Seat

1994 MONTEGO DELUXE (0672-004-1994)
STARTER MOTOR

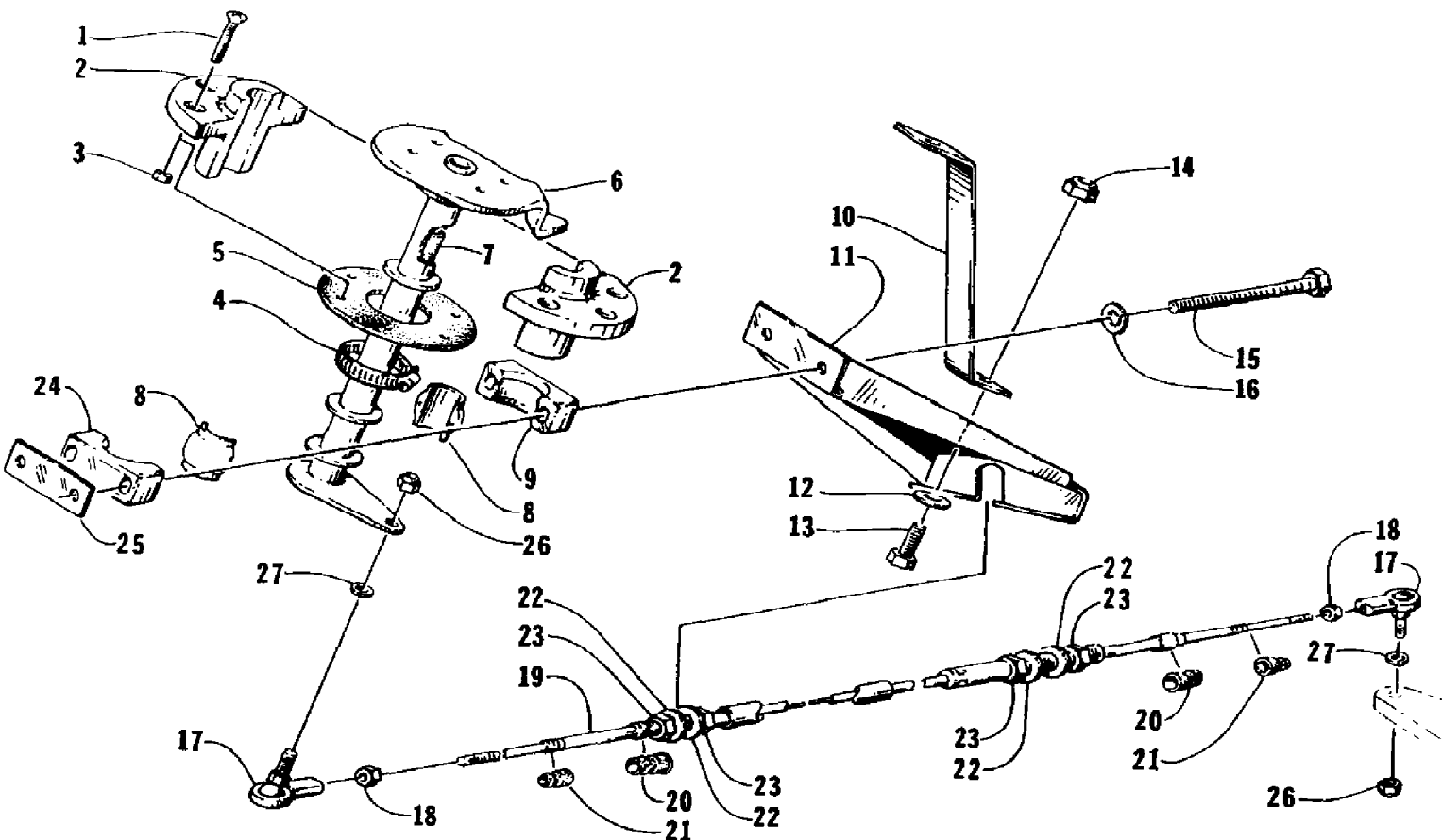


1994 MONTEGO DELUXE (0672-004-1994)
STARTER MOTOR

Page 42 of 46

Ref #	Part Number	Qty	S/P/F	Description
1	3008-093	1	S	Starter Motor Ass'y (inc. 2-11)
2	3008-094	1	/P	. Terminal Set, Brush (inc. 3)
3	3008-164	1		.. O-Ring
4	3008-095	1	/P	. Holder Set, Brush (inc. 5)
5	3008-096	4		.. Spring, Brush
6	3008-097	1	S	. Front Bracket Ass'y (inc. 7)
7	3008-098	1	S	.. O-Ring
8	3008-099	2		. Washer Set
9	3008-101	2	S	. O-Ring
10	3008-103	1		. Armature
11	3008-102	2		. Cap, Screw
12	3008-104	1	S	Pinion Ass'y
13	3008-009	2		Screw, Cap
14	3008-014	1		Nut
15	3008-020	1		Washer
16	3008-165	1	/P	Relay
17	3008-140	1		Bracket
18	3008-217	1		Screw, Cap
19	3008-135	1	S	Tube
20	3008-193	2	S	Washer
21	3008-221	1		Washer

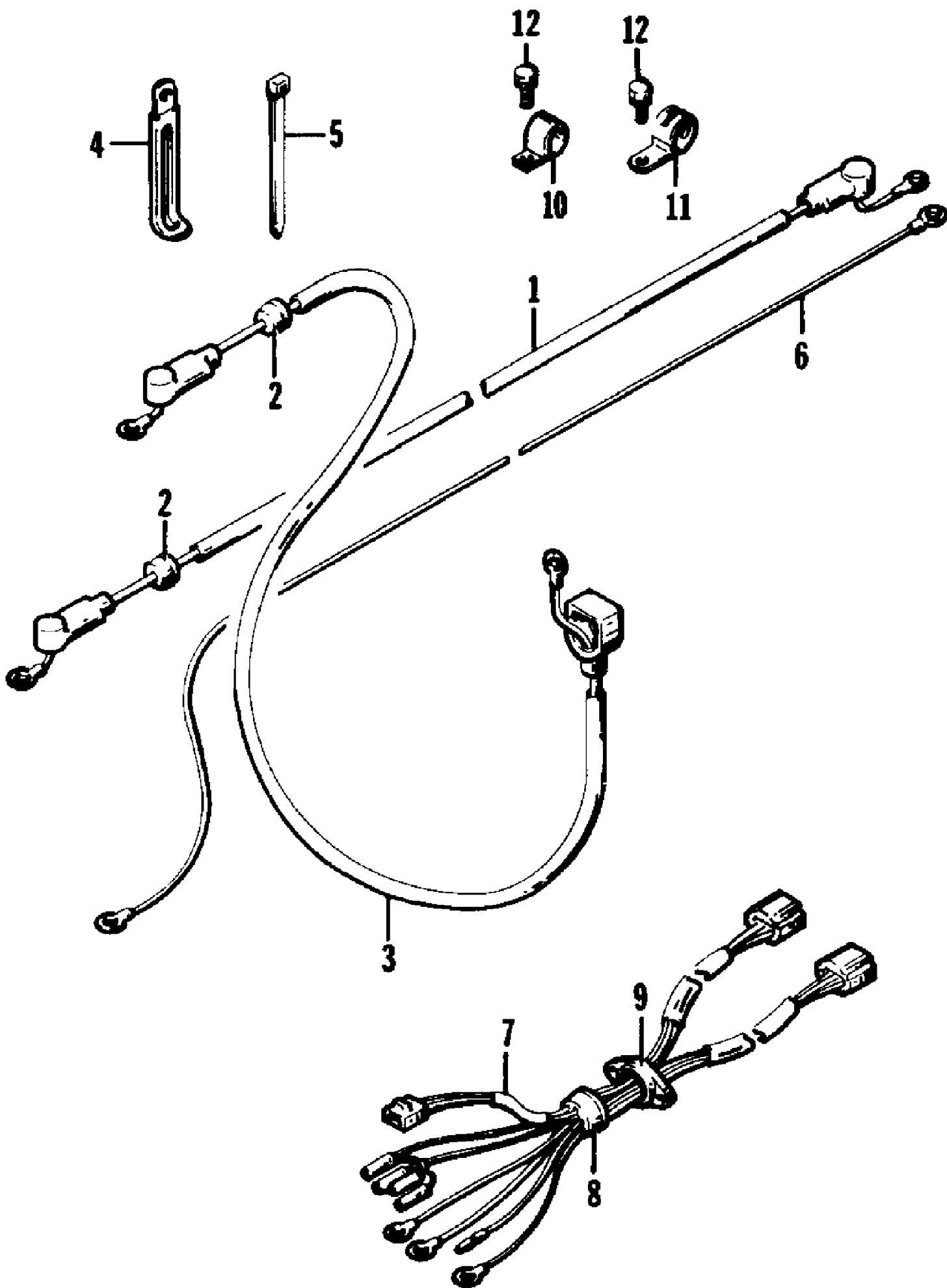
1994 MONTEGO DELUXE (0672-004-1994)
STEERING POST ASSEMBLY



1994 MONTEGO DELUXE (0672-004-1994)
STEERING POST ASSEMBLY

Page 44 of 46

Ref #	Part Number	Qty	S/P/F	Description
1	0624-186	6		Screw, Machine
2	0673-122	2		Bearing, Half-Steering Post
3	0624-021	6		Nut, Lock
4	0624-038	2		Clamp
5	0673-056	1		Seal, Bearing
6	0773-096	1	/P	Post, Steering
7	0717-052	0	/P	Foam, Neoprene Tape
8	0605-149	2		Bearing, Steering Post
9	0605-171	1		Housing, Bearing
10	0673-457	1		Bracket, Support
11	0773-095	1	/P	Bracket, Steering Cable
12	0624-125	1	/P	Washer
13	0624-229	1		Screw, Cap
14	0624-090	1		Nut, Lock
15	0624-192	2		Screw, Cap
16	0624-028	2		Washer, Lock
17	0673-028	2		End, Steering Cable
18	0624-107	2		Nut, Jam
19	0673-232	1	/P	Cable, Steering
19	0673-324	1	/P	Cable, Steering
20	0612-363	2		Seal, Rod
21	0612-364	2		Seal, Steering Cable
22	0624-106	4		Washer
23	0624-105	4		Nut, Jam
24	0705-064	1	/P	Housing, Bearing
25	0673-366	1		Spacer, Bearing Housing



1994 MONTEGO DELUXE (0672-004-1994)
WIRING HARNESS

Page 46 of 46

Ref #	Part Number	Qty	S/P/F	Description
1	3008-130	1		Cable, Starter Motor (inc. 2)
2	3008-115	2		. Grommet
3	3008-131	1		Cable, Battery
4	3008-157	1		Clamp
5	3008-044	2		Tie, Cable
6	3008-154	1		Cable, Ground
7	3008-179	1		Harness, Wiring (inc. 8-9)
8	3008-117	1		. Grommet
9	3008-126	1		. Holder, Grommet
10	3008-041	1		Clamp
11	3008-042	1		Clamp
12	3008-006	2		Screw, Cap