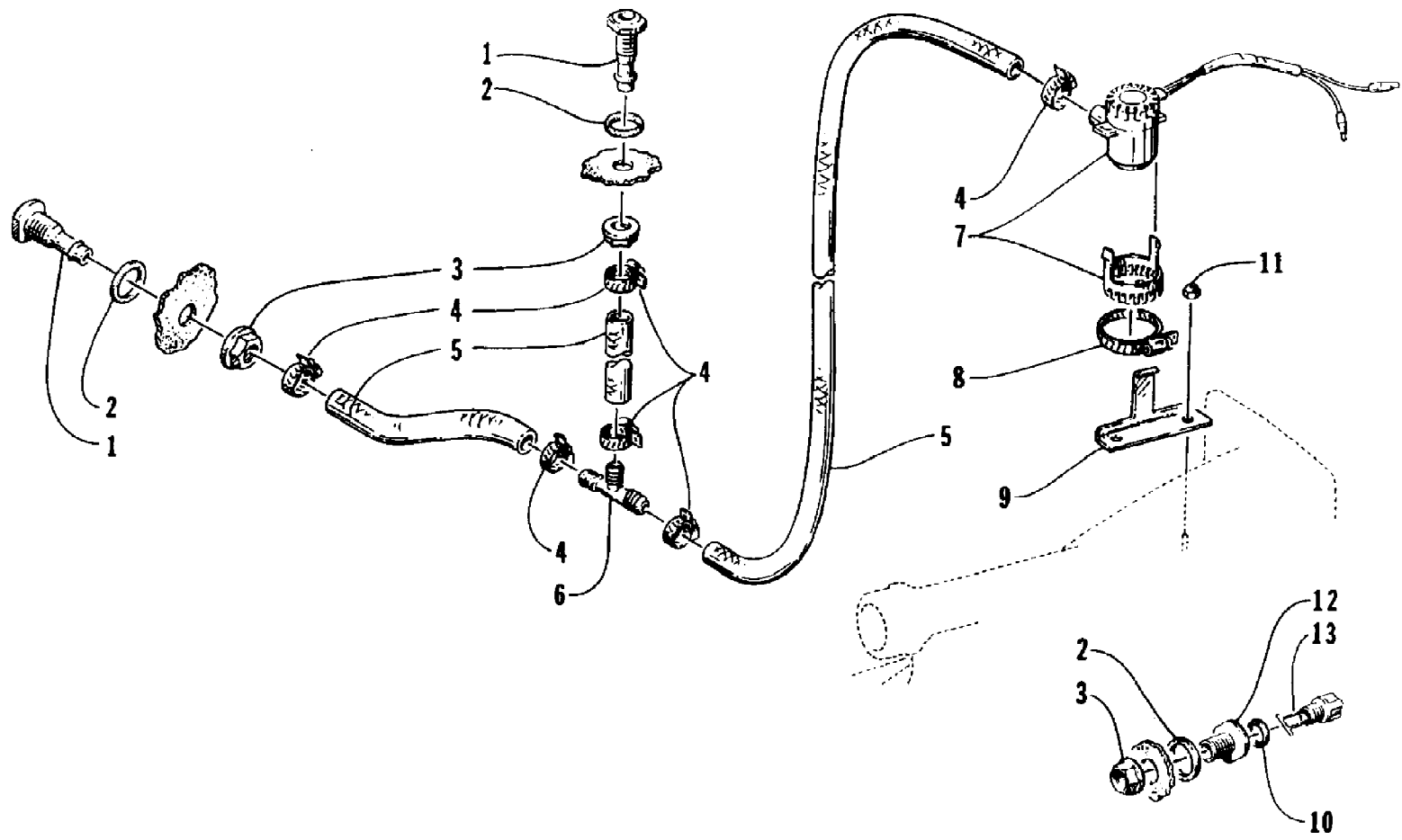


1994 MONTE CARLO (0672-008-1994)
BILGE PUMP ASSEMBLY

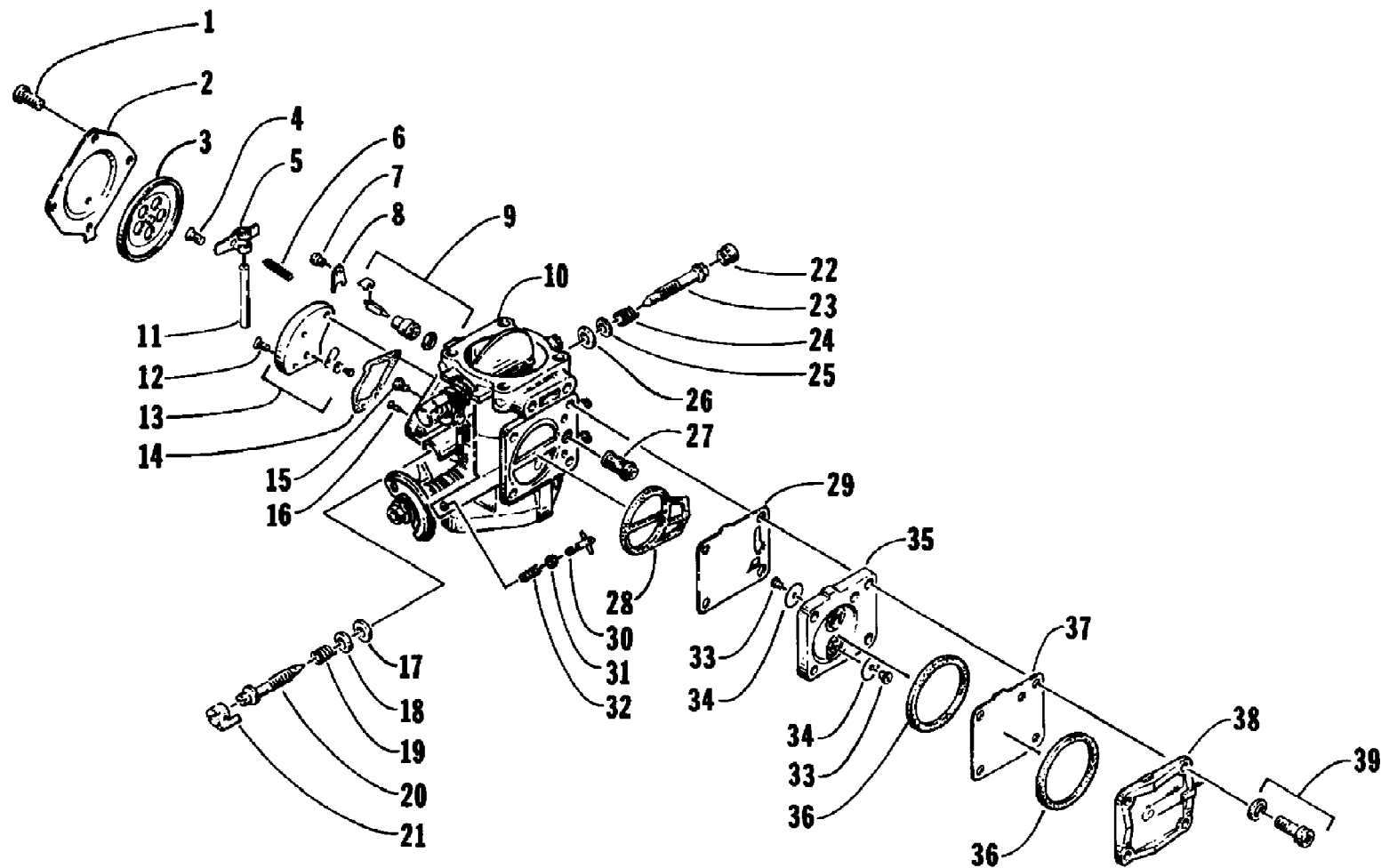


1994 MONTE CARLO (0672-008-1994)
BILGE PUMP ASSEMBLY

Page 2 of 50

Ref #	Part Number	Qty	S/P/F	Description
1	0673-377	2		Fitting, Outlet - Bilge
2	0612-456	3		Seal, Fitting
3	0673-378	3	S	Nut, Fitting
4	0624-016	6		Clamp, Hose
5	0619-167	0		Hose, Bilge
6	0673-483	1		T-Connection
7	0673-012	1		Pump, Bilge
8	0624-037	1		Clamp
9	0673-435	1		Plate, Mounting - Bilge Pump
10	0673-405	1		Seal, Drain Plug
11	0624-021	2		Nut, Lock
12	0673-278	1		Retainer, Drain Plug
13	0673-404	1		Plug, Drain

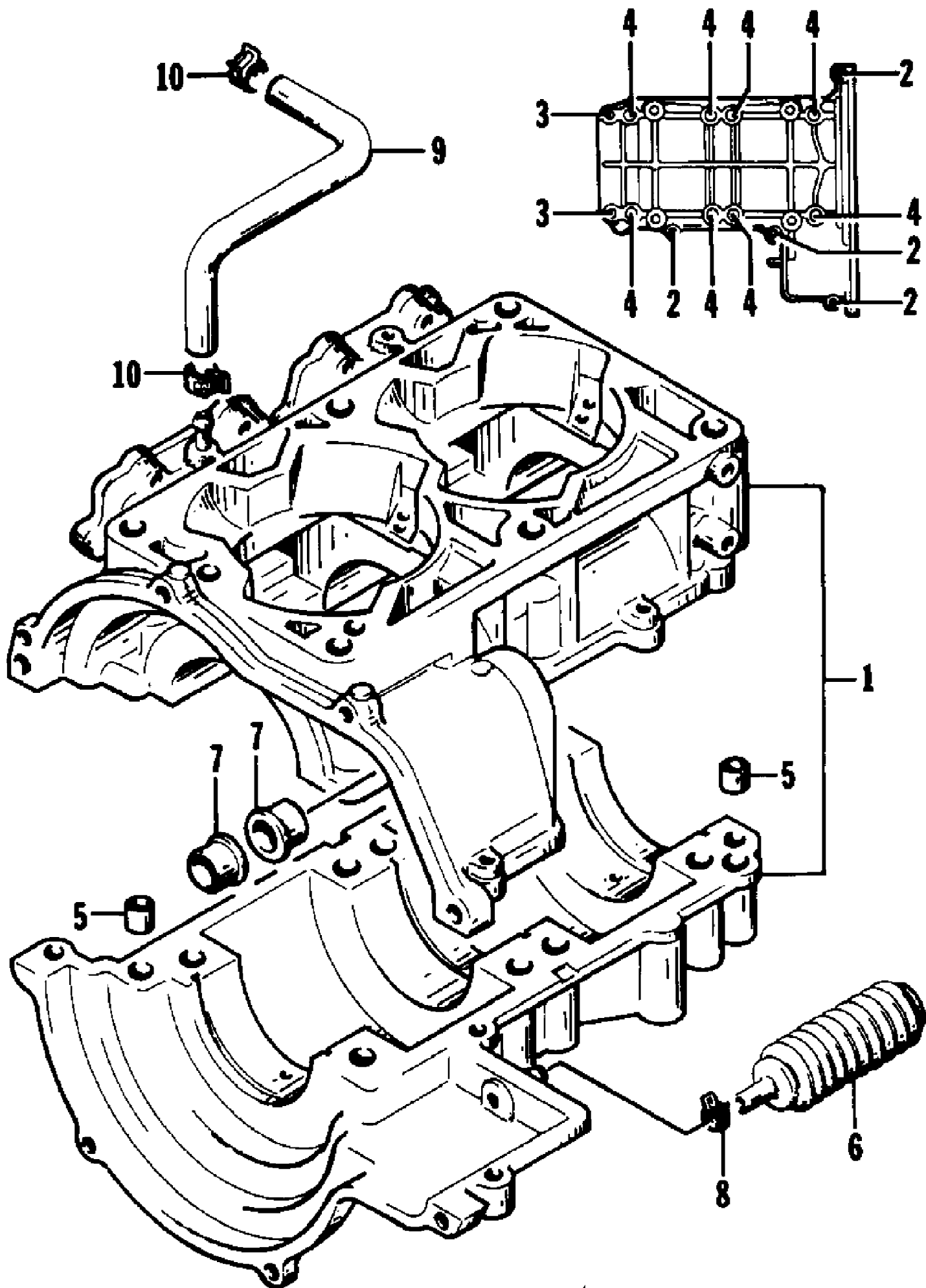
1994 MONTE CARLO (0672-008-1994)
CARBURETOR



1994 MONTE CARLO (0672-008-1994)
CARBURETOR

Page 4 of 50

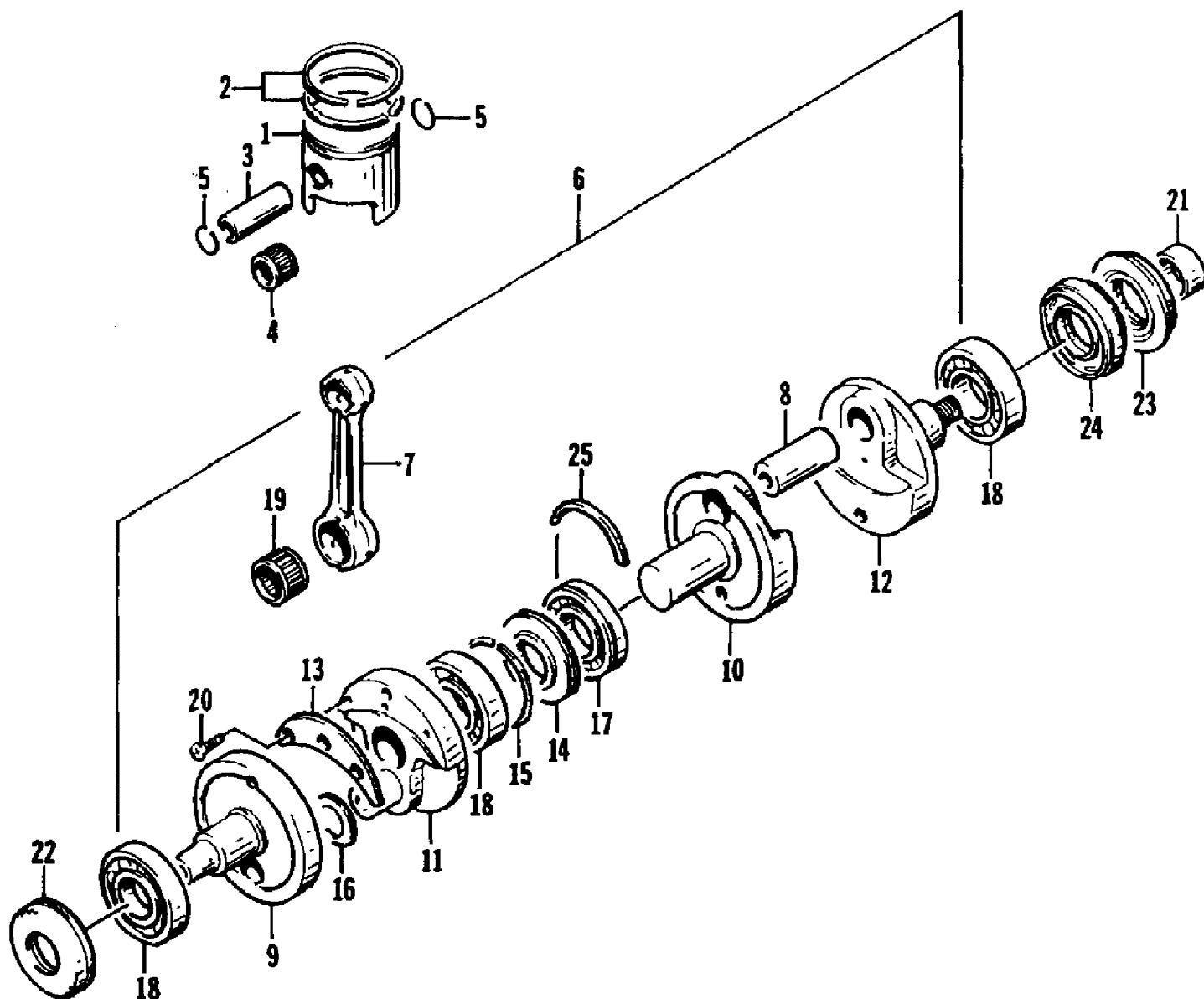
Ref #	Part Number	Qty	S/P/F	Description
	0670-369	1		Carburetor Ass'y
1	6505-689	4		Screw, Cap
2	6505-662	1		Cover
3	6505-663	1		Diaphragm Ass'y
4	6505-692	1		Screw, Machine
5	6505-664	1		Arm
6	6505-669	1		Spring
7	6505-695	1		Screw, Machine
8	6505-682	1		Plate
9	6505-671	1		Needle Valve Ass'y
10	0	1	F	Mixing Body
11	6505-681	1		Pin
12	6505-679	2		Screw, Machine
13	6505-680	1		Block, Metering
14	6505-677	1		Gasket
15	6505-694	1		Main Jet - 107.5
16	6505-690	1	S	Pilot Jet - 125
17	6505-668	1		Seal
18	6505-661	1		Washer
19	6505-660	1		Spring
20	6505-667	1		Adjuster
21	6505-659	1		Cap
22	6505-698	1		Cap
23	6505-699	1		Adjuster
24	6505-678	1		Spring
25	6505-703	1		Washer
26	6505-700	1	S	O-Ring
27	6505-676	1		Filter
28	6505-665	1		S-Gasket
29	6505-715	1	S	Diaphragm, Damper
30	6505-702	1		Screw Ass'y
31	6505-703	1		Washer
32	6505-651	1		Spring
33	0	2	F	Grommet
34	0	2	F	Valve
35	6505-655	1		Body Ass'y, Diaphragm
36	6505-683	1		O-Ring
37	6505-654	1		Diaphragm, Pump
38	6505-652	1		Cover, Pump
39	6505-704	4		Screw w/Washer
40	6505-653	1		Gasket
41	6505-817	1		Bushing, Choke Shaft
42	6505-701	1		Seal, Choke Shaft
43	6505-822	1		Collar, Choke Shaft



1994 MONTE CARLO (0672-008-1994)
CRANKCASE

Page 6 of 50

Ref #	Part Number	Qty	S/P/F	Description
1	3008-176	1		Crankcase Ass'y (inc. 2-5)
2	3008-210	4	/P	. Cap, Screw
3	3008-211	2	S	. Cap, Screw
4	3008-212	8	/P	. Cap, Screw
5	0691-729	2		. Pin
6	3008-100	1		Bladder, Magneto Case
7	3008-105	2		Bushing, Pinion Shaft
8	3008-038	1		Clamp
9	0691-377	1	S	Hose, Vacuum
10	3008-039	2		Clamp, Hose

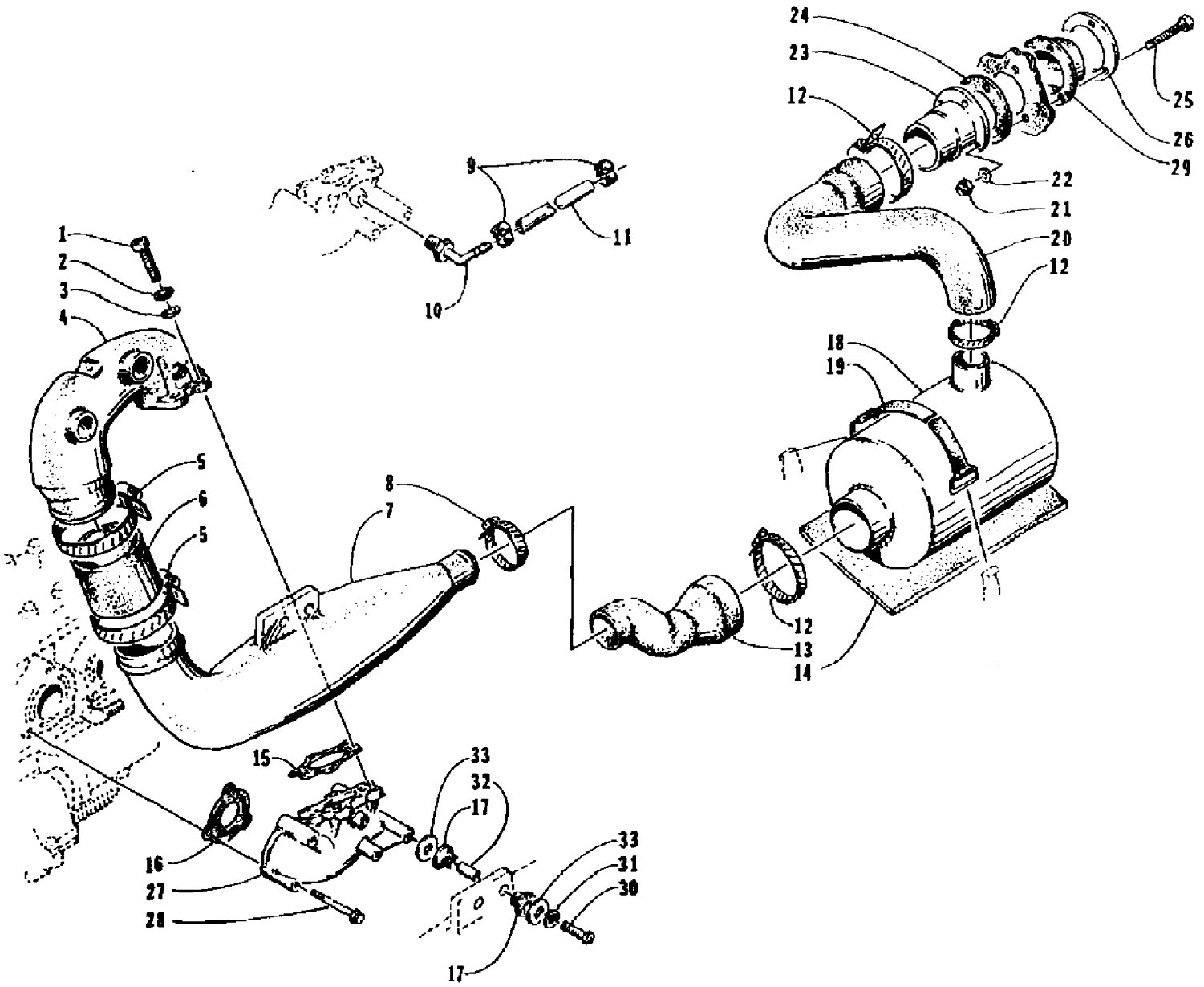


1994 MONTE CARLO (0672-008-1994)
CRANKSHAFT

Page 8 of 50

Ref #	Part Number	Qty	S/P/F	Description
1	3008-223	2	S	Piston, Standard
1	3008-060	2		Piston, Optional (+ .012")
1	3008-181	2		Piston, Optional (+ .022")
2	3008-224	2	S	Ring Set, Standard
2	3008-143	2	/P	Ring Set, Optional (+ .012")
2	3008-183	2		Ring Set, Optional (+ .022")
3	3003-338	2	S	Pin
4	3003-433	2	/P	Bearing
5	3003-439	4	/P	Snap Ring
6	3008-063	1	S	Crankshaft Ass'y (inc. 7-20)
7	3008-062	2		. Connecting Rod
8	3008-064	1	S	. Crank Pin
9	3008-065	1		. Crankshaft, Right
10	3008-066	1		. Crankshaft, Center
11	3008-067	1		. Wheel
12	3008-068	1		. Crankshaft, Left
13	3008-069	1		. Balancer
14	3008-070	1		. Race, Center
15	3008-871	1		. Ring, Center
16	3008-019	1		. Washer
17	3008-027	1		. Bearing
18	3008-028	3	S	. Bearing
19	3008-029	2		. Bearing
20	3004-372	3	S	. Screw, Machine
21	3008-072	1		Spacer, Crankshaft
22	3008-031	1		Seal, Oil - Right
23	3008-032	1		Seal, Oil - Left
24	3008-033	1		Seal, Oil - Center
25	3003-216	1		C-Ring

1994 MONTE CARLO (0672-008-1994)
CYLINDER ASSEMBLY

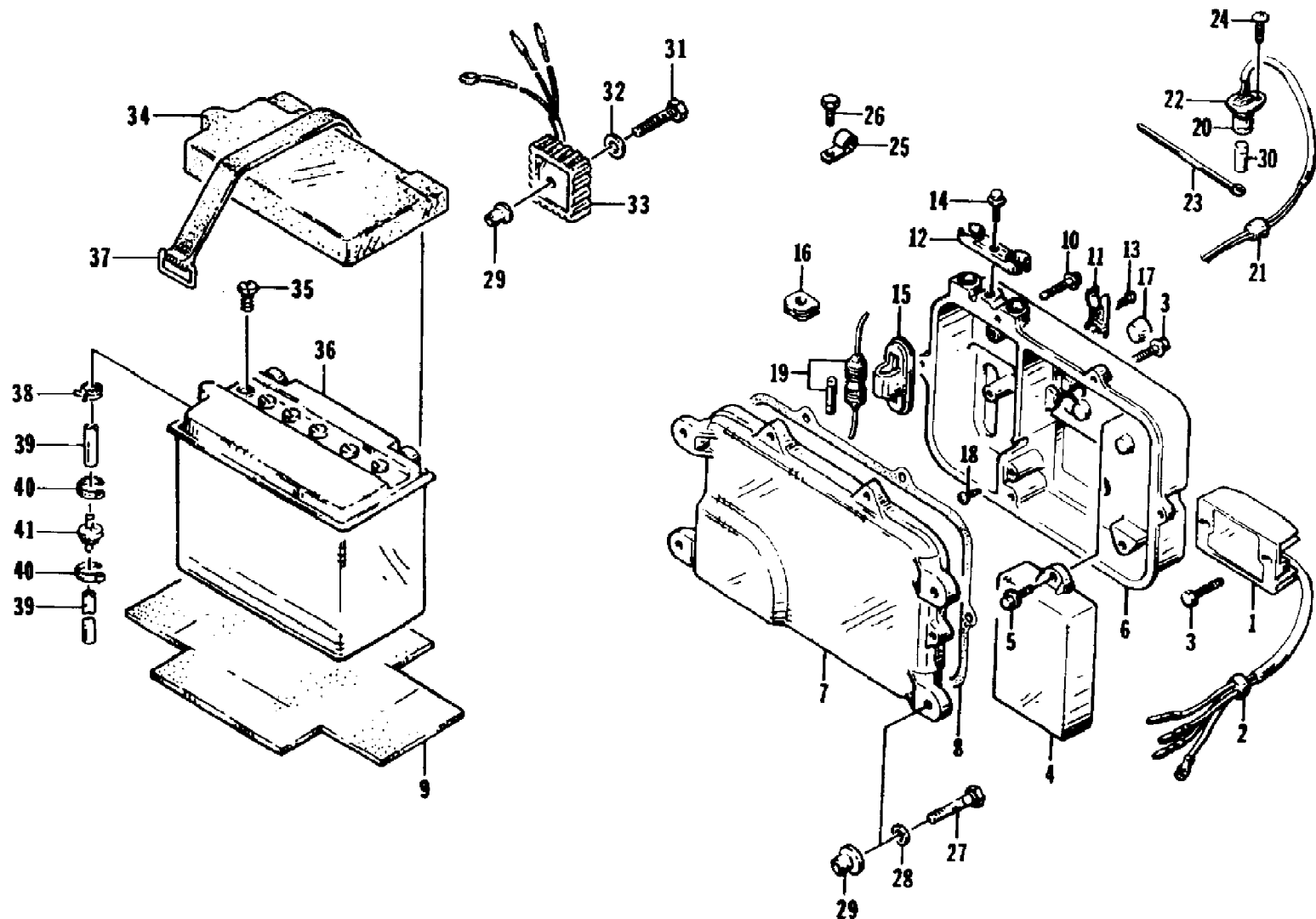


1994 MONTE CARLO (0672-008-1994)
CYLINDER ASSEMBLY

Page 10 of 50

Ref #	Part Number	Qty	S/P/F	Description
1	3008-206	11	/P	Screw, Cap
2	3008-059	1		Hook
3	0217-700	2		Spark Plug (BR9ES)
4	3008-194	1	S	Head, Cylinder
5	3008-174	1	S	Gasket, Cylinder Head
6	3008-209	5	/P	Nut
7	3008-207	5	/P	Washer, Lock
8	3004-237	5		Washer
9	3008-024	1	S	Plug
10	3008-225	1	S	Cylinder
11	3008-043	2	S	Clamp
12	3008-092	1		Union
13	3008-050	1		Gasket, Cylinder
14	3008-145	1	S	Stud
15	3008-208	1		Nut
16	3008-236	5		Stud
17	3008-013	1		Screw, Cap
18	3008-047	1		Zinc, Anode (inc. 17)
19	3008-216	3		Screw, Cap
20	3008-089	1		Cap, Thermostat
21	0624-016	4		Clamp, Hose
22	3008-230	1		Gasket, Thermostat
23	0673-374	1		Outlet, Water
24	0612-360	1		Seal, Outlet
25	0673-378	1	S	Nut, Outlet
26	0610-106	0	/P	Hose, Water
27	0623-365	2		Clamp
28	0624-524	1		Fitting, Exhaust Pipe
29	0673-137	1		T - Connection
30	3008-146	2		Pin
31	0610-183	0		Hose, Water

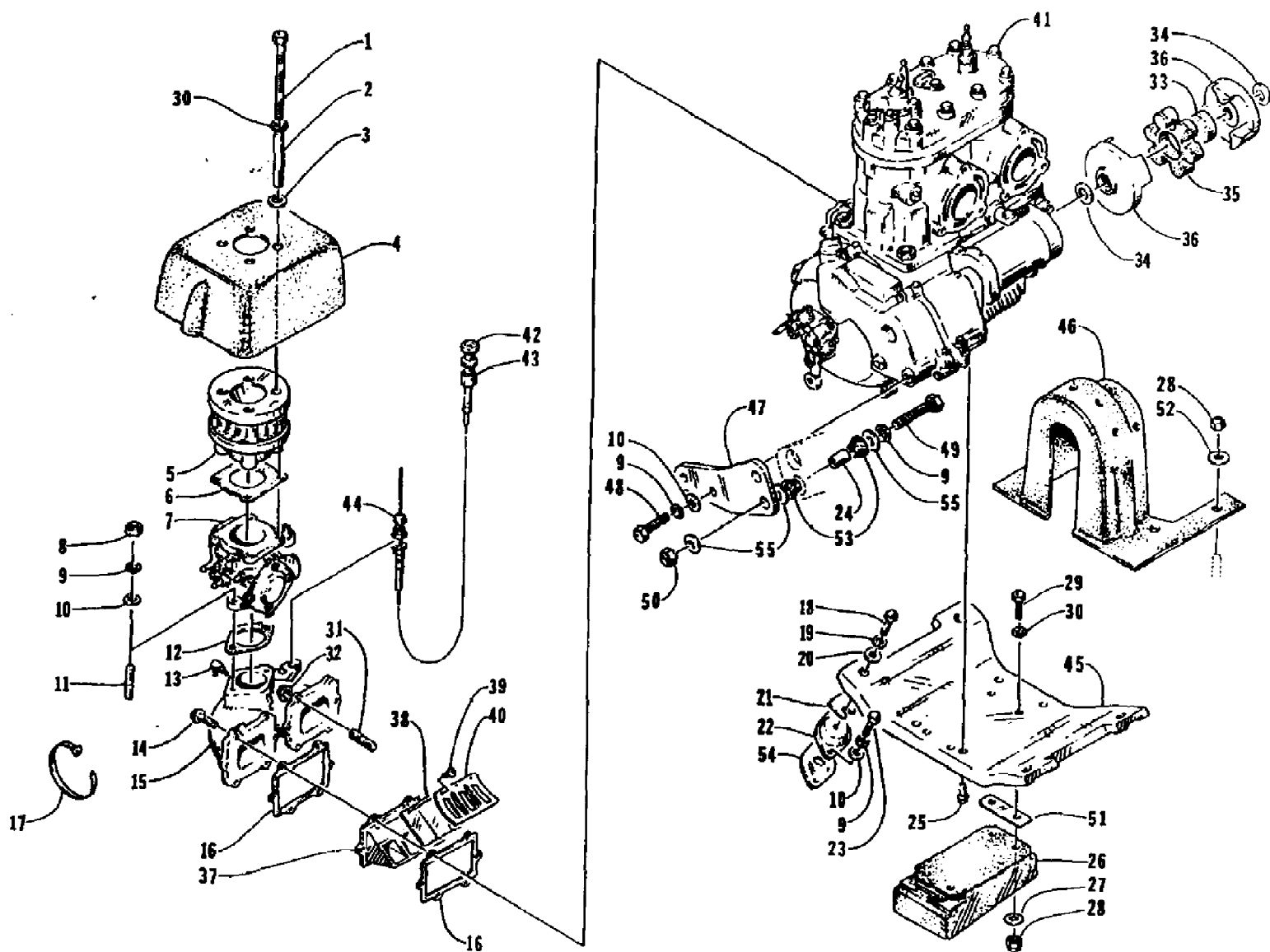
1994 MONTE CARLO (0672-008-1994)
ELECTRICAL MODULE AND BATTERY



1994 MONTE CARLO (0672-008-1994)
ELECTRICAL MODULE AND BATTERY

Page 12 of 50

Ref #	Part Number	Qty	S/P/F	Description
1	3008-120	1		Regulator Ass'y (inc. 2)
2	3008-112	1		. Grommet
3	3008-008	7		Screw, Cap
4	3008-196	1		Unit, CDI
5	3004-341	2	S/P	Screw, Cap
6	3008-122	1		Case
7	3008-123	1		Cover
8	0	1	F	Gasket
9	0673-308	1		Pad, Battery
10	3008-007	1		Screw, Cap
11	3008-124	3		Holder
12	3008-125	1		Holder
13	3008-247	6	S	Screw, Cap
14	3008-169	1		Screw, Cap
15	3008-139	1		Holder
16	3008-034	1		Grommet
17	3008-116	1	S	Grommet
18	3008-217	2		Screw, Machine
19	3008-180	1		Case, Fuse
19	0630-024	1		Fuse, 15 Amp.
20	3008-133	1	S	Heat Sensor Ass'y (inc. 21-22)
21	3008-113	1		. Grommet
22	3008-134	1		. Retainer, Sensor - Heat
23	3003-787	2		Tie, Cable
24	3008-219	2		Screw, Machine
25	3008-040	1		Clamp
26	3008-219	1		Screw, Cap
27	0624-052	4		Screw, Cap
28	0624-036	4		Washer, Lock
29	0624-083	5		Nut, Well
30	0630-023	1		Fuse, 3 Amp.
31	0624-056	1		Screw, Cap
32	0624-022	1		Washer
33	0630-059	1		Module, Bilge Pump
34	0673-454	1		Cover, Battery
35	0645-045	4		Cap, Battery
36	0645-157	1		Battery (inc. 35, 38, 39)
37	0673-393	2		Tiedown
38	0645-152	1		Clamp, Hose - Battery
39	0645-179	1	S	Hose, Battery Vent
40	0123-811	2		Tie, Cable
41	0670-295	1		Valve, Check



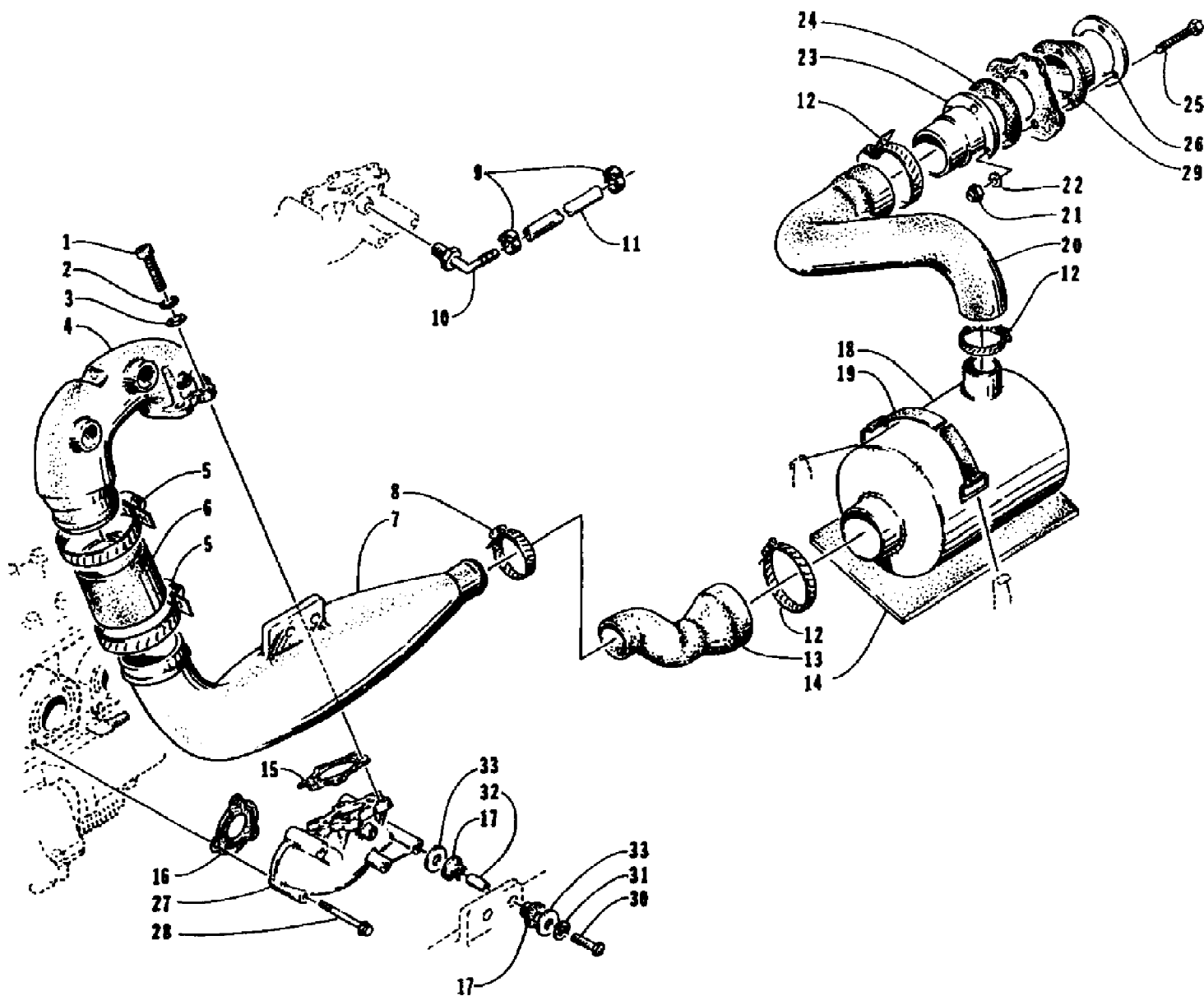
1994 MONTE CARLO (0672-008-1994)
ENGINE AND RELATED PARTS

Page 14 of 50

Ref #	Part Number	Qty	S/P/F	Description
1	0624-211	4		Screw, Cap
2	0673-510	4		Spacer
3	0624-182	4		Washer
4	0673-411	1		Cover, Spark Arrestor
5	0673-388	1	/P	Arrestor, Spark
6	0673-389	1		Gasket, Spark Arrestor
7	0670-369	1		Carburetor
8	0624-061	2		Nut, Jam
9	0624-027	14		Washer, Lock
10	0624-028	12		Washer
11	0624-051	2		Bolt, Stud
12	0673-267	1		Gasket, Intake
13	3008-087	1	S	Valve, Check
14	3008-213	8	/P	Screw, Cap
15	0673-209	1	S	Manifold, Intake
16	3008-076	4	S	Gasket, Reed Valve
17	0123-811	0		Tie, Cable
18	3008-240	4		Screw, Cap
19	3008-021	4		Washer, Lock
20	3008-016	4		Washer
21	0624-015	0	/P	Shim - 1.5MM
21	0624-014	0	/P	Shim - 0.5MM
22	3008-054	4		Mount, Motor
23	0624-026	8		Screw, Cap
24	0612-465	2		Sleeve, Mounting
25	3008-203	4	/P	Screw, Cap
26	0608-437	1		Mount, Snubber
27	0624-182	4		Washer
28	0624-021	8		Nut, Lock
29	3008-052	4	S	Screw, Cap
30	0624-036	8		Washer, Lock
31	3008-187	4	S	Bolt, Stud
32	3008-214	4		Nut
33	0673-146	1		Insert, Damper - Coupler
34	3008-018	2		Washer
35	3008-091	1	S	Dampener, Coupler
36	3000-090	2		Coupler, Engine
37	3008-073	2	S	Reed Valve Ass'y (inc. 38-40)
38	3008-075	4		. Valve, Reed
39	3004-506	12	/P	. Screw, Cap
40	3008-074	4		. Stopper, Reed Valve
41	0662-142	1	S	Engine
42	0687-064	1	S	Cable, Choke
43	0687-051	1	/P	Nut
44	0687-052	2	/P	Cover, Boot
45	0608-113	1	S	Plate, Engine Mount
46	0673-469	1	S	Guard, Coupler
47	0673-456	1		Support, Exhaust Pipe
48	0624-026	2		Screw, Cap
49	0624-207	2		Screw, Cap
50	0624-009	2		Nut, Lock
51	0673-520	0		Shim, Engine Snubber - 18 Gauge
51	0673-521	0		Shim, Engine Snubber - 12 Gauge

1994 MONTE CARLO (0672-008-1994)
 ENGINE AND RELATED PARTS

Ref #	Part Number	Qty	S/P/F	Description
52	0624-022	4		Washer
53	0612-466	4		Bushing, Isolator
54	0673-508	0	/P	Shim, Engine Mount - .125 in.
54	0673-509	0		Shim, Engine Mount - .063 in.
55	0624-008	6		Washer



1994 MONTE CARLO (0672-008-1994)
EXHAUST ASSEMBLY

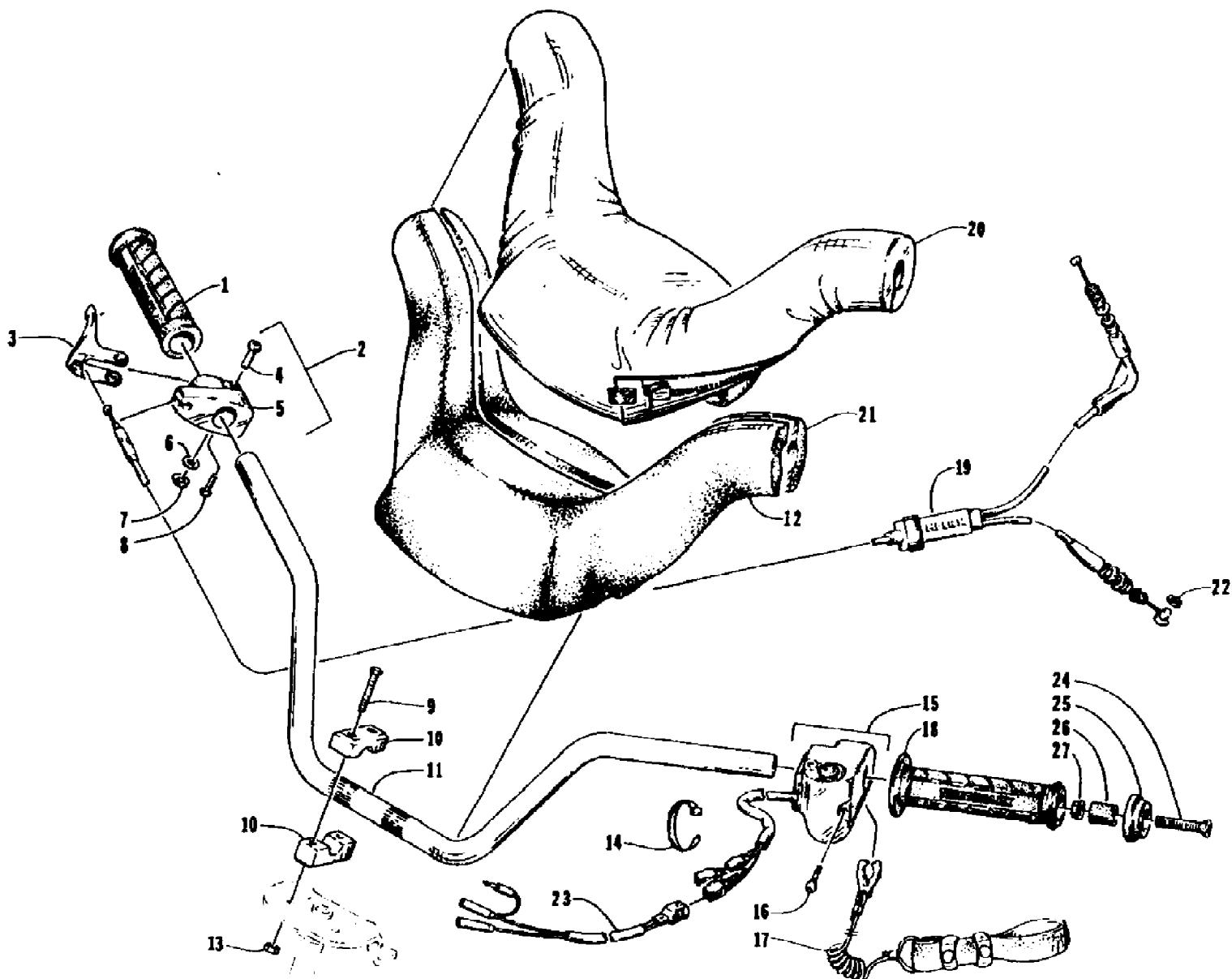
Page 17 of 50

Ref #	Part Number	Qty	S/P/F	Description
1	0624-157	5		Screw, Cap
2	0624-027	5		Washer, Lock
3	0624-028	5		Washer
4	0612-464	1		Pipe, Exhaust
5	0624-236	2		Clamp
6	0610-180	1		Hose, Exhaust - Coupler
7	0612-464	1		Chamber, Expansion
8	0624-038	1		Clamp, Hose
9	0623-502	2		Clamp
10	0115-607	1	S	Fitting, Elbow
11	0210-018	1		Hose, By-Pass
12	0624-018	3		Clamp, Hose
13	0610-146	1	/P	Hose, Exhaust - In
14	0673-309	1		Pad, Muffler
15	3008-081	1	S	Gasket, Exhaust
16	3008-080	2	S	Gasket, Exhaust
17	0612-466	4		Bushing
18	0712-128	1		Muffler
19	0673-392	2		Tiedown, Rubber
20	0610-145	1		Hose, Exhaust - Out
21	0624-005	5	/P	Nut, Lock
22	0624-004	5		Washer
23	0673-135	1	/P	Fitting, Outlet - Exhaust
24	0612-391	1		Seal, Outlet Fitting
25	0624-102	5		Screw, Cap
26	0673-451	1		Ring, Stud - Deflector
27	3008-195	1		Manifold, Exhaust
28	3008-151	6	S	Screw, Cap
29	0673-436	1		Deflector, Exhaust
30	0624-238	2		Screw, Cap
31	3008-021	2		Washer, Lock
32	0612-465	2		Sleeve, Mounting
33	0624-008	4		Washer

1994 MONTE CARLO (0672-008-1994)
GAS TANK ASSEMBLY

Page 19 of 50

Ref #	Part Number	Qty	S/P/F	Description
1	0773-076	1		Gas Tank Ass'y (inc. 2-5)
2	0670-416	1		. Fitting, Elbow
3	0673-448	1		. Ring, Compression
4	0710-108	0		. Hose, Gasline
5	0510-358	1	/P	. Strainer, Gas Tank
6	0670-270	1		Neck, Filler
7	0670-271	1		Seal, Fillerneck
8	0624-120	15		Clamp, Hose
9	0610-107	0		Hose
10	0673-306	1		Pad, Gas Tank - Right
11	0670-286	1	S	Cap, Gas Gauge
12	0670-304	1		Ring, Mounting - Fillerneck
13	0624-031	6		Screw, Machine
14	0624-005	6	/P	Nut, Lock
15	0624-004	6		Washer
16	0624-037	2		Clamp, Hose
17	0610-096	0	S	Hose, Filler
18	0510-335	2	/P	Filter, Fuel
19	0673-390	2	/P	Tiedown
20	0115-607	2	S	Fitting, Elbow
21	0109-332	1		T-Connection
22	0123-788	2	/P	Tie, Cable
23	0610-059	2		Valve, Check
24	0624-492	1		Grommet
25	0673-307	1	/P	Pad, Gas Tank - Left

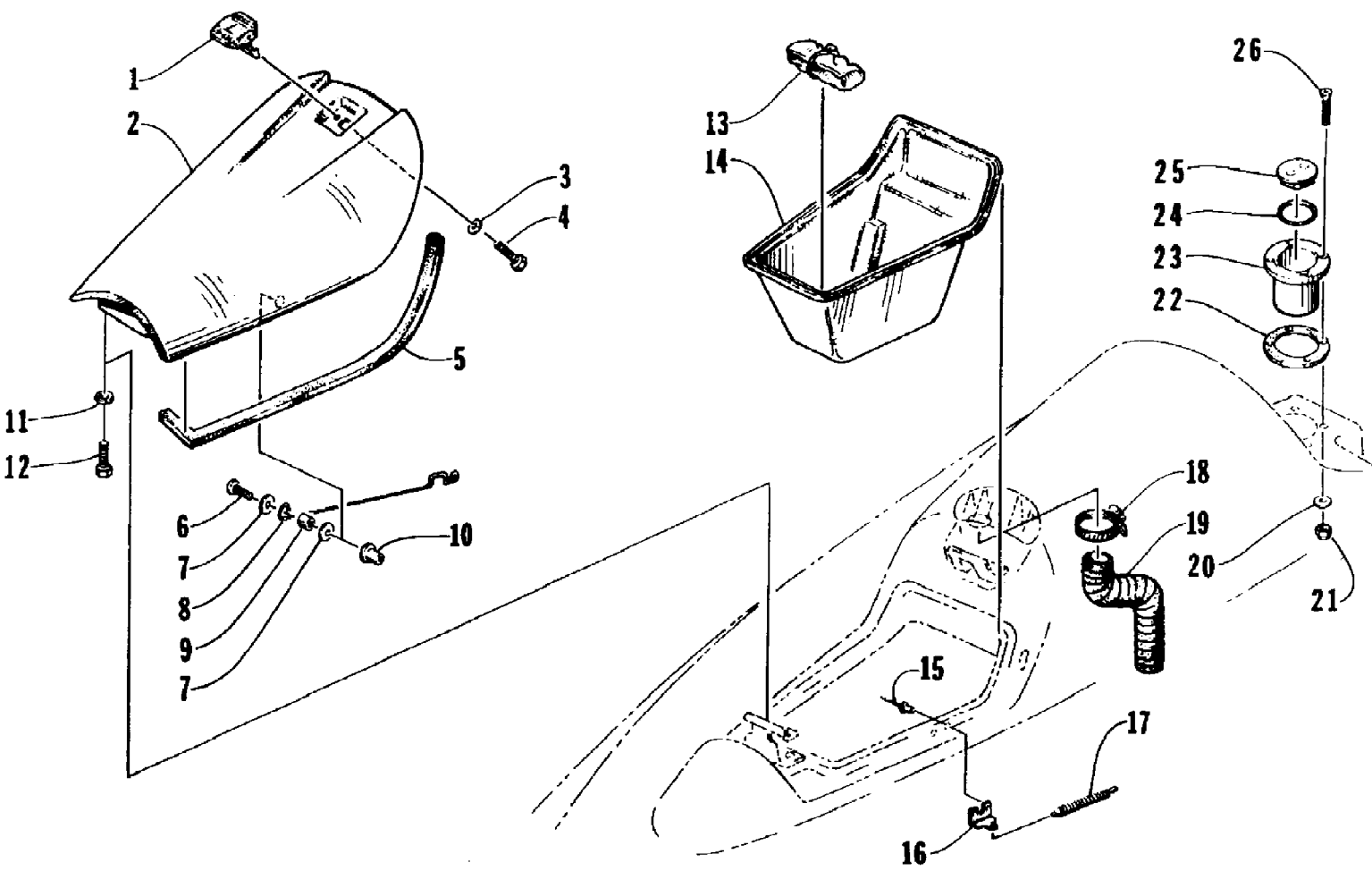


1994 MONTE CARLO (0672-008-1994)
HANDLEBAR ASSEMBLY

Page 21 of 50

Ref #	Part Number	Qty	S/P/F	Description
1	0673-418	1	S	Grip, Handlebar - Right
2	0773-018	1		Throttle, Ass'y (inc. 3-8)
3	0605-234	1		. Lever, Throttle
4	0605-236	1		. Pin, Throttle Lever
5	0605-235	1		. Housing, Throttle
6	0624-099	1		. Washer
7	0624-113	1		. C-Clip
8	0624-091	1		. Screw, Machine
9	0624-056	4		Screw, Cap
10	0673-282	4		Cap, Steering Adjuster
11	0673-317	1	S	Handlebar
12	0605-244	1		Pad, Handlebar - Front
13	0624-021	4		Nut, Lock
14	0123-788	1	/P	Tie, Cable
15	0609-202	1		Tether, Switch Ass'y (inc. 16-17)
16	0624-148	3		. Screw, Machine
17	0609-176	1	S	. Cord, Tether
18	0605-419	1		Pad, Handlebar - Rear
19	0687-054	1		Cable, Throttle
20	0773-181	1	/P	Cover, Handlebar Pad
21	0605-253	1		Pad, Handlebar - Rear
22	0624-104	1		C-Clip
23	0686-246	1		Harness, Bilge
24	0624-232	2		Screw, Machine
25	0673-477	2		Cap, End - Grip
26	0673-478	2	S	Plug, Compression - Grip
27	0624-233	2		Nut

1994 MONTE CARLO (0672-008-1994)
HATCH COVER AND STORAGE TRAY

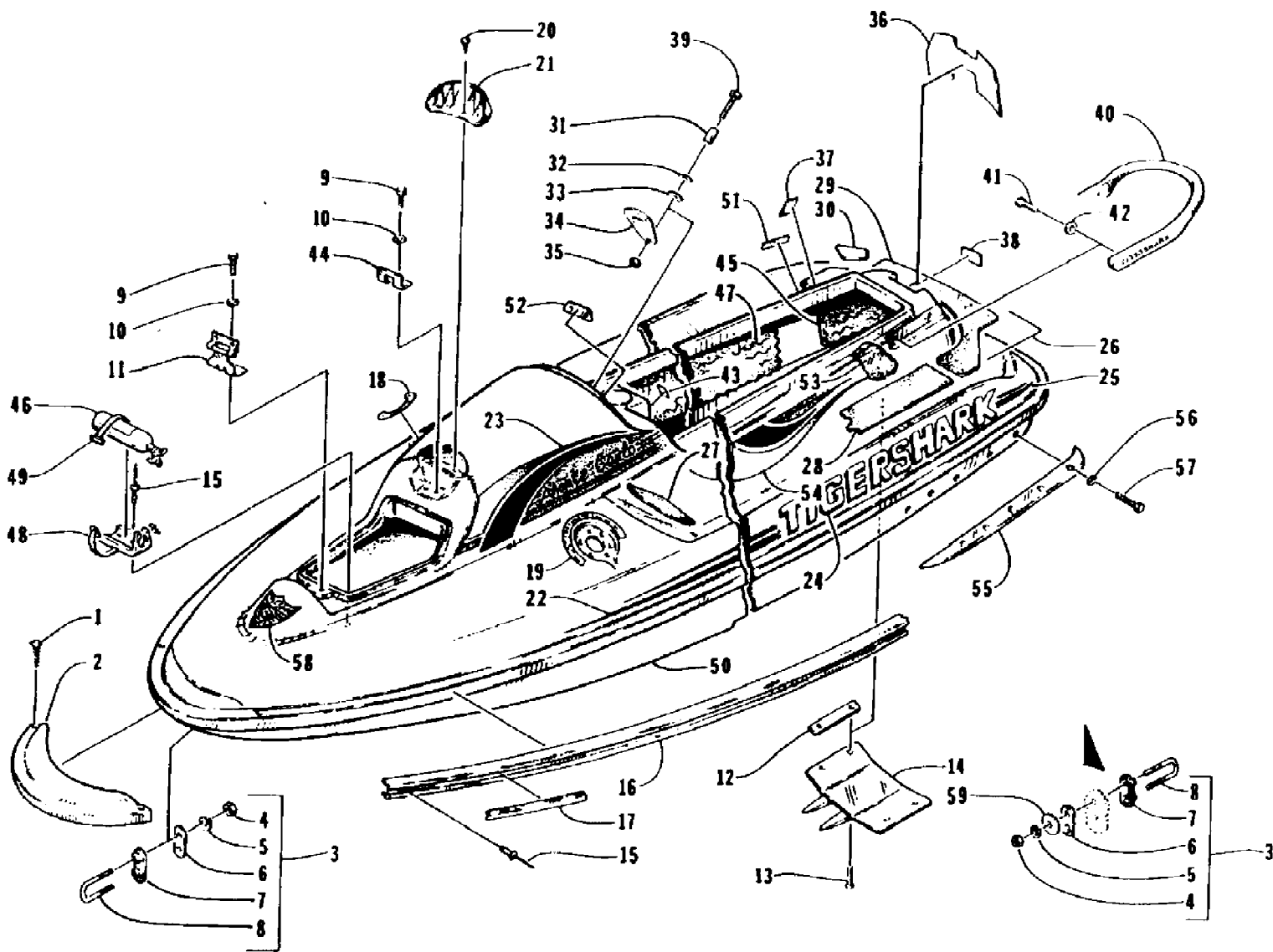


1994 MONTE CARLO (0672-008-1994)
HATCH COVER AND STORAGE TRAY

Page 23 of 50

Ref #	Part Number	Qty	S/P/F	Description
1	0673-177	1		Latch, Hatch Cover
2	0673-452	1		Cover, Hatch
3	0624-004	2		Washer
4	0624-092	2		Screw, Cap
5	0673-241	1		Seal, Storage Tray
6	0624-053	1	/P	Screw, Machine
7	0624-182	2		Washer, Lock
8	0673-396	1	S	Rod, Hood Prop
9	0673-399	1		Spacer, Spring Rod
10	0624-082	1		Nut, Well
11	0624-036	2		Washer, Lock
12	0624-046	2		Screw, Cap
13	0678-105	1		Kit, Tool
14	0673-250	1		Tray, Storage
15	0624-069	2		Rivet
16	0673-397	1		Bracket, Spring Rod
17	0673-400	1		Spring, Hood Prop
18	0624-207	1		Clamp
19	0610-169	1		Hose, Air Intake
20	0624-004	4		Washer
21	0624-005	4	/P	Nut, Lock
22	0673-555	1		Seal, Storage Tube
23	0623-541	1		Tube, Storage
24	0673-554	1		O - Ring, Storage
25	0673-553	1		Cover, Storage, Storage Tube
26	0624-031	4		Screw, Machine

1994 MONTE CARLO (0672-008-1994)
HULL AND DECK ASSEMBLY



1994 MONTE CARLO (0672-008-1994)
HULL AND DECK ASSEMBLY

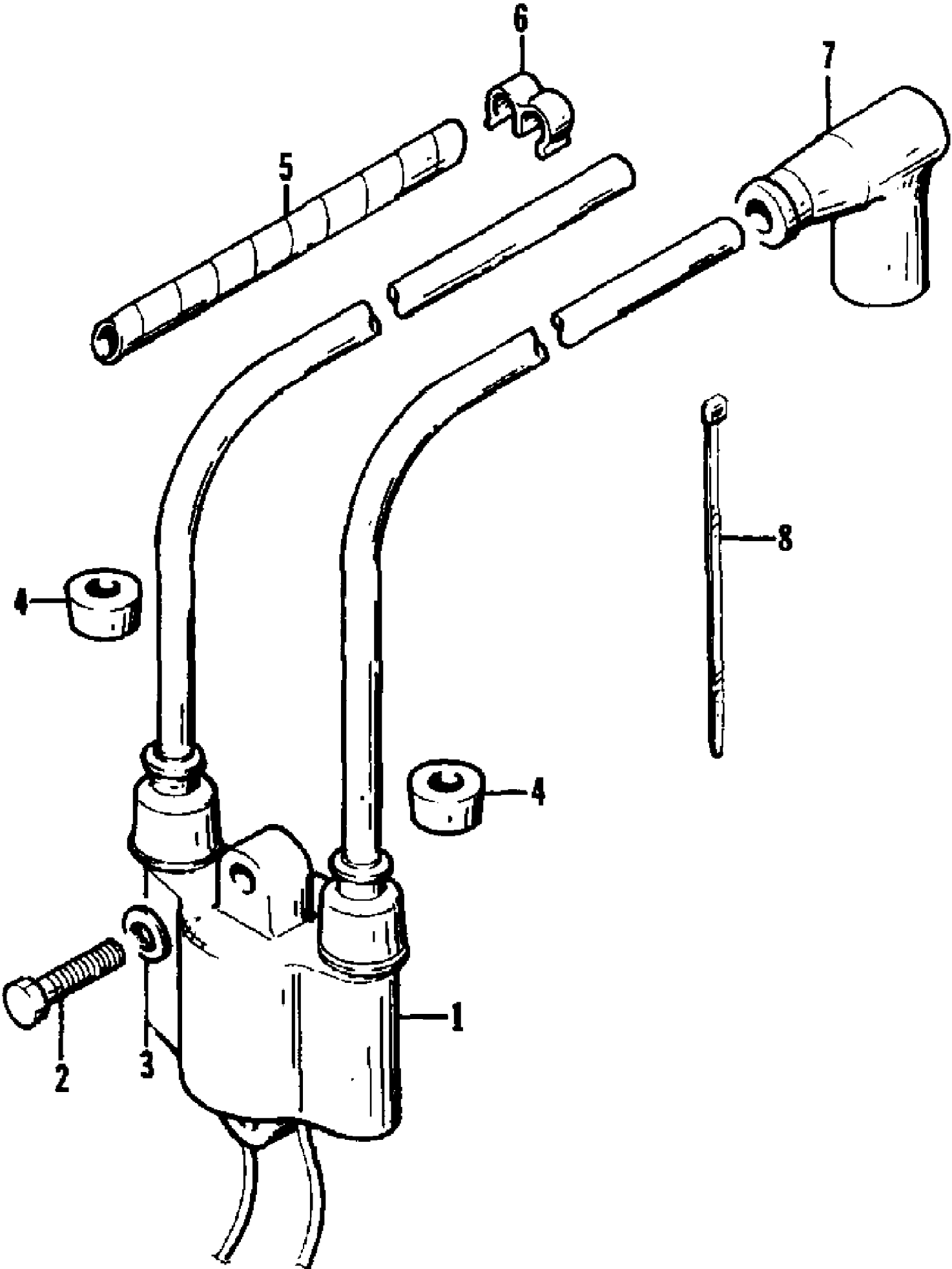
Page 25 of 50

Ref #	Part Number	Qty	S/P/F	Description
1	0623-453	2		Clip, Retaining
2	0673-251	1	S	Nose, Cone
3	0624-002	2		Eyehook Ass'y - 1 1/2" (inc. 4-8)
4	0624-149	4		. Nut, Hex
5	0624-027	4		. Washer, Lock
6	0624-150	2		. Plate, Support - Eyehook
7	0624-165	2		. Gasket, Rubber - Eyehook
8	0624-151	2		. Eyehook
9	0624-092	4		Screw, Cap
10	0624-200	4		Washer, Lock
11	0673-407	1	S	Hinge, Hatch Ass'y
12	0673-006	2		Plate, Nut
13	0624-184	6		Screw, Machine
14	0673-325	1		Plate, Ride
15	0624-030	52		Rivet
16	0673-322	1		Trim, Edge - Side
17	0673-321	1	/P	Insert, Edge Trim
18	1611-605	1		Decal, Oil Filler
19	1611-604	1		Decal, Warning Fuel
20	0623-269	2		Clip, Retaining
21	0673-245	1		Grate, Air Intake
22	0614-026	1		Decal, Deck Front - Right
22	0614-027	1		Decal, Deck Front - Left
23	0614-024	1		Decal, Hood - Right
23	0614-025	1		Decal, Hood - Left
24	0614-021	2		Decal, Deck - "Tigershark"
25	0614-028	1		Decal, Deck Rear - Right
25	0614-029	1		Decal, Deck Rear - Left
26	0773-123	1		Pad, Foot - Deck Ass'y (inc. 27-30)
27	0673-430	1		. Pad, Foot - Right
27	0673-431	1		. Pad, Foot - Left
28	0673-330	1		. Pad, Foot - Right
28	0673-331	1		. Pad, Foot - Left
29	0673-329	1		. Pad, Foot - Rear
30	0673-432	1		. Pad, Foot - Rear Right
30	0673-433	1		. Pad, Foot - Rear Left
31	0673-485	1		Stop, Steering
32	0624-008	1		Washer
33	0623-391	1		Washer, Rubber
34	0673-417	1		Plate, Backing
35	0624-009	1		Nut, Lock
36	0614-053	1		Decal, Regulation
37	0614-067	1		Decal, USCG Exemption
38	0614-070	1		Decal, Caution - Hull
39	0624-223	1		Screw, Cap
40	0773-225	1	S	Grab Handle Ass'y (inc. 41, 42)
40	0673-239	1		. Handle, Grab
41	0624-226	4		. Screw, Cap
42	0624-228	4		. Washer
43	1611-866	1		Decal, Warning - Gas Vapors
44	0673-297	1		Catch, Latch
45	0617-186	1		Foam, Deck - Rear
46	0673-093	1		Foam, Deck - Fire

1994 MONTE CARLO (0672-008-1994)
HULL AND DECK ASSEMBLY

Page 26 of 50

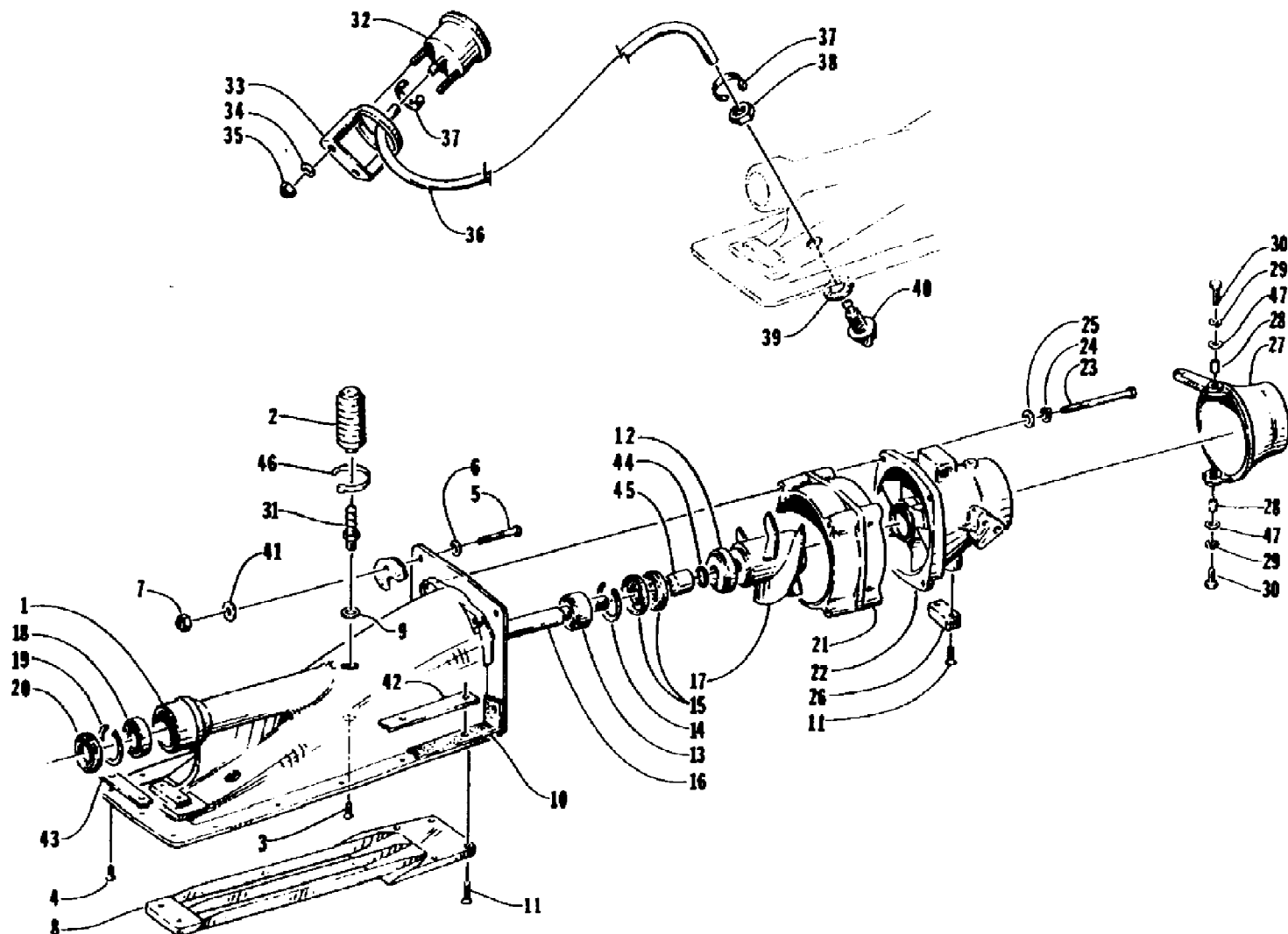
Ref #	Part Number	Qty	S/P/F	Description
47	0617-184	1		Foam, Deck - Right
48	0673-299	1	S	Bracket, Extinguisher
49	0673-128	1	/P	Tiedown, Rubber
50	0773-200	1		Hull/Deck Ass'y
51	0614-059	1		Decal, Common Sense
52	0614-069	1	S	Decal, Choke
53	0617-085	1		Foam, Deck - Left
54	0614-054	1		Decal, Deck - Right
54	0614-055	1		Decal, Deck - Left
55	0673-292	1	S	Sponson - Right
55	0673-293	1	S	Sponson - Left
56	0624-188	1		Washer
57	0624-187	1		Screw, Cap
58	0614-056	1		Decal, Deck - Crest
59	0624-013	2		Washer
63	0614-072	1		Decal



1994 MONTE CARLO (0672-008-1994)
IGNITION COIL

Page 28 of 50

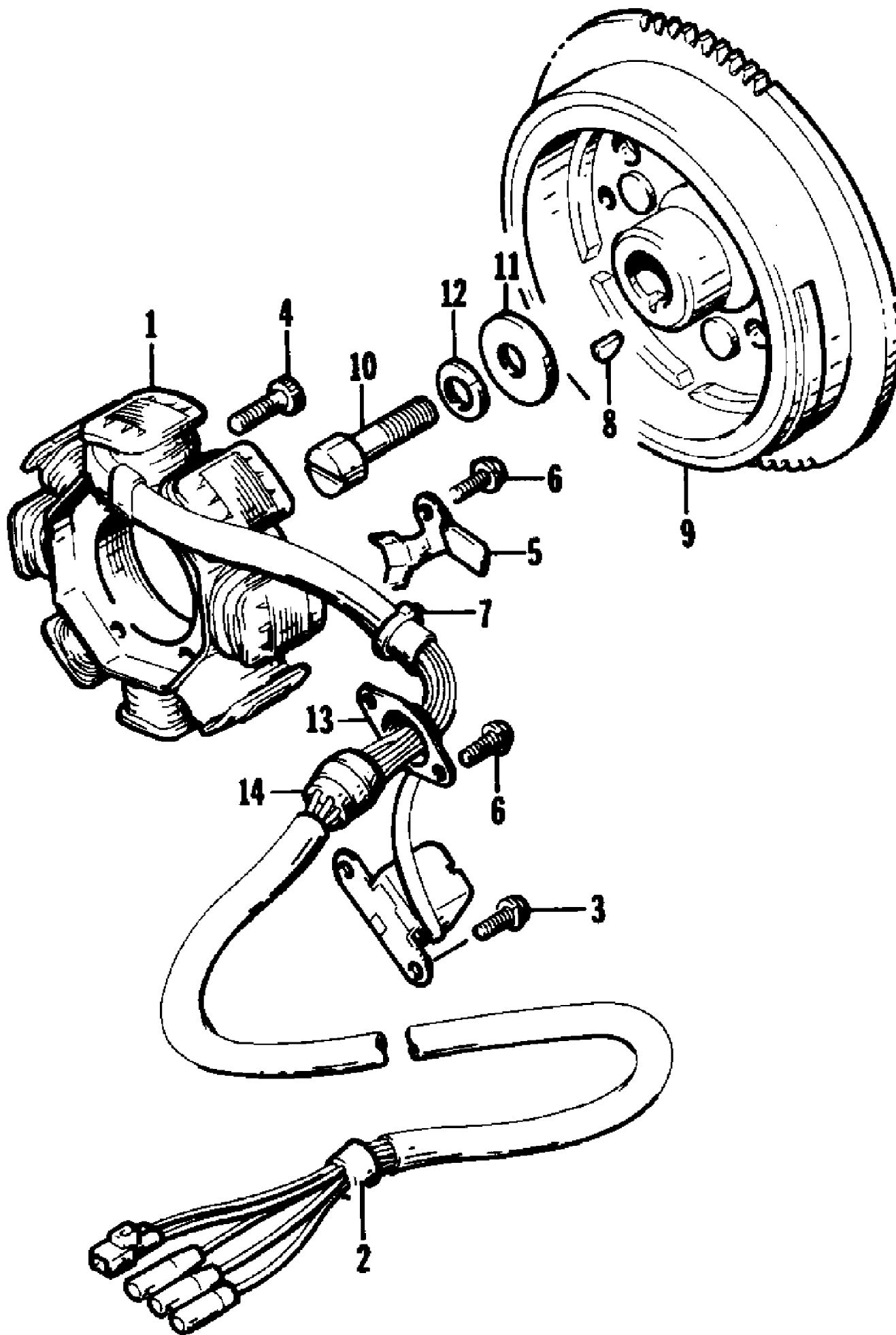
Ref #	Part Number	Qty	S/P/F	Description
1	3008-170	1	S	Coil Ass'y, Ignition
2	3008-220	2		Screw, Cap
3	3003-023	2	/P	Washer
4	3008-114	2		Grommet
5	3008-129	2	/P	Protector, Lead Wire
6	3008-045	1		Clip
7	3003-737	2	S	Cap Ass'y, Spark Plug
8	3003-787	2		Tie, Cable



1994 MONTE CARLO (0672-008-1994)
IMPELLER DRIVE ASSEMBLY

Page 30 of 50

Ref #	Part Number	Qty	S/P/F	Description
1	0673-369	1		Inlet, Pump
2	3008-100	1		Bladder, Case
3	0624-091	1		Screw, Machine
4	0624-186	13		Screw, Machine
5	0624-007	4		Screw, Cap
6	0624-008	4		Washer
7	0624-009	4		Nut, Lock
8	0673-367	1	S	Grate, Inlet
9	0624-106	1		Washer
10	0612-370	1		Seal, Pump Inlet
11	0624-183	8		Screw, Machine
12	0673-364	1		Spacer, Impeller - Driveshaft
13	0673-032	1	/P	Bearing - Rear
14	0624-044	1		Ring, Snap - Rear
15	0673-033	2		Seal, Rear
16	0673-152	1	S	Driveshaft
17	0773-218	1		Impeller (Inc. 44, 45)
18	0673-030	1		Bearing
19	0624-043	1		Ring, Snap
20	0673-031	1		Seal
21	0673-126	1	/P	Ring, Wear
22	0673-219	1		Venturi, Stator
23	0624-045	4		Screw, Cap
24	0624-027	4		Washer, Lock
25	0624-028	4		Washer
26	0624-084	1		Anode, Zinc
27	0673-220	1	S	Nozzle, Steering
28	0673-083	2		Bushing, Steering Nozzle
29	0624-036	2		Washer, Lock
30	0624-046	2		Screw, Cap
31	0670-339	1		Fitting
32	0620-124	1		Speedometer
33	0620-126	1		Bracket, Speedometer
34	0624-242	2		Washer
35	0624-241	2		Nut, Lock
36	0710-029	0	S	Hose
37	0123-811	2		Tie, Cable
38	0673-348	1		Nut, Jam
39	0673-349	1		Seal, Tube Pilot
40	0673-362	1	S	Tube, Pilot
41	0624-159	4		Washer
42	0673-008	1		Plate, Nut
43	0673-009	1		Plate, Nut
44	0673-258	1		O - Ring, Impeller
45	0673-256	1		Spacer, Impeller
46	0123-811	1		Tie, Cable
47	0624-022	2		Washer

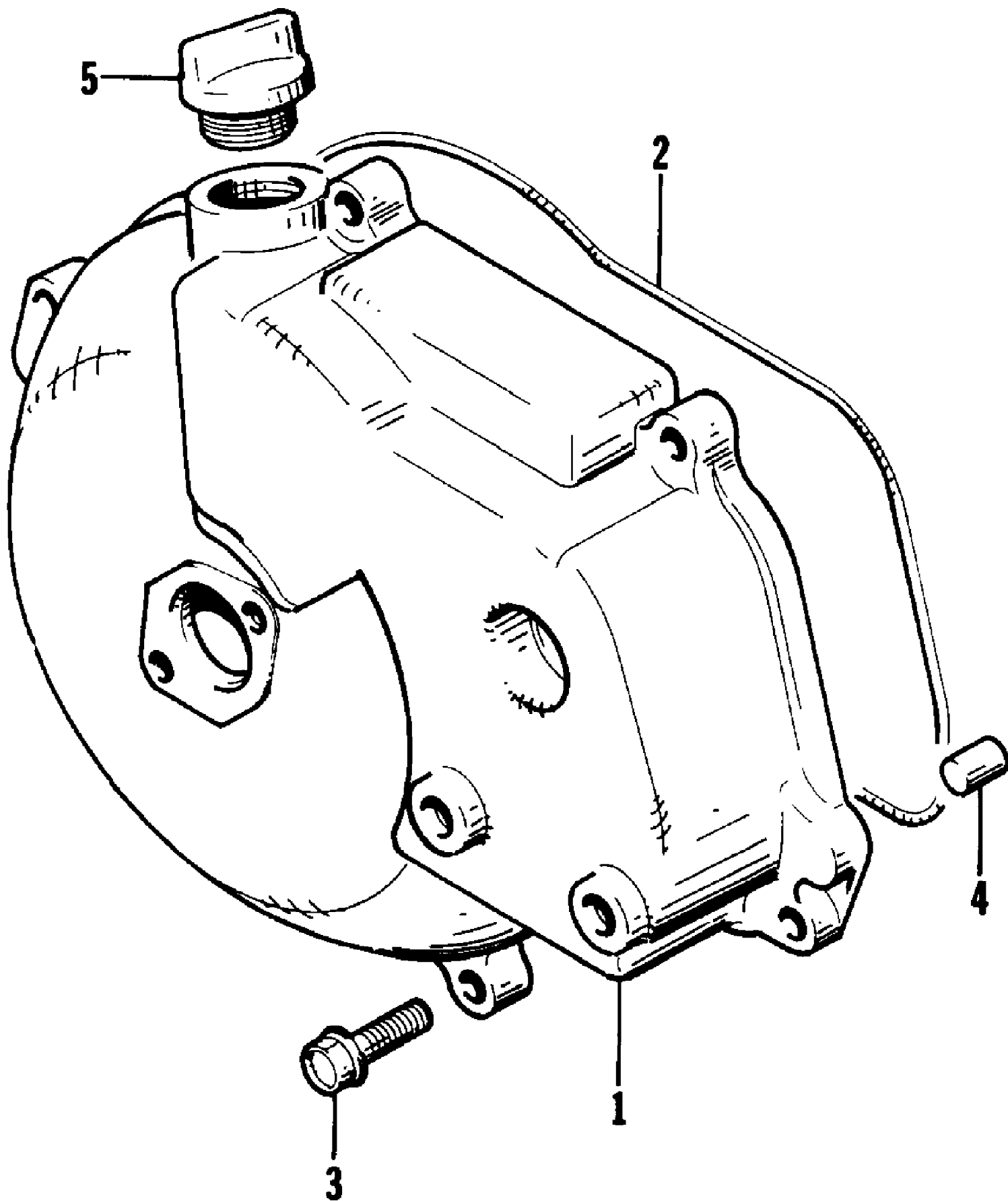


1994 MONTE CARLO (0672-008-1994)
MAGNETO

Page 32 of 50

Ref #	Part Number	Qty	S/P/F	Description
1	3008-244	1	/P	Stator
2	3008-111	1		Grommet
3	3004-139	2		Screw, Cap
4	3004-484	3	S	Screw, Cap
5	3008-109	1		Holder
6	3004-139	3		Screw, Cap
7	3003-787	1		Clamp
8	3002-018	1	S	Key
9	3008-108	1	S	Flywheel
10	3008-119	1	S	Screw, Cap
11	3008-017	1		Washer
12	3004-362	1	S/P	Washer, Lock
13	3008-110	1		Holder, Grommet
14	3008-118	1		Grommet

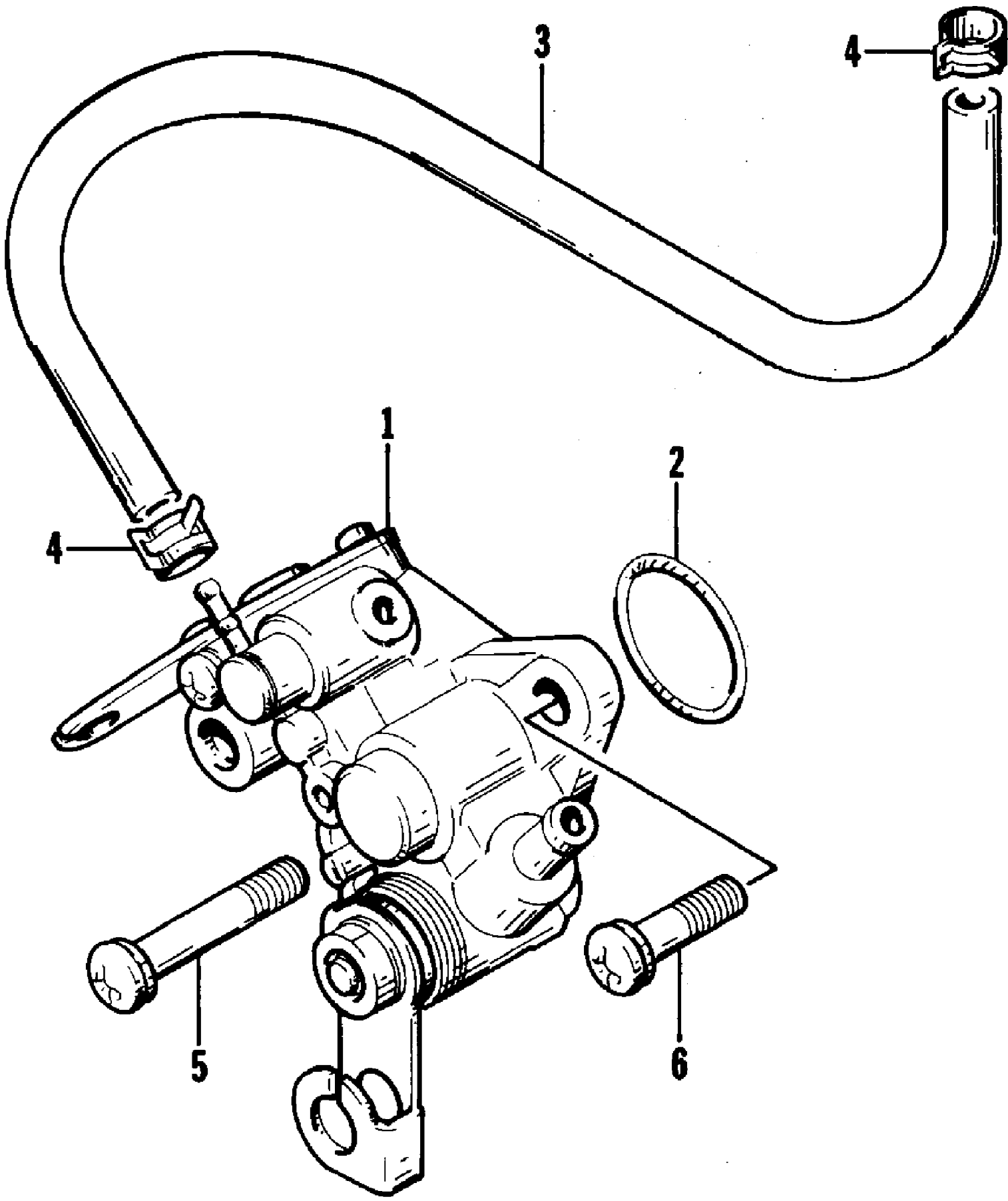
1994 MONTE CARLO (0672-008-1994)
MAGNETO CASE



1994 MONTE CARLO (0672-008-1994)
MAGNETO CASE

Ref #	Part Number	Qty	S/P/F	Description
1	3008-238	1	/P	Case, Magneto
2	3008-053	1		O-Ring
3	3008-213	6	/P	Screw, Cap
4	3008-146	2		Pin
5	3008-023	1		Plug

1994 MONTE CARLO (0672-008-1994)
OIL PUMP



1994 MONTE CARLO (0672-008-1994)
OIL PUMP

Page 36 of 50

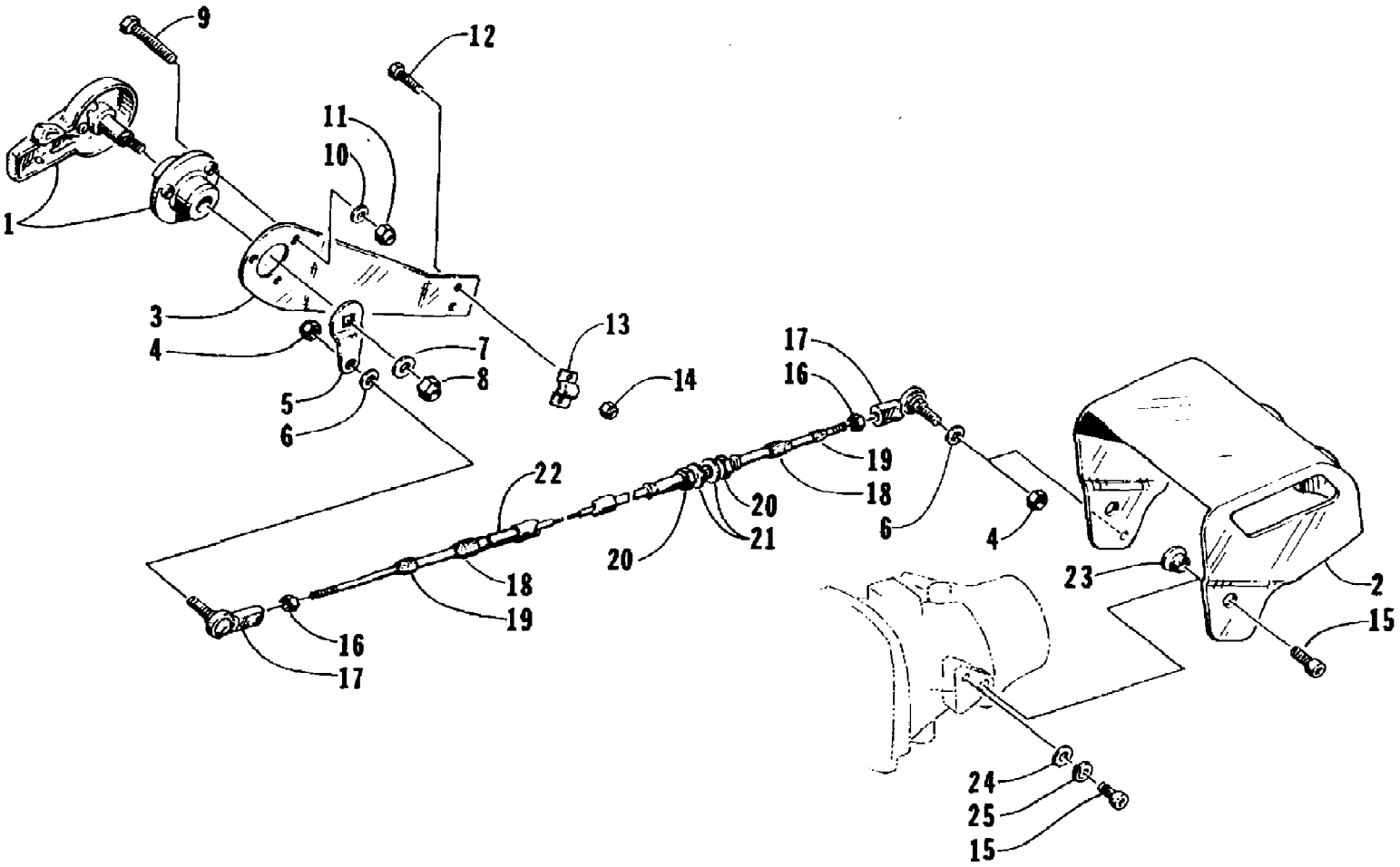
Ref #	Part Number	Qty	S/P/F	Description
1	3008-241	1	S	Oil Pump Ass'y
2	3008-030	1		O-Ring
3	3008-035	1	/P	Hose
4	3008-037	2	/P	Clamp
5	3008-242	1		Screw, Cap
6	3008-243	1		Screw, Cap

1994 MONTE CARLO (0672-008-1994)
OIL TANK ASSEMBLY

Page 38 of 50

Ref #	Part Number	Qty	S/P/F	Description
1	0670-287	1	/P	Cap, Oil Gauge
2	0670-304	1		Ring, Mounting Filler Neck
3	0670-270	1		Neck, Filler
4	0670-271	1		Seal, Fillerneck
5	0624-037	2		Clamp, Hose
6	0610-096	0	S	Hose, Filler
7	0624-220	6		Screw, Machine
8	0624-004	6		Washer
9	0624-005	6	/P	Nut, Lock
10	0624-120	5		Hose, Clamp
11	0610-107	0		Hose
12	0510-335	2	/P	Filter, Fuel
13	0623-063	1		Clamp, Hose
14	0670-042	2	/P	Outlet, Tank
15	0670-422	1		Tank, Oil
16	0623-502	3		Clamp
17	0673-390	2	/P	Tiedown
18	0610-059	1		Valve, Check
19	0710-022	0	S	Hose, Oilline

1994 MONTE CARLO (0672-008-1994)
REVERSE BUCKET AND LEVER ASSEMBLY

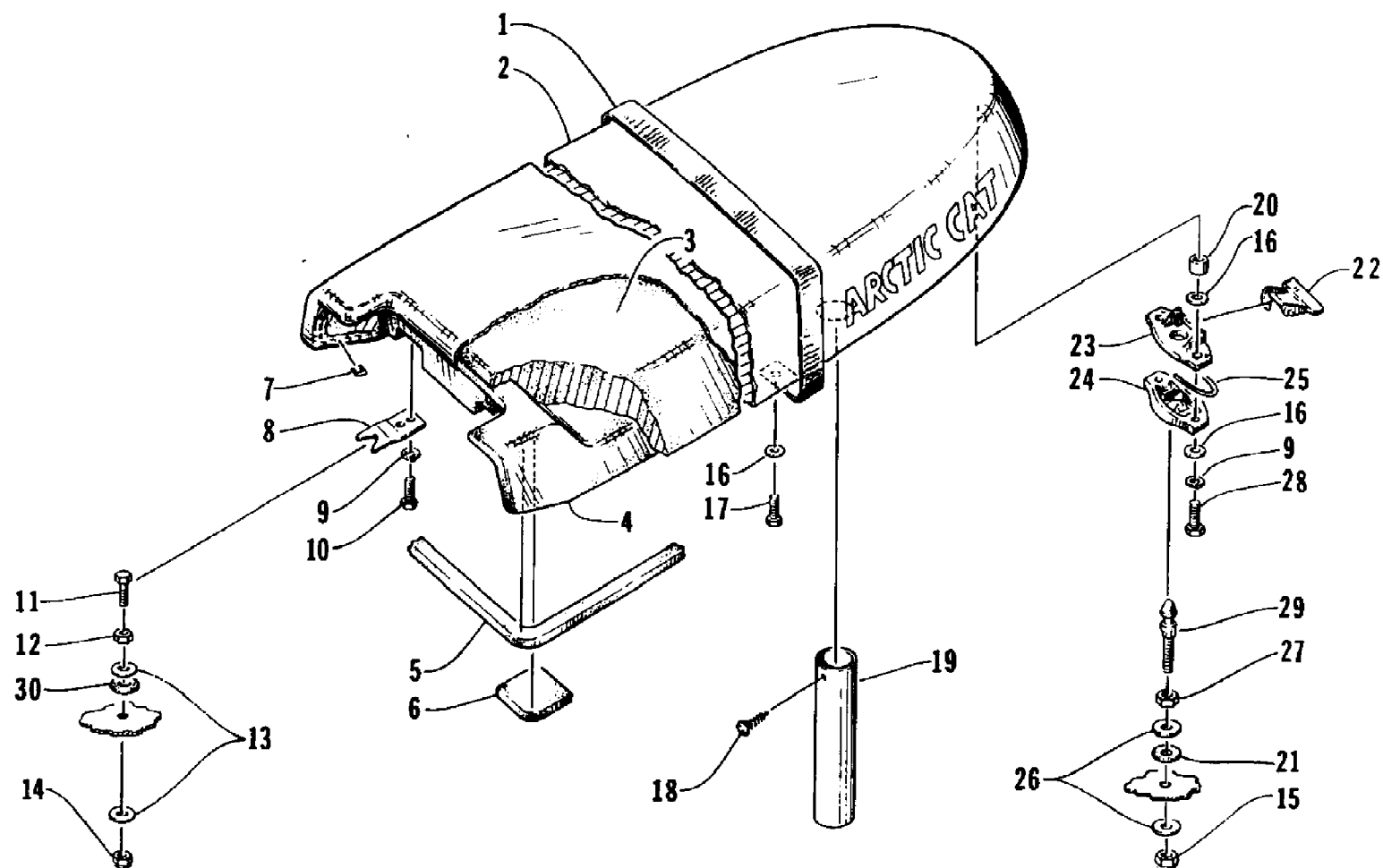


1994 MONTE CARLO (0672-008-1994)
 REVERSE BUCKET AND LEVER ASSEMBLY

Page 40 of 50

Ref #	Part Number	Qty	S/P/F	Description
1	0673-503	1		Lever, Release
2	0773-106	1		Deflector, Reverse
3	0673-530	1		Mount, Reverse
4	0624-114	2		Nut, Lock
5	0673-531	1		Arm, Reverse Lever
6	0624-115	2		Washer
7	0624-008	1		Washer
8	0624-243	1	S	Nut, Lock
9	0624-053	3	/P	Screw, Cap
10	0624-022	3		Washer
11	0624-021	3		Nut, Lock
12	0624-155	2		Screw, Cap
13	0673-556	1		Clamp, Reverse Cable
14	0624-005	2	/P	Nut, Lock
15	0624-175	4		Screw, Cap
16	0624-107	2		Nut
17	0673-028	2		End, Steering Cable
18	0612-363	2		Seal, Rod
19	0612-364	2		Seal, Steering Cable
20	0624-105	2		Nut
21	0624-106	2		Washer
22	0673-223	1		Cable, Reverse
23	0673-291	2		Bushing, Trim Ring
24	0624-028	2		Washer
25	0624-027	2		Washer, Lock

1994 MONTE CARLO (0672-008-1994)
SEAT ASSEMBLY

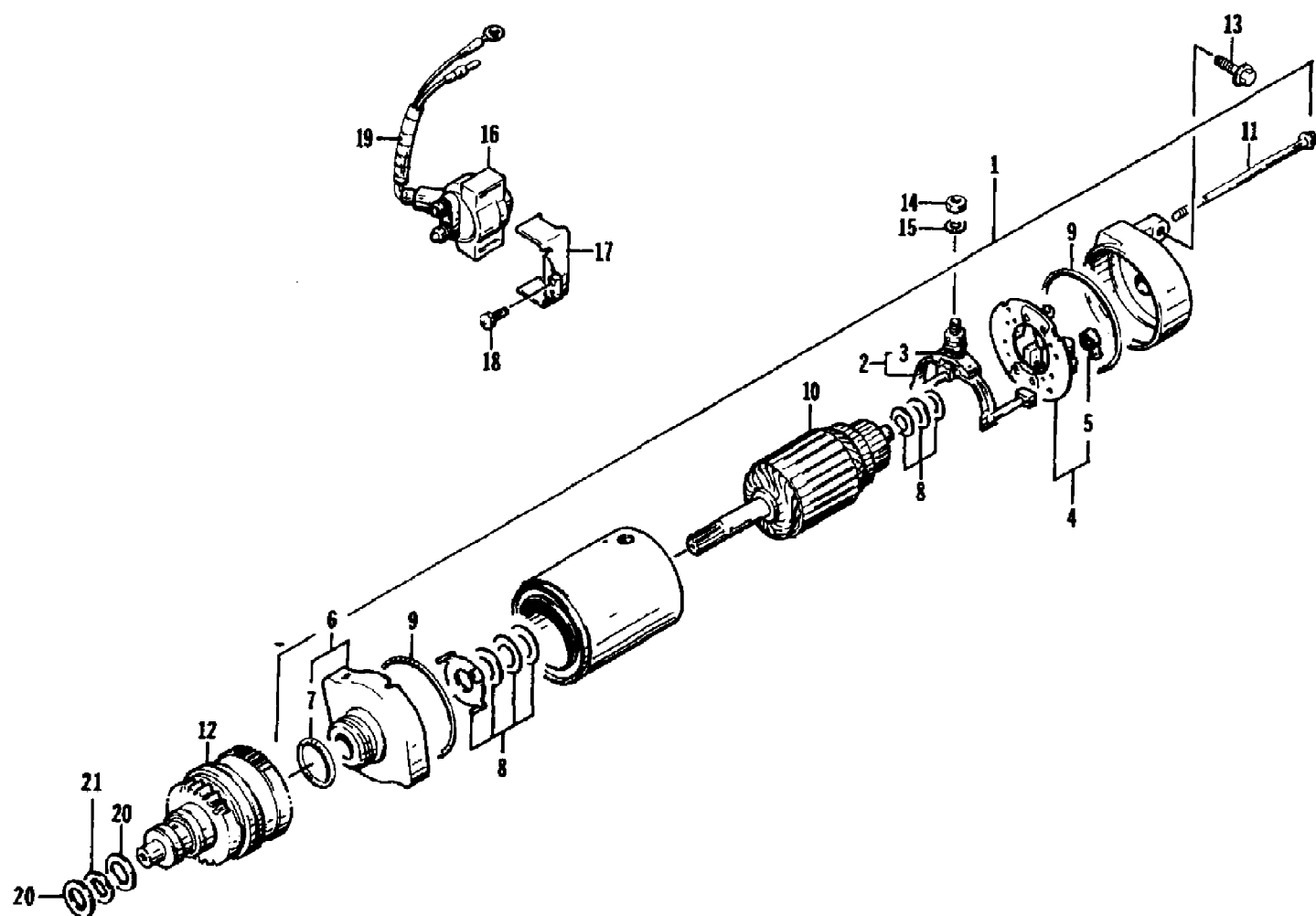


1994 MONTE CARLO (0672-008-1994)
SEAT ASSEMBLY

Page 42 of 50

Ref #	Part Number	Qty	S/P/F	Description
1	0673-110	2	S	Strap, Seat
2	0773-209	1		Cover, Seat w/Silkscreen
3	0773-236	1		Foam, Seat
4	0673-558	1	S	Base, Seat
5	0773-213	0	/P	Seal, Seat Base
6	0673-498	1		Support, Seat Base Seal - Right
6	0673-499	1		Support, Seat Base Seal - Left
7	0624-263	0	F	Staple
8	0673-412	2		Hook, Seat Base
9	0624-036	6		Washer, Lock
10	0624-046	4		Screw, Cap
11	0624-087	2		Screw, Cap
12	0624-061	2		Nut, Jam
13	0624-125	4	/P	Washer
14	0624-090	2		Nut, Lock
15	0624-009	1		Nut, Lock
16	0624-022	8		Washer
17	0624-128	4		Screw, Cap
18	0623-269	2		Clip, Retaining
19	0673-240	1	S	Air Tube, Exhaust
20	0673-083	2		Bushing
21	0623-391	1		Washer, Rubber
22	0673-026	1		Lever, Release - Seat Latch
23	0673-024	1	S	Cover, Latch - Seat
24	0673-025	1		Back, Latch - Seat
25	0673-023	1		Clip, Retaining
26	0624-013	2		Washer
27	0624-047	1		Nut, Jam
28	0624-052	2		Screw, Cap
29	0673-007	1		Stud, Latch - Seat
30	0624-126	1		Washer, Rubber

1994 MONTE CARLO (0672-008-1994)
STARTER MOTOR

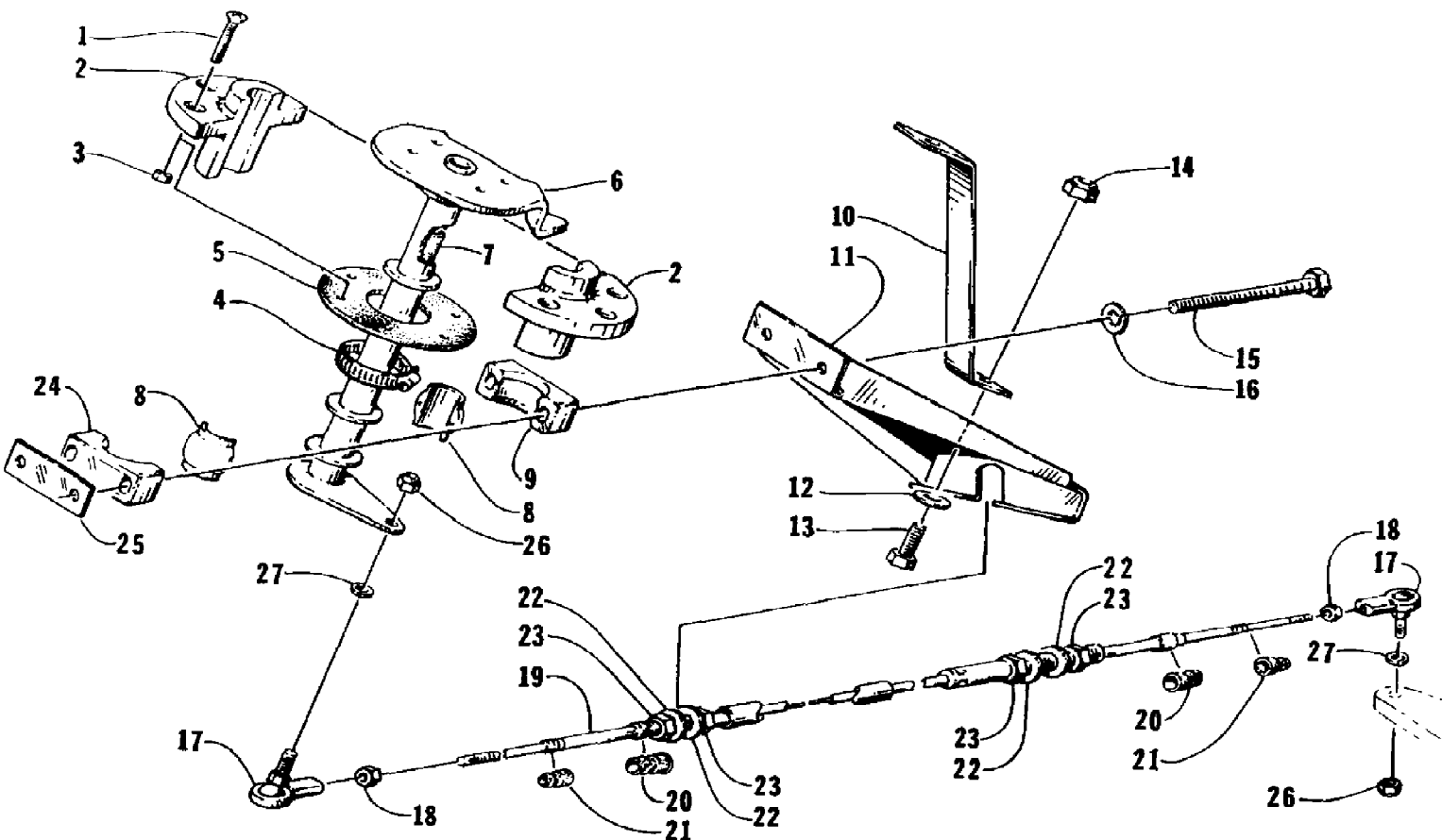


1994 MONTE CARLO (0672-008-1994)
STARTER MOTOR

Page 44 of 50

Ref #	Part Number	Qty	S/P/F	Description
1	3008-093	1	S	Starter Motor Ass'y (inc. 2-11)
2	3008-094	1	/P	. Terminal Set, Brush (inc. 3)
3	3008-164	1		.. O-Ring
4	3008-095	1	/P	. Holder Set, Brush (inc. 5)
5	3008-096	4		.. Spring, Brush
6	3008-097	1	S	. Front Bracket Ass'y (inc. 7)
7	3008-098	1	S	.. O-Ring
8	3008-099	2		. Washer Set
9	3008-101	2	S	. O-Ring
10	3008-103	1		. Armature
11	3008-102	2		. Cap, Screw
12	3008-104	1	S	Pinion Ass'y
13	3008-009	2		Screw, Cap
14	3008-014	1		Nut
15	3008-020	1		Washer
16	3008-165	1	/P	Relay
17	3008-140	1		Bracket
18	3008-217	1		Screw, Cap
19	3008-135	1	S	Tube
20	3008-193	2	S	Washer
21	3008-221	1		Washer

1994 MONTE CARLO (0672-008-1994)
STEERING POST ASSEMBLY



1994 MONTE CARLO (0672-008-1994)
STEERING POST ASSEMBLY

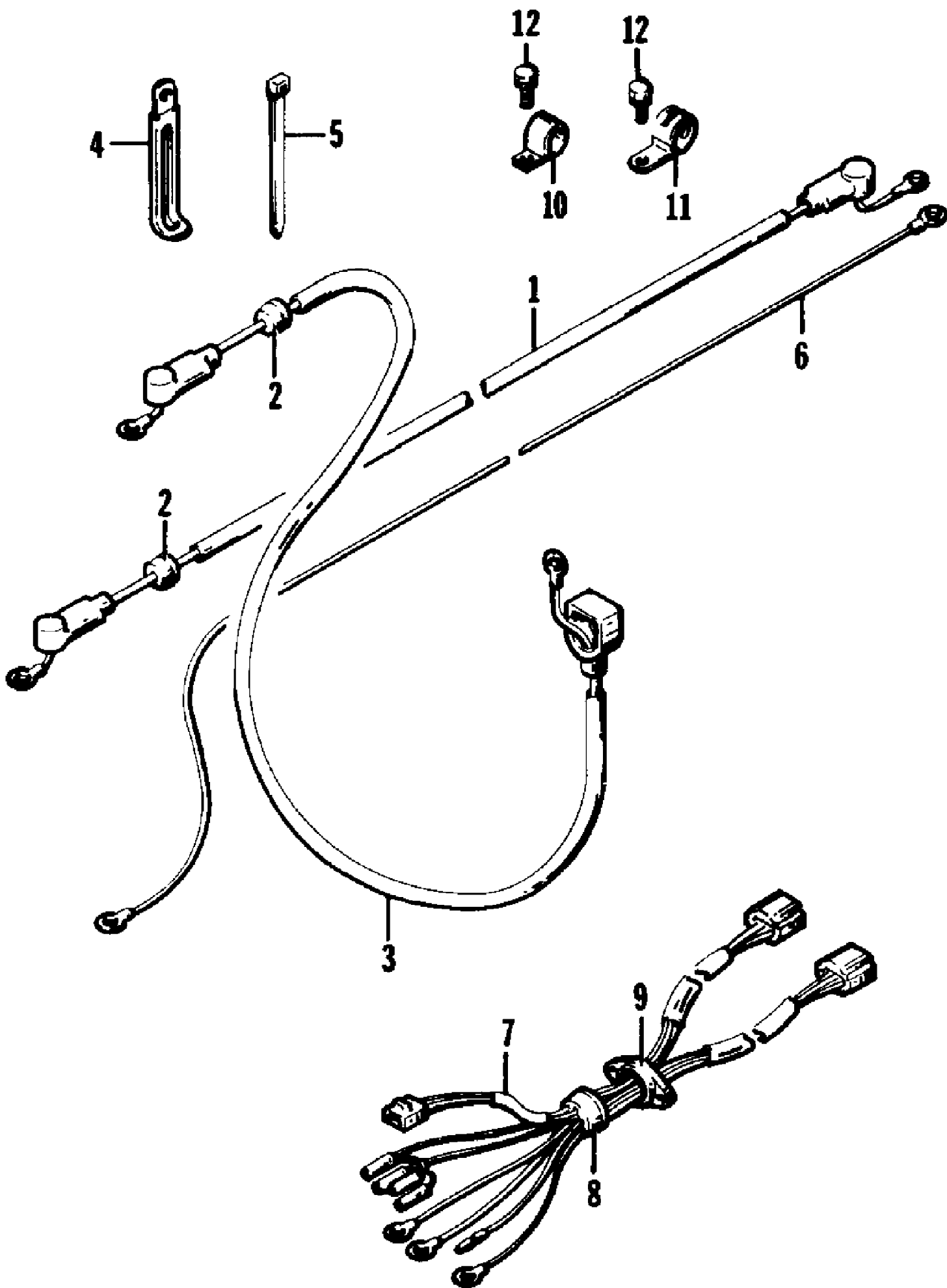
Page 46 of 50

Ref #	Part Number	Qty	S/P/F	Description
1	0624-186	6		Screw, Machine
2	0673-122	2		Bearing, Half-Steering Post
3	0624-021	6		Nut, Lock
4	0624-037	1		Clamp
5	0673-056	1		Seal, Bearing
6	0773-096	1	/P	Post, Steering
7	0619-182	0		Foam, Neoprene Tape
8	0605-149	2		Bearing, Steering Post
9	0605-171	2		Housing, Bearing
10	0673-457	1		Bracket, Support
11	0773-095	1	/P	Bracket, Steering Cable
12	0624-125	1	/P	Washer
13	0624-229	1		Screw, Cap
14	0624-090	1		Nut, Lock
15	0624-192	2		Screw, Cap
16	0624-028	2		Washer, Lock
17	0673-028	2		End, Steering Cable
18	0624-107	2		Nut, Jam
19	0673-205	1	S	Cable, Steering
20	0612-363	2		Seal, Rod
21	0612-364	2		Seal, Steering Cable
22	0624-106	4		Washer
23	0624-105	4		Nut, Jam
24	0705-064	1	/P	Housing, Bearing
25	0673-366	1		Spacer, Bearing Housing
26	0624-114	2		Nut, Lock
27	0624-115	2		Washer, Lock

1994 MONTE CARLO (0672-008-1994)
WATER FILTER ASSEMBLY

Page 48 of 50

Ref #	Part Number	Qty	S/P/F	Description
1	0623-365	7		Clamp
2	0610-083	0	S	Hose
3	0610-183	0		Hose, Water
4	0624-016	6		Clamp
5	0673-422	1		Filter, Water Ass'y (inc. 6-9)
6	0624-234	1		. Screw, Machine
7	0673-513	1		. Cover
8	0673-514	1		. O - Ring
9	0673-515	1		. Screen
10	0624-021	2		Nut, Lock
11	0624-069	2		Rivet
12	0673-372	1		Bracket, Mounting
13	3008-235	1		Clamp
14	0610-182	2	S	Fitting, Elbow
15	0624-222	2		Washer
16	0624-117	1		Nut
17	0673-022	1		Fitting Hull
18	0670-118	1		Outlet, Oil Tank
19	0610-162	1		Hose, Formed
20	0673-484	1		T - Connection
21	0673-523	1		T - Connection
22	0624-004	2		Washer
23	0673-513	1		O - Ring



1994 MONTE CARLO (0672-008-1994)
WIRING HARNESS

Page 50 of 50

Ref #	Part Number	Qty	S/P/F	Description
1	3008-130	1		Cable, Starter Motor (inc. 2)
2	3008-115	2		. Grommet
3	3008-131	1		Cable, Battery
4	3008-157	1		Clamp
5	3008-044	2		Tie, Cable
6	3008-154	1		Cable, Ground
7	3008-248	1		Harness, Wiring (inc. 8-9)
8	3008-117	1		. Grommet
9	3008-126	1		. Holder, Grommet
10	3008-041	1		Clamp
11	3008-042	1		Clamp
12	3008-006	2		Screw, Cap