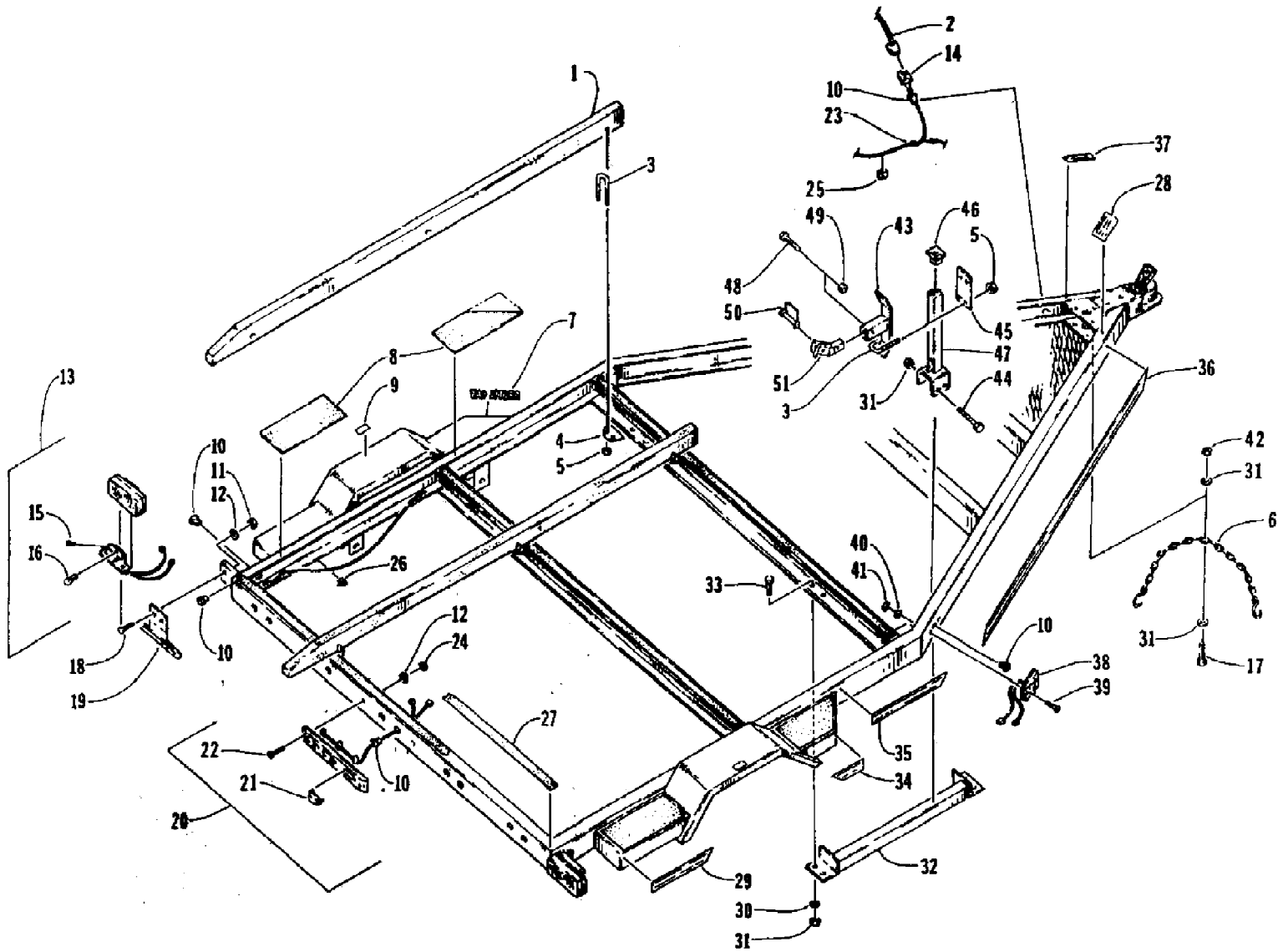


1993 TRAILER, TWO PLACE (0695-030-1993)
FRAME AND RELATED PARTS ASSEMBLIES



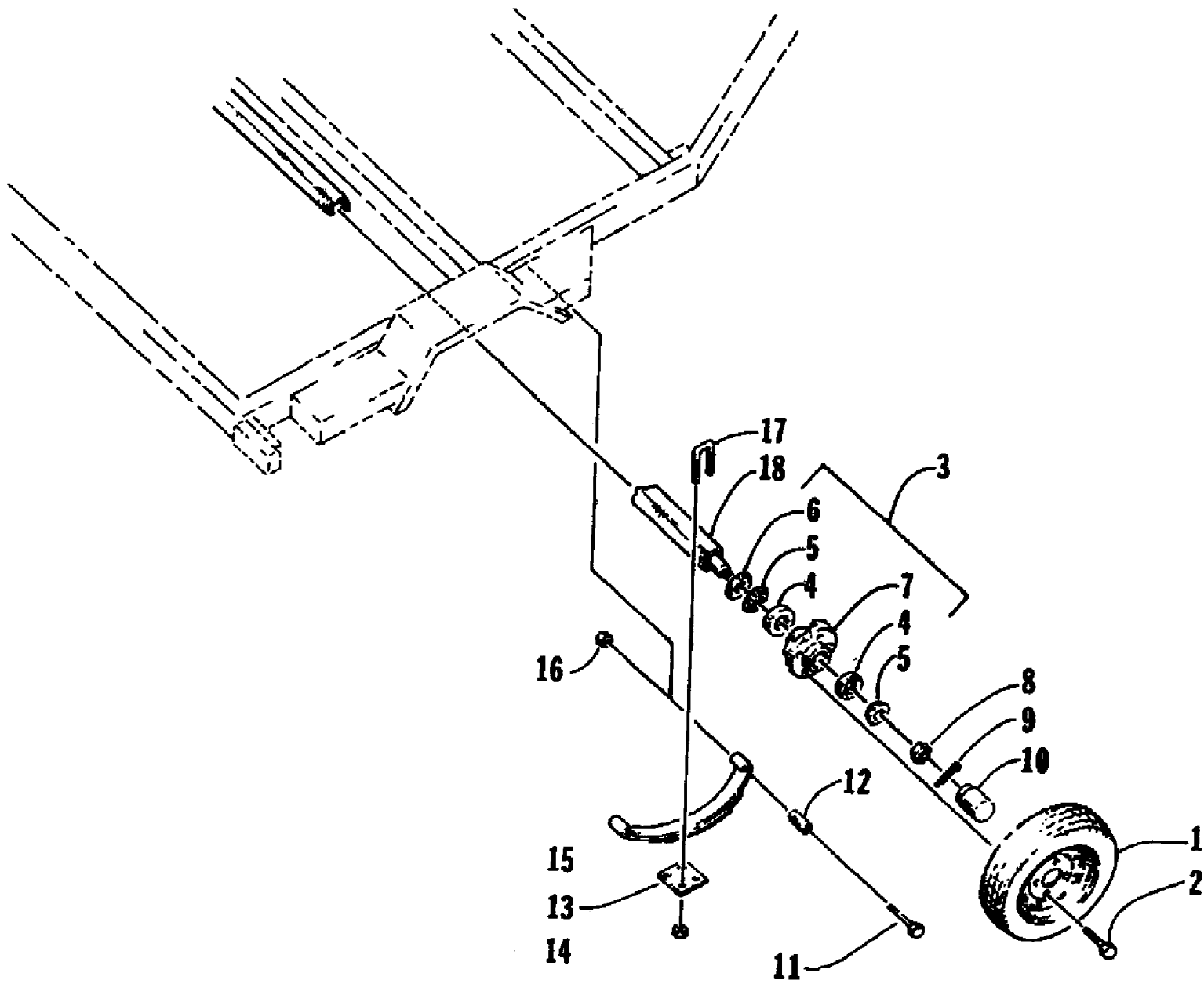
1993 TRAILER, TWO PLACE (0695-030-1993)
FRAME AND RELATED PARTS ASSEMBLIES

Page 2 of 5

Ref #	Part Number	Qty	S/P/F	Description
1	0696-218	4		RUNNER ASS'Y
2	0696-086	1	/P	CONNECTOR, TRUNK- 4'
3	0696-229	16		U- BOLT, SQUARE
4	0696-224	12		CLAMP
5	0696-045	1	/P	CHAIN, SAFETY
6	1611-624	2		DECAL, "ARCTIC CAT"
8	0615-001	4	/P	DECAL, FOOTGRIP
9	0615-004	3		DECAL, IMPORTANT- NUTS/BOLTS
10	0696-085	8		GROMMET, 5/8"
11	8042-366	4	S	NUT
12	8051-217	6		WASHER, LOCK
13	0696-216	1		TAILLIGHT ASS'Y- RIGHT (INC. 15, 16)
13	0696-217	1		TAILLIGHT ASS'Y- LEFT (INC. 15, 16)
14	0696-036	1		HARNES, WIRING- 18'
15	0230-020	2	/P	BULB
16	0109-460	2	/P	BULB, STOP & TAILLIGHT
17	8002-225	1	/P	SCREW, CAP
18	8011-042	4		BOLT, CARRIAGE
19	0696-159	1		BRACKET, LICENSE PLATE
20	0696-215	1		BAR, THREE- LIGHT ASS'Y
21	0696-236	3		. LAMP, THREE- LIGHT BAR
22	8009-370	2		SCREW, MACHINE
23	0696-082	7		SCOTCHLOCK
24	8042-246	2	/P	NUT
25	0696-225	4		CLIP, RETAINING
26	0696-084	20		CLIP, RETAINING
27	0615-005	3		DECAL, FOOT GRIP- CROSS BAR
28	0615-006	1		DECAL, CAUTION- BALL HITCH
29	1611-622	1	/P	DECAL, FENDER- REAR RIGHT
29	1611-623	1	/P	DECAL, FENDER- REAR LEFT
30	8050-277	8	/P	WASHER, FLAT
31	8040-486	2	/P	NUT, LOCK
32	0696-237	2		BAR, CROSS- BOW STOP
33	8002-220	8	/P	SCREW, CAP
34	1611-620	1	/P	DECAL, FENDER- FRONT RIGHT
34	1611-621	1		DECAL, FENDER- FRONT LEFT
35	1611-614	1		DECAL, FRAME- REAR RIGHT
35	1611-615	1		DECAL, FRAME- REAR LEFT
36	1611-612	1		DECAL, FRAME- FRONT RIGHT
36	1611-613	1		DECAL, FRAME- FRONT LEFT
37	0615-007	1		DECAL, CAUTION- SAFETY
38	0696-152	2	/P	LIGHT, SIDE- CLEARANCE
39	8009-192	4		SCREW, MACHINE
40	8050-097	4		WASHER
41	8042-126	4		NUT
42	8042-486	1	/P	NUT
43	0696-221	2		BOW STOP, "Y" NOSE WELDMENT
44	8002-234	4		SCREW, CAP
45	0696-239	2		PLATE, BACKING- BOW STOP
46	0696-240	2		PLUG, UPRIGHT
47	0696-220	2		UPRIGHT, BOW STOP
48	8002-047	2		SCREW, CAP
49	8040-366	2		NUT

1993 TRAILER, TWO PLACE (0695-030-1993)
FRAME AND RELATED PARTS ASSEMBLIES

Ref #	Part Number	Qty	S/P/F	Description
50	0696-226	2		PIN, SNAP- LOCK
51	0696-227	2		STOP, "Y" BOW



1993 TRAILER, TWO PLACE (0695-030-1993)
WHEEL AND AXLE ASSEMBLY

Page 5 of 5

Ref #	Part Number	Qty	S/P/F	Description
1	0696-180	2		WHEEL W/TIRE
2	0696-047	8		BOLT, LUG
3	0696-020	2		HUB ASS'Y (INC. 4-7)
4	0696-033	4		. RACE
5	0696-032	4		. BEARING
6	0696-034	2		. SEAL
7	0696-041	2		. HUB (INC. 4)
8	0696-031	2		NUT, AXLE
9	0696-222	2		PIN, COTTER
10	0696-030	2		CAP, DUST
11	0696-021	4	/P	BOLT, SHACKLE
12	0696-242	4		SLEEVE
13	0696-104	2		PLATE, U- BOLT
14	0696-046	8		NUT, LOCK
15	0696-228	2		SPRING, LEAF- THREE
16	0696-022	4		NUT, LOCK
17	0696-043	4		U- BOLT, SQUARE
18	0696-214	1		BEAM, AXLE- W/SPINDLES