

1993 TRAILER, ONE PLACE (0695-029-1993)
 FRAME AND RELATED PARTS ASSEMBLIES

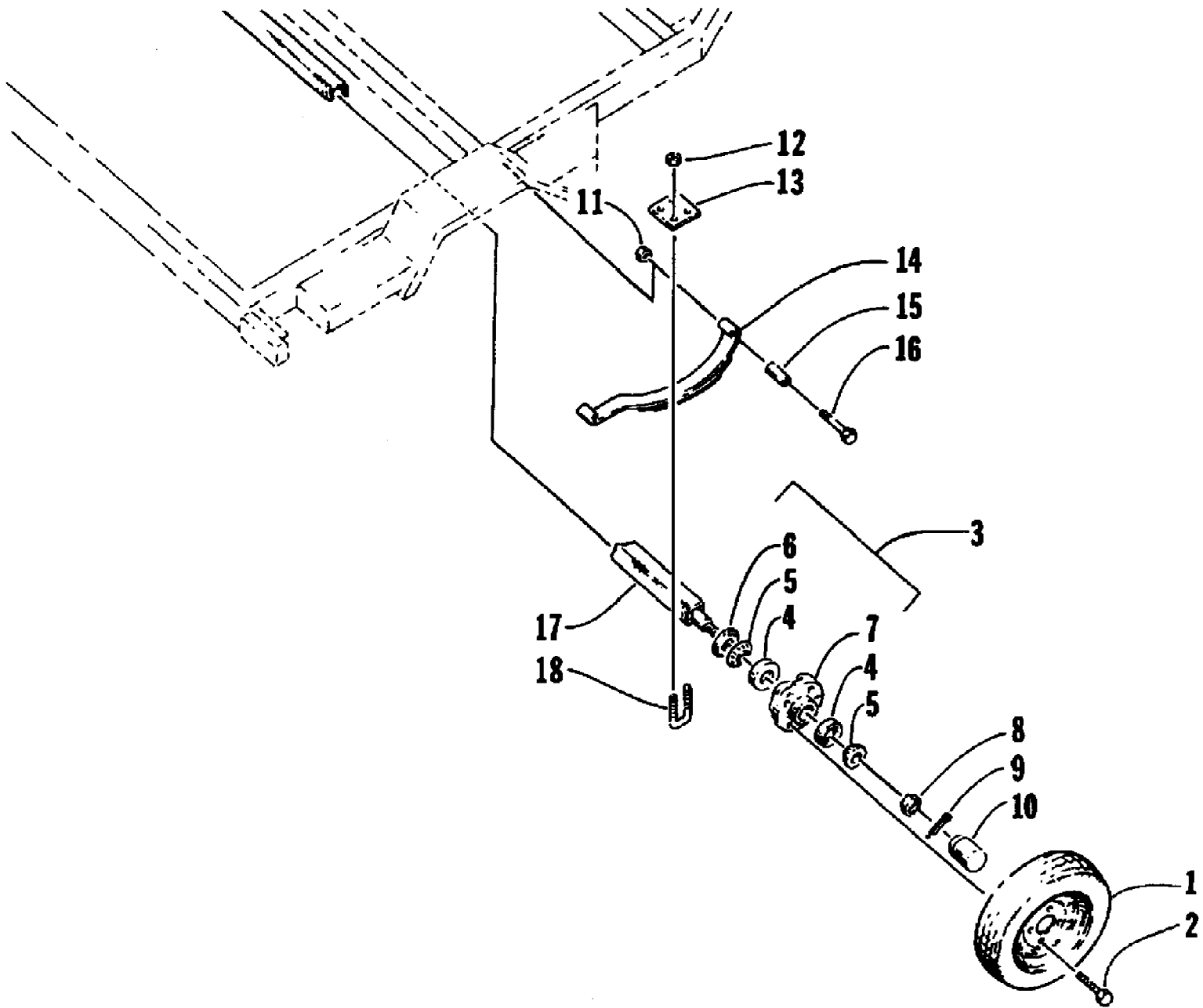
Page 2 of 5

Ref #	Part Number	Qty	S/P/F	Description
1	0696-218	2		RUNNER ASS'Y (INC. 2-5)
2	8040-366	1	/P	NUT, LOCK
3	0696-229	8		U- BOLT, SQUARE
4	0696-224	6		CLAMP, HOLDOWN
5	8040-516	16	/P	NUT, LOCK
6	0615-001	4	/P	GRIP, FOOT
7	0696-221	1		STOP, BOW- "Y" NOSE
8	0696-226	1		PIN, SNAP- LOCK
9	0615-004	3		DECAL, IMPORTANT- NUTS/BOLTS
10	1611-624	2		DECAL, "ARCTIC CAT"
11	0696-082	7		SCOTCHLOCK
12	0696-085	14		GROMMET
13	8042-366	4	S	NUT
14	8051-217	6		WASHER, LOCK
15	0696-216	1		TAILLIGHT ASS'Y- RIGHT (INC. 17, 18)
15	0696-217	1		TAILLIGHT ASS'Y- LEFT (INC. 17, 18)
16	8002-047	1		SCREW, CAP
17	0230-020	2	/P	. BULB
18	0109-460	2	/P	. BULB, STOP & TAILLIGHT
19	0696-239	1		PLATE, UPRIGHT
20	0696-159	1		BRACKET, LICENSE PLATE
21	0696-215	1		BAR, THREE LIGHT ASS'Y (INC. 22)
22	0696-236	3		. LAMP, THREE- LIGHT BAR
23	8009-370	2		SCREW, MACHINE
24	0696-240	1		PLUG, UPRIGHT
25	8011-042	4		BOLT, CARRIAGE
26	0696-084	20		CLIP, RETAINING
27	8042-246	2	/P	NUT
28	8002-234	2		SCREW, CAP
29	0615-005	3		GRIP, FOOT- CROSSBAR
30	1611-622	1	/P	DECAL, FENDER- REAR RIGHT
30	1611-623	1	/P	DECAL, FENDER- REAR LEFT
31	8050-277	6	/P	WASHER
32	8040-486	6	/P	NUT, LOCK
33	0696-249	1		BAR, CROSS- BOW STOP
34	1611-620	1	/P	DECAL, FENDER- FRONT RIGHT
34	1611-621	1		DECAL, FENDER- FRONT LEFT
35	1611-618	1	/P	DECAL, FRAME- REAR RIGHT
35	1611-619	1	/P	DECAL, FRAME- REAR LEFT
36	8002-220	4	/P	SCREW, CAP
37	8050-097	4		WASHER, LOCK
38	8042-126	4		NUT
39	0696-152	2	/P	LIGHT, SIDE- CLEARANCE
40	8009-192	4		SCREW, MACHINE
41	1611-616	1	/P	DECAL, FRAME- FRONT RIGHT
41	1611-617	1	/P	DECAL, FRAME- FRONT LEFT
42	0615-006	1		DECAL, CAUTION- BALL HITCH
43	0615-007	1		DECAL, CAUTION- SAFETY
44	8002-225	1	/P	SCREW, CAP
45	0696-220	1		UPRIGHT BOW STOP
46	0696-045	1	/P	CHAIN, SAFETY
47	8042-486	1	/P	NUT, LOCK
48	0696-086	1	/P	CONNECTOR, TRUNK

1993 TRAILER, ONE PLACE (0695-029-1993)
FRAME AND RELATED PARTS ASSEMBLIES

Ref #	Part Number	Qty	S/P/F	Description
49	0696-036	1		HARNESS, WIRING
50	0696-227	1		STOP, "Y"- BOW

1993 TRAILER, ONE PLACE (0695-029-1993)
WHEEL ASSEMBLY



1993 TRAILER, ONE PLACE (0695-029-1993)
WHEEL ASSEMBLY

Page 5 of 5

Ref #	Part Number	Qty	S/P/F	Description
1	0696-181	2		WHEEL
2	0696-047	8		BOLT, LUG
3	0696-020	2		HUB ASS'Y (INC. 4-7)
4	0696-033	4		. RACE
5	0696-032	4		. BEARING
6	0696-034	2		. SEAL, GREASE
7	0696-041	2		. HUB (INC. 4)
8	0696-031	2		NUT, AXLE
9	0696-222	2		PIN, COTTER
10	0696-030	2		CAP, DUST
11	0696-022	4		NUT, LOCK
12	0696-046	8		NUT, LOCK
13	0696-104	2		PLATE, U-BOLT
14	0696-250	2		SPRING, LEAF- THREE
15	0696-242	4		SLEEVE
16	0696-021	4	/P	BOLT, SHACKLE
17	0696-214	1		BEAM, AXLE- W/SPINDLES
18	0696-043	4		U- BOLT, SQUARE