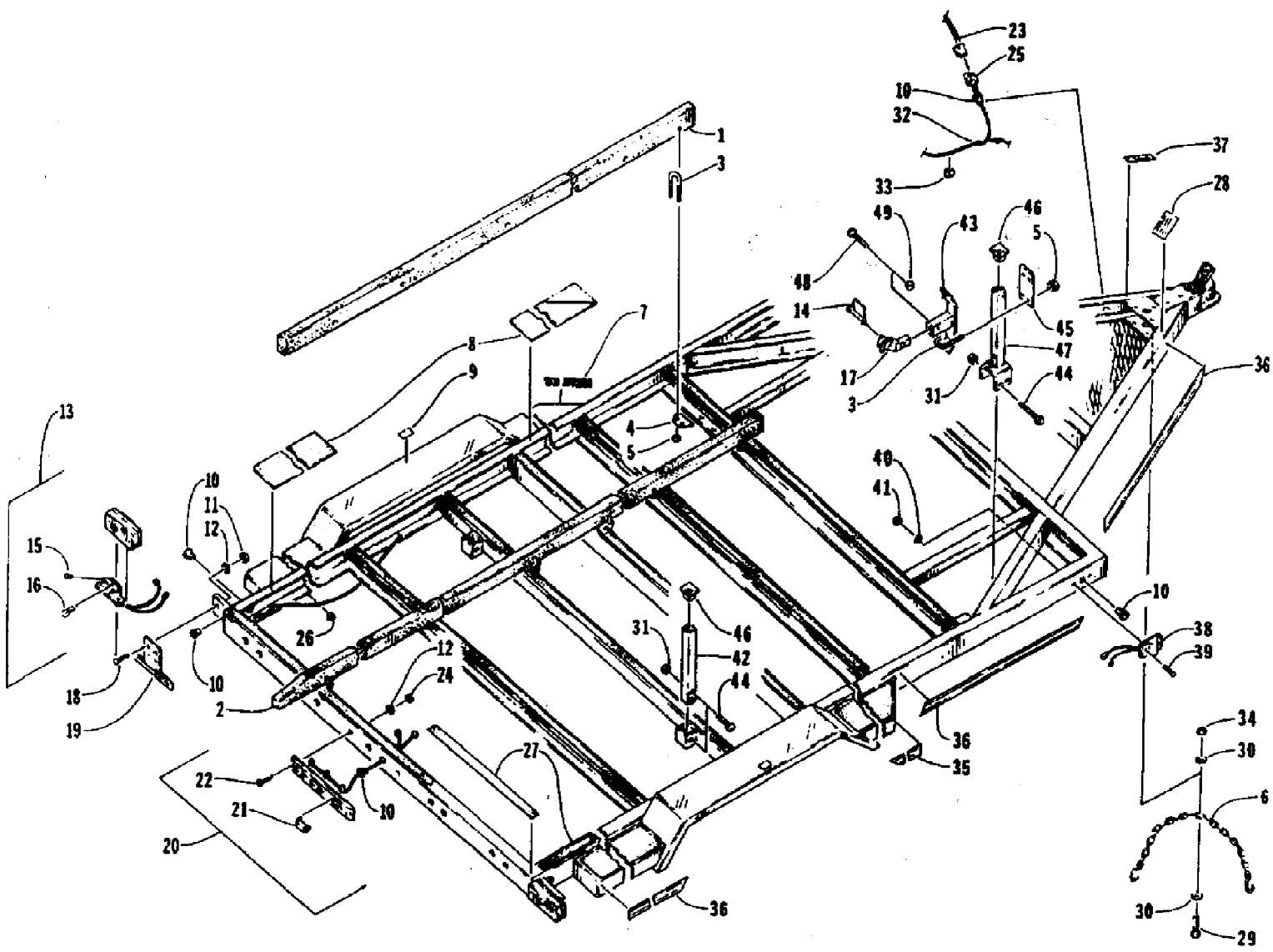


1993 TRAILER, FOUR PLACE (0695-033-1993)
FRAME AND RELATED PARTS ASSEMBLIES

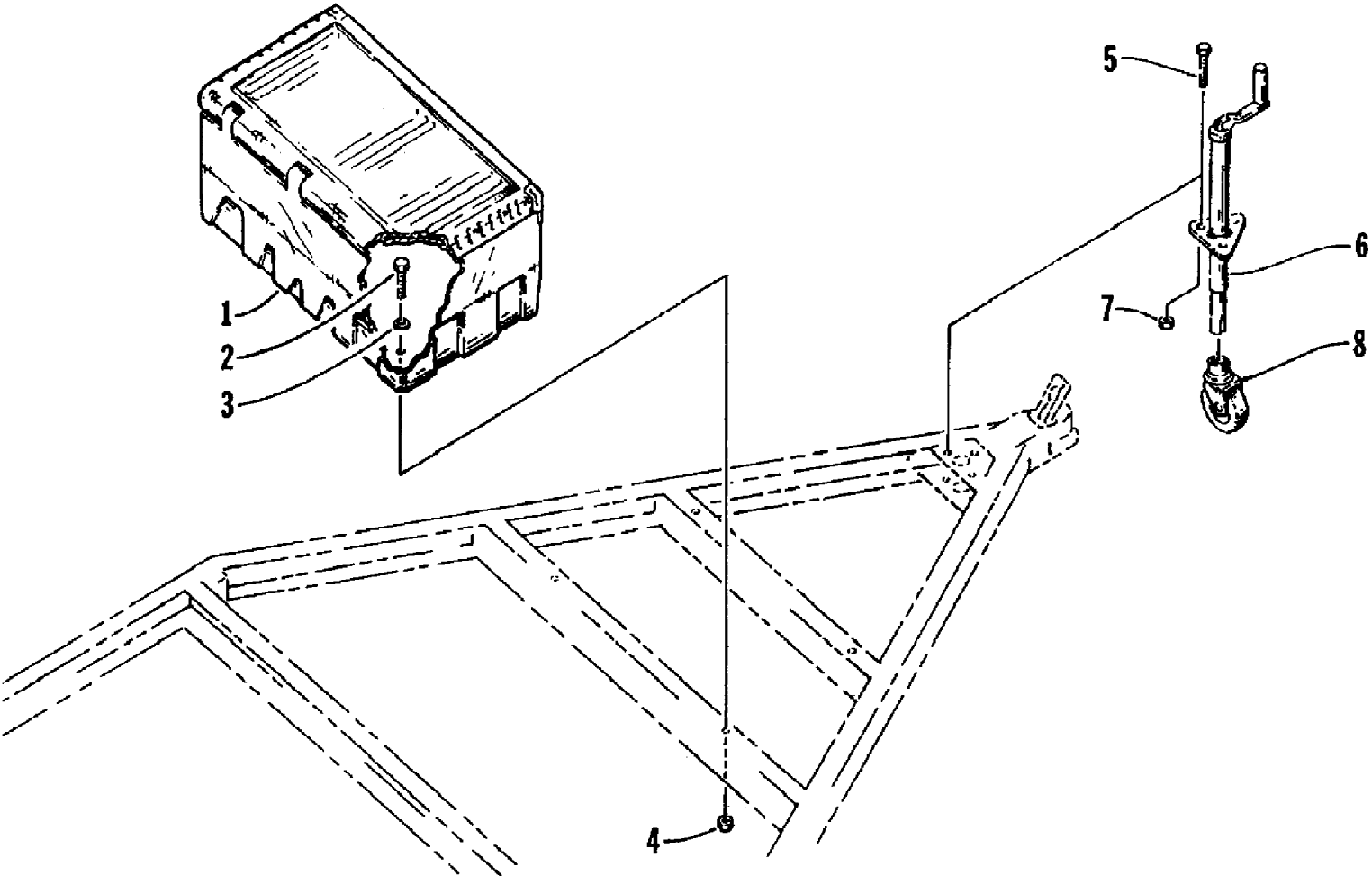


1993 TRAILER, FOUR PLACE (0695-033-1993)
FRAME AND RELATED PARTS ASSEMBLIES

Page 2 of 6

Ref #	Part Number	Qty	S/P/F	Description
1	0696-251	4		RUNNER ASS'Y
2	0696-218	4		RUNNER ASS'Y- SHORT (INC. 3)
3	0696-229	36		. U BOLT, SQUARE
4	0696-224	24		CLAMP
5	8040-516	72	/P	NUT, LOCK
6	0696-045	1	/P	CHAIN, SAFETY
7	1611-624	2		DECAL, "ARCTIC CAT"
8	0615-001	4	/P	DECAL, FOOT GRIP
9	0615-004	3		DECAL, IMPORTANT- NUTS/BOLTS
10	0696-085	8		GROMMET, 5/8"
11	8042-366	4	S	NUT
12	8051-217	6		WASHER, LOCK
13	0696-216	1		TAILLIGHT ASS'Y- RIGHT (INC. 15, 16)
13	0696-217	1		TAILLIGHT ASS'Y- LEFT (INC. 15, 16)
14	0696-226	4		PIN, SNAP- LOCK
15	0230-020	2	/P	. BULB, TURN SIGNAL
16	0109-460	2	/P	. BULB, STOP & TAILLIGHT
17	0696-227	4		STOP, "Y" BOW
18	8011-042	4		BOLT, CARRIAGE
19	0696-159	1		BRACKET, LICENSE PLATE
20	0696-215	1		BAR, THREE-LIGHT ASS'Y (INC. 21)
21	0696-236	3		. LAMP, THREE- LIGHT BAR
22	8009-370	2		SCREW, MACHINE
23	0696-086	1	/P	CONNECTOR, TRUNK- 4'
24	8042-246	2	/P	NUT
25	0696-036	1		HARNES, WIRING- 18'
26	0696-084	20		CLIP, RETAINING
27	0615-005	9		DECAL, FOOT GRIP- CROSS BAR
28	0615-006	1		DECAL, CAUTION- BALL HITCH
29	8002-225	1	/P	SCREW, CAP
30	8050-277	2	/P	WASHER, FLAT
31	8040-486	6	/P	NUT, LOCK
32	0696-082	7		SCOTCHLOCK
33	0696-225	4		CLIP, RETAINING
34	8042-486	1	/P	NUT
35	1611-613	4		DECAL, FRAME
36	1611-612	4		DECAL, FRAME
37	0615-007	1		DECAL, CAUTION- SAFETY
38	0696-152	2	/P	LIGHT, SIDE- CLEARANCE
39	8009-192	4		SCREW, MACHINE
40	8050-097	4		WASHER
41	8042-126	4		NUT
42	0696-252	2		UPRIGHT, BOW STOP
43	0696-221	4		BOW STOP, "Y" NOSE
44	8002-234	6		SCREW, CAP
45	0696-239	4		PLATE, BACKING- BOW STOP
46	0696-240	4		PLUG, UPRIGHT
47	0696-220	2		UPRIGHT, BOW STOP
48	8002-047	4		SCREW, CAP
49	8040-366	4	/P	NUT, LOCK

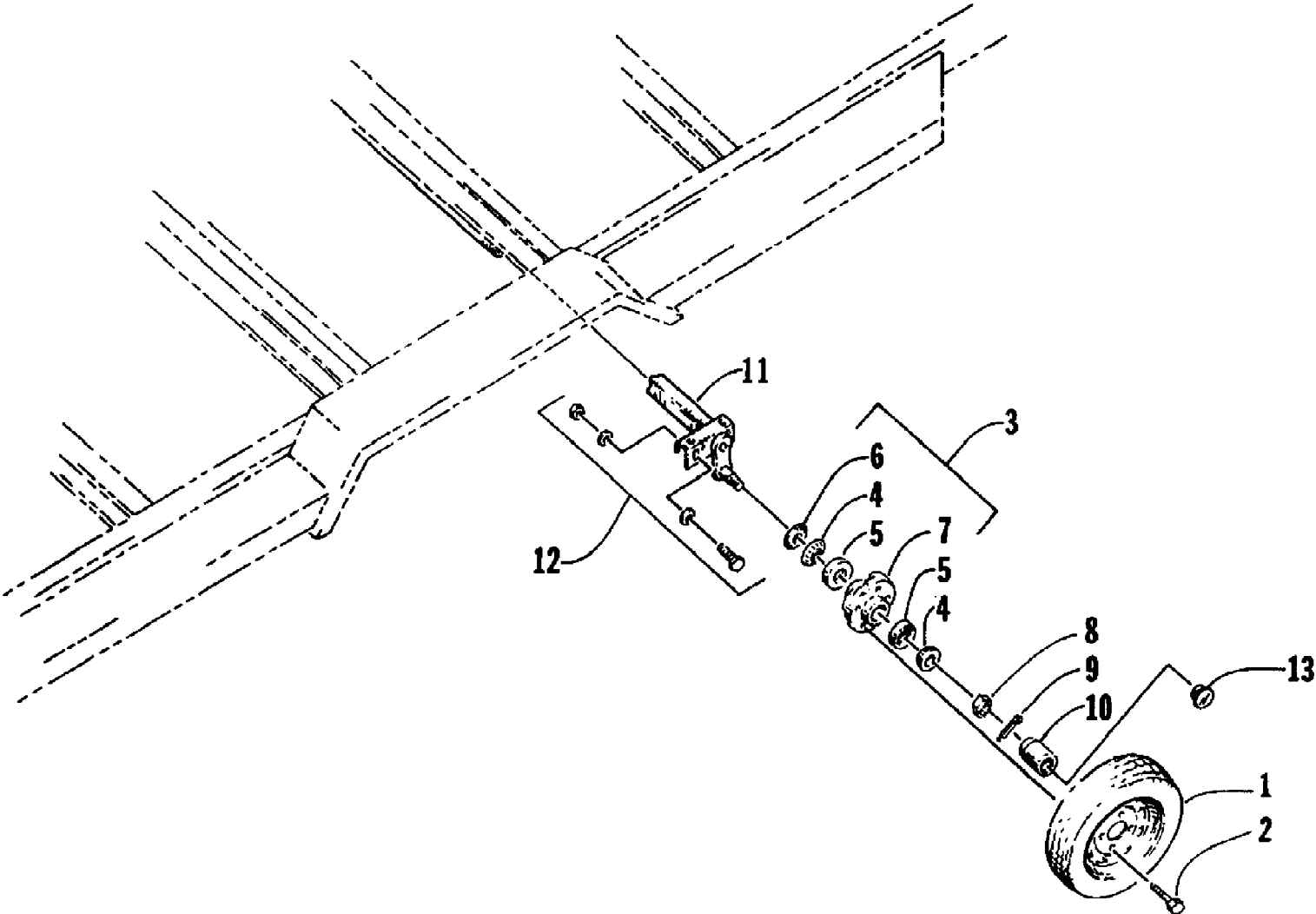
1993 TRAILER, FOUR PLACE (0695-033-1993)
STORAGE BOX AND CASTOR ASSEMBLY



1993 TRAILER, FOUR PLACE (0695-033-1993)
STORAGE BOX AND CASTOR ASSEMBLY

Page 4 of 6

Ref #	Part Number	Qty	S/P/F	Description
1	0696-245	1		BOX, STORAGE
2	8002-040	4	/P	SCREW, CAP
3	8050-217	4	/P	WASHER
4	8040-396	4		NUT, LOCK
5	8002-222	3	/P	SCREW, CAP
6	0696-050	1		JACK
7	8040-486	3	/P	NUT, LOCK
8	0696-051	1		CASTER, 2"



1993 TRAILER, FOUR PLACE (0695-033-1993)
WHEEL ASSEMBLY

Page 6 of 6

Ref #	Part Number	Qty	S/P/F	Description
1	0696-247	4		WHEEL
2	0696-047	16		BOLT, LUG
3	0696-020	4		HUB ASS'Y (INC. 4-7)
4	0696-032	8		. BEARING
5	0696-033	8		. RACE
6	0696-034	4		. SEAL, GREASE
7	0696-041	4		. HUB (INC. 5)
8	0696-031	4		NUT. AXLE
9	0696-222	4		PIN, COTTER
10	0696-253	4		CAP, DUST
11	0696-248	2		BEAM, AXLE- TORQUE
12	0696-254	8		SCREW W/WASHERS AND NUT
13	0696-255	4		PLUG, RUBBER